

PORTABLE PA SYSTEM STAGEPAS 500

SERVICE MANUAL



Speaker



Mixer



Speaker

■ CONTENTS (目次)

SPECIFICATIONS (総合仕様)	3
PANEL LAYOUT (パネルレイアウト)	4
DIMENSIONS (寸法図)	4
CIRCUIT BOARD LAYOUT (ユニットレイアウト)	5
DISASSEMBLY PROCEDURE (分解手順)	6
LSI PIN DESCRIPTION (LSI端子機能表)	16
IC BLOCK DIAGRAM (ICブロック図)	18
CIRCUIT BOARDS (シート基板図)	19
INSPECTIONS (検査)	27
ADJUSTMENT OF AMPLIFIER UNIT (アンプユニットの調整)	30
FACTORY SETTING (出荷時の設定)	30
TROUBLE SHOOTING (トラブルシューティング)	31
PARTS LIST	
BLOCK DIAGRAM (ブロックダイアグラム)	
CIRCUIT DIAGRAM (回路図)	

IMPORTANT NOTICE

This manual has been provided for the use of authorized Yamaha Retailers and their service personnel. It has been assumed that basic service procedures inherent to the industry, and more specifically Yamaha Products, are already known and understood by the users, and have therefore not been restated.

WARNING : Failure to follow appropriate service and safety procedures when servicing this product may result in personal injury, destruction of expensive components and failure of the product to perform as specified. For these reasons, we advise all Yamaha product owners that all service required should be performed by an authorized Yamaha Retailer or the appointed service representative.

IMPORTANT : This presentation or sale of this manual to any individual or firm does not constitute authorization certification, recognition of any applicable technical capabilities, or establish a principal-agent relationship of any form.

The data provided is believed to be accurate and applicable to the unit(s) indicated on the cover. The research engineering, and service departments of Yamaha are continually striving to improve Yamaha products. Modifications are, therefore, inevitable and changes in specification are subject to change without notice or obligation to retrofit. Should any discrepancy appear to exist, please contact the distributor's Service Division.

WARNING : Static discharges can destroy expensive components. Discharge any static electricity your body may have accumulated by grounding yourself to the ground bus in the unit (heavy gauge black wires connect to this bus.)

IMPORTANT : Turn the unit OFF during disassembly and parts replacement. Recheck all work before you apply power to the unit.

WARNING: CHEMICAL CONTENT NOTICE!

The solder used in the production of this product contains LEAD. In addition, other electrical/electronic and/or plastic (Where applicable) components may also contain traces of chemicals found by the California Health and Welfare Agency (and possibly other entities) to cause cancer and/or birth defects or other reproductive harm.

DO NOT PLACE SOLDER, ELECTRICAL/ELECTRONIC OR PLASTIC COMPONENTS IN YOUR MOUTH FOR ANY REASON WHAT SO EVER!


Avoid prolonged, unprotected contact between solder and your skin! When soldering, do not inhale solder fumes or expose eyes to solder/flux vapor!

If you come in contact with solder or components located inside the enclosure of this product, wash your hands before handling food.

IMPORTANT NOTICE FOR THE UNITED KINGDOM Connecting the Plug and Cord

WARNING: THIS APPARATUS MUST BE EARTHED
IMPORTANT. The wires in this mains lead are coloured in accordance with the following code:
GREEN-AND-YELLOW : EARTH
BLUE : NEUTRAL
BROWN : LIVE


As the colours of the wires in the mains lead of this apparatus may not correspond with the coloured markings identifying the terminals in your plug proceed as follows:

The wire which is coloured GREEN-and-YELLOW must be connected to the terminal in the plug which is marked by the letter E or by the safety earth symbol  or colored GREEN or GREEN-and-YELLOW.

The wire which is coloured BLUE must be connected to the terminal which is marked with the letter N or coloured BLACK.

The wire which is coloured BROWN must be connected to the terminal which is marked with the letter L or coloured RED.

■ WARNING

Components having special characteristics are marked  and must be replaced with parts having specification equal to those originally installed.



印の部品は、安全を維持するために重要な部品です。交換する場合は、安全のために必ず指定の部品をご使用ください。

■ SPECIFICATIONS

● General Specifications

Maximum Output Power

250 W+250 W ($\pm 10\%$)/4 Ω @10 % THD at 1 kHz (SPEAKER L/R)
 ≥ 200 W+200 W/4 Ω @1 % THD at 1 kHz (SPEAKER L/R)

Maximum Output Level

116 dB (1 m)

Frequency Response (Nominal output level @ 1 kHz)

-3 dB, 0 dB, +1 dB @20 Hz–20 kHz (MUSIC/SPEECH=MUSIC)
 (MONITOR OUT)
 -3 dB, 0 dB, +1 dB @80 Hz–20 kHz (MUSIC/SPEECH=SPEECH)
 (REC OUT)
 -3 dB, 0 dB, +1 dB @20 Hz–20 kHz, 1 W Output
 (MUSIC/SPEECH=MUSIC, without Speaker EQ)
 (SPEAKERS L/R)

Total Harmonic Distortion

$\leq 0.5\%$ @20 Hz, 1 kHz, 20 kHz, +14 dBu GAIN=nominal
 (MONITOR OUT, REC OUT)

Hum & Noise (Equivalent Input Noise, $R_s=150\ \Omega$, MIC/LINE=MIC)

≤ -106 dBu (CH1/2)
 ≤ -112 dBu (CH3/4)
 ≤ -65 dBu Residual output noise (SPEAKERS L/R)

Crosstalk (1 kHz)

≤ -70 dB between input channels

Phantom Voltage

+15 V (CH1–4)

LIMIT/COMP switch

ON=Comp, OFF=Limit (CH1/2)

Power Consumption

65 W

Weight

24 kg (Speaker x 2 + Powered Mixer)

Stereo Input Channel Equalization

± 15 dB
 HIGH 10 kHz shelving
 LOW 100 Hz shelving

Accessories

Power Cable, Speaker Cable, Owner's Manual

Option

Microphone

● Speakers (500S)

Enclosure

2 way bass-reflex type, Polypropylene, Black

Crossover Frequency

4.0 kHz (LF: 12 dB/oct, HF: 12 dB/oct)

Frequency Range

55 Hz–20 kHz (-10 dB)

Speaker Unit

LF: 10" (25 cm) Cone
 HF: 1" (2.54 cm) Compression Driver

■ 総合仕様

● 一般仕様

最大出力

250W+250W($\pm 10\%$)/4 @10% THD at 1kHz (SPEAKERS L/R)
 200W+200W/4 @1% THD at 1kHz (SPEAKERS L/R)

最大出力音圧レベル

116dB (軸上1m)

周波数特性(ノミナル出力レベル @1kHz)

-3dB, 0dB, +1dB @20Hz ~ 20kHz (MUSIC/SPEECH=MUSIC)
 (MONITOR OUT)
 -3dB, 0dB, +1dB @80Hz ~ 20kHz (MUSIC/SPEECH=SPEECH)
 (REC OUT)
 -3dB, 0dB, +1dB @20Hz ~ 20kHz, 1W出力
 (MUSIC/SPEECH=MUSIC, スピーカEQを除く)
 (SPEAKERS L/R)

全高調波歪率

0.5% @20Hz, 1kHz, 20kHz +14dBu GAIN=すべてノミナル
 (MONITOR OUT, REC OUT)

ハム&ノイズ(入力換算ノイズ, $R_s=150\ \Omega$, MIC/LINEスイッチ=MIC)

-106dBu (CH1/2)
 -112dBu (CH3/4)
 -65dBu 残留ノイズ(SPEAKERS L/R)

クロストーク (1 kHz)

-70 dB 入出力間

ファンタム電源

+15V (CH1-4)

LIMIT/COMP スイッチ

ON=コンプレッサー, OFF=リミッター(CH1/2)

消費電力

65 W

質量

24 kg (スピーカ2台 + ミキサー)

入力チャンネルイコライザー特性

最大可変幅(± 15 dB)
 HIGH: 10kHzシェルピングタイプ
 LOW: 100Hzシェルピングタイプ

付属品

電源ケーブル、スピーカケーブル、取扱説明書、保証書

オプション

マイク

● スピーカ (500S)

エンクロージャー

2-wayバスレフ型, ポリプロピレン, 黒

クロスオーバー周波数

4.0kHz (LF:12dB/oct, HF:12dB/oct)

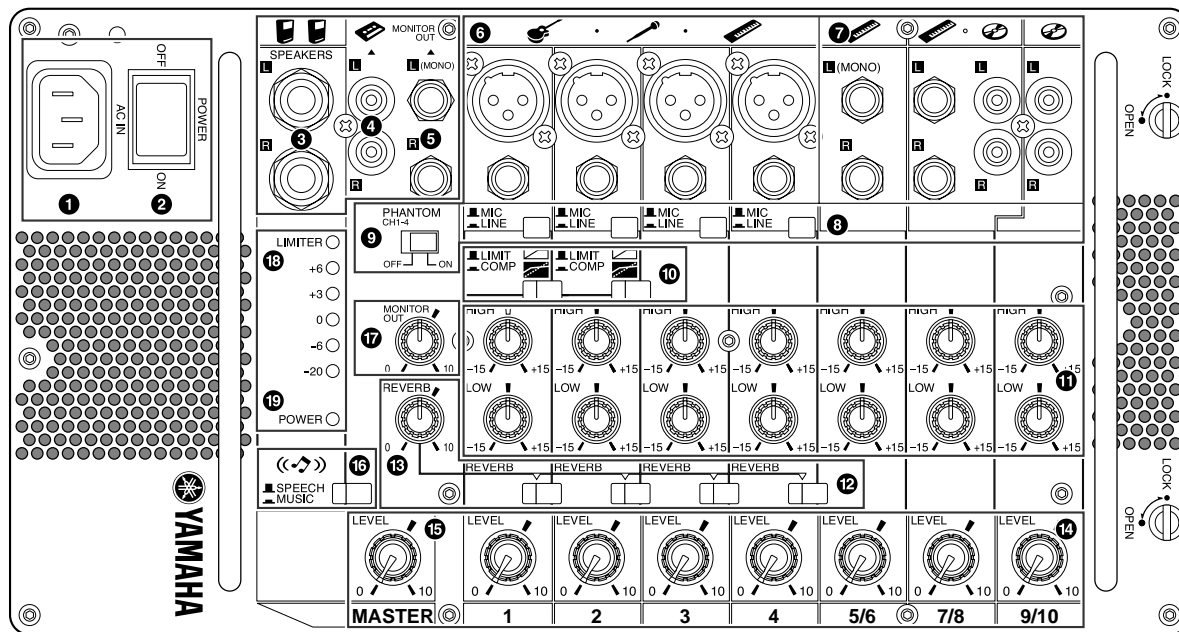
再生周波数帯域

55Hz ~ 20kHz (-10dB)

スピーカユニット

LF: 10" (25 cm) コーン
 HF: 1" (2.54 cm) コンプレッションドライバー

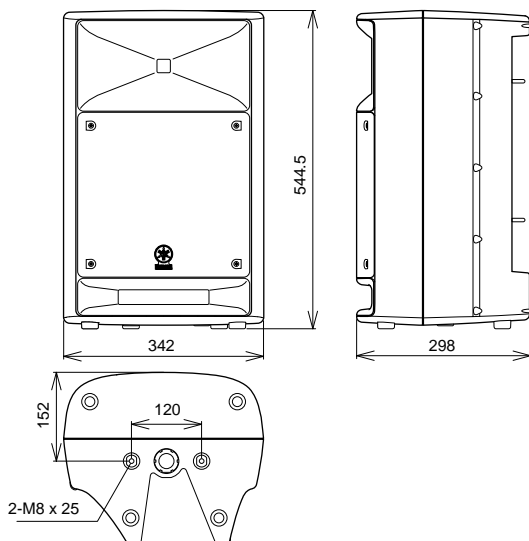
■ PANEL LAYOUT (パネルレイアウト)



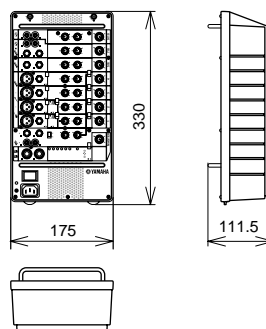
- | | |
|--|---|
| <ul style="list-style-type: none"> ❶ [AC IN] jack ([AC IN]端子) ❷ [POWER] switch ([POWER]スイッチ) ❸ [SPEAKERS L/R] jacks (for included speakers (500S) only)
([SPEAKERS L/R]端子(付属のスピーカ(500S)専用)) ❹ [REC OUT L/R] jacks ([REC OUT L/R]端子) ❺ [MONITOR OUT L(MONO)/R] jacks
([MONITOR OUT L(MONO)/R]端子) ❻ Channel input jacks (CH 1 to 4)
(チャンネル入力端子 (CH 1から4)) ❼ Stereo channel input jacks (CH 5/6, 7/8, 9/10)
(ステレオチャンネル入力端子(CH 5/6, 7/8, 9/10)) ❽ [MIC/LINE] switches ([MIC/LINE]スイッチ) ❾ [PHANTOM] switch ([PHANTOM]切り替えスイッチ) | <ul style="list-style-type: none"> ❿ [LIMIT/COMP] switches ([LIMIT/COMP]スイッチ) ⓫ Equalizer [HIGH]/[LOW] (EQ(イコライザー)) ⓬ [REVERB] switches ([REVERB]スイッチ) ⓭ [REVERB] control ([REVERB]コントロール) ⓮ [LEVEL] controls ([LEVEL]コントロール) ⓯ [MASTER LEVEL] control
([MASTER LEVEL]コントロール) ⓰ [SPEECH/MUSIC] switch
([SPEECH/MUSIC]スイッチ) ⓱ [MONITOR OUT] control
([MONITOR OUT]コントロール) ⓲ [LEVEL] meter ([LEVEL]メーター) ⓳ [POWER] indicator ([POWER]インジケーター) |
|--|---|

■ DIMENSIONS (寸法図)

Speaker
(スピーカ部)

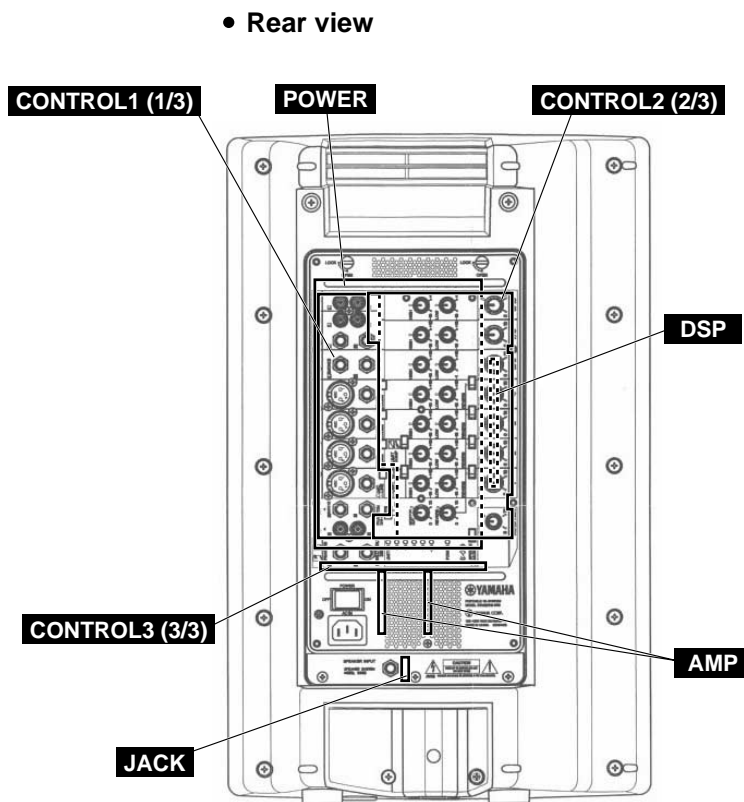
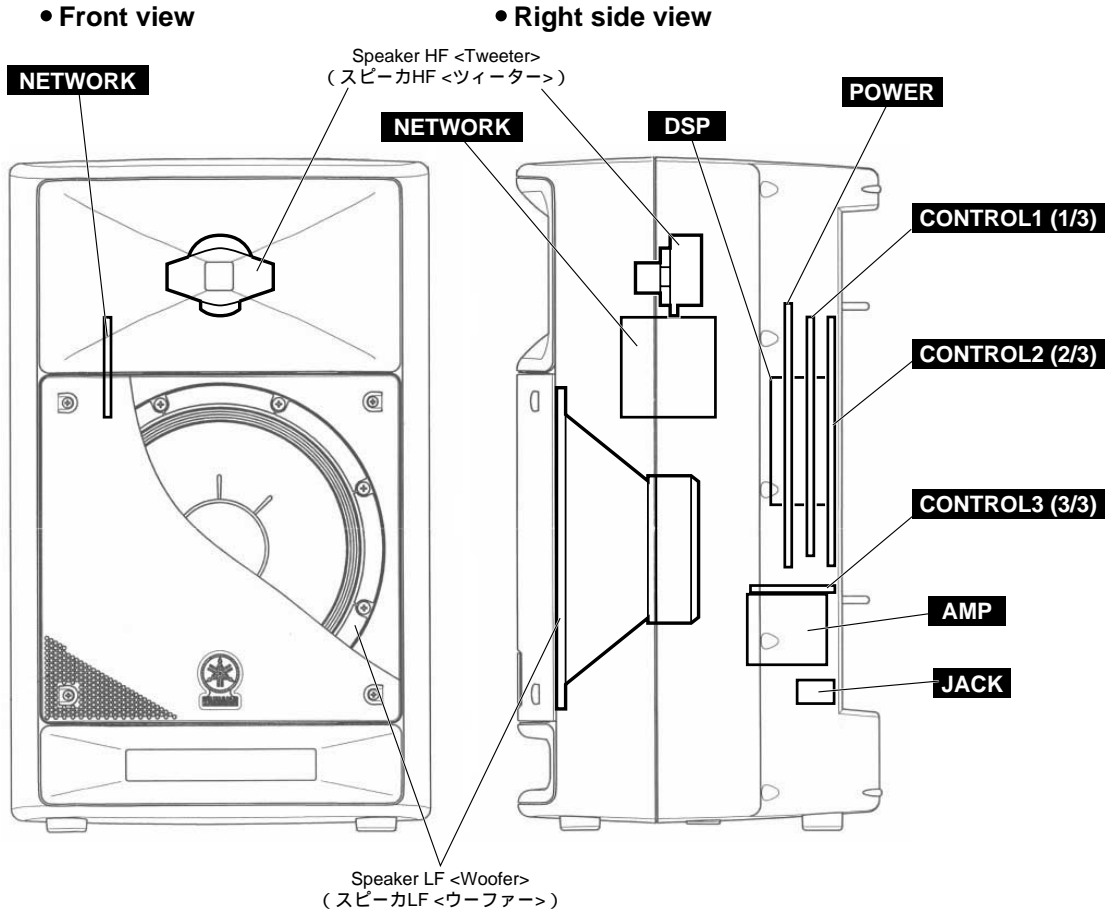


Mixer
(ミキサー部)



Unit: mm
(単位)

■ CIRCUIT BOARD LAYOUT (ユニットレイアウト)



■ DISASSEMBLY PROCEDURE (分解手順)

1. Front Grille Assembly

(Time required: About 1 minute)

- 1-1 Remove the four (4) screws marked [190]. The front grille assembly can then be removed. (Fig. 1)

2. Speaker LF (Woofer)

(Time required: About 2 minutes)

- 2-1 Remove the front grille assembly. (See procedure 1)
 2-2 Remove the eight (8) screws marked [170A]. The speaker LF (woofer) can then be removed. (Fig. 1)
 2-3 Remove the wire LF (red/black) attached to the speaker LF (woofer). (Photo 1)

3. Front Cabinet Unit, Rear Cabinet Unit

(Time required: About 2 minutes)

- 3-1 Remove the fourteen (14) screws marked [150A]. The front cabinet unit and rear cabinet unit can then be separated. (Fig. 1, Fig. 2)
 3-2 Remove the wire LF (red/black) attached to the speaker LF (woofer). (Photo 1)
 3-3 Remove the wire HF (yellow/blue) attached to the speaker HF (tweeter). (Photo 2)

* **Take care not to open the front cabinet unit and rear cabinet unit too wide or the speaker LF (woofer) terminal and speaker HF (tweeter) terminal may be damaged.**

1. フロントグリル Ass'y (所要時間: 約1分)

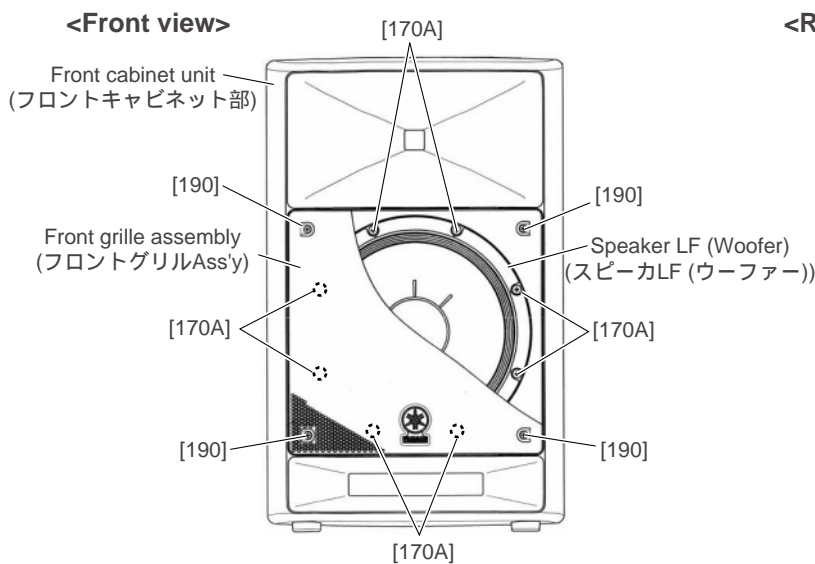
- 1-1 [190]のネジ4本を外して、フロントグリル Ass'yを外します。(図1)

2. スピーカLF(ウーファー) (所要時間: 約2分)

- 2-1 フロントグリル Ass'yを外します。(1項参照)
 2-2 [170A]のネジ8本を外して、スピーカLF(ウーファー)を外します。(図1)
 2-3 スピーカLF(ウーファー)に取り付けられている束線LF(赤/黒)を外します。(写真1)

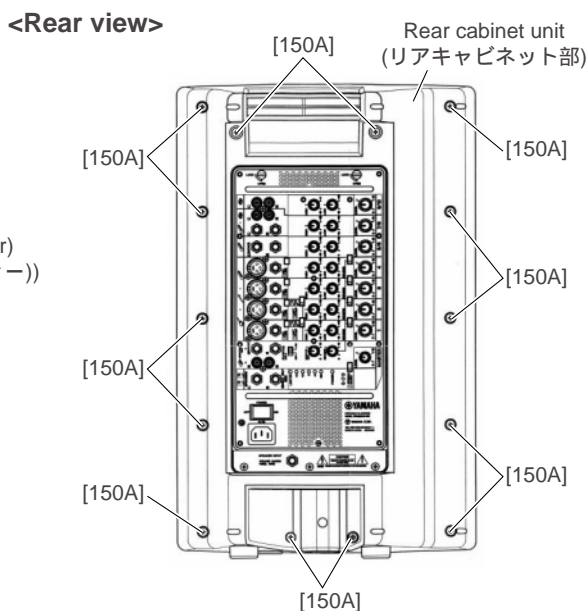
3. フロントキャビネット部、リアキャビネット部 (所要時間: 約2分)

- 3-1 [150A]のネジ14本を外して、フロントキャビネット部、リアキャビネット部を別けます。(図1、図2)
 3-2 スピーカLF(ウーファー)に取り付けられている束線LF(赤/黒)を外します。(写真1)
 3-3 スピーカHF(ツイーター)に取り付けられている束線HF(黄/青)を外します。(写真2)
 フロントキャビネット部とリアキャビネット部を開きすぎて、スピーカLF(ウーファー)端子、スピーカHF(ツイーター)端子を傷めないように注意してください。



[170A]: Bind Head Tapping Screw-P (P タイト + BIND)
 5.0X18 BL CR3 (WJ559700)
 [190]: Bind Head Tapping Screw-P (P タイト + BIND)
 4.0X12 NI-BL (WJ329500)

Fig.1 (図1)



[150A]: Bind Head Tapping Screw-A (A タイト + BIND)
 5.0X45 NI-BL (WJ329900)

Fig.2 (図2)



Photo 1 (写真1)



Photo 2 (写真2)

4. Speaker HF (Tweeter)

(Time required: About 3 minutes)

- 4-1 Separate the front cabinet unit and rear cabinet unit. (See procedure 3)
- 4-2 Remove the two (2) screws marked [140]. The speaker HF (tweeter) can then be removed from the front cabinet unit. (Photo 3)

4. スピーカHF(ツイーター) (所要時間: 約3分)

- 4-1 フロントキャビネット部、リアキャビネット部を別けます。(3項参照)
- 4-2 [140]のネジ2本を外して、フロントキャビネット部からスピーカHF(ツイーター)を外します。(写真3)

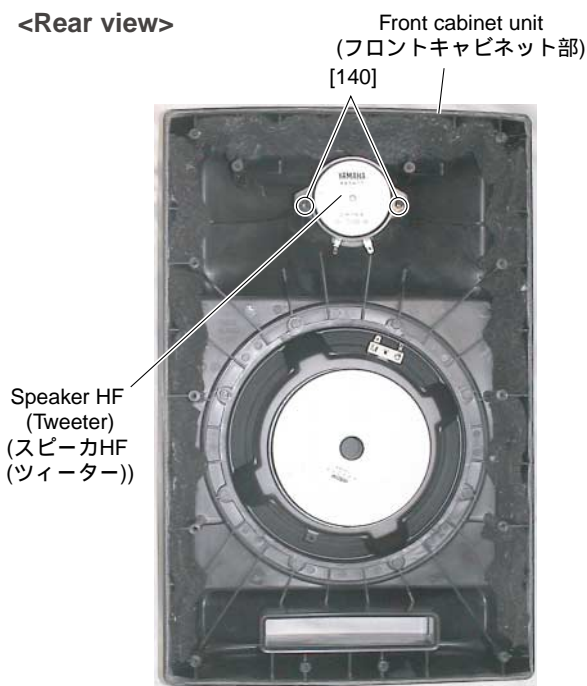
5. Network Assembly, NETWORK Circuit Board (Time required: About 4 minutes)

- 5-1 Separate the front cabinet unit and rear cabinet unit. (See procedure 3)
- 5-2 Remove the SP connector assembly from the network assembly. (Photo 4)
- 5-3 Remove the four (4) screws marked [30]. The network assembly can then be removed from the rear cabinet unit. (Photo 4)
- 5-4 Remove the four (4) screws marked [N40]. The NETWORK circuit board can then be removed. (Photo 4-1)

5. ネットワーク Ass'y、NETWORK シート (所要時間: 約4分)

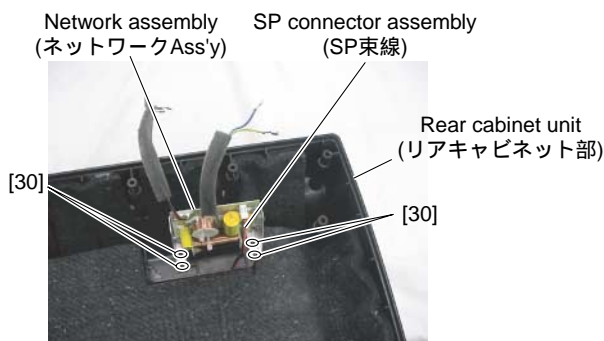
- 5-1 フロントキャビネット部、リアキャビネット部を別けます。(3項参照)
- 5-2 ネットワーク Ass'y から SP 束線を外します。(写真4)
- 5-3 [30]のネジ4本を外して、リアキャビネット部からネットワーク Ass'y を外します。(写真4)
- 5-4 [N40]のネジ4本を外して、NETWORKシートを外します。(写真4-1)

<Rear view>



[140]: Bind Head Tapping Screw-B (Bタイト + BIND) 4.0X20 NI-BL (WJ329100)

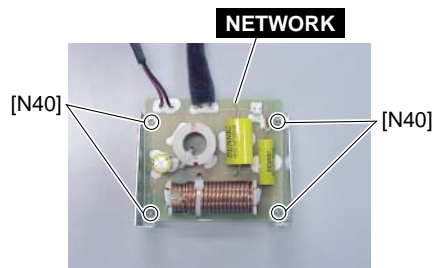
Photo 3 (写真3)



[30]: Bind Head Tapping Screw-B (Bタイト + BIND) 3.0X10 NI-BL (WJ329200)

Photo 4 (写真4)

Network Assembly (ネットワーク Ass'y)



[N40]: Pan Head Tapping Screw-B (Bタイト + PAN) 3.0X8 CR3 (WJ329000)

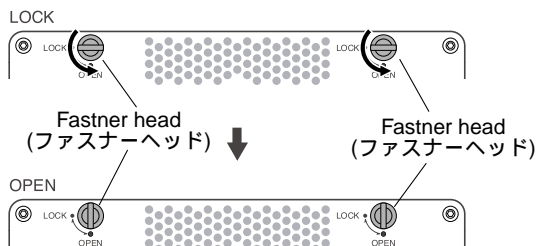
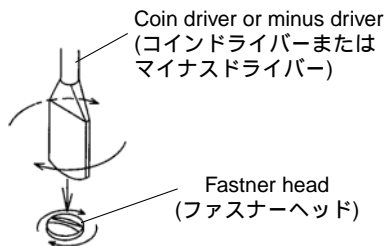
Photo 4-1 (写真4-1)

**6. Mixer Assembly, Cover Mold Assembly
(Time required: About 1 minute)**

6-1 Rotate the two (2) straight slots on the fastener heads with a coin driver or minus driver until each straight slot is in alignment with the "OPEN" position. The mixer assembly or cover mold assembly can then be removed. (Photo 5)

**7. JACK Circuit Board
(Time required: About 1 minute)**

7-1 Remove the mixer assembly or cover mold assembly. (See procedure 6)
 7-2 Remove the three (3) screws marked [50A]. The mount bracket assembly can then be removed together with the JACK circuit board. (Photo 6)
 7-3 Remove the SP connector assembly from the JACK circuit board. (Photo 6-1)
 7-4 Remove the hexagonal nut marked [210a]. The JACK circuit board can then be removed from the mount bracket assembly. (Photo 6-1)



[50A]: Bind Head Tapping Screw-P (P タイト + BIND) 4.0X12 NI-BL (WJ329500)
 Photo 6 (写真 6)

**6. ミキサー Ass'y、カバーモールド Ass'y
(所要時間：約1分)**

6-1 コインドライバーまたはマイナスドライバーで、ファスナーヘッドのマイナス形溝 2箇所を "OPEN" の位置まで回して、ミキサー Ass'y またはカバーモールド Ass'y を外します。(写真 5)

7. JACK シート (所要時間：約1分)

7-1 ミキサー Ass'y またはカバーモールド Ass'y を外します。(6 項参照)
 7-2 [50A] のネジ 3 本を外して、JACK シートと共にマウントブラケット Ass'y を外します。(写真 6)
 7-3 JACK シートから SP 束線を外します。(写真 6-1)
 7-4 [210a] の特殊六角ナット 1 個を外して、マウントブラケット Ass'y から JACK シートを外します。(写真 6-1)

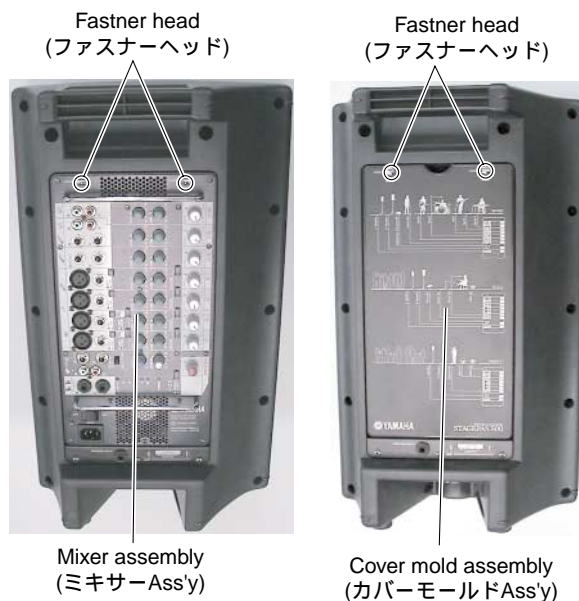
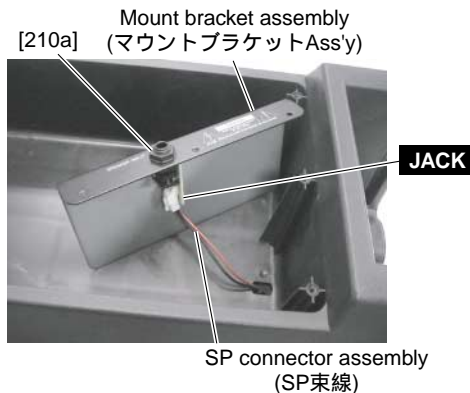


Photo 5 (写真 5)



[210a]: Hexagonal Nut (特殊六角ナット) M15.0 BL
 Photo 6-1 (写真 6-1)

8. Rear Case

(Time required: About 2 minutes)

- 8-1 Remove the mixer assembly. (See procedure 6)
- 8-2 Remove the eight (8) screws marked [400]. The rear case can then be removed from the mixer assembly. (Photo 7)

9. Shield Bracket 2

(Time required: About 2 minutes)

- 9-1 Remove the mixer assembly. (See procedure 6)
- 9-2 Remove the rear case. (See procedure 8)
- 9-3 Remove the four (4) screws marked [380]. The shield bracket 2 can then be removed. (Photo 8)

10. POWER Circuit Board

(Time required: About 3 minutes)

- 10-1 Remove the mixer assembly. (See procedure 6)
- 10-2 Remove the rear case. (See procedure 8)
- 10-3 Remove the shield bracket 2. (See procedure 9)
- 10-4 Remove the six (6) screws marked [290]. The POWER circuit board can then be removed. (Photo 9)

8. リアケース (所要時間: 約2分)

- 8-1 ミキサー Ass'y を外します。(6項参照)
- 8-2 [400]のネジ8本を外して、ミキサー Ass'y からリアケースを外します。(写真7)

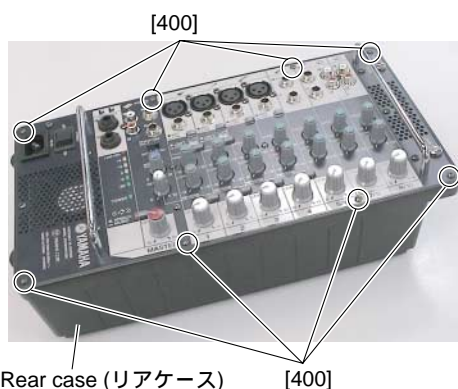
9. シールドブラケット2 (所要時間: 約2分)

- 9-1 ミキサー Ass'y を外します。(6項参照)
- 9-2 リアケースを外します。(8項参照)
- 9-3 [380]のネジ4本を外して、シールドブラケット2を外します。(写真8)

10. POWER シート (所要時間: 約3分)

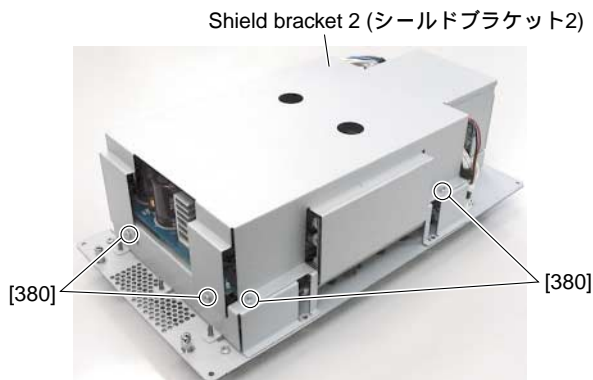
- 10-1 ミキサー Ass'y を外します。(6項参照)
- 10-2 リアケースを外します。(8項参照)
- 10-3 シールドブラケット2を外します。(9項参照)
- 10-4 [290]のネジ6本を外して、POWER シートを外します。(写真9)

Mixer Assembly (ミキサー Ass'y)



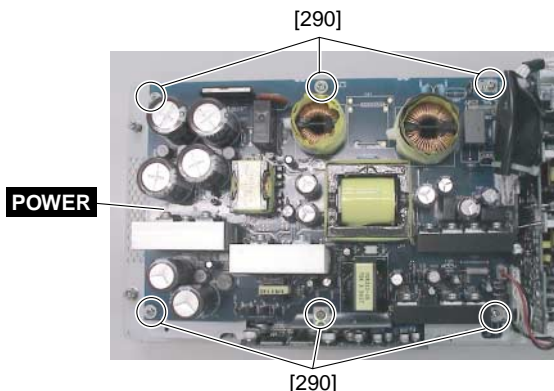
[400]: Hexagonal Tapping Screw-B (六角ネジBタイト) 3.0X8 NI-BL (AAX62010)

Photo 7 (写真7)



[380]: Bind Head Tapping Screw-B (Bタイト + BIND) 3.0X8 CR3 (AAX61980)

Photo 8 (写真8)



[290]: Pan Head Tapping Screw-B (Bタイト + PAN) 3.0X8 CR3 (WJ329000)

Photo 9 (写真9)

11. DSP Circuit Board

(Time required: About 2 minutes)

- 11-1 Remove the mixer assembly. (See procedure 6)
- 11-2 Remove the rear case. (See procedure 8)
- 11-3 Remove the shield bracket 2. (See procedure 9)
- 11-4 Remove the DSP circuit board from the connectors CN27 and CN33 of the CONTROL2 (2/3) circuit board. (Photo 10)

11. DSP シート (所要時間: 約2分)

- 11-1 ミキサー Ass'y を外します。(6項参照)
- 11-2 リアケースを外します。(8項参照)
- 11-3 シールドブラケット 2 を外します。(9項参照)
- 11-4 CONTROL2 (2/3)シートのCN27とCN33のコネクターから DSP シートを外します。(写真10)

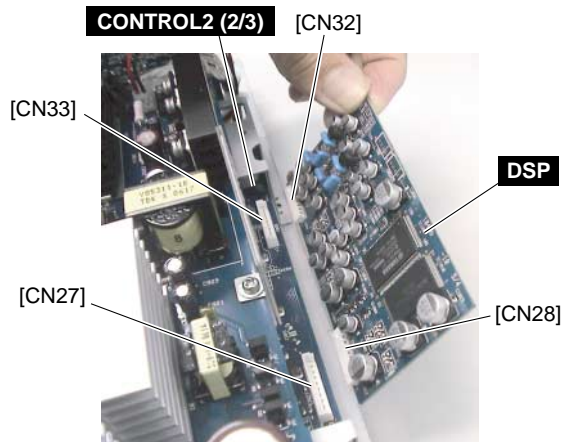


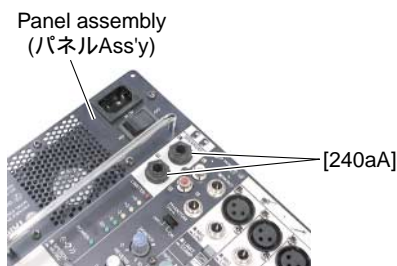
Photo 10 (写真10)

12. AMP Circuit Board, CONTROL3 (3/3) Circuit Board (Time required: About 4 minutes)

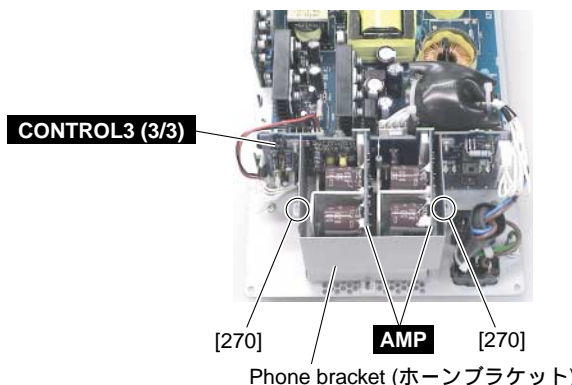
- 12-1 Remove the mixer assembly. (See procedure 6)
- 12-2 Remove the rear case. (See procedure 8)
- 12-3 Remove the shield bracket 2. (See procedure 9)
- 12-4 Remove the two (2) hexagonal nuts marked [240aA] from the panel printing side. (Photo 11)
- 12-5 Remove the two (2) screws marked [270]. The phone bracket can then be removed together with the AMP circuit board and CONTROL3 (3/3) circuit board. (Photo 12)
- 12-6 Remove the two (2) screws marked [260A]. The AMP circuit board and CONTROL3 (3/3) circuit board can then be removed from the phone bracket. (Photo 13)
- 12-7 Remove the screw marked [260B]. The AMP circuit board A can then be removed from the CONTROL3 (3/3) circuit board. (Photo 13)
- 12-8 Remove the screw marked [260C]. The AMP circuit board B can then be removed from the CONTROL3 (3/3) circuit board. (Photo 13)

12. AMP シート、CONTROL3 (3/3)シート (所要時間: 約4分)

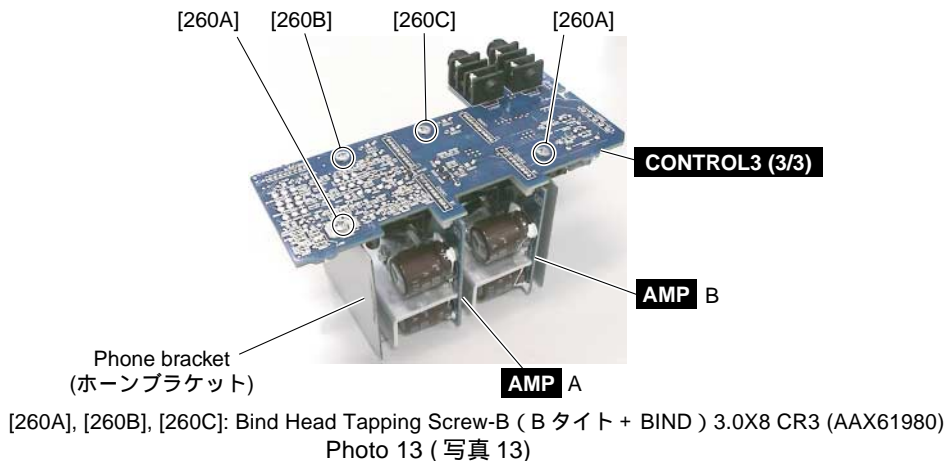
- 12-1 ミキサー Ass'y を外します。(6項参照)
- 12-2 リアケースを外します。(8項参照)
- 12-3 シールドブラケット 2 を外します。(9項参照)
- 12-4 パネル印刷面から [240aA] の特殊六角ナット 2 個を外します。(写真11)
- 12-5 [270] のネジ 2 本を外して、AMP シート、CONTROL3 (3/3)シートと共にホーンブラケットを外します。(写真12)
- 12-6 [260A] のネジ 2 本を外して、ホーンブラケットから AMP シートと CONTROL3 (3/3)シートを外します。(写真13)
- 12-7 [260B] のネジ 1 本を外して、CONTROL3 (3/3)シートから AMP シート A を外します。(写真13)
- 12-8 [260C] のネジ 1 本を外して、CONTROL3 (3/3)シートから AMP シート B を外します。(写真13)



[240aA]: Hexagonal Nut (特殊六角ナット) M15.0 BL
Photo 11 (写真11)



[270]: Bind Head Tapping Screw-B (B タイト + BIND) 3.0X8 CR3 (AAX61980)
Photo 12 (写真12)



13. Shield Bracket 1 Assembly
(Time required: About 4 minutes)

- 13-1 Remove the mixer assembly. (See procedure 6)
- 13-2 Remove the rear case. (See procedure 8)
- 13-3 Remove the two (2) each screws marked [P30]. The two (2) handles can then be removed. (Photo 14, Photo15, Photo16)
- 13-4 Remove the six (6) screws marked [170B] and two (2) hexagonal nuts marked [240aB] from the panel printing side. (Photo 17)
- 13-5 Remove the shield bracket 2. (See procedure 9)

13. シールドブラケット 1 Ass'y
(所要時間：約 4 分)

- 13-1 ミキサー Ass'y を外します。(6 項参照)
- 13-2 リアケースを外します。(8 項参照)
- 13-3 [P30]のネジを 2 本ずつ外して、ハンドルを 2 本外します。(写真 14、写真 15、写真 16)
- 13-4 パネル印刷面から[170B]のネジ 6 本、[240aB]の特殊六角ナット 2 個を外します。(写真 17)
- 13-5 シールドブラケット 2 を外します。(9 項参照)



[P30]: Bind Head Screw (小ネジ + BIND) M3.0X8 CR3 (AAX61910)
Photo 14 (写真 14)



[P30]: Bind Head Screw (小ネジ + BIND) M3.0X8 CR3 (AAX61910)
Photo 15 (写真 15)

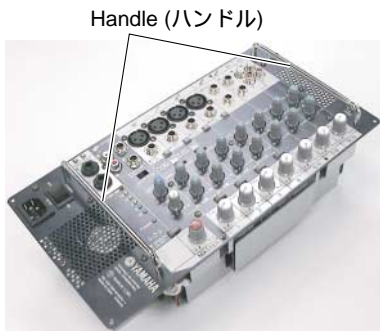
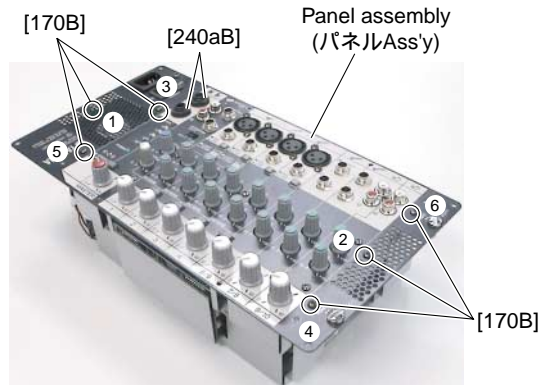


Photo 16 (写真 16)

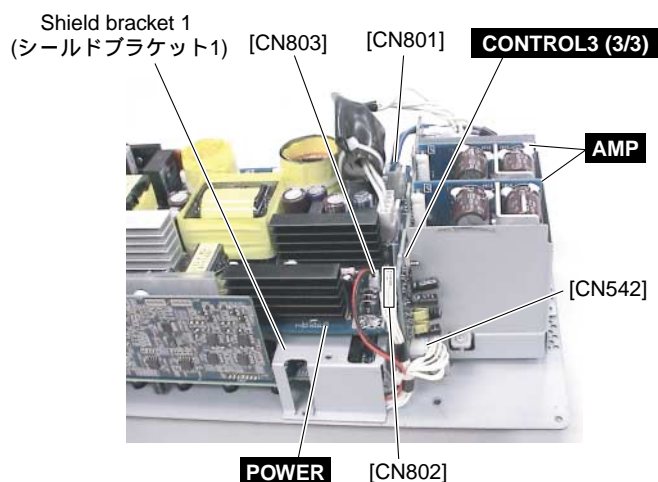


[170B]: Bind Head Tapping Screw-B (B タイト + BIND) 3.0X10 NI-BL (WJ329200)
[240aB]: Hexagonal Nut (特殊六角ナット) M15.0 BL
Photo 17 (写真 17)

13-6 Disconnect the connectors CN801, CN802 and CN803 of the POWER circuit board and the connector CN542 of the CONTROL3 (3/3) circuit board. The shield bracket 1 assembly (including AMP circuit board, CONTROL3 (3/3) circuit board and POWER circuit board) can then be removed. (Photo 18)

* **When installing the shield bracket 1 assembly, tighten the screws marked [170B] in numerical order (). (Photo 17)**

13-6 POWER シートの CN801、CN802、CN803 と CONTROL3 (3/3)シートの CN542 のコネクターを抜いて、シールドブラケット1 Ass'y(AMPシート、CONTROL3 (3/3)シート、POWERシートを含みます。)を外します。(写真 18)
シールドブラケット1 Ass'y を取り付ける際は、[170B]のネジを の順に締めます。(写真 17)



Shield Bracket 1 Assembly(シールドブラケット1 Ass'y)

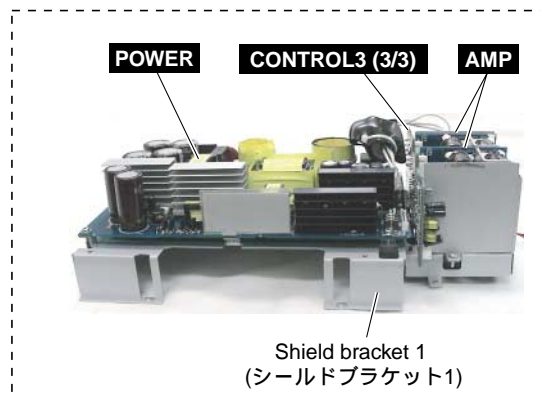


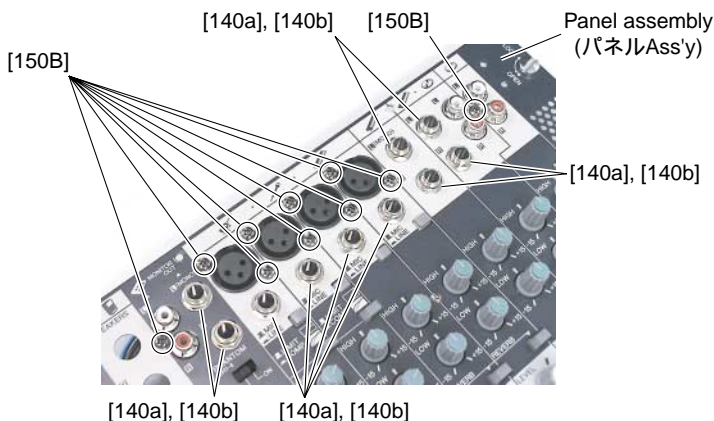
Photo 18 (写真 18)

14. CONTROL1 (1/3) Circuit Board (Time required: About 8 minutes)

- 14-1 Remove the mixer assembly. (See procedure 6)
- 14-2 Remove the rear case. (See procedure 8)
- 14-3 Remove the shield bracket 2. (See procedure 9)
- 14-4 Remove the shield bracket 1 assembly. (See procedure 13)
- 14-5 Remove the ten (10) hexagonal nuts marked [140a], ten (10) flat washers marked [140b] and ten (10) screws marked [150B] from the panel printing side. (Photo 19)

14. CONTROL1 (1/3)シート (所要時間: 約8分)

- 14-1 ミキサー Ass'y を外します。(6 項参照)
- 14-2 リアケースを外します。(8 項参照)
- 14-3 シールドブラケット2を外します。(9 項参照)
- 14-4 シールドブラケット1 Ass'y を外します。(13 項参照)
- 14-5 パネル印刷面から[140a]の特殊六角ナット10個、[140b]の特殊平座金10個、[150B]のネジ10本を外します。(写真 19)



[140a]: Hexagonal Nut (特殊六角ナット) M11.0
 [140b]: Flat Washer (特殊平座金) M9.2
 [150B]: Bind Head Tapping Screw-B (Bタイト + BIND) 3.0X10 NI-BL (WJ329200)

Photo 19 (写真 19)

14-6 Remove the CONTROL1 (1/3) circuit board from the connectors CN21 and CN26 of the CONTROL2 (2/3) circuit board. (Photo 20)

* The four (4) push buttons marked [120] and four (4) push spacers marked [130] are not parts of the CONTROL1 (1/3) circuit board. When replacing the CONTROL1 (1/3) circuit board, be sure to remove these parts and attach them to the new CONTROL1 (1/3) circuit board. (Photo 21)

14-6 CONTROL2 (2/3)シートのCN21、CN26のコネクターからCONTROL1 (1/3)シートを外します。(写真20)
[120]のプッシュボタン4個と[130]のプッシュスペーサ4個は、CONTROL1 (1/3)シートの構成部品ではありません。CONTROL1 (1/3)シートを交換する際には必ずこれらを取り外し、新しいCONTROL1 (1/3)シートに取り付けてください。(写真21)

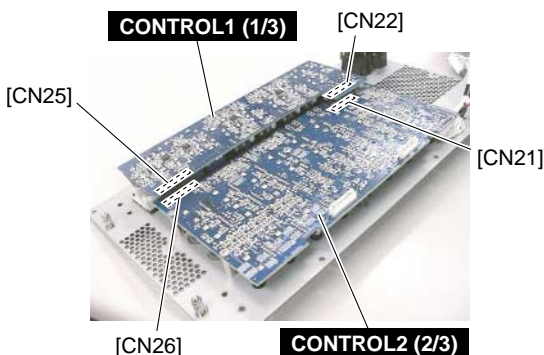


Photo 20 (写真20)

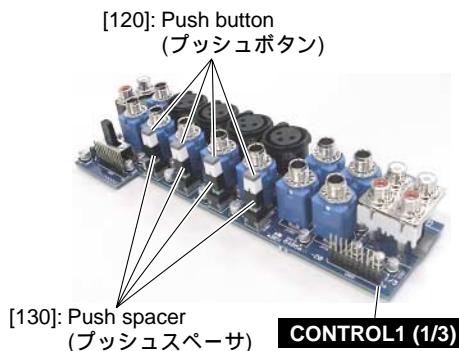


Photo 21 (写真21)

15. CONTROL2 (2/3) Circuit Board
(Time required: About 9 minutes)

- 15-1 Remove the mixer assembly. (See procedure 6)
- 15-2 Remove the rear case. (See procedure 8)
- 15-3 Remove the shield bracket 2. (See procedure 9)
- 15-4 Remove the DSP circuit board. (See procedure 11)
- 15-5 Remove the shield bracket 1 assembly. (See procedure 13)
- 15-6 Remove the CONTROL1 (1/3) circuit board. (See procedure 14)
- 15-7 Remove the seven (7) volume knobs (white) marked [80] and the volume knob (red) marked [90] from the panel printing side. (Photo 22)

15. CONTROL2 (2/3)シート (所要時間: 約9分)

- 15-1 ミキサー Ass'y を外します。(6 項参照)
- 15-2 リアケースを外します。(8 項参照)
- 15-3 シールドブラケット2を外します。(9 項参照)
- 15-4 DSP シートを外します。(11 項参照)
- 15-5 シールドブラケット1 Ass'y を外します。(13 項参照)
- 15-6 CONTROL1 (1/3)シートを外します。(14 項参照)
- 15-7 パネル印刷面から[80]のノブVR(白)7個、[90]のノブVR(赤)1個を外します。(写真22)

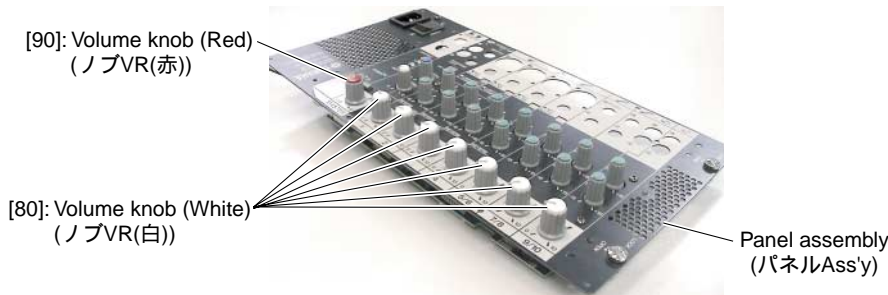
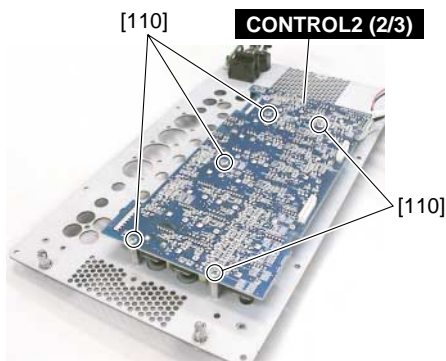


Photo 22 (写真22)

- 15-8 Remove the five (5) screws marked [110]. The CONTROL2 (2/3) circuit board can then be removed. (Photo 23)

* **The following parts are not parts of the CONTROL2 (2/3) circuit board. When replacing the CONTROL2 (2/3) circuit board, be sure to remove these parts and attach them to the new CONTROL2 (2/3) circuit board. (Photo 24)**

- [40]: Push buttons 7 pcs.
- [50B]: Volume knob (S) (white) 1 pc.
- [60]: Volume knobs (S) (green) 14 pcs.
- [70]: Volume knob (S) (blue) 1 pc.

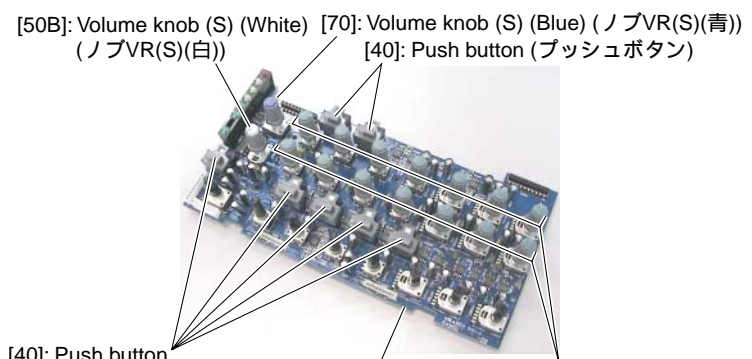


[110]: Bind Head Screw (小ネジ + BIND)
M3.0X8 CR3 (AAX61910)
Photo 23 (写真 23)

- 15-8 [110]のネジ5本を外して、CONTROL2 (2/3)シートを外します。(写真23)

以下の各部品は、CONTROL2 (2/3)シートの構成部品ではありません。CONTROL2 (2/3)シートを交換する際には必ずこれらを取り外し、新しいCONTROL2 (2/3)シートに取り付けてください。(写真24)

- [40]: プッシュボタン 7個
- [50B]: ノブVR(S)(白) 1個
- [60]: ノブVR(S)(緑) 14個
- [70]: ノブVR(S)(青) 1個



[50B]: Volume knob (S) (White) [70]: Volume knob (S) (Blue) (ノブVR(S)(青))
(ノブVR(S)(白)) [40]: Push button (プッシュボタン)
[40]: Push button (プッシュボタン) [60]: Volume knob (S) (Green) (ノブVR(S)(緑))
Photo 24 (写真 24)

16. Power Switch, AC Inlet

(Time required: About 5 minutes)

- 16-1 Remove the mixer assembly. (See procedure 6)
16-2 Remove the rear case. (See procedure 8)
16-3 Remove the shield bracket 2. (See procedure 9)
16-4 Remove the shield bracket 1 assembly. (See procedure 13)
16-5 Remove the two (2) connector assemblies (connector assembly (1P) and connector assembly (2P)) and earth wire soldered to the power switch and AC inlet. (Fig. 3)
16-6 Remove the power switch by pressing its claws. (Fig. 4)
16-7 Remove the AC inlet by pressing its claws. (Fig. 5)

17. Fan (Time required: About 5 minutes)

- 17-1 Remove the mixer assembly. (See procedure 6)
17-2 Remove the rear case. (See procedure 8)
17-3 Remove the shield bracket 2. (See procedure 9)
17-4 Remove the shield bracket 1 assembly. (See procedure 13)
17-5 Remove the four (4) screws marked [210]. The fan can then be removed from the shield bracket 1 assembly. (Photo 25)

* **The fan is fixed with two-sided tape. Apply power little by little to remove the fan.**

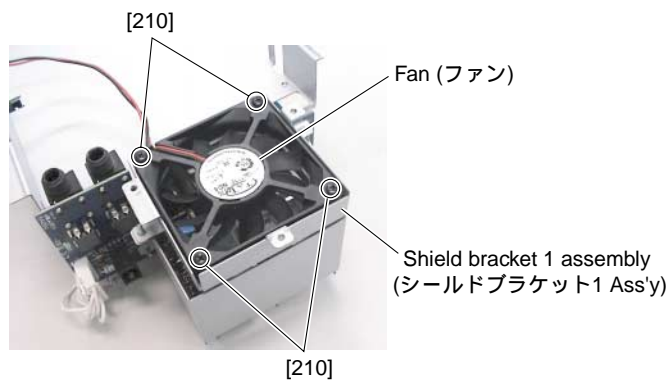
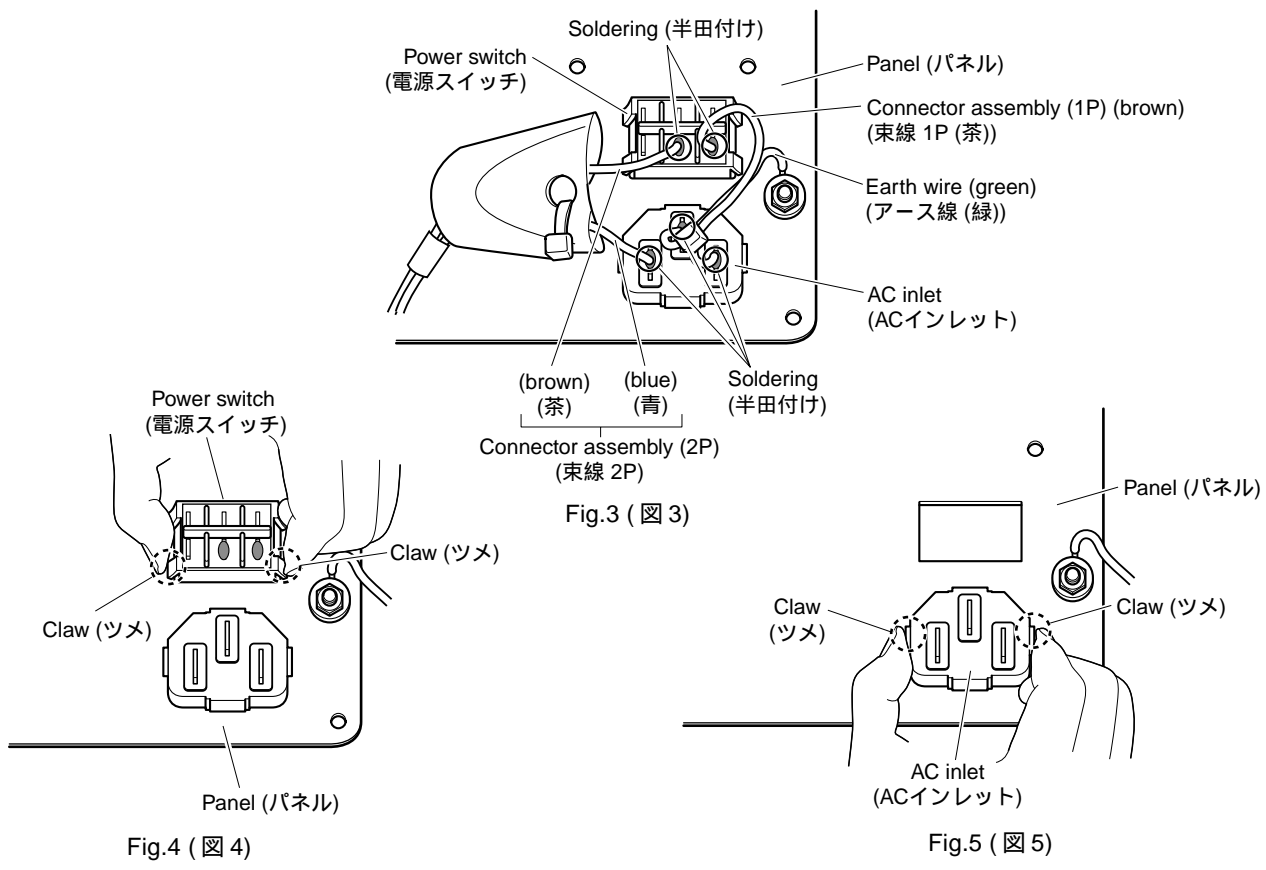
16. 電源スイッチ、ACインレット

(所要時間：約5分)

- 16-1 ミキサー Ass'y を外します。(6項参照)
16-2 リアケースを外します。(8項参照)
16-3 シールドブラケット2を外します。(9項参照)
16-4 シールドブラケット1 Ass'yを外します。(13項参照)
16-5 電源スイッチとACインレットに半田付けされている束線2本(束線1P, 束線2P)とアース線を外します。(図3)
16-6 電源スイッチのツメを押して外します。(図4)
16-7 ACインレットのツメを押して外します。(図5)

17. ファン(所要時間：約5分)

- 17-1 ミキサー Ass'y を外します。(6項参照)
17-2 リアケースを外します。(8項参照)
17-3 シールドブラケット2を外します。(9項参照)
17-4 シールドブラケット1 Ass'yを外します。(13項参照)
17-5 [210]のネジ4本を外して、シールドブラケット1 Ass'y からファンを外します。(写真25)
ファンは両面テープで固定されていますので、軽く力を加えて外してください。



[210]: Bind Head Tapping Screw-B (Bタイト + BIND) 3.0X20 NI-BL (WK008800)
 Photo 25 (写真 25)

LSI PIN DESCRIPTION (LSI端子機能表)

● YMW767-VTZ (X6055A00) CPU (SWL01B)

DSP: IC1007

PIN NO.	NAME	I/O	FUNCTION	PIN NO.	NAME	I/O	FUNCTION	
1	Vss	-	Ground	65	Vss	-	Ground	
2	TESTN	I	Input for TEST	66	IOVDD	-	Power supply +3.3 V	
3	PLLBP	I	PLL bypass select	67	LBN/LWRN/PF6	O	External memory lower-byte enable / Port F	
4	PLLVD	-	PLL Power supply +2.5 V	68	UBN/UWRN/PF7	O	External memory upper-byte enable / Port F	
5	CIN	-	Capacitor terminal for PLL	69	RDN/PF4	O	External memory read enable / Port F	
6	PLLVss	-	PLL Ground	70	MD00	I/O	External memory data bus	
7	TRSTN	I	JTAG input	71	MD08	I/O		
8	TMS	I		72	MD01	I/O		
9	TCK	I		73	MD09	I/O		
10	TDI	I		74	MD02	I/O		
11	TDO	O	JTAG output	75	MD10	I/O	External memory data bus	
12	XI	I	Crystal oscillator	76	MD03	I/O		
13	XO	O	Crystal oscillator	77	Vss	-	Ground	
14	Vss	-	Ground	78	MD11	I/O	External memory data bus	
15	VDD	-	Power supply +2.5 V	79	MD04	I/O		
16	ICN	I	Hardware reset	80	MD12	I/O		
17	ECSN	I	CPU I/F chip select	81	MD05	I/O		
18	EWRN/PD5	I	CPU I/F write enable / Port D	82	MD13	I/O		
19	ERDN/PD4	I	CPU I/F read enable / Port D	83	MD06	I/O	External memory data bus	
20	EA3/PD3	I	CPU I/F address bus / Port D	84	MD14	I/O		
21	EA2/PD2	I		85	MD07	I/O		
22	EA1/PD1	I		86	MD15	I/O		
23	EA0/PD0	I		87	WRN/PF5	O		
24	IOVDD	-	Power supply +3.3 V	88	Vss	-	Ground	
25	ED0/PC0	I/O	CPU I/F data bus / Port C	89	VDD	-	Power supply +2.5 V	
26	ED1/PC1	I/O		90	IOVDD	-	Power supply +3.3 V	
27	ED2/PC2	I/O		91	MA17	O	External memory address bus	
28	ED3/PC3	I/O		92	MA16	O		
29	ED4/PC4	I/O		93	MA15	O		
30	ED5/PC5	I/O		94	MA14	O		
31	ED6/PC6	I/O		95	MA13	O		
32	ED7/PC7	I/O	96	MA12	O			
33	Vss	-	Ground	97	MA11	O		
34	IRQ0N/PH0	I	Interrupt input / Port H	98	MA10	O	External memory address bus	
35	TxD0	O	Serial output	99	MA09	O		
36	RxD0	I	Serial input	100	MA08	O		
37	TxD1/PG2	O	Serial output / Port G	101	MA07	O		
38	RxD1/PH1	I	Serial input / Port H	102	MA06	O		
39	SCLK1/PH2	I	External synchronization clock / Port H	103	MA05	O	External memory address bus	
40	SDO	O	Serial output	104	Vss	-		Ground
41	SDI/PH3	I	Serial input / Port H	105	MA04	O		
42	BCLK	O	Bit clock output	106	MA03	O		
43	WCLK/SY0	O	Word clock output	107	MA02	O	External memory address bus	
44	SYSCLK/PG3	O	Clock output / Port G	108	MA01	O		
45	Vss	-	Ground	109	CSON/PG0	O	External memory chip select / Port G	
46	VDD	-	Power supply +2.5 V	110	MA18	O	External memory address bus	
47	IOVDD	-	Power supply +3.3 V	111	MA19	O		
48	PA0	I/O	I/O port A	112	MA21/PF1	O	External memory address bus / Port F	
49	PA1	I/O		113	MA22/PF2	O		
50	PA2	I/O		114	MA20	O	External memory address bus	
51	PA3	I/O		115	MA23/PF3	O	External memory address bus / Port F	
52	PA4	I/O		116	CSIN/PG1	O	External memory chip select / Port G	
53	PA5	I/O		117	MA00/PF0	O	External memory address bus / Port F	
54	PA6	I/O		118	Vss	-	Ground	
55	PA7	I/O	119	VDD	-	Power supply +2.5 V		
56	Vss	-	Ground	120	IOVDD	-	Power supply +3.3 V	
57	PB0	I/O	I/O port B	121	CS2N/PE0	O	External memory chip select / Port E	
58	PB1	I/O		122	CS3N/PE1	O		
59	PB2	I/O		123	CS4N/CASN/PE2	O		
60	PB3	I/O		124	CS5N/PE3	O		
61	PB4	I/O		125	CS50RDN/PE4	O		
62	PB5	I/O		126	CS51WRN/PE5	O		
63	PB6	I/O		127	CS52WRN/PE6	O		
64	PB7/SY1	I/O	128	CS53WRN/RASN/PE7	O			

● **AK5381VT (X8575A00) ADC (Analog to Digital Converter)**

DSP: IC1004

PIN NO.	NAME	I/O	FUNCTION	PIN NO.	NAME	I/O	FUNCTION
1	AINR	I	Rch Analog input pin	9	SDTO	O	Audio serial data output pin
2	AINL	I	Lch Analog input pin	10	LRCK	I/O	Output channel clock pin
3	CKS1	I	Mode select 1 pin	11	MCLK	I	Master clock input pin
4	VCOM	O	Common voltage output pin	12	SCLK	I/O	Audio serial data clock pin
5	AGND	-	Analog ground	13	PDN	I	Power down mode pin
6	VA	-	Analog power supply +5V	14	DIF	I	Audio interface format pin
7	VD	-	Digital power supply +3.3V	15	CKS2	I	Mode select 2 pin
8	DGND	-	Digital ground	16	CKS0	I	Mode select 0 pin

● **PCM1742EK (X8574A00) DAC (Digital to Analog Converter)**

DSP: IC1008

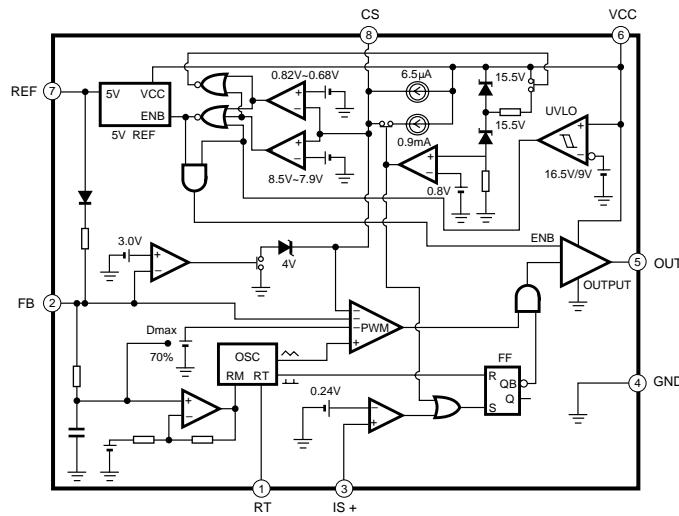
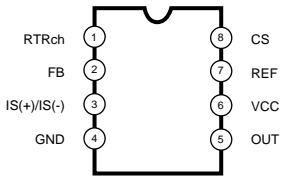
PIN NO.	NAME	I/O	FUNCTION	PIN NO.	NAME	I/O	FUNCTION
1	BCK	I	Audio data bit clock input	9	AGND	-	Analog ground
2	DATA	I	Audio data digital input	10	Vcom	-	Common voltage decoupling
3	LRCK	I	L-channel and R-channel audio-data latch-enable input	11	ZEROR/ZEROA	O	Zero-flag output for R-channel/Zero-flag output for L-/R-channel
4	DGND	-	Digital ground	12	ZEROL/NA	O	Zero-flag output for L-channel/No assign
5	VDD	-	Digital power supply +3.3V	13	MD	I	Mode control data input
6	Vcc	-	Analog power supply +5V	14	MC	I	Mode control clock input
7	VoutL	O	Analog output for L-channel	15	ML	I	Mode control latch input
8	VoutR	O	Analog output for R-channel	16	SCK	I	System clock input

IC BLOCK DIAGRAM (ICブロック図)

● FA3641N (X8570A00)

PWM Control

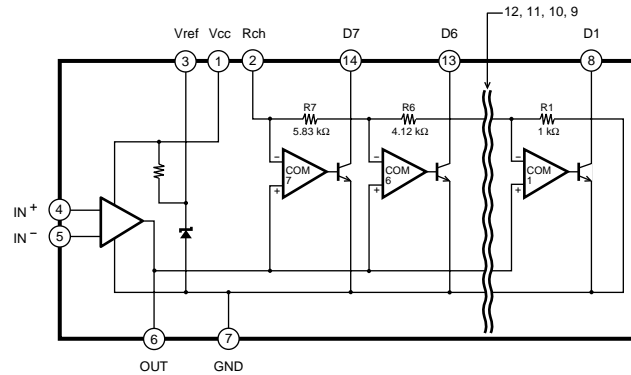
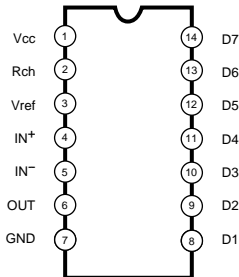
POWER: IC803



● LB1407-E LF (AAX68710)

AC/DC Voltage Level Meter

CONTROL2 (2/3): IC604



● NJM2068M-D TE1 (AAX62750)

Dual Operational Amplifier

CONTROL1 (1/3): IC101, 201, 501, 701, 704

CONTROL2 (2/3): IC102, 104-106, 108, 202,

203, 205, 206, 302, 402,

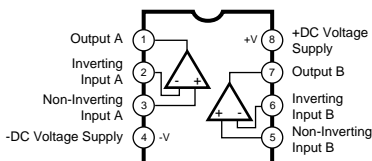
502, 503, 702, 703, 901,

902

CONTROL3 (3/3): IC541, 542

DSP: IC103, 107, 204, 603, 1009,

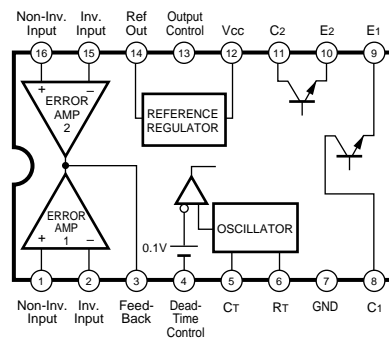
1011



● μPC494GS-T2-A (X8569A00)

Switching Regulator

POWER: IC802

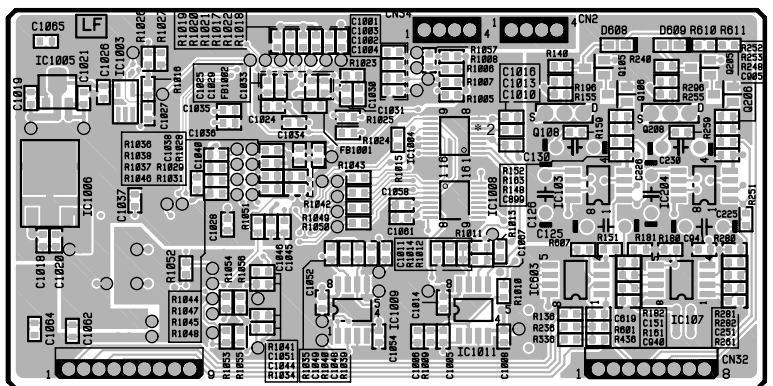
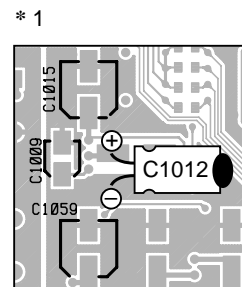
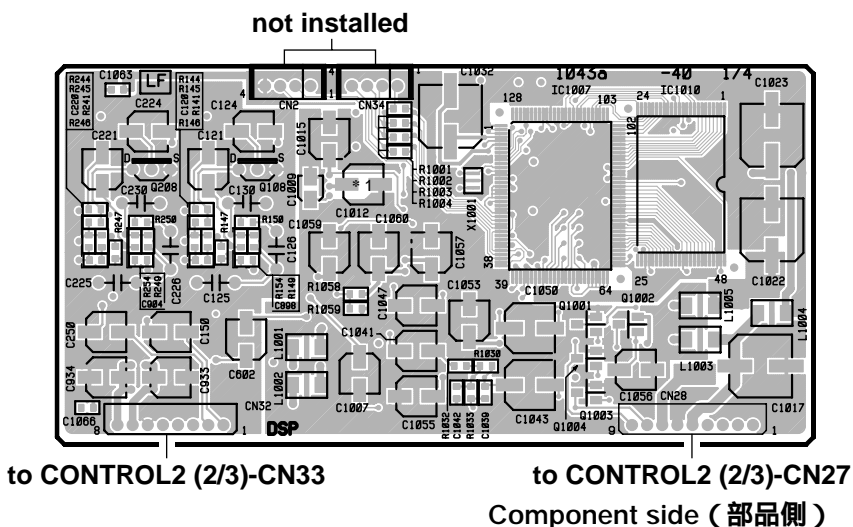


■ CIRCUIT BOARDS (シート基板図)

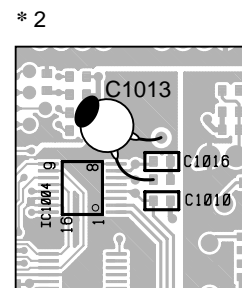
AMP Circuit Board (4200-30)	26
CONTROL1 (1/3) Circuit Board (6486-30)	24
CONTROL2 (2/3) Circuit Board (6486-30)	22/23
CONTROL3 (3/3) Circuit Board (6486-30)	25
DSP Circuit Board (1043-40)	19
JACK Circuit Board (5254B-30)	25
NETWORK Circuit Board (5254A-30)	26
POWER Circuit Board (8146-40)	20/21

Note: See parts list for details of circuit board component parts.
 注: シートの部品詳細はパーツリストをご参照ください。

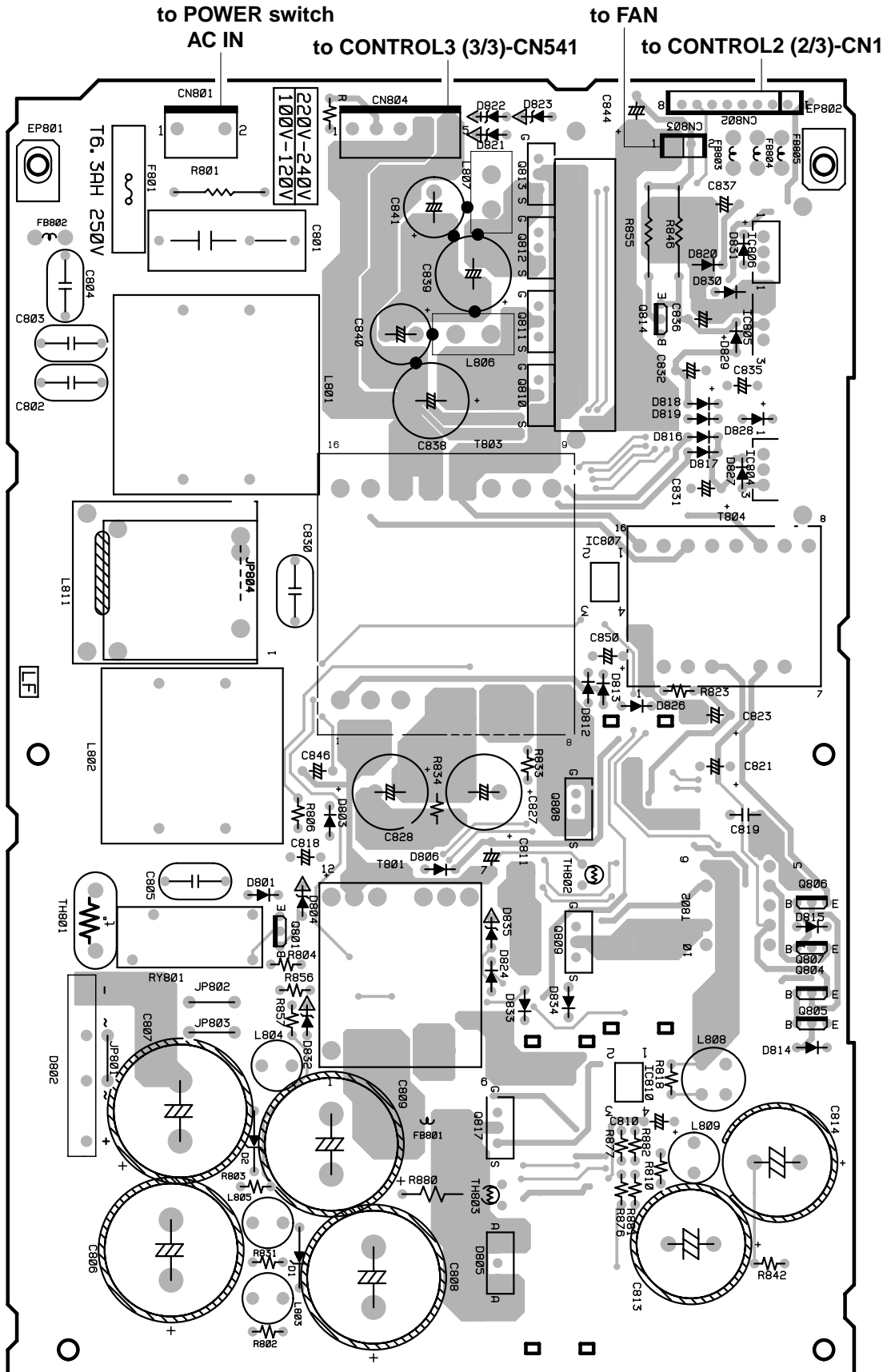
● DSP Circuit Board



Pattern side (パターン側)



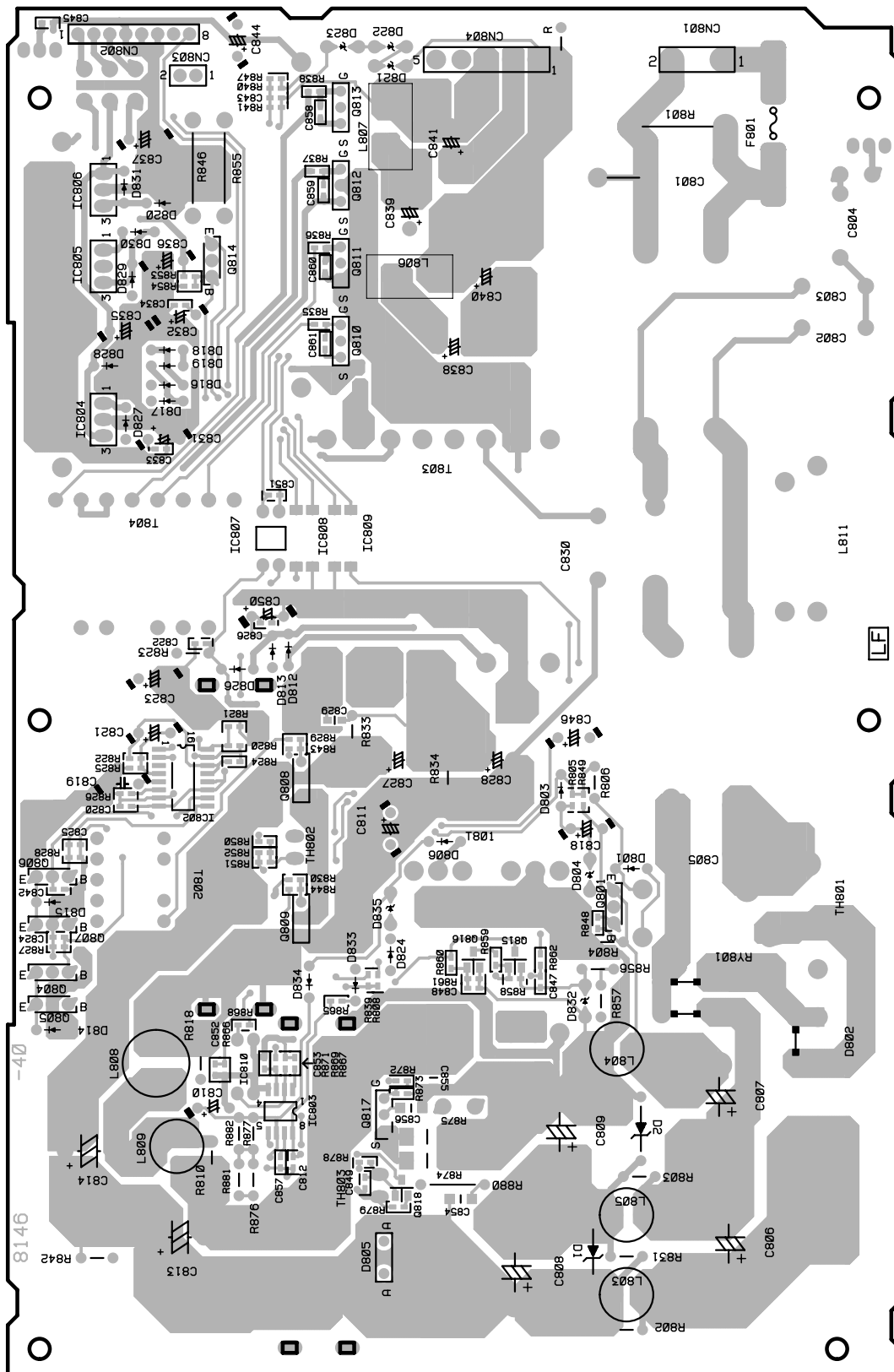
● POWER Circuit Board



Component side (部品側)

444598 (J, U, C), 444744 (B, H, O)

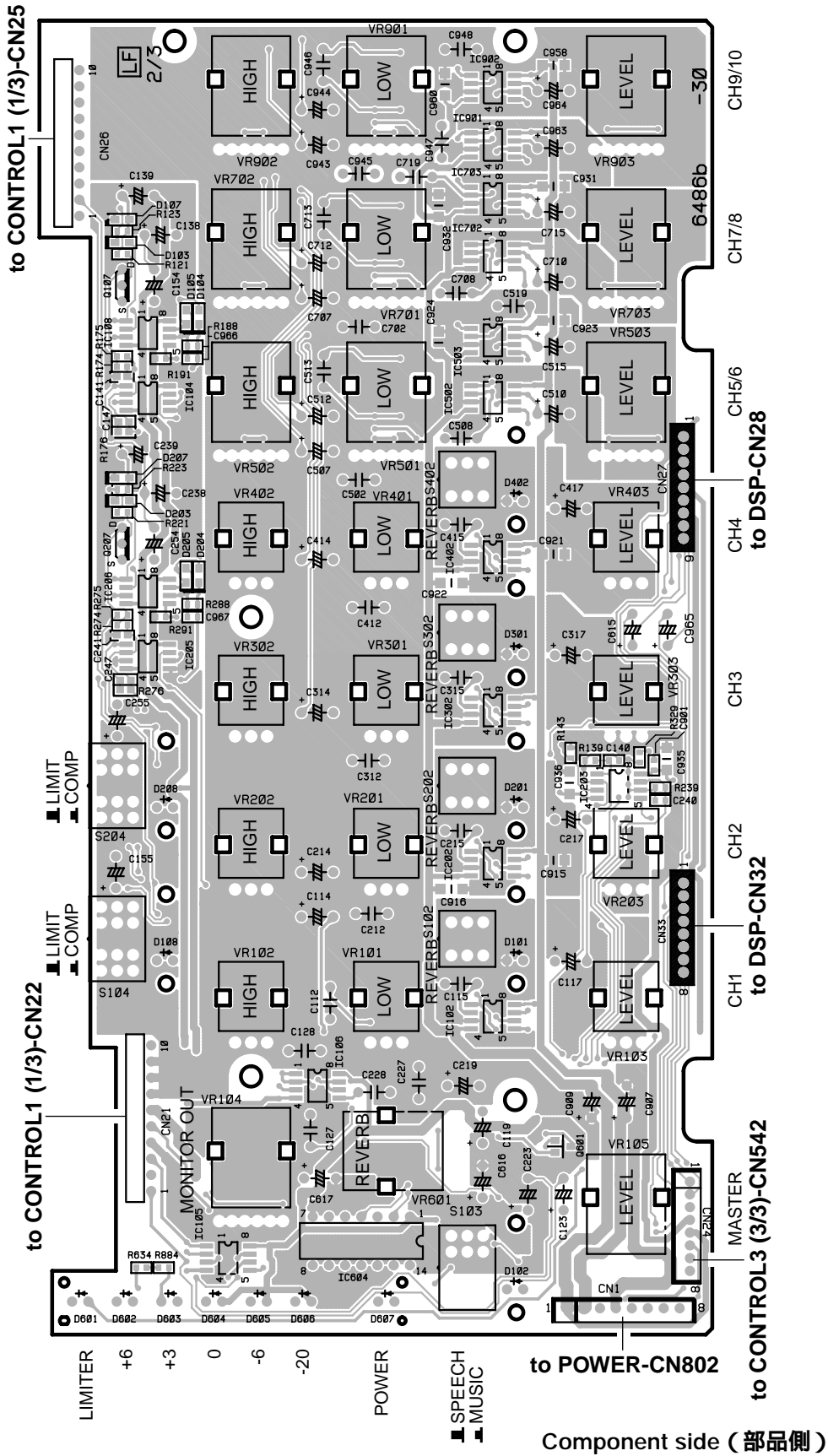
● POWER Circuit Board



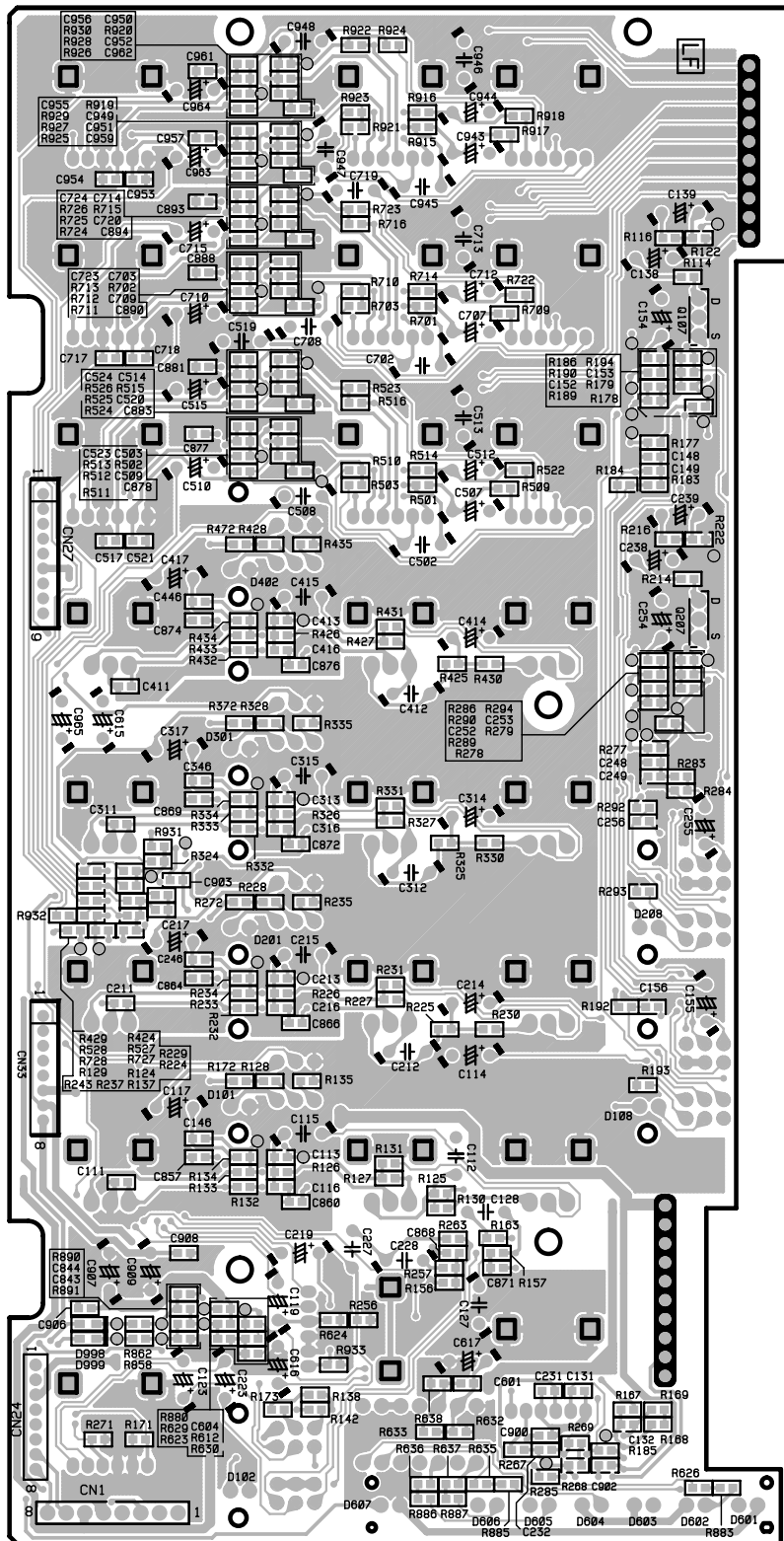
Pattern side (パターン側)

444598 (J, U, C), 444744 (B, H, O)

● CONTROL2 (2/3) Circuit Board

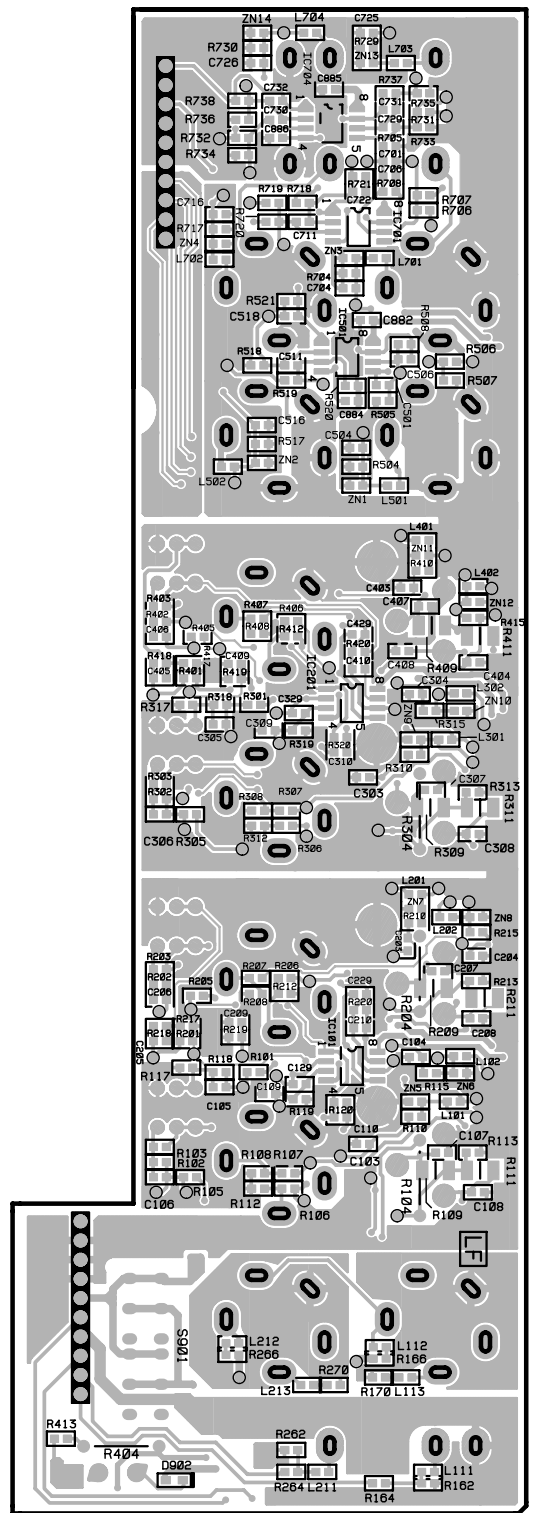
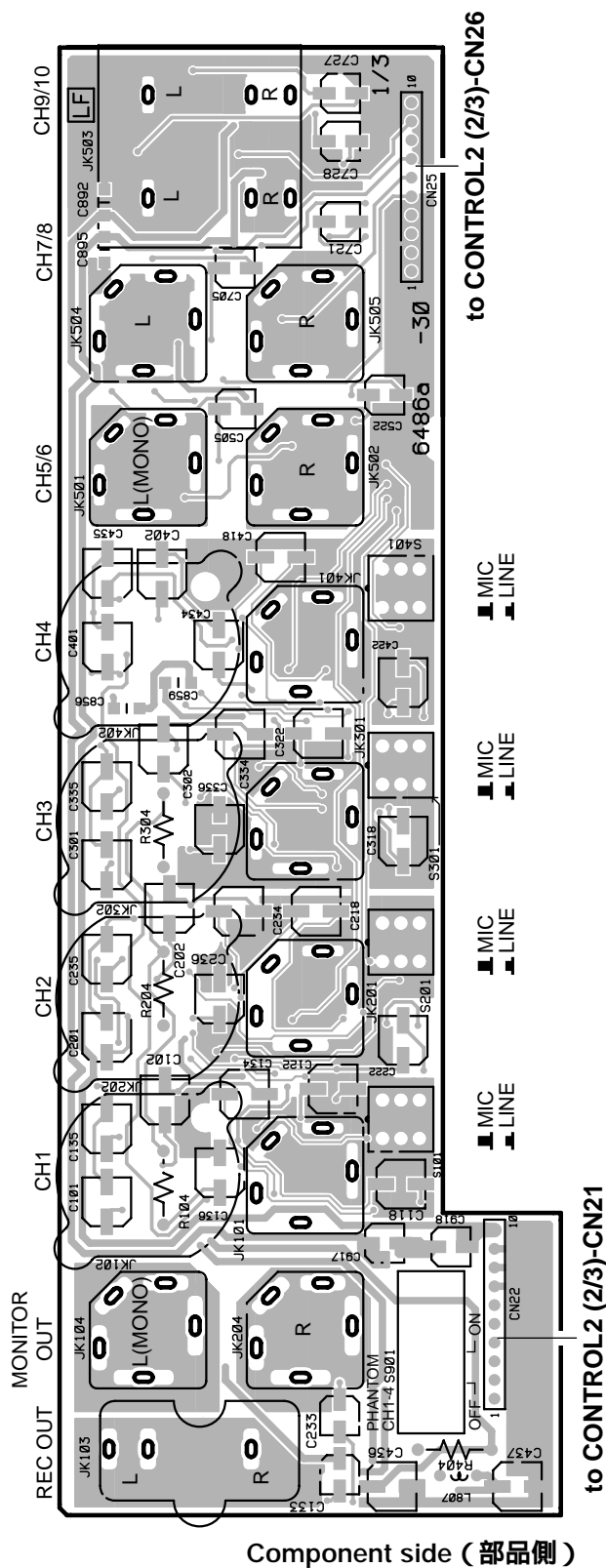


● CONTROL2 (2/3) Circuit Board

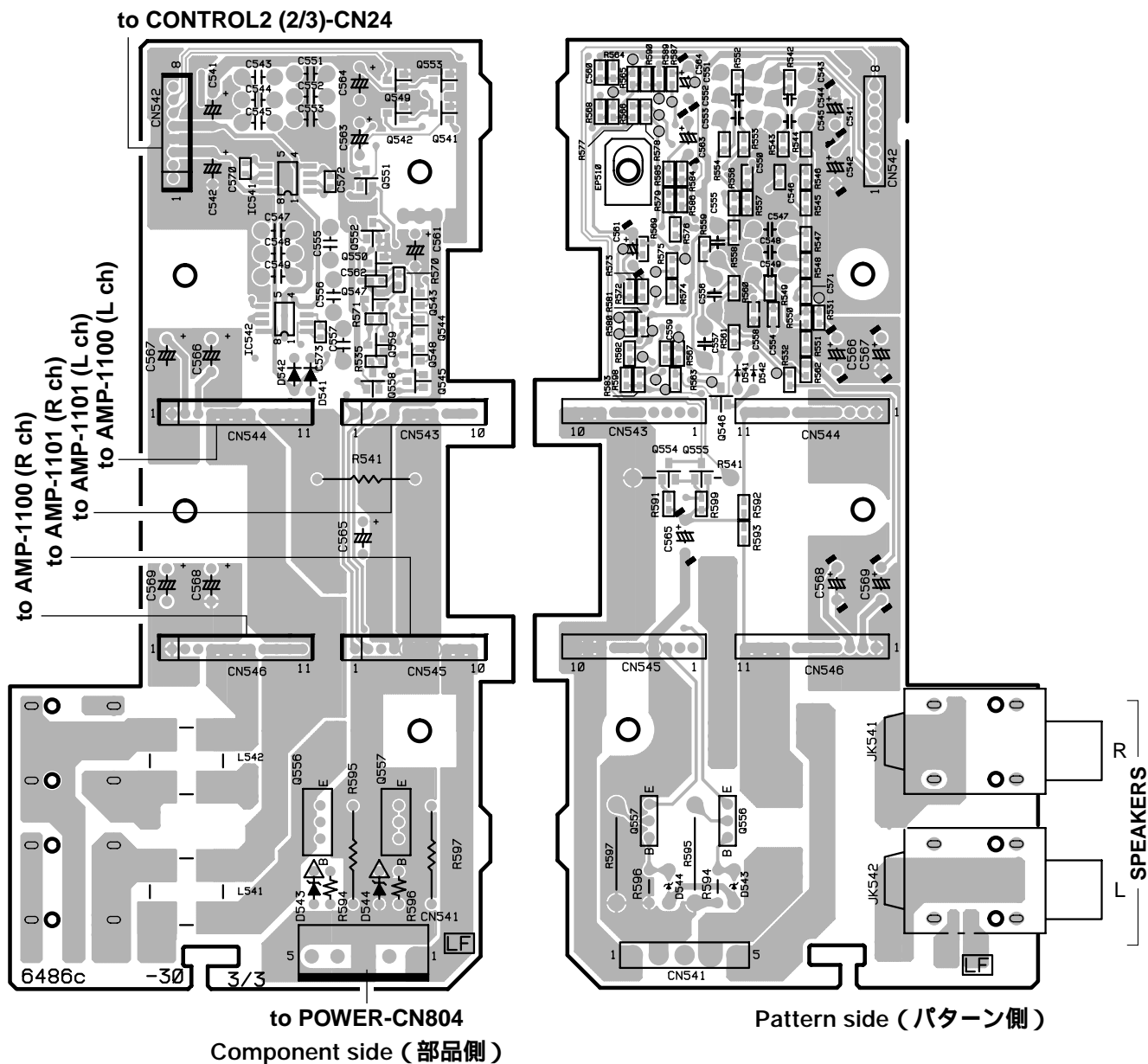


Pattern side (パターン側)

● CONTROL1 (1/3) Circuit Board

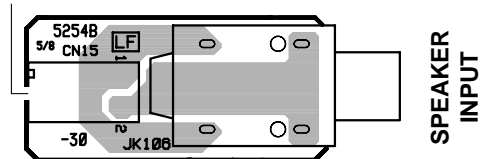


● CONTROL3 (3/3) Circuit Board



● JACK Circuit Board

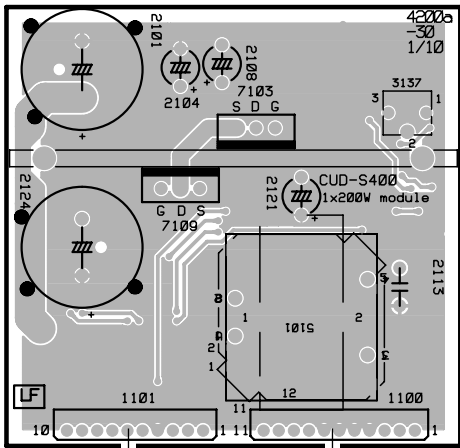
to NETWORK-CN8



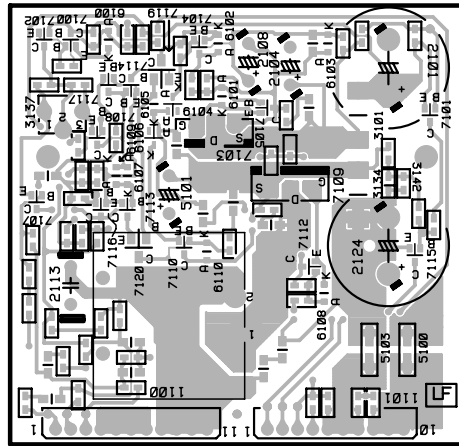
Component side (部品側)

CONTROL3 (3/3): 444603
JACK: 445546

● AMP Circuit Board

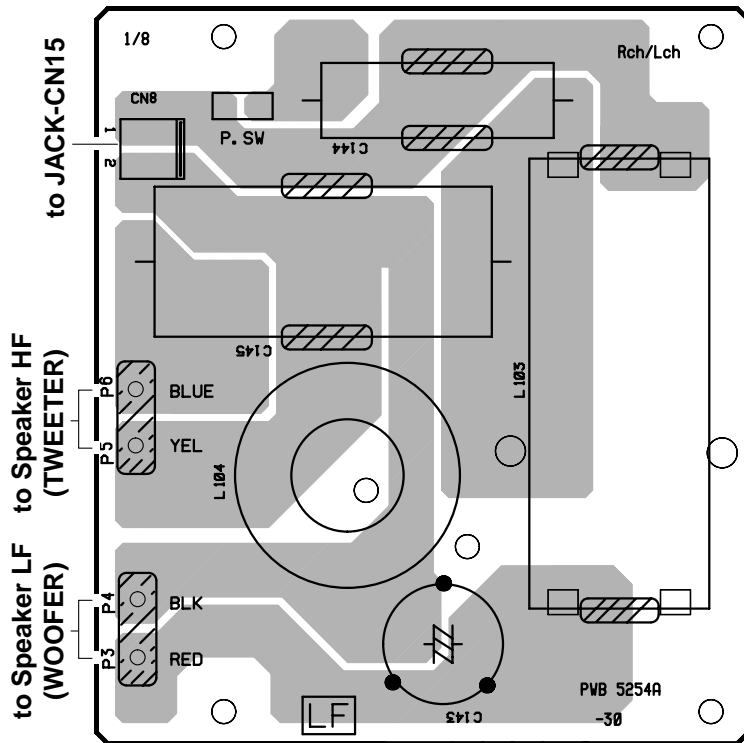


to CONTROL3 (3/3)-CN544 (L ch)
CONTROL3 (3/3)-CN546 (R ch)
to CONTROL3 (3/3)-CN543 (L ch)
CONTROL3 (3/3)-CN545 (R ch)
Component side (部品側)



Pattern side (パターン側)

● NETWORK Circuit Board



Component side (部品側)

AMP: 444611
NETWORK: 445546

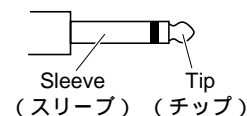
■ INSPECTIONS (検査)

1. Test Conditions (試験条件)

Measuring Voitage (測定電圧):	AC 100 V 50/60 Hz (J) AC 120 V 60 Hz (U, C) AC 230 V 50 Hz (B, H) AC 220 V 50 Hz (O)
Load (負荷):	4 Ω
Input (入力):	1 KHz
MASTER LEVEL VR (マスターレベル VR):	MAX.
Tone-control VR (トーンコントロール VR):	HIGH, LOW = All channel Center.
REVERB SW (リバーブ SW):	All channel OFF.
REVERB level (リバーブレベル VR):	MIN.
SPEECH/MUSIC SW (スピーチ/ミュージック SW):	MUSIC
LIMIT/COMP SW (リミット/コンプ SW):	LIMIT
USE MEASUREMENT FILTER:	DIN-Audio
PHANTOM SW (ファンタム SW):	OFF

NOTE:

- ① Use a low pass filter (20 KHz) to measure noise at the SP jack (SPEAKERS).
(SP 端子 (SPEAKERS) でノイズを測定する場合は、ローパスフィルター (20 KHz) を使用してください。)
- ② The sleeve of the SPEAKERS Lch is the hot terminal. So, pay attention not to let it contact GND.
(SPEAKERS Lch は、スリーブ側がホット端子となりますので、アースに接触しない様注意してください。)



2. Electric Characteristic (電気特性)

No.	ITEM (項目)	INPUT CONDITIONS (入力条件)	OUTPUT CONDITIONS (出力条件)	NOMINAL (標準値)	LIMIT (限界値)
1	OUTPUT POWER (定格出力)	INPUT1-SW=LINE INPUT1-LEVEL=NOMINBAL	SP OUT: 1 %THD OUTPUT (1 %歪 出力) 20-20KHz FILTER	L, R 210 W	>200 W
2	T. H. D. (歪率)	INPUT1-SW=LINE INPUT1-LEVEL=MAX.	SP OUT: 50 W OUTPUT (50 W 出力)	L, R 0.5 %	<1 %
		INPUT1-SW=LINE INPUT1-LEVEL=MAX.	MONITOR OUT: +14 dBu OUTPUT (Load: 10 kΩ)	L, R 0.1 %	<0.5 %

No.	ITEM (項目)	INPUT CONDITIONS (入力条件)	OUTPUT CONDITIONS (出力条件)	NOMINAL (標準値)	LIMIT (限界値)		
3	INPUT SENSITIVITY (入力感度)	INPUT 1, 2, 3, 4 (Each) INPUT=XLR INPUT-SW=LINE INPUT-LEVEL=MAX.	SP OUT: REF: 200 W OUTPUT	L, R	-23 dBu	-23 dBu±2 dB	
			MONITOR OUT: +4 dBu OUTPUT (Load: 10 kΩ)	L	-30 dBu	-30 dBu±2 dB	
		INPUT 1, 2, 3, 4 (Each) INPUT=XLR INPUT-SW=MIC INPUT-LEVEL=MAX.	MONITOR OUT: +4 dBu OUTPUT (Load: 10 kΩ)	L	-60 dBu	-60 dBu±2 dB	
		INPUT 1, 2, 3, 4 (Each) INPUT=PHONE INPUT-SW=LINE INPUT-LEVEL=MAX.		L	-20 dBu	-20 dBu±2 dB	
		INPUT 5 and 6, 7 and 8 (Each pair) INPUT=PHONE, RCA INPUT-LEVEL=MAX.		L, R	-20 dBu	-20 dBu±2 dB	
		INPUT 9 and 10 (Each) INPUT=RCA INPUT-LEVEL=MAX.	REC OUT: -10 dBV OUTPUT (Load: 10 kΩ)	L, R	-20 dBu	-20 dBu±2 dB	
4	LIMIT/COMP SW (リミット/コンプスイッチ)	INPUT 1, 2 INPUT=PHONE INPUT-SW=LINE INPUT-LEVEL=MAX. LIMIT/COMP SW=COMP	MONITOR OUT: +4 dBu OUTPUT (Load: 10 kΩ)	L	-25 dBu	-24 dBu±2 dB	
5	FREQUENCY RESPONSE (周波数特性)	INPUT: 1, 2, 3, 4 (Each) INPUT=XLR INPUT-SW=LINE INPUT-LEVEL=MAX.	60 Hz	SP OUT: REF: 1 KHz, 1W OUTPUT (基準: 1 KHz, 1W 出力)	L, R	+5.0 dB	+4.0±2 dB
		10 KHz				+1 dB	+1±2 dB
		INPUT: 5 and 6, 7 and 8, 9 and 10 (Each pair) INPUT=PHONE, RCA INPUT-LEVEL=MAX.	60 Hz	SP OUT: REF: 1 KHz, 1W OUTPUT (基準: 1 KHz, 1W 出力)	L, R	+5.0 dB	+4.0±2 dB
		10 KHz				+1 dB	+1±2 dB
6	TONE-CONTROL CHARACTERISTIC (トーンコントロール特性)	INPUT 1, 2, 3, 4, 5, 6, 7, 8, 9, 10 (Each) LOW=MIN. REF: 30 Hz, LOW VR CENTER	REF: 300 mV RECOUT (基準: 300 mV RECOUT 出力) (Load: 10 kΩ)			-15.0 dB	-15.0±2 dB
		INPUT 1, 2, 3, 4, 5, 6, 7, 8, 9, 10 (Each) LOW=MAX. REF: 30 Hz, LOW VR CENTER				+15.0 dB	+15.0±2 dB
		INPUT 1, 2, 3, 4, 5, 6, 7, 8, 9, 10 (Each) HIGH=MIN. REF: 30 KHz, HIGH VR CENTER				-15.0 dB	-15.0±2 dB
		INPUT 1, 2, 3, 4, 5, 6, 7, 8, 9, 10 (Each) HIGH=MAX. REF: 30 KHz, HIGH VR CENTER				+15.0 dB	+15.0±2 dB
		INPUT1 HIGH, LOW VR CENTER SPEECH/MUSIC=SPEECH REF: 80 Hz, MUSIC MODE				-3.0 dB	-3.0±2 dB

No.	ITEM (項目)	INPUT CONDITIONS (入力条件)	OUTPUT CONDITIONS (出力条件)	NOMINAL (標準値)	LIMIT (限界値)	
7	CROSSTALK (クロストーク)	INPUT 1, 2, 3, 4, 5, 6, 7, 8 to Adjacent INPUT (隣接 CH 間) HIGH, LOW VR CENTER	SP OUT: REF: 1 KHz, 200 W OUTPUT (基準: 1 KHz, 200 W 出力) (MEASURE WITH 20 KHz LPF)	75 dB	>70 dB	
8	SIGNAL TO NOISE RATIO (信号雑音比)	INPUT SHORT (入力短絡) INPUT-SW=LINE	SP OUT:	SP OUT	53dB	>50 dB
			REF: 100 W OUTPUT (基準: 100 W 出力)	MONITOR OUT	95dB	>90 dB
9	RESIDUAL NOISE (残留雑音)	MASTER-LEVEL=MIN. SW-MIC INPUT=XLR INPUT IMPEDANCE=150 Ω	SP OUT		-54 dBu	<-50 dBu
			SP OUT (MEASURE WITH 20 KHz LPF AES17)		-70 dBu	<-65 dBu
10	PHANTOM VOLTAGE (ファンタム電源)	PHANTOM SW=ON	CH1-4 XLR ②-① ③-①	15V	15V±1V	
11	LEVEL METER INDICATION (レベルメーター表示)	INPUT1	SP OUT: REF: LEVEL METER="0" (LEVEL METER "0" が表示)	22 dBu	22 dBu±2 dB	
12	POWER CONSUMPTION (消費電力)		SP OUT: REF: 25 W OUTPUT	90 W	<93 W	

(NOTE): 0 dBu=0.775 V

3. ● Overload Protection (過負荷保護回路動作)

The product shall be set to 25 W output on SP OUT.

When + and - of SP OUT short-circuit, the product should stop the output and should blink POWER LED.

* Cycle power (turn off and then on the POWER switch) to return to normal operation.

(SP OUT に 25 W を出力させ、SP OUT の + と - をショートさせた時、SP OUT の出力が無くなり、POWER 表示 LED が点滅することを確認します。)

(POWER スイッチを OFF し、再度 ON にすれば正常動作へ復帰します。)

● DC Detection Circuit Protection (DC 検出保護回路動作)

When DC is detected in AMP output, the power latch circuit is activated to turn off the power. In this case, it is impossible to turn on the power until the power switch is turned off to discharge the capacitors C806 to C809. (It will take about 10 minutes to discharge.)

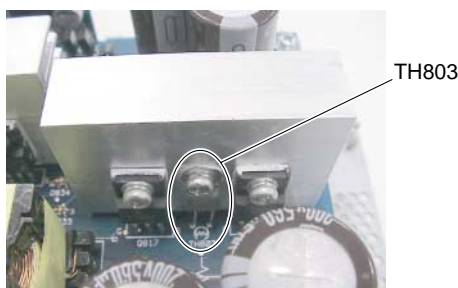
(AMP 出力に DC を検出した場合は、電源のラッチ回路が動作し、電源を OFF します。この場合は、POWER スイッチを OFF し、C806 ~ C809 のコンデンサーが放電されるまでは電源が入りません。(約 10 分位がかかります。))

● Temperature Elevation Protection (温度上昇保護回路動作)

When the temperature of the TH803 (temperature of the heat sink) is 70 °C or more, the protection circuit is activated to turn off the output. The output will be automatically turned on when the temperature comes down.

(TH803 の温度 (放熱板の温度) が 70 以上になると、保護回路が働き、出力を OFF します。温度が下がると自動復帰します。)

POWER Circuit Board



Part of the TH803
(TH803 の部分)

4. Limiter Indication (リミッタ - 表示の確認)

The product shall be set to 32 dBu output on SP OUT.

Then, LIMITER LED(RED) should light on and all LEDs of LEVEL meter should light on.

(SP OUT に 32 dBu を出力させた時、LIMITER 表示 LED (赤色) が点灯し(一瞬でも可)、LEVEL 表示 LED が全て点灯することを確認します。)

■ ADJUSTMENT OF AMPLIFIER UNIT (アンプユニットの調整)

1. Connect a 4 Ω of dummy resistor to the SPEAKERS jacks.
2. After turning on the power, wait more than 60 seconds until performance is stabilized. Then, adjust the trimmer potentiometer to make the voltage across the dummy resistor ± 3 mV or less.

1. SPEAKERS端子に4 Ωのダミー抵抗を接続します。
2. 電源ON後、60秒以上経過して動作が安定してから、ダミー抵抗の両端電圧が ± 3 mV以下となるように、半固定ポリウムを調整します。

AMP Circuit Board



Part of the trimmer potentiometer
(半固定ポリウムの部分)

■ FACTORY SETTING (出荷時の設定)

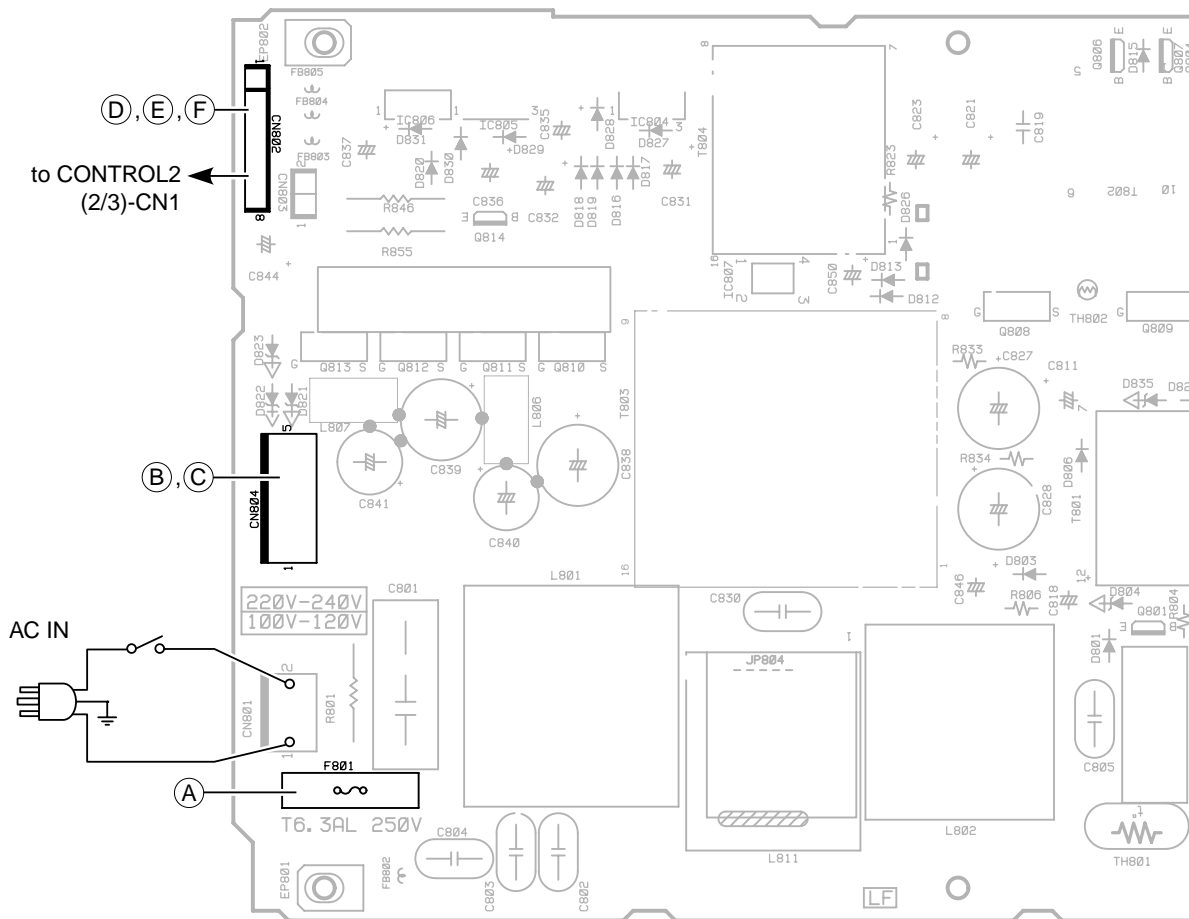
- | | |
|---|--------|
| • POWER switch (POWER スイッチ) | OFF |
| • MASTER LEVEL volume (MASTER LEVEL ボリューム) | MIN. |
| • LEVEL CH 1-10 volume (LEVEL CH 1-10 ボリューム) | MIN. |
| • SPEECH/MUSIC switch (SPEECH/MUSIC スイッチ) | MUSIC |
| • REVERB switch (REVERB スイッチ) | OFF |
| • LIMIT/COMP switch (LIMIT/COMP スイッチ) | LIMIT |
| • REVERB volume (REVERB ボリューム) | MIN. |
| • MONITOR OUT volume (MONITOR OUT ボリューム) | MIN. |
| • Equalizer HIGH, LOW volume (イコライザー HIGH, LOW ボリューム) | CENTER |
| • MIC/LINE switch (MIC/LINE スイッチ) | MIC |
| • PHANTOM switch (PHANTOM スイッチ) | OFF |

■ TROUBLE SHOOTING (トラブルシューティング)

* Points marked by “(A)” to “(L)” in the figure of circuit board are the points to be checked as indicated by the same marks in the flowchart on the next page or after.

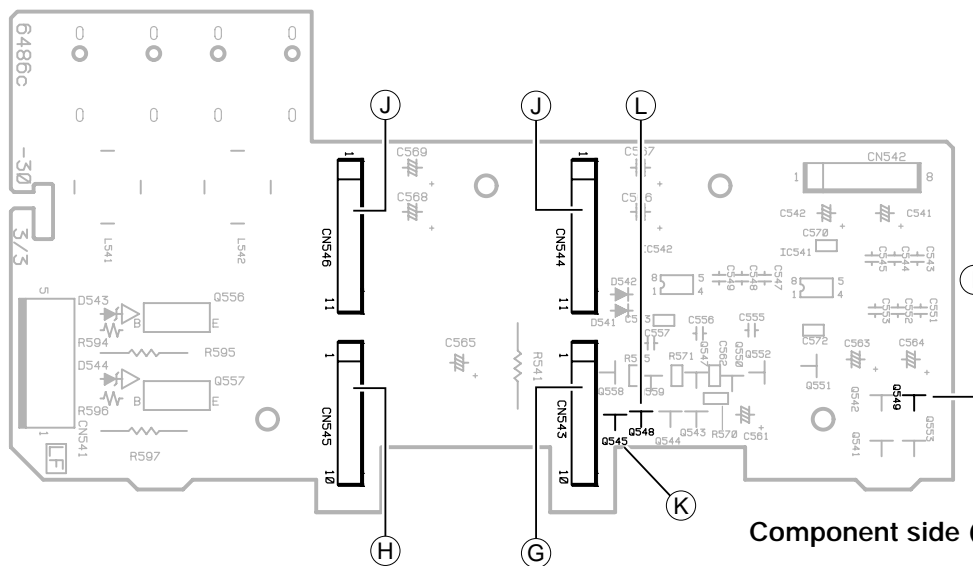
基板図の(A) ~ (L)は、次ページからのフローチャートにおけるチェックポイントを示しています。

● POWER Circuit Board



Component side (部品側)

● CONTROL3 (3/3) Circuit Board

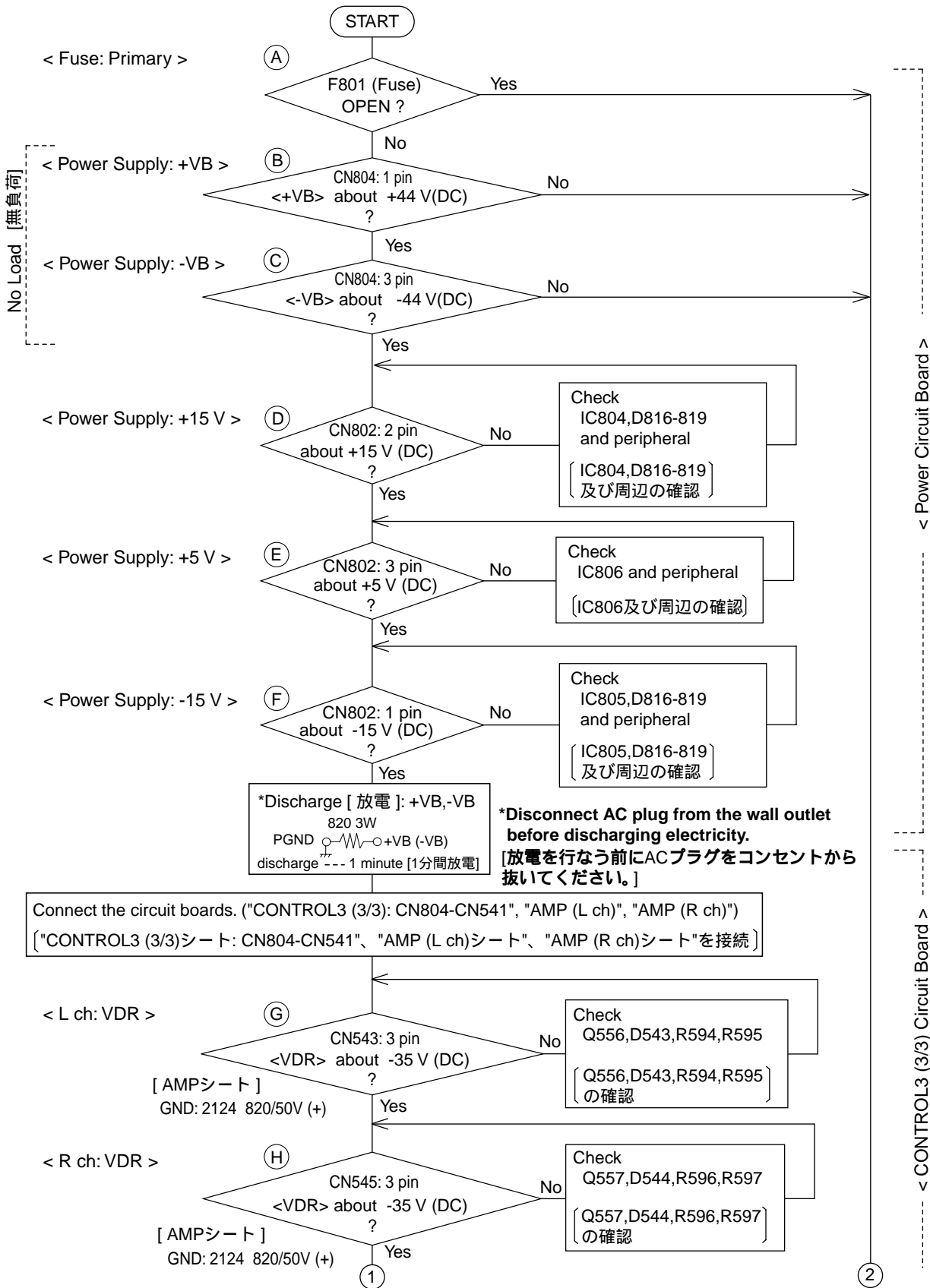


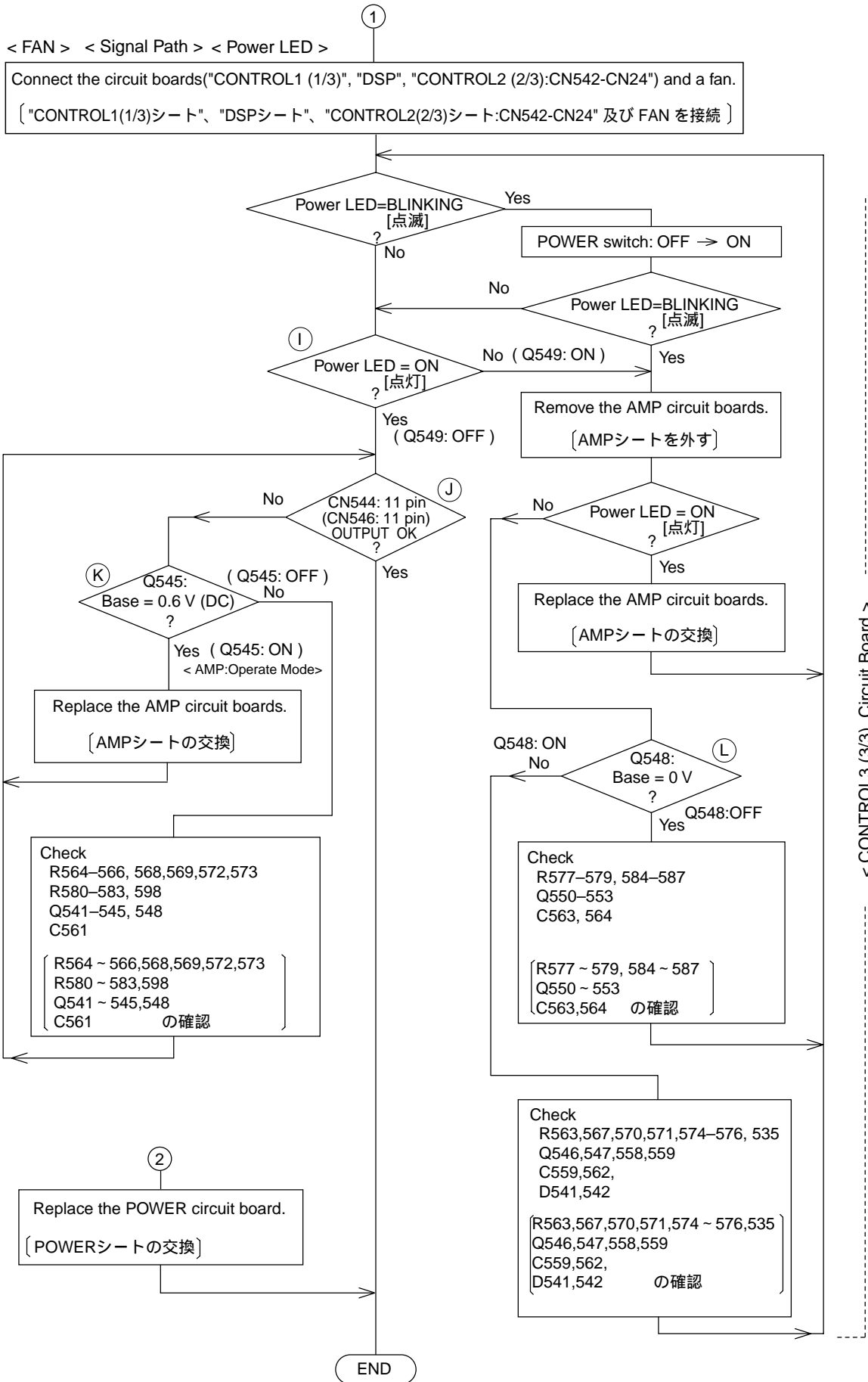
Component side (部品側)

● Trouble Shooting (POWER circuit board)

Note: Check and repair must be done carefully, otherwise the electrical shock may be caused.

[注意：感電するおそれがありますので、注意して作業を行ってください。]





PORTABLE PA SYSTEM STAGEPAS 500

PARTS LIST


■ CONTENTS (目次)


OVERALL ASSEMBLY (総組立)	2
MIXER ASSEMBLY (ミキサー Ass'y)	5
ELECTRICAL PARTS (電気部品)	8-26

Notes : DESTINATION ABBREVIATIONS

A : Australian model	M : South African model
B : British model	O : Chinese model
C : Canadian model	Q : South-east Asia model
D : German model	T : Taiwan model
E : European model	U : U.S.A. model
F : French model	V : General export model (110V)
H : North European model	W : General export model (220V)
I : Indonesian model	N,X: General export model
J : Japanese model	Y : Export model
K : Korean model	

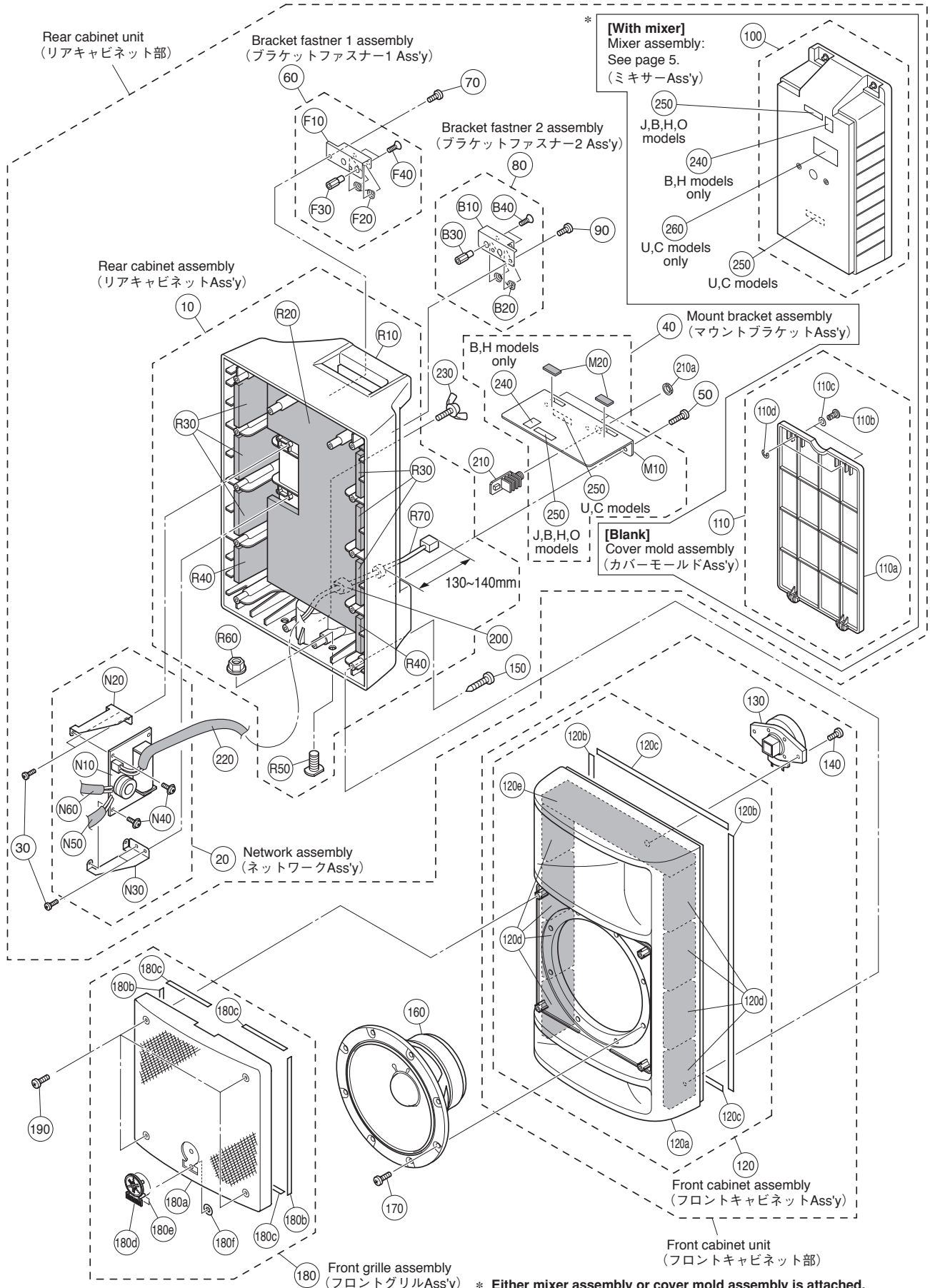
■ WARNING

Components having special characteristics are marked  and must be replaced with parts having specification equal to those originally installed.

 印の部品は、安全を維持するために重要な部品です。交換する場合は、安全のために必ず指定の部品をご使用ください。

- The numbers "QTY" show quantities for each unit.
- The parts with "--" in "PART NO." are not available as spare parts.
- This mark "}" in the REMARKS column means these parts are interchangeable.
- The second letter of the shaded (■) part number is O, not zero.
- The second letter of the shaded (■) part number is I, not one.
- 部品価格ランクは、変更になることがあります。
- QTY 欄に記載されている数字は、各ユニット当たりの使用個数です。
- PART NO. が "--" の部品は、サービス用部品として準備されておりません。
- REMARKS 欄の 「}」 マークの部品は、併用部品です。
- 網掛けの付いた PART NO. の 2 番目の文字は「ゼロ」ではなく、「オー」です。
- 網掛けの付いた PART NO. の 2 番目の文字は「イチ」ではなく、「アイ」です。

OVERALL ASSEMBLY (総組立)



* Either mixer assembly or cover mold assembly is attached.
 * ミキサーAss'yまたはカバーモールドAss'yのどちらかが取り付けられています。

REF NO.	PART NO.	DESCRIPTION		部 品 名	REMARKS	QTY	RANK
		OVERALL ASSEMBLY		総 組 立	STAGEPAS 500		
	--	Overall Assembly		総 組 立	J	440373	
	--	Overall Assembly		総 組 立	U,C	440374	
	--	Overall Assembly		総 組 立	B	440377	
	--	Overall Assembly		総 組 立	H	440378	
	--	Overall Assembly		総 組 立	O	440380	
* 10	WJ326600	Rear Cabinet Assembly		リアキャビネットA s s ' y			2
20	--	Network Assembly		ネットワークA s s ' y			2
* 30	WJ329200	Bind Head Tapping Screw-B	3.0X10 NI-BL	B タ イ ト + B I N D		410798	8
40	--	Mount Bracket Assembly		マウントB A s s ' y			2
* 50	WJ329500	Bind Head Tapping Screw-P	4.0X12 NI-BL	P タ イ ト + B I N D		425629	6
* 60	WJ327500	Bracket Fastner 1 Assembly		ブラケットF1 A s s ' y			2
* 70	WJ329500	Bind Head Tapping Screw-P	4.0X12 NI-BL	P タ イ ト + B I N D		425629	4
* 80	WJ327600	Bracket Fastner 2 Assembly		ブラケットF2 A s s ' y			2
* 90	WJ329500	Bind Head Tapping Screw-P	4.0X12 NI-BL	P タ イ ト + B I N D		425629	4
100	--	Mixer Assembly		ミキサーA s s ' y	J		
100	--	Mixer Assembly		ミキサーA s s ' y	U,C		
100	--	Mixer Assembly		ミキサーA s s ' y	B,H		
100	--	Mixer Assembly		ミキサーA s s ' y	O		
* 110	WJ365000	Cover Mold Assembly		カバーモールドA s s ' y			
* 110a	WJ362500	Cover Mold		カバ ー モ ー ル ド		442772	
* 110b	WJ492800	Fastner Head		ファ ス ナ ー ヘ ッ ド		413462	2
* 110c	WJ492600	Flat Washer	D9.5	特 殊 平 座 金		411068	2
* 110d	WJ492700	Ret-Ring	E4	リ ン グ		411064	2
* 120	WJ325800	Front Cabinet Assembly		フ ロ ン ト C A s s ' y			2
* 120a	WJ325900	Front Cabinet		フ ロ ン ト キ ャ ビ ネ ッ ト		441144	2
* 120b	WJ326000	Cushion	7.0X540	ガ ス ケ ッ ト		446799	4
* 120c	WJ326100	Cushion	7.0X345	ガ ス ケ ッ ト		446798	4
* 120d	WJ326400	Damping Material C	FELT SIDE	吸 音 材 C		446998	16
* 120e	WJ326500	Damping Material D	FELT TOP	吸 音 材 D		446999	2
* 130	X8440A00	Speaker HF		ス ピ ー カ H F	TWEETER	445977	2
* 140	WJ329100	Bind Head Tapping Screw-B	4.0X20 NI-BL	B タ イ ト + B I N D		410796	4
* 150	WJ329900	Bind Head Tapping Screw-A	5.0X45 NI-BL	A タ イ ト + B I N D		447892	28
* 160	X8439A00	Speaker LF		ス ピ ー カ L F	WOOFER	442206	2
* 170	WJ559700	Bind Head Tapping Screw-P	5.0X18 BL CR3	P タ イ ト + B I N D		448357	16
* 180	WJ325100	Front Grille Assembly		フ ロ ン ト グ リ ル A s s ' y			2
* 180a	WJ325200	Front Grille		フ ロ ン ト グ リ ル		441151	2
* 180b	WJ325600	Cushion Grille A		ク ッ シ ョ ン グ リ ル A		446797	4
* 180c	WJ559200	Cushion Grille B		ク ッ シ ョ ン グ リ ル B		450793	8
* 180d	WJ325400	Logo Badge		ロ ゴ バ ッ ジ	YAMAHA	441149	2
* 180e	WJ325300	Cushion Badge		ク ッ シ ョ ン バ ッ ジ		445103	2
* 180f	WJ325500	Bush Nut		ブ ッ シ ュ ナ ッ ト		031814	4
* 190	WJ329500	Bind Head Tapping Screw-P	4.0X12 NI-BL	P タ イ ト + B I N D		425629	8
* 200	WJ327400	Cushion Bush	10X20X0.9	ク ッ シ ョ ン		331850	2
* 210	WJ328300	Circuit Board	JACK	J A C K シ ー ト	WITH NUT	445546	2
210a	--	Hexagonal Nut	M15.0 BL	特 殊 六 角 ナ ッ ト			2
220	--	Cushion	40X400X2	ク ッ シ ョ ン		429166	2
* 230	WJ339300	Wing Bolt	M6.0X10 CR3	ち ょ う ボ ル ト		448348	2
240	--	Label, WEEE		W E E E マ ー ク ラ ベ ル	B,H	428263	3
250	--	Label, SERIAL		ラ ベ ル	J,B,H,O	082706	3
250	--	Label, SERIAL		ラ ベ ル	U,C	417569	3
260	--	Label, SERIAL		ラ ベ ル	U,C	450046	
* R10	WJ326600	Rear Cabinet Assembly		リアキャビネットA s s ' y			
* R10	WJ326800	Rear Cabinet		リ ア キ ャ ビ ネ ッ ト		441145	
* R20	WJ326200	Damping Material A	FELT REAR	吸 音 材 A		446996	
* R30	WJ326300	Damping Material B	FELT SIDE	吸 音 材 B		446997	6
* R40	WJ326400	Damping Material C	FELT SIDE	吸 音 材 C		446998	2
* R50	WJ286100	Misc Bolt		特 殊 ボ ル ト		410784	2
* R60	WJ285700	Flange Nut	M12.0 CR3	フ ラ ン ジ ナ ッ ト M 1 2		410781	2
* R70	WJ327300	Connector Assembly	SP VH-VH 2P-550	S P 束 線		448139	
* N10	WJ329800	Network Assembly		ネットワークA s s ' y			
* N10	WJ329800	Circuit Board	NETWORK	N E T W O R K シ ー ト		445546	
* N20	WJ328600	Holder C Network		ネットワーク固定金具C		370892	
* N30	WJ328700	Holder D Network		ネットワーク固定金具D		370893	
* N40	WJ329000	Pan Head Tapping Screw-B	3.0X8 CR3	B タ イ ト + P A N		410791	4
N50	--	Cushion	40X160X2	ク ッ シ ョ ン		404676	
N60	--	Cushion	40X90X2	ク ッ シ ョ ン		431397	

*: New Parts

RANK: Japan only

STAGEPAS 500

REF NO.	PART NO.	DESCRIPTION		部 品 名	REMARKS	QTY	RANK
	--	Mount Bracket Assembly		マウント B A s s ' y			
* M10	WJ329600	Mount Bracket		マウントブラケット	451344		
* M20	WJ559600	Cushion	20X20X2	ク ッ シ ョ ン	450795	2	
	WJ327500	Bracket Fastner 1 Assembly		ブラケット F 1 A s s ' y			
* F10	WJ327700	Fastner 1 Bracket		ファスナー 1 ブラケット	439681		
* F20	WJ328000	Spring		バ ネ	411059		
* F30	WJ327900	Spacer		ス ペ ー サ ー	416617	2	
* F40	WJ328200	Flat Head Screw	M3.0X8 NI-BL	小 ネ ジ + F L A T	415242	2	
	WJ327600	Bracket Fastner 2 Assembly		ブラケット F 2 A s s ' y			
* B10	WJ327800	Fastner 2 Bracket		ファスナー 2 ブラケット	441147		
* B20	WJ328000	Spring		バ ネ	411059		
* B30	WJ327900	Spacer		ス ペ ー サ ー	416617	2	
* B40	WJ328200	Flat Head Screw	M3.0X8 NI-BL	小 ネ ジ + F L A T	415242	2	
		ACCESSORIES		付 属 品			
	WG261700	AC Cord	J	電 源 ケ ー ブ ル	J	414427	08
	AAX69550	Label Caution		ラ ベ ル	J	415042	
	WG261800	AC Cord	U	電 源 ケ ー ブ ル	U,C	369532	08
	WG262000	AC Cord	E	電 源 ケ ー ブ ル	H	417976	08
	WH221600	AC Cord	BS	電 源 ケ ー ブ ル	B	417977	12
	AAX69560	AC Cord	O (CHN)	電 源 ケ ー ブ ル	O	414426	12
	WJ329300	Speaker Cable		ス ピ ー カ ー ケ ー ブ ル		416441	2

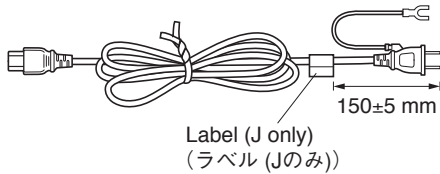


*: New Parts

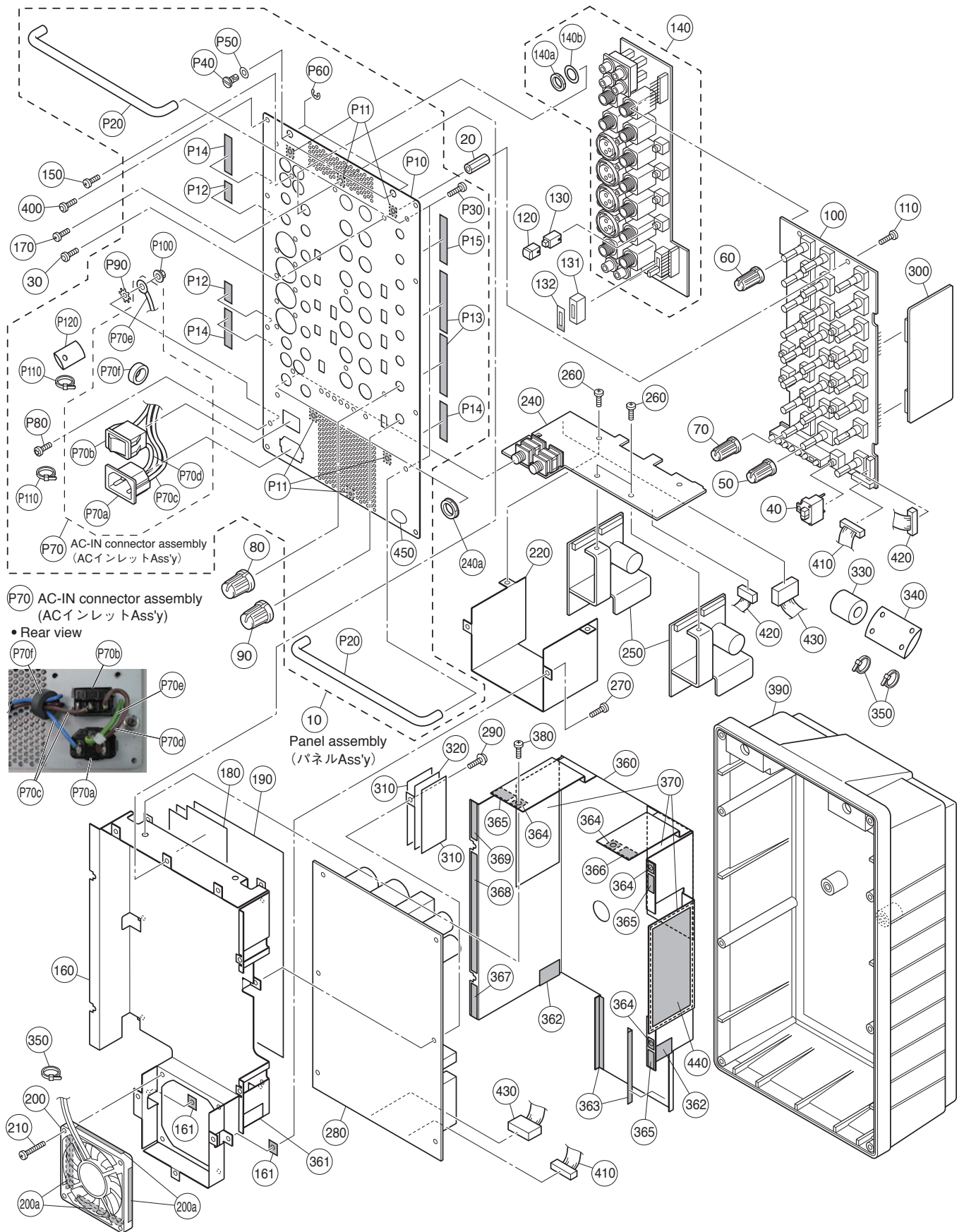
RANK: Japan only

• AC Cord (J model)

(電源ケーブル)



MIXER ASSEMBLY (ミキサー Ass'y)



STAGEPAS 500

REF NO.	PART NO.	DESCRIPTION	部 品 名	REMARKS	QTY	RANK
	--	MIXER ASSEMBLY	ミキサーアッセンブリ	STAGEPAS 500		
	--	Mixer Assembly	ミキサーアッセンブリ	J		
	--	Mixer Assembly	ミキサーアッセンブリ	U,C		
	--	Mixer Assembly	ミキサーアッセンブリ	B,H		
	--	Mixer Assembly	ミキサーアッセンブリ	O		
10	--	Panel Assembly	パネルアッセンブリ	J,U,C		
10	--	Panel Assembly	パネルアッセンブリ	B,H		
10	--	Panel Assembly	パネルアッセンブリ	O		
20	AAX61760	Spacer	L16	411063	5	
30	AAX61840	Hexagonal Screw	M3.0X8 NI-BL	411066	5	
40	V9664700	Push Button Milky/D-Gray	プッシュボタン	SPEECH/MUSIC,LIMIT/COMP, REVERB	7	01
				410350		
50	V9665200	Volume Knob White/Gray	S	ノブVR(S)	410354	01
60	V9665300	Volume Knob Green/Gray	S	ノブVR(S)	410355	14
70	V9665400	Volume Knob Blue/Gray	S	ノブVR(S)	410356	01
80	WA009900	Volume Knob White/M-Gray		ノブVR	LEVEL (CH1-4,5/6,7/8,9/10)	7
				410358		
90	WA010000	Volume Knob Red/M-Gray		ノブVR	LEVEL (MASTER)	410359
100	WJ336600	Circuit Board	CONTROL2 (2/3)	CONTROL2シート	444603	
110	AAX61910	Bind Head Screw	M3.0X8 CR3	小ネジ+BIND	410792	5
120	V9664800	Push Button White/D-Gray		プッシュボタン	MIC/LINE	410353
130	AAX61920	Push Spacer		プッシュスペーサ	411147	4
131	--	Cushion, SW		クッションSW	450515	
132	--	Deco Sheet		デコシート	450517	
140	WJ336500	Circuit Board	CONTROL1 (1/3)	CONTROL1シート	444603	
140a	--	Hexagonal Nut	M11.0	特殊六角ナット		10
140b	--	Flat Washer	M9.2	特殊平座金		10
150	WJ329200	Bind Head Tapping Screw-B	3.0X10 NI-BL	Bタイト+BIND	410798	10
160	--	Shield Bracket 1		シールドブラケット1	450622	
161	--	Cushion	5X5XD3.2	クッション	451406	2
170	WJ329200	Bind Head Tapping Screw-B	3.0X10 NI-BL	Bタイト+BIND	410798	6
180	--	Shield Plate, POWER		シールド板 POWER	447998	
190	--	Insulation Sheet, POWER		絶縁板シート POWER	449424	
200	WJ344200	Fan	7015M12F ND4 LF	ファン	445184	
200a	--	Cushion	6X55	クッション	448356	4
210	WK008800	Bind Head Tapping Screw-B	3.0X20 NI-BL	Bタイト+BIND	448355	4
220	--	Phone Bracket		ホンブラケット	439640	
240	WJ336700	Circuit Board	CONTROL3 (3/3)	CONTROL3シート	444603	
240a	--	Hexagonal Nut	M15.0 BL	特殊六角ナット		2
250	WJ337100	Circuit Board	AMP	AMPシート	444611	2
260	AAX61980	Bind Head Tapping Screw-B	3.0X8 CR3	Bタイト+BIND	410797	4
270	AAX61980	Bind Head Tapping Screw-B	3.0X8 CR3	Bタイト+BIND	410797	2
280	WJ336200	Circuit Board	POWER	POWERシート	444598	
280	WJ336300	Circuit Board	POWER	POWERシート	444744	
290	WJ329000	Pan Head Tapping Screw-B	3.0X8 CR3	Bタイト+PAN	410791	6
300	WJ336900	Circuit Board	DSP	DSPシート	444608	
310	--	Insulation Sheet, DSP		絶縁板シート DSP	447994	2
320	--	Shield Bracket 3		シールドブラケット3	447118	
330	--	Ferrite Core	TFCM-16-8-16	フェライトコア	353161	
340	--	Insulator		絶縁材	391242	
350	AAX63240	Cord Holder	SKB-1M WH	インシュロックタイ	080558	3
360	--	Shield Bracket 2		シールドブラケット2	450623	
361	--	Mold Edge Guard	L10	モールドエッジガード	451340	
362	--	Mold Edge Guard	L20	モールドエッジガード	371112	2
363	--	Cushion	5X58	クッション	451405	2
364	--	Cushion	5X5XD3.2	クッション	451406	4
365	--	Cushion	5X15	クッション	448474	3
366	--	Cushion	5X10	クッション	448475	
367	--	Cushion	5X30	クッション	448471	
368	--	Cushion	5X110	クッション	448473	
369	--	Cushion	5X40	クッション	448472	
370	--	Insulation Sheet	50X100X0.5	絶縁板シート	447966	3
380	AAX61980	Bind Head Tapping Screw-B	3.0X8 CR3	Bタイト+BIND	410797	4
390	WJ362300	Rear Case		リアケース	439472	
390	WJ362400	Rear Case		リアケース	446640	
400	AAX62010	Hexagonal Tapping Screw-B	3.0X8 NI-BL	六角ネジBタイト	411067	8
410	WJ586400	Connector Assembly	EH 8P 80L	束線 8P	446691	
420	WJ586500	Connector Assembly	PH 8P 80L	束線 8P	446692	
430	WJ586600	Connector Assembly	VH 5P 145L	束線 5P	446693	
440	--	Cushion	40X90X2	クッション	431397	

*: New Parts

RANK: Japan only

REF NO.	PART NO.	DESCRIPTION	部 品 名	REMARKS	QTY	RANK
450	--	Label	ラ ベ ル	O	454780	
	--	Panel Assembly	パ ネ ル A s s ' y	J,U,C		
	--	Panel Assembly	パ ネ ル A s s ' y	B,H		
	--	Panel Assembly	パ ネ ル A s s ' y	O		
* P10	WJ362600	Panel	パ ネ ル	J,U,C	449707	
* P10	WJ362700	Panel	パ ネ ル	B,H	452823	
* P10	WJ362800	Panel	パ ネ ル	O	452825	
P11	--	Cushion	ク ッ シ ョ ン		451406	6
P12	--	Cushion	ク ッ シ ョ ン		451475	2
P13	--	Cushion	ク ッ シ ョ ン		451405	2
P14	--	Cushion	ク ッ シ ョ ン		448471	3
P15	--	Cushion	ク ッ シ ョ ン		448472	
* P20	WJ362900	Handle	ハ ン ド ル		441152	2
P30	AAX61910	Bind Head Screw	小 ネ ジ + B I N D		410792	4
P40	WJ492800	Fastner Head	フ ァ ス ナ ー ヘ ッ ド		413462	2
* P50	WJ492600	Flat Washer	特 殊 平 座 金		411068	2
* P60	WJ492700	Ret-Ring	リ ン グ		411064	2
P70	--	AC-IN Connector Assembly	A C イ ン レ ッ ト A s s ' y			
* P70a	WJ614300	AC Inlet	A C イ ン レ ッ ト	AC IN	446340	
P70b	AAX61860	Switch	シ ー ソ ー S W	POWER ON/OFF	413658	12
* P70c	WJ586700	Connector Assembly	束 線 2 P		446694	
P70d	--	Connector Assembly	束 線 1 P		407775	
* P70e	WJ586800	Earth Wire	ア ー ス 線		446695	
P70f	--	Ferrite Core	フ ェ ラ イ ト コ ア		412809	
P80	AAX61870	Screw	P I N T O R X ネ ジ		410787	
P90	AAX61880	Toothed Lock Washer B	歯 付 座 金 外 歯 形		410783	
P100	AAX61890	Hexagonal Nut	フ ラ ン ジ 付 き 六 角 ナ ッ ト		410782	
P110	AAX63240	Cord Holder	イ ン シ ュ ロ ッ ク タ イ		080558	2
P120	--	Insulator Tube	絶 縁 チ ュ ー ブ		415131	

*: New Parts

RANK: Japan only

ELECTRICAL PARTS (電気部品)

AMP

REF NO.	PART NO.	DESCRIPTION	部 品 名	REMARKS	QTY	RANK
		ELECTRICAL PARTS	電 気 部 品	STAGEPAS 500		
*	WJ337100	Circuit Board	A M P シ ー ト	(4200-30) 444611		
*	WJ336500	Circuit Board	C O N T R O L 1 シ ー ト	(6486-30) 444603		
*	WJ336600	Circuit Board	C O N T R O L 2 シ ー ト	(6486-30) 444603		
*	WJ336700	Circuit Board	C O N T R O L 3 シ ー ト	(6486-30) 444603		
*	WJ336900	Circuit Board	D S P シ ー ト	(1043-40) 444608		
*	WJ328300	Circuit Board	J A C K シ ー ト	(5254B-30) 445546		
*	WJ329800	Circuit Board	N E T W O R K シ ー ト	(5254A-30) 445546		
*	WJ336200	Circuit Board	P O W E R シ ー ト	(8146-40) 444598	J,U,C	
*	WJ336300	Circuit Board	P O W E R シ ー ト	(8146-40) 444744	B,H,O	
*	WJ337100	Circuit Board	A M P シ ー ト	(4200-30) 444611		
	AAX61980	Bind Head Tapping Screw-B	B タ イ ト + B I N D	410797		
	--	Plastic Washer	プ ラ ス チ ッ ク ワ ッ シ ャ ー	417384	2	
	--	Flat Spring Washer	平 バ ネ 座 金	417385	2	
	--	Hexagonal Nut	六 角 ナ ッ ト	422987	2	
	--	Bind Head Screw	小 ネ ジ + B I N D	433391	2	
	--	Heat Sink	ヒ ー ト シ ン ク	439634		
* 1100	WJ593500	Connector Base Post	コ ネ ク タ 1 1 P	444628		
* 1101	WJ593600	Connector Base Post	コ ネ ク タ 1 0 P	444629		
* 2100	WJ592300	Ceramic Capacitor (chip)	チ ッ プ セ ラ コ ン	431122		
* 2101	WJ589400	Electrolytic Cap.	ケ ミ コ ン	444622		
* 2102	WJ592300	Ceramic Capacitor (chip)	チ ッ プ セ ラ コ ン	431122		
* 2103	AAX62730	Ceramic Capacitor (chip)	チ ッ プ セ ラ コ ン	368353		
* 2104	WJ284400	Electrolytic Cap.	ケ ミ コ ン	422175		
* 2105	WJ592300	Ceramic Capacitor (chip)	チ ッ プ セ ラ コ ン	431122		
* 2106	WJ591500	Ceramic Capacitor (chip)	チ ッ プ セ ラ コ ン	442682		
* 2107	AAX63020	Ceramic Capacitor (chip)	チ ッ プ セ ラ コ ン	065501		
* 2108	AAX63500	Electrolytic Cap.	ケ ミ コ ン	066700	01	
* 2109	WJ592100	Ceramic Capacitor (chip)	チ ッ プ セ ラ コ ン	334335		
* 2110	WJ591300	Ceramic Capacitor (chip)	チ ッ プ セ ラ コ ン	420810		
* 2111	WJ591100	Ceramic Capacitor (chip)	チ ッ プ セ ラ コ ン	065562		
* 2112	WJ592300	Ceramic Capacitor (chip)	チ ッ プ セ ラ コ ン	431122		
* 2113	WJ588100	Mylar Capacitor	マ イ ラ コ ン	056221		
* 2114	WJ592300	Ceramic Capacitor (chip)	チ ッ プ セ ラ コ ン	431122		
* 2115	AAX63020	Ceramic Capacitor (chip)	チ ッ プ セ ラ コ ン	065501		
* 2116	WJ591300	Ceramic Capacitor (chip)	チ ッ プ セ ラ コ ン	420810		
* 2117	WJ592100	Ceramic Capacitor (chip)	チ ッ プ セ ラ コ ン	334335		
* 2118	WJ591100	Ceramic Capacitor (chip)	チ ッ プ セ ラ コ ン	065562		
* 2119	WJ591500	Ceramic Capacitor (chip)	チ ッ プ セ ラ コ ン	442682		
* 2120	WJ592100	Ceramic Capacitor (chip)	チ ッ プ セ ラ コ ン	334335		
* 2121	WJ284400	Electrolytic Cap.	ケ ミ コ ン	422175		
* 2122	WJ592300	Ceramic Capacitor (chip)	チ ッ プ セ ラ コ ン	431122		
* 2123	AAX62730	Ceramic Capacitor (chip)	チ ッ プ セ ラ コ ン	368353		
* 2124	WJ589400	Electrolytic Cap.	ケ ミ コ ン	444622		
* 2125	WJ592300	Ceramic Capacitor (chip)	チ ッ プ セ ラ コ ン	431122		
* 2126	WJ592300	Ceramic Capacitor (chip)	チ ッ プ セ ラ コ ン	431122		
* 3100	AAX63150	Carbon Resistor (chip)	チ ッ プ 抵 抗	067492	01	
* 3101	WJ607800	Carbon Resistor (chip)	チ ッ プ 抵 抗	446650		
* 3102	AAX62900	Carbon Resistor (chip)	チ ッ プ 抵 抗	067544		
* 3103	AAX63120	Carbon Resistor (chip)	チ ッ プ 抵 抗	067500		
* 3104	AAX62800	Carbon Resistor (chip)	チ ッ プ 抵 抗	067546		
* 3105	AAX62780	Carbon Resistor (chip)	チ ッ プ 抵 抗	067532		
* 3106	AAX62810	Carbon Resistor (chip)	チ ッ プ 抵 抗	067495		
* 3107	AAX62800	Carbon Resistor (chip)	チ ッ プ 抵 抗	067546		
* 3108	WJ600000	Carbon Resistor (chip)	チ ッ プ 抵 抗	067675		
* 3109	AAX62890	Carbon Resistor (chip)	チ ッ プ 抵 抗	067540		
* 3110	WJ600100	Carbon Resistor (chip)	チ ッ プ 抵 抗	085399		
* 3111	WJ599700	Carbon Resistor (chip)	チ ッ プ 抵 抗	067538		
* 3112	AAX64070	Carbon Resistor (chip)	チ ッ プ 抵 抗	067504		
* 3113	AAX63800	Carbon Resistor (chip)	チ ッ プ 抵 抗	067562		
* 3114	AAX62900	Carbon Resistor (chip)	チ ッ プ 抵 抗	067544		
* 3115	AAX64100	Carbon Resistor (chip)	チ ッ プ 抵 抗	067503		
* 3116	AAX63100	Carbon Resistor (chip)	チ ッ プ 抵 抗	067514		
* 3117	AAX62810	Carbon Resistor (chip)	チ ッ プ 抵 抗	067495		
* 3118	AAX64070	Carbon Resistor (chip)	チ ッ プ 抵 抗	067504		
* 3119	WJ606700	Carbon Resistor (chip)	チ ッ プ 抵 抗	067558		
* 3120	AAX64100	Carbon Resistor (chip)	チ ッ プ 抵 抗	067503		
* 3121	WJ611600	Positive Thermistor	ポ ジ ス	432431		
* 3122	AAX63100	Carbon Resistor (chip)	チ ッ プ 抵 抗	067514		

*: New Parts

RANK: Japan only

AMP and CONTROL1 (1/3)/CONTROL2 (2/3)/CONTROL3 (3/3)

REF NO.	PART NO.	DESCRIPTION	部 品 名	REMARKS	QTY	RANK
	3123	Carbon Resistor (chip)	1K J	チ ッ プ 抵 抗	067495	
*	3124	Carbon Resistor (chip)	10 J	チ ッ プ 抵 抗	067675	
*	3125	Carbon Resistor (chip)	27 J	チ ッ プ 抵 抗	085399	
*	3126	Carbon Resistor (chip)	390 J	チ ッ プ 抵 抗	067538	
	3127	Carbon Resistor (chip)	470 J	チ ッ プ 抵 抗	067544	
	3128	Carbon Resistor (chip)	1.2K J	チ ッ プ 抵 抗	067503	
	3129	Carbon Resistor (chip)	1K J	チ ッ プ 抵 抗	067495	
	3130	Carbon Resistor (chip)	680 J	チ ッ プ 抵 抗	067557	
	3131	Carbon Resistor (chip)	560 J	チ ッ プ 抵 抗	067551	
	3132	Carbon Resistor (chip)	680 J	チ ッ プ 抵 抗	067557	
	3133	Carbon Resistor (chip)	1M J	チ ッ プ 抵 抗	067500	
*	3134	Carbon Resistor (chip)	0.047 J	チ ッ プ 抵 抗	446650	01
	3135	Carbon Resistor (chip)	10 J	チ ッ プ 抵 抗	067492	
*	3136	Carbon Resistor (chip)	15K J	チ ッ プ 抵 抗	067709	
*	3137	Trimmer Potentiometer	RH063LC12R 100R T	半 固 定 可 変 抵 抗 器	432521	
*	3138	Carbon Resistor (chip)	100 J	チ ッ プ 抵 抗	067493	
*	3139	Carbon Resistor (chip)	100 J	チ ッ プ 抵 抗	067493	
	3140	Carbon Resistor (chip)	0.00 J	チ ッ プ 抵 抗	067491	
	3141	Carbon Resistor (chip)	47K J	チ ッ プ 抵 抗	067546	
	3142	Carbon Resistor (chip)	27K J	チ ッ プ 抵 抗	067527	
*	5100	Coil	BLM41PG750SN1L T	コ イ ル	432423	
*	5101	Coil	Y06013-2 LF 30uH	コ イ ル	444627	
*	5102	Coil	BLM21PG221SN1D T	コ イ ル	432422	
*	5103	Coil	BLM41PG750SN1L T	コ イ ル	432423	
*	6100	Diode	BAS316 T LF	ダ イ オード	432426	
*	6101	Diode	BAS316 T LF	ダ イ オード	432426	
*	6102	Diode	1PS76SB10 T LF	ダ イ オード	432425	
*	6103	Zener Diode	PDZ-12B T LF	ツェナーダイオード	432427	
*	6104	Diode	1SS370(TE85L F) T	ダ イ オード	432574	
*	6105	Zener Diode	PDZ-3.3B T LF	ツェナーダイオード	432428	
*	6106	Diode	1SS370(TE85L F) T	ダ イ オード	432574	
*	6107	Diode	1PS76SB10 T LF	ダ イ オード	432425	
*	6108	Diode	BAS316 T LF	ダ イ オード	432426	
*	6109	Diode	1PS76SB10 T LF	ダ イ オード	432425	
*	6110	Diode	1PS76SB10 T LF	ダ イ オード	432425	
*	7100	Transistor	BC856BW T LF	ト ラ ン ジ ス タ	432438	
*	7101	Transistor	2SA1587-GR(TE85L F)	ト ラ ン ジ ス タ	432433	
*	7102	Transistor	BC856BW T LF	ト ラ ン ジ ス タ	432438	
*	7103	FET	2SK3607-01MR LF	F E T	444643	
*	7104	Transistor	BC857CW T LF	ト ラ ン ジ ス タ	432439	
*	7105	Transistor	2SA1954-B(TE85L F)	ト ラ ン ジ ス タ	432434	
*	7107	Transistor	BC856BW T LF	ト ラ ン ジ ス タ	432438	
*	7108	Transistor	BC856BW T LF	ト ラ ン ジ ス タ	432438	
*	7109	FET	2SK3607-01MR LF	F E T	444643	
*	7110	Transistor	BC857CW T LF	ト ラ ン ジ ス タ	432439	
*	7112	Transistor	2SA1954-B(TE85L F)	ト ラ ン ジ ス タ	432434	
*	7113	Transistor	BC847CW T LF	ト ラ ン ジ ス タ	432437	
*	7114	Transistor	BC847CW T LF	ト ラ ン ジ ス タ	432437	
*	7115	Transistor	BC846BW T LF	ト ラ ン ジ ス タ	432436	
*	7116	Transistor	BC847CW T LF	ト ラ ン ジ ス タ	432437	
*	7117	Transistor	BC847CW T LF	ト ラ ン ジ ス タ	432437	
*	7119	Transistor	2SC2713-GR(T5L F T)	ト ラ ン ジ ス タ	432435	
*	7120	Transistor	2SC2713-GR(T5L F T)	ト ラ ン ジ ス タ	432435	
*	WJ336500	Circuit Board	CONTROL1 (1/3)	C O N T R O L 1 シ ー ト	(6486-30) 444603	
*	WJ336600	Circuit Board	CONTROL2 (2/3)	C O N T R O L 2 シ ー ト	(6486-30) 444603	
*	WJ336700	Circuit Board	CONTROL3 (3/3)	C O N T R O L 3 シ ー ト	(6486-30) 444603	
	--	LED Holder		L E D ホ ル ダ ー	440176	
C101	AAX62930	Electrolytic Cap. (chip)	22/50V	チ ッ プ ケ ミ コ ン	412427	
C102	AAX62930	Electrolytic Cap. (chip)	22/50V	チ ッ プ ケ ミ コ ン	412427	
C103	AAX62940	Ceramic Capacitor (chip)	470P 50V J	チ ッ プ セ ラ コ ン	378052	
-108	AAX62940	Ceramic Capacitor (chip)	470P 50V J	チ ッ プ セ ラ コ ン	378052	
C109	AAX62960	Ceramic Capacitor (chip)	27P 50V J	チ ッ プ セ ラ コ ン	368358	
C110	AAX62960	Ceramic Capacitor (chip)	27P 50V J	チ ッ プ セ ラ コ ン	368358	
C111	AAX63000	Ceramic Capacitor (chip)	100P 50V J	チ ッ プ セ ラ コ ン	065473	
C112	AAX63950	Mylar Capacitor	0.039 50V J	マ イ ラ コ ン	065104	
C113	AAX62720	Ceramic Capacitor (chip)	47P 50V J	チ ッ プ セ ラ コ ン	065490	
C114	AAX63360	Electrolytic Cap.	10/50V	ケ ミ コ ン	407785	
C115	AAX63960	Mylar Capacitor	820P 50V J	マ イ ラ コ ン	065144	
C116	AAX63000	Ceramic Capacitor (chip)	100P 50V J	チ ッ プ セ ラ コ ン	065473	

*: New Parts

RANK: Japan only

CONTROL1 (1/3)/CONTROL2 (2/3)/CONTROL3 (3/3)

REF NO.	PART NO.	DESCRIPTION		部 品 名	REMARKS	QTY	RANK
C117	AAx63360	Electrolytic Cap.	10/50V	ケ ミ コ ン		407785	
C118	AAx62970	Electrolytic Cap. (chip)	47/25V	チ ッ プ ケ ミ コ ン		412426	
C119	AAx63360	Electrolytic Cap.	10/50V	ケ ミ コ ン		407785	
C122	AAx62970	Electrolytic Cap. (chip)	47/25V	チ ッ プ ケ ミ コ ン		412426	
C123	AAx63360	Electrolytic Cap.	10/50V	ケ ミ コ ン		407785	
C127	AAx34520	Mylar Capacitor	0.1 50V J	マ イ ラ コ ン		064908	03
C128	AAx34520	Mylar Capacitor	0.1 50V J	マ イ ラ コ ン		064908	03
C129	AAx62980	Ceramic Capacitor (chip)	220P 50V J	チ ッ プ セ ラ コ ン		065484	
C131	AAx63000	Ceramic Capacitor (chip)	100P 50V J	チ ッ プ セ ラ コ ン		065473	
C132	AAx62720	Ceramic Capacitor (chip)	47P 50V J	チ ッ プ セ ラ コ ン		065490	
C133	AAx62990	Electrolytic Cap. (chip)	10/35V	チ ッ プ ケ ミ コ ン		412428	
C134	AAx62930	Electrolytic Cap. (chip)	22/50V	チ ッ プ ケ ミ コ ン		412427	
C135	AAx62930	Electrolytic Cap. (chip)	22/50V	チ ッ プ ケ ミ コ ン		412427	
* C136	WJ590500	Electrolytic Cap. (chip)	47/35V	チ ッ プ ケ ミ コ ン		426065	
* C138	WJ588900	Electrolytic Cap.	47/35V	ケ ミ コ ン		429112	
* C139	WJ588900	Electrolytic Cap.	47/35V	ケ ミ コ ン		429112	
C141	AAx63000	Ceramic Capacitor (chip)	100P 50V J	チ ッ プ セ ラ コ ン		065473	
C146	AAx62720	Ceramic Capacitor (chip)	47P 50V J	チ ッ プ セ ラ コ ン		065490	
* C147	WJ591200	Ceramic Capacitor (chip)	5P 50V C	チ ッ プ セ ラ コ ン		368363	
C148	AAx63000	Ceramic Capacitor (chip)	100P 50V J	チ ッ プ セ ラ コ ン		065473	
C149	AAx63010	Ceramic Capacitor (chip)	22P 50V	チ ッ プ セ ラ コ ン		065483	
C152	AAx62730	Ceramic Capacitor (chip)	0.01 50V K	チ ッ プ セ ラ コ ン		368353	
C153	AAx63000	Ceramic Capacitor (chip)	100P 50V J	チ ッ プ セ ラ コ ン		065473	
* C154	WJ588900	Electrolytic Cap.	47/35V	ケ ミ コ ン		429112	
* C156	WJ592200	Ceramic Capacitor (chip)	0.1 25V K	チ ッ プ セ ラ コ ン		374404	
C201	AAx62930	Electrolytic Cap. (chip)	22/50V	チ ッ プ ケ ミ コ ン		412427	
C202	AAx62930	Electrolytic Cap. (chip)	22/50V	チ ッ プ ケ ミ コ ン		412427	
C203	AAx62940	Ceramic Capacitor (chip)	470P 50V J	チ ッ プ セ ラ コ ン		378052	
-208	AAx62940	Ceramic Capacitor (chip)	470P 50V J	チ ッ プ セ ラ コ ン		378052	
C209	AAx62960	Ceramic Capacitor (chip)	27P 50V J	チ ッ プ セ ラ コ ン		368358	
C210	AAx62960	Ceramic Capacitor (chip)	27P 50V J	チ ッ プ セ ラ コ ン		368358	
C211	AAx63000	Ceramic Capacitor (chip)	100P 50V J	チ ッ プ セ ラ コ ン		065473	
C212	AAx63950	Mylar Capacitor	0.039 50V J	マ イ ラ コ ン		065104	
C213	AAx62720	Ceramic Capacitor (chip)	47P 50V J	チ ッ プ セ ラ コ ン		065490	
C214	AAx63360	Electrolytic Cap.	10/50V	ケ ミ コ ン		407785	
C215	AAx63960	Mylar Capacitor	820P 50V J	マ イ ラ コ ン		065144	
C216	AAx63000	Ceramic Capacitor (chip)	100P 50V J	チ ッ プ セ ラ コ ン		065473	
C217	AAx63360	Electrolytic Cap.	10/50V	ケ ミ コ ン		407785	
C218	AAx62970	Electrolytic Cap. (chip)	47/25V	チ ッ プ ケ ミ コ ン		412426	
C219	AAx63360	Electrolytic Cap.	10/50V	ケ ミ コ ン		407785	
C222	AAx62970	Electrolytic Cap. (chip)	47/25V	チ ッ プ ケ ミ コ ン		412426	
C223	AAx63360	Electrolytic Cap.	10/50V	ケ ミ コ ン		407785	
C227	AAx34520	Mylar Capacitor	0.1 50V J	マ イ ラ コ ン		064908	03
C228	AAx34520	Mylar Capacitor	0.1 50V J	マ イ ラ コ ン		064908	03
C229	AAx62980	Ceramic Capacitor (chip)	220P 50V J	チ ッ プ セ ラ コ ン		065484	
C231	AAx63000	Ceramic Capacitor (chip)	100P 50V J	チ ッ プ セ ラ コ ン		065473	
C232	AAx62720	Ceramic Capacitor (chip)	47P 50V J	チ ッ プ セ ラ コ ン		065490	
C233	AAx62990	Electrolytic Cap. (chip)	10/35V	チ ッ プ ケ ミ コ ン		412428	
C234	AAx62930	Electrolytic Cap. (chip)	22/50V	チ ッ プ ケ ミ コ ン		412427	
C235	AAx62930	Electrolytic Cap. (chip)	22/50V	チ ッ プ ケ ミ コ ン		412427	
* C236	WJ590500	Electrolytic Cap. (chip)	47/35V	チ ッ プ ケ ミ コ ン		426065	
* C238	WJ588900	Electrolytic Cap.	47/35V	ケ ミ コ ン		429112	
* C239	WJ588900	Electrolytic Cap.	47/35V	ケ ミ コ ン		429112	
C241	AAx63000	Ceramic Capacitor (chip)	100P 50V J	チ ッ プ セ ラ コ ン		065473	
C246	AAx62720	Ceramic Capacitor (chip)	47P 50V J	チ ッ プ セ ラ コ ン		065490	
* C247	WJ591200	Ceramic Capacitor (chip)	5P 50V C	チ ッ プ セ ラ コ ン		368363	
C248	AAx63000	Ceramic Capacitor (chip)	100P 50V J	チ ッ プ セ ラ コ ン		065473	
C249	AAx63010	Ceramic Capacitor (chip)	22P 50V	チ ッ プ セ ラ コ ン		065483	
C252	AAx62730	Ceramic Capacitor (chip)	0.01 50V K	チ ッ プ セ ラ コ ン		368353	
C253	AAx63000	Ceramic Capacitor (chip)	100P 50V J	チ ッ プ セ ラ コ ン		065473	
* C254	WJ588900	Electrolytic Cap.	47/35V	ケ ミ コ ン		429112	
* C256	WJ592200	Ceramic Capacitor (chip)	0.1 25V K	チ ッ プ セ ラ コ ン		374404	
C301	AAx62930	Electrolytic Cap. (chip)	22/50V	チ ッ プ ケ ミ コ ン		412427	
C302	AAx62930	Electrolytic Cap. (chip)	22/50V	チ ッ プ ケ ミ コ ン		412427	
C303	AAx62940	Ceramic Capacitor (chip)	470P 50V J	チ ッ プ セ ラ コ ン		378052	
-308	AAx62940	Ceramic Capacitor (chip)	470P 50V J	チ ッ プ セ ラ コ ン		378052	
C309	AAx62960	Ceramic Capacitor (chip)	27P 50V J	チ ッ プ セ ラ コ ン		368358	
C310	AAx62960	Ceramic Capacitor (chip)	27P 50V J	チ ッ プ セ ラ コ ン		368358	
C311	AAx63000	Ceramic Capacitor (chip)	100P 50V J	チ ッ プ セ ラ コ ン		065473	
C312	AAx63950	Mylar Capacitor	0.039 50V J	マ イ ラ コ ン		065104	

*: New Parts

RANK: Japan only

CONTROL1 (1/3)/CONTROL2 (2/3)/CONTROL3 (3/3)

REF NO.	PART NO.	DESCRIPTION	部 品 名	REMARKS	QTY	RANK
C313	AA X62720	Ceramic Capacitor (chip)	47P 50V J	チ ッ プ セ ラ コ ン	065490	
C314	AA X63360	Electrolytic Cap.	10/50V	ケ ミ コ ン	407785	
C315	AA X63960	Mylar Capacitor	820P 50V J	マ イ ラ コ ン	065144	
C316	AA X63000	Ceramic Capacitor (chip)	100P 50V J	チ ッ プ セ ラ コ ン	065473	
C317	AA X63360	Electrolytic Cap.	10/50V	ケ ミ コ ン	407785	
C318	AA X62970	Electrolytic Cap. (chip)	47/25V	チ ッ プ ケ ミ コ ン	412426	
C322	AA X62970	Electrolytic Cap. (chip)	47/25V	チ ッ プ ケ ミ コ ン	412426	
C329	AA X62980	Ceramic Capacitor (chip)	220P 50V J	チ ッ プ セ ラ コ ン	065484	
C334	AA X62930	Electrolytic Cap. (chip)	22/50V	チ ッ プ ケ ミ コ ン	412427	
C335	AA X62930	Electrolytic Cap. (chip)	22/50V	チ ッ プ ケ ミ コ ン	412427	
* C336	W J590500	Electrolytic Cap. (chip)	47/35V	チ ッ プ ケ ミ コ ン	426065	
C346	AA X62720	Ceramic Capacitor (chip)	47P 50V J	チ ッ プ セ ラ コ ン	065490	
C401	AA X62930	Electrolytic Cap. (chip)	22/50V	チ ッ プ ケ ミ コ ン	412427	
C402	AA X62930	Electrolytic Cap. (chip)	22/50V	チ ッ プ ケ ミ コ ン	412427	
C403	AA X62940	Ceramic Capacitor (chip)	470P 50V J	チ ッ プ セ ラ コ ン	378052	
-408	AA X62940	Ceramic Capacitor (chip)	470P 50V J	チ ッ プ セ ラ コ ン	378052	
C409	AA X62960	Ceramic Capacitor (chip)	27P 50V J	チ ッ プ セ ラ コ ン	368358	
C410	AA X62960	Ceramic Capacitor (chip)	27P 50V J	チ ッ プ セ ラ コ ン	368358	
C411	AA X63000	Ceramic Capacitor (chip)	100P 50V J	チ ッ プ セ ラ コ ン	065473	
C412	AA X63950	Mylar Capacitor	0.039 50V J	マ イ ラ コ ン	065104	
C413	AA X62720	Ceramic Capacitor (chip)	47P 50V J	チ ッ プ セ ラ コ ン	065490	
C414	AA X63360	Electrolytic Cap.	10/50V	ケ ミ コ ン	407785	
C415	AA X63960	Mylar Capacitor	820P 50V J	マ イ ラ コ ン	065144	
C416	AA X63000	Ceramic Capacitor (chip)	100P 50V J	チ ッ プ セ ラ コ ン	065473	
C417	AA X63360	Electrolytic Cap.	10/50V	ケ ミ コ ン	407785	
C418	AA X62970	Electrolytic Cap. (chip)	47/25V	チ ッ プ ケ ミ コ ン	412426	
C422	AA X62970	Electrolytic Cap. (chip)	47/25V	チ ッ プ ケ ミ コ ン	412426	
C429	AA X62980	Ceramic Capacitor (chip)	220P 50V J	チ ッ プ セ ラ コ ン	065484	
C434	AA X62930	Electrolytic Cap. (chip)	22/50V	チ ッ プ ケ ミ コ ン	412427	
C435	AA X62930	Electrolytic Cap. (chip)	22/50V	チ ッ プ ケ ミ コ ン	412427	
* C436	W J590500	Electrolytic Cap. (chip)	47/35V	チ ッ プ ケ ミ コ ン	426065	
C437	AA X62970	Electrolytic Cap. (chip)	47/25V	チ ッ プ ケ ミ コ ン	412426	
C446	AA X62720	Ceramic Capacitor (chip)	47P 50V J	チ ッ プ セ ラ コ ン	065490	
C501	AA X62720	Ceramic Capacitor (chip)	47P 50V J	チ ッ プ セ ラ コ ン	065490	
C502	AA X63950	Mylar Capacitor	0.039 50V J	マ イ ラ コ ン	065104	
C503	AA X62720	Ceramic Capacitor (chip)	47P 50V J	チ ッ プ セ ラ コ ン	065490	
C504	AA X63010	Ceramic Capacitor (chip)	22P 50V J	チ ッ プ セ ラ コ ン	065483	
C505	AA X62990	Electrolytic Cap. (chip)	10/35V	チ ッ プ ケ ミ コ ン	412428	
C506	AA X69290	Ceramic Capacitor (chip)	2200P 50V K	チ ッ プ セ ラ コ ン	065506	
C507	AA X63360	Electrolytic Cap.	10/50V	ケ ミ コ ン	407785	
C508	AA X63960	Mylar Capacitor	820P 50V J	マ イ ラ コ ン	065144	
C509	AA X63000	Ceramic Capacitor (chip)	100P 50V J	チ ッ プ セ ラ コ ン	065473	
C510	AA X63360	Electrolytic Cap.	10/50V	ケ ミ コ ン	407785	
C511	AA X62720	Ceramic Capacitor (chip)	47P 50V J	チ ッ プ セ ラ コ ン	065490	
C512	AA X63360	Electrolytic Cap.	10/50V	ケ ミ コ ン	407785	
C513	AA X63950	Mylar Capacitor	0.039 50V J	マ イ ラ コ ン	065104	
C514	AA X62720	Ceramic Capacitor (chip)	47P 50V J	チ ッ プ セ ラ コ ン	065490	
C515	AA X63360	Electrolytic Cap.	10/50V	ケ ミ コ ン	407785	
C516	AA X63010	Ceramic Capacitor (chip)	22P 50V J	チ ッ プ セ ラ コ ン	065483	
C517	AA X63000	Ceramic Capacitor (chip)	100P 50V J	チ ッ プ セ ラ コ ン	065473	
C518	AA X69290	Ceramic Capacitor (chip)	2200P 50V K	チ ッ プ セ ラ コ ン	065506	
C519	AA X63960	Mylar Capacitor	820P 50V J	マ イ ラ コ ン	065144	
C520	AA X63000	Ceramic Capacitor (chip)	100P 50V J	チ ッ プ セ ラ コ ン	065473	
C521	AA X63000	Ceramic Capacitor (chip)	100P 50V J	チ ッ プ セ ラ コ ン	065473	
C522	AA X62990	Electrolytic Cap. (chip)	10/35V	チ ッ プ ケ ミ コ ン	412428	
C523	AA X62720	Ceramic Capacitor (chip)	47P 50V J	チ ッ プ セ ラ コ ン	065490	
C524	AA X62720	Ceramic Capacitor (chip)	47P 50V J	チ ッ プ セ ラ コ ン	065490	
C541	AA X63360	Electrolytic Cap.	10/50V	ケ ミ コ ン	407785	
C542	AA X63360	Electrolytic Cap.	10/50V	ケ ミ コ ン	407785	
C543	AA X63960	Mylar Capacitor	820P 50V J	マ イ ラ コ ン	065144	
* C544	W J587700	Mylar Capacitor	0.0012 50V J	マ イ ラ コ ン	065014	
C545	AA X63960	Mylar Capacitor	820P 50V J	マ イ ラ コ ン	065144	
C546	AA X62730	Ceramic Capacitor (chip)	0.01 50V K	チ ッ プ セ ラ コ ン	368353	
* C547	W J587800	Mylar Capacitor	0.0018 50V J	マ イ ラ コ ン	065043	
* C548	W J587900	Mylar Capacitor	0.0027 50V J	マ イ ラ コ ン	065070	
* C549	W J587800	Mylar Capacitor	0.0018 50V J	マ イ ラ コ ン	065043	
C550	AA X62730	Ceramic Capacitor (chip)	0.01 50V K	チ ッ プ セ ラ コ ン	368353	
C551	AA X63960	Mylar Capacitor	820P 50V J	マ イ ラ コ ン	065144	
* C552	W J587700	Mylar Capacitor	0.0012 50V J	マ イ ラ コ ン	065014	
C553	AA X63960	Mylar Capacitor	820P 50V J	マ イ ラ コ ン	065144	

*: New Parts

RANK: Japan only

CONTROL1 (1/3)/CONTROL2 (2/3)/CONTROL3 (3/3)

REF NO.	PART NO.	DESCRIPTION		部 品 名	REMARKS	QTY	RANK
C554	AA X62730	Ceramic Capacitor (chip)	0.01 50V K	チ ッ プ セ ラ コ ン		368353	
* C555	WJ 587800	Mylar Capacitor	0.0018 50V J	マ イ ラ コ ン		065043	
* C556	WJ 587900	Mylar Capacitor	0.0027 50V J	マ イ ラ コ ン		065070	
* C557	WJ 587800	Mylar Capacitor	0.0018 50V J	マ イ ラ コ ン		065043	
C558	AA X62730	Ceramic Capacitor (chip)	0.01 50V K	チ ッ プ セ ラ コ ン		368353	
C559	AA X62730	Ceramic Capacitor (chip)	0.01 50V K	チ ッ プ セ ラ コ ン		368353	
C561	AA X63500	Electrolytic Cap.	100/16V	ケ ミ コ ン		066700	01
C562	AA X62710	Ceramic Capacitor (chip)	1u 10V K	チ ッ プ セ ラ コ ン		374406	
C563	AA X63400	Electrolytic Cap.	47/25V	ケ ミ コ ン		066731	
C564	AA X63400	Electrolytic Cap.	47/25V	ケ ミ コ ン		066731	
C565	AA X63500	Electrolytic Cap.	100/16V	ケ ミ コ ン		066700	01
* C566	WJ 588500	Electrolytic Cap.	10/50V	ケ ミ コ ン		066773	
* -569	WJ 588500	Electrolytic Cap.	10/50V	ケ ミ コ ン		066773	
C570	AA X63000	Ceramic Capacitor (chip)	100P 50V J	チ ッ プ セ ラ コ ン		065473	
* -573	AA X63000	Ceramic Capacitor (chip)	100P 50V J	チ ッ プ セ ラ コ ン		065473	
C604	AA X62710	Ceramic Capacitor (chip)	1u 10V K	チ ッ プ セ ラ コ ン		374406	
C615	AA X63360	Electrolytic Cap.	10/50V	ケ ミ コ ン		407785	
C616	AA X63970	Electrolytic Cap.	4.7/50V	ケ ミ コ ン		407788	
C617	AA X63970	Electrolytic Cap.	4.7/50V	ケ ミ コ ン		407788	
C701	AA X62720	Ceramic Capacitor (chip)	47P 50V J	チ ッ プ セ ラ コ ン		065490	
C702	AA X63950	Mylar Capacitor	0.039 50V J	マ イ ラ コ ン		065104	
C703	AA X62720	Ceramic Capacitor (chip)	47P 50V J	チ ッ プ セ ラ コ ン		065490	
C704	AA X63010	Ceramic Capacitor (chip)	22P 50V J	チ ッ プ セ ラ コ ン		065483	
C705	AA X62990	Electrolytic Cap. (chip)	10/35V	チ ッ プ ケ ミ コ ン		412428	
C706	AA X69290	Ceramic Capacitor (chip)	2200P 50V K	チ ッ プ セ ラ コ ン		065506	
C707	AA X63360	Electrolytic Cap.	10/50V	ケ ミ コ ン		407785	
C708	AA X63960	Mylar Capacitor	820P 50V J	マ イ ラ コ ン		065144	
C709	AA X63000	Ceramic Capacitor (chip)	100P 50V J	チ ッ プ セ ラ コ ン		065473	
C710	AA X63360	Electrolytic Cap.	10/50V	ケ ミ コ ン		407785	
C711	AA X62720	Ceramic Capacitor (chip)	47P 50V J	チ ッ プ セ ラ コ ン		065490	
C712	AA X63360	Electrolytic Cap.	10/50V	ケ ミ コ ン		407785	
C713	AA X63950	Mylar Capacitor	0.039 50V J	マ イ ラ コ ン		065104	
C714	AA X62720	Ceramic Capacitor (chip)	47P 50V J	チ ッ プ セ ラ コ ン		065490	
C715	AA X63360	Electrolytic Cap.	10/50V	ケ ミ コ ン		407785	
C716	AA X63010	Ceramic Capacitor (chip)	22P 50V J	チ ッ プ セ ラ コ ン		065483	
C717	AA X63000	Ceramic Capacitor (chip)	100P 50V J	チ ッ プ セ ラ コ ン		065473	
C718	AA X63000	Ceramic Capacitor (chip)	100P 50V J	チ ッ プ セ ラ コ ン		065473	
C719	AA X63960	Mylar Capacitor	820P 50V J	マ イ ラ コ ン		065144	
C720	AA X63000	Ceramic Capacitor (chip)	100P 50V J	チ ッ プ セ ラ コ ン		065473	
C721	AA X62990	Electrolytic Cap. (chip)	10/35V	チ ッ プ ケ ミ コ ン		412428	
C722	AA X69290	Ceramic Capacitor (chip)	2200P 50V K	チ ッ プ セ ラ コ ン		065506	
C723	AA X62720	Ceramic Capacitor (chip)	47P 50V J	チ ッ プ セ ラ コ ン		065490	
C724	AA X62720	Ceramic Capacitor (chip)	47P 50V J	チ ッ プ セ ラ コ ン		065490	
C725	AA X63010	Ceramic Capacitor (chip)	22P 50V J	チ ッ プ セ ラ コ ン		065483	
C726	AA X63010	Ceramic Capacitor (chip)	22P 50V J	チ ッ プ セ ラ コ ン		065483	
C727	AA X62990	Electrolytic Cap. (chip)	10/35V	チ ッ プ ケ ミ コ ン		412428	
C728	AA X62990	Electrolytic Cap. (chip)	10/35V	チ ッ プ ケ ミ コ ン		412428	
C729	AA X62720	Ceramic Capacitor (chip)	47P 50V J	チ ッ プ セ ラ コ ン		065490	
C730	AA X62720	Ceramic Capacitor (chip)	47P 50V J	チ ッ プ セ ラ コ ン		065490	
C731	AA X69290	Ceramic Capacitor (chip)	2200P 50V K	チ ッ プ セ ラ コ ン		065506	
C732	AA X69290	Ceramic Capacitor (chip)	2200P 50V K	チ ッ プ セ ラ コ ン		065506	
C843	AA X62710	Ceramic Capacitor (chip)	1u 10V K	チ ッ プ セ ラ コ ン		374406	
C844	AA X62710	Ceramic Capacitor (chip)	1u 10V K	チ ッ プ セ ラ コ ン		374406	
C856	AA X63030	Ceramic Capacitor (chip)	4.7/25V	チ ッ プ セ ラ コ ン		402253	
C857	AA X62730	Ceramic Capacitor (chip)	0.01 50V K	チ ッ プ セ ラ コ ン		368353	
C859	AA X63030	Ceramic Capacitor (chip)	4.7/25V	チ ッ プ セ ラ コ ン		402253	
C860	AA X62730	Ceramic Capacitor (chip)	0.01 50V K	チ ッ プ セ ラ コ ン		368353	
C868	AA X62730	Ceramic Capacitor (chip)	0.01 50V K	チ ッ プ セ ラ コ ン		368353	
C869	AA X62730	Ceramic Capacitor (chip)	0.01 50V K	チ ッ プ セ ラ コ ン		368353	
C871	AA X62730	Ceramic Capacitor (chip)	0.01 50V K	チ ッ プ セ ラ コ ン		368353	
C872	AA X62730	Ceramic Capacitor (chip)	0.01 50V K	チ ッ プ セ ラ コ ン		368353	
C877	AA X62730	Ceramic Capacitor (chip)	0.01 50V K	チ ッ プ セ ラ コ ン		368353	
C878	AA X62730	Ceramic Capacitor (chip)	0.01 50V K	チ ッ プ セ ラ コ ン		368353	
C882	AA X62730	Ceramic Capacitor (chip)	0.01 50V K	チ ッ プ セ ラ コ ン		368353	
C884	AA X62730	Ceramic Capacitor (chip)	0.01 50V K	チ ッ プ セ ラ コ ン		368353	
-886	AA X62730	Ceramic Capacitor (chip)	0.01 50V K	チ ッ プ セ ラ コ ン		368353	
C888	AA X62730	Ceramic Capacitor (chip)	0.01 50V K	チ ッ プ セ ラ コ ン		368353	
C890	AA X62730	Ceramic Capacitor (chip)	0.01 50V K	チ ッ プ セ ラ コ ン		368353	
C892	AA X63030	Ceramic Capacitor (chip)	4.7/25V	チ ッ プ セ ラ コ ン		402253	
C895	AA X63030	Ceramic Capacitor (chip)	4.7/25V	チ ッ プ セ ラ コ ン		402253	

*: New Parts

RANK: Japan only

CONTROL1 (1/3)/CONTROL2 (2/3)/CONTROL3 (3/3)

REF NO.	PART NO.	DESCRIPTION	部 品 名	REMARKS	QTY	RANK
C900	AA X62730	Ceramic Capacitor (chip)	0.01 50V K	チ ッ プ セ ラ コ ン	368353	
C902	AA X62730	Ceramic Capacitor (chip)	0.01 50V K	チ ッ プ セ ラ コ ン	368353	
C906	AA X62730	Ceramic Capacitor (chip)	0.01 50V K	チ ッ プ セ ラ コ ン	368353	
C907	AA X63360	Electrolytic Cap.	10/50V	ケ ミ コ ン	407785	
C908	AA X62730	Ceramic Capacitor (chip)	0.01 50V K	チ ッ プ セ ラ コ ン	368353	
C909	AA X63360	Electrolytic Cap.	10/50V	ケ ミ コ ン	407785	
C915	AA X63030	Ceramic Capacitor (chip)	4.7/25V	チ ッ プ セ ラ コ ン	402253	
C916	AA X63030	Ceramic Capacitor (chip)	4.7/25V	チ ッ プ セ ラ コ ン	402253	
C917	AA X62990	Electrolytic Cap. (chip)	10/35V	チ ッ プ ケ ミ コ ン	412428	
C918	AA X62990	Electrolytic Cap. (chip)	10/35V	チ ッ プ ケ ミ コ ン	412428	
C921	AA X63030	Ceramic Capacitor (chip)	4.7/25V	チ ッ プ セ ラ コ ン	402253	
-924	AA X63030	Ceramic Capacitor (chip)	4.7/25V	チ ッ プ セ ラ コ ン	402253	
C931	AA X63030	Ceramic Capacitor (chip)	4.7/25V	チ ッ プ セ ラ コ ン	402253	
C932	AA X63030	Ceramic Capacitor (chip)	4.7/25V	チ ッ プ セ ラ コ ン	402253	
C935	AA X63030	Ceramic Capacitor (chip)	4.7/25V	チ ッ プ セ ラ コ ン	402253	
C936	AA X63030	Ceramic Capacitor (chip)	4.7/25V	チ ッ プ セ ラ コ ン	402253	
C943	AA X63360	Electrolytic Cap.	10/50V	ケ ミ コ ン	407785	
C944	AA X63360	Electrolytic Cap.	10/50V	ケ ミ コ ン	407785	
C945	AA X63950	Mylar Capacitor	0.039 50V J	マ イ ラ コ ン	065104	
C946	AA X63950	Mylar Capacitor	0.039 50V J	マ イ ラ コ ン	065104	
C947	AA X63960	Mylar Capacitor	820P 50V J	マ イ ラ コ ン	065144	
C948	AA X63960	Mylar Capacitor	820P 50V J	マ イ ラ コ ン	065144	
C949	AA X62720	Ceramic Capacitor (chip)	47P 50V J	チ ッ プ セ ラ コ ン	065490	
C950	AA X62720	Ceramic Capacitor (chip)	47P 50V J	チ ッ プ セ ラ コ ン	065490	
C951	AA X63000	Ceramic Capacitor (chip)	100P 50V J	チ ッ プ セ ラ コ ン	065473	
-954	AA X63000	Ceramic Capacitor (chip)	100P 50V J	チ ッ プ セ ラ コ ン	065473	
C955	AA X62720	Ceramic Capacitor (chip)	47P 50V J	チ ッ プ セ ラ コ ン	065490	
C956	AA X62720	Ceramic Capacitor (chip)	47P 50V J	チ ッ プ セ ラ コ ン	065490	
C957	AA X62730	Ceramic Capacitor (chip)	0.01 50V K	チ ッ プ セ ラ コ ン	368353	
C958	AA X63030	Ceramic Capacitor (chip)	4.7/25V	チ ッ プ セ ラ コ ン	402253	
C959	AA X62730	Ceramic Capacitor (chip)	0.01 50V K	チ ッ プ セ ラ コ ン	368353	
C960	AA X63030	Ceramic Capacitor (chip)	4.7/25V	チ ッ プ セ ラ コ ン	402253	
C963	AA X63360	Electrolytic Cap.	10/50V	ケ ミ コ ン	407785	
-965	AA X63360	Electrolytic Cap.	10/50V	ケ ミ コ ン	407785	
C966	AA X63000	Ceramic Capacitor (chip)	100P 50V J	チ ッ プ セ ラ コ ン	065473	
C967	AA X63000	Ceramic Capacitor (chip)	100P 50V J	チ ッ プ セ ラ コ ン	065473	
* CN1	W J592800	Connector Base Post	8P B8B-EH	コ ネ ク タ 8 P	081541	
CN21	AA X63980	Connector Base Post	10P SHD106-1002A06	コ ネ ク タ 1 0 P	411471	
CN22	AA X63040	Connector Base Post	10PPHA102-1002A156	コ ネ ク タ 1 0 P	411472	
* CN24	W J593000	Connector Base Post	8P B08B-PH-K-S	コ ネ ク タ 8 P	081725	
CN25	AA X63040	Connector Base Post	10PPHA102-1002A156	コ ネ ク タ 1 0 P	411472	
CN26	AA X63980	Connector Base Post	10P SHD106-1002A06	コ ネ ク タ 1 0 P	411471	
* CN27	W J593300	Connector Base Post	9P 53290-0980 LF	コ ネ ク タ 9 P	434043	
* CN33	W J593200	Connector Base Post	8P 53290-0880 LF	コ ネ ク タ 8 P	433464	
* CN541	W J592900	Connector Base Post	5P B 5P-VH	コ ネ ク タ 5 P	081672	
* CN542	W J593000	Connector Base Post	8P B08B-PH-K-S	コ ネ ク タ 8 P	081725	
* CN543	W J593700	Connector Base Post	10P 53290-1080 LF	コ ネ ク タ 1 0 P	444917	
* CN544	W J593800	Connector Base Post	11P 53290-1180 LF	コ ネ ク タ 1 1 P	444918	
* CN545	W J593700	Connector Base Post	10P 53290-1080 LF	コ ネ ク タ 1 0 P	444917	
* CN546	W J593800	Connector Base Post	11P 53290-1180 LF	コ ネ ク タ 1 1 P	444918	
* D101	AA X64000	LED Green	SEL6410E D LF	L E D 緑	REVERB (CH 1)	412429
D102	W J598200	LED Orange	SEL6910A D LF	L E D 橙	SPEECH/MUSIC	446160
D103	XX 698570	Diode (chip)	1SS355 TE-17	ダ イ オ - ド		069444
-105	XX 698570	Diode (chip)	1SS355 TE-17	ダ イ オ - ド		069444
D107	XX 698570	Diode (chip)	1SS355 TE-17	ダ イ オ - ド		069444
* D108	W J598200	LED Orange	SEL6910A D LF	L E D 橙	LIMIT/COMP (CH 1)	446160
D201	AA X64000	LED Green	SEL6410E D LF	L E D 緑	REVERB (CH 2)	412429
D203	XX 698570	Diode (chip)	1SS355 TE-17	ダ イ オ - ド		069444
-205	XX 698570	Diode (chip)	1SS355 TE-17	ダ イ オ - ド		069444
D207	XX 698570	Diode (chip)	1SS355 TE-17	ダ イ オ - ド		069444
* D208	W J598200	LED Orange	SEL6910A D LF	L E D 橙	LIMIT/COMP (CH 2)	446160
D301	AA X64000	LED Green	SEL6410E D LF	L E D 緑	REVERB (CH 3)	412429
D402	AA X64000	LED Green	SEL6410E D LF	L E D 緑	REVERB (CH 4)	412429
D541	AA X42550	Diode	1SS133 T-77	ダ イ オ - ド		069460
D542	AA X42550	Diode	1SS133 T-77	ダ イ オ - ド		069460
D543	AA X63600	Zener Diode	MTZJ10B T-77	ツ エ ナ - ダ イ オ - ド		069158
D544	AA X63600	Zener Diode	MTZJ10B T-77	ツ エ ナ - ダ イ オ - ド		069158
D601	AA X64010	LED Red	SEL6210R D LF	L E D 赤	LIMITER	411467
D602	AA X64020	LED Yellow	SEL6710Y D LF	L E D 黄	+6	411468
D603	AA X64020	LED Yellow	SEL6710Y D LF	L E D 黄	+3	411468

*: New Parts

RANK: Japan only

CONTROL1 (1/3)/CONTROL2 (2/3)/CONTROL3 (3/3)

REF NO.	PART NO.	DESCRIPTION		部 品 名	REMARKS	QTY	RANK
D604	AAAX64020	LED Yellow	SEL6710Y D LF	L E D 黄	0	411468	
D605	AAAX64030	LED Green	SEL6410G D LF	L E D 緑	-6	411466	
D606	AAAX64030	LED Green	SEL6410G D LF	L E D 緑	-20	411466	
D607	AAAX64030	LED Green	SEL6410G D LF	L E D 緑	POWER	411466	
D902	XX698570	Diode (chip)	1SS355 TE-17	ダイオード		069444	01
D998	AAAX64090	Carbon Resistor (chip)	0.00 J	チップ抵抗		067491	
D999	AAAX64090	Carbon Resistor (chip)	0.00 J	チップ抵抗		067491	
EP510	XX698880	Lug Terminal	MET37-0001	ラゲ端子		075878	02
IC101	AAAX62750	IC (chip)	NJM2068M-D TE1	I C	OP AMP	070170	04
IC102	AAAX62750	IC (chip)	NJM2068M-D TE1	I C	OP AMP	070170	04
IC104	AAAX62750	IC (chip)	NJM2068M-D TE1	I C	OP AMP	070170	04
-106	AAAX62750	IC (chip)	NJM2068M-D TE1	I C	OP AMP	070170	04
IC108	AAAX62750	IC (chip)	NJM2068M-D TE1	I C	OP AMP	070170	04
IC201	AAAX62750	IC (chip)	NJM2068M-D TE1	I C	OP AMP	070170	04
IC202	AAAX62750	IC (chip)	NJM2068M-D TE1	I C	OP AMP	070170	04
IC203	AAAX62750	IC (chip)	NJM2068M-D TE1	I C	OP AMP	070170	04
IC205	AAAX62750	IC (chip)	NJM2068M-D TE1	I C	OP AMP	070170	04
IC206	AAAX62750	IC (chip)	NJM2068M-D TE1	I C	OP AMP	070170	04
IC302	AAAX62750	IC (chip)	NJM2068M-D TE1	I C	OP AMP	070170	04
IC402	AAAX62750	IC (chip)	NJM2068M-D TE1	I C	OP AMP	070170	04
IC501	AAAX62750	IC (chip)	NJM2068M-D TE1	I C	OP AMP	070170	04
-503	AAAX62750	IC (chip)	NJM2068M-D TE1	I C	OP AMP	070170	04
IC541	AAAX62750	IC (chip)	NJM2068M-D TE1	I C	OP AMP	070170	04
IC542	AAAX62750	IC (chip)	NJM2068M-D TE1	I C	OP AMP	070170	04
IC604	AAAX68710	IC	LB1407-E LF	I C	Level Meter	407812	07
IC701	AAAX62750	IC (chip)	NJM2068M-D TE1	I C	OP AMP	070170	04
-704	AAAX62750	IC (chip)	NJM2068M-D TE1	I C	OP AMP	070170	04
IC901	AAAX62750	IC (chip)	NJM2068M-D TE1	I C	OP AMP	070170	04
IC902	AAAX62750	IC (chip)	NJM2068M-D TE1	I C	OP AMP	070170	04
JK101	AAAX63050	Phone Jack Black	MSJ-064-20A LF	ホンジャック	CH 1	407764	04
JK102	AAAX63060	Cannon Connector	XLR-301J-A LF	キャノンジャック	CH 1	407767	06
JK103	AAAX63070	RCA Jack Nickel	2P MSP-532HV1-21LF	RCAジャック 2P	REC OUT L/R	407765	03
JK104	AAAX63050	Phone Jack Black	MSJ-064-20A LF	ホンジャック	MONITOR OUT L(MONO)	407764	04
JK201	AAAX63050	Phone Jack Black	MSJ-064-20A LF	ホンジャック	CH 2	407764	04
JK202	AAAX63060	Cannon Connector	XLR-301J-A LF	キャノンジャック	CH 2	407767	06
JK204	AAAX63050	Phone Jack Black	MSJ-064-20A LF	ホンジャック	MONITOR OUT R	407764	04
JK301	AAAX63050	Phone Jack Black	MSJ-064-20A LF	ホンジャック	CH 3	407764	04
JK302	AAAX63060	Cannon Connector	XLR-301J-A LF	キャノンジャック	CH 3	407767	06
JK401	AAAX63050	Phone Jack Black	MSJ-064-20A LF	ホンジャック	CH 4	407764	04
JK402	AAAX63060	Cannon Connector	XLR-301J-A LF	キャノンジャック	CH 4	407767	06
JK501	AAAX63050	Phone Jack Black	MSJ-064-20A LF	ホンジャック	CH 5/6 L(MONO)	407764	04
JK502	AAAX63050	Phone Jack Black	MSJ-064-20A LF	ホンジャック	CH 5/6 R	407764	04
JK503	AAAX63080	RCA Jack Nickel	4P MSP-247H1-01 LF	RCAジャック 4P	CH 7/8,9/10 L/R	407766	04
JK504	AAAX63050	Phone Jack Black	MSJ-064-20A LF	ホンジャック	CH 7/8 L	407764	04
JK505	AAAX63050	Phone Jack Black	MSJ-064-20A LF	ホンジャック	CH 7/8 R	407764	04
JK541	AAAX63220	Phone Jack	4P CK-6.35-29A	ホンジャック	SPEAKERS R	406710	03
JK542	AAAX63220	Phone Jack	4P CK-6.35-29A	ホンジャック	SPEAKERS L	406710	03
* L101	WJ594200	Coil	MMZ1608A152ET T LF	コイル		436042	
* L102	WJ594200	Coil	MMZ1608A152ET T LF	コイル		436042	
* L111	WJ594200	Coil	MMZ1608A152ET T LF	コイル		436042	
* -113	WJ594200	Coil	MMZ1608A152ET T LF	コイル		436042	
* L201	WJ594200	Coil	MMZ1608A152ET T LF	コイル		436042	
* L202	WJ594200	Coil	MMZ1608A152ET T LF	コイル		436042	
* L211	WJ594200	Coil	MMZ1608A152ET T LF	コイル		436042	
* -213	WJ594200	Coil	MMZ1608A152ET T LF	コイル		436042	
* L301	WJ594200	Coil	MMZ1608A152ET T LF	コイル		436042	
* L302	WJ594200	Coil	MMZ1608A152ET T LF	コイル		436042	
* L401	WJ594200	Coil	MMZ1608A152ET T LF	コイル		436042	
* L402	WJ594200	Coil	MMZ1608A152ET T LF	コイル		436042	
* L501	WJ594200	Coil	MMZ1608A152ET T LF	コイル		436042	
* L502	WJ594200	Coil	MMZ1608A152ET T LF	コイル		436042	
L541	AAAX63230	Coil	ACM1211-102-2PL LF	コイル		413260	
L542	AAAX63230	Coil	ACM1211-102-2PL LF	コイル		413260	
* L701	WJ594200	Coil	MMZ1608A152ET T LF	コイル		436042	
* -704	WJ594200	Coil	MMZ1608A152ET T LF	コイル		436042	
L807	--	Ferrite Core	ZBF503M-00(TA)-TLF	フェライトコア		413258	
Q107	AAAX64040	FET	2SK246 BL (-F)	F E T		407813	03
Q207	AAAX64040	FET	2SK246 BL (-F)	F E T		407813	03
Q541	AAAX45980	Transistor (chip)	2SC2412K QRS T146	トランジスタ		068775	01
-543	AAAX45980	Transistor (chip)	2SC2412K QRS T146	トランジスタ		068775	01

*: New Parts

RANK: Japan only

CONTROL1 (1/3)/CONTROL2 (2/3)/CONTROL3 (3/3)

REF NO.	PART NO.	DESCRIPTION	部 品 名	REMARKS	QTY	RANK
Q544	AA X63710	Transistor (chip)	2SA1037AK QRS T146	ト ラ ン ジ ス タ	068590	01
Q545	AA X45980	Transistor (chip)	2SC2412K QRS T146	ト ラ ン ジ ス タ	068775	01
Q546	AA X63710	Transistor (chip)	2SA1037AK QRS T146	ト ラ ン ジ ス タ	068590	01
Q547	AA X63710	Transistor (chip)	2SA1037AK QRS T146	ト ラ ン ジ ス タ	068590	01
Q548	AA X45980	Transistor (chip)	2SC2412K QRS T146	ト ラ ン ジ ス タ	068775	01
* Q549	W J614000	Digital Transistor	DTC114EKA T146	デ ジ タ ル ト ラ ン ジ ス タ	069349	
Q550	AA X45980	Transistor (chip)	2SC2412K QRS T146	ト ラ ン ジ ス タ	068775	01
Q551	AA X63710	Transistor (chip)	2SA1037AK QRS T146	ト ラ ン ジ ス タ	068590	01
Q552	AA X45980	Transistor (chip)	2SC2412K QRS T146	ト ラ ン ジ ス タ	068775	01
Q553	AA X45980	Transistor (chip)	2SC2412K QRS T146	ト ラ ン ジ ス タ	068775	01
* Q554	W J613900	Digital Transistor	DTC144EKA T146	デ ジ タ ル ト ラ ン ジ ス タ	069311	
Q555	AA X45980	Transistor (chip)	2SC2412K QRS T146	ト ラ ン ジ ス タ	068775	01
* Q556	W J612600	Transistor	KTC2026 YGR	ト ラ ン ジ ス タ	362783	
* Q557	W J612600	Transistor	KTC2026 YGR	ト ラ ン ジ ス タ	362783	
* Q558	W J614000	Digital Transistor	DTC114EKA T146	デ ジ タ ル ト ラ ン ジ ス タ	069349	
* Q559	W J614000	Digital Transistor	DTC114EKA T146	デ ジ タ ル ト ラ ン ジ ス タ	069349	
Q601	AA X45980	Transistor (chip)	2SC2412K QRS T146	ト ラ ン ジ ス タ	068775	01
R101	AA X62850	Carbon Resistor (chip)	2.2K J	チ ッ プ 抵 抗	067519	
R102	AA X64100	Carbon Resistor (chip)	1.2K J	チ ッ プ 抵 抗	067503	
R103	AA X62840	Carbon Resistor (chip)	68K J	チ ッ プ 抵 抗	067559	
* R104	W J598300	Carbon Resistor	100 1/4W J	カ ー ボ ン 抵 抗	045603	
R105	AA X62850	Carbon Resistor (chip)	2.2K J	チ ッ プ 抵 抗	067519	
* R106	W J607300	Carbon Resistor (chip)	2.4K J	チ ッ プ 抵 抗	361560	
* R107	W J607300	Carbon Resistor (chip)	2.4K J	チ ッ プ 抵 抗	361560	
R108	AA X63140	Carbon Resistor (chip)	220K J	チ ッ プ 抵 抗	067521	
* R109	W J607700	Carbon Resistor (chip)	2.4K J	チ ッ プ 抵 抗	447326	
R110	AA X63150	Carbon Resistor (chip)	10 J	チ ッ プ 抵 抗	067492	01
* R111	W J607700	Carbon Resistor (chip)	2.4K J	チ ッ プ 抵 抗	447326	
R112	AA X63140	Carbon Resistor (chip)	220K J	チ ッ プ 抵 抗	067521	
R113	AA X62920	Carbon Resistor (chip)	100K J	チ ッ プ 抵 抗	067499	
R114	AA X62890	Carbon Resistor (chip)	39K J	チ ッ プ 抵 抗	067540	
R115	AA X63150	Carbon Resistor (chip)	10 J	チ ッ プ 抵 抗	067492	01
* R116	W J606800	Carbon Resistor (chip)	82K J	チ ッ プ 抵 抗	067564	
R117	AA X62840	Carbon Resistor (chip)	68K J	チ ッ プ 抵 抗	067559	
R118	AA X64100	Carbon Resistor (chip)	1.2K J	チ ッ プ 抵 抗	067503	
R119	AA X62840	Carbon Resistor (chip)	68K J	チ ッ プ 抵 抗	067559	
R120	AA X62840	Carbon Resistor (chip)	68K J	チ ッ プ 抵 抗	067559	
R121	AA X62920	Carbon Resistor (chip)	100K J	チ ッ プ 抵 抗	067499	
* R122	W J607100	Carbon Resistor (chip)	75K J	チ ッ プ 抵 抗	330375	
R123	AA X62810	Carbon Resistor (chip)	1K J	チ ッ プ 抵 抗	067495	
R124	AA X62880	Carbon Resistor (chip)	10K J	チ ッ プ 抵 抗	067497	
R125	AA X62880	Carbon Resistor (chip)	10K J	チ ッ プ 抵 抗	067497	
R126	AA X62780	Carbon Resistor (chip)	33K J	チ ッ プ 抵 抗	067532	
R127	AA X62880	Carbon Resistor (chip)	10K J	チ ッ プ 抵 抗	067497	
R128	AA X62810	Carbon Resistor (chip)	1K J	チ ッ プ 抵 抗	067495	
R129	AA X62880	Carbon Resistor (chip)	10K J	チ ッ プ 抵 抗	067497	
R130	AA X63880	Carbon Resistor (chip)	4.7K J	チ ッ プ 抵 抗	067545	
R131	AA X62870	Carbon Resistor (chip)	5.6K J	チ ッ プ 抵 抗	067553	
R132	AA X62880	Carbon Resistor (chip)	10K J	チ ッ プ 抵 抗	067497	
R133	AA X63130	Carbon Resistor (chip)	3.9K J	チ ッ プ 抵 抗	067539	
R134	AA X62800	Carbon Resistor (chip)	47K J	チ ッ プ 抵 抗	067546	
R135	AA X64050	Carbon Resistor (chip)	330 J	チ ッ プ 抵 抗	067530	
R137	AA X62880	Carbon Resistor (chip)	10K J	チ ッ プ 抵 抗	067497	
R138	AA X62810	Carbon Resistor (chip)	1K J	チ ッ プ 抵 抗	067495	
R139	AA X62880	Carbon Resistor (chip)	10K J	チ ッ プ 抵 抗	067497	
R142	AA X64050	Carbon Resistor (chip)	330 J	チ ッ プ 抵 抗	067530	
R143	AA X63880	Carbon Resistor (chip)	4.7K J	チ ッ プ 抵 抗	067545	
R156	AA X62880	Carbon Resistor (chip)	10K J	チ ッ プ 抵 抗	067497	
R157	AA X64060	Carbon Resistor (chip)	27K J	チ ッ プ 抵 抗	067527	
R163	AA X62910	Carbon Resistor (chip)	15K J	チ ッ プ 抵 抗	067509	
R164	AA X63170	Carbon Resistor (chip)	560 J	チ ッ プ 抵 抗	067551	
R166	AA X63170	Carbon Resistor (chip)	560 J	チ ッ プ 抵 抗	067551	
R167	AA X64070	Carbon Resistor (chip)	12K J	チ ッ プ 抵 抗	067504	
R168	AA X62800	Carbon Resistor (chip)	47K J	チ ッ プ 抵 抗	067546	
R169	AA X62910	Carbon Resistor (chip)	15K J	チ ッ プ 抵 抗	067509	
R170	AA X63170	Carbon Resistor (chip)	560 J	チ ッ プ 抵 抗	067551	
R171	AA X62920	Carbon Resistor (chip)	100K J	チ ッ プ 抵 抗	067499	
R172	AA X62810	Carbon Resistor (chip)	1K J	チ ッ プ 抵 抗	067495	
R173	AA X62810	Carbon Resistor (chip)	1K J	チ ッ プ 抵 抗	067495	
R174	AA X64100	Carbon Resistor (chip)	1.2K J	チ ッ プ 抵 抗	067503	

*: New Parts

RANK: Japan only

CONTROL1 (1/3)/CONTROL2 (2/3)/CONTROL3 (3/3)

REF NO.	PART NO.	DESCRIPTION		部	品	名	REMARKS	QTY	RANK
R175	AAX64100	Carbon Resistor (chip)	1.2K J	チ	ッ	ブ	抵抗	067503	
R176	AAX63160	Carbon Resistor (chip)	120K J	チ	ッ	ブ	抵抗	067505	
R177	AAX62880	Carbon Resistor (chip)	10K J	チ	ッ	ブ	抵抗	067497	
* R178	WJ599500	Carbon Resistor (chip)	100 J	チ	ッ	ブ	抵抗	067493	
R179	AAX62910	Carbon Resistor (chip)	15K J	チ	ッ	ブ	抵抗	067509	
R183	AAX62880	Carbon Resistor (chip)	10K J	チ	ッ	ブ	抵抗	067497	
R184	AAX63800	Carbon Resistor (chip)	8.2K J	チ	ッ	ブ	抵抗	067562	
R185	AAX63790	Carbon Resistor (chip)	22K J	チ	ッ	ブ	抵抗	067520	
R186	AAX62910	Carbon Resistor (chip)	15K J	チ	ッ	ブ	抵抗	067509	
R188	AAX62910	Carbon Resistor (chip)	15K J	チ	ッ	ブ	抵抗	067509	
R189	AAX62910	Carbon Resistor (chip)	15K J	チ	ッ	ブ	抵抗	067509	
R190	AAX63880	Carbon Resistor (chip)	4.7K J	チ	ッ	ブ	抵抗	067545	
R191	AAX62920	Carbon Resistor (chip)	100K J	チ	ッ	ブ	抵抗	067499	
R192	AAX62910	Carbon Resistor (chip)	15K J	チ	ッ	ブ	抵抗	067509	
* R193	WJ606500	Carbon Resistor (chip)	2.7K J	チ	ッ	ブ	抵抗	067526	
R194	AAX62890	Carbon Resistor (chip)	39K J	チ	ッ	ブ	抵抗	067540	
R201	AAX62850	Carbon Resistor (chip)	2.2K J	チ	ッ	ブ	抵抗	067519	
R202	AAX64100	Carbon Resistor (chip)	1.2K J	チ	ッ	ブ	抵抗	067503	
R203	AAX62840	Carbon Resistor (chip)	68K J	チ	ッ	ブ	抵抗	067559	
* R204	WJ598300	Carbon Resistor	100 1/4W J	カ	ー	ボ	ン	抵抗	045603
R205	AAX62850	Carbon Resistor (chip)	2.2K J	チ	ッ	ブ	抵抗	067519	
* R206	WJ607300	Carbon Resistor (chip)	2.4K J	チ	ッ	ブ	抵抗	361560	
* R207	WJ607300	Carbon Resistor (chip)	2.4K J	チ	ッ	ブ	抵抗	361560	
R208	AAX63140	Carbon Resistor (chip)	220K J	チ	ッ	ブ	抵抗	067521	
* R209	WJ607700	Carbon Resistor (chip)	2.4K J	チ	ッ	ブ	抵抗	447326	
R210	AAX63150	Carbon Resistor (chip)	10 J	チ	ッ	ブ	抵抗	067492	01
* R211	WJ607700	Carbon Resistor (chip)	2.4K J	チ	ッ	ブ	抵抗	447326	
R212	AAX63140	Carbon Resistor (chip)	220K J	チ	ッ	ブ	抵抗	067521	
R213	AAX62920	Carbon Resistor (chip)	100K J	チ	ッ	ブ	抵抗	067499	
R214	AAX62890	Carbon Resistor (chip)	39K J	チ	ッ	ブ	抵抗	067540	
* R215	AAX63150	Carbon Resistor (chip)	10 J	チ	ッ	ブ	抵抗	067492	01
R216	WJ606800	Carbon Resistor (chip)	82K J	チ	ッ	ブ	抵抗	067564	
R217	AAX62840	Carbon Resistor (chip)	68K J	チ	ッ	ブ	抵抗	067559	
R218	AAX64100	Carbon Resistor (chip)	1.2K J	チ	ッ	ブ	抵抗	067503	
R219	AAX62840	Carbon Resistor (chip)	68K J	チ	ッ	ブ	抵抗	067559	
R220	AAX62840	Carbon Resistor (chip)	68K J	チ	ッ	ブ	抵抗	067559	
* R221	AAX62920	Carbon Resistor (chip)	100K J	チ	ッ	ブ	抵抗	067499	
R222	WJ607100	Carbon Resistor (chip)	75K J	チ	ッ	ブ	抵抗	330375	
R223	AAX62810	Carbon Resistor (chip)	1K J	チ	ッ	ブ	抵抗	067495	
R224	AAX62880	Carbon Resistor (chip)	10K J	チ	ッ	ブ	抵抗	067497	
R225	AAX62880	Carbon Resistor (chip)	10K J	チ	ッ	ブ	抵抗	067497	
R226	AAX62780	Carbon Resistor (chip)	33K J	チ	ッ	ブ	抵抗	067532	
R227	AAX62880	Carbon Resistor (chip)	10K J	チ	ッ	ブ	抵抗	067497	
R228	AAX62810	Carbon Resistor (chip)	1K J	チ	ッ	ブ	抵抗	067495	
R229	AAX62880	Carbon Resistor (chip)	10K J	チ	ッ	ブ	抵抗	067497	
R230	AAX63880	Carbon Resistor (chip)	4.7K J	チ	ッ	ブ	抵抗	067545	
R231	AAX62870	Carbon Resistor (chip)	5.6K J	チ	ッ	ブ	抵抗	067553	
R232	AAX62880	Carbon Resistor (chip)	10K J	チ	ッ	ブ	抵抗	067497	
R233	AAX63130	Carbon Resistor (chip)	3.9K J	チ	ッ	ブ	抵抗	067539	
R234	AAX62800	Carbon Resistor (chip)	47K J	チ	ッ	ブ	抵抗	067546	
R235	AAX64050	Carbon Resistor (chip)	330 J	チ	ッ	ブ	抵抗	067530	
R237	AAX62880	Carbon Resistor (chip)	10K J	チ	ッ	ブ	抵抗	067497	
R239	AAX62880	Carbon Resistor (chip)	10K J	チ	ッ	ブ	抵抗	067497	
R243	AAX63880	Carbon Resistor (chip)	4.7K J	チ	ッ	ブ	抵抗	067545	
R256	AAX62880	Carbon Resistor (chip)	10K J	チ	ッ	ブ	抵抗	067497	
R257	AAX64060	Carbon Resistor (chip)	27K J	チ	ッ	ブ	抵抗	067527	
R263	AAX62910	Carbon Resistor (chip)	15K J	チ	ッ	ブ	抵抗	067509	
R264	AAX63170	Carbon Resistor (chip)	560 J	チ	ッ	ブ	抵抗	067551	
R266	AAX63170	Carbon Resistor (chip)	560 J	チ	ッ	ブ	抵抗	067551	
R267	AAX64070	Carbon Resistor (chip)	12K J	チ	ッ	ブ	抵抗	067504	
R268	AAX62800	Carbon Resistor (chip)	47K J	チ	ッ	ブ	抵抗	067546	
R269	AAX62910	Carbon Resistor (chip)	15K J	チ	ッ	ブ	抵抗	067509	
R270	AAX63170	Carbon Resistor (chip)	560 J	チ	ッ	ブ	抵抗	067551	
R271	AAX62920	Carbon Resistor (chip)	100K J	チ	ッ	ブ	抵抗	067499	
R272	AAX62810	Carbon Resistor (chip)	1K J	チ	ッ	ブ	抵抗	067495	
R274	AAX64100	Carbon Resistor (chip)	1.2K J	チ	ッ	ブ	抵抗	067503	
R275	AAX64100	Carbon Resistor (chip)	1.2K J	チ	ッ	ブ	抵抗	067503	
R276	AAX63160	Carbon Resistor (chip)	120K J	チ	ッ	ブ	抵抗	067505	
R277	AAX62880	Carbon Resistor (chip)	10K J	チ	ッ	ブ	抵抗	067497	
* R278	WJ599500	Carbon Resistor (chip)	100 J	チ	ッ	ブ	抵抗	067493	

*: New Parts

RANK: Japan only

CONTROL1 (1/3)/CONTROL2 (2/3)/CONTROL3 (3/3)

REF NO.	PART NO.	DESCRIPTION	部 品 名	REMARKS	QTY	RANK
R279	AA X62910	Carbon Resistor (chip)	15K J	チ ッ プ 抵 抗	067509	
R283	AA X62880	Carbon Resistor (chip)	10K J	チ ッ プ 抵 抗	067497	
R284	AA X63800	Carbon Resistor (chip)	8.2K J	チ ッ プ 抵 抗	067562	
R285	AA X63790	Carbon Resistor (chip)	22K J	チ ッ プ 抵 抗	067520	
R286	AA X62910	Carbon Resistor (chip)	15K J	チ ッ プ 抵 抗	067509	
R288	AA X62910	Carbon Resistor (chip)	15K J	チ ッ プ 抵 抗	067509	
R289	AA X63110	Carbon Resistor (chip)	3.3K J	チ ッ プ 抵 抗	067531	
R290	AA X63880	Carbon Resistor (chip)	4.7K J	チ ッ プ 抵 抗	067545	
R291	AA X62920	Carbon Resistor (chip)	100K J	チ ッ プ 抵 抗	067499	
R292	AA X62910	Carbon Resistor (chip)	15K J	チ ッ プ 抵 抗	067509	
* R293	W J606500	Carbon Resistor (chip)	2.7K J	チ ッ プ 抵 抗	067526	
R294	AA X62890	Carbon Resistor (chip)	39K J	チ ッ プ 抵 抗	067540	
R301	AA X62850	Carbon Resistor (chip)	2.2K J	チ ッ プ 抵 抗	067519	
R302	AA X63130	Carbon Resistor (chip)	3.9K J	チ ッ プ 抵 抗	067539	
R303	AA X63140	Carbon Resistor (chip)	220K J	チ ッ プ 抵 抗	067521	
* R304	W J598300	Carbon Resistor	100 1/4W J	カ ー ボ ン 抵 抗	045603	
R305	AA X62850	Carbon Resistor (chip)	2.2K J	チ ッ プ 抵 抗	067519	
* R306	W J607300	Carbon Resistor (chip)	2.4K J	チ ッ プ 抵 抗	361560	
* R307	W J607300	Carbon Resistor (chip)	2.4K J	チ ッ プ 抵 抗	361560	
R308	AA X63140	Carbon Resistor (chip)	220K J	チ ッ プ 抵 抗	067521	
* R309	W J607700	Carbon Resistor (chip)	2.4K J	チ ッ プ 抵 抗	447326	
R310	AA X63150	Carbon Resistor (chip)	10 J	チ ッ プ 抵 抗	067492	01
* R311	W J607700	Carbon Resistor (chip)	2.4K J	チ ッ プ 抵 抗	447326	
R312	AA X63140	Carbon Resistor (chip)	220K J	チ ッ プ 抵 抗	067521	
R313	AA X62920	Carbon Resistor (chip)	100K J	チ ッ プ 抵 抗	067499	
R315	AA X63150	Carbon Resistor (chip)	10 J	チ ッ プ 抵 抗	067492	01
R317	AA X63140	Carbon Resistor (chip)	220K J	チ ッ プ 抵 抗	067521	
R318	AA X63130	Carbon Resistor (chip)	3.9K J	チ ッ プ 抵 抗	067539	
R319	AA X63140	Carbon Resistor (chip)	220K J	チ ッ プ 抵 抗	067521	
R320	AA X63140	Carbon Resistor (chip)	220K J	チ ッ プ 抵 抗	067521	
R324	AA X62880	Carbon Resistor (chip)	10K J	チ ッ プ 抵 抗	067497	
R325	AA X62880	Carbon Resistor (chip)	10K J	チ ッ プ 抵 抗	067497	
R326	AA X62780	Carbon Resistor (chip)	33K J	チ ッ プ 抵 抗	067532	
R327	AA X62880	Carbon Resistor (chip)	10K J	チ ッ プ 抵 抗	067497	
R328	AA X62810	Carbon Resistor (chip)	1K J	チ ッ プ 抵 抗	067495	
R329	AA X62880	Carbon Resistor (chip)	10K J	チ ッ プ 抵 抗	067497	
R330	AA X63880	Carbon Resistor (chip)	4.7K J	チ ッ プ 抵 抗	067545	
R331	AA X62870	Carbon Resistor (chip)	5.6K J	チ ッ プ 抵 抗	067553	
R332	AA X62880	Carbon Resistor (chip)	10K J	チ ッ プ 抵 抗	067497	
R333	AA X63130	Carbon Resistor (chip)	3.9K J	チ ッ プ 抵 抗	067539	
R334	AA X62800	Carbon Resistor (chip)	47K J	チ ッ プ 抵 抗	067546	
R335	AA X64050	Carbon Resistor (chip)	330 J	チ ッ プ 抵 抗	067530	
R372	AA X62810	Carbon Resistor (chip)	1K J	チ ッ プ 抵 抗	067495	
R401	AA X62850	Carbon Resistor (chip)	2.2K J	チ ッ プ 抵 抗	067519	
R402	AA X63130	Carbon Resistor (chip)	3.9K J	チ ッ プ 抵 抗	067539	
R403	AA X63140	Carbon Resistor (chip)	220K J	チ ッ プ 抵 抗	067521	
* R404	W J598300	Carbon Resistor	100 1/4W J	カ ー ボ ン 抵 抗	045603	
R405	AA X62850	Carbon Resistor (chip)	2.2K J	チ ッ プ 抵 抗	067519	
* R406	W J607300	Carbon Resistor (chip)	2.4K J	チ ッ プ 抵 抗	361560	
* R407	W J607300	Carbon Resistor (chip)	2.4K J	チ ッ プ 抵 抗	361560	
R408	AA X63140	Carbon Resistor (chip)	220K J	チ ッ プ 抵 抗	067521	
* R409	W J607700	Carbon Resistor (chip)	2.4K J	チ ッ プ 抵 抗	447326	
R410	AA X63150	Carbon Resistor (chip)	10 J	チ ッ プ 抵 抗	067492	01
* R411	W J607700	Carbon Resistor (chip)	2.4K J	チ ッ プ 抵 抗	447326	
R412	AA X63140	Carbon Resistor (chip)	220K J	チ ッ プ 抵 抗	067521	
R413	AA X62920	Carbon Resistor (chip)	100K J	チ ッ プ 抵 抗	067499	
R415	AA X63150	Carbon Resistor (chip)	10 J	チ ッ プ 抵 抗	067492	01
R417	AA X63140	Carbon Resistor (chip)	220K J	チ ッ プ 抵 抗	067521	
R418	AA X63130	Carbon Resistor (chip)	3.9K J	チ ッ プ 抵 抗	067539	
R419	AA X63140	Carbon Resistor (chip)	220K J	チ ッ プ 抵 抗	067521	
R420	AA X63140	Carbon Resistor (chip)	220K J	チ ッ プ 抵 抗	067521	
R424	AA X62880	Carbon Resistor (chip)	10K J	チ ッ プ 抵 抗	067497	
R425	AA X62880	Carbon Resistor (chip)	10K J	チ ッ プ 抵 抗	067497	
R426	AA X62780	Carbon Resistor (chip)	33K J	チ ッ プ 抵 抗	067532	
R427	AA X62880	Carbon Resistor (chip)	10K J	チ ッ プ 抵 抗	067497	
R428	AA X62810	Carbon Resistor (chip)	1K J	チ ッ プ 抵 抗	067495	
R429	AA X62880	Carbon Resistor (chip)	10K J	チ ッ プ 抵 抗	067497	
R430	AA X63880	Carbon Resistor (chip)	4.7K J	チ ッ プ 抵 抗	067545	
R431	AA X62870	Carbon Resistor (chip)	5.6K J	チ ッ プ 抵 抗	067553	
R432	AA X62880	Carbon Resistor (chip)	10K J	チ ッ プ 抵 抗	067497	

*: New Parts

RANK: Japan only

CONTROL1 (1/3)/CONTROL2 (2/3)/CONTROL3 (3/3)

REF NO.	PART NO.	DESCRIPTION		部	品	名	REMARKS	QTY	RANK
R433	AAX63130	Carbon Resistor (chip)	3.9K J	チ	ッ	ブ 抵 抗	067539		
R434	AAX62800	Carbon Resistor (chip)	47K J	チ	ッ	ブ 抵 抗	067546		
R435	AAX64050	Carbon Resistor (chip)	330 J	チ	ッ	ブ 抵 抗	067530		
R472	AAX62810	Carbon Resistor (chip)	1K J	チ	ッ	ブ 抵 抗	067495		
R501	AAX62880	Carbon Resistor (chip)	10K J	チ	ッ	ブ 抵 抗	067497		
R502	AAX62780	Carbon Resistor (chip)	33K J	チ	ッ	ブ 抵 抗	067532		
R503	AAX62880	Carbon Resistor (chip)	10K J	チ	ッ	ブ 抵 抗	067497		
R504	AAX62920	Carbon Resistor (chip)	100K J	チ	ッ	ブ 抵 抗	067499		
R505	AAX62800	Carbon Resistor (chip)	47K J	チ	ッ	ブ 抵 抗	067546		
R506	AAX62870	Carbon Resistor (chip)	5.6K J	チ	ッ	ブ 抵 抗	067553		
R507	AAX63880	Carbon Resistor (chip)	4.7K J	チ	ッ	ブ 抵 抗	067545		
R508	AAX62810	Carbon Resistor (chip)	1K J	チ	ッ	ブ 抵 抗	067495		
R509	AAX63880	Carbon Resistor (chip)	4.7K J	チ	ッ	ブ 抵 抗	067545		
R510	AAX62870	Carbon Resistor (chip)	5.6K J	チ	ッ	ブ 抵 抗	067553		
R511	AAX62880	Carbon Resistor (chip)	10K J	チ	ッ	ブ 抵 抗	067497		
R512	AAX63130	Carbon Resistor (chip)	3.9K J	チ	ッ	ブ 抵 抗	067539		
R513	AAX62800	Carbon Resistor (chip)	47K J	チ	ッ	ブ 抵 抗	067546		
R514	AAX62880	Carbon Resistor (chip)	10K J	チ	ッ	ブ 抵 抗	067497		
R515	AAX62780	Carbon Resistor (chip)	33K J	チ	ッ	ブ 抵 抗	067532		
R516	AAX62880	Carbon Resistor (chip)	10K J	チ	ッ	ブ 抵 抗	067497		
R517	AAX62920	Carbon Resistor (chip)	100K J	チ	ッ	ブ 抵 抗	067499		
R518	AAX62800	Carbon Resistor (chip)	47K J	チ	ッ	ブ 抵 抗	067546		
R519	AAX62870	Carbon Resistor (chip)	5.6K J	チ	ッ	ブ 抵 抗	067553		
R520	AAX63880	Carbon Resistor (chip)	4.7K J	チ	ッ	ブ 抵 抗	067545		
R521	AAX62810	Carbon Resistor (chip)	1K J	チ	ッ	ブ 抵 抗	067495		
R522	AAX63880	Carbon Resistor (chip)	4.7K J	チ	ッ	ブ 抵 抗	067545		
R523	AAX62870	Carbon Resistor (chip)	5.6K J	チ	ッ	ブ 抵 抗	067553		
R524	AAX62880	Carbon Resistor (chip)	10K J	チ	ッ	ブ 抵 抗	067497		
R525	AAX63130	Carbon Resistor (chip)	3.9K J	チ	ッ	ブ 抵 抗	067539		
R526	AAX62800	Carbon Resistor (chip)	47K J	チ	ッ	ブ 抵 抗	067546		
R527	AAX62880	Carbon Resistor (chip)	10K J	チ	ッ	ブ 抵 抗	067497		
R528	AAX62880	Carbon Resistor (chip)	10K J	チ	ッ	ブ 抵 抗	067497		
* R531	WJ599500	Carbon Resistor (chip)	100 J	チ	ッ	ブ 抵 抗	067493		
* R532	WJ599500	Carbon Resistor (chip)	100 J	チ	ッ	ブ 抵 抗	067493		
R535	AAX62810	Carbon Resistor (chip)	1K J	チ	ッ	ブ 抵 抗	067495		
R541	AAX63860	Metal Oxide Film Resistor	2.2K 1W J	サ	ン	キ ン 抵 抗	068006		
* R542	WJ607500	Carbon Resistor (chip)	360K J	チ	ッ	ブ 抵 抗	448118		
* R543	WJ607500	Carbon Resistor (chip)	360K J	チ	ッ	ブ 抵 抗	448118		
* R544	WJ607000	Carbon Resistor (chip)	200K F	チ	ッ	ブ 抵 抗	068353		
* R545	WJ600200	Carbon Resistor (chip)	51 J	チ	ッ	ブ 抵 抗	333377		
R546	AAX62790	Carbon Resistor (chip)	1.5K J	チ	ッ	ブ 抵 抗	067508		
* R547	WJ606600	Carbon Resistor (chip)	330K J	チ	ッ	ブ 抵 抗	067533		
* R548	WJ606600	Carbon Resistor (chip)	330K J	チ	ッ	ブ 抵 抗	067533		
* R549	WJ607000	Carbon Resistor (chip)	200K F	チ	ッ	ブ 抵 抗	068353		
* R550	WJ600200	Carbon Resistor (chip)	51 J	チ	ッ	ブ 抵 抗	333377		
R551	AAX62790	Carbon Resistor (chip)	1.5K J	チ	ッ	ブ 抵 抗	067508		
* R552	WJ607500	Carbon Resistor (chip)	360K J	チ	ッ	ブ 抵 抗	448118		
* R553	WJ607500	Carbon Resistor (chip)	360K J	チ	ッ	ブ 抵 抗	448118		
* R554	WJ607000	Carbon Resistor (chip)	200K F	チ	ッ	ブ 抵 抗	068353		
* R556	WJ600200	Carbon Resistor (chip)	51 J	チ	ッ	ブ 抵 抗	333377		
R557	AAX62790	Carbon Resistor (chip)	1.5K J	チ	ッ	ブ 抵 抗	067508		
* R558	WJ606600	Carbon Resistor (chip)	330K J	チ	ッ	ブ 抵 抗	067533		
* R559	WJ606600	Carbon Resistor (chip)	330K J	チ	ッ	ブ 抵 抗	067533		
* R560	WJ607000	Carbon Resistor (chip)	200K F	チ	ッ	ブ 抵 抗	068353		
* R561	WJ600200	Carbon Resistor (chip)	51 J	チ	ッ	ブ 抵 抗	333377		
R562	AAX62790	Carbon Resistor (chip)	1.5K J	チ	ッ	ブ 抵 抗	067508		
R563	AAX63120	Carbon Resistor (chip)	1M J	チ	ッ	ブ 抵 抗	067500		
R564	AAX62880	Carbon Resistor (chip)	10K J	チ	ッ	ブ 抵 抗	067497		
* R565	WJ606400	Carbon Resistor (chip)	150K J	チ	ッ	ブ 抵 抗	067510		
R566	AAX62880	Carbon Resistor (chip)	10K J	チ	ッ	ブ 抵 抗	067497		
R567	AAX63870	Carbon Resistor (chip)	560K J	チ	ッ	ブ 抵 抗	067555		
R568	AAX62920	Carbon Resistor (chip)	100K J	チ	ッ	ブ 抵 抗	067499		
R569	AAX63820	Carbon Resistor (chip)	56K J	チ	ッ	ブ 抵 抗	067554		
R570	AAX62880	Carbon Resistor (chip)	10K J	チ	ッ	ブ 抵 抗	067497		
R571	AAX62880	Carbon Resistor (chip)	10K J	チ	ッ	ブ 抵 抗	067497		
R572	AAX63820	Carbon Resistor (chip)	56K J	チ	ッ	ブ 抵 抗	067554		
R573	AAX62880	Carbon Resistor (chip)	10K J	チ	ッ	ブ 抵 抗	067497		
R574	AAX62800	Carbon Resistor (chip)	47K J	チ	ッ	ブ 抵 抗	067546		
R575	AAX62880	Carbon Resistor (chip)	10K J	チ	ッ	ブ 抵 抗	067497		
R576	AAX62810	Carbon Resistor (chip)	1K J	チ	ッ	ブ 抵 抗	067495		

*: New Parts

RANK: Japan only

CONTROL1 (1/3)/CONTROL2 (2/3)/CONTROL3 (3/3)

REF NO.	PART NO.	DESCRIPTION	部 品 名	REMARKS	QTY	RANK
R577	AA X62880	Carbon Resistor (chip)	10K J	チ ッ プ 抵 抗	067497	
-580	AA X62880	Carbon Resistor (chip)	10K J	チ ッ プ 抵 抗	067497	
R581	AA X62810	Carbon Resistor (chip)	1K J	チ ッ プ 抵 抗	067495	
R582	AA X63880	Carbon Resistor (chip)	4.7K J	チ ッ プ 抵 抗	067545	
R583	AA X62880	Carbon Resistor (chip)	10K J	チ ッ プ 抵 抗	067497	
R584	AA X63790	Carbon Resistor (chip)	22K J	チ ッ プ 抵 抗	067520	
R585	AA X63880	Carbon Resistor (chip)	4.7K J	チ ッ プ 抵 抗	067545	
R586	AA X63790	Carbon Resistor (chip)	22K J	チ ッ プ 抵 抗	067520	
R587	AA X63880	Carbon Resistor (chip)	4.7K J	チ ッ プ 抵 抗	067545	
R589	AA X62810	Carbon Resistor (chip)	1K J	チ ッ プ 抵 抗	067495	
R590	AA X62810	Carbon Resistor (chip)	1K J	チ ッ プ 抵 抗	067495	
R591	AA X62880	Carbon Resistor (chip)	10K J	チ ッ プ 抵 抗	067497	
R592	AA X62920	Carbon Resistor (chip)	100K J	チ ッ プ 抵 抗	067499	
R593	AA X62920	Carbon Resistor (chip)	100K J	チ ッ プ 抵 抗	067499	
* R594	WJ 598600	Carbon Resistor	10K 1/4W J	カ ー ボ ン 抵 抗	067073	
R595	AA X63840	Metal Oxide Film Resistor	560 1W J	サ ン キ ン 抵 抗	068052	
* R596	WJ 598600	Carbon Resistor	10K 1/4W J	カ ー ボ ン 抵 抗	067073	
R597	AA X63840	Metal Oxide Film Resistor	560 1W J	サ ン キ ン 抵 抗	068052	
R598	AA X62880	Carbon Resistor (chip)	10K J	チ ッ プ 抵 抗	067497	
R599	AA X63790	Carbon Resistor (chip)	22K J	チ ッ プ 抵 抗	067520	
R612	AA X64080	Carbon Resistor (chip)	680 J	チ ッ プ 抵 抗	067557	
R623	AA X62880	Carbon Resistor (chip)	10K J	チ ッ プ 抵 抗	067497	
R624	AA X62920	Carbon Resistor (chip)	100K J	チ ッ プ 抵 抗	067499	
R626	AA X62810	Carbon Resistor (chip)	1K J	チ ッ プ 抵 抗	067495	
R629	AA X62880	Carbon Resistor (chip)	10K J	チ ッ プ 抵 抗	067497	
R630	AA X62880	Carbon Resistor (chip)	10K J	チ ッ プ 抵 抗	067497	
R632	AA X62910	Carbon Resistor (chip)	15K J	チ ッ プ 抵 抗	067509	
R633	AA X63160	Carbon Resistor (chip)	120K J	チ ッ プ 抵 抗	067505	
R634	AA X62810	Carbon Resistor (chip)	1K J	チ ッ プ 抵 抗	067495	
-637	AA X62810	Carbon Resistor (chip)	1K J	チ ッ プ 抵 抗	067495	
R638	AA X62880	Carbon Resistor (chip)	10K J	チ ッ プ 抵 抗	067497	
R701	AA X62880	Carbon Resistor (chip)	10K J	チ ッ プ 抵 抗	067497	
R702	AA X62780	Carbon Resistor (chip)	33K J	チ ッ プ 抵 抗	067532	
R703	AA X62880	Carbon Resistor (chip)	10K J	チ ッ プ 抵 抗	067497	
R704	AA X62920	Carbon Resistor (chip)	100K J	チ ッ プ 抵 抗	067499	
R705	AA X62800	Carbon Resistor (chip)	47K J	チ ッ プ 抵 抗	067546	
R706	AA X62870	Carbon Resistor (chip)	5.6K J	チ ッ プ 抵 抗	067553	
R707	AA X63880	Carbon Resistor (chip)	4.7K J	チ ッ プ 抵 抗	067545	
R708	AA X62810	Carbon Resistor (chip)	1K J	チ ッ プ 抵 抗	067495	
R709	AA X63880	Carbon Resistor (chip)	4.7K J	チ ッ プ 抵 抗	067545	
R710	AA X62870	Carbon Resistor (chip)	5.6K J	チ ッ プ 抵 抗	067553	
R711	AA X62880	Carbon Resistor (chip)	10K J	チ ッ プ 抵 抗	067497	
R712	AA X63130	Carbon Resistor (chip)	3.9K J	チ ッ プ 抵 抗	067539	
R713	AA X62800	Carbon Resistor (chip)	47K J	チ ッ プ 抵 抗	067546	
R714	AA X62880	Carbon Resistor (chip)	10K J	チ ッ プ 抵 抗	067497	
R715	AA X62780	Carbon Resistor (chip)	33K J	チ ッ プ 抵 抗	067532	
R716	AA X62880	Carbon Resistor (chip)	10K J	チ ッ プ 抵 抗	067497	
R717	AA X62920	Carbon Resistor (chip)	100K J	チ ッ プ 抵 抗	067499	
R718	AA X62800	Carbon Resistor (chip)	47K J	チ ッ プ 抵 抗	067546	
R719	AA X62870	Carbon Resistor (chip)	5.6K J	チ ッ プ 抵 抗	067553	
R720	AA X63880	Carbon Resistor (chip)	4.7K J	チ ッ プ 抵 抗	067545	
R721	AA X62810	Carbon Resistor (chip)	1K J	チ ッ プ 抵 抗	067495	
R722	AA X63880	Carbon Resistor (chip)	4.7K J	チ ッ プ 抵 抗	067545	
R723	AA X62870	Carbon Resistor (chip)	5.6K J	チ ッ プ 抵 抗	067553	
R724	AA X62880	Carbon Resistor (chip)	10K J	チ ッ プ 抵 抗	067497	
R725	AA X63130	Carbon Resistor (chip)	3.9K J	チ ッ プ 抵 抗	067539	
R726	AA X62800	Carbon Resistor (chip)	47K J	チ ッ プ 抵 抗	067546	
R727	AA X62880	Carbon Resistor (chip)	10K J	チ ッ プ 抵 抗	067497	
R728	AA X62880	Carbon Resistor (chip)	10K J	チ ッ プ 抵 抗	067497	
R729	AA X62920	Carbon Resistor (chip)	100K J	チ ッ プ 抵 抗	067499	
R730	AA X62920	Carbon Resistor (chip)	100K J	チ ッ プ 抵 抗	067499	
R731	AA X62870	Carbon Resistor (chip)	5.6K J	チ ッ プ 抵 抗	067553	
R732	AA X62870	Carbon Resistor (chip)	5.6K J	チ ッ プ 抵 抗	067553	
R733	AA X63880	Carbon Resistor (chip)	4.7K J	チ ッ プ 抵 抗	067545	
R734	AA X63880	Carbon Resistor (chip)	4.7K J	チ ッ プ 抵 抗	067545	
R735	AA X62800	Carbon Resistor (chip)	47K J	チ ッ プ 抵 抗	067546	
R736	AA X62800	Carbon Resistor (chip)	47K J	チ ッ プ 抵 抗	067546	
R737	AA X62810	Carbon Resistor (chip)	1K J	チ ッ プ 抵 抗	067495	
R738	AA X62810	Carbon Resistor (chip)	1K J	チ ッ プ 抵 抗	067495	
R858	AA X63790	Carbon Resistor (chip)	22K J	チ ッ プ 抵 抗	067520	

*: New Parts

RANK: Japan only

CONTROL1 (1/3)/CONTROL2 (2/3)/CONTROL3 (3/3) and DSP

REF NO.	PART NO.	DESCRIPTION	部 品 名	REMARKS	QTY	RANK
R862	AAAX63790	Carbon Resistor (chip)	22K J	チ ッ プ 抵 抗	067520	
R880	AAAX64090	Carbon Resistor (chip)	0.00 J	チ ッ プ 抵 抗	067491	
R883	AAAX62810	Carbon Resistor (chip)	1K J	チ ッ プ 抵 抗	067495	
-887	AAAX62810	Carbon Resistor (chip)	1K J	チ ッ プ 抵 抗	067495	
* R890	WJ599900	Carbon Resistor (chip)	820 J	チ ッ プ 抵 抗	067561	
* R891	WJ599900	Carbon Resistor (chip)	820 J	チ ッ プ 抵 抗	067561	
R915	AAAX62880	Carbon Resistor (chip)	10K J	チ ッ プ 抵 抗	067497	
R916	AAAX62880	Carbon Resistor (chip)	10K J	チ ッ プ 抵 抗	067497	
R917	AAAX63880	Carbon Resistor (chip)	4.7K J	チ ッ プ 抵 抗	067545	
R918	AAAX63880	Carbon Resistor (chip)	4.7K J	チ ッ プ 抵 抗	067545	
R919	AAAX62780	Carbon Resistor (chip)	33K J	チ ッ プ 抵 抗	067532	
R920	AAAX62780	Carbon Resistor (chip)	33K J	チ ッ プ 抵 抗	067532	
R921	AAAX62880	Carbon Resistor (chip)	10K J	チ ッ プ 抵 抗	067497	
R922	AAAX62880	Carbon Resistor (chip)	10K J	チ ッ プ 抵 抗	067497	
R923	AAAX62870	Carbon Resistor (chip)	5.6K J	チ ッ プ 抵 抗	067553	
R924	AAAX62870	Carbon Resistor (chip)	5.6K J	チ ッ プ 抵 抗	067553	
R925	AAAX62880	Carbon Resistor (chip)	10K J	チ ッ プ 抵 抗	067497	
R926	AAAX62880	Carbon Resistor (chip)	10K J	チ ッ プ 抵 抗	067497	
R927	AAAX63130	Carbon Resistor (chip)	3.9K J	チ ッ プ 抵 抗	067539	
R928	AAAX63130	Carbon Resistor (chip)	3.9K J	チ ッ プ 抵 抗	067539	
R929	AAAX62800	Carbon Resistor (chip)	47K J	チ ッ プ 抵 抗	067546	
R930	AAAX62800	Carbon Resistor (chip)	47K J	チ ッ プ 抵 抗	067546	
R931	AAAX62880	Carbon Resistor (chip)	10K J	チ ッ プ 抵 抗	067497	
R932	AAAX62880	Carbon Resistor (chip)	10K J	チ ッ プ 抵 抗	067497	
R933	AAAX62920	Carbon Resistor (chip)	100K J	チ ッ プ 抵 抗	067499	
S101	AAAX63180	Push Switch	PS-22E85-L5.2 LF	プ ッ シ ュ ス イ ッ チ	MIC/LINE (CH 1) 407770	03
S102	AAAX63180	Push Switch	PS-22E85-L5.2 LF	プ ッ シ ュ ス イ ッ チ	REVERB (CH 1) 407770	03
S103	AAAX64110	Push Switch	PS-42E85L LF	プ ッ シ ュ ス イ ッ チ	SPEECH/MUSIC 407769	
S104	AAAX64110	Push Switch	PS-42E85L LF	プ ッ シ ュ ス イ ッ チ	LIMIT/COMP (CH 1) 407769	
S201	AAAX63180	Push Switch	PS-22E85-L5.2 LF	プ ッ シ ュ ス イ ッ チ	MIC/LINE (CH 2) 407770	03
S202	AAAX63180	Push Switch	PS-22E85-L5.2 LF	プ ッ シ ュ ス イ ッ チ	REVERB (CH 2) 407770	03
S204	AAAX64110	Push Switch	PS-42E85L LF	プ ッ シ ュ ス イ ッ チ	LIMIT/COMP (CH 2) 407769	
S301	AAAX63180	Push Switch	PS-22E85-L5.2 LF	プ ッ シ ュ ス イ ッ チ	MIC/LINE (CH 3) 407770	03
S302	AAAX63180	Push Switch	PS-22E85-L5.2 LF	プ ッ シ ュ ス イ ッ チ	REVERB (CH 3) 407770	03
S401	AAAX63180	Push Switch	PS-22E85-L5.2 LF	プ ッ シ ュ ス イ ッ チ	MIC/LINE (CH 4) 407770	03
* S402	AAAX63180	Push Switch	PS-22E85-L5.2 LF	プ ッ シ ュ ス イ ッ チ	REVERB (CH 4) 407770	03
* S901	WJ608000	Slide Switch	SS001-P242BPC-PA14	ス ラ イ ド ス イ ッ チ	PHANTOM OFF/ON 445006	
VR101	AAAX64120	Rotary Variable Resistor	1B50KCC 50KB LF	ボ リ ウ ム	LOW (CH 1) 407761	03
VR102	AAAX64120	Rotary Variable Resistor	1B50KCC 50KB LF	ボ リ ウ ム	HIGH (CH 1) 407761	03
VR103	AAAX64130	Rotary Variable Resistor	15A20K 20KA LF	ボ リ ウ ム	LEVEL (CH 1) 407760	03
VR104	AAAX64140	Rotary Variable Resistor	1B50K 50KBx2 LF	ボ リ ウ ム	MONITOR OUT 408703	04
VR105	AAAX64140	Rotary Variable Resistor	1B50K 50KBx2 LF	ボ リ ウ ム	LEVEL (MASTER) 408703	04
VR201	AAAX64120	Rotary Variable Resistor	1B50KCC 50KB LF	ボ リ ウ ム	LOW (CH 2) 407761	03
VR202	AAAX64120	Rotary Variable Resistor	1B50KCC 50KB LF	ボ リ ウ ム	HIGH (CH 2) 407761	03
VR203	AAAX64130	Rotary Variable Resistor	15A20K 20KA LF	ボ リ ウ ム	LEVEL (CH 2) 407760	03
VR301	AAAX64120	Rotary Variable Resistor	1B50KCC 50KB LF	ボ リ ウ ム	LOW (CH 3) 407761	03
VR302	AAAX64120	Rotary Variable Resistor	1B50KCC 50KB LF	ボ リ ウ ム	HIGH (CH 3) 407761	03
VR303	AAAX64130	Rotary Variable Resistor	15A20K 20KA LF	ボ リ ウ ム	LEVEL (CH 3) 407760	03
VR401	AAAX64120	Rotary Variable Resistor	1B50KCC 50KB LF	ボ リ ウ ム	LOW (CH 4) 407761	03
VR402	AAAX64120	Rotary Variable Resistor	1B50KCC 50KB LF	ボ リ ウ ム	HIGH (CH 4) 407761	03
VR403	AAAX64130	Rotary Variable Resistor	15A20K 20KA LF	ボ リ ウ ム	LEVEL (CH 4) 407760	03
VR501	AAAX64160	Rotary Variable Resistor	1B50KCC 50KBx2 LF	ボ リ ウ ム	LOW (CH 5/6) 407763	04
VR502	AAAX64160	Rotary Variable Resistor	1B50KCC 50KBx2 LF	ボ リ ウ ム	HIGH (CH 5/6) 407763	04
VR503	AAAX64150	Rotary Variable Resistor	15A20K 20KAx2 LF	ボ リ ウ ム	LEVEL (CH 5/6) 407762	04
* VR601	WJ613500	Rotary Variable Resistor	1B20K 20KBx2 LF	ボ リ ウ ム	REVERB (CH 1-4) 446653	
VR701	AAAX64160	Rotary Variable Resistor	1B50KCC 50KBx2 LF	ボ リ ウ ム	LOW (CH 7/8) 407763	04
VR702	AAAX64160	Rotary Variable Resistor	1B50KCC 50KBx2 LF	ボ リ ウ ム	HIGH (CH 7/8) 407763	04
VR703	AAAX64150	Rotary Variable Resistor	15A20K 20KAx2 LF	ボ リ ウ ム	LEVEL (CH 7/8) 407762	04
VR901	AAAX64160	Rotary Variable Resistor	1B50KCC 50KBx2 LF	ボ リ ウ ム	LOW (CH 9/10) 407763	04
VR902	AAAX64160	Rotary Variable Resistor	1B50KCC 50KBx2 LF	ボ リ ウ ム	HIGH (CH 9/10) 407763	04
VR903	AAAX64150	Rotary Variable Resistor	15A20K 20KAx2 LF	ボ リ ウ ム	LEVEL (CH 9/10) 407762	04
ZN1	AAAX63190	Varistor	AVR-M1608C270KT2AB	バ リ ス タ	374351	
-14	AAAX63190	Varistor	AVR-M1608C270KT2AB	バ リ ス タ	374351	
* WJ336900	Circuit Board	DSP	D S P シ ー ト	(1043-40) 444608		
C120	AAAX61820	Ceramic Capacitor (chip)	10P 50V J	チ ッ プ セ ラ コ ン	065472	
C121	AAAX62990	Electrolytic Cap. (chip)	10/35V	チ ッ プ ケ ミ コ ン	412428	
C124	AAAX62990	Electrolytic Cap. (chip)	10/35V	チ ッ プ ケ ミ コ ン	412428	
C125	AAAX11160	Mylar Capacitor	0.15 50V J	マイ ラ コ ン (W = 6)	064914	
C126	AAAX11160	Mylar Capacitor	0.15 50V J	マイ ラ コ ン (W = 6)	064914	

*: New Parts

RANK: Japan only

DSP

REF NO.	PART NO.	DESCRIPTION	部 品 名	REMARKS	QTY	RANK
* C130	WJ588200	Mylar Capacitor	0.01 50V J	マ イ ラ コ ン	064906	
C150	AA62990	Electrolytic Cap. (chip)	10/35V	チ ッ プ ケ ミ コ ン	412428	
C151	AA63010	Ceramic Capacitor (chip)	22P 50V	チ ッ プ セ ラ コ ン	065483	
C220	AA61820	Ceramic Capacitor (chip)	10P 50V J	チ ッ プ セ ラ コ ン	065472	
C221	AA62990	Electrolytic Cap. (chip)	10/35V	チ ッ プ ケ ミ コ ン	412428	
C224	AA62990	Electrolytic Cap. (chip)	10/35V	チ ッ プ ケ ミ コ ン	412428	
C225	AA11160	Mylar Capacitor	0.15 50V J	マ イ ラ コ ン (W = 6)	064914	
C226	AA11160	Mylar Capacitor	0.15 50V J	マ イ ラ コ ン (W = 6)	064914	
* C230	WJ588200	Mylar Capacitor	0.01 50V J	マ イ ラ コ ン	064906	
C250	AA62990	Electrolytic Cap. (chip)	10/35V	チ ッ プ ケ ミ コ ン	412428	
C251	AA63010	Ceramic Capacitor (chip)	22P 50V	チ ッ プ セ ラ コ ン	065483	
C602	AA62990	Electrolytic Cap. (chip)	10/35V	チ ッ プ ケ ミ コ ン	412428	
C619	AA62720	Ceramic Capacitor (chip)	47P 50V J	チ ッ プ セ ラ コ ン	065490	
C898	AA62730	Ceramic Capacitor (chip)	0.01 50V K	チ ッ プ セ ラ コ ン	368353	
C899	AA62730	Ceramic Capacitor (chip)	0.01 50V K	チ ッ プ セ ラ コ ン	368353	
C904	AA62730	Ceramic Capacitor (chip)	0.01 50V K	チ ッ プ セ ラ コ ン	368353	
C905	AA62730	Ceramic Capacitor (chip)	0.01 50V K	チ ッ プ セ ラ コ ン	368353	
C933	AA62990	Electrolytic Cap. (chip)	10/35V	チ ッ プ ケ ミ コ ン	412428	
C934	AA62990	Electrolytic Cap. (chip)	10/35V	チ ッ プ ケ ミ コ ン	412428	
C940	AA62730	Ceramic Capacitor (chip)	0.01 50V K	チ ッ プ セ ラ コ ン	368353	
C941	AA62730	Ceramic Capacitor (chip)	0.01 50V K	チ ッ プ セ ラ コ ン	368353	
C1001	AA62730	Ceramic Capacitor (chip)	0.01 50V K	チ ッ プ セ ラ コ ン	368353	
-1004	AA62730	Ceramic Capacitor (chip)	0.01 50V K	チ ッ プ セ ラ コ ン	368353	
* C1005	WJ590800	Ceramic Capacitor (chip)	150P 50V J	チ ッ プ セ ラ コ ン	065478	
C1006	AA63000	Ceramic Capacitor (chip)	100P 50V J	チ ッ プ セ ラ コ ン	065473	
C1007	AA62990	Electrolytic Cap. (chip)	10/35V	チ ッ プ ケ ミ コ ン	412428	
C1008	AA62730	Ceramic Capacitor (chip)	0.01 50V K	チ ッ プ セ ラ コ ン	368353	
* C1009	WJ590600	Electrolytic Cap. (chip)	2.2/50V	チ ッ プ ケ ミ コ ン	444621	
C1010	AA63450	Ceramic Capacitor (chip)	0.1 25V Z	チ ッ プ セ ラ コ ン	065469	
C1011	AA62730	Ceramic Capacitor (chip)	0.01 50V K	チ ッ プ セ ラ コ ン	368353	
C1012	AA63360	Electrolytic Cap.	10/50V	ケ ミ コ ン	407785	
C1013	--	Ceramic Capacitor	0.1 25V Z	セ ラ コ ン	065955	
C1014	AA62730	Ceramic Capacitor (chip)	0.01 50V K	チ ッ プ セ ラ コ ン	368353	
C1015	AA62990	Electrolytic Cap. (chip)	10/35V	チ ッ プ ケ ミ コ ン	412428	
C1016	AA63450	Ceramic Capacitor (chip)	0.1 25V Z	チ ッ プ セ ラ コ ン	065469	
* C1017	WJ590400	Electrolytic Cap. (chip)	100/16V	チ ッ プ ケ ミ コ ン	066076	
C1018	AA63450	Ceramic Capacitor (chip)	0.1 25V Z	チ ッ プ セ ラ コ ン	065469	
-1021	AA63450	Ceramic Capacitor (chip)	0.1 25V Z	チ ッ プ セ ラ コ ン	065469	
* C1022	WJ590400	Electrolytic Cap. (chip)	100/16V	チ ッ プ ケ ミ コ ン	066076	
* C1023	WJ590400	Electrolytic Cap. (chip)	100/16V	チ ッ プ ケ ミ コ ン	066076	
C1024	AA63450	Ceramic Capacitor (chip)	0.1 25V Z	チ ッ プ セ ラ コ ン	065469	
-1026	AA63450	Ceramic Capacitor (chip)	0.1 25V Z	チ ッ プ セ ラ コ ン	065469	
C1027	AA63000	Ceramic Capacitor (chip)	100P 50V J	チ ッ プ セ ラ コ ン	065473	
C1028	AA63450	Ceramic Capacitor (chip)	0.1 25V Z	チ ッ プ セ ラ コ ン	065469	
C1029	AA63450	Ceramic Capacitor (chip)	0.1 25V Z	チ ッ プ セ ラ コ ン	065469	
* C1030	WJ591400	Ceramic Capacitor (chip)	4700P J	チ ッ プ セ ラ コ ン	423392	
C1031	AA62980	Ceramic Capacitor (chip)	220P 50V J	チ ッ プ セ ラ コ ン	065484	
* C1032	WJ590400	Electrolytic Cap. (chip)	100/16V	チ ッ プ ケ ミ コ ン	066076	
C1033	AA63450	Ceramic Capacitor (chip)	0.1 25V Z	チ ッ プ セ ラ コ ン	065469	
-1038	AA63450	Ceramic Capacitor (chip)	0.1 25V Z	チ ッ プ セ ラ コ ン	065469	
* C1039	WJ590900	Ceramic Capacitor (chip)	180P 50V J	チ ッ プ セ ラ コ ン	065481	
C1040	AA63450	Ceramic Capacitor (chip)	0.1 25V Z	チ ッ プ セ ラ コ ン	065469	
C1041	AA62990	Electrolytic Cap. (chip)	10/35V	チ ッ プ ケ ミ コ ン	412428	
* C1042	WJ591000	Ceramic Capacitor (chip)	1500P 50V K	チ ッ プ セ ラ コ ン	065505	
C1043	AA62970	Electrolytic Cap. (chip)	47/25V	チ ッ プ ケ ミ コ ン	412426	
C1044	AA63450	Ceramic Capacitor (chip)	0.1 25V Z	チ ッ プ セ ラ コ ン	065469	
-1046	AA63450	Ceramic Capacitor (chip)	0.1 25V Z	チ ッ プ セ ラ コ ン	065469	
C1047	AA62990	Electrolytic Cap. (chip)	10/35V	チ ッ プ ケ ミ コ ン	412428	
C1048	AA63450	Ceramic Capacitor (chip)	0.1 25V Z	チ ッ プ セ ラ コ ン	065469	
* C1049	WJ590900	Ceramic Capacitor (chip)	180P 50V J	チ ッ プ セ ラ コ ン	065481	
C1050	AA62970	Electrolytic Cap. (chip)	47/25V	チ ッ プ ケ ミ コ ン	412426	
C1051	AA63450	Ceramic Capacitor (chip)	0.1 25V Z	チ ッ プ セ ラ コ ン	065469	
C1052	AA63450	Ceramic Capacitor (chip)	0.1 25V Z	チ ッ プ セ ラ コ ン	065469	
C1053	AA62990	Electrolytic Cap. (chip)	10/35V	チ ッ プ ケ ミ コ ン	412428	
C1054	AA63450	Ceramic Capacitor (chip)	0.1 25V Z	チ ッ プ セ ラ コ ン	065469	
C1055	AA62990	Electrolytic Cap. (chip)	10/35V	チ ッ プ ケ ミ コ ン	412428	
-1057	AA62990	Electrolytic Cap. (chip)	10/35V	チ ッ プ ケ ミ コ ン	412428	
C1058	AA63450	Ceramic Capacitor (chip)	0.1 25V Z	チ ッ プ セ ラ コ ン	065469	
C1059	AA62990	Electrolytic Cap. (chip)	10/35V	チ ッ プ ケ ミ コ ン	412428	
C1060	AA62990	Electrolytic Cap. (chip)	10/35V	チ ッ プ ケ ミ コ ン	412428	

*: New Parts

RANK: Japan only

DSP

REF NO.	PART NO.	DESCRIPTION		部 品 名	REMARKS	QTY	RANK
C1061	AAX63450	Ceramic Capacitor (chip)	0.1 25V Z	チ ッ プ セ ラ コ ン		065469	
C1067	AAX61820	Ceramic Capacitor (chip)	10P 50V J	チ ッ プ セ ラ コ ン		065472	
* CN28	WJ593100	Connector Base Post	9P 52418-0910 LF	コ ネ ク タ 9 P		432421	
* CN32	WJ593400	Connector Base Post	8P 52418-0810 LF	コ ネ ク タ 8 P		438405	
D608	XX698570	Diode (chip)	1SS355 TE-17	ダ イ オ ー ド		069444	01
D609	XX698570	Diode (chip)	1SS355 TE-17	ダ イ オ ー ド		069444	01
* FB1001	WJ594300	Chip Inductance	BK1608 HS601-T T	チ ッ プ インダクタ		056654	
* FB1002	WJ594300	Chip Inductance	BK1608 HS601-T T	チ ッ プ インダクタ		056654	
IC103	AAX62750	IC (chip)	NJM2068M-D TE1		OP AMP	070170	04
IC107	AAX62750	IC (chip)	NJM2068M-D TE1		OP AMP	070170	04
IC204	AAX62750	IC (chip)	NJM2068M-D TE1		OP AMP	070170	04
IC603	AAX62750	IC (chip)	NJM2068M-D TE1		OP AMP	070170	04
* IC1003	X8573A00	IC	PST596DNR LF		SYSTEM RESET	444670	
* IC1004	X8575A00	IC	AK5381VT T LF		ADC	444674	
* IC1005	X8571A00	IC	RH5RZ25CA-T1 T LF		REGULATOR +2.5V	444672	
* IC1006	X8572A00	IC	UPC2933AT T LF		REGULATOR +3.3V	444673	
IC1007	X6055A00	IC	YMW767-VTZ LF		CPU (SWL01B)	444631	10
* IC1008	X8574A00	IC	PCM1742EK T LF		DAC	444671	
IC1009	AAX62750	IC (chip)	NJM2068M-D TE1		OP AMP	070170	04
IC1010	X5922A00	IC	MX23L8103TC-90 LF		C MASK ROM 8M	444632	06
IC1011	AAX62750	IC (chip)	NJM2068M-D TE1		OP AMP	070170	04
* L1001	WJ595500	Coil	NFE31PT222Z1E9L LF	コ イ ル		444630	
* -1005	WJ595500	Coil	NFE31PT222Z1E9L LF	コ イ ル		444630	
Q105	AAX62770	Transistor (chip)	KRA102S-RTK/P T LF	ト ラ ン ジ ス タ		402267	01
Q106	AAX45980	Transistor (chip)	2SC2412K QRS T146	ト ラ ン ジ ス タ		068775	01
Q108	AAX64040	FET	2SK246 BL (-F)	F E T		407813	03
Q205	AAX62770	Transistor (chip)	KRA102S-RTK/P T LF	ト ラ ン ジ ス タ		402267	01
Q206	AAX45980	Transistor (chip)	2SC2412K QRS T146	ト ラ ン ジ ス タ		068775	01
Q208	AAX64040	FET	2SK246 BL (-F)	F E T		407813	03
* Q1001	WJ614000	Digital Transistor	DTC114EKA T146	デ ジ タ ル ト ラ ン ジ ス タ		069349	
* Q1002	WJ613800	Digital Transistor	DTA114EKA T146	デ ジ タ ル ト ラ ン ジ ス タ		069258	
* Q1003	WJ612800	Transistor	2SC3326-B(T E85L F)	ト ラ ン ジ ス タ		068835	
* Q1004	WJ612800	Transistor	2SC3326-B(T E85L F)	ト ラ ン ジ ス タ		068835	
R136	AAX63820	Carbon Resistor (chip)	56K J	チ ッ プ 抵 抗		067554	
R140	AAX62790	Carbon Resistor (chip)	1.5K J	チ ッ プ 抵 抗		067508	
R141	AAX62800	Carbon Resistor (chip)	47K J	チ ッ プ 抵 抗		067546	
R144	AAX62800	Carbon Resistor (chip)	47K J	チ ッ プ 抵 抗		067546	
R145	AAX62810	Carbon Resistor (chip)	1K J	チ ッ プ 抵 抗		067495	
R146	AAX62820	Carbon Resistor (chip)	270K J	チ ッ プ 抵 抗		067528	
R147	AAX64090	Carbon Resistor (chip)	0.00 J	チ ッ プ 抵 抗		067491	
R148	AAX62780	Carbon Resistor (chip)	33K J	チ ッ プ 抵 抗		067532	
R149	AAX62870	Carbon Resistor (chip)	5.6K J	チ ッ プ 抵 抗		067553	
R150	AAX62840	Carbon Resistor (chip)	68K J	チ ッ プ 抵 抗		067559	
* R151	WJ599600	Carbon Resistor (chip)	220 J	チ ッ プ 抵 抗		067518	
R152	AAX62850	Carbon Resistor (chip)	2.2K J	チ ッ プ 抵 抗		067519	
R154	AAX62810	Carbon Resistor (chip)	1K J	チ ッ プ 抵 抗		067495	
R155	AAX62860	Carbon Resistor (chip)	150K J	チ ッ プ 抵 抗		067511	
R159	AAX62870	Carbon Resistor (chip)	5.6K J	チ ッ プ 抵 抗		067553	
R161	AAX62920	Carbon Resistor (chip)	100K J	チ ッ プ 抵 抗		067499	
R180	AAX63790	Carbon Resistor (chip)	22K J	チ ッ プ 抵 抗		067520	
R181	AAX62840	Carbon Resistor (chip)	68K J	チ ッ プ 抵 抗		067559	
R182	AAX64060	Carbon Resistor (chip)	27K J	チ ッ プ 抵 抗		067527	
R196	AAX62860	Carbon Resistor (chip)	150K J	チ ッ プ 抵 抗		067511	
R236	AAX63820	Carbon Resistor (chip)	56K J	チ ッ プ 抵 抗		067554	
R240	AAX62790	Carbon Resistor (chip)	1.5K J	チ ッ プ 抵 抗		067508	
R241	AAX62800	Carbon Resistor (chip)	47K J	チ ッ プ 抵 抗		067546	
R244	AAX62800	Carbon Resistor (chip)	47K J	チ ッ プ 抵 抗		067546	
R245	AAX62810	Carbon Resistor (chip)	1K J	チ ッ プ 抵 抗		067495	
R246	AAX62820	Carbon Resistor (chip)	270K J	チ ッ プ 抵 抗		067528	
R247	AAX64090	Carbon Resistor (chip)	0.00 J	チ ッ プ 抵 抗		067491	
R248	AAX62780	Carbon Resistor (chip)	33K J	チ ッ プ 抵 抗		067532	
R249	AAX62870	Carbon Resistor (chip)	5.6K J	チ ッ プ 抵 抗		067553	
R250	AAX62840	Carbon Resistor (chip)	68K J	チ ッ プ 抵 抗		067559	
* R251	WJ599600	Carbon Resistor (chip)	220 J	チ ッ プ 抵 抗		067518	
R252	AAX62850	Carbon Resistor (chip)	2.2K J	チ ッ プ 抵 抗		067519	
R254	AAX62810	Carbon Resistor (chip)	1K J	チ ッ プ 抵 抗		067495	
R255	AAX62860	Carbon Resistor (chip)	150K J	チ ッ プ 抵 抗		067511	
R259	AAX62870	Carbon Resistor (chip)	5.6K J	チ ッ プ 抵 抗		067553	
R261	AAX62920	Carbon Resistor (chip)	100K J	チ ッ プ 抵 抗		067499	
R280	AAX63790	Carbon Resistor (chip)	22K J	チ ッ プ 抵 抗		067520	

*: New Parts

RANK: Japan only

DSP and JACK and NETWORK

REF NO.	PART NO.	DESCRIPTION		部 品 名	REMARKS	QTY	RANK
R281	AA X62840	Carbon Resistor (chip)	68K J	チ ッ プ 抵 抗		067559	
R282	AA X64060	Carbon Resistor (chip)	27K J	チ ッ プ 抵 抗		067527	
R296	AA X62860	Carbon Resistor (chip)	150K J	チ ッ プ 抵 抗		067511	
R336	AA X63820	Carbon Resistor (chip)	56K J	チ ッ プ 抵 抗		067554	
R436	AA X63820	Carbon Resistor (chip)	56K J	チ ッ プ 抵 抗		067554	
R601	AA X62800	Carbon Resistor (chip)	47K J	チ ッ プ 抵 抗		067546	
R607	AA X62870	Carbon Resistor (chip)	5.6K J	チ ッ プ 抵 抗		067553	
R610	AA X62900	Carbon Resistor (chip)	470 J	チ ッ プ 抵 抗		067544	
R611	AA X62900	Carbon Resistor (chip)	470 J	チ ッ プ 抵 抗		067544	
R1001	AA X62810	Carbon Resistor (chip)	1K J	チ ッ プ 抵 抗		067495	
-1004	AA X62810	Carbon Resistor (chip)	1K J	チ ッ プ 抵 抗		067495	
R1005	AA X62880	Carbon Resistor (chip)	10K J	チ ッ プ 抵 抗		067497	
-1008	AA X62880	Carbon Resistor (chip)	10K J	チ ッ プ 抵 抗		067497	
R1009	AA X62870	Carbon Resistor (chip)	5.6K J	チ ッ プ 抵 抗		067553	
* R1010	W J607200	Carbon Resistor (chip)	36K J	チ ッ プ 抵 抗		338927	
R1011	AA X63790	Carbon Resistor (chip)	22K J	チ ッ プ 抵 抗		067520	
R1012	AA X64090	Carbon Resistor (chip)	0.00 J	チ ッ プ 抵 抗		067491	
* R1013	W J607200	Carbon Resistor (chip)	36K J	チ ッ プ 抵 抗		338927	
* R1014	W J599500	Carbon Resistor (chip)	100 J	チ ッ プ 抵 抗		067493	
* R1015	W J599800	Carbon Resistor (chip)	47 J	チ ッ プ 抵 抗		067543	
R1016	AA X63880	Carbon Resistor (chip)	4.7K J	チ ッ プ 抵 抗		067545	
R1019	AA X62880	Carbon Resistor (chip)	10K J	チ ッ プ 抵 抗		067497	
-1022	AA X62880	Carbon Resistor (chip)	10K J	チ ッ プ 抵 抗		067497	
R1023	AA X62810	Carbon Resistor (chip)	1K J	チ ッ プ 抵 抗		067495	
R1024	AA X62900	Carbon Resistor (chip)	470 J	チ ッ プ 抵 抗		067544	
R1025	AA X63140	Carbon Resistor (chip)	220K J	チ ッ プ 抵 抗		067521	
R1028	AA X62880	Carbon Resistor (chip)	10K J	チ ッ プ 抵 抗		067497	
R1029	AA X62880	Carbon Resistor (chip)	10K J	チ ッ プ 抵 抗		067497	
* R1030	W J607200	Carbon Resistor (chip)	36K J	チ ッ プ 抵 抗		338927	
R1031	AA X62880	Carbon Resistor (chip)	10K J	チ ッ プ 抵 抗		067497	
R1032	AA X62870	Carbon Resistor (chip)	5.6K J	チ ッ プ 抵 抗		067553	
R1033	AA X63110	Carbon Resistor (chip)	3.3K J	チ ッ プ 抵 抗		067531	
R1034	AA X62810	Carbon Resistor (chip)	1K J	チ ッ プ 抵 抗		067495	
* R1035	W J607200	Carbon Resistor (chip)	36K J	チ ッ プ 抵 抗		338927	
R1039	AA X62870	Carbon Resistor (chip)	5.6K J	チ ッ プ 抵 抗		067553	
R1040	AA X63110	Carbon Resistor (chip)	3.3K J	チ ッ プ 抵 抗		067531	
R1041	AA X62810	Carbon Resistor (chip)	1K J	チ ッ プ 抵 抗		067495	
* R1042	W J599800	Carbon Resistor (chip)	47 J	チ ッ プ 抵 抗		067543	
* R1043	W J599800	Carbon Resistor (chip)	47 J	チ ッ プ 抵 抗		067543	
R1045	AA X62880	Carbon Resistor (chip)	10K J	チ ッ プ 抵 抗		067497	
R1048	AA X62880	Carbon Resistor (chip)	10K J	チ ッ プ 抵 抗		067497	
* R1049	W J599800	Carbon Resistor (chip)	47 J	チ ッ プ 抵 抗		067543	
* R1050	W J599800	Carbon Resistor (chip)	47 J	チ ッ プ 抵 抗		067543	
R1051	AA X62870	Carbon Resistor (chip)	5.6K J	チ ッ プ 抵 抗		067553	
R1052	AA X62810	Carbon Resistor (chip)	1K J	チ ッ プ 抵 抗		067495	
R1053	AA X62880	Carbon Resistor (chip)	10K J	チ ッ プ 抵 抗		067497	
R1054	AA X62880	Carbon Resistor (chip)	10K J	チ ッ プ 抵 抗		067497	
R1055	AA X62920	Carbon Resistor (chip)	100K J	チ ッ プ 抵 抗		067499	
R1056	AA X62920	Carbon Resistor (chip)	100K J	チ ッ プ 抵 抗		067499	
* R1057	W J599500	Carbon Resistor (chip)	100 J	チ ッ プ 抵 抗		067493	
R1058	AA X63880	Carbon Resistor (chip)	4.7K J	チ ッ プ 抵 抗		067545	
R1059	AA X63880	Carbon Resistor (chip)	4.7K J	チ ッ プ 抵 抗		067545	
* X1001	W J613700	Ceramic Resonator	CSTCE16M9V53-R0 LF	セラミック振動子		444636	
*	W J328300	Circuit Board	JACK	J A C K シ ー ト	(5254B-30)	445546	
CN15	AA X63210	Connector Base Post	2P S2P-VH	コネクタ 2 P		048487	
JK106	AA X63220	Phone Jack	4P CK-6.35-29A	ホーンジャック	SPEAKER INPUT	406710	03
*	W J329800	Circuit Board	NETWORK	N E T W O R K シ ー ト	(5254A-30)	445546	
	AA X63240	Cord Holder	SKB-1M WH	インシュロックタイ	L104	080558	
	AA X63250	Cord Holder	SKB-2M WH	インシュロックタイ	L103	080563	
* C143	W J589600	Electrolytic Cap.	4.7uF/100V	B P ケ ミ コ ン		447891	
* C144	W J588300	Film Capacitor	1.5uF/250V	フィルムコンデンサ		447894	
* C145	W J588400	Film Capacitor	10uF/100V	フィルムコンデンサ		447899	
CN8	AA X43690	Connector Base Post	2P B2P-VH	コネクタ 2 P		081661	
* L103	W J598000	Coil	0.6mH	コ イ ル		447889	
* L104	W J598100	Coil	0.17mH	コ イ ル		447890	
P3	--	Wire Red	+ LF SP-WF 205N	束線 L F 赤		436034	
P4	--	Wire Black	- LF SP-WF 110N	束線 L F 黒		436035	
P5	--	Wire Yellow	+ HF SP-TW 205N	束線 H F 黄		436036	

*: New Parts

RANK: Japan only

NETWORK and POWER

REF NO.	PART NO.	DESCRIPTION		部 品 名	REMARKS	QTY	RANK
P6	--	Wire Blue	- HF SP-TW 110N	束 線 H F 青		436037	
* P.SW	WJ611800	Protector Switch	RXEF065 LF	ポ リ ス イ ッ チ		446830	
	WJ336200	Circuit Board	POWER	P O W E R シ ー ト	J,U,C (8146-40)	444598	
	WJ336300	Circuit Board	POWER	P O W E R シ ー ト	B,H,O (8146-40)	444744	
	--	Heat Sink	50X35	ヒ ー ト シ ン ク		393211	2
	--	Heat Sink	POWER SUPPLY	ヒ ー ト シ ン ク		445542	2
	--	Insulation Sheet	HEAT SINK	絶 縁 板 シ ー ト		447995	
	AAX63350	Fuse Holder	EYF-52BCY T	ヒ ュ ー ズ ホ ル ダ		404188	2
	WK011000	Pan Head Screw	M3.0X8 CR3	小 ネ ジ 十 P A N		417381	12
△	C801	AAX68720	Mylar Capacitor	マ イ ラ コ ン		396432	
△	C802	AAX63440	Ceramic Capacitor	セ ラ コ ン		360686	
△	C803	AAX63440	Ceramic Capacitor	セ ラ コ ン		360686	
	C806	WJ589000	Electrolytic Cap.	ケ ミ コ ン	J,U,C	444615	
	-809	WJ589000	Electrolytic Cap.	ケ ミ コ ン	J,U,C	444615	
	C806	AAX63390	Electrolytic Cap.	ケ ミ コ ン	B,H,O	407823	
	-809	AAX63390	Electrolytic Cap.	ケ ミ コ ン	B,H,O	407823	
	C810	AAX63400	Electrolytic Cap.	ケ ミ コ ン		066731	
	C811	WJ588700	Electrolytic Cap.	ケ ミ コ ン		413044	
	C812	WJ592200	Ceramic Capacitor (chip)	チ ッ プ セ ラ コ ン		374404	
	C813	WJ614200	Electrolytic Cap.	ケ ミ コ ン		420756	
	C814	WJ614200	Electrolytic Cap.	ケ ミ コ ン		420756	
	C818	AAX63500	Electrolytic Cap.	ケ ミ コ ン		066700	01
	C819	WJ587600	Mylar Capacitor	マ イ ラ コ ン		055500	
	C820	WJ592200	Ceramic Capacitor (chip)	チ ッ プ セ ラ コ ン		374404	
	C821	WJ588800	Electrolytic Cap.	ケ ミ コ ン		418846	
	C822	WJ592200	Ceramic Capacitor (chip)	チ ッ プ セ ラ コ ン		374404	
	C823	WJ588600	Electrolytic Cap.	ケ ミ コ ン		407787	
	C824	AAX62980	Ceramic Capacitor (chip)	チ ッ プ セ ラ コ ン		065484	
	C825	AAX62980	Ceramic Capacitor (chip)	チ ッ プ セ ラ コ ン		065484	
	C826	WJ592200	Ceramic Capacitor (chip)	チ ッ プ セ ラ コ ン		374404	
	C827	WJ589500	Electrolytic Cap.	ケ ミ コ ン		446161	
	C828	WJ589500	Electrolytic Cap.	ケ ミ コ ン		446161	
	C830	AAX63440	Ceramic Capacitor	セ ラ コ ン		360686	
	C831	WJ589300	Electrolytic Cap.	ケ ミ コ ン		444619	
	C832	WJ589300	Electrolytic Cap.	ケ ミ コ ン		444619	
	C833	WJ592200	Ceramic Capacitor (chip)	チ ッ プ セ ラ コ ン		374404	
	C834	WJ592200	Ceramic Capacitor (chip)	チ ッ プ セ ラ コ ン		374404	
	C835	AAX63360	Electrolytic Cap.	ケ ミ コ ン		407785	
	-837	AAX63360	Electrolytic Cap.	ケ ミ コ ン		407785	
	C838	AAX63410	Electrolytic Cap.	ケ ミ コ ン		407824	
	C839	AAX63410	Electrolytic Cap.	ケ ミ コ ン		407824	
	C840	WJ589100	Electrolytic Cap.	ケ ミ コ ン		444616	
	C841	WJ589100	Electrolytic Cap.	ケ ミ コ ン		444616	
	C842	WJ592200	Ceramic Capacitor (chip)	チ ッ プ セ ラ コ ン		374404	
	C843	WJ592200	Ceramic Capacitor (chip)	チ ッ プ セ ラ コ ン		374404	
	C844	AAX63380	Electrolytic Cap.	ケ ミ コ ン		407821	
	C845	WJ592200	Ceramic Capacitor (chip)	チ ッ プ セ ラ コ ン		374404	
	C847	WJ592200	Ceramic Capacitor (chip)	チ ッ プ セ ラ コ ン		374404	
	C848	WJ592200	Ceramic Capacitor (chip)	チ ッ プ セ ラ コ ン		374404	
	C849	AAX62730	Ceramic Capacitor (chip)	チ ッ プ セ ラ コ ン		368353	
	C850	WJ588800	Electrolytic Cap.	ケ ミ コ ン		418846	
	C853	AAX63020	Ceramic Capacitor (chip)	チ ッ プ セ ラ コ ン		065501	
	C857	WJ592200	Ceramic Capacitor (chip)	チ ッ プ セ ラ コ ン		374404	
	C858	AAX63800	Carbon Resistor (chip)	チ ッ プ 抵 抗		067562	
	-861	AAX63800	Carbon Resistor (chip)	チ ッ プ 抵 抗		067562	
△	CN801	AAX10590	Connector Base Post	コ ネ ク タ 2 P		081855	
	CN802	WJ592800	Connector Base Post	コ ネ ク タ 8 P		081541	
	CN803	AAX42460	Connector Base Post	コ ネ ク タ 2 P		081439	01
	CN804	WJ592900	Connector Base Post	コ ネ ク タ 5 P		081672	
	D801	AAX42550	Diode	ダ イ オ ー ド		069460	01
	D802	WJ594700	Diode Stack	ダ イ オ ー ド ス タ ッ ク		337903	
	D803	AAX42550	Diode	ダ イ オ ー ド		069460	01
	D804	WJ596800	Zener Diode	ツ ェ ナ ー ダ イ オ ー ド		069099	
	D805	WJ594900	Diode Stack	ダ イ オ ー ド ス タ ッ ク		394247	
	D806	AAX42550	Diode	ダ イ オ ー ド		069460	01
	D812	WJ594800	Diode	ダ イ オ ー ド		358078	
	D813	WJ594800	Diode	ダ イ オ ー ド		358078	
	D814	WJ594600	Diode	ダ イ オ ー ド		049037	
	D815	WJ594600	Diode	ダ イ オ ー ド		049037	

*: New Parts

RANK: Japan only

POWER

REF NO.	PART NO.	DESCRIPTION	部 品 名	REMARKS	QTY	RANK
* D816	WJ594800	Diode	AG01ZV0 T	ダイオード	358078	
* -819	WJ594800	Diode	AG01ZV0 T	ダイオード	358078	
D820	AAAX42550	Diode	1SS133 T-77	ダイオード	069460	01
* D821	WJ597000	Zener Diode	MTZJ33B T-77	ツェナーダイオード	069237	
* D822	WJ597000	Zener Diode	MTZJ33B T-77	ツェナーダイオード	069237	
* D823	WJ596900	Zener Diode	MTZJ24B T-77	ツェナーダイオード	069220	
D824	AAAX42550	Diode	1SS133 T-77	ダイオード	069460	01
* D826	WJ594600	Diode	AK04V0 T	ダイオード	049037	
D827	AAAX42550	Diode	1SS133 T-77	ダイオード	069460	01
-831	AAAX42550	Diode	1SS133 T-77	ダイオード	069460	01
D832	AAAX63590	Zener Diode	MTZJ18B T-77	ツェナーダイオード	069208	
D833	AAAX42550	Diode	1SS133 T-77	ダイオード	069460	01
D834	AAAX42550	Diode	1SS133 T-77	ダイオード	069460	01
D835	AAAX63590	Zener Diode	MTZJ18B T-77	ツェナーダイオード	069208	
EP801	XX698880	Lug Terminal	MET37-0001	ラ グ 端 子	075878	02
EP802	XX698880	Lug Terminal	MET37-0001	ラ グ 端 子	075878	02
⚠ * F801	WJ596600	Fuse	T 6.3A 250V	ヒ ュ ー ズ	451066	
FB801	--	Ferrite Core	ZBF503M-00(TA)-TLF	フェライトコア	413258	
FB802	--	Jumper Wire		ジャンパー線		
FB803	--	Ferrite Core	ZBF503M-00(TA)-TLF	フェライトコア	413258	
-805	--	Ferrite Core	ZBF503M-00(TA)-TLF	フェライトコア	413258	
* IC802	X8569A00	IC	UPC494GS-T2-A T	I C	SWITCHING REGULATOR	070475
* IC803	X8570A00	IC	FA3641N T LF	I C	PWM Control	408516
IC804	AAAX63640	IC	KIA7815API-U/P	I C	REGULATOR +15V	407826
IC805	AAAX63660	IC	KIA7915PI-U/P	I C	REGULATOR -15V	407827
IC806	AAAX63670	IC	KIA78M05PI-U/P	I C	REGULATOR +5V	407828
IC807	AAAX63700	PHC	TLP421 (D4)	P H C		337900
* IC809	WJ596700	PHC	PC123GY2J00F T LF	P H C		427399
IC810	AAAX63700	PHC	TLP421 (D4)	P H C		337900
JP801	--	Jumper Wire	7.5mm	ジャンパー線	J,U,C	413568
JP802	--	Jumper Wire	7.5mm	ジャンパー線	B,H,O	413568
JP803	--	Jumper Wire	7.5mm	ジャンパー線	J,U,C	413568
⚠ * L801	AAAX69570	Coil	TF3524B-702Y4R0-01	コ イ ル		417080
* L802	WJ597900	Coil	TF3022H-A502Y6R0-0	コ イ ル		446651
* L803	WJ597500	Coil	RCH8011 LF 100uH	コ イ ル		444623
* -805	WJ597500	Coil	RCH8011 LF 100uH	コ イ ル		444623
* L806	WJ597400	Coil	SM5F2JU21 2.6uH	コ イ ル		393200
* L807	WJ597400	Coil	SM5F2JU21 2.6uH	コ イ ル		393200
* L808	WJ597700	Coil	RCH108 2R7U LF 2.7uH	コ イ ル		444625
* L809	WJ597600	Coil	RCH8011 LF 10uH	コ イ ル		444624
* Q801	WJ612400	Transistor	KTC3198GR AT	ト ラ ン ジ ス タ		051818
* Q804	WJ612500	Transistor	KTC1027 OY AT	ト ラ ン ジ ス タ		358032
* Q805	WJ612000	Transistor	KTA1023 OY AT	ト ラ ン ジ ス タ		358027
* Q806	WJ612500	Transistor	KTC1027 OY AT	ト ラ ン ジ ス タ		358032
* Q807	WJ612000	Transistor	KTA1023 OY AT	ト ラ ン ジ ス タ		358027
* Q808	WJ596200	FET	2SK2508(F)	F E T		393203
* Q809	WJ596200	FET	2SK2508(F)	F E T		393203
* Q810	WJ596400	FET	IRFIB41N15DPBF LF	F E T		444642
* -813	WJ596400	FET	IRFIB41N15DPBF LF	F E T		444642
Q815	AAAX63710	Transistor (chip)	2SA1037AK QRS T146	ト ラ ン ジ ス タ		068590
Q816	AAAX45980	Transistor (chip)	2SC2412K QRS T146	ト ラ ン ジ ス タ		068775
* Q817	WJ596300	FET	2SK2842(Q)	F E T		393205
Q818	AAAX45980	Transistor (chip)	2SC2412K QRS T146	ト ラ ン ジ ス タ		068775
* R801	WJ599000	Carbon Resistor	680K 1/4W J	カ ー ボ ン 抵 抗		079317
* R802	WJ598400	Carbon Resistor	10 1/4W J	カ ー ボ ン 抵 抗		067060
* -804	WJ598400	Carbon Resistor	10 1/4W J	カ ー ボ ン 抵 抗		067060
R805	AAAX62880	Carbon Resistor (chip)	10K J	チ ッ プ 抵 抗		067497
R806	AAAX63750	Carbon Resistor	33 1/4W J	カ ー ボ ン 抵 抗		067193
* R808	WJ600400	Carbon Resistor (chip)	6.8 J	チ ッ プ 抵 抗		444634
* R810	WJ598400	Carbon Resistor	10 1/4W J	カ ー ボ ン 抵 抗		067060
* R818	WJ598400	Carbon Resistor	10 1/4W J	カ ー ボ ン 抵 抗		067060
R820	AAAX62870	Carbon Resistor (chip)	5.6K J	チ ッ プ 抵 抗		067553
R821	AAAX62870	Carbon Resistor (chip)	5.6K J	チ ッ プ 抵 抗		067553
R822	AAAX64060	Carbon Resistor (chip)	27K J	チ ッ プ 抵 抗		067527
* R823	WJ598400	Carbon Resistor	10 1/4W J	カ ー ボ ン 抵 抗		067060
R824	AAAX62870	Carbon Resistor (chip)	5.6K J	チ ッ プ 抵 抗		067553
R825	AAAX63100	Carbon Resistor (chip)	1.8K J	チ ッ プ 抵 抗		067514
R826	AAAX62910	Carbon Resistor (chip)	15K J	チ ッ プ 抵 抗		067509
R827	AAAX62810	Carbon Resistor (chip)	1K J	チ ッ プ 抵 抗		067495
R828	AAAX62810	Carbon Resistor (chip)	1K J	チ ッ プ 抵 抗		067495

*: New Parts

RANK: Japan only

POWER

REF NO.	PART NO.	DESCRIPTION		部 品 名	REMARKS	QTY	RANK
* R829	WJ600300	Carbon Resistor (chip)	5.6 J	チ ッ プ 抵 抗		444633	
* R830	WJ600300	Carbon Resistor (chip)	5.6 J	チ ッ プ 抵 抗		444633	
* R831	WJ598800	Carbon Resistor	220K 1/4W J	カ ー ボ ン 抵 抗		067163	
* R832	WJ598900	Carbon Resistor	330K 1/4W J	カ ー ボ ン 抵 抗		067211	
* R833	WJ598800	Carbon Resistor	220K 1/4W J	カ ー ボ ン 抵 抗		067163	
* R834	WJ598800	Carbon Resistor	220K 1/4W J	カ ー ボ ン 抵 抗		067163	
* R835	WJ600300	Carbon Resistor (chip)	5.6 J	チ ッ プ 抵 抗		444633	
* -838	WJ600300	Carbon Resistor (chip)	5.6 J	チ ッ プ 抵 抗		444633	
* R839	WJ600400	Carbon Resistor (chip)	6.8 J	チ ッ プ 抵 抗		444634	
* R840	WJ606500	Carbon Resistor (chip)	2.7K J	チ ッ プ 抵 抗		067526	
R841	AA62850	Carbon Resistor (chip)	2.2K J	チ ッ プ 抵 抗		067519	
* R842	WJ598800	Carbon Resistor	220K 1/4W J	カ ー ボ ン 抵 抗		067163	
R843	AA62810	Carbon Resistor (chip)	1K J	チ ッ プ 抵 抗		067495	
R844	AA62810	Carbon Resistor (chip)	1K J	チ ッ プ 抵 抗		067495	
* R846	WJ599100	Metal Oxide Film Resistor	150 2W J	サ ン キ ン 抵 抗		446652	
* R847	WJ606500	Carbon Resistor (chip)	2.7K J	チ ッ プ 抵 抗		067526	
R848	AA62850	Carbon Resistor (chip)	2.2K J	チ ッ プ 抵 抗		067519	
R849	AA63100	Carbon Resistor (chip)	1.8K J	チ ッ プ 抵 抗		067514	
* R856	WJ598700	Carbon Resistor	100K 1/4W J	カ ー ボ ン 抵 抗		067079	
* R857	WJ598700	Carbon Resistor	100K 1/4W J	カ ー ボ ン 抵 抗		067079	
R858	AA62870	Carbon Resistor (chip)	5.6K J	チ ッ プ 抵 抗		067553	
R859	AA62920	Carbon Resistor (chip)	100K J	チ ッ プ 抵 抗		067499	
R860	AA62920	Carbon Resistor (chip)	100K J	チ ッ プ 抵 抗		067499	
R861	AA62870	Carbon Resistor (chip)	5.6K J	チ ッ プ 抵 抗		067553	
R862	AA62800	Carbon Resistor (chip)	47K J	チ ッ プ 抵 抗		067546	
R865	AA63820	Carbon Resistor (chip)	56K J	チ ッ プ 抵 抗		067554	
R866	AA63100	Carbon Resistor (chip)	1.8K J	チ ッ プ 抵 抗		067514	
R867	AA62780	Carbon Resistor (chip)	33K J	チ ッ プ 抵 抗		067532	
R868	AA62870	Carbon Resistor (chip)	5.6K J	チ ッ プ 抵 抗		067553	
R869	AA63800	Carbon Resistor (chip)	8.2K J	チ ッ プ 抵 抗		067562	
R871	AA64080	Carbon Resistor (chip)	680 J	チ ッ プ 抵 抗		067557	
* R872	WJ607600	Carbon Resistor (chip)	18 J	チ ッ プ 抵 抗		067513	
R873	AA62850	Carbon Resistor (chip)	2.2K J	チ ッ プ 抵 抗		067519	
* R874	WJ607800	Carbon Resistor (chip)	0.047 J	チ ッ プ 抵 抗		446650	
* R875	WJ607800	Carbon Resistor (chip)	0.047 J	チ ッ プ 抵 抗		446650	
* R876	WJ598900	Carbon Resistor	330K 1/4W J	カ ー ボ ン 抵 抗		067211	
* R877	WJ598900	Carbon Resistor	330K 1/4W J	カ ー ボ ン 抵 抗		067211	
R878	AA63820	Carbon Resistor (chip)	56K J	チ ッ プ 抵 抗		067554	
R879	AA64090	Carbon Resistor (chip)	0.00 J	チ ッ プ 抵 抗		067491	
* R881	WJ598900	Carbon Resistor	330K 1/4W J	カ ー ボ ン 抵 抗		067211	
* R882	WJ598900	Carbon Resistor	330K 1/4W J	カ ー ボ ン 抵 抗		067211	
* R	WJ978600	Carbon Resistor	68K 1/4W J	カ ー ボ ン 抵 抗		067297	
△ * RY801	WJ607900	Relay	SDT-S-112LMR	リ レ ー		055473	
△ * T801	X8579A00	Power Transformer	POWER	電 源 ト ラ ン ス		444637	
△ * T802	X8580A00	Power Transformer	DRIVE	電 源 ト ラ ン ス		444639	
△ * T803	X8582A00	Power Transformer	MAIN	電 源 ト ラ ン ス		448931	
△ * T804	X8581A00	Power Transformer	OUT CONTROL	電 源 ト ラ ン ス		444640	
* TH801	WJ611700	Positive Thermistor	NTPAJ100LDKB0 LF	ポ ジ ス タ		437021	
* TH803	WJ611500	Positive Thermistor	PTFM04BG471Q2N34B0	ポ ジ ス タ		068558	
* X8440A00	Speaker HF			ス ビ ー カ H F	TWEETER	445977	2
* X8439A00	Speaker LF			ス ビ ー カ L F	WOOFER	442206	2
△ * WJ614300	AC Inlet	SS-120-1.0A-4.0A		A C イ ン レ ッ ト	AC IN	446340	
△ * AAX61860	Switch	JW-M12RKK		シ ー ソ ー S W	POWER ON/OFF	413658	12
* WJ344200	Fan	7015M12F ND4 LF		フ ァ ン		445184	

*: New Parts

RANK: Japan only

PORTABLE PA SYSTEM

STAGEPAS 500

CIRCUIT DIAGRAM

■ CONTENTS (目次)

BLOCK DIAGRAM (ブロックダイアグラム)	3
CIRCUIT DIAGRAM (回路図)	
AMP	11
CONTROL1 (1/3)	6
CONTROL2 (2/3) 1/2	7
CONTROL2 (2/3) 2/2	8
CONTROL3 (3/3)	5
DSP 1/2	9
DSP 2/2	10
JACK	12
NETWORK	12
POWER	4


Circuit diagram notational explanations

(Example)	Page 4 are the page of a circuit diagram.
to POWER - CN804	G-4 is indicates the location of the counter inter-sheet connector.
(Page 4: G-4)	(The alphabet indicates horizontal direction and the number indicates vertical direction)


回路図表記上の注意

(例)	Page 4 は回路図のページです。[4 ページ]
to POWER - CN804	G-4 は対応するシート間コネクタのあるロケーションを示します。
(Page 4 G-4)	(アルファベットが水平方向、数字が垂直方向)

■ WARNING

Components having special characteristics are marked  and must be replaced with parts having specification equal to those originally installed.

■ 安全上の注意

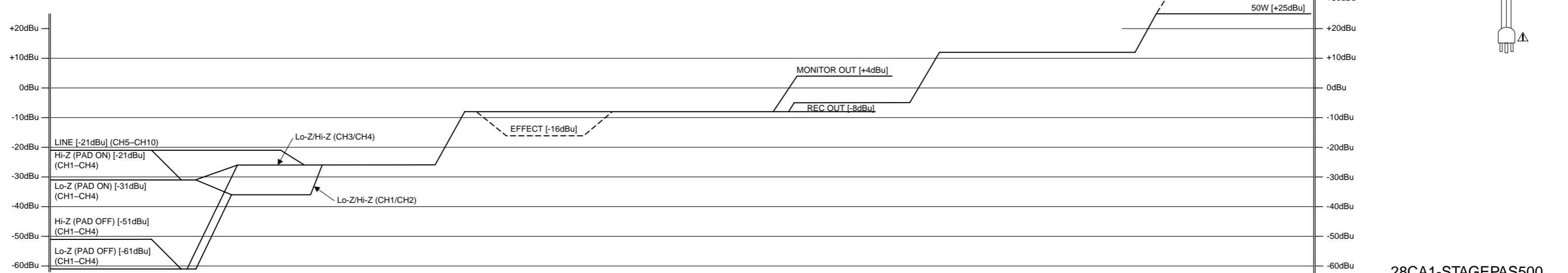
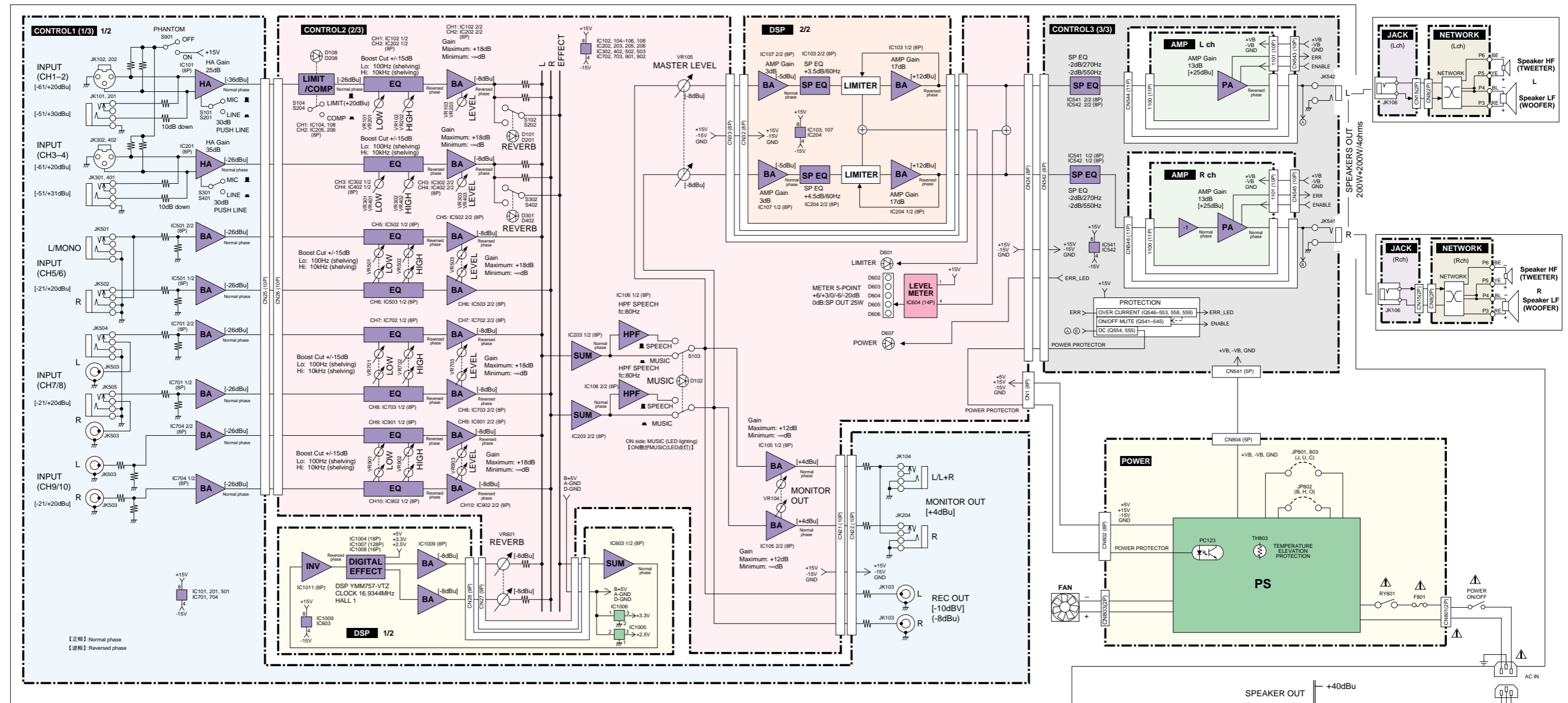
-  印の部品は、安全を維持するために重要な部品です。
交換する場合は、安全のために必ず指定の部品をご使用ください。

Note : See parts list for details of circuit board component parts.

注:シートの部品詳細は、パーツリストをご参照ください。

STAGEPAS 500 BLOCK DIAGRAM (ブロックダイアグラム)

STAGEPAS 500



WARNING
Components having special characteristics are marked Δ and must be replaced with parts having specification equal to those originally installed.

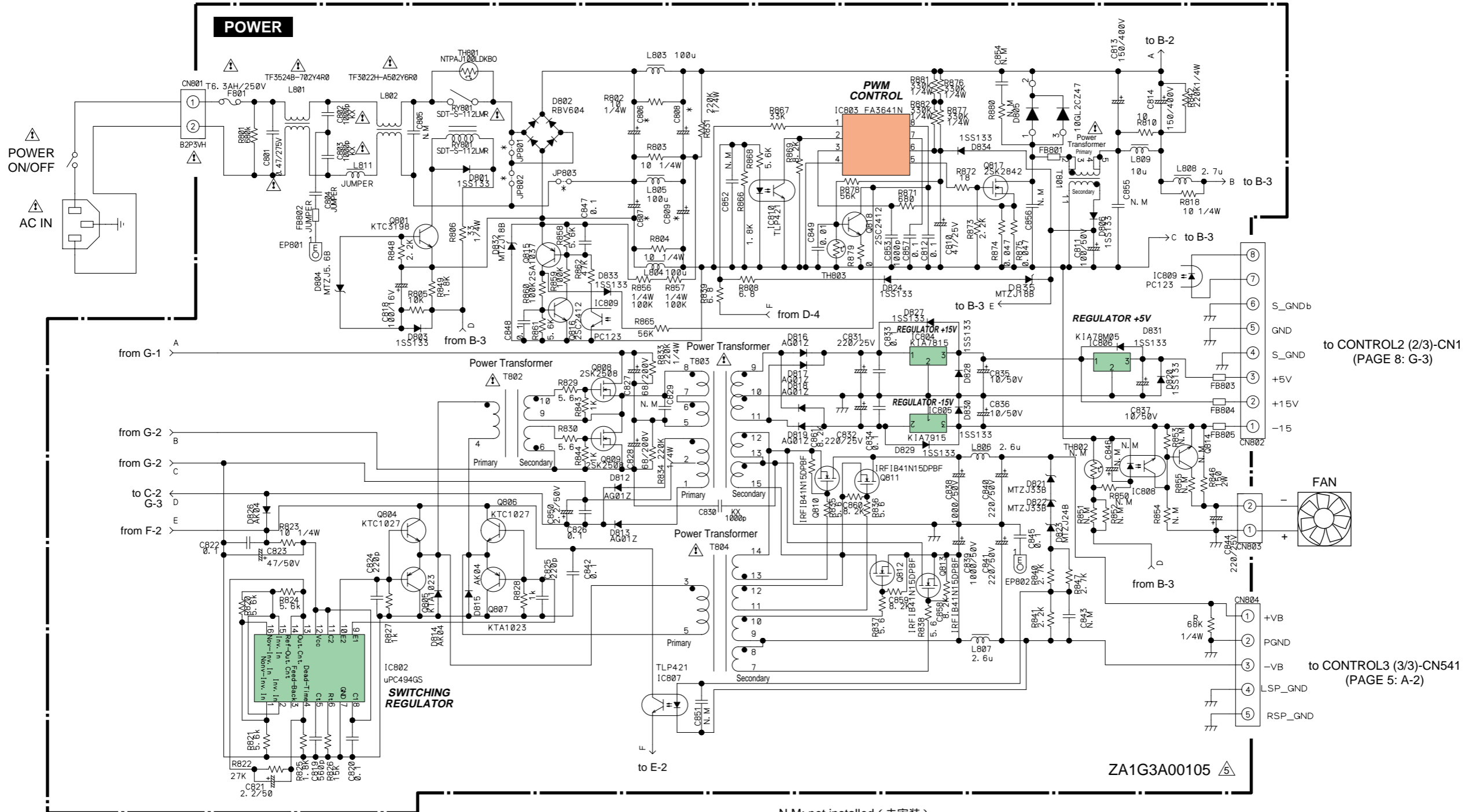
安全上の注意
 Δ 印の部品は、安全を維持するために重要な部品です。交換する場合は、安全のため必ず指定の部品をご使用ください。

STAGEPAS 500 BLOCK DIAGRAM (ブロックダイアグラム)

28CA1-STAGEPAS500

STAGEPAS 500 CIRCUIT DIAGRAM 1/9 (POWER)

STAGEPAS 500



N.M.: not installed (未実装)

Destination	AC Cord	JP801, 803	JP802	C806-809
J	WG261700	JUMPER	N.M	560u/200V
U, C	WG261800	JUMPER	N.M	560u/200V
B	WH221600	N.M	JUMPER	390u/200V
H	WG262000	N.M	JUMPER	390u/200V
O	AAX69560	N.M	JUMPER	390u/200V

N.M.: not installed (未実装) JUMPER: Jumper Wire (ジャンパー線)

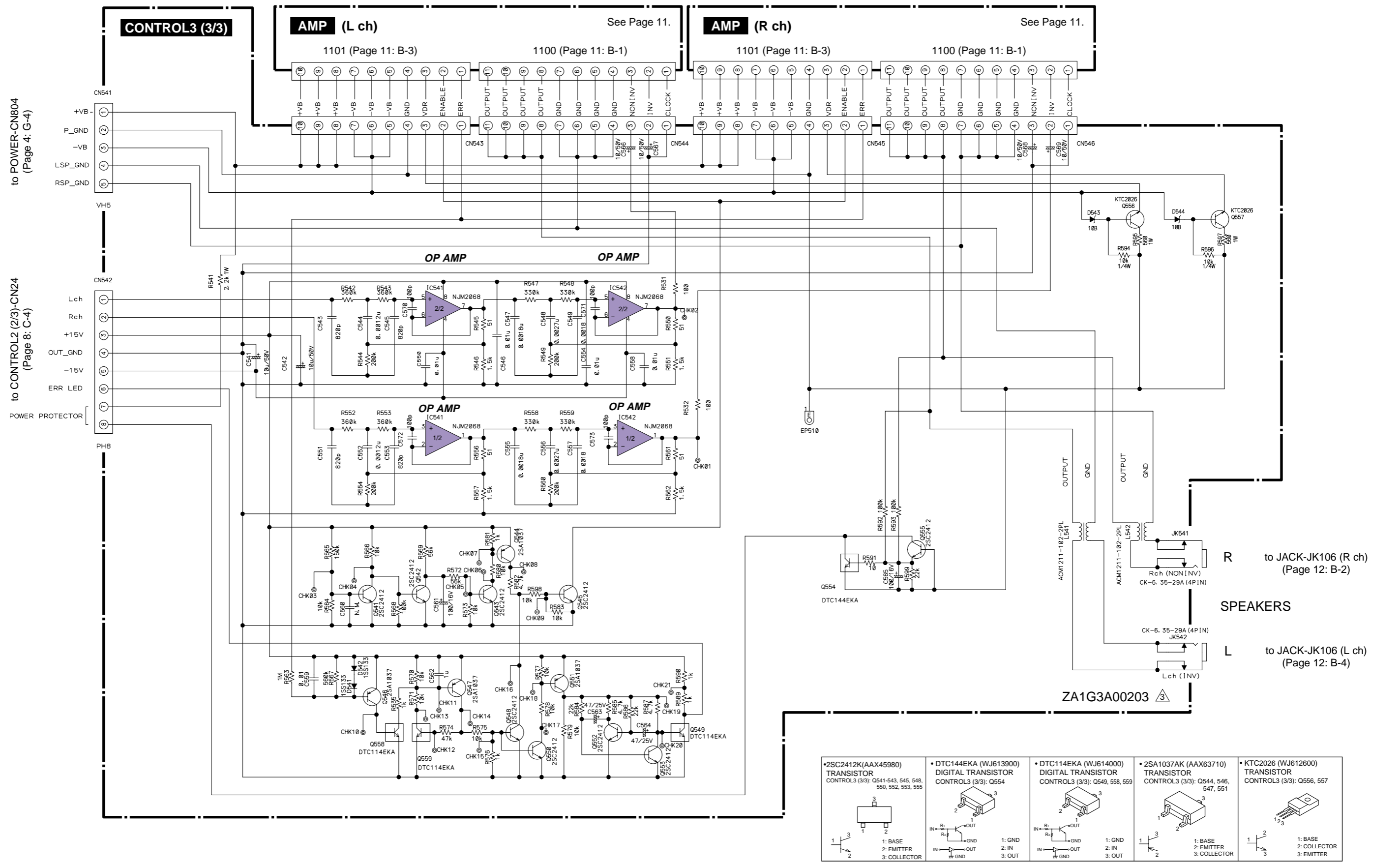
<p>• KIA7815API (AAX63640) REGULATOR +15V POWER: IC804</p> <p>1: INPUT 2: COMMON 3: OUTPUT</p>	<p>• KIA7915PI (AAX63660) REGULATOR -15V POWER: IC805</p> <p>1: INPUT 2: COMMON 3: OUTPUT</p>	<p>• KIA78M05PI (AAX63670) REGULATOR +5V POWER: IC806</p> <p>1: INPUT 2: COMMON 3: OUTPUT</p>	<p>• RBV-604 (WJ594700) DIODE STACK 6.0A 400V POWER: D802</p> <p>1: ANODE 2: ANODE 3: CATHODE</p>	<p>• 10GL2C247A (WJ594900) DIODE STACK 10A 400V POWER: D805</p> <p>1: ANODE 2: ANODE 3: CATHODE</p>	<p>• 2SC2412K(AAX45980) TRANSISTOR POWER: Q816, 818</p> <p>1: BASE 2: EMITTER 3: COLLECTOR</p>	<p>• 2SA1037AK (AAX63710) TRANSISTOR POWER: Q815</p> <p>1: BASE 2: EMITTER 3: COLLECTOR</p>	<p>• KTA1023 (WJ612000) TRANSISTOR POWER: Q805, 807</p> <p>1: EMITTER 2: COLLECTOR 3: BASE</p>	<p>• KTC3198 (WJ612400) TRANSISTOR POWER: Q801</p> <p>1: EMITTER 2: COLLECTOR 3: BASE</p>
<p>• KTC1027 (WJ612500) TRANSISTOR POWER: Q804, 806</p> <p>1: EMITTER 2: COLLECTOR 3: BASE</p>	<p>• 2SK2508 (WJ596200) FET POWER: Q808, 809</p> <p>1: GATE 2: DRAIN 3: SOURCE</p>	<p>• 2SK2842 (WJ596300) FET POWER: Q817</p> <p>1: GATE 2: DRAIN 3: SOURCE</p>	<p>• IRFB41N15DPBF (WJ596400) FET POWER: Q810-813</p> <p>1: GATE 2: DRAIN 3: SOURCE</p>					

WARNING
Components having special characteristics are marked and must be replaced with parts having specification equal to those originally installed.

安全上の注意
 印の部品は、安全を維持するために重要な部品です。交換する場合は、安全のために必ず指定の部品をご使用ください。

STAGEPAS 500 CIRCUIT DIAGRAM 1/9 (POWER)

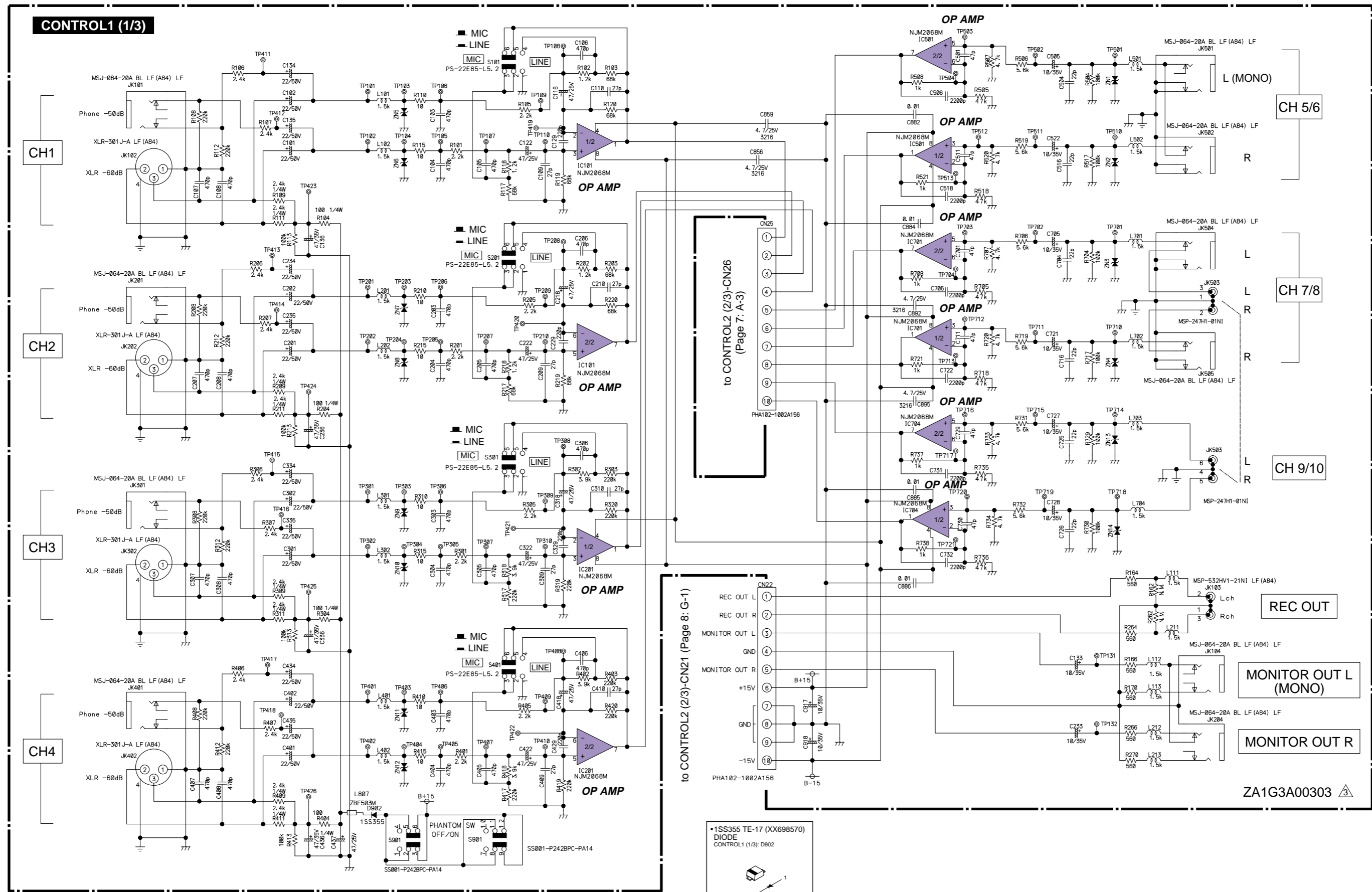
STAGEPAS 500 CIRCUIT DIAGRAM 2/9 (CONTROL3 (3/3))

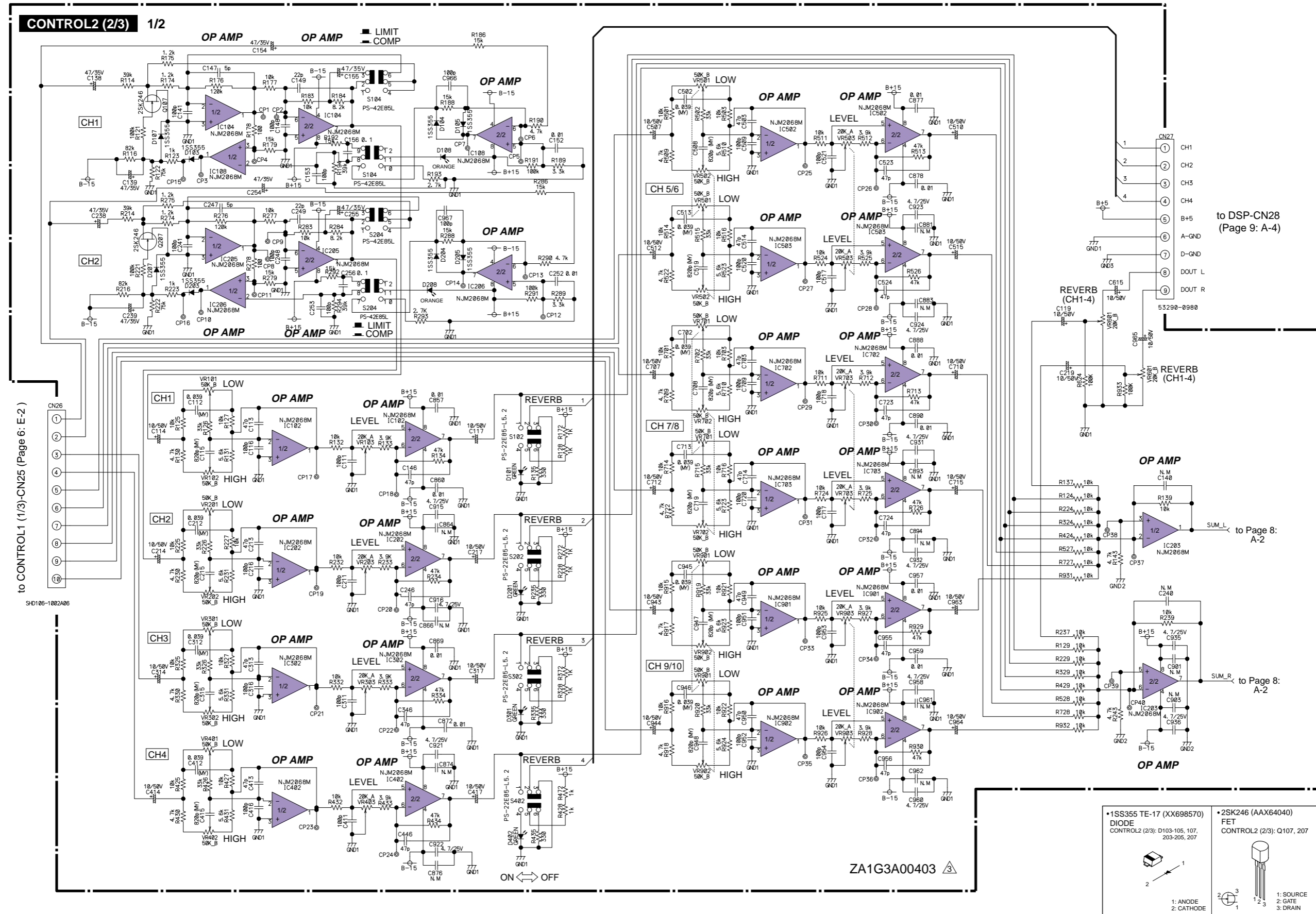


<p>• 2SC2412K(AAX45980) TRANSISTOR CONTROL3 (3/3): Q541-543, 545, 548, 550, 552, 553, 555</p>	<p>• DTC144EKA (WJ613900) DIGITAL TRANSISTOR CONTROL3 (3/3): Q554</p>	<p>• DTC114EKA (WJ614000) DIGITAL TRANSISTOR CONTROL3 (3/3): Q549, 558, 559</p>	<p>• 2SA1037AK (AAX63710) TRANSISTOR CONTROL3 (3/3): Q544, 546, 547, 551</p>	<p>• KTC2026 (WJ612600) TRANSISTOR CONTROL3 (3/3): Q556, 557</p>
---	---	---	--	--

N.M: not installed (未実装)

STAGEPAS 500 CIRCUIT DIAGRAM 3/9 (CONTROL1 (1/3))





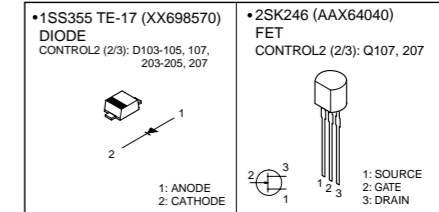
to CONTROL1 (1/3)-CN25 (Page 6: E-2)

SHD186-1002486

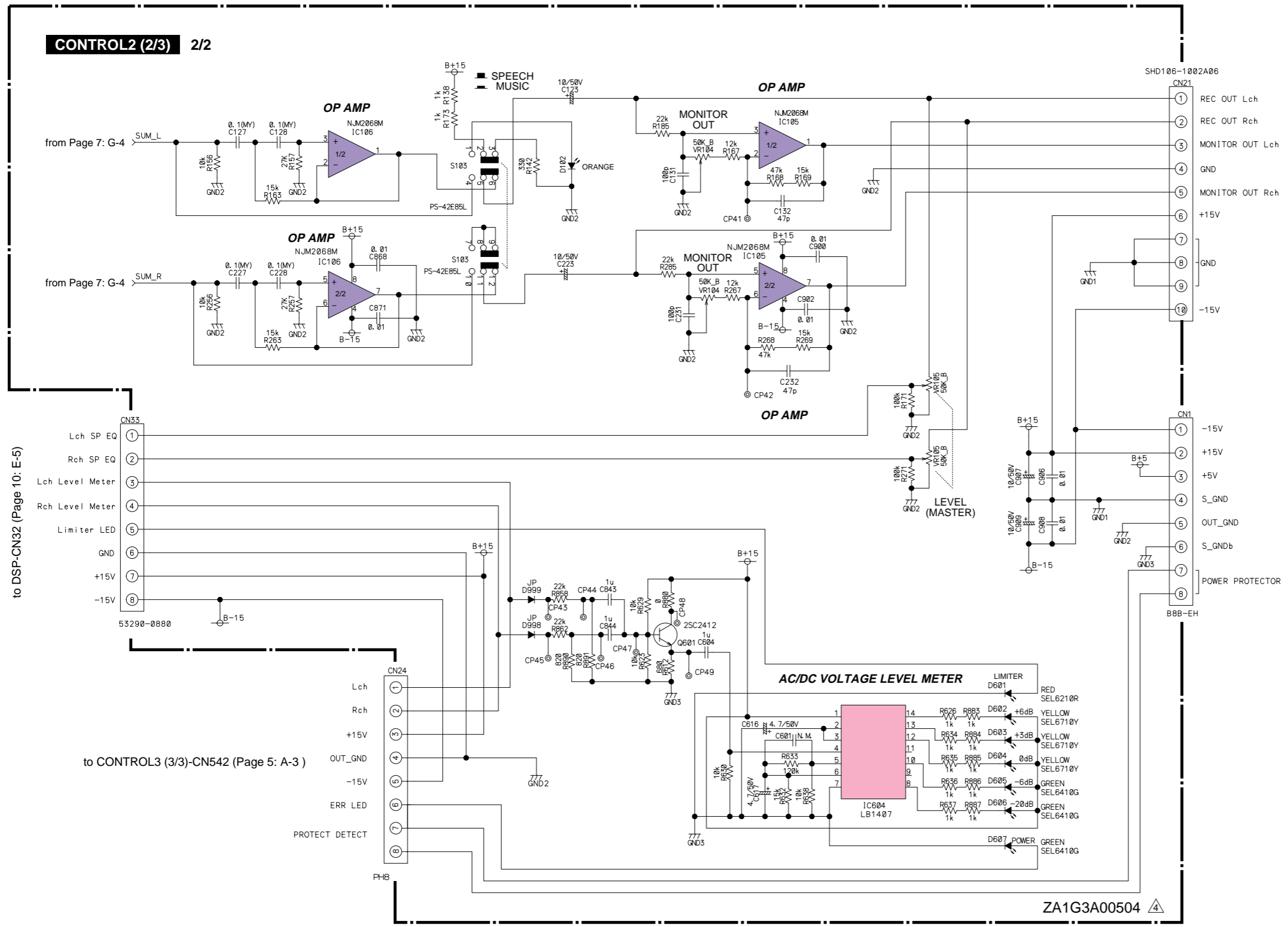
to DSP-CN28 (Page 9: A-4)

to Page 8: A-2

to Page 8: A-2



(MY): Mylar Capacitor (マイラーコンデンサー)
N.M.: not installed (未実装)

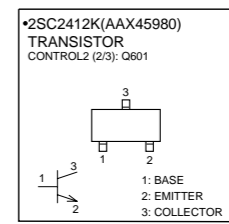


to CONTROL1 (1/3)-CN22 (Page 6: E-4)

to POWER-CN802 (Page 4: G-2)

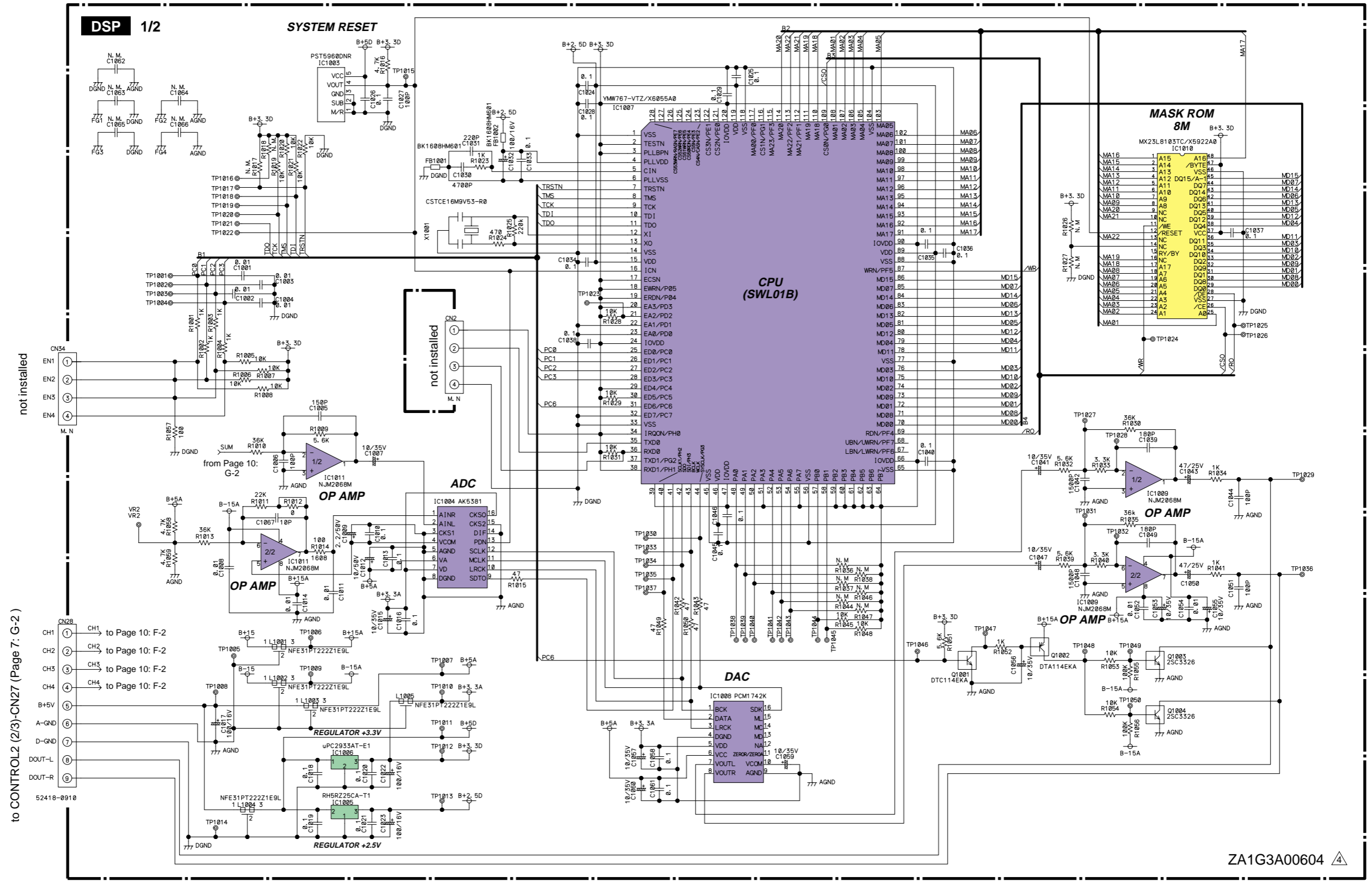
to DSP-CN32 (Page 10: E-5)

to CONTROL3 (3/3)-CN542 (Page 5: A-3)



(MY): Mylar Capacitor (マイラーコンデンサー)
N.M: not installed (未実装)

STAGEPAS 500 CIRCUIT DIAGRAM 6/9 (DSP 1/2)



not installed
to CONTROL2 (2/3)-CN27 (Page 7: G-2)
52418-0910

N.M.: not installed (未実装)

<ul style="list-style-type: none"> RH5RZ25CA-T1 (X8571A00) REGULATOR +2.5V DSP: IC1005 	<ul style="list-style-type: none"> uPC2933AT (X8572A00) REGULATOR +3.3V DSP: IC1006 	<ul style="list-style-type: none"> DTA114EKA (WJ613800) DIGITAL TRANSISTOR DSP: Q1002 	<ul style="list-style-type: none"> DTC114EKA (WJ614000) DIGITAL TRANSISTOR DSP: Q1001 	<ul style="list-style-type: none"> 2SC3326 (WJ612800) TRANSISTOR DSP: Q1003, 1004
---	--	--	--	--

STAGEPAS 500 CIRCUIT DIAGRAM 6/9 (DSP 1/2)

1

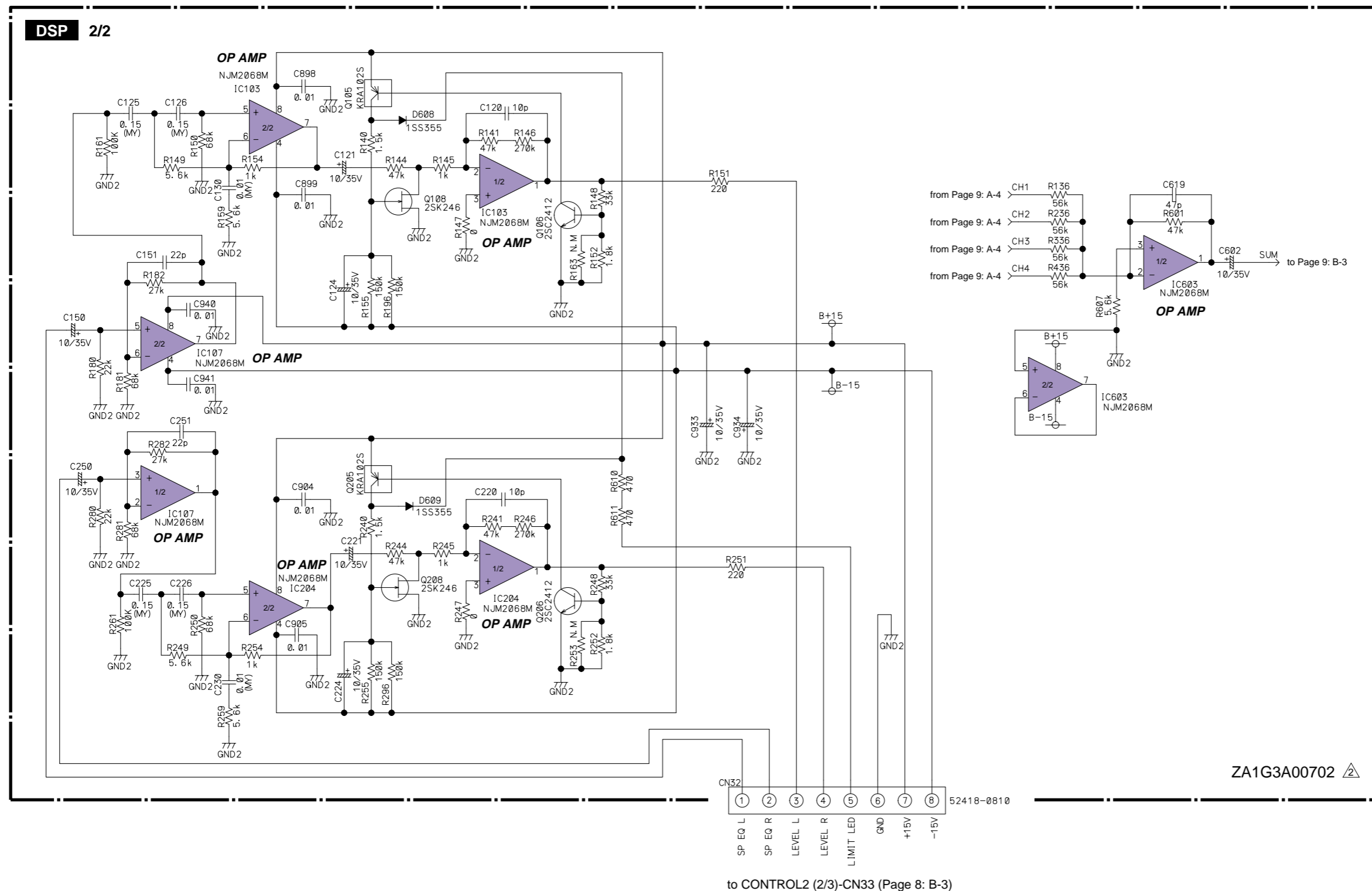
2

3

4

5

6



ZA1G3A00702

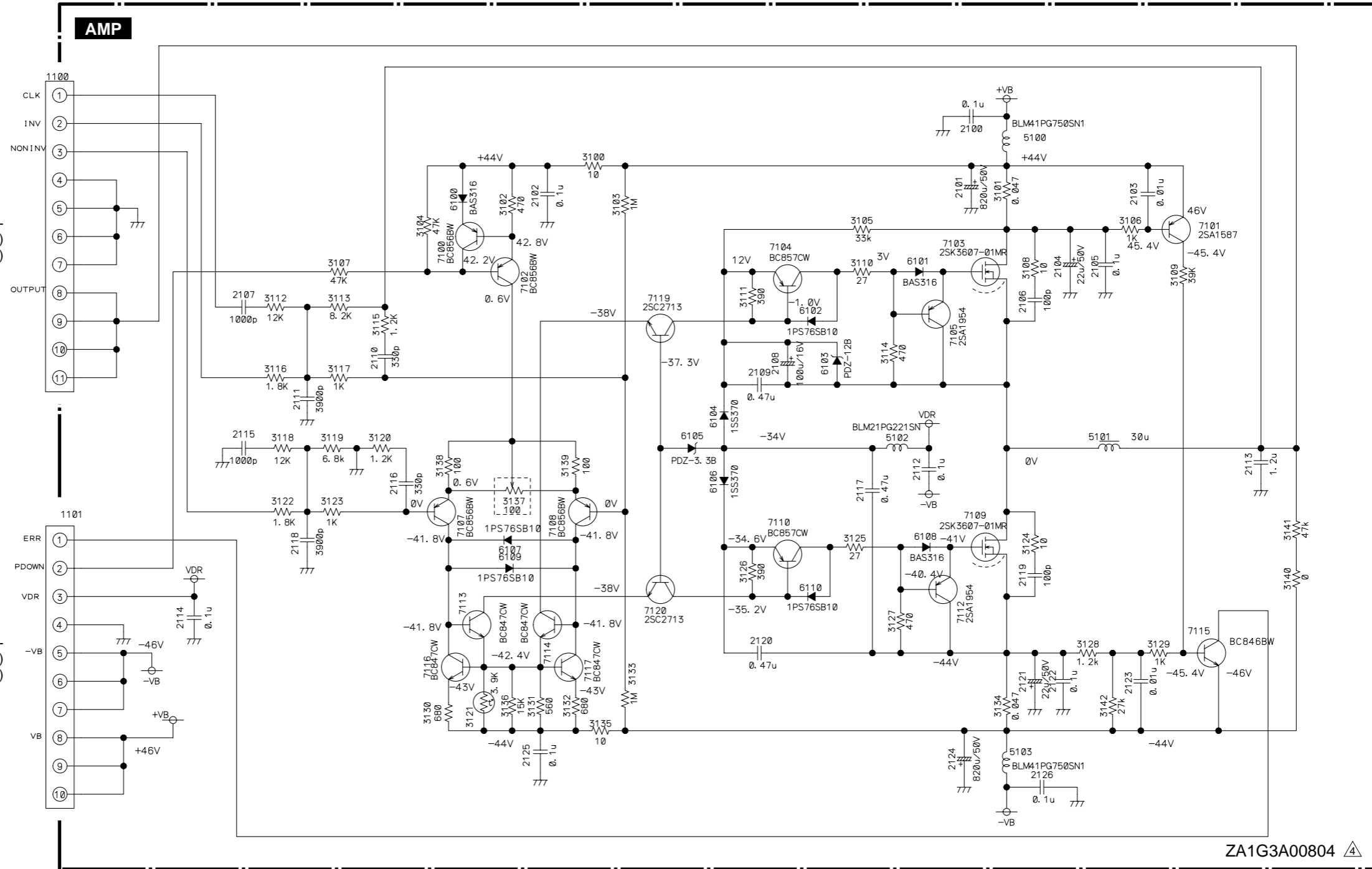
<p>•1SS355 TE-17 (XX698570) DIODE DSP: D608, 609</p> <p>1: ANODE 2: CATHODE</p>	<p>•2SK2412K(AAX45980) TRANSISTOR DSP: Q106, 206</p> <p>1: BASE 2: EMITTER 3: COLLECTOR</p>	<p>•KRA102S (AAX62770) TRANSISTOR DSP: Q105, 205</p> <p>1: COMMON (+) 2: IN 3: OUT</p>	<p>•2SK246 (AAX64040) FET DSP: Q108, 208</p> <p>1: SOURCE 2: GATE 3: DRAIN</p>
---	---	--	--

(MY): Mylar Capacitor (マイラーコンデンサー)
N.M: not installed (未実装)

STAGEPAS 500 CIRCUIT DIAGRAM 8/9 (AMP)

to CONTROL3 (3/3)-
CN544 (L ch) (Page 5: D-1)
CN546 (R ch) (Page 5: F-1)

to CONTROL3 (3/3)-
CN543 (L ch) (Page 5: C-1)
CN545 (R ch) (Page 5: E-1)



ZA1G3A00804

<p>•1PS76SB10 (WJ595000) DIODE AMP: 6102, 6107, 6109, 6110</p> <p>1: CATHODE 2: ANODE</p>	<p>•BAS316 (WJ595100) DIODE AMP: 6100, 6101, 6108</p> <p>1: CATHODE 2: ANODE</p>	<p>•1SS370 (WJ595400) DIODE AMP: 6104, 6106</p> <p>1: ANODE 2: N.C. 3: CATHODE</p>	<p>•PDZ-12B (WJ595200) ZENER DIODE AMP: 6103</p> <p>1: ANODE 2: CATHODE</p>	<p>•PDZ-3.3B (WJ595300) ZENER DIODE AMP: 6105</p> <p>1: ANODE 2: CATHODE</p>	<p>•2SA1587 (WJ612100) TRANSISTOR AMP: 7101</p> <p>1: BASE 2: EMITTER 3: COLLECTOR</p>	<p>•2SA1954 (WJ612200) TRANSISTOR AMP: 7105, 7112</p> <p>1: BASE 2: EMITTER 3: COLLECTOR</p>	<p>•2SC2713 (WJ612700) TRANSISTOR AMP: 7119, 7120</p> <p>1: BASE 2: EMITTER 3: COLLECTOR</p>	<p>•BC846BW (WJ612900) TRANSISTOR AMP: 7115</p> <p>1: BASE 2: EMITTER 3: COLLECTOR</p>
<p>•BC847CW (WJ613000) TRANSISTOR AMP: 7113, 7114, 7116, 7117</p> <p>1: BASE 2: EMITTER 3: COLLECTOR</p>	<p>•BC856BW (WJ613100) TRANSISTOR AMP: 7100, 7102, 7107, 7108</p> <p>1: BASE 2: EMITTER 3: COLLECTOR</p>	<p>•BC857CW (WJ613200) TRANSISTOR AMP: 7104, 7110</p> <p>1: BASE 2: EMITTER 3: COLLECTOR</p>	<p>•2SK3607-01MR (WJ596500) FET AMP: 7103, 7109</p> <p>1: GATE 2: EMITTER 3: SOURCE</p>					

STAGEPAS 500 CIRCUIT DIAGRAM 9/9 (JACK, NETWORK)

1

2

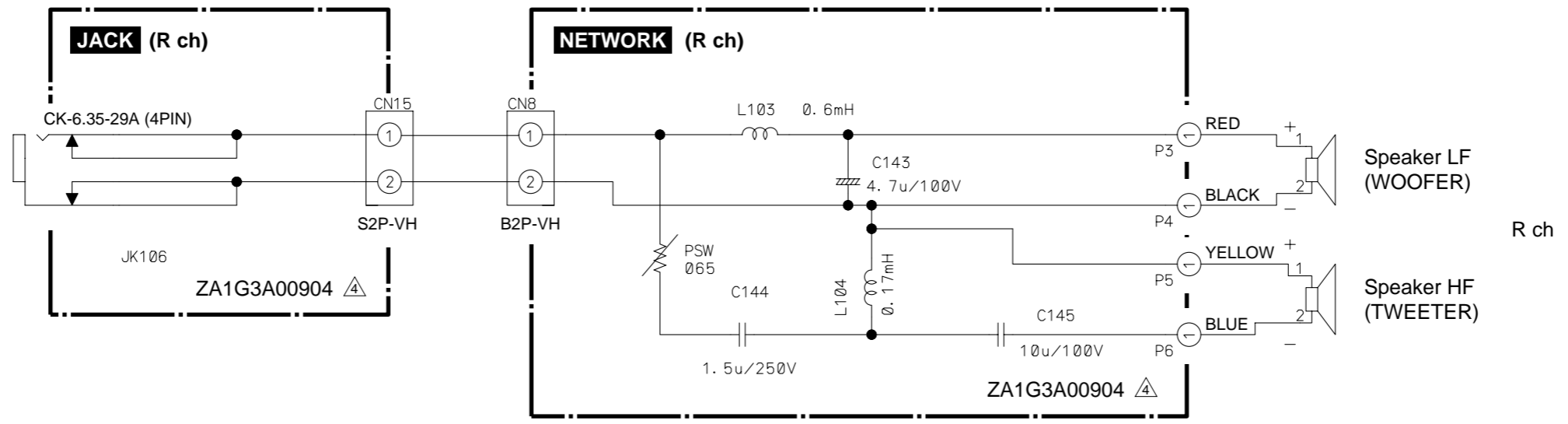
3

4

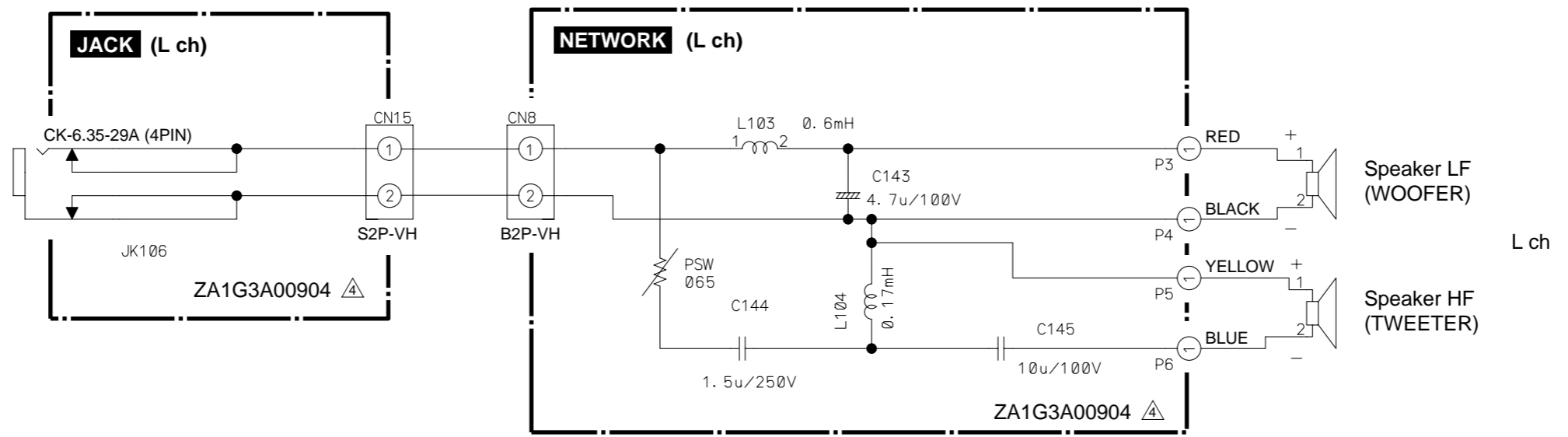
5

6

SPEAKER INPUT
to CONTROL3 (3/3)-JK541
(Page 5: G-4)



SPEAKER INPUT
to CONTROL3 (3/3)-JK542
(Page 5: G-4)



<http://320volt.com/>

[Elektronik](#) ve biraz daha fazlası