

ACOUSTIC EFFECTS PROCESSOR
BASS EFFECTS PROCESSOR
GUITAR EFFECTS PROCESSOR

Magicstomp

UB99A/UB99B/UB99MK2

SERVICE MANUAL



UB99A
ACOUSTIC EFFECTS PROCESSOR



UB99B
BASS EFFECTS PROCESSOR



UB99MK2
GUITAR EFFECTS PROCESSOR

■ CONTENTS (目次)

SPECIFICATIONS (総合仕様).....	3
PANEL LAYOUT (パネルレイアウト).....	4
BLOCK DIAGRAM (ブロックダイアグラム).....	5
CIRCUIT BOARD LAYOUT (ユニットレイアウト).....	6
DISASSEMBLY PROCEDURES (分解手順).....	6
LSI PIN DESCRIPTION (LSI 端子機能表).....	8
IC BLOCK DIAGRAM (IC ブロック図).....	11
CIRCUIT BOARD (シート基板図).....	12
INSPECTIONS / FACTORY SET (検査 / ファクトリーセット).....	14
BACKUP THE USER PATCH DATA (ユーザーパッチのバックアップ).....	25
ERROR MESSAGES (エラーメッセージ).....	26
PARTS LIST	
CIRCUIT DIAGRAM (回路図)	

IMPORTANT NOTICE

This manual has been provided for the use of authorized Yamaha Retailers and their service personnel. It has been assumed that basic service procedures inherent to the industry, and more specifically Yamaha Products, are already known and understood by the users, and have therefore not been restated.

WARNING : Failure to follow appropriate service and safety procedures when servicing this product may result in personal injury, destruction of expensive components and failure of the product to perform as specified. For these reasons, we advise all Yamaha product owners that all service required should be performed by an authorized Yamaha Retailer or the appointed service representative.

IMPORTANT : This presentation or sale of this manual to any individual or firm does not constitute authorization certification, recognition of any applicable technical capabilities, or establish a principal-agent relationship of any form.

The data provided is believed to be accurate and applicable to the unit(s) indicated on the cover. The research engineering, and service departments of Yamaha are continually striving to improve Yamaha products. Modifications are, therefore, inevitable and changes in specification are subject to change without notice or obligation to retrofit. Should any discrepancy appear to exist, please contact the distributor's Service Division.

WARNING : Static discharges can destroy expensive components. Discharge any static electricity your body may have accumulated by grounding yourself to the ground bus in the unit (heavy gauge black wires connect to this bus.)

IMPORTANT : Turn the unit OFF during disassembly and parts replacement. Recheck all work before you apply power to the unit.

WARNING: CHEMICAL CONTENT NOTICE!


The solder used in the production of this product contains LEAD. In addition, other electrical/electronic and/or plastic (Where applicable) components may also contain traces of chemicals found by the California Health and Welfare Agency (and possibly other entities) to cause cancer and/or birth defects or other reproductive harm.


DO NOT PLACE SOLDER, ELECTRICAL/ELECTRONIC OR PLASTIC COMPONENTS IN YOUR MOUTH FOR ANY REASON WHATSOEVER EVER!

Avoid prolonged, unprotected contact between solder and your skin! When soldering, do not inhale solder fumes or expose eyes to solder/flux vapor!

If you come in contact with solder or components located inside the enclosure of this product, wash your hands before handling food.

■ WARNING

Components having special characteristics are marked  and must be replaced with parts having specification equal to those originally installed.

 印の商品は、安全を維持するために重要な部品です。交換する場合は、安全のために必ず指定の部品をご使用ください。

■ SPECIFICATIONS (総合仕様)

Digital Section

- Digital signal processing effector
- Includes special editor application "Sound Editor for MAGICSTOMP"
- Patch Select: 2 Modes
- Built-in Chromatic Auto Tuner

Communications

Receive: Parameter Change, Bulk In (1 patch), Bulk In (99 patch)
Transmit: Bulk Out (99 patch)

Controller/Switch

Knob x4
CONTROL1, 2, 3, VOLUME

Push Switch x4
UB99A: -, +, AUTO F.R./ON/OFF, STORE/EXIT
UB99B/UB99MK2: -, +, ON/OFF, STORE/EXIT

Slide Switch x1
INPUT LEVEL (HIGH/LOW)

Display

16 x 2 character LCD (w/Back light)
LED x 3 (UB99A: -, +, AUTO F.R./ON/OFF)
(UB99B/UB99MK2: -, +, ON/OFF)

Connections

INPUT: Standard Monaural Phone Jack
OUTPUT L/MONO, R: Standard Monaural Phone Jack
PHONES: Mini Stereo Phone Jack
USB
AC IN

A/D Converter

24 bit + 3 bit Floating

D/A Converter 24 bit

Sampling Frequency 44.1 kHz

Memory Allocations Preset:99
User: 99

Input Level/Impedance

INPUT HIGH: -25dBm/1 MΩ
INPUT LOW : -15dBm/1 MΩ

Output Level/Impedance

OUTPUT L/MONO, R: 0dBm/1 kΩ
PHONES L, R: -10 dBm/150 Ω

Power

Exclusive Power Adaptor (AC-10)
AC Output: AC 12 V, 1 A

Power Consumption 12 W

Dimensions (W x H x D) 164 x 62 x 176 mm
(6-7/16" x 2-7/16" x 6-15/16")

Weight 910 g (2lbs.)

Accessories Power Adaptor (AC-10)
CD-ROM
USB Cable
Owner's Manual
Patch List
Effect List

デジタル部

- デジタルシグナルプロセッシング・エフェクター
- 専用エディターソフト "Sound Editor for MAGICSTOMP" 同梱
- パッチセレクト : 2 モード
- クロマチックオートチューナー内蔵

通信機能

受信 Parameter Change, Bulk In (1 patch), Bulk In (99 patch)
送信 Bulk Out (99 patch)

コントローラー / スイッチ

ボリューム×4
CONTROL1, 2, 3, VOLUME

プッシュスイッチ×4
UB99A: -, +, AUTO F.R./ON/OFF, STORE/EXIT
UB99B/UB99MK2: -, +, ON/OFF, STORE/EXIT

スライドスイッチ×1
INPUT LEVEL (HIGH/LOW)

ディスプレイ

16 × 2 character LCD (バックライト付き)
LED x 3 (UB99A: -, +, AUTO F.R./ON/OFF)
(UB99B/UB99MK2: -, +, ON/OFF)

接続端子

INPUT (標準フォンモノジャック)
OUTPUT L/MONO, R (標準フォンモノジャック)
PHONES (ミニステレオフォンジャック)
USB
AC IN

A/D コンバーター

24 ビット + 3 ビットフローティング

D/A コンバーター 24 ビット

サンプリング周波数 44.1 kHz

メモリー数 プリセット : 99
ユーザー : 99

入力レベル / インピーダンス

INPUT HIGH : -25dBm/1 MΩ
INPUT LOW : -15dBm/1 MΩ

出力レベル / インピーダンス

OUTPUT L/MONO, R : 0dBm/1 kΩ
PHONES L, R: -10 dBm/150 Ω

電源

専用電源アダプター (AC-10)
出力 : AC12V, 1000mA

消費電力 12 W

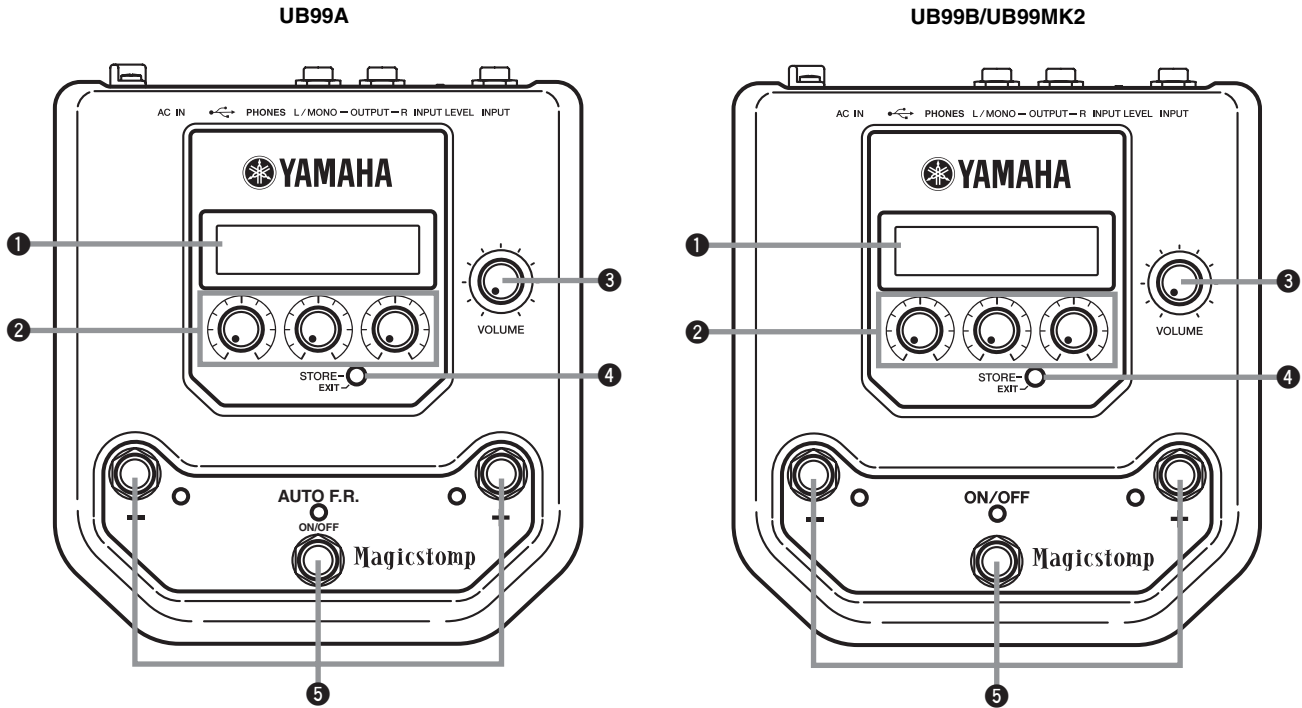
寸法 (W x H x D) 164 × 62 × 176 mm

重量 910 g

付属品 電源アダプター (AC-10)
CD-ROM
USB ケーブル
取扱説明書
パッチリスト
エフェクトリスト

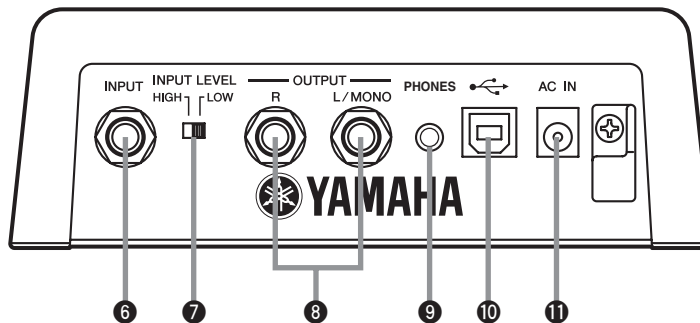
■ PANEL LAYOUT (パネルレイアウト)

• Top Panel (トップパネル)



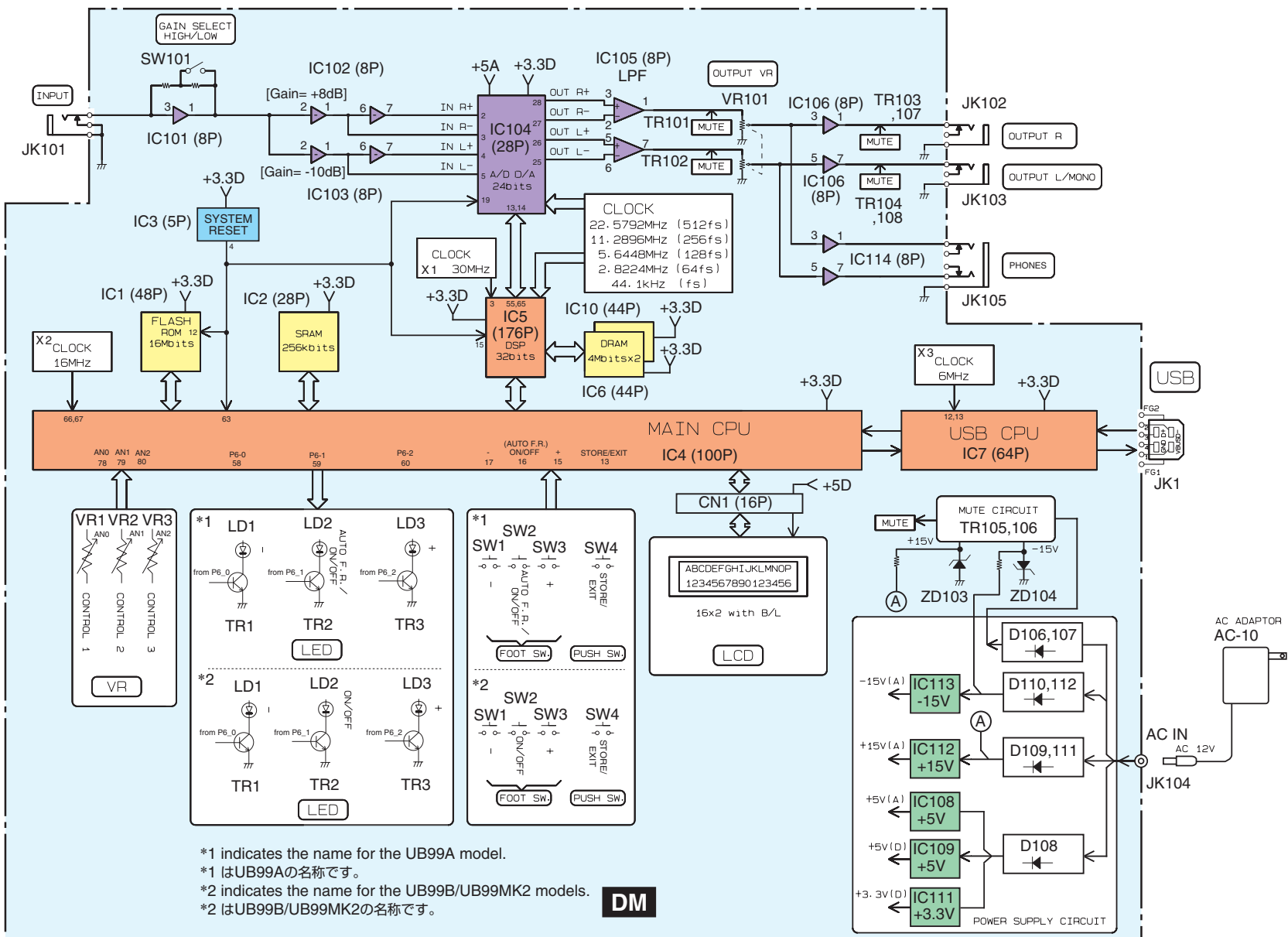
- ① Display (ディスプレイ)
- ② CONTROL Knobs (コントロールつまみ)
- ③ VOLUME Knob (ボリュームつまみ)
- ④ STORE/EXIT Button (ストア/イグジットボタン)
- ⑤ [UB99A] – Switch, + Switch, AUTO F.R./ON/OFF Switch (–スイッチ、+スイッチ、AUTO F.R./ON/OFF スイッチ)
[UB99B/UB99MK2] – Switch, + Switch, ON/OFF Switch (–スイッチ、+スイッチ、ON/OFF スイッチ)

• Rear Panel (リアパネル)



- ⑥ INPUT Jack (インプット端子)
- ⑦ INPUT LEVEL HIGH/LOW Switch (インプットレベル切替スイッチ)
- ⑧ OUTPUT L/MONO, R Jacks (アウトプット端子)
- ⑨ PHONES Jack (ヘッドフォン端子)
- ⑩ USB Jack (USB 端子)
- ⑪ AC IN Jack (Power Adaptor) (電源アダプター端子)

■ BLOCK DIAGRAM (ブロックダイアグラム)



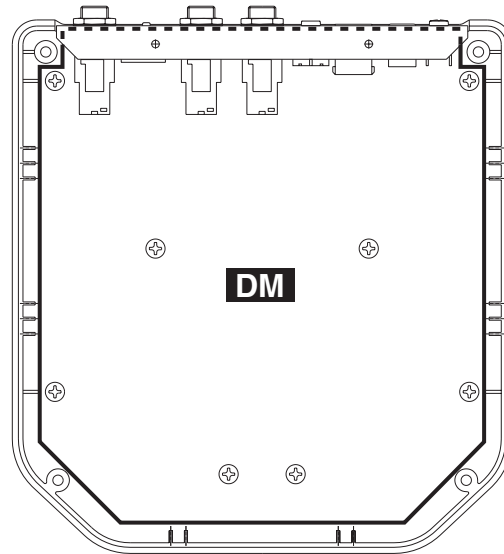
UB99A: DIC-00014
 UB99B: DIC-00022
 UB99MK2: DIC-00017

*1 indicates the name for the UB99A model.
 *1 はUB99Aの名称です。
 *2 indicates the name for the UB99B/UB99MK2 models.
 *2 はUB99B/UB99MK2の名称です。

DM

■ CIRCUIT BOARD LAYOUT (ユニットレイアウト)

• Bottom view



■ DISASSEMBLY PROCEDURES (分解手順)

1. Bottom Case

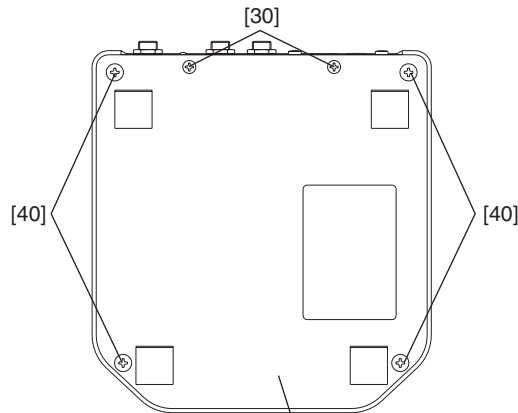
(Time required: about 1 minute)

- 1-1. Remove the four (4) screws marked [40] and the two (2) screws marked [30]. The bottom case can then be removed. (Fig.1)

1. ボトムケース (所要時間: 約 1 分)

- 1-1. [40]のネジ4本と[30]のネジ2本を外し、ボトムケースを外します。(図1)

• Bottom view



Bottom case (ボトムケース)

[30]: Bind Head Tapping Screw-B (+バインドBタイト) 3.0X8 MFZN2BL (EP600190)

[40]: Bind Head Tapping Screw-P (+バインドPタイト) 4.0X8 MFZN2BL (VB931600)

Fig.1 (図1)

2. Rear Panel (Time required: about 3 minutes)

- 2-1. Remove the bottom case. (See Procedure 1.) (Fig. 2)
- 2-2. Remove the screw marked [110], the three (3) hexagonal nuts marked [120] and the three (3) flat washers marked [130] from the rear panel. AC cord column and the rear panel can then be removed. (Fig. 2)

3. DM Circuit Board

(Time required: about 3 minutes)

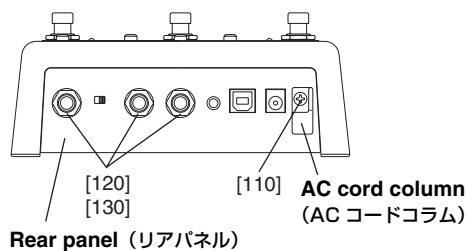
- 3-1. Remove the bottom case. (See Procedure 1.)
- 3-2. Remove the rear panel. (See Procedure 2.)
- 3-3. Remove the four (4) knobs from the front panel.
- 3-4. Remove the eight (8) screws marked [90]. The DM circuit board can then be removed. (Fig. 2)

4. Foot Switch (Time required: about 3 minutes)

- 4-1. Remove the bottom case. (See Procedure 1.)
- 4-2. Remove the rear panel. (See Procedure 2.)
- 4-3. Remove the DM circuit board. (See Procedure 3.)
- 4-4. Remove the hexagonal nut of the foot switch. The foot switch can then be removed. (Fig.2, Photo. 1)

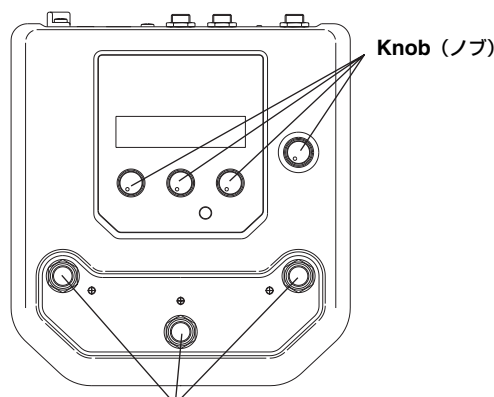
* Be sure to fit the projection of the foot switch panel to the groove of the foot switch when attaching the foot switches.

• Rear view



Rear panel (リアパネル)

• Top view



Foot switch (フットスイッチ)
Hexagonal nut (特殊六角ナット)

2. リアパネル (所要時間: 約 3 分)

- 2-1. ボトムケースを外します。(1 項参照)
- 2-2. リアパネル面より [110] のネジ 1 本と [120] の特殊六角ナット 3 個、[130] の特殊平座金 3 個を外し、AC コードコラムとリアパネルを外します。(図 2)

3. DM シート

(所要時間: 約 3 分)

- 3-1. ボトムケースを外します。(1 項参照)
- 3-2. リアパネルを外します。(2 項参照)
- 3-3. フロントパネルのノブを 4 個外します。(図 2)
- 3-4. [90] のネジ 8 本を外し、DM シートを外します。(図 2)

4. フットスイッチ (所要時間: 約 3 分)

- 4-1. ボトムケースを外します。(1 項参照)
- 4-2. リアパネルを外します。(2 項参照)
- 4-3. DM シートを外します。(3 項参照)
- 4-4. フットスイッチの特殊六角ナットを外し、フットスイッチを外します。(図 2、写真 1)

※ フットスイッチを取り付けるときは、フットスイッチパネルの突起をフットスイッチの溝にあわせて取り付けてください。

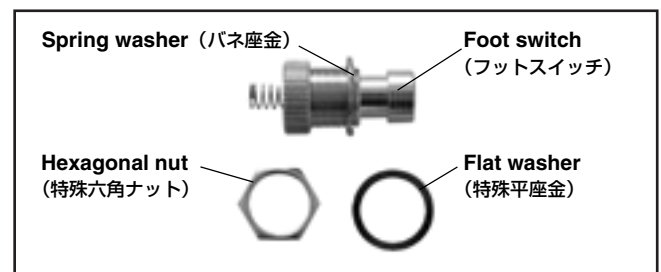
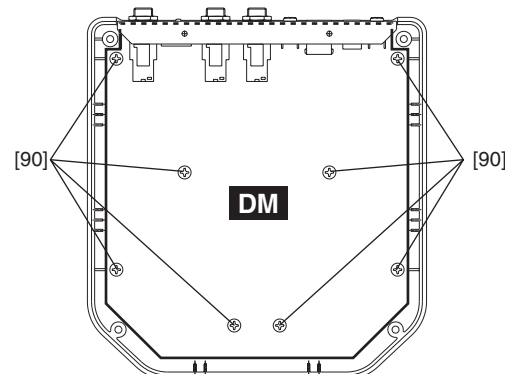


Photo. 1 (写真 1)

• Bottom view



[90]: Bind Head Tapping Screw-P (+ バインド P タイト) 3.0X8 MFZN2BL (EP630220)

[110]: Bind Head Screw (+ バインド小ネジ) 3.0X8 MFZN2BL (VA295800)

[120]: Hexagonal Nut (特殊六角ナット) 9.0 12X2 MFNI33 (LX200060)

[130]: Flat Washer (特殊平座金) 9.0X14X0.5 MFNI33 (VL802300)

Fig.2 (図 2)

LSI PIN DESCRIPTION (LSI 端子機能表)

• HD6413008VF25 (X4196A00) CPU (MAIN)

DM: IC4

PIN NO.	NAME	I/O	FUNCTION	PIN NO.	NAME	I/O	FUNCTION
1	Vcc	-	Analog power supply +3.3V	51	P26/A14	I/O	Port 2 / Address bus
2	$\overline{CS7}/TMO_0/TP_9/PB_0$	I/O	Chip select / / Port B	52	P27/A15	I/O	
3	$\overline{CS8}/TMO_1/TP_9/PB_1$	I/O		53	P50/A16	I/O	Port 5 / Address bus
4	$\overline{CS5}/TMO_2/TP_{10}/PB_2$	I/O		54	P51/A17	I/O	
5	$\overline{CS4}/TMO_3/TP_{11}/PB_3$	I/O		55	P52/A18	I/O	
6	TP ₁₂ /PB ₄	I/O	Pulse output / Port B	56	P53/A19	I/O	Ground
7	TP ₁₃ /PB ₅	I/O		57	Vss	-	
8	TP ₁₄ /PB ₆	I/O		58	P60/ \overline{WAIT}	I/O	
9	TP ₁₅ /PB ₇	I/O	59	P61/ \overline{BREQ}	I/O		
10	\overline{RESO}	O	Reset	60	P62/ \overline{BACK}	I/O	Port 6 / System clock output
11	Vss	-	Ground	61	P67/ ϕ	I/O	
12	TxD ₀ /P9 ₀	I/O	Data transmission / Port 9	62	\overline{STBY}	I	Stand-by mode signal
13	TxD ₁ /P9 ₁	I/O		63	\overline{RES}	I	Reset
14	RxD ₀ /P9 ₂	I/O	Data reception / Port 9	64	NMI	I	Non-maskable interrupt
15	RxD ₁ /P9 ₃	I/O		65	Vss	-	Ground
16	$\overline{IRQ4}/SCK_0/P9_4$	I/O	Interrupt request / Serial clock / Port 9	66	EXTAL	I	Clock
17	$\overline{IRQ5}/SCK_1/P9_5$	I/O		67	XTAL	O	Clock
18	D ₀ /P4 ₀	I/O	Data bus / Port 4	68	Vcc	-	Power supply +3.3V
19	D ₁ /P4 ₁	I/O		69	P63/ \overline{AS}	O	Port 6
20	D ₂ /P4 ₂	I/O		70	P64/ \overline{RD}	O	
21	D ₃ /P4 ₃	I/O		71	P65/ \overline{HWR}	O	
22	Vss	-	Ground	72	P66/ \overline{LWR}	O	Model control
23	D ₄ /P4 ₄	I/O	Data bus / Port 4	73	MD ₀	I	
24	D ₅ /P4 ₅	I/O		74	MD ₁	I	
25	D ₆ /P4 ₆	I/O		75	MD ₂	I	
26	P4 ₇ /D ₇	I/O	Port 4 / Data bus	76	AVcc	-	Power supply +3.3V for A/D
27	P3 ₀ /D ₈	I/O	Port 3 / Data bus	77	VREF	I	Reference voltage for A/D
28	P3 ₁ /D ₉	I/O		78	AN ₀ /P7 ₀	I	Analog input / Port 7
29	P3 ₂ /D ₁₀	I/O		79	AN ₁ /P7 ₁	I	
30	P3 ₃ /D ₁₁	I/O		80	AN ₂ /P7 ₂	I	
31	P3 ₄ /D ₁₂	I/O		81	AN ₃ /P7 ₃	I	
32	P3 ₅ /D ₁₃	I/O		82	AN ₄ /P7 ₄	I	
33	P3 ₆ /D ₁₄	I/O		83	AN ₅ /P7 ₅	I	
34	P3 ₇ /D ₁₅	I/O	84	DA ₀ /AN ₆ /P7 ₆	I/O	D/A output / Analog input / Port 7	
35	Vcc	-	Analog power supply +3.3V	85	DA ₁ /AN ₇ /P7 ₇		I/O
36	P1 ₀ /A ₀	I/O	Port 1 / Address bus	86	AVss	-	Ground for A/D
37	P1 ₁ /A ₁	I/O		87	$\overline{IRQ0}/P8_0$	O	Interrupt request / Port 8
38	P1 ₂ /A ₂	I/O		88	$\overline{CS3}/\overline{IRQ1}/P8_1$	I/O	Chip select / Interrupt request / Port 8
39	P1 ₃ /A ₃	I/O		89	$\overline{CS2}/\overline{IRQ2}/P8_2$	I/O	
40	P1 ₄ /A ₄	I/O		90	$\overline{ADTRG}/\overline{CS1}/\overline{IRQ3}/P8_3$	I/O	A/D trigger / Chip select / Interrupt request / Port 8
41	P1 ₅ /A ₅	I/O		91	$\overline{CS0}/P8_4$	I/O	Chip select / Port 8
42	P1 ₆ /A ₆	I/O		92	Vss	-	Ground
43	P1 ₇ /A ₇	I/O	Ground	93	TCLKA/TP ₀ /PA ₀	I/O	Timer clock / Pulse output / Port A
44	Vss	-		94	TCLKB/TP ₁ /PA ₁	I/O	
45	P2 ₀ /A ₈	I/O	Port 2 / Address bus	95	TCLKC/TIOCA ₀ /TP ₂ /PA ₂	I/O	Timer clock / Output comparison / Pulse output / Port A
46	P2 ₁ /A ₉	I/O		96	TCLKD/TIOCB ₀ /TP ₃ /PA ₃	I/O	Timer clock / Input capture / Pulse output / Port A
47	P2 ₂ /A ₁₀	I/O		97	A ₂₃ /TIOCA ₁ /TP ₄ /PA ₄	I/O	Address bus / Output comparison / Pulse output / Port A
48	P2 ₃ /A ₁₁	I/O		98	A ₂₂ /TIOCB ₁ /TP ₅ /PA ₅	I/O	Address bus / Input capture / Pulse output / Port A
49	P2 ₄ /A ₁₂	I/O		99	A ₂₁ /TIOCA ₂ /TP ₆ /PA ₆	I/O	Address bus / Output comparison / Pulse output / Port A
50	P2 ₅ /A ₁₃	I/O		100	A ₂₀ /TIOCB ₂ /TP ₇ /PA ₇	I/O	Address bus / Input capture / Pulse output / Port A

• **M38K07M4L-303HP (X3921200) CPU (USB)**

DM: IC7

PIN NO.	NAME	I/O	FUNCTION	PIN NO.	NAME	I/O	FUNCTION
1	P12/DQ2/AN2	I/O	Port P1 (In/output)	33	P26	I/O	Port P2 (In/output)
2	P13/DQ3/AN3	I/O		34	P27	I/O	
3	P14/DQ4/AN4	I/O		35	P50/INT0	I/O	Port P5 (In/output)/Interruption input
4	P15/DQ5/AN5	I/O		36	P51/CNTR0	I/O	Port P5 (In/output)/Timer X function
5	P16/DQ6/AN6	I/O		37	P52/INT1	I/O	Port P5 (In/output)/Interruption input
6	P17/DQ7/AN7	I/O		38	P53	I/O	Port P5 (In/output)
7	CNVSS	-		39	P54	I/O	
8	RESET	I	40	P55	I/O		
9	EccE	-	41	P56	I/O		
10	VREF	I	42	P57	I/O		
11	VSS	-	43	P00	I/O	Port P0 (In/output)	
12	XIN	I	44	P01	I/O		
13	XOUT	O	45	P02	I/O		
14	VCC	-	46	P03	I/O		
15	CNVSS2	-	47	P04	I/O		
16	P60(LED0)	I/O	48	P05	I/O		
17	P61(LED1)	I/O	49	P06	I/O		
18	P62(LED2)	I/O	50	P07	I/O		
19	P63(LED3)	I/O	51	P40/EXDREQ/RXD	I/O	Port P4 (In/output)/External bus interface/Serial I/O	
20	PVSS	-	52	P41/EXDACK/TXD	I/O		
21	PVCC	-	53	P42/EXTC/CLK	I/O		
22	DVCC	-	54	P43/EXA1/SRDY	I/O		
23	USBVREF	-	55	P30	I/O	Port P3 (In/output)	
24	TrON	O	56	P31	I/O		
25	D0+	I/O	57	P32	I/O		
26	D0-	I/O	58	P33/EXINT	I/O	Port P3 (In/output)/External bus interface	
27	P20	I/O	59	P34/EXCS	I/O		
28	P21	I/O	60	P35/EXWR	I/O		
29	P22	I/O	61	P36/EXRD	I/O		
30	P23	I/O	62	P37/EXA0	I/O		
31	P24	I/O	63	P10/DQ0/AN0	I/O		Port P1 (In/output)
32	P25	I/O	64	P11/DQ1/AN1	I/O		

• **AK4528VF (XY624A00) ADC/DAC (CMOS A/D & D/A Converter)**

DM: IC104

PIN NO.	NAME	I/O	FUNCTION	PIN NO.	NAME	I/O	FUNCTION
1	VCOM	O	Common voltage output , VA/2	15	CKS0	I	Master clock select
2	AINR+	I	Rch analog positive input	16	CKS1	I	
3	AINR-	I	Rch analog negative input	17	DIF	I	Digital audio interface select
4	AINL+	I	Lch analog positive input	18	DFS	I	Double speed sampling mode
5	AINL-	I	Lch analog negative input	19	PDN	I	Power-down mode
6	VREF	I	Reference voltage	20	DEMO	I	De-emphasis frequency select
7	AGND	-	Analog ground +3.3V	21	DEM1	I	
8	VA	-	Analog power supply	22	VT	-	Output buffer power supply
9	P/S	I	Paralle/serial mode select	23	VD	-	Digital power supply
10	MCLK	I	Master clock input	24	DGND	-	Digital ground
11	LRCK	I	Input/output channel clock	25	AOUTL-	O	Lch analog negative output
12	BICK	I	Audio serial data clock	26	AOUTL+	O	Lch analog positive output
13	SDTO	O	Audio serial data output	27	AOUTR-	O	Rch analog negative output
14	SDTI	I	Audio serial data input	28	AOUTR+	O	Rch analog positive output

• YSS910-V (XV988B00) DSP6 (Digital Signal Processor)

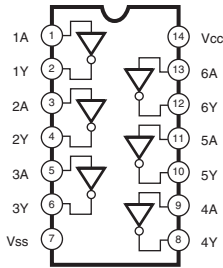
DM: IC5

PIN NO.	NAME	I/O	FUNCTION	PIN NO.	NAME	I/O	FUNCTION		
1	Vdd	-	Power supply (3.3 V)	89	Vss	-	Ground		
2	Vss	-	Ground	90	DB13	I/O	Parallel data bus		
3	XI	I	System master clock input (60 MHz or 30 MHz)	91	DB14	I/O			
4	XO	O	System master clock output (High or 30 MHz)	92	DB15	I/O			
5	Vdd5	-	Power supply (5 V)	93	DB16	I/O			
6	/SYNCl	I	System sync. signal input	94	DB17	I/O			
7	/SYNCO	O	System sync. signal output	95	DB18	I/O			
8	Vdd5	-	Power supply (5 V)	96	DB19	I/O			
9	CKI	I	System clock input (30 MHz)	97	DB20	I/O			
10	CKO	O	System clock output (30 MHz)	98	DB21	I/O			
11	CKSEL	I	System master clock select (0: 60 MHz, 1: 30 MHz)	99	DB22	I/O			
12	Vss	-	Ground	100	Vss	-	Ground		
13	MCKS	I	Serial I/O master clock input (128 x Fs)	101	Vdd	-	Power supply (3.3 V)		
14	/SSYNCl	I	Serial I/O Sync. signal input	102	DB23	I/O	Parallel data bus		
15	/IC	I	Initial clear (RESET)	103	DB24	I/O			
16	/TEST	I	Test mode setting (0: Test, 1: Normal)	104	DB25	I/O			
17	BTYP	I	Data bus type select (0: 8 bit, 1: 16 bit)	105	DB26	I/O			
18	/IRQ	O	IRQ output	106	DB27	I/O			
19	TRIG	I/O	Trigger signal input/output	107	DB28	I/O			
20	Vdd5	-	Power supply (5 V)	108	DB29	I/O			
21	Vss	-	Ground	109	DB30	I/O			
22	/CS	I	Chip select signal input	110	DB31	I/O			
23	/WR	I	Write signal input	111	TIMO/DBOB	I/O		Timing signal output/ Parallel data bus output control input	
24	/RD	I	Read signal input	112	Vss	-	Ground		
25	CA7	I	Address bus of internal register	113	Vdd5	-	Power supply (5 V)		
26	CA6	I			114	DA00	I/O	Memory data bus	
27	CA5	I			115	DA01	I/O		
28	CA4	I			116	DA02	I/O		
29	CA3	I			117	DA03	I/O		
30	CA2	I			118	DA04	I/O		
31	CA1	I			119	DA05	I/O		
32	Vss	-	Ground	120	DA06	I/O	Memory data bus		
33	Vdd	-	Power supply (3.3 V)	121	DA07	I/O			
34	CD15	I/O	Data bus of internal register	122	Vss	-		Ground	
35	CD14	I/O			123	DA08		I/O	Memory data bus
36	CD13	I/O			124	DA09		I/O	
37	CD12	I/O			125	DA10		I/O	
38	CD11	I/O			126	DA11		I/O	
39	CD10	I/O			127	DA12	I/O		
40	CD09	I/O			128	DA13	I/O		
41	CD08	I/O			129	DA14	I/O		
42	CD07	I/O			130	DA15	I/O		
43	CD06	I/O			131	Vss	-	Ground	
44	Vss	-	Ground	132	Vdd	-	Power supply (3.3 V)		
45	Vdd	-	Power supply (3.3 V)	133	(n.c)	-	Not used		
46	Vdd5	-	Power supply (5 V)	134	Vdd5	-	Power supply (5 V)		
47	CD05	I/O	Data bus of internal register	135	DA16	I/O	Memory data bus		
48	CD04	I/O			136	DA17		I/O	
49	CD03	I/O			137	DA18		I/O	
50	CD02	I/O			138	DA19		I/O	
51	CD01	I/O			139	DA20		I/O	
52	CD00	I/O			140	DA21		I/O	
53	/WAIT	O		WAIT output	141	DA22		I/O	Memory data bus
54	Vss	-	Ground	142	DA23	I/O			
55	SI0	I	Serial data input	143	Vss	-	Ground		
56	SI1	I			144	DA24	I/O	Memory data bus	
57	SI2	I			145	DA25	I/O		
58	SI3	I			146	DA26	I/O		
59	SI4	I			147	DA27	I/O		
60	SI5	I			148	DA28	I/O		
61	SI6	I			149	DA29	I/O		
62	SI7	I		150	DA30	I/O			
63	Vss	-	Ground	151	DA31	I/O	Memory data bus		
64	Vdd5	-	Power supply (5 V)	152	Vdd5	-		Power supply (5 V)	
65	SO0	O	Serial data output	153	Vss	-		Ground	
66	SO1	O			154	A00		O	Memory address (SRAM, PSRAM, DRAM)
67	SO2	O			155	A01		O	
68	SO3	O			156	A02		O	
69	SO4	O			157	A03		O	
70	SO5	O			158	A04	O		
71	SO6	O			159	A05	O		
72	SO7	O		160	A06	O			
73	Vss	-	Ground	161	A07	O	Memory address (SRAM, PSRAM)		
74	DB00	I/O	Parallel data bus	162	A08	O			
75	DB01	I/O			163	A09		O	
76	DB02	I/O			164	Vss		-	Ground
77	DB03	I/O			165	Vdd		-	Power supply (3.3 V)
78	DB04	I/O			166	A10		O	Memory address (SRAM, PSRAM, DRAM)
79	DB05	I/O			167	A11		O	
80	DB06	I/O			168	A12	O	Memory address (SRAM, PSRAM)	
81	DB07	I/O			169	A13	O		
82	DB08	I/O			170	A14	O		
83	DB09	I/O			171	A15/RAS	O		Memory address (SRAM, PSRAM), /RAS (DRAM)
84	DB10	I/O		172	A16/CAS	O	Memory address (SRAM, PSRAM), /CAS (DRAM)		
85	DB11	I/O		173	A17/CE	O	Memory address (SRAM), /CE (PSRAM)		
86	DB12	I/O		174	/WE	O	Memory write enable signal		
87	Vdd5	-	Power supply (5 V)	175	/OE	O	Memory output enable signal		
88	Vdd	-	Power supply (3.3 V)	176	Vdd5	-	Power supply (5 V)		

■ IC BLOCK DIAGRAM (IC ブロック図)

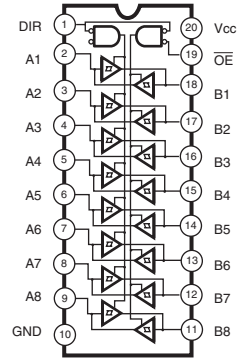
- **SN74LVU04APWR(X3936A00)**

Hex Inverter
DM: IC107



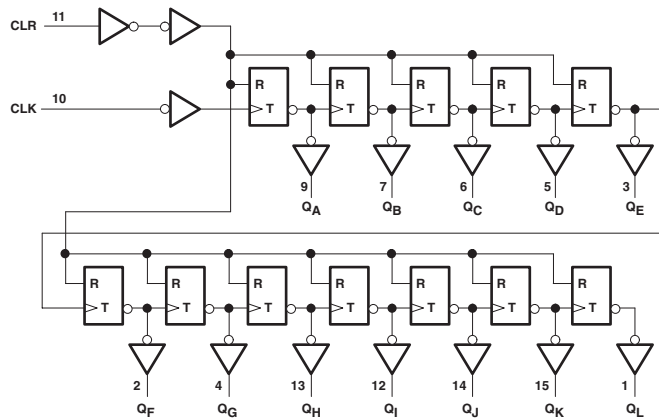
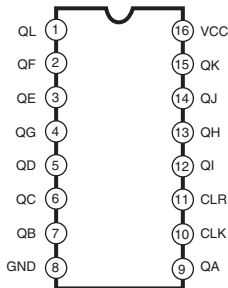
- **SN74LV245APWR(X3693A00)**

Octal 3-State Bus Transceiver
DM: IC8,9



- **SN74LV4040APWR(X3935A00)**

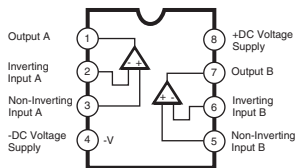
12-Bit Asynchronous Binary Counter
DM: IC110



- **NJM072M(XC458A00)**

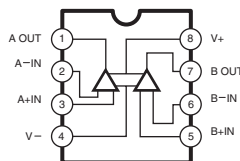
- **TL072CPSR(XV423A00)**

Dual Operational Amplifier
DM: IC101



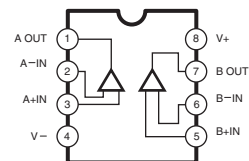
- **NJM5532M(X4980A00)**

Dual Operational Amplifier
DM: IC102,103,105,106



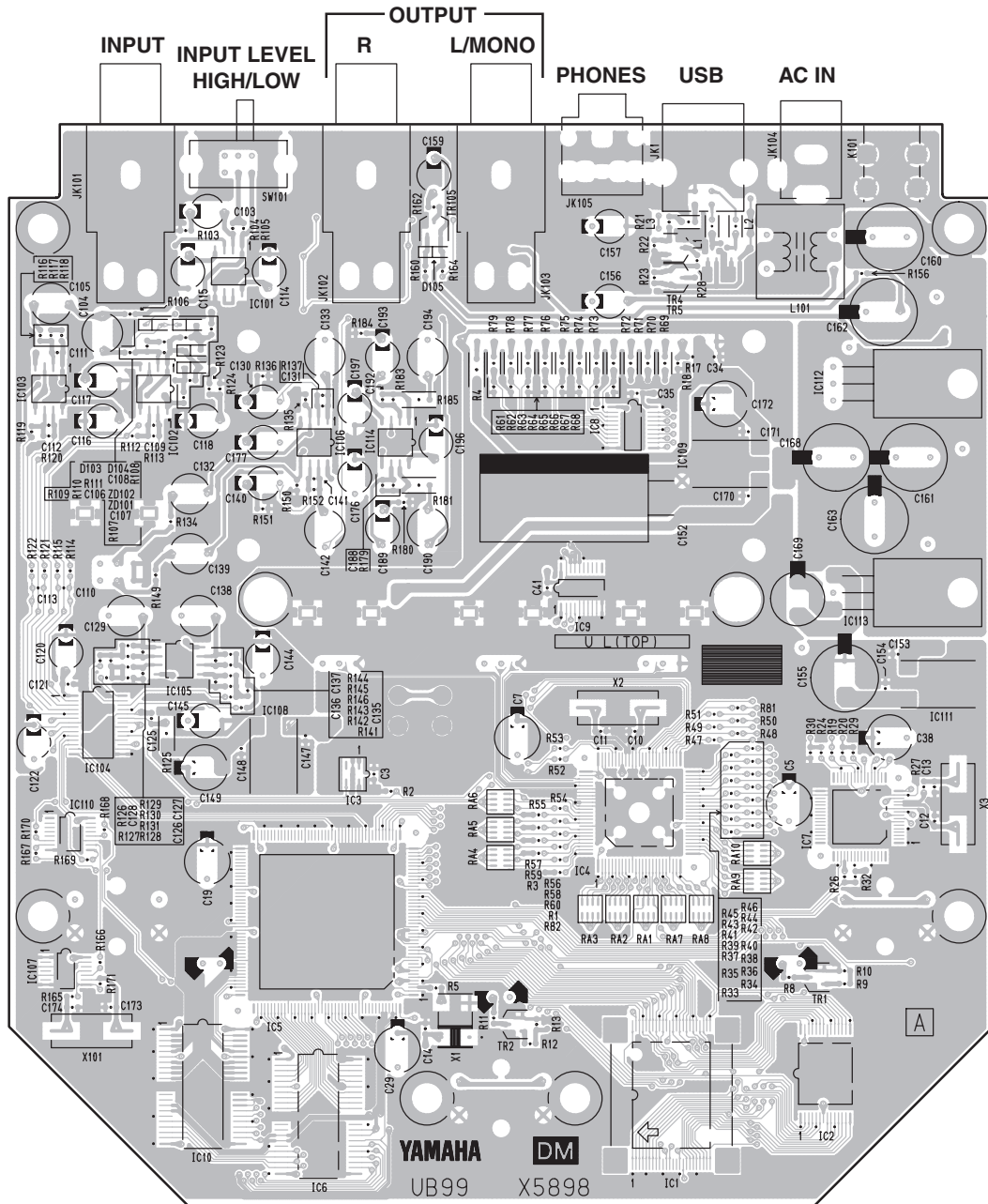
- **NJM4556AM(X5049A00)**

Dual Operational Amplifier
DM: IC114



■ CIRCUIT BOARD (シート基板図)

• DM Circuit Board



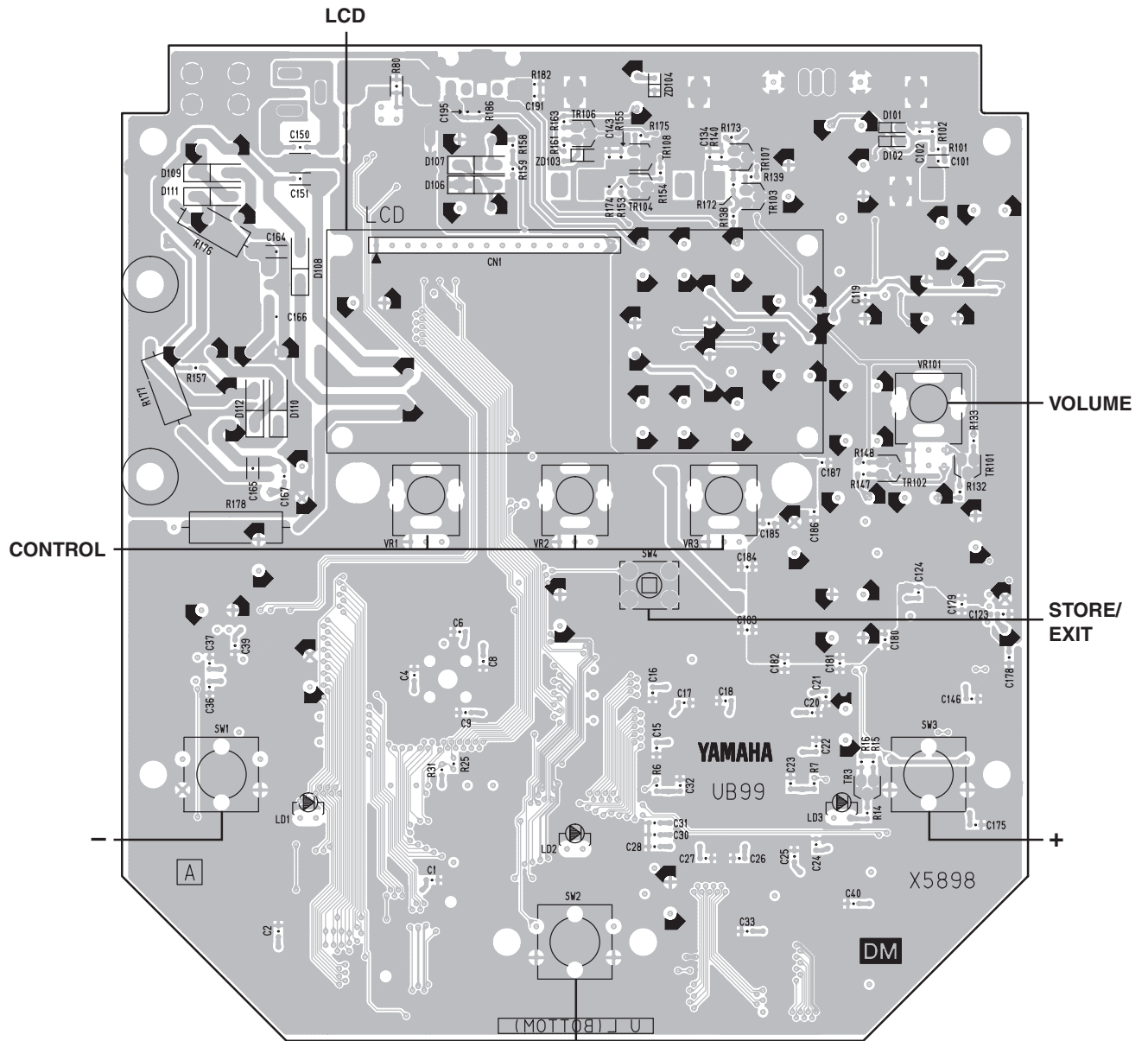
Component side (部品側)

Note: See parts list for details of circuit board component parts.

注：シートの部品詳細はパーツリストをご参照ください。

DM-4LP-X5898A0

• DM Circuit Board



ON/OFF (UB99B/UB99MK2)
 AUTO F.R. ON/OFF (UB99A)

Pattern side (パターン側)

DM:4LP-X5898A0

■ INSPECTIONS / FACTORY SET

1. Preparation

1-1. Measuring instrument:

Oscillator, Distortion meter, Level meter

1-2. Jig:

USB cable, P.C (Personal computer)

1-3. Connections of terminals:

INPUT	Monaural Input 1/4 inch Plug (Signal Input)
OUT L/ MONO	Monaural Output 1/4 inch Plug (RL 47 kΩ)
OUT R	Monaural Output 1/4 inch Plug (RL 47 kΩ)
PHONES	Stereo Output 1/7 inch Plug (RL 33 Ω)
AC IN	AC ADAPTOR (AC-10)
USB	USB Cable → P.C.
INPUT LEVEL	HIGH (+10 dB) / LOW (0 dB)

2. Measurement Conditions

- Unless otherwise specified, input signals are of sinusoidal waves and the frequency is 1 kHz.
- Before turning on power, set knobs of Control VR1, Control VR2 and Control VR3 at positions near their respective center.
- Set VOLUME VR to maximum and INPUT LEVEL SW to LOW.
- Make sure that the input impedance of the measuring instrument is 1 MΩ or greater.
- Install USB-MIDI driver on the P.C. Get the driver from the Yamaha web site.

3. Method of Inspection

3-1. How to get TEST MODE

- 3-1-1. When turning on power while pushing [-] SW and [+] SW, you will get TEST MODE. (This unit has no power switch. Power is turned on by connecting the AC adaptor.)

```
UB99 P.CHEK V1.0
PUSH [ON/OFF] SW
```

- 3-1-2. Proceed with inspection according to the instruction in the display.
Make sure that the back light LED of LCD is lit.

3-2. DSP & DRAM & AD/DA Check

- 3-2-1. Push [ON/OFF] or [AUTO F.R./ON/OFF] SW. The following display appears.

```
UB99 DSP&DRAM
PUSH [ON/OFF] SW
```

Make sure that a signal wave is outputted.

- 3-2-2. Check that the input and output values shown below are satisfied.

INPUT LEVEL SW setting	Item	Input terminal, Conditions	Output terminal, Specifications
LOW	1: Input sensitivity	INPUT -4.5 dBm (1 KHz)	OUT L/MONO 0 dBm ±3 dB
	2: ditto	INPUT -4.5 dBm (10 KHz)	OUT L/MONO 0 dBm ±3 dB
	3: ditto	INPUT -4.5 dBm (100 KHz)	OUT L/MONO 0 dBm ±3 dB
	4: ditto	INPUT -22.5 dBm (100 Hz)	OUT R 0 dBm ±3 dB
	5: ditto	INPUT -22.5 dBm (10 KHz)	OUT R 0 dBm ±3 dB
	6: ditto	INPUT -22.5 dBm (1 KHz)	OUT R 0 dBm ±3 dB
	7: ditto	INPUT -13.5 dBm (1 KHz)	PHONES R 0 dBm ±3 dB
	8: ditto	INPUT -13.5 dBm (10 KHz)	PHONES R 0 dBm ±3 dB
	9: ditto	INPUT -12.5 dBm (100 Hz)	PHONES R 0 dBm ±3 dB
	10: ditto	INPUT +5.5 dBm (100 Hz)	PHONES L 0 dBm ±3 dB
	11: ditto	INPUT +4.5 dBm (10 kHz)	PHONES L 0 dBm ±3 dB
	12: ditto	INPUT +4.5 dBm (1 kHz)	PHONES L 0 dBm ±3 dB
HIGH	13: ditto	INPUT -15 dBm (1 KHz)	OUT L/MONO 0 dBm ±3 dB
	14: Noise level	INPUT Pull Out Plug	OUT L/MONO -44 dBm or less
	15: ditto	INPUT	OUT R -44 dBm or less
	16: ditto	INPUT	PHONES L -52 dBm or less
	17: ditto	INPUT	PHONES R -52 dBm or less
	18: Distortion factor	INPUT -12 dBm (1 KHz) Push Insert Plug	OUT R 0.5% or less
	19: ditto	INPUT +6 dBm (1 KHz)	OUT L/MONO 0.5% or less
	20: ditto	INPUT +8 dBm (1 KHz)	PHONES L 0.5% or less
	21: ditto	INPUT -10 dBm (1 KHz)	PHONES R 0.5% or less

0 dBm=0.775 V

After checking, set the INPUT LEVEL SW to LOW.

3-3. SRAM Check

3-3-1. Push [ON/OFF] or [AUTO F.R./ON/OFF] SW. The following display appears.



In a short time, the display is changed as follows.



Check for the OK sign in the display.

3-4. FLASH ROM Check

3-4-1. Push [ON/OFF] or [AUTO F.R./ON/OFF] SW. The following display appears.



In a short time, the display is changed as follows.



Check for the OK sign in the display.

3-5. SW&LED Check

3-5-1. Push [ON/OFF] or [AUTO F.R./ON/OFF] SW. The following display appears.



Check for the OK sign in the display.

3-5-2. Push [-] SW. The following display appears.



and LED (-) will be turned on.

3-5-3. Push [ON/OFF] or [AUTO F.R./ON/OFF] SW. The following display appears.



Then, LED [ON/OFF] or [AUTO F.R./ON/OFF] will be turned on.

3-5-4. Push [+] SW. The following display appears.



Then, LED (+) will be turned on.

3-5-5. Push [STORE/EXIT] SW. The following display appears.



Then, three LEDs, LED (-), LED [ON/OFF] or [AUTO F.R./ON/OFF], and LED (+) will be turned on.

Check for the OK sign in the display.

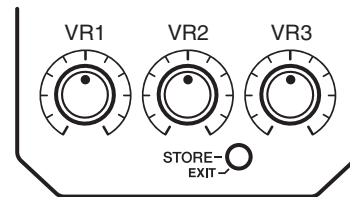
3-6. VR Check

3-6-1. Push [ON/OFF] or [AUTO F.R./ON/OFF] SW. The following display appears.



The LEDs will be turned off.

“**” represents each of VR values, and “[]” shows the position of the VR to be inspected.



Before checking, set each VR to center.

3-6-2. Turn VR1 (Control 1) fully clockwise. The following display appears.



3-6-3. Turn VR1 (Control 1) fully counterclockwise. The following display appears.



3-6-4. Turn VR1 (Control 1) to center. The following display appears.

```
UB99 VOL2 CHECK
MAX ** [**] **
```

3-6-5. Turn VR2 (Control 2) fully clockwise. The following display appears.

```
UB99 VOL2 CHECK
MIN ** [ff] **
```

3-6-6. Turn VR2 (Control 2) fully counterclockwise. The following display appears.

```
UB99 VOL2 CHECK
UP ** [00] **
```

3-6-7. Turn VR2 (Control 2) to center. The following display appears.

```
UB99 VOL3 CHECK
MAX ** ** [**]
```

3-6-8. Turn VR3 (Control 3) fully clockwise. The following display appears.

```
UB99 VOL3 CHECK
MIN ** ** [ff]
```

3-6-9. Turn VR3 (Control 3) fully counterclockwise. The following display appears.

```
UB99 VOL3 CHECK
UP ** ** [00]
```

3-6-10. Turn VR3 (Control 3) to center. The following display appears.

```
UB99 VOL3 CHECK
OK PUSH[ON/OFF]SW
```

Check for the OK sign in the display.

3-7. USB Check

3-7-1. Push [ON/OFF] or [AUTO F.R./ON/OFF] SW. The following display appears.

```
UB99 USB CHECK
V10103 CNECT USB
```

3-7-2. Connect with PC by USB cable. The following display appears.

```
UB99 USB CHECK
DISCONNECT CABLE
```

3-7-3. Remove the USB cable. The following display appears.

```
UB99 USB CHECK
OK PUSH[ON/OFF]SW
```

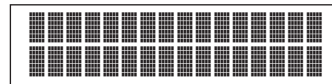
Check for the OK sign in the display.

3-8. LCD Check

3-8-1. Push [ON/OFF] or [AUTO F.R./ON/OFF] SW. The following display appears.

```
UB99 LCD CHECK
PUSH [ON/OFF] SW
```

3-8-2. Push [ON/OFF] or [AUTO F.R./ON/OFF] SW. The following display appears.



All the LEDs will be turned on.

3-9. END

3-9-1. Push [ON/OFF] or [AUTO F.R./ON/OFF] SW. The following display appears.

```
UB99 DIAG ALL OK
PLEASE POWER OFF
```

Turn off power, and the inspection is now completed.

Finally, perform "4. Factory Set" as follows.

4. Factory Set

Turn off power, and the inspection is now completed. If you reset UB99A/ UB99B/ UB99MK2 to the factory default setting, all of the batch contents you saved are erased. Take notes of the settings, or save the settings on your computer, if necessary (See page 22).

- 4-1. Turn on power while pushing [ON/OFF] or [AUTO F.R./ON/OFF] SW and [STORE/EXIT] SW. The following display appears.

```
FACTORY SET
NO:[-] YES:[+]
```

- 4-2. Push [+] SW. The following display appears.

```
FACTORY SET
SURE?PUSH[STORE]
```

- 4-3. Push [STORE/EXIT] SW. The following display appears.

```
FACTORY SET
NOW FACTORY SET!
```

Then, the display is changed as follows.

```
FACTORY SET
COMPLETE!!
```

The Factory Set is completed.

Then, "5.Opening" display will appear and operation returns to a normal condition.

- 4-4. At the time of cancellation, the following display appears.

```
FACTORY SET
CANCELLED!
```

5. Opening

- In this mode, the following display appears.

```
MAGICSTOMP
V2.00
```

(This picture shows an example of UB99MK2.)

- * "V2.00" indicates the version of the firmware. This number is subject to change due to the specification change.

Then, the display is changed as follows.

```
WAIT A MOMENT...
```

Finally, the display is changed as follows.

```
U01▶HeavyHiGain
◀GAIN◀MSTR◀TONE
```

(This picture shows an example of UB99MK2.)

Turn off power and finish the procedure.

■ 検査 / ファクトリーセット

1. 準備

1-1. 測定器：

発振器、歪率計、レベル計

1-2. 治具：

USB ケーブル、P.C. (パーソナルコンピュータ)

1-3. 各端子の接続：

INPUT	モノラル入力 (Signal Input)
OUT L/MONO	モノラル出力 (R _L 47 KΩ)
OUT R	モノラル出力 (R _L 47 KΩ)
PHONES	ステレオ出力 (R _L 33 Ω)
AC IN	AC アダプター (AC-10)
USB	USB ケーブル → P.C.
INPUT LEVEL	HIGH (+10dB) / LOW (0dB)

2. 測定基準

- 特に規定の無い場合の入力信号は正弦波、周波数は 1KHz とします。
- 電源を投入する前に、Control VR1、Control VR2、Control VR3 のつまみをセンター 付近に設定します。
- VOLUME VR は最大、INPUT LEVEL SW は LOW に設定します。
- 測定器の入力インピーダンスは 1MΩ 以上であることを確認します。
- P.C. に USB-MIDI ドライバーをインストールします。ドライバはヤマハウェブサイトから入手してください。

3. 検査方法

3-1. TEST MODE の入り方

- 3-1-1. [-] SW、[+] SW を押しながら電源を投入すると TEST MODE に入ります。(本体に電源スイッチはありません。AC アダプターを接続すると電源が投入されます。)

```
UB99 P.CHEK V1.0
PUSH [ON/OFF] SW
```

表示にしたがい検査を進めます。
必ず LCD バックライト (LED) が点灯していることを確認してください。

3-2. DSP & DRAM & AD/DA Check

- 3-2-1. [ON/OFF] または [AUTO F.R./ON/OFF] SW を押します。

```
UB99 DSP&DRAM
PUSH [ON/OFF] SW
```

と表示され、信号波形が出力されるのを確認します。

- 3-2-2. 入出力の値が下表を満たしていることを確認してください。

INPUT LEVEL SW 設定	項目	入力端子、条件	出力端子、規格値
LOW	1: 入力感度	INPUT -4.5 dBm (1 KHz)	OUT L/MONO 0 dBm ± 3 dB
	2: 同上	INPUT -4.5 dBm (10 KHz)	OUT L/MONO 0 dBm ± 3 dB
	3: 同上	INPUT -4.5 dBm (100 Hz)	OUT L/MONO 0 dBm ± 3 dB
	4: 同上	INPUT -22.5 dBm (100 Hz)	OUT R 0 dBm ± 3 dB
	5: 同上	INPUT -22.5 dBm (10 KHz)	OUT R 0 dBm ± 3 dB
	6: 同上	INPUT -22.5 dBm (1 KHz)	OUT R 0 dBm ± 3 dB
	7: 同上	INPUT -13.5 dBm (1 KHz)	PHONES R 0 dBm ± 3 dB
	8: 同上	INPUT -13.5 dBm (10 KHz)	PHONES R 0 dBm ± 3 dB
	9: 同上	INPUT -12.5 dBm (100 Hz)	PHONES R 0 dBm ± 3 dB
	10: 同上	INPUT +5.5 dBm (100 Hz)	PHONES L 0 dBm ± 3 dB
	11: 同上	INPUT +4.5 dBm (10 KHz)	PHONES L 0 dBm ± 3 dB
	12: 同上	INPUT +4.5 dBm (1 KHz)	PHONES L 0 dBm ± 3 dB
HIGH	13: 同上	INPUT -15 dBm (1 KHz)	OUT L/MONO 0 dBm ± 3 dB
	14: ノイズレベル	INPUT 入力プラグを抜きます	OUT L/MONO -44 dBm 以下
	15: 同上	INPUT	OUT R -44 dBm 以下
	16: 同上	INPUT	PHONES L -52 dBm 以下
	17: 同上	INPUT	PHONES R -52 dBm 以下
	18: 歪率	INPUT -12 dBm (1 KHz) 入力プラグを差し ます	OUT R 0.5% 以下
	19: 同上	INPUT +6 dBm (1 KHz)	OUT L/MONO 0.5% 以下
	20: 同上	INPUT +8 dBm (1 KHz)	PHONES L 0.5% 以下
	21: 同上	INPUT -10 dBm (1 KHz)	PHONES R 0.5% 以下

0 dBm=0.775 V

確認後、INPUT LEVEL SW を LOW に設定してください。

3-3. SRAM Check

- 3-3-1. [ON/OFF]または[AUTO F.R./ON/OFF] SWを押します。

```
UB99 SRAM CHECK
NOW WRITE & READ
```

と表示し、しばらくすると

```
UB99 SRAM CHECK
OK PUSH[ON/OFF]SW
```

と表示されます。OK表示を確認してください。

3-4. FLASH ROM Check

- 3-4-1. [ON/OFF]または[AUTO F.R./ON/OFF] SWを押します。

```
UB99 FLASH ROM
NOW WRITE & READ
```

と表示し、しばらくすると

```
UB99 FLASH ROM
OK PUSH[ON/OFF]SW
```

と表示されます。OK表示を確認してください。

3-5. SW&LED Check

- 3-5-1. [ON/OFF]または[AUTO F.R./ON/OFF] SWを押します。

```
UB99 SW&LED CHEK
PUSH [-] SWITCH
```

と表示されます。

- 3-5-2. [-] SWを押します。

```
UB99 SW&LED CHEK
PUSH [ON/OFF] SW
```

と表示されLED (-)が点灯します。

- 3-5-3. [ON/OFF]または[AUTO F.R./ON/OFF] SWを押します。

```
UB99 SW&LED CHEK
PUSH [+] SWITCH
```

と表示されLED (ON/OFF または AUTO F.R./ON/OFF) が点灯します。

- 3-5-4. [+] SWを押します。

```
UB99 SW&LED CHEK
PUSH [STORE] SW
```

と表示されLED (+) が点灯します。

- 3-5-5. [STORE/EXIT] SWを押します。

```
UB99 SW&LED CHEK
PUSH [ON/OFF] SW
```

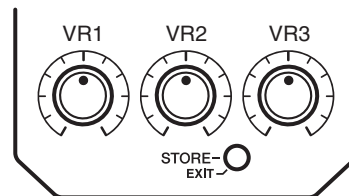
と表示されLED (-)、LED (ON/OFF または AUTO F.R./ON/OFF)、LED (+) が3個点灯します。OK表示を確認してください。

3-6. VR Check

- 3-6-1. [ON/OFF]または[AUTO F.R./ON/OFF] SWを押します。

```
UB99 VOL1 CHECK
MAX [**] ** **
```

と表示されます。LEDは消灯します。**はそれぞれのVRの値を表示します。[]が検査するVRの位置を示します。



検査の前に、必ず各VRをセンター付近に設定してください。

- 3-6-2. VR1 (Control 1) を右にいっぱいまで回します。

```
UB99 VOL1 CHECK
MIN [ff] ** **
```

と表示されます。

- 3-6-3. VR1 (Control 1) を左にいっぱいまで回します。

```
UB99 VOL1 CHECK
UP [00] ** **
```

と表示されます。

4. ファクトリーセット

ファクトリーセットを実行すると保存したユーザーパッチ内容はすべて消えてしまいます。必要なデータはセッティングをメモしたり、コンピューターに保存してください。(P.22 参照)

- 4-1. [ON/OFF] または [AUTO F.R./ON/OFF] SW と [STORE/EXIT] SW を押しながら電源を ON にします。

```
FACTORY SET
NO:[-] YES:[+]
```

と表示されます。

- 4-2. [+] SW を押します。

```
FACTORY SET
SURE?PUSH[STORE]
```

と表示されます。

- 4-3. [STORE/EXIT] SW を押すと

```
FACTORY SET
NOW FACTORY SET!
```

となり

```
FACTORY SET
COMPLETE!!
```

と表示されファクトリーセットが完了します。その後 5. オープニング表示をし通常動作となります。

- 4-4. キャンセルしたときは、

```
FACTORY SET
CANCELLED!
```

と表示されます。

5. オープニング

```
MAGICSTOMP
V2.00
```

(この画面は参考例 (UB99MK2) です。)

※ “V2.00” はファームウェアのバージョン番号を示します。仕様変更によりこの番号は変わることがあります。

と表示され

```
WAIT A MOMENT...
```

と変わり

```
U01▶HeavyHiGain
SOGAIN◀MSTRATONE
```

(この画面は参考例 (UB99MK2) です。)

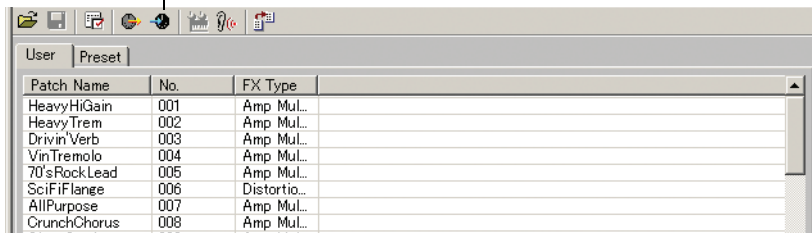
となります。

電源を切って終了してください。

■ BACKUP THE USER PATCH DATA (ユーザーパッチのバックアップ)

- Using the USB cable, connect the computer to the MAGICSTOMP, then turn on the computer and the MAGICSTOMP.
- Insert the CD-ROM (*1) into your computer.
- Start the Sound Editor for MAGICSTOMP.
- Click on the “Bulk Receive” button on the tool bar, and then click the “Start” button.
- MAGICSTOMP とコンピューターを USB ケーブルで接続し、コンピューターとMAGICSTOMPの電源を入れます。
- コンピューターにCD-ROM (※1) をセットします。
- Sound Editor for MAGICSTOMP を起動します。
- ツールバーの [バルク受信ボタン] をクリックし、[スタート] をクリックします。

Bulk Receive Button (バルク受信ボタン)



- The contents of the MAGICSTOMP's User Patch memory are transferred to the computer. The MAGICSTOMP's display will indicate how much data has been transferred.
- MAGICSTOMP のユーザーパッチの内容がコンピューターに送られます。MAGICSTOMP のディスプレイには、パッチデータの送信状況が表示されます。

```
BULK OUT ALL!  
NOW PATCH:59
```

- The Bulk Receive operation is complete when the contents of the MAGICSTOMP's User Patch memory appears in the library window.
- Click on the “Close” button to close the Bulk Receive dialog box.
- Click on the “Save” button to give the file a name and store the data in the computer. This is your backup file.
- ライブラリーウィンドウにMAGICSTOMPのユーザーパッチの内容が表示されたら、バルク受信完了です。
- [終了] をクリックして、バルク受信ダイアログを閉じます。
- ツールバーの [上書き保存ボタン] をクリックし、ファイル名を付けてコンピューターに保存します。これがバックアップファイルとなります。

*1: Please use the CD-ROM numbered as follows:

UB99A: X4770A00
 UB99B: X5906A00
 UB99MK2 X4770A00

※1 : 下記の部品番号の CD-ROM を使用してください。

UB99A : X4770A00
 UB99B : X5906A00
 UB99MK2 : X4770A00

■ ERROR MESSAGES

One of the following messages may appear in the MAGICSTOMP's display if an error occurs during operation. If so, please stop operation and check the following points to find a solution to the problem.

```
BAD DATA:U**
PUSH ANY KEY
```

The data being bulk transmitted is damaged. After restoring (overwrite, store, etc.) the user patch data that corresponds to the patch number, try transmitting the data again.

```
MIDI ERROR!
PUSH ANY KEY
```

An error occurred while transmitting data. Check the USB cable connection, computer settings, etc.

```
BULK ERROR!
PUSH ANY KEY
```

An error occurred while transmitting or receiving bulk data. Check the USB cable connection. Also, if the error occurs about halfway through the operation, setting the interval speed to a slower setting sometimes solves the problem.

```
USB ERROR!
PUSH ANY KEY
```

The hardware is damaged.

■ エラーメッセージ

MAGICSTOMP にエラーが発生した場合、ディスプレイに次のエラーメッセージが表示されます。操作を一時中断し、それぞれの対処方法に従ってください。

```
BAD DATA:U**
PUSH ANY KEY
```

バルクアウトしようとしたデータが壊れています。ナンバーに対応するユーザーパッチデータを修復(上書き保存など)後、再送信してください。

```
MIDI ERROR!
PUSH ANY KEY
```

通信エラーです。USBケーブルの接続、コンピューターの設定などを確認してください。

```
BULK ERROR!
PUSH ANY KEY
```

バルクの送受信に失敗しました。USBケーブルの接続を確認してください。また、途中まで通信をしている場合は、通信速度(インターバル)を遅くすることで、正しく受信できる場合があります。

```
USB ERROR!
PUSH ANY KEY
```

ハードウェアの故障です。

ACOUSTIC EFFECTS PROCESSOR
BASS EFFECTS PROCESSOR
GUITAR EFFECTS PROCESSOR

Magicstomp

UB99A/UB99B/UB99MK2

PARTS LIST

■ CONTENTS (目次)

OVERALL ASSEMBLY (総組立).....	2
TOP CASE ASSEMBLY (トップケース Ass'y).....	3
ELECTRICAL PARTS (電気部品).....	4-8

Notes : DESTINATION ABBREVIATIONS

A: Australian model	M: South African model
B: British model	O: Chinese model
C: Canadian model	Q: South-east Asia model
D: German model	T: Taiwan model
E: European model	U: U.S.A. model
F: French model	V: General export model (110V)
H: North European model	W: General export model (220V)
I: Indonesian model	N,X: General export model
J: Japanese model	Y: Export model
K: Korean model	

■ WARNING (注意)

Components having special characteristics are marked \triangle and must be replaced with parts having specification equal to those originally installed.

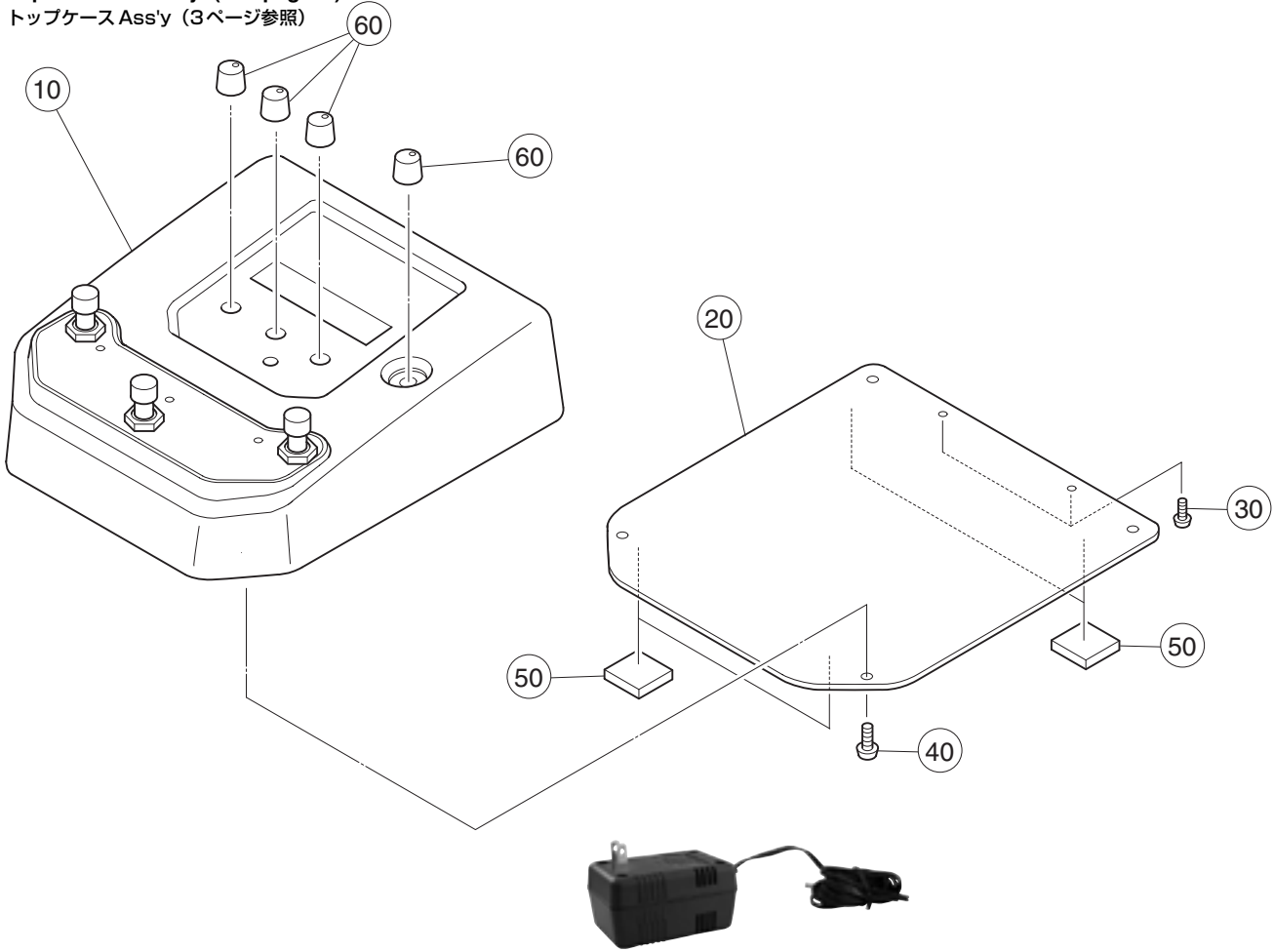
\triangle 印の部品は、安全を維持するために重要な部品です。交換する場合は、安全のために必ず指定の部品をご使用ください。

- The numbers "QTY" show quantities for each unit.
- The parts with "--" in "PART NO." are not available as spare parts.
- This mark "}" in the REMARKS column means these parts are interchangeable.
- The second letter of the shaded () part number is O, not zero.
- The second letter of the shaded () part number is I, not one.
- 部品価格ランクは、変更になることがあります。
- QTY 欄に記されている数字は、各ユニット当たりの使用個数です。
- PART NO. が "--" の部品は、サービス用部品として準備されておりません。
- REMARKS 欄の "}" マークの部品は、併用部品です。
- 網掛けの付いた PART NO. の 2 番目の文字は「ゼロ」ではなく、「オー」です。
- 網掛けの付いた PART NO. の 2 番目の文字は「イチ」ではなく、「アイ」です。

OVERALL ASSEMBLY (総組立)

Top case Assembly: (See page 3.)

トップケース Ass'y (3ページ参照)



AC-10

* AC Output Power Adaptor

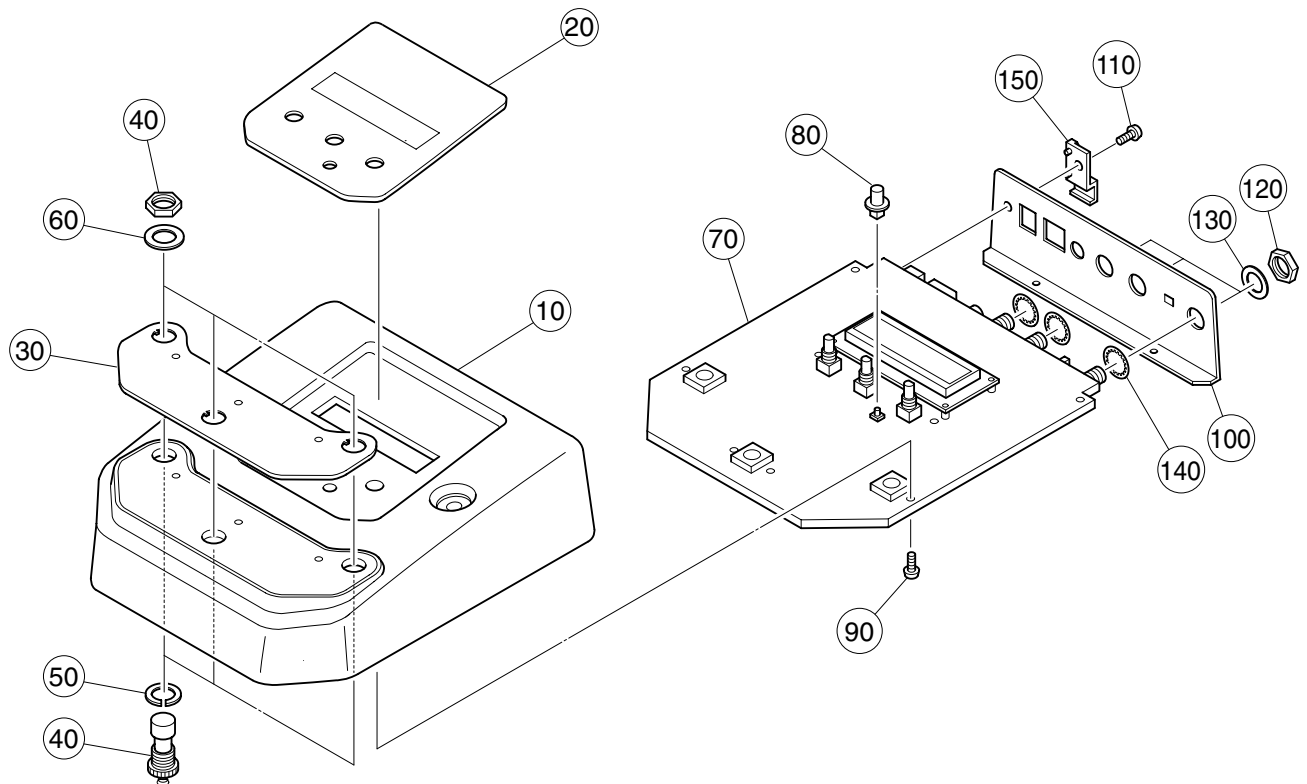
* (本品は AC 出力の電源アダプターです。)

REF NO.	PART NO.	DESCRIPTION	部 品 名	REMARKS	QTY	RANK
	---	OVERALL ASSEMBLY	総 組 立	UB99A (WD90520)		
	---	OVERALL ASSEMBLY	総 組 立	UB99B (WD98920)		
	---	OVERALL ASSEMBLY	総 組 立	UB99MK2 (WD90530)		
10	---	Top Case Assembly	ト ッ プ ケ ー ス A s s ' y	UB99A (WD90630)		
10	---	Top Case Assembly	ト ッ プ ケ ー ス A s s ' y	UB99B (WD99000)		
10	---	Top Case Assembly	ト ッ プ ケ ー ス A s s ' y	UB99MK2 (WD90640)		
*	WD906500	Bottom Case	ボ ト ム ケ ー ス	UB99A		
*	WE124400	Bottom Case	ボ ト ム ケ ー ス	UB99B		
*	WD906600	Bottom Case	ボ ト ム ケ ー ス	UB99MK2		
30	EP600190	Bind Head Tapping Screw-B	＋ バ イ ン ド B タ イ ト		2	01
40	VB931600	Bind Head Tapping Screw-P	＋ バ イ ン ド P タ イ ト		4	01
50	WB845100	Foot	レ ッ グ		4	01
60	WB845200	Knob Black	ノ ッ プ	CONTROL 1-3, VOLUME	4	01
		ACCESSORIES	付 属 品			
△	V5883000	AC Adaptor	A C ア ダ プ タ ー	U,C		08
△	V5883100	AC Adaptor	A C ア ダ プ タ ー	H		08
*	X4770A00	CD-ROM	C D - R O M	UB99A		04
*	X5906A00	CD-ROM	C D - R O M	UB99B		04
*	X4770A00	CD-ROM	C D - R O M	UB99MK2		04
	WB930000	USB Cable	U S B ケ ー ブ ル			04

*: New Parts

RANK: Japan only

TOP CASE ASSEMBLY (トップケース Ass'y)



REF NO.	PART NO.	DESCRIPTION	部 品 名	REMARKS	QTY	RANK
	--	TOP CASE ASSEMBLY	UB99A	トップケース Ass'y	UB99A (WD90630)	
	--	TOP CASE ASSEMBLY	UB99B	トップケース Ass'y	UB99B (WD99000)	
	--	TOP CASE ASSEMBLY	UB99MK2	トップケース Ass'y	UB99MK2 (WD90640)	
* 10	WD906700	Top Case		ト ッ プ ケ ー ス	UB99A	
* 10	WE124500	Top Case		ト ッ プ ケ ー ス	UB99B	
* 10	WD906800	Top Case		ト ッ プ ケ ー ス	UB99MK2	
* 20	WD906900	Panel Sheet	t=1.0	パ ネ ル シ ー ト	UB99A	
* 20	WE124600	Panel Sheet	t=1.0	パ ネ ル シ ー ト	UB99B	
* 20	WD952700	Panel Sheet	t=1.0	パ ネ ル シ ー ト	UB99MK2	
* 30	WD907000	Foot Switch Panel	t=1.2	フ ッ ト ス イ ッ チ パ ネ ル	UB99A	
* 30	WE124700	Foot Switch Panel	t=1.2	フ ッ ト ス イ ッ チ パ ネ ル	UB99B	
* 30	WB845800	Foot Switch Panel	t=1.2	フ ッ ト ス イ ッ チ パ ネ ル	UB99MK2	04
* 40	WB842500	Foot Switch	ALPHA SF12030	フ ッ ト ス イ ッ チ	-,ON/OFF,+	3 05
* 50	WB842900	Spring Washer	12X15 MFZN2Y	バ ネ 座 金		3
* 60	ET500230	Flat Washer	12.0X16X0.5 MFNI33	特 種 平 座 金		3 01
* 70	WD894900	Circuit Board	DM	D M シ ー ト	UB99A	
* 70	WE164000	Circuit Board	DM	D M シ ー ト	UB99B	
* 70	WD958700	Circuit Board	DM	D M シ ー ト	UB99MK2	
* 80	WB845700	Key Top Black		キ ー ト ッ プ	STORE	01
* 90	EP630220	Bind Head Tapping Screw-P	3.0X8 MFZN2BL	+ バ イ ン ド P タ イ ト		8 01
* 100	WD907200	Rear Panel	t=1.6	リ ア パ ネ ル	UB99A	
* 100	WE124800	Rear Panel	t=1.6	リ ア パ ネ ル	UB99B	
* 100	WB845900	Rear Panel	t=1.6	リ ア パ ネ ル	UB99MK2	03
* 110	VA295800	Bind Head Screw	3.0X8 MFZN2BL	+ バ イ ン ド 小 ネ ジ		01
* 120	LX200060	Hexagonal Nut	9.0 12X2 MFNI33	特 殊 六 角 ナ ッ ト		3 01
* 130	VL802300	Flat Washer	9.0X14X0.5 MFNI33	特 殊 平 座 金		3 01
* 140	ET800150	Toothed Lock Washer-A	9.0 MFZN2Y	歯 付 き 座 金 内 歯 形		3 01
* 150	WC497400	AC Cord Column		A C コ ー ド コ ラ ム		

*: New Parts

RANK: Japan only

ELECTRICAL PARTS (電気部品)

REF NO.	PART NO.	DESCRIPTION		部 品 名	REMARKS	QTY	RANK
		ELECTRICAL PARTS		電 気 部 品			
*	WD894900	Circuit Board	DM	D M シ ー ト	UB99A (X5898A0)		
*	WE164000	Circuit Board	DM	D M シ ー ト	UB99B (X5898A0)		
*	WD958700	Circuit Board	DM	D M シ ー ト	UB99MK2 (X5898A0)		
*	WD894900	Circuit Board	DM	D M シ ー ト	UB99A (X5898A0)		
*	WE164000	Circuit Board	DM	D M シ ー ト	UB99B (X5898A0)		
*	WD958700	Circuit Board	DM	D M シ ー ト	UB99MK2 (X5898A0)		
	WB843600	Spacer Support	PINGOOD MCD2-5	ス ペ ー サ ー サ ポ ー ト		4	
	WB843700	LED Holder	PINGOOD LED3-18	L E D ホ ル ダ ー		3	
	VB763800	Bind Head Screw	SP 3.0X12 MFZN2Y	十 バ イ ン ド 小 ネ ジ		2	01
	WB843500	Hexagonal Nut	M3X15	六 角 長 ナ ッ ト		2	
	WB929700	LCD	EC016002S	液 晶 デ ィ ス プ レ イ			09
C0001	US145100	Ceramic Capacitor-F(chip)	0.1000 25V Z	チ ッ プ セ ラ (F)			01
-0004	US145100	Ceramic Capacitor-F(chip)	0.1000 25V Z	チ ッ プ セ ラ (F)			01
C0005	UI528100	Electrolytic Cap.	100.00 10.0V	ケ ミ コ ン			01
C0006	US145100	Ceramic Capacitor-F(chip)	0.1000 25V Z	チ ッ プ セ ラ (F)			01
C0007	UI528100	Electrolytic Cap.	100.00 10.0V	ケ ミ コ ン			01
C0008	US145100	Ceramic Capacitor-F(chip)	0.1000 25V Z	チ ッ プ セ ラ (F)			01
C0009	US145100	Ceramic Capacitor-F(chip)	0.1000 25V Z	チ ッ プ セ ラ (F)			01
C0010	US061100	Ceramic Capacitor-CH(chip)	10P 50V D	チ ッ プ セ ラ (C H)			01
C0011	US061100	Ceramic Capacitor-CH(chip)	10P 50V D	チ ッ プ セ ラ (C H)			01
C0012	US061270	Ceramic Capacitor-CH(chip)	27P 50V J	チ ッ プ セ ラ (C H)			01
C0013	US061270	Ceramic Capacitor-CH(chip)	27P 50V J	チ ッ プ セ ラ (C H)			01
C0014	US145100	Ceramic Capacitor-F(chip)	0.1000 25V Z	チ ッ プ セ ラ (F)			01
-0018	US145100	Ceramic Capacitor-F(chip)	0.1000 25V Z	チ ッ プ セ ラ (F)			01
C0019	UI528100	Electrolytic Cap.	100.00 10.0V	ケ ミ コ ン			01
C0020	US145100	Ceramic Capacitor-F(chip)	0.1000 25V Z	チ ッ プ セ ラ (F)			01
-0028	US145100	Ceramic Capacitor-F(chip)	0.1000 25V Z	チ ッ プ セ ラ (F)			01
C0029	UI528100	Electrolytic Cap.	100.00 10.0V	ケ ミ コ ン			01
C0030	US145100	Ceramic Capacitor-F(chip)	0.1000 25V Z	チ ッ プ セ ラ (F)			01
-0037	US145100	Ceramic Capacitor-F(chip)	0.1000 25V Z	チ ッ プ セ ラ (F)			01
C0038	UI528100	Electrolytic Cap.	100.00 10.0V	ケ ミ コ ン			01
C0039	US145100	Ceramic Capacitor-F(chip)	0.1000 25V Z	チ ッ プ セ ラ (F)			01
-0041	US145100	Ceramic Capacitor-F(chip)	0.1000 25V Z	チ ッ プ セ ラ (F)			01
C0101	UY065220	Ceramic Capacitor(chip)	0.2200 50V Z	チ ッ プ セ ラ			01
C0102	US062100	Ceramic Capacitor-SL(chip)	100P 50V J	チ ッ プ セ ラ (S L)			01
C0103	UR847100	Electrolytic Cap.	10.00 25.0V	ケ ミ コ ン			01
C0104	V4587500	Electrolytic Cap.-NK	10.00 25.0V	無 極 性 ケ ミ コ ン N K			01
C0105	V4587500	Electrolytic Cap.-NK	10.00 25.0V	無 極 性 ケ ミ コ ン N K			01
C0106	US061100	Ceramic Capacitor-CH(chip)	10P 50V D	チ ッ プ セ ラ (C H)			01
C0107	US145100	Ceramic Capacitor-F(chip)	0.1000 25V Z	チ ッ プ セ ラ (F)			01
C0108	US145100	Ceramic Capacitor-F(chip)	0.1000 25V Z	チ ッ プ セ ラ (F)			01
C0109	US062100	Ceramic Capacitor-SL(chip)	100P 50V J	チ ッ プ セ ラ (S L)			01
C0110	US063150	Ceramic Capacitor-B(chip)	1500P 50V K	チ ッ プ セ ラ (B)			01
C0111	US062100	Ceramic Capacitor-SL(chip)	100P 50V J	チ ッ プ セ ラ (S L)			01
C0112	US062100	Ceramic Capacitor-SL(chip)	100P 50V J	チ ッ プ セ ラ (S L)			01
C0113	US063150	Ceramic Capacitor-B(chip)	1500P 50V K	チ ッ プ セ ラ (B)			01
C0114	UR847100	Electrolytic Cap.	10.00 25.0V	ケ ミ コ ン			01
-0118	UR847100	Electrolytic Cap.	10.00 25.0V	ケ ミ コ ン			01
C0119	US145100	Ceramic Capacitor-F(chip)	0.1000 25V Z	チ ッ プ セ ラ (F)			01
C0120	UR866220	Electrolytic Cap.	2.20 50.0V	ケ ミ コ ン			01
C0121	US145100	Ceramic Capacitor-F(chip)	0.1000 25V Z	チ ッ プ セ ラ (F)			01
C0122	UR847100	Electrolytic Cap.	10.00 25.0V	ケ ミ コ ン			01
C0123	US145100	Ceramic Capacitor-F(chip)	0.1000 25V Z	チ ッ プ セ ラ (F)			01
-0125	US145100	Ceramic Capacitor-F(chip)	0.1000 25V Z	チ ッ プ セ ラ (F)			01
C0126	US062470	Ceramic Capacitor-SL(chip)	470P 50V J	チ ッ プ セ ラ (S L)			01
C0127	US062470	Ceramic Capacitor-SL(chip)	470P 50V J	チ ッ プ セ ラ (S L)			01
C0128	US063330	Ceramic Capacitor-B(chip)	3300P 50V K	チ ッ プ セ ラ (B)			01
C0129	V4587500	Electrolytic Cap.-NK	10.00 25.0V	無 極 性 ケ ミ コ ン N K			01
C0130	UR847100	Electrolytic Cap.	10.00 25.0V	ケ ミ コ ン			01
C0131	US061220	Ceramic Capacitor-CH(chip)	22P 50V J	チ ッ プ セ ラ (C H)			01
C0132	V4587500	Electrolytic Cap.-NK	10.00 25.0V	無 極 性 ケ ミ コ ン N K			01
C0133	V4587500	Electrolytic Cap.-NK	10.00 25.0V	無 極 性 ケ ミ コ ン N K			01
C0134	US062100	Ceramic Capacitor-SL(chip)	100P 50V J	チ ッ プ セ ラ (S L)			01
C0135	US063330	Ceramic Capacitor-B(chip)	3300P 50V K	チ ッ プ セ ラ (B)			01
C0136	US062470	Ceramic Capacitor-SL(chip)	470P 50V J	チ ッ プ セ ラ (S L)			01
C0137	US062470	Ceramic Capacitor-SL(chip)	470P 50V J	チ ッ プ セ ラ (S L)			01
C0138	V4587500	Electrolytic Cap.-NK	10.00 25.0V	無 極 性 ケ ミ コ ン N K			01
C0139	V4587500	Electrolytic Cap.-NK	10.00 25.0V	無 極 性 ケ ミ コ ン N K			01

*: New Parts

RANK: Japan only

REF NO.	PART NO.	DESCRIPTION	部 品 名	REMARKS	QTY	RANK
C0140	UR847100	Electrolytic Cap.	10.00 25.0V	ケ ミ コ ン		01
C0141	US061220	Ceramic Capacitor-CH(chip)	22P 50V J	チ ッ プ セ ラ (C H)		01
C0142	V4587500	Electrolytic Cap.-NK	10.00 25.0V	無 極 性 ケ ミ コ ン N K		01
C0143	US062100	Ceramic Capacitor-SL(chip)	100P 50V J	チ ッ プ セ ラ (S L)		01
C0144	UR847100	Electrolytic Cap.	10.00 25.0V	ケ ミ コ ン		01
C0145	UR847100	Electrolytic Cap.	10.00 25.0V	ケ ミ コ ン		01
C0146	US145100	Ceramic Capacitor-F(chip)	0.1000 25V Z	チ ッ プ セ ラ (F)		01
-0148	US145100	Ceramic Capacitor-F(chip)	0.1000 25V Z	チ ッ プ セ ラ (F)		01
C0149	UI528100	Electrolytic Cap.	100.00 10.0V	ケ ミ コ ン		01
C0150	UY065100	Ceramic Capacitor(chip)	0.1000 50V Z	チ ッ プ セ ラ		01
C0151	UY065100	Ceramic Capacitor(chip)	0.1000 50V Z	チ ッ プ セ ラ		01
C0152	UR649220	Electrolytic Cap.	2200 25.0V	ケ ミ コ ン		02
C0153	US145100	Ceramic Capacitor-F(chip)	0.1000 25V Z	チ ッ プ セ ラ (F)		01
C0154	US145100	Ceramic Capacitor-F(chip)	0.1000 25V Z	チ ッ プ セ ラ (F)		01
C0155	UR829100	Electrolytic Cap.	1000 10.0V	ケ ミ コ ン		01
C0156	UR866100	Electrolytic Cap.	1.00 50.0V	ケ ミ コ ン		01
C0157	UR866100	Electrolytic Cap.	1.00 50.0V	ケ ミ コ ン		01
C0159	UR866470	Electrolytic Cap.	4.70 50.0V	ケ ミ コ ン		01
C0160	UR848470	Electrolytic Cap.	470.00 25.0V	ケ ミ コ ン		01
C0161	UR848470	Electrolytic Cap.	470.00 25.0V	ケ ミ コ ン		01
C0162	UR868470	Electrolytic Cap.	470.00 50.0V	ケ ミ コ ン		01
C0163	UR868470	Electrolytic Cap.	470.00 50.0V	ケ ミ コ ン		01
C0164	UY065100	Ceramic Capacitor(chip)	0.1000 50V Z	チ ッ プ セ ラ		01
C0165	UY065100	Ceramic Capacitor(chip)	0.1000 50V Z	チ ッ プ セ ラ		01
C0166	US145100	Ceramic Capacitor-F(chip)	0.1000 25V Z	チ ッ プ セ ラ (F)		01
C0167	US145100	Ceramic Capacitor-F(chip)	0.1000 25V Z	チ ッ プ セ ラ (F)		01
C0168	UR848470	Electrolytic Cap.	470.00 25.0V	ケ ミ コ ン		01
C0169	UR848220	Electrolytic Cap.	220.00 25.0V	ケ ミ コ ン		01
C0170	US145100	Ceramic Capacitor-F(chip)	0.1000 25V Z	チ ッ プ セ ラ (F)		01
C0171	US145100	Ceramic Capacitor-F(chip)	0.1000 25V Z	チ ッ プ セ ラ (F)		01
C0172	UI528100	Electrolytic Cap.	100.00 10.0V	ケ ミ コ ン		01
C0173	US060500	Ceramic Capacitor-CH(chip)	5P 50V C	チ ッ プ セ ラ (C H)		01
C0174	US060500	Ceramic Capacitor-CH(chip)	5P 50V C	チ ッ プ セ ラ (C H)		01
C0175	US145100	Ceramic Capacitor-F(chip)	0.1000 25V Z	チ ッ プ セ ラ (F)		01
C0176	UR847100	Electrolytic Cap.	10.00 25.0V	ケ ミ コ ン		01
C0177	UR847100	Electrolytic Cap.	10.00 25.0V	ケ ミ コ ン		01
C0178	US145100	Ceramic Capacitor-F(chip)	0.1000 25V Z	チ ッ プ セ ラ (F)		01
-0187	US145100	Ceramic Capacitor-F(chip)	0.1000 25V Z	チ ッ プ セ ラ (F)		01
C0188	US061220	Ceramic Capacitor-CH(chip)	22P 50V J	チ ッ プ セ ラ (C H)		01
C0189	UR847100	Electrolytic Cap.	10.00 25.0V	ケ ミ コ ン		01
C0190	VN509700	Bipolar Electrolytic Cap.	22.00 25.0V	B P ケ ミ コ ン		01
C0191	US063100	Ceramic Capacitor-B(chip)	1000P 50V K	チ ッ プ セ ラ (B)		01
C0192	US061220	Ceramic Capacitor-CH(chip)	22P 50V J	チ ッ プ セ ラ (C H)		01
C0193	UR847100	Electrolytic Cap.	10.00 25.0V	ケ ミ コ ン		01
C0194	VN509700	Bipolar Electrolytic Cap.	22.00 25.0V	B P ケ ミ コ ン		01
C0195	US063100	Ceramic Capacitor-B(chip)	1000P 50V K	チ ッ プ セ ラ (B)		01
C0196	UR847100	Electrolytic Cap.	10.00 25.0V	ケ ミ コ ン		01
C0197	UR847100	Electrolytic Cap.	10.00 25.0V	ケ ミ コ ン		01
CN001	WB288800	Pin Header	2.54mm 16P	ピ ン ヘ ッ ダ ー		
D0101	VT332900	Diode	1SS355 TE-17	ダ イ オ ー ド		01
-0105	VT332900	Diode	1SS355 TE-17	ダ イ オ ー ド		01
D0106	VT532500	Diode	1SR154-400	ダ イ オ ー ド		01
-0112	VT532500	Diode	1SR154-400	ダ イ オ ー ド		01
* IC001	X5929A00	IC	M29LV160BBTC-70G	1	C UB99A, FLASH ROM 16M PROGRAM	
* IC001	X6082A00	IC	M29LV160BBTC-70G	1	C UB99B, FLASH ROM 16M PROGRAM	
* IC001	X5963A00	IC	M29LV160BBTC-70G	1	C UB99MK2, FLASH ROM 16M PROGRAM	
IC002	X4386A00	IC	BS62LV256TC-70	1	C } SRAM 256K	08
IC002	X4388A00	IC	IS62LV256-70T	1	C }	
IC002	X4390A00	IC	CY62256VLL-70ZCT	1	C }	
IC003	X0009A00	IC	S-80128BNMC-JGN	1	C SYSTEM RESET	01
IC004	X4196A00	IC	HD6413008VF25	1	C CPU(MAIN)	08
IC005	XV988B00	IC	YSS910-V	1	C DSP6	09
IC006	X2726A00	IC	GLT440L16-40TC	1	C DRAM 4M	05
IC007	X3921200	IC	M38K07M4L-303HP	1	C CPU(USB)	10
IC008	X3693A00	IC	SN74LV245APWR	1	C TRANSCEIVER	
IC009	X3693A00	IC	SN74LV245APWR	1	C TRANSCEIVER	
IC010	X2726A00	IC	GLT440L16-40TC	1	C DRAM 4M	05
IC101	XC458A00	IC	NJM072M	1	C OP AMP	03
IC102	X4980A00	IC	NJM5532M-TE1	1	C OP AMP	03
IC103	X4980A00	IC	NJM5532M-TE1	1	C OP AMP	03
IC104	XY624A00	IC	AK4528VF	1	C ADC/DAC	08
IC105	X4980A00	IC	NJM5532M-TE1	1	C OP AMP	03
IC106	X4980A00	IC	NJM5532M-TE1	1	C OP AMP	03
IC107	X3936A00	IC	SN74LVU04APWR	1	C INVERTER	
IC108	XS534A00	IC	NJM78M05DL1A(TE1)	1	C REGULATOR +5V	02

*: New Parts

RANK: Japan only

REF NO.	PART NO.	DESCRIPTION	部 品 名	REMARKS	QTY	RANK
IC109	XS534A00	IC	NJM78M05DL1A(TE1)	I C		02
IC110	X3935A00	IC	SN74LV4040APWR	I C	REGULATOR +5V	
IC111	XU965A00	IC	UPC29M33T-E1 3.3V	I C	BINARY COUNTER	
IC112	XD853A00	IC	NJM7815FA	I C	REGULATOR +3.3V	03
IC113	XD854A00	IC	NJM7915FA	I C	REGULATOR +15V	03
IC114	X5049A00	IC	NJM4556AM-TE1	I C	REGULATOR -15V	03
JK001	WC314200	USB Connector	WTEA04006 SE 4P	U S B コ ネ ク タ ー	OP AMP	02
JK101	V3633400	Phone Jack	HTJ-064-12I	ホ ー ン ジャ ッ ク	USB	
JK102	V6177700	Phone Jack	STEREO HTJ-064-12D	ホ ー ン ジャ ッ ク	INPUT	01
JK103	V6177700	Phone Jack	STEREO HTJ-064-12D	ホ ー ン ジャ ッ ク	OUTPUT R	03
JK104	V6177200	Connector	SOCKET HTJ-020-05A	電 源 コ ネ ク タ ー	OUTPUT L/MONO	03
JK105	V7447000	Phone Connector	ST MINI HTJ-035-09	ホ ー ン コ ネ ク タ ー	AC IN	02
K0101	VV075700	Terminal Plate		タ ー ミ ナ ル 金 具	PHONES	01
L0001	VS740100	Chip Inductance	BLM21B751S 2125	チ ッ プ イ ン ダ ク タ		03
-0003	VS740100	Chip Inductance	BLM21B751S 2125	チ ッ プ イ ン ダ ク タ		03
L0101	VH746100	Choke Coil	PLT09HN2003R0P1B 20uH	チ ョ ー ク コ イ ル 2 0 u H		04
LD001	WB990700	LED Red	LT0311-41-XA300089	L E D	-	
LD002	WB990700	LED Red	LT0311-41-XA300089	L E D	ON/OFF	
LD003	WB990700	LED Red	LT0311-41-XA300089	L E D	+	
R0001	RD355100	Carbon Resistor (chip)	100.0 63M J	チ ッ プ 抵 抗		01
R0002	RD357100	Carbon Resistor (chip)	10.0K 63M J	チ ッ プ 抵 抗		01
R0003	RD355100	Carbon Resistor (chip)	100.0 63M J	チ ッ プ 抵 抗		01
R0004	RD153470	Carbon Resistor (chip)	4.7 1/4 J	チ ッ プ 抵 抗		01
R0005	RD355270	Carbon Resistor (chip)	270.0 63M J	チ ッ プ 抵 抗		01
R0006	RD357100	Carbon Resistor (chip)	10.0K 63M J	チ ッ プ 抵 抗		01
R0007	RD357100	Carbon Resistor (chip)	10.0K 63M J	チ ッ プ 抵 抗		01
R0008	RD355220	Carbon Resistor (chip)	220.0 63M J	チ ッ プ 抵 抗		01
R0009	RD357100	Carbon Resistor (chip)	10.0K 63M J	チ ッ プ 抵 抗		01
R0010	RD358100	Carbon Resistor (chip)	100.0K 63M J	チ ッ プ 抵 抗		01
R0011	RD355220	Carbon Resistor (chip)	220.0 63M J	チ ッ プ 抵 抗		01
R0012	RD357100	Carbon Resistor (chip)	10.0K 63M J	チ ッ プ 抵 抗		01
R0013	RD358100	Carbon Resistor (chip)	100.0K 63M J	チ ッ プ 抵 抗		01
R0014	RD355220	Carbon Resistor (chip)	220.0 63M J	チ ッ プ 抵 抗		01
R0015	RD357100	Carbon Resistor (chip)	10.0K 63M J	チ ッ プ 抵 抗		01
R0016	RD358100	Carbon Resistor (chip)	100.0K 63M J	チ ッ プ 抵 抗		01
R0017	RD357330	Carbon Resistor (chip)	33.0K 63M J	チ ッ プ 抵 抗		01
R0018	RD355560	Carbon Resistor (chip)	560.0 63M J	チ ッ プ 抵 抗		01
R0019	RD354270	Carbon Resistor (chip)	27.0 63M J	チ ッ プ 抵 抗		01
R0020	RD354270	Carbon Resistor (chip)	27.0 63M J	チ ッ プ 抵 抗		01
R0021	RD356220	Carbon Resistor (chip)	2.2K 63M J	チ ッ プ 抵 抗		01
R0022	RD356270	Carbon Resistor (chip)	2.7K 63M J	チ ッ プ 抵 抗		01
R0023	RD357470	Carbon Resistor (chip)	47.0K 63M J	チ ッ プ 抵 抗		01
R0024	RD356100	Carbon Resistor (chip)	1.0K 63M J	チ ッ プ 抵 抗		01
R0025	RD354680	Carbon Resistor (chip)	68.0 63M J	チ ッ プ 抵 抗		01
R0026	RD354680	Carbon Resistor (chip)	68.0 63M J	チ ッ プ 抵 抗		01
R0027	RD356100	Carbon Resistor (chip)	1.0K 63M J	チ ッ プ 抵 抗		01
R0028	RD357100	Carbon Resistor (chip)	10.0K 63M J	チ ッ プ 抵 抗		01
R0029	RD356150	Carbon Resistor (chip)	1.5K 63M J	チ ッ プ 抵 抗		01
R0030	RD357470	Carbon Resistor (chip)	47.0K 63M J	チ ッ プ 抵 抗		01
-0032	RD357470	Carbon Resistor (chip)	47.0K 63M J	チ ッ プ 抵 抗		01
R0033	RD355100	Carbon Resistor (chip)	100.0 63M J	チ ッ プ 抵 抗		01
-0060	RD355100	Carbon Resistor (chip)	100.0 63M J	チ ッ プ 抵 抗		01
R0061	RD359100	Carbon Resistor (chip)	1.0M 63M J	チ ッ プ 抵 抗		01
-0068	RD359100	Carbon Resistor (chip)	1.0M 63M J	チ ッ プ 抵 抗		01
R0069	RD250000	Carbon Resistor (chip)	0.0 0.0 J	チ ッ プ 抵 抗		01
-0080	RD250000	Carbon Resistor (chip)	0.0 0.0 J	チ ッ プ 抵 抗		01
R0081	RD355100	Carbon Resistor (chip)	100.0 63M J	チ ッ プ 抵 抗		01
R0082	RD355100	Carbon Resistor (chip)	100.0 63M J	チ ッ プ 抵 抗		01
R0101	RD357100	Carbon Resistor (chip)	10.0K 63M J	チ ッ プ 抵 抗		01
R0102	RD359100	Carbon Resistor (chip)	1.0M 63M J	チ ッ プ 抵 抗		01
R0103	RD356470	Carbon Resistor (chip)	4.7K 63M J	チ ッ プ 抵 抗		01
R0104	RD356470	Carbon Resistor (chip)	4.7K 63M J	チ ッ プ 抵 抗		01
R0105	RD357220	Carbon Resistor (chip)	22.0K 63M J	チ ッ プ 抵 抗		01
R0106	RD357120	Carbon Resistor (chip)	12.0K 63M J	チ ッ プ 抵 抗		01
R0107	RD357100	Carbon Resistor (chip)	10.0K 63M J	チ ッ プ 抵 抗		01
R0108	RD357100	Carbon Resistor (chip)	10.0K 63M J	チ ッ プ 抵 抗		01
R0109	RF457100	Carbon Resistor (chip)	10.0K D	チ ッ プ 抵 抗		01
R0110	RF457220	Carbon Resistor (chip)	22.0K D	チ ッ プ 抵 抗		01
R0111	RF456330	Carbon Resistor (chip)	3.3K D	チ ッ プ 抵 抗		01
R0112	RD356470	Carbon Resistor (chip)	4.7K 63M J	チ ッ プ 抵 抗		01
R0113	RD356470	Carbon Resistor (chip)	4.7K 63M J	チ ッ プ 抵 抗		01
R0114	RD355330	Carbon Resistor (chip)	330.0 63M J	チ ッ プ 抵 抗		01
R0115	RD355330	Carbon Resistor (chip)	330.0 63M J	チ ッ プ 抵 抗		01
R0116	RF457100	Carbon Resistor (chip)	10.0K D	チ ッ プ 抵 抗		01
R0117	RF455470	Carbon Resistor (chip)	470.0 D	チ ッ プ 抵 抗		01

*: New Parts

RANK: Japan only

REF NO.	PART NO.	DESCRIPTION	部 品 名	REMARKS	QTY	RANK
R0118	RF456270	Carbon Resistor (chip)	2.7K D	チ ッ プ 抵 抗		01
R0119	RD356470	Carbon Resistor (chip)	4.7K 63M J	チ ッ プ 抵 抗		01
R0120	RD356470	Carbon Resistor (chip)	4.7K 63M J	チ ッ プ 抵 抗		01
R0121	RD355330	Carbon Resistor (chip)	330.0 63M J	チ ッ プ 抵 抗		01
R0122	RD355330	Carbon Resistor (chip)	330.0 63M J	チ ッ プ 抵 抗		01
R0123	RD356330	Carbon Resistor (chip)	3.3K 63M J	チ ッ プ 抵 抗		01
R0124	RD356470	Carbon Resistor (chip)	4.7K 63M J	チ ッ プ 抵 抗		01
R0125	RD153470	Carbon Resistor (chip)	4.7 1/4 J	チ ッ プ 抵 抗		01
R0126	RD356470	Carbon Resistor (chip)	4.7K 63M J	チ ッ プ 抵 抗		01
-0129	RD356470	Carbon Resistor (chip)	4.7K 63M J	チ ッ プ 抵 抗		01
R0130	RD355200	Carbon Resistor (chip)	200.0 63M J	チ ッ プ 抵 抗		01
R0131	RD355200	Carbon Resistor (chip)	200.0 63M J	チ ッ プ 抵 抗		01
R0132	RD356100	Carbon Resistor (chip)	1.0K 63M J	チ ッ プ 抵 抗		01
R0133	RD357100	Carbon Resistor (chip)	10.0K 63M J	チ ッ プ 抵 抗		01
R0134	RD356100	Carbon Resistor (chip)	1.0K 63M J	チ ッ プ 抵 抗		01
R0135	RD358100	Carbon Resistor (chip)	100.0K 63M J	チ ッ プ 抵 抗		01
R0136	RD356220	Carbon Resistor (chip)	2.2K 63M J	チ ッ プ 抵 抗		01
R0137	RD357100	Carbon Resistor (chip)	10.0K 63M J	チ ッ プ 抵 抗		01
R0138	RD355470	Carbon Resistor (chip)	470.0 63M J	チ ッ プ 抵 抗		01
R0139	RD357100	Carbon Resistor (chip)	10.0K 63M J	チ ッ プ 抵 抗		01
R0140	RD358100	Carbon Resistor (chip)	100.0K 63M J	チ ッ プ 抵 抗		01
R0141	RD356470	Carbon Resistor (chip)	4.7K 63M J	チ ッ プ 抵 抗		01
-0144	RD356470	Carbon Resistor (chip)	4.7K 63M J	チ ッ プ 抵 抗		01
R0145	RD355200	Carbon Resistor (chip)	200.0 63M J	チ ッ プ 抵 抗		01
R0146	RD355200	Carbon Resistor (chip)	200.0 63M J	チ ッ プ 抵 抗		01
R0147	RD356100	Carbon Resistor (chip)	1.0K 63M J	チ ッ プ 抵 抗		01
R0148	RD357100	Carbon Resistor (chip)	10.0K 63M J	チ ッ プ 抵 抗		01
R0149	RD356100	Carbon Resistor (chip)	1.0K 63M J	チ ッ プ 抵 抗		01
R0150	RD358100	Carbon Resistor (chip)	100.0K 63M J	チ ッ プ 抵 抗		01
R0151	RD356220	Carbon Resistor (chip)	2.2K 63M J	チ ッ プ 抵 抗		01
R0152	RD357100	Carbon Resistor (chip)	10.0K 63M J	チ ッ プ 抵 抗		01
R0153	RD355470	Carbon Resistor (chip)	470.0 63M J	チ ッ プ 抵 抗		01
R0154	RD357100	Carbon Resistor (chip)	10.0K 63M J	チ ッ プ 抵 抗		01
R0155	RD358100	Carbon Resistor (chip)	100.0K 63M J	チ ッ プ 抵 抗		01
R0156	RD356220	Carbon Resistor (chip)	2.2K 63M J	チ ッ プ 抵 抗		01
R0157	RD356220	Carbon Resistor (chip)	2.2K 63M J	チ ッ プ 抵 抗		01
R0158	RD357100	Carbon Resistor (chip)	10.0K 63M J	チ ッ プ 抵 抗		01
R0159	RD358100	Carbon Resistor (chip)	100.0K 63M J	チ ッ プ 抵 抗		01
R0160	RD357220	Carbon Resistor (chip)	22.0K 63M J	チ ッ プ 抵 抗		01
R0161	RD358100	Carbon Resistor (chip)	100.0K 63M J	チ ッ プ 抵 抗		01
R0162	RD356220	Carbon Resistor (chip)	2.2K 63M J	チ ッ プ 抵 抗		01
R0163	RD358100	Carbon Resistor (chip)	100.0K 63M J	チ ッ プ 抵 抗		01
R0164	RD358100	Carbon Resistor (chip)	100.0K 63M J	チ ッ プ 抵 抗		01
R0165	RD355680	Carbon Resistor (chip)	680.0 63M J	チ ッ プ 抵 抗		01
R0166	RD355220	Carbon Resistor (chip)	220.0 63M J	チ ッ プ 抵 抗		01
R0167	RD355100	Carbon Resistor (chip)	100.0 63M J	チ ッ プ 抵 抗		01
-0170	RD355100	Carbon Resistor (chip)	100.0 63M J	チ ッ プ 抵 抗		01
R0171	RD359100	Carbon Resistor (chip)	1.0M 63M J	チ ッ プ 抵 抗		01
R0172	RD355470	Carbon Resistor (chip)	470.0 63M J	チ ッ プ 抵 抗		01
R0173	RD357100	Carbon Resistor (chip)	10.0K 63M J	チ ッ プ 抵 抗		01
R0174	RD355470	Carbon Resistor (chip)	470.0 63M J	チ ッ プ 抵 抗		01
R0175	RD357100	Carbon Resistor (chip)	10.0K 63M J	チ ッ プ 抵 抗		01
R0176	VC744600	Metal Oxide Film Resistor	68.0 1W J	酸 化 金 属 被 膜 抵 抗		01
R0177	VC744600	Metal Oxide Film Resistor	68.0 1W J	酸 化 金 属 被 膜 抵 抗		01
R0178	VC757300	Metal Oxide Film Resistor	27.0 2W J	酸 化 金 属 被 膜 抵 抗		01
R0179	RD357100	Carbon Resistor (chip)	10.0K 63M J	チ ッ プ 抵 抗		01
R0180	RD356100	Carbon Resistor (chip)	1.0K 63M J	チ ッ プ 抵 抗		01
R0181	RD155150	Carbon Resistor (chip)	150.0 1/4 J	チ ッ プ 抵 抗		01
R0182	RD358100	Carbon Resistor (chip)	100.0K 63M J	チ ッ プ 抵 抗		01
R0183	RD357100	Carbon Resistor (chip)	10.0K 63M J	チ ッ プ 抵 抗		01
R0184	RD356100	Carbon Resistor (chip)	1.0K 63M J	チ ッ プ 抵 抗		01
R0185	RD155150	Carbon Resistor (chip)	150.0 1/4 J	チ ッ プ 抵 抗		01
R0186	RD358100	Carbon Resistor (chip)	100.0K 63M J	チ ッ プ 抵 抗		01
RA001	RE047100	Resistor Array	10KX4	抵 抗 ア レ イ		01
-010	RE047100	Resistor Array	10KX4	抵 抗 ア レ イ		01
SW001	KA901660	Push Switch	SKHCABA010	プ ッ シ ュ S W	-	02
SW002	KA901660	Push Switch	SKHCABA010	プ ッ シ ュ S W	ON/OFF,AUTO F.R.	02
SW003	KA901660	Push Switch	SKHCABA010	プ ッ シ ュ S W	+	02
SW004	WC330800	Tact Switch	TAA-4PV073-130	タ ク ト S W	STORE/EXIT	01
SW101	WC402300	Slide Switch	SSSF122NA2-AA	ス ラ イ ド S W	INPUT LEVEL HIGH/LOW	02
TR001	VV556400	Transistor	2SC2412K Q,R,S	ト ラ ン ジ ス タ		01
-004	VV556400	Transistor	2SC2412K Q,R,S	ト ラ ン ジ ス タ		01
TR005	VJ927200	Transistor	2SA1162 O,Y	ト ラ ン ジ ス タ		01
TR101	VD303700	Transistor	2SC3326 A,B TE85R	ト ラ ン ジ ス タ		01
-104	VD303700	Transistor	2SC3326 A,B TE85R	ト ラ ン ジ ス タ		01

*: New Parts

RANK: Japan only

REF NO.	PART NO.	DESCRIPTION	部 品 名	REMARKS	QTY	RANK
TR105	VV556400	Transistor	2SC2412K Q,R,S	ト ラ ン ジ ス タ		01
TR106	VJ927200	Transistor	2SA1162 O,Y	ト ラ ン ジ ス タ		01
TR107	VD303700	Transistor	2SC3326 A,B TE85R	ト ラ ン ジ ス タ		01
TR108	VD303700	Transistor	2SC3326 A,B TE85R	ト ラ ン ジ ス タ		01
VR001	WB445700	Rotary Variable Resistor	RD09L1140 10KB	ロ ー タ リ ー ヴ R	CONTROL 1	03
VR002	WB445700	Rotary Variable Resistor	RD09L1140 10KB	ロ ー タ リ ー ヴ R	CONTROL 2	03
VR003	WB445700	Rotary Variable Resistor	RD09L1140 10KB	ロ ー タ リ ー ヴ R	CONTROL 3	03
VR101	WB446200	Rotary Variable Resistor	RD09L12D0 10KA X2	二 連 ロ ー タ リ ー ヴ R	VOLUME	03
X0001	WA692500	Quartz Crystal Unit	30.0MHz SMD5X7SPXO	水 晶 発 振 器		
X0002	WC402600	Quartz Crystal Unit	16.0MHz HC-49SMD	水 晶 振 動 子		
X0003	WC402500	Quartz Crystal Unit	6.0MHz HC-49SMD	水 晶 振 動 子		
X0101	WC402400	Quartz Crystal Unit	22.5792MHz HC-49SMD	水 晶 振 動 子		
ZD101	V9242500	Zener Diode	HZU2.0B 2.0V	ツ ェ ナ ー ダイ オ ード		
ZD102	V9242500	Zener Diode	HZU2.0B 2.0V	ツ ェ ナ ー ダイ オ ード		
ZD103	VU173000	Zener Diode	UDZS 15B TE-17 15V	ツ ェ ナ ー ダイ オ ード		01
ZD104	VU173000	Zener Diode	UDZS 15B TE-17 15V	ツ ェ ナ ー ダイ オ ード		01
△	V5883000	AC Adaptor	AC-10 U,C	A C ア ダ プ タ ー	U,C	08
△	V5883100	AC Adaptor	AC-10 H	A C ア ダ プ タ ー	H	08

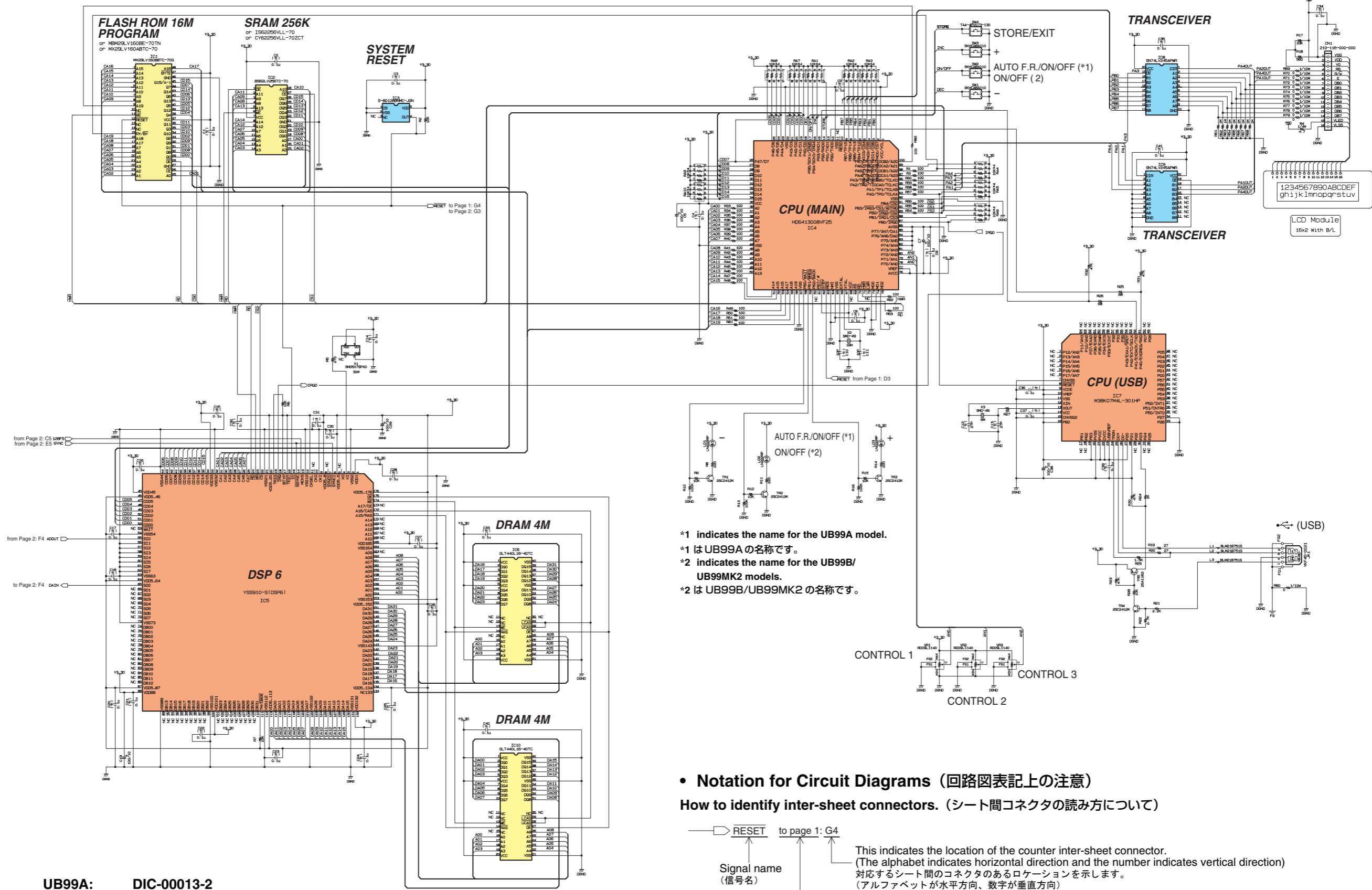
*: New Parts

RANK: Japan only

UB99A/UB99B/UB99MK2 DM CIRCUIT DIAGRAM 1/2

(セ): Ceramic Capacitor (セラミックコンデンサー)
 酸金: Metal Oxide Film Resistor (酸化金属被膜抵抗)

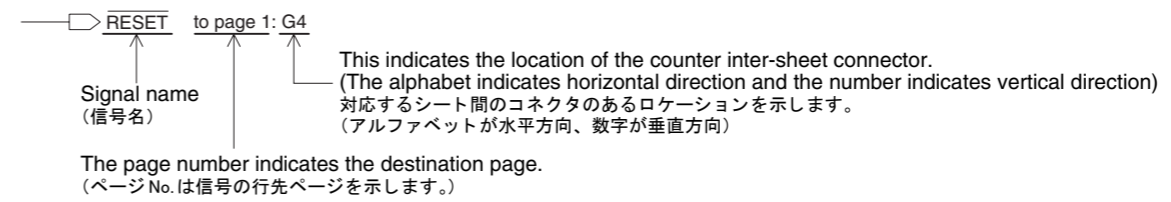
UB99A/UB99B/UB99MK2



*1 indicates the name for the UB99A model.
 *1 は UB99A の名称です。
 *2 indicates the name for the UB99B/
 UB99MK2 models.
 *2 は UB99B/UB99MK2 の名称です。

• Notation for Circuit Diagrams (回路図表記上の注意)

How to identify inter-sheet connectors. (シート間コネクタの読み方について)



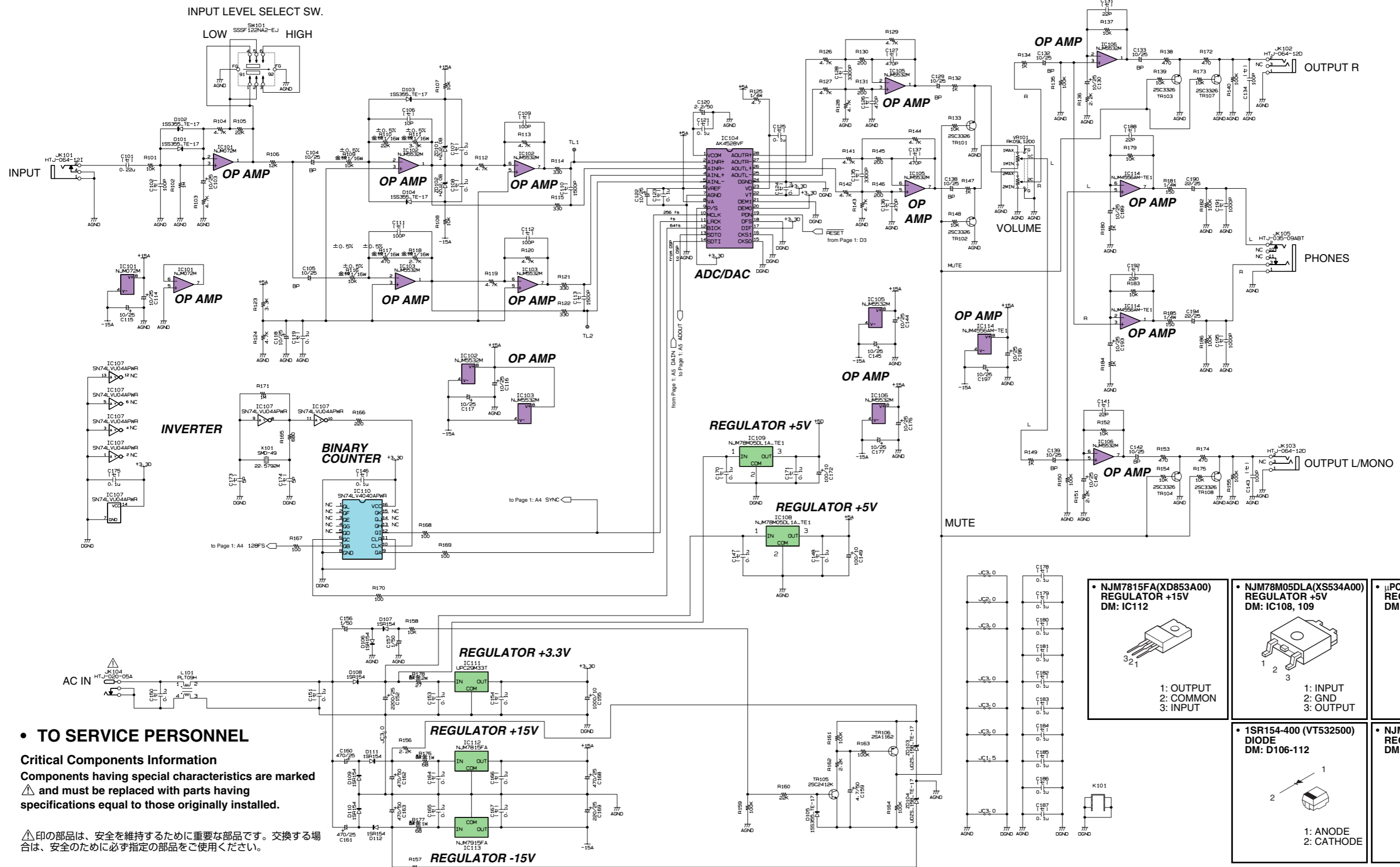
UB99A: DIC-00013-2
 UB99B: DIC-00021-2
 UB99MK2: DIC-00016-2

1
 2
 3
 4
 5
 6
 7
 8

UB99A/UB99B/UB99MK2 DM CIRCUIT DIAGRAM 2/2

(セ) : Ceramic Capacitor (セラミックコンデンサー)
 酸化 : Metal Oxide Film Resistor (酸化金属被膜抵抗)
 金被 1/16 W : Carbon Resistor (chip) (チップ抵抗)

UB99A/UB99B/UB99MK2



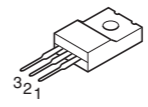
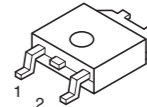
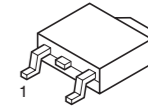
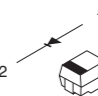
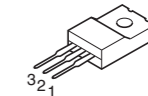
TO SERVICE PERSONNEL

Critical Components Information

Components having special characteristics are marked and must be replaced with parts having specifications equal to those originally installed.

印の部品は、安全を維持するために重要な部品です。交換する場合は、安全のために必ず指定の部品をご使用ください。

UB99A: DIC-00013-3
 UB99B: DIC-00021-3
 UB99MK2: DIC-00016-3

 <p>1: OUTPUT 2: COMMON 3: INPUT</p>	 <p>1: INPUT 2: GND 3: OUTPUT</p>	 <p>1: INPUT 2: COMMON 3: OUTPUT</p>
 <p>1: ANODE 2: CATHODE</p>	 <p>1: OUTPUT 2: INPUT 3: COMMON</p>	