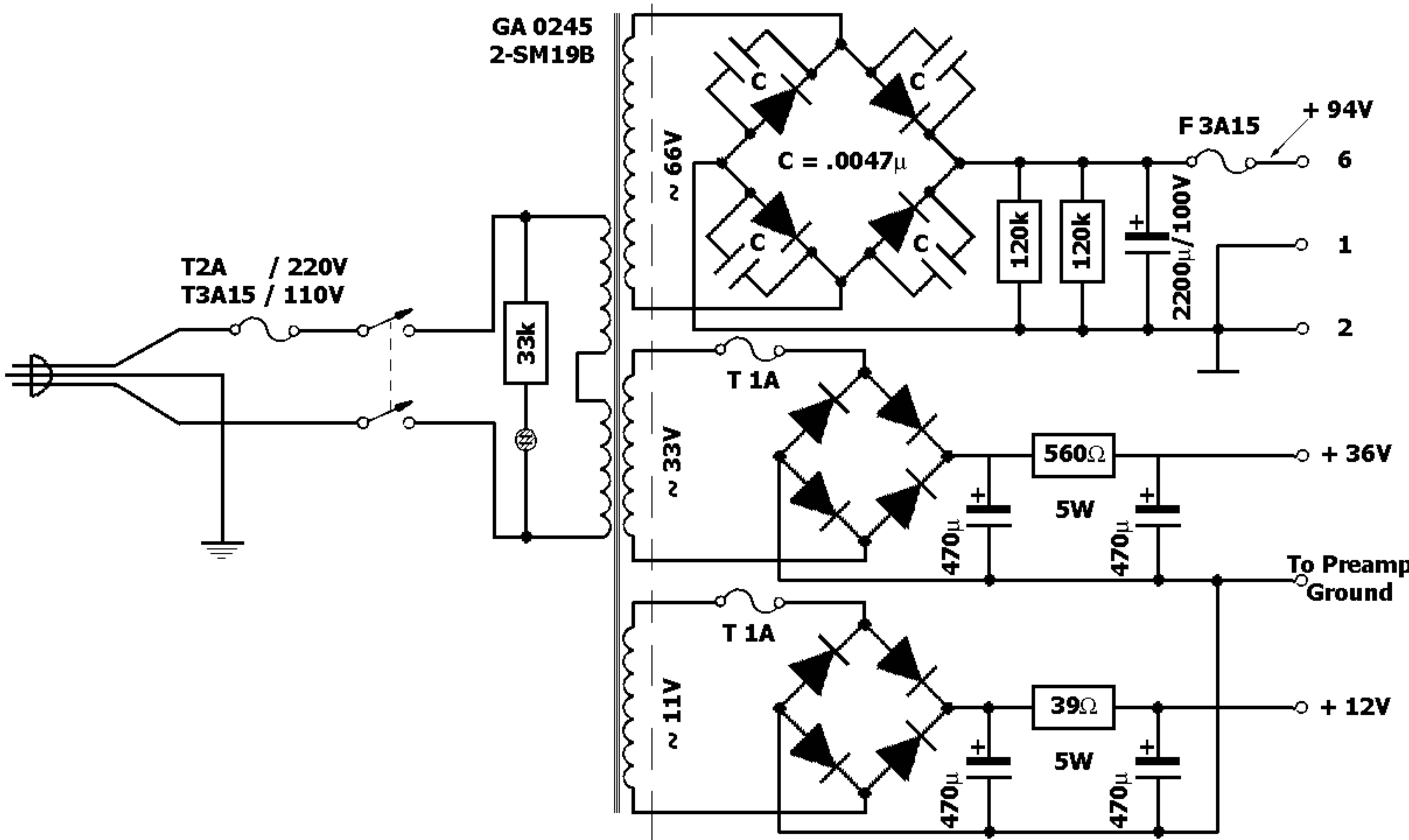
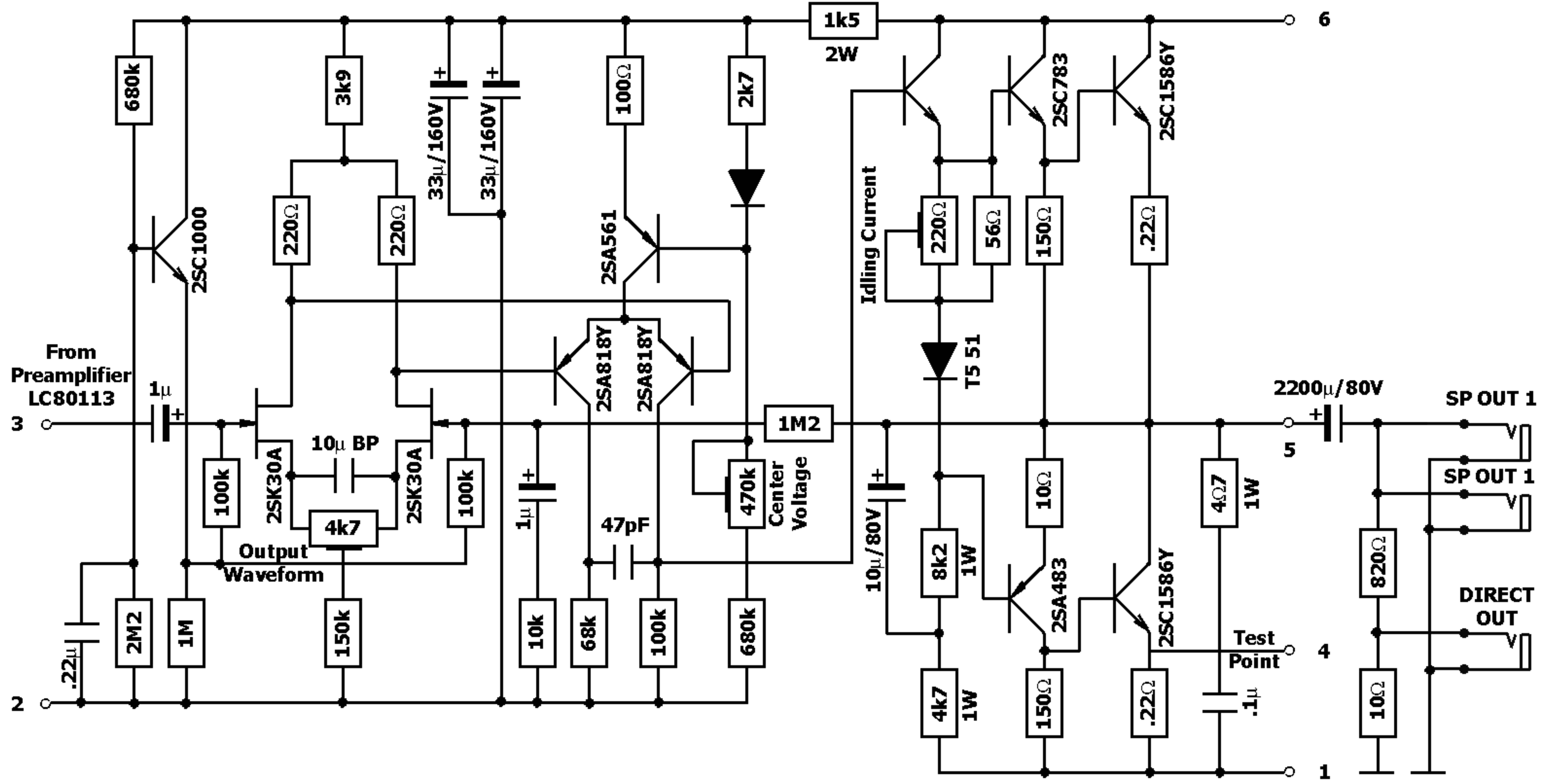


4. Channel 2 PCB are LC80113  
 3. Channel 1 PCB are LC80123  
 2. All resistors are 1/4 W  
 1. All transistors are 2SC1000; 2SC1681GR  
 Notes: Unless otherwise specified

<b>Yamaha</b>		
<b>G100-212 I</b>		
<b>Preamp</b>		
DRAWN	DATE	S/N
<i>Kiki</i>	2003/07/16	



2. Power Amplifier PCB are LC82080  
 1. Power Supply PCB are LC15965  
 Notes: Unless otherwise specified

<b>Yamaha</b>		
<b>G100-212 I</b>		
<b>Preamplifier</b>		
DRAWN	DATE	S/N
<i>Kiki</i>	2003/07/16	