

POWERED MIXER

EMX 3000

SERVICE MANUAL



■ CONTENTS


SPECIFICATIONS	3/5
PANEL LAYOUT	7
CIRCUIT BOARD LAYOUT	10
WIRING	11
DIMENSIONS	11
BLOCK & LEVEL DIAGRAM	12
DISASSEMBLY PROCEDURE	14
LSI PIN DESCRIPTION	17
IC BLOCK DIAGRAM	19
CIRCUIT BOARDS	20
INSPECTIONS	27/33
CIRCUIT DIAGRAMS	C1
PARTS LIST	

This document is printed on chlorine free (ECF) paper with soy ink.

PA 011569

20010501-135000

 **YAMAHA**
HAMAMATSU, JAPAN

1.389K-0221 FT  Printed in Japan 2001.4

IMPORTANT NOTICE

This manual has been provided for the use of authorized Yamaha Retailers and their service personnel. It has been assumed that basic service procedures inherent to the industry, and more specifically Yamaha Products, are already known and understood by the users, and have therefore not been restated.

WARNING : Failure to follow appropriate service and safety procedures when servicing this product may result in personal injury, destruction of expensive components and failure of the product to perform as specified. For these reasons, we advise all Yamaha product owners that all service required should be performed by an authorized Yamaha Retailer or the appointed service representative.

IMPORTANT : This presentation or sale of this manual to any individual or firm does not constitute authorization certification, recognition of any applicable technical capabilities, or establish a principal-agent relationship of any form.

The data provided is believed to be accurate and applicable to the unit(s) indicated on the cover. The research engineering, and service departments of Yamaha are continually striving to improve Yamaha products. Modifications are, therefore, inevitable and changes in specification are subject to change without notice or obligation to retrofit. Should any discrepancy appear to exist, please contact the distributor's Service Division.

WARNING : Static discharges can destroy expensive components. Discharge any static electricity your body may have accumulated by grounding yourself to the ground bus in the unit (heavy gauge black wires connect to this bus.)

IMPORTANT : Turn the unit OFF during disassembly and parts replacement. Recheck all work before you apply power to the unit.

WARNING: CHEMICAL CONTENT NOTICE!

The solder used in the production of this product contains LEAD. In addition, other electrical/electronic and/or plastic (Where applicable) components may also contain traces of chemicals found by the California Health and Welfare Agency (and possibly other entities) to cause cancer and/or birth defects or other reproductive harm.

DO NOT PLACE SOLDER, ELECTRICAL/ELECTRONIC OR PLASTIC COMPONENTS IN YOUR MOUTH FOR ANY REASON WHAT SO EVER!

Avoid prolonged, unprotected contact between solder and your skin! When soldering, do not inhale solder fumes or expose eyes to solder/flux vapor!

If you come in contact with solder or components located inside the enclosure of this product, wash your hands before handling food.


WARNING: THIS APPARATUS MUST BE EARTHED

IMPORTANT

THE WIRES IN THIS MAINS LEAD ARE COLOURED IN ACCORDANCE WITH THE FOLLOWING CODE:

GREEN-AND-YELLOW :	EARTH
BLUE :	NEUTRAL
BROWN :	LIVE

As the colours of the wires in the mains lead of this apparatus may not correspond with the coloured markings identifying the terminals in your plug, proceed as follows:


The wire which is coloured GREEN and YELLOW must be connected to the terminal in the plug which is marked by the letter E or by the safety earth symbol  or coloured GREEN and YELLOW.

The wire which is coloured BLUE must be connected to the terminal which is marked with the letter N or coloured BLACK.

The wire which is coloured BROWN must be connected to the terminal which is marked with the letter L or coloured RED.

* This applies only to products distributed by YAMAHA KEMBLE MUSIC (U.K.) LTD.

■ WARNING

Components having special characteristics are marked  and must be replaced with parts having specification equal to those originally installed.

SPECIFICATIONS

● General specifications

Maximum output power	STEREO: 300 W+300 W/4Ω @0.5% THD at 1 kHz 215 W+215 W/8Ω @0.5% THD at 1 kHz BRIDGE: 600 W/8Ω @0.5% THD at 1 kHz	
Frequency response	20 Hz~20 kHz +1 dB, -3 dB @1 W output into 8Ω (SPEAKER OUT)	Channel Gain control at minimum.
	20 Hz~20 kHz +1 dB, -3 dB @+4 dB output into 600Ω (ST OUT, MONO OUT, EFFECT SEND, MONITOR OUT)	Channel Gain control at minimum.
Total harmonic distortion	Less than 0.5% @20 Hz~20 kHz, 150 W output into 4Ω (SPEAKER OUT) Less than 0.3% @20 Hz~20 kHz, +14 dB output into 600Ω (ST OUT, MONO OUT, EFFECT SEND, MONITOR OUT)	
Hum & noise (Average, Rs=150Ω) (with 20 Hz~20 kHz BPF)	-128 dB equivalent input noise -63 dB residual output noise (SPEAKER OUT)	
	-95 dB residual output noise (ST OUT, MONO OUT, EFFECT SEND, MONITOR OUT)	
	-87 dB (ST OUT, MONO OUT)	ST master/MONO master fader at maximum level and all channel fader at minimum.
	-64 dB (68 dB S/N) (ST OUT, MONO OUT)	ST master/MONO master fader and 1 channel fader at maximum level. And 1 channel Gain control at maximum.
Maximum voltage gain	91 dB MIC IN to SPEAKER OUT (CH 1~8)	
	64 dB MIC IN to ST OUT (CH 1~8)	
	38 dB LINE IN to ST OUT (CH 1~8)	
	38 dB ST IN to ST OUT (CH 9/10, 11/12)	
	70 dB MIC IN to EFFECT SEND (CH 1~8)	
	64 dB MIC IN to MONITOR OUT (CH 1~8)	
Crosstalk at 1 kHz	-70 dB adjacent input, -70 dB input to output	
MIC IN gain control	44 dB variable	
POWER AMP level control	14 dB variable	
Input channel equalization	HIGH 10 kHz shelving* MID 2.5 kHz peaking LOW 100 Hz shelving* * Turn over/roll off frequency of shelving: 3 dB below maximum variable level.	
Meters	13 points LED meter	
CH peak indicators	Red LED on each channel lits when POST EQ signal reaches the level -3 dB below clipping.	
Limiter	Comp. : THD≥0.5%	
LIMIT indicators	Turn on THD≥0.5%	
Graphic equalizer	7 bands (125, 250, 500, 1k, 2k, 4k, 8k Hz), ±12 dB Maximum	
Internal digital effect	16 programs, PARAMETER control	
Foot switch	Digital effect mute: on/off	
Protection circuit (Power amp)	POWER switch on/off mute, DC detection, TEMP (heatsink temp. ≥90°C)	
Fan circuit	stop — low speed (50°C) — variable — high speed (70°C)	
Phantom power	+48 V is supplied to electrically balanced inputs.	
Option	FC5 (Foot switch)	
Power requirement/ Power consumption	USA and Canada: 120 V AC 60 Hz, 250 W Europe: 230 V AC 50 Hz, 300 W Other: 240 V AC 50 Hz, 300 W	
Dimensions (WxHxD)	480×125×454 mm	
Weight	16 kg	
Accessories	Power cord, Owner's Manual	

● Input specifications

Input terminals	Gain trim	Actual load impedance	For use with nominal	Input level		Connectors on mixer
				Sensitivity ¹	Max. before clip	
MIC INPUT (1–8)	MAX MIN	5 k Ω	50–600 Ω Mics	–60 dB (775 μ V) –16 dB (123 mV)	–40 dB (7.75 mV) +4 dB (1.23 V)	XLR-3-31 type ²
LINE INPUT (1–8)	MAX MIN	50 k Ω	600 Ω Lines	–34 dB (15.5 mV) +10 dB (2.45 V)	–14 dB (155 mV) +30 dB (24.5 V)	PHONE JACK (TRS) ²
ST INPUT (9–12)	MAX MIN	10 k Ω		–34 dB (15.5 mV) +10 dB (2.45 V)	–14 dB (155 mV) +30 dB (24.5 V)	PHONE JACK ³
ST SUB IN (1, 2)				+4 dB (1.23 V)	+20 dB (7.75 V)	
TAPE IN (L, R)				–10 dBV (316 mV)	+10 dBV (3.16 V)	PHONO JACK
CH INSERT IN (1–4)				0 dB (775 mV)	+20 dB (7.75 V)	PHONE JACK (I/O) ⁴
POWER AMP IN (L, R)				+4 dB (1.23 V) ⁵	+18 dB (6.16 V) ⁵	PHONE JACK ³

- Sensitivity is the lowest level that can produce an output of +4 dB (1.23 V) or the nominal output level when the unit is set at maximum gain. (All fader and level controls are at maximum position.)
- Balanced. (T=HOT, R=COLD, S=GND)
- Unbalanced.
- Unbalanced. (T=OUT, R=IN, S=GND)
- POWER AMP level control= maximum (+4)
 - In these specifications when dB represents a specific voltage, 0 dB is referenced to 0.775 Vrms, 0 dBV is referenced to 1 Vrms.

● Output specifications

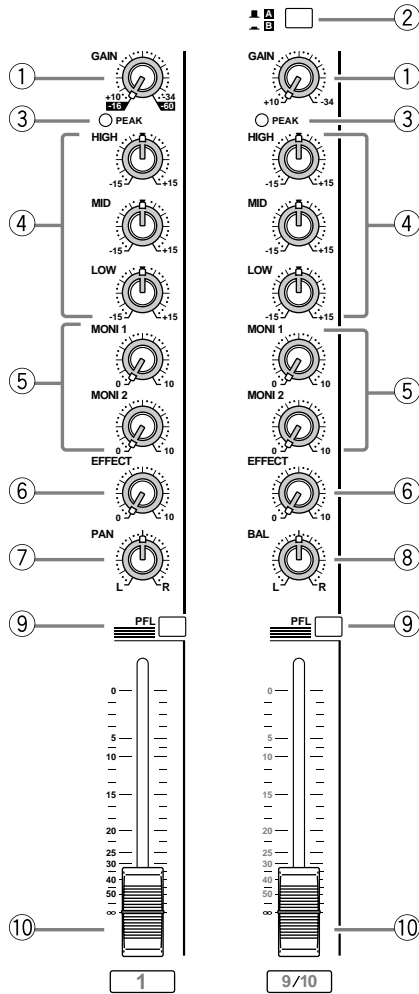
Output terminals	Actual source impedance	For use with nominal	Output level		Connectors on mixer
			Nominal	Max. before clipping	
ST OUT 1, 2 (L/R)	150 Ω	600 Ω Lines	+4 dB (1.23 V)	+20 dB (7.75 V)	PHONE JACK (TRS) ¹
MONO OUT					
EFFECT SEND					
MONITOR OUT 1, 2					
REC OUT (L/R)	600 Ω	10 k Ω Lines	–10 dBV (316 mV)	+10 dBV (3.16 V)	PHONO JACK
CH INSERT OUT (1–4)			0 dB (775 mV)	+20 dB (7.75 V)	PHONE JACK (I/O) ²
C-R/PHONES OUT	for PHONES	40 Ω Phones	3 mW	100 mW	ST PHONE JACK ³
	for C-R OUT	10 k Ω Lines	+4 dB (1.23 V)	+20 dB (7.75 V)	
SPEAKER OUT 1, 2 (L/R)	0.1 Ω	4/8 Ω Speaker	300 W/4		PHONE JACK ⁴
BRIDGE OUT		8 Ω Speaker	600 W/8		PHONE JACK ⁵

- Impedance balanced. (T=HOT, R=COLD, S=GND)
- Unbalanced. (T=OUT, R=IN, S=GND)
- Unbalanced. (T=L, R=R, S=GND)
- Unbalanced.
- Balanced. (T=HOT, S=COLD)
 - In these specifications when dB represents a specific voltage, 0 dB is referenced to 0.775 Vrms, 0 dBV is referenced 1 Vrms.

PANEL LAYOUT

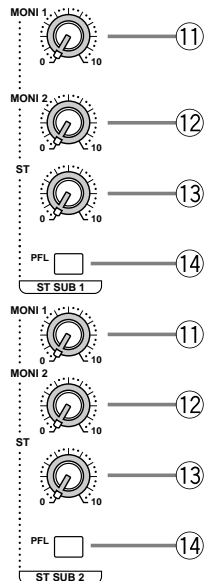
Control Panel

• Channel Control Section



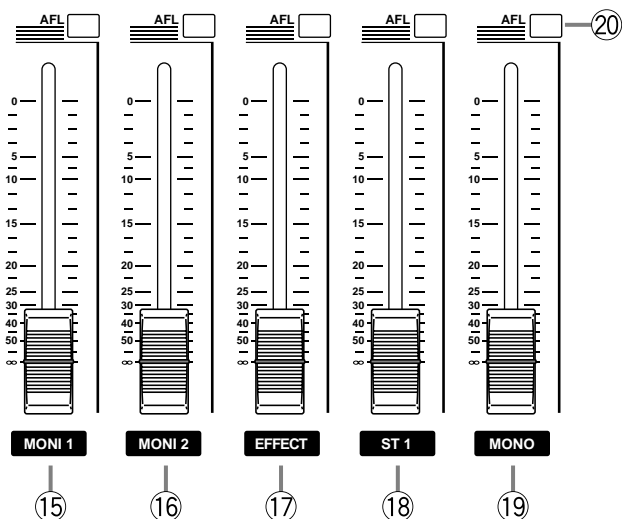
- ① GAIN control
- ② A/B switch (Channels 9/10~11/12 only)
- ③ PEAK indicator
- ④ Equalizer controls (HIGH, MID, LOW)
- ⑤ Monitor 1/2 controls (MONI 1/2)
- ⑥ Effect control (EFFECT)
- ⑦ PAN (panpot) control (Channels 1~8)
- ⑧ BAL (balance) control (Channels 9/10~11/12)
- ⑨ PFL (pre-fader listen) switch
- ⑩ Channel fader

• Stereo Sub Input Section



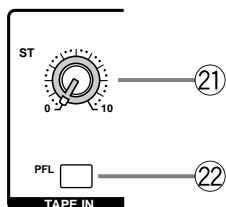
- ⑪ MONI 1 (monitor 1) control
- ⑫ MONI 2 (monitor 2) control
- ⑬ ST (stereo) control
- ⑭ PFL (pre-fader listen) switch

• Master Control Section



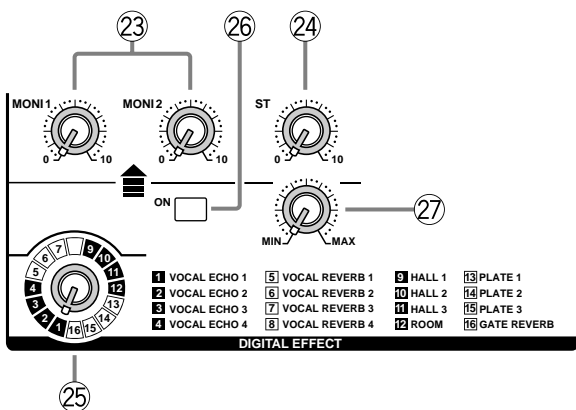
- ⑮ MONI 1 (monitor 1) fader
- ⑯ MONI 2 (monitor 2) fader
- ⑰ EFFECT fader
- ⑱ ST 1 (stereo 1) fader
- ⑲ MONO (monaural) fader
- ⑳ AFL (after fader listen)

• Tape in Section

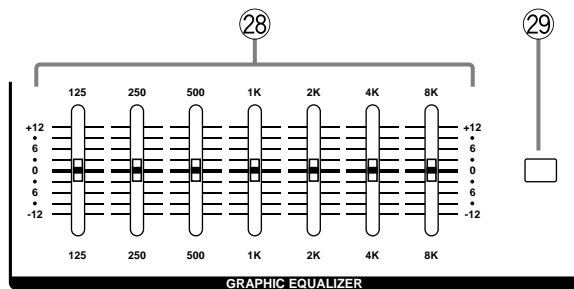


- ⑳ ST (stereo) control
- ㉑ PFL (pre-fader listen) switch

• Digital effect Section



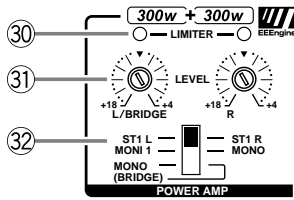
• Graphic equalizer Section



- ㉒ Graphic equalizer
- ㉓ ON switch

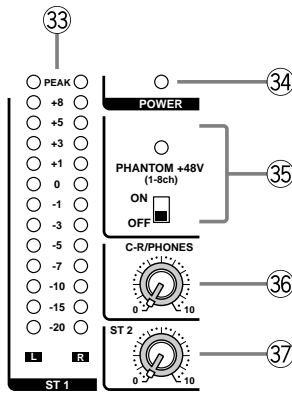
- ㉔ MONI 1/2 (monitor 1/2) control
- ㉕ ST (stereo) control
- ㉖ PROGRAM selector
- ㉗ ON switch
- ㉘ PARAMETER control

• Power amp Section



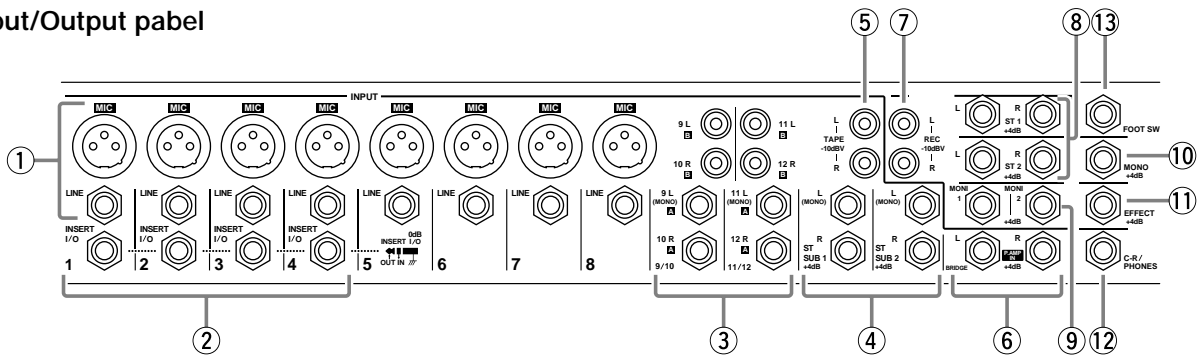
- ③⑩ LIMITER indicator
- ③⑪ LEVEL controls
- ③⑫ Power amp select switch

• Other indicators and controls



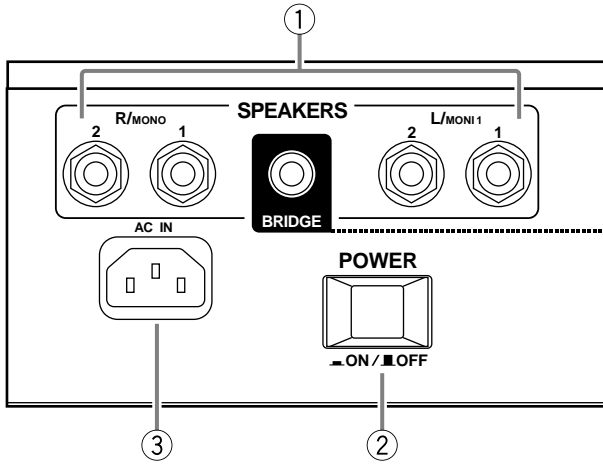
- ③③ Peak level indicator
- ③④ POWER indicator
- ③⑤ PHANTOM (+48V) switch and indicator
- ③⑥ C-R/PHONES (control room/headphones) control
- ③⑦ ST 2 (stereo 2) control

• Input/Output pabel



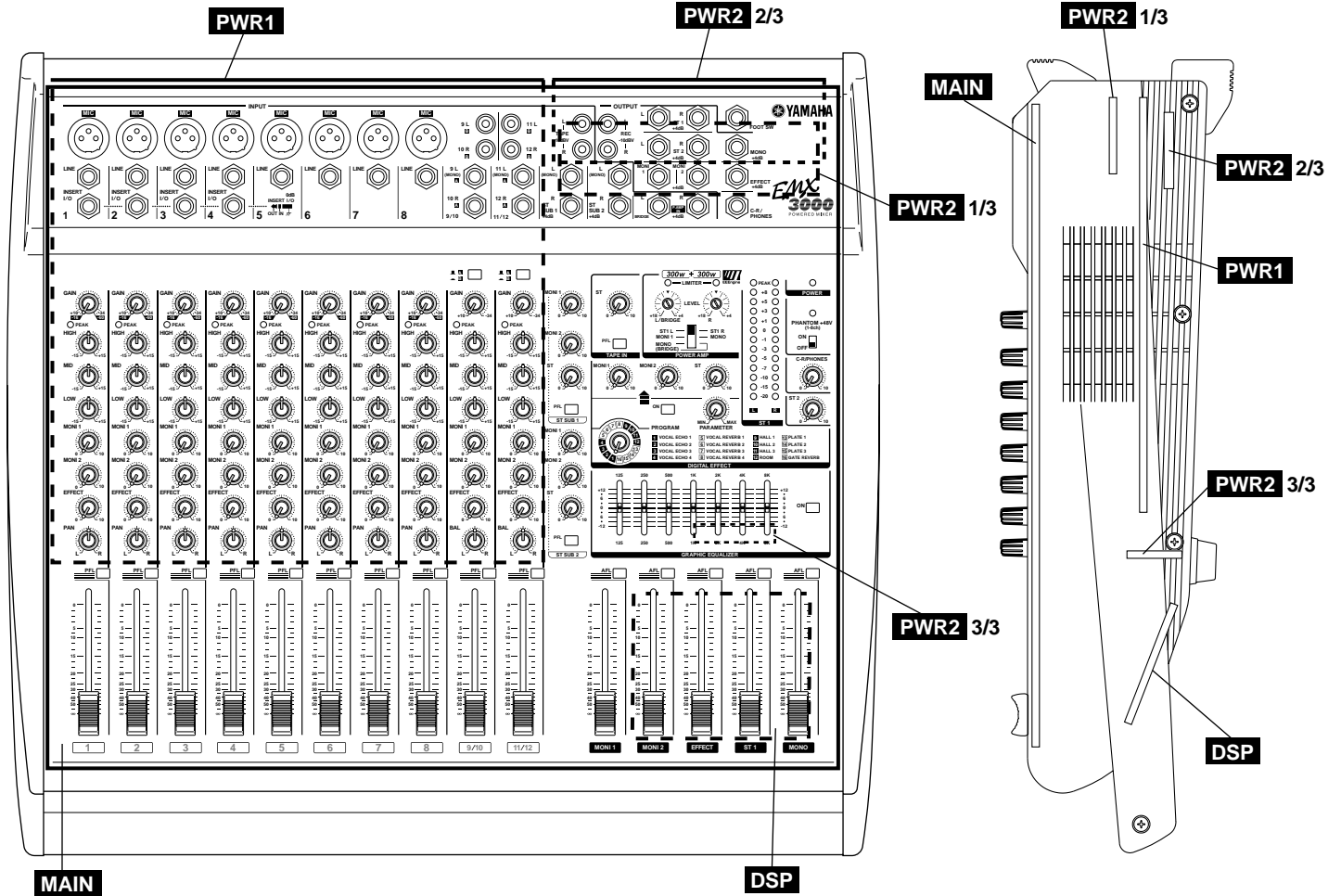
- ① Channel input jacks (MIC, LINE) 1-8
- ② INSERT I/O (insert) jacks 1-4
- ③ Channel input jacks 9-12A
Channel input jacks 9-12B
- ④ ST SUB 1 (stereo sub 1) jacks
ST SUB 2 (stereo sub 2) jacks
- ⑤ TAPE jacks
- ⑥ P.AMP IN (power amp input) jacks
- ⑦ REC (record) jacks
- ⑧ ST 1 (stereo 1) jacks
ST 2 (stereo 2) jacks
- ⑨ MONI 1 (monitor 1) jack
MONI 2 (monitor 2) jack
- ⑩ MONO (monaural) jack
- ⑪ EFFECT jack
- ⑫ C-R/PHONES (control room/headphones) jack
- ⑬ FOOT SW (foot switch) jack

• Rear panel

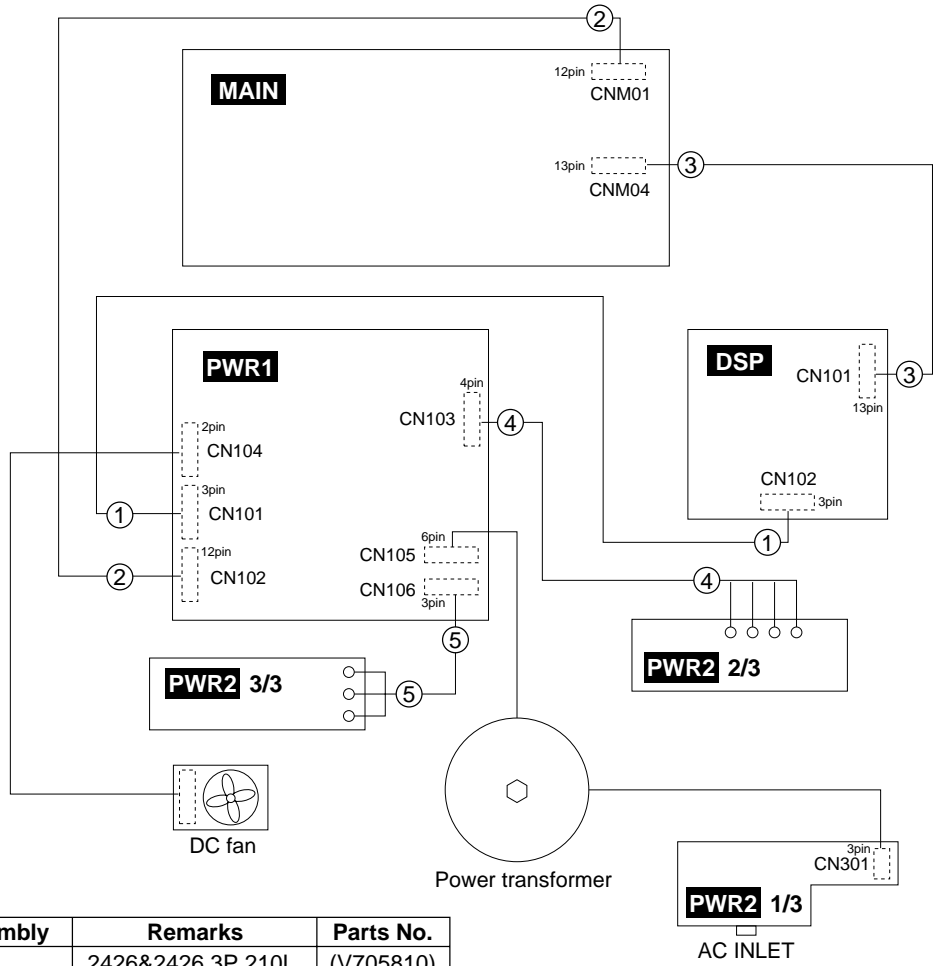


- ① SPEAKERS (speaker output) jacks
- ② POWER switch
- ③ AC inlet

■ CIRCUIT BOARD LAYOUT

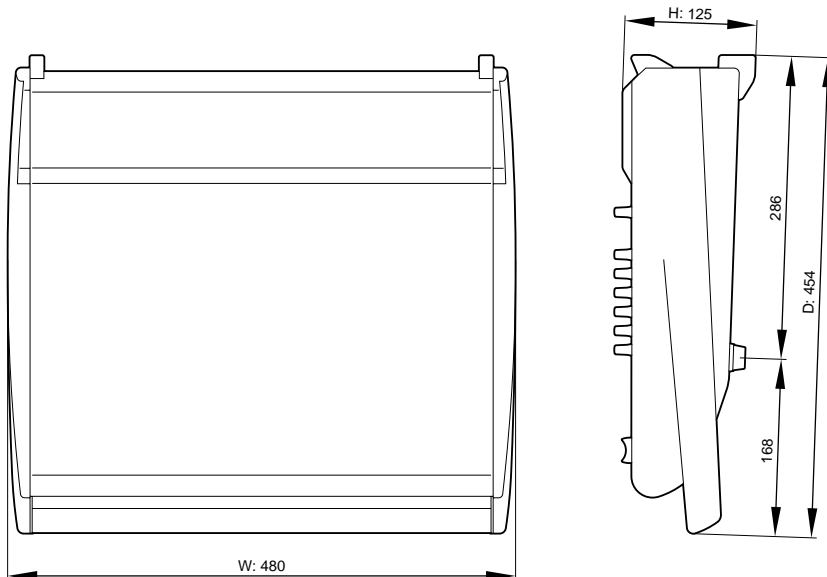


WIRING



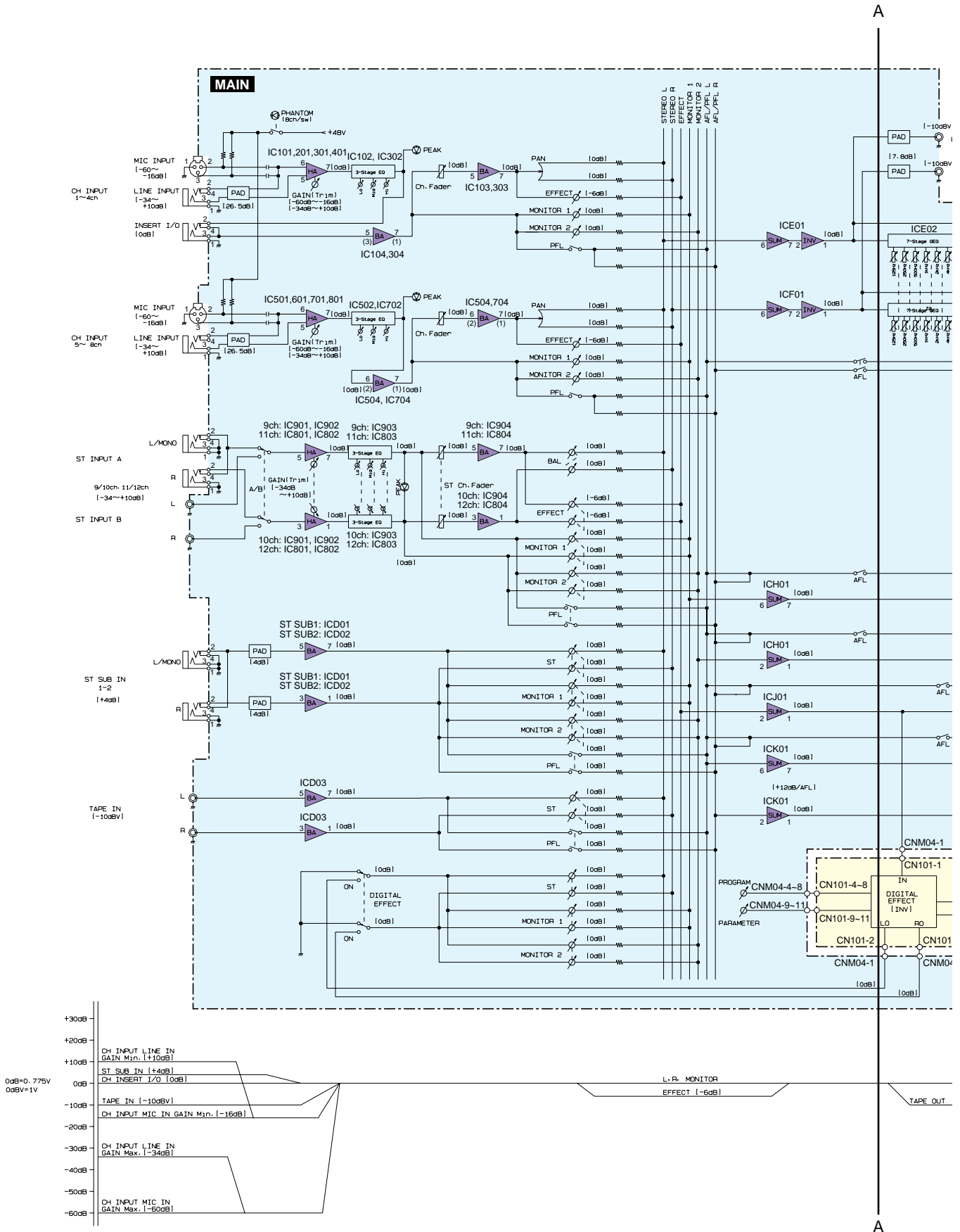
Location	Connector Assembly	Remarks	Parts No.
①	DSP-PWR1	2426&2426 3P 210L	(V705810)
②	MAIN-PWR1	2426&2426 12P	(V705820)
③	MAIN-DSP	2426&2426 13P	(V705830)
④	PWR1-PWR2 2/3	B&C #18 4P	(V702070)
⑤	PWR1-PWR2 3/3	B&C #18 3P	(V702080)

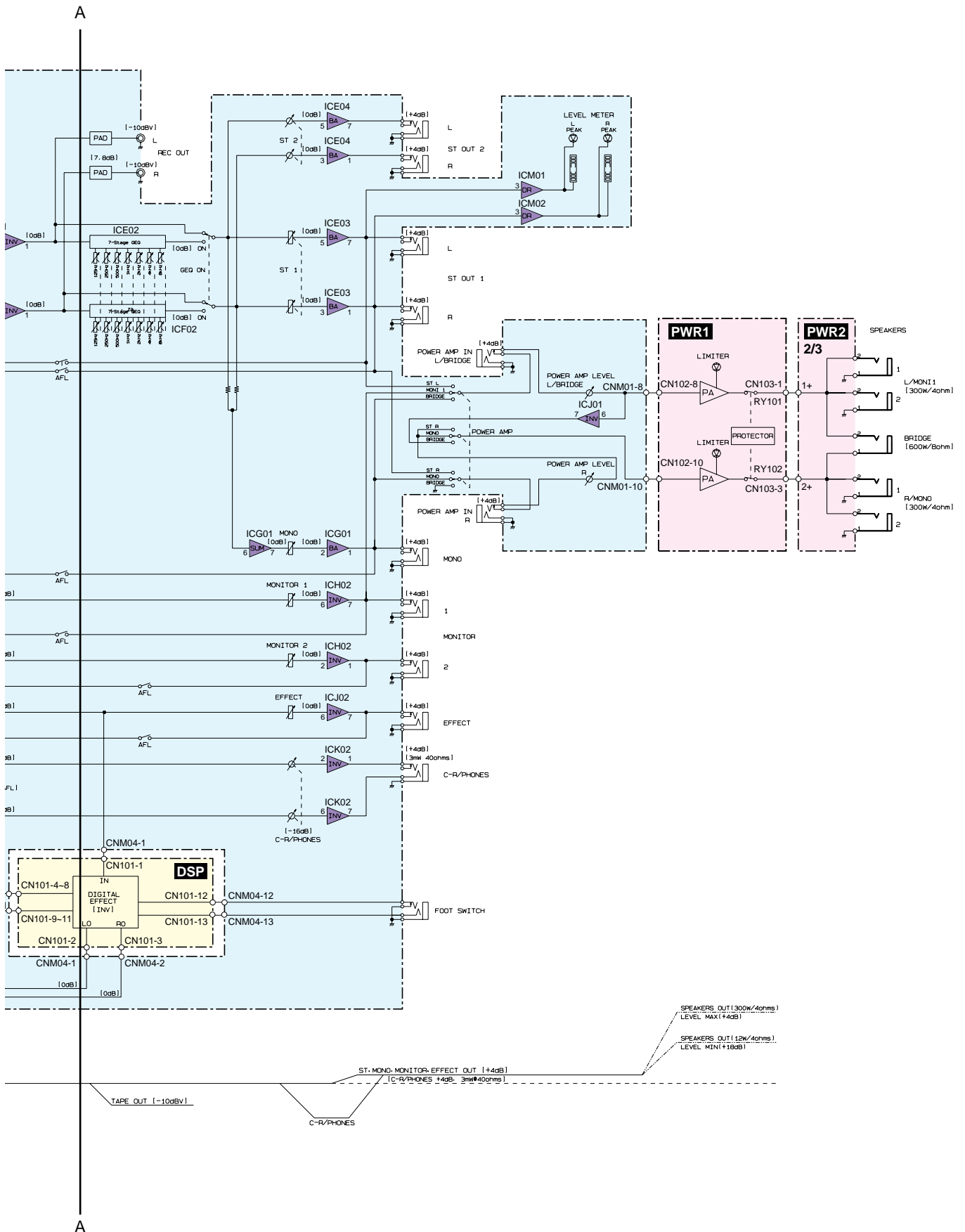
DIMENSIONS



Units: mm

BLOCK & LEVEL DIAGRAM





SPEAKERS_OUT [300W/4ohms]
LEVEL MAX (+4dB)
SPEAKERS_OUT [12W/4ohms]
LEVEL MIN (+18dB)

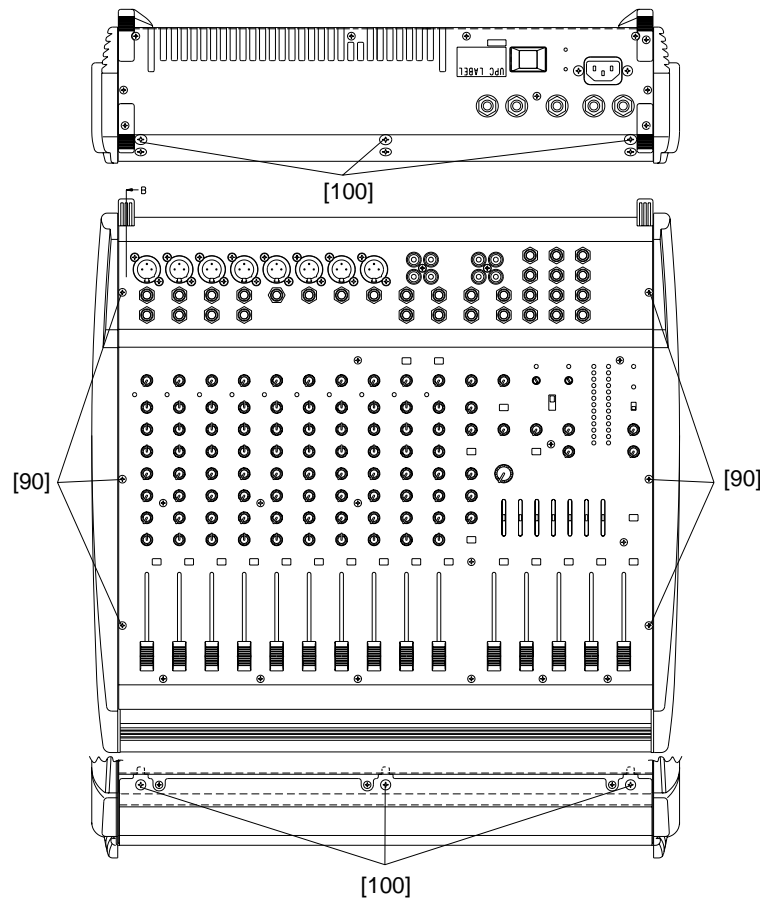
ST. MONO, MONITOR, EFFECT OUT (+4dB)
C-R/PHONES +4dB, 3mW@40ohms

TAPE_OUT [-10dBV]

■ DISASSEMBLY PROCEDURE

1. Panel Assembly and Bottom Assembly (Manhour requirement: 5 min.)

- 1-1. After removing the six (6) screws marked [90] and six (6) screws marked [100], lift the rear side of the assembly and remove it from claws on the front. (Fig. 1)



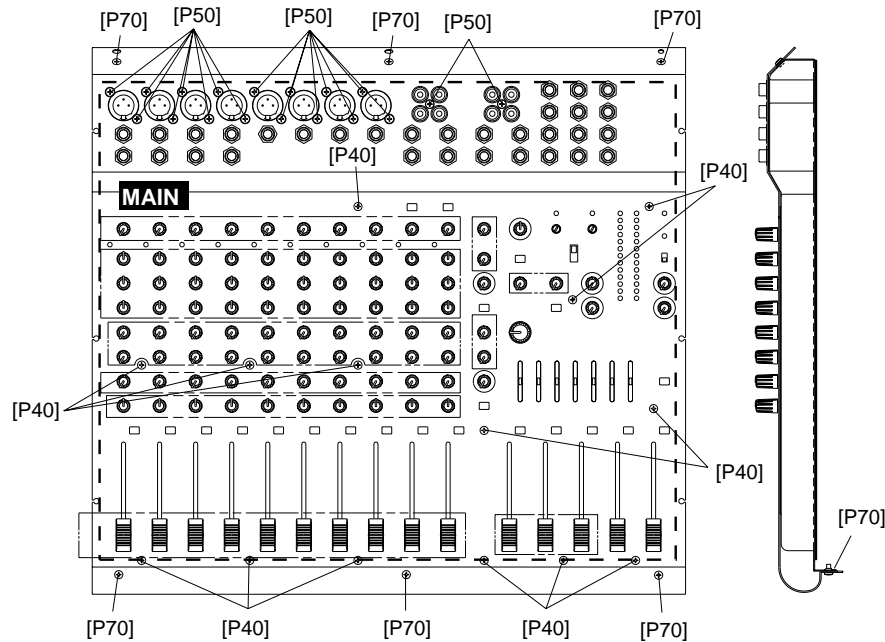
[90]: Bind Head Tapping Screw-B 3.0 X 6 MFZN2BL (EP600230)

[100]: Bind Head Tapping Screw-B 3.0 X 6 MFZN2BL (EG340190)

Fig.1

2. MAIN Circuit Board (Manhour requirement: 30 min.)

- 2-1. Remove the panel assembly and the bottom assembly. (See Procedure 1.)
- 2-2. Remove the three (3) screws marked [P70] from each side (front and rear). The shield plate can then be removed. (Fig. 2)
- 2-3. Remove all the knobs from the front panel and all the special hexagon nuts from the jacks.
- 2-4. Remove the fourteen (14) screws marked [P40] and eighteen (18) screws marked [P50] (cannon connector, pin jack). The MAIN circuit board can then be removed. (Fig. 2)



[P40]: Flat Head Tapping Screw-B 3.0 X 25 MFZN2BL (VV095300)

[P50]: Bonding Screw-B 3.0 X 8 MFZN2BL (VN413300)

[P70]: Bind Head Tapping Screw-B 3.0 X 6 MFZN2BL (EP600230)

Fig.2

3. PWR1 Circuit Board (Manhour requirement: 30 min.)

- 3-1. Remove the panel assembly and the bottom assembly. (See Procedure 1.)
- 3-2. Remove the four (4) screws marked [B130] and remove the PWR1 circuit board together with the isolation sheet. (Fig. 3)
- 3-3. Remove the twenty-eight (28) screws marked [B60] and four (4) screws marked [B50]. The PWR1 circuit board can then be separated from the isolation sheet. (Fig. 3)

4. DSP Circuit Board (Manhour requirement: 10 min.)

- 4-1. Remove the panel assembly and the bottom assembly. (See Procedure 1.)
- 4-2. Remove each PCB support at four (4) locations. The DSP circuit board can then be removed. (Fig. 3)

5. PWR2 3/3 Circuit Board (Manhour requirement: 10 min.)

- 5-1. Remove the panel assembly and the bottom assembly. (See Procedure 1.)
- 5-2. Remove the one (1) screw marked [B75] and the electrolytic capacitor holder. The PWR2 3/3 circuit board can then be removed. (Fig. 3)

6. DC fan (Manhour requirement: 10 min.)

- 6-1. Remove the panel assembly and the bottom assembly. (See Procedure 1.)
- 6-2. Remove the two (2) screws marked [B100]. The DC fan can then be removed. (Fig. 3)

7. Power transformer (Manhour requirement: 10 min.)

- 7-1. Remove the panel assembly and the bottom assembly. (See Procedure 1.)
- 7-2. Remove the hexagonal bolt. The power transformer can then be removed. (Fig. 3)
(See Fig.3 for drawing direction of wiring assembly.)

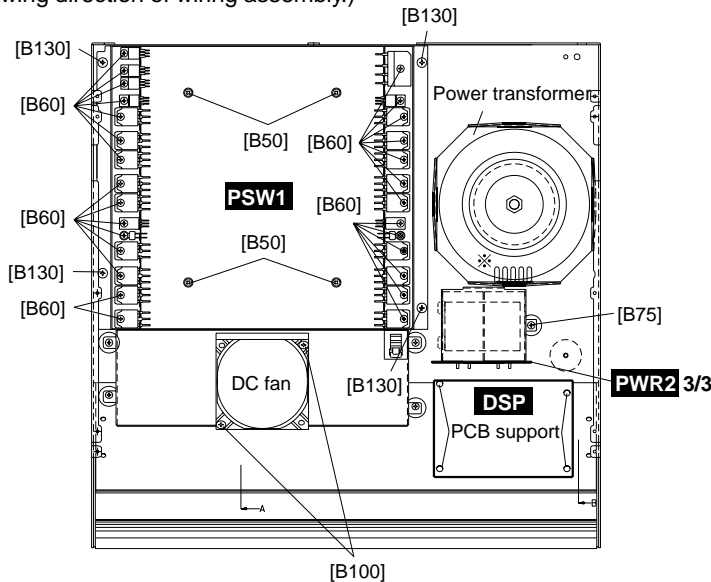


Fig.3
 [B50]:Bind Head Screw SP 3.0 X 8 MFZN2Y (FG330290)
 [B60]:Pan Head Screw SPK 3.0 X 12 MFZN2Y (VJ470900)
 [B75]:Bind Head Tapping Screw-B 3.0 X 6 MFZN2BL (EP600230)
 [B100]:Bind Head Tapping Screw-B 4.0 X 8 MFZN2BL (EG340190)
 [B130]:Bind Head Tapping Screw-B 4.0 X 8 MFZN2BL (EG340190)

8. PWR2 2/3 Circuit Board (Manhour requirement: 15 min.)

- 8-1. Remove the panel assembly and the bottom assembly. (See Procedure 1.)
- 8-2. Remove the five (5) special hexagonal nuts and one (1) screw marked [R30] from the rear panel. The PWR2 2/3 circuit board can then be removed. (Fig. 4)

9. PWR2 1/3 Circuit Board (Manhour requirement: 15 min.)

- 9-1. Remove the panel assembly and the bottom assembly. (See Procedure 1.)
- 9-2. Remove the two (2) screws marked [R60], PSW knob, PSW escussion and the 2 screws marked [R20]. The PWR2 1/3 circuit board can then be removed.

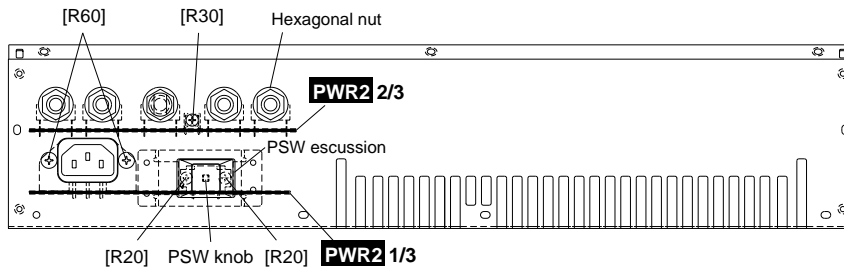


Fig.4
 [R20]:Bind Head Screw 3.0 X 8 MFZN2BL (VB659000)
 [R30]:Bonding Screw-B 3.0 X 8 MFZN2BL (EG413300)
 [R60]:Bind Head Tapping Screw-B 4.0 X 8 MFZN2BL (EG340190)

● PCM3001E/2K (X0053A00) ADA

DSP: IC104

PIN No.	NAME	I/O	FUNCTION	PIN No.	NAME	I/O	FUNCTION
1	VINL	I	ADC Analog Input, Lch	15	VOUTL	O	DAC Analog Output, Lch
2	Vcc1		ADC Analog Power Supply	16	LRCIN	I	Sampling Clock Input (fs)
3	AGND1		ADC Analog GND	17	BCKIN	I	Bit Clock Input
4	VREFL		ADC Reference decouple, Lch	18	DIN	I	Audio Data Input
5	VREFR		ADC Reference Decouple, Rch	19	DOUT	O	Audio Data Output
6	VINR	I	ADC Analog Input, Rch	20	XTI	I	Crystal Oscillator Input, External System Clock Input
7	CINPR		ADC Anti-aliasing Filter Capacitor (+), Rch	21	XTO	O	Crystal Oscillator Output
8	CINNR		ADC Anti-aliasing Filter Capacitor (-), Rch	22	CLKIO	I/O	Crystal Oscillator Buffer Output, External System Clock Input
9	CINNL		ADC Anti-aliasing Filter Capacitor (-), Lch	23	VDD		Digital Power Supply
10	CINPL		ADC Anti-aliasing Filter Capacitor (+), Rch	24	DGND		Digital GND
11	VCOM		DAC Center Voltage Decouple	25	FMT2	I	Audio Data Format 2 (Pull up to 70k ohm typical)
12	VOUTR	O	DAC Analog Output, Rch	26	FMT1	I	Audio Data Format 1 (Pull up to 70k ohm typical)
13	AGND2		DAC Analog GND	27	FMT0	I	Audio Data Format 0 (Pull up to 70k ohm typical)
14	Vcc2		DAC Analog Power Supply	28	RSTB	I	Reset Input, Active "L" (Pull up to 70k ohm typical)

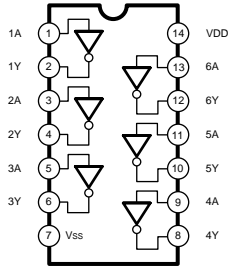
● UPD78082 (XZ312A00) MCU

DSP: IC102

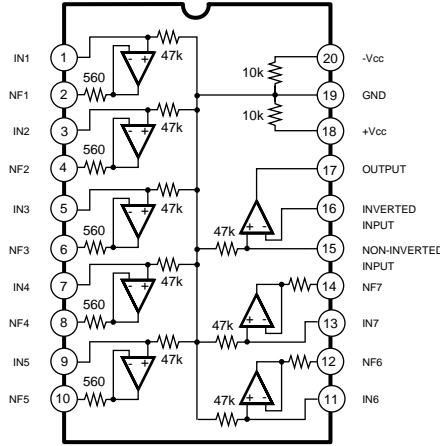
PIN No.	NAME	I/O	FUNCTION	PIN No.	NAME	I/O	FUNCTION
1	P12/ANI2	I/O	8 bits input/output port./A/D converter analog input.	23	NC	-	Not connect.
2	P13/ANI3	I/O	8 bits input/output port./A/D converter analog input.	24	P32	I/O	Port 3. 8 bits input/output port.
3	P14/ANI4	I/O	8 bits input/output port./A/D converter analog input.	25	P33	I/O	Port 3. 8 bits input/output port.
4	P15/ANI5	I/O	8 bits input/output port./A/D converter analog input.	26	P34	I/O	Port 3. 8 bits input/output port.
5	P16/ANI6	I/O	8 bits input/output port./A/D converter analog input.	27	P35/PCL	I/O	Port 3. 8 bits input/output port./Clock output.
6	P17/ANI7	I/O	8 bits input/output port./A/D converter analog input.	28	P36/BUZ	I/O	Port 3. 8 bits input/output port./Buzzer output.
7	P72/SCK2/ASCK	I/O	Port 7. 3 bits input/output port./Serial clock input/output of serial interface./Serial clock input for asynchronous serial interface.	29	P37	I/O	Port 3. 8 bits input/output port.
8	P71/SO2/TXD	I/O	Port 7. 3 bits input/output port./Serial data output for serial interface./Serial data output for asynchronous serial interface.	30	P00	I	Input only
9	P70/SI2/RXD	I/O	Port 7. 3 bits input/output port./Serial data input of serial interface./Serial data input for asynchronous serial interface	31	P01/INTP1	I/O	4 bits input/output port./Effective edge (Rising edge, falling edge, both rising and falling edges) specifiable external interrupt input.
10	P101/T16/T06	I/O	Port 10. 2 bits input/output port./External count clock input to 8 bits timer(TM6)/.8 bits timer output.	32	P02/INTP2	I/O	4 bits input/output port./Effective edge (Rising edge, falling edge, both rising and falling edges) specifiable external interrupt input.
11	P100/T15/T05	I/O	Port 10. 2 bits input/output port./External count clock input to 8 bits timer(TM5)/.8 bits timer output.	33	P03/INTP3	I/O	4 bits input/output port./Effective edge (Rising edge, falling edge, both rising and falling edges) specifiable external interrupt input.
12	P50	I/O	Port 5. 8 bits input/output port.	34	NC	-	Not connect
13	P51	I/O	Port 5. 8 bits input/output port.	35	RESET	I	System reset input
14	P52	I/O	Port 5. 8 bits input/output port.	36	IC(VPP)	-	Internal connect
15	P53	I/O	Port 5. 8 bits input/output port.	37	X2	-	Main system clock oscillator X'tal
16	P54	I/O	Port 5. 8 bits input/output port.	38	X1	I	Main system clock oscillator X'tal
17	VSS	I/O	Port 5. 8 bits input/output port.	39	VDD	-	Power Supply
18	P55	I/O	Port 5. 8 bits input/output port.	40	AVDD	-	A/D Converter Analog Power Supply
19	P56	I/O	Port 5. 8 bits input/output port.	41	AVREF	I	A/D Converter Power Supply Input
20	P57	I/O	Port 5. 8 bits input/output port.	42	AVSS	-	A/D Converter ground
21	P30	I/O	Port 3. 8 bits input/output port.	43	P10/ANI0	I/O	8 bits input/output port./A/D converter analog input.
22	P31	I/O	Port 3. 8 bits input/output port.	44	P11/ANI1	I/O	8 bits input/output port./A/D converter analog input.

IC BLOCK DIAGRAM

- **74HCU04DT** (XZ110A00)
INVERTER
DSP: IC101



- **M5229P** (XG203A00)
7-SEG. GRAPHIC
MAIN: ICE02, ICF02

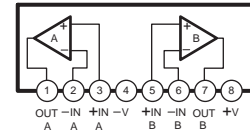


- **NJM2068L-D** (XM356A00)
OP AMP
MAIN: IC101-104, IC201, IC301-IC304, IC401, IC501-IC504, IC601, IC701-704, IC801, IC901-904, ICB01-04, ICD01-03, ICE01, ICH01, ICJ01, ICK01

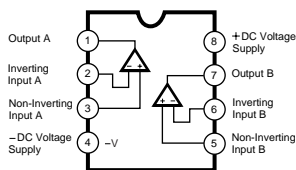
- **NJM4556AL** (XP844A00)
OP AMP
MAIN: ICK02

- **NJM4558L-D** (XQ212A00)
OP AMP
PWR1: IC101, IC201

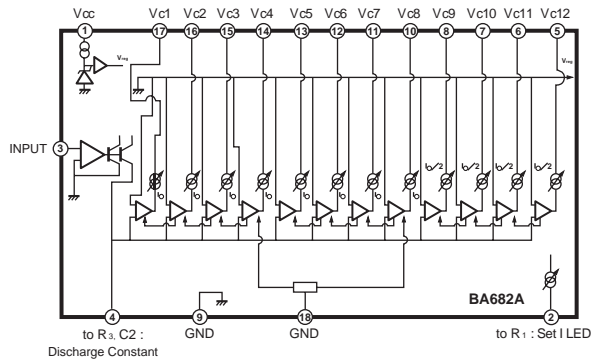
- **NJM4580L** (XF195A00)
OP AMP
MAIN: ICE03, ICE04, ICG01, ICH02, ICJ02



- **NJM4558MT-1** (IG103520)
OP AMP
DSP: IC103

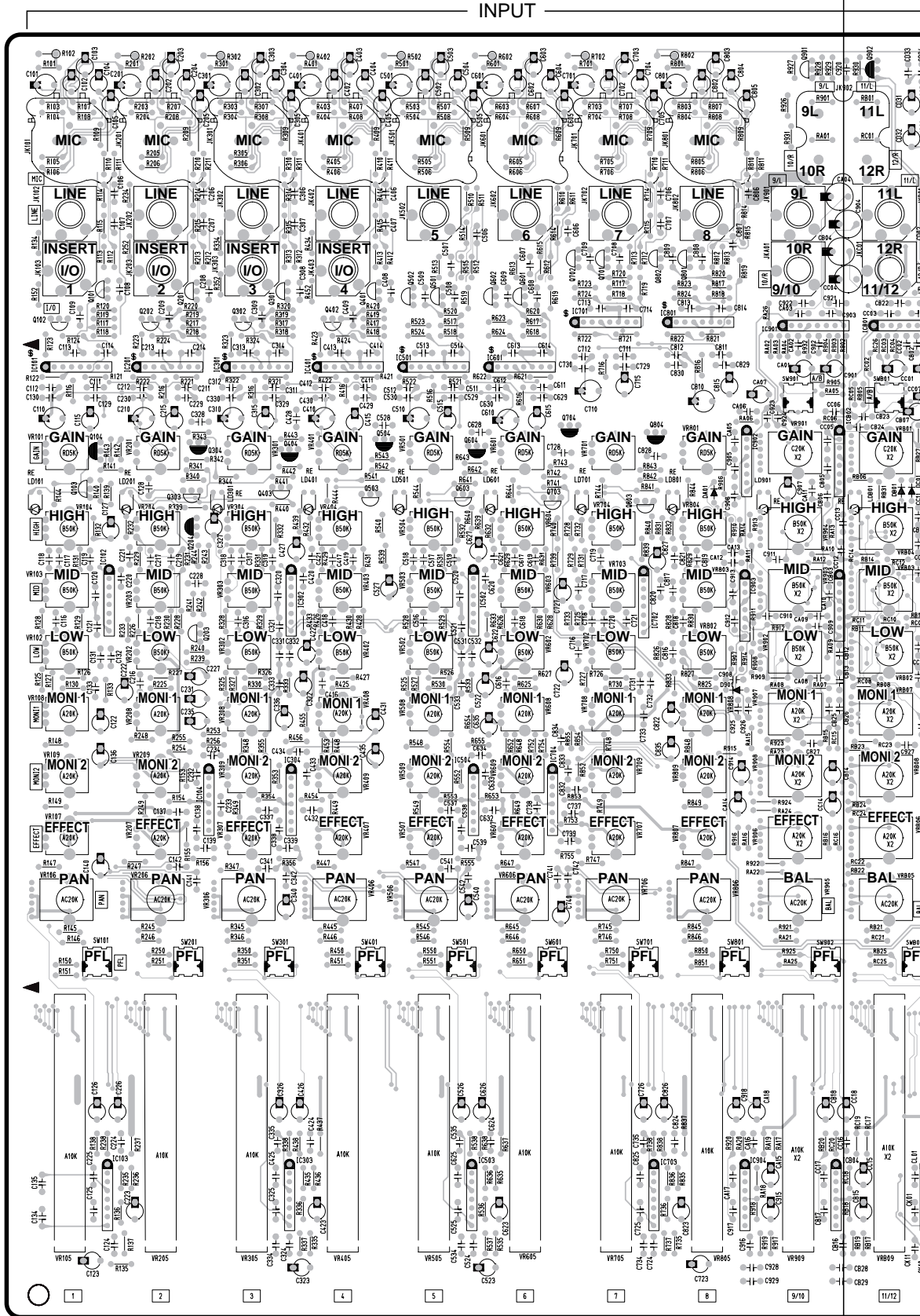


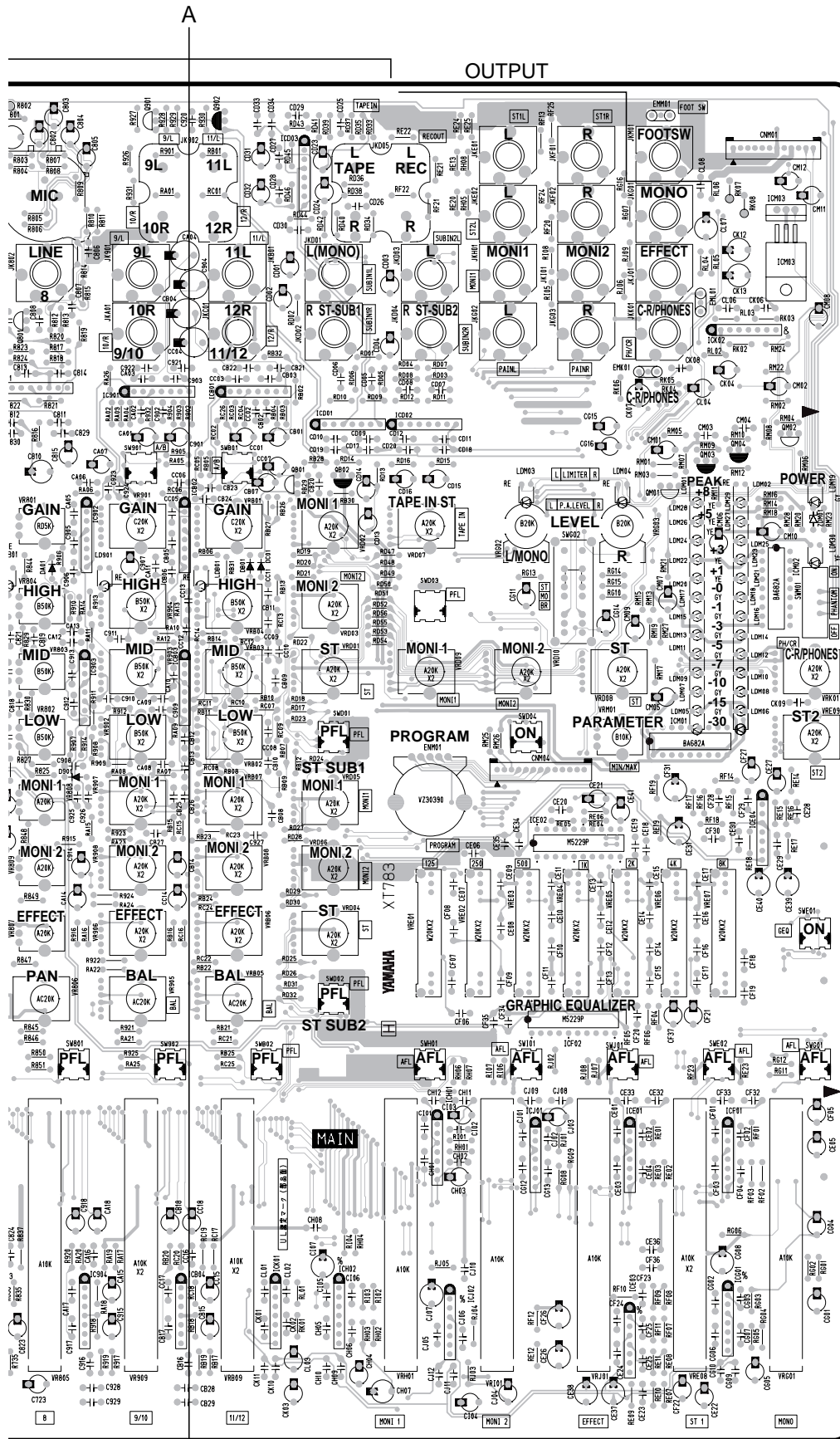
- **BA682A** (XS046A00)
LED LEVEL METER
MAIN: ICM01, ICM02



CIRCUIT BOARDS

MAIN Circuit Board



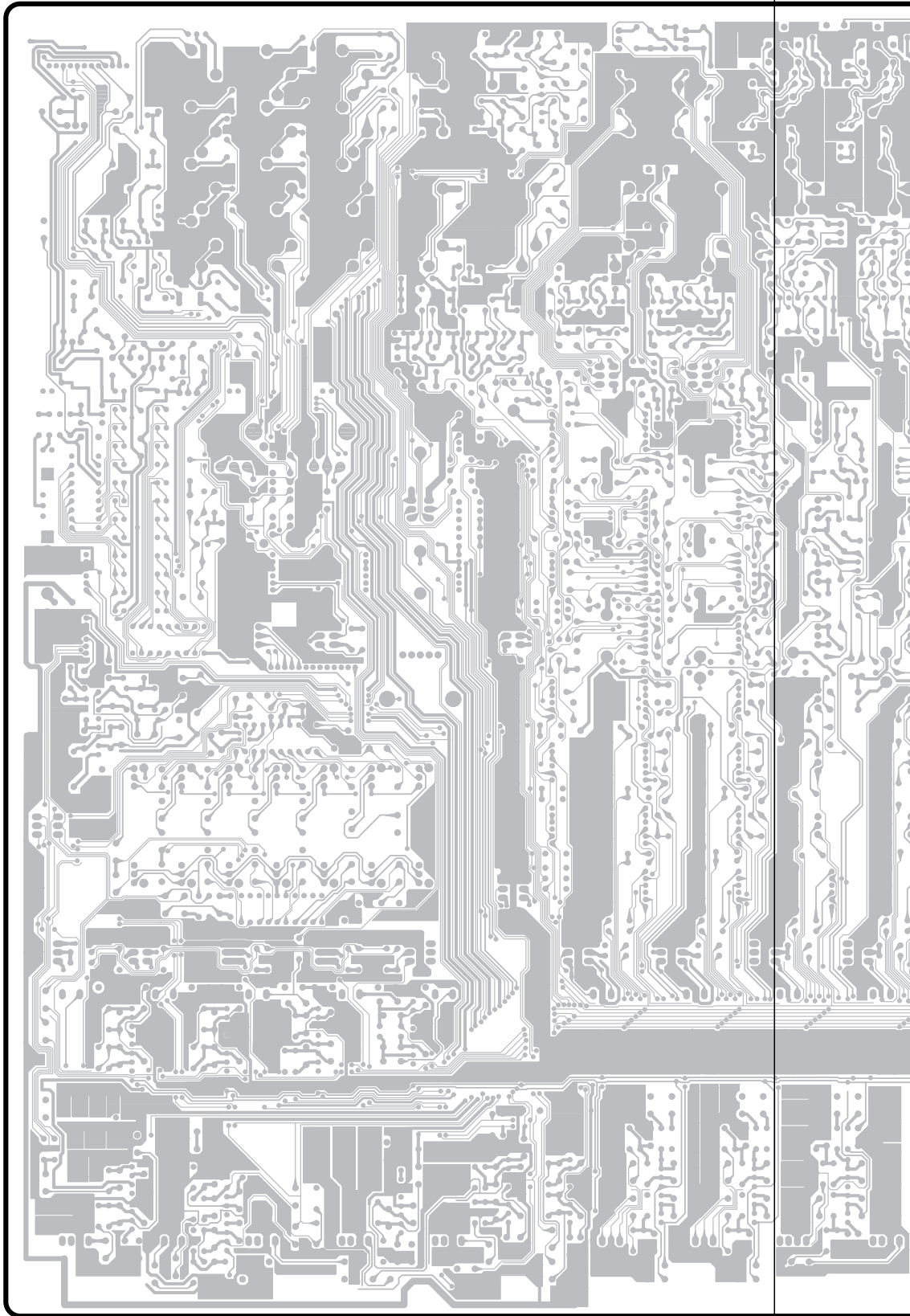


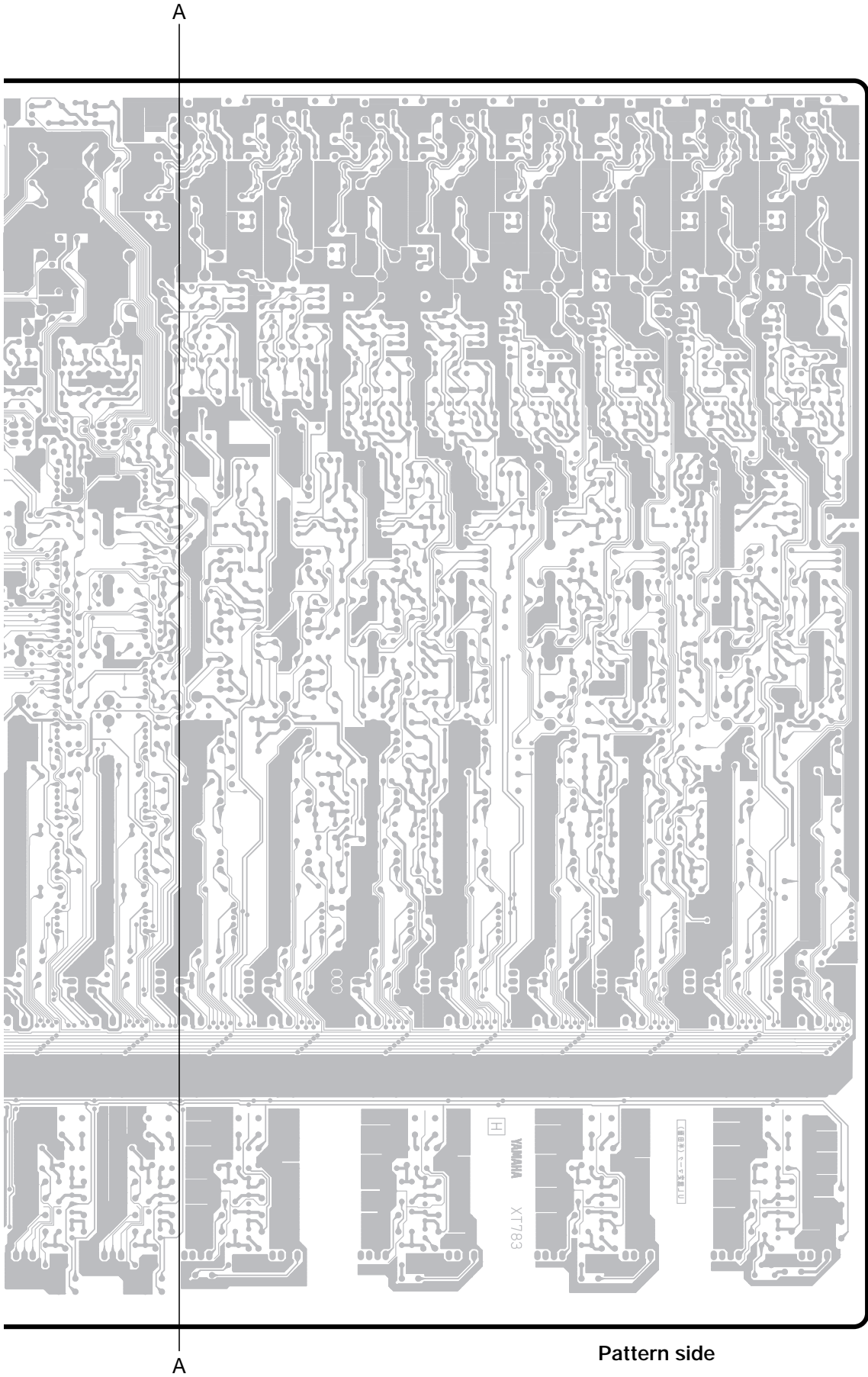
CNM01:
to PWR1-CN102

PHANTOM
ON/OFF

CNM04:
to DSP-CN101

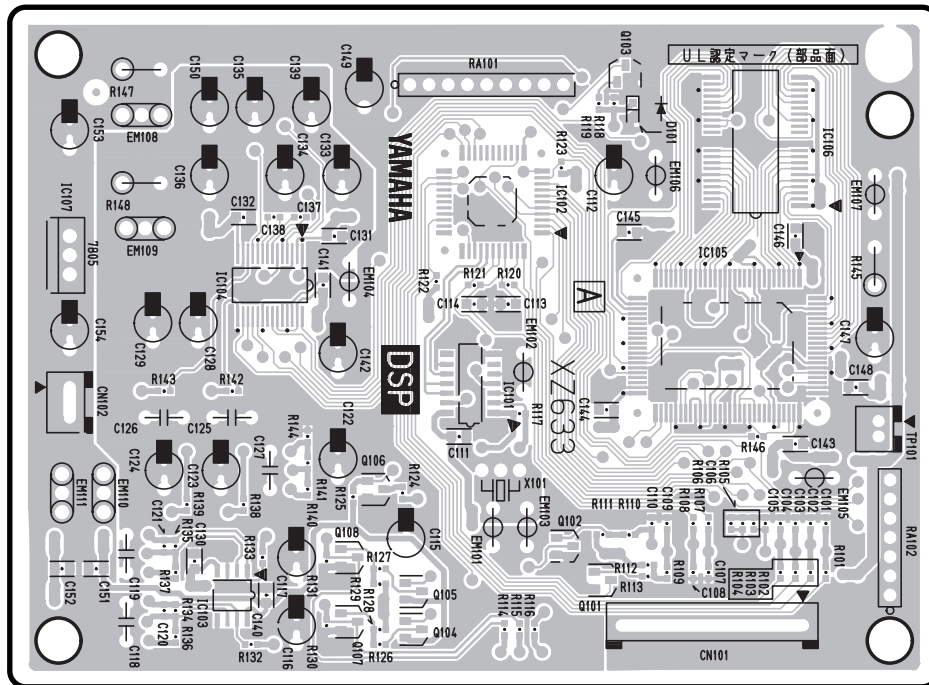
• MAIN Circuit Board





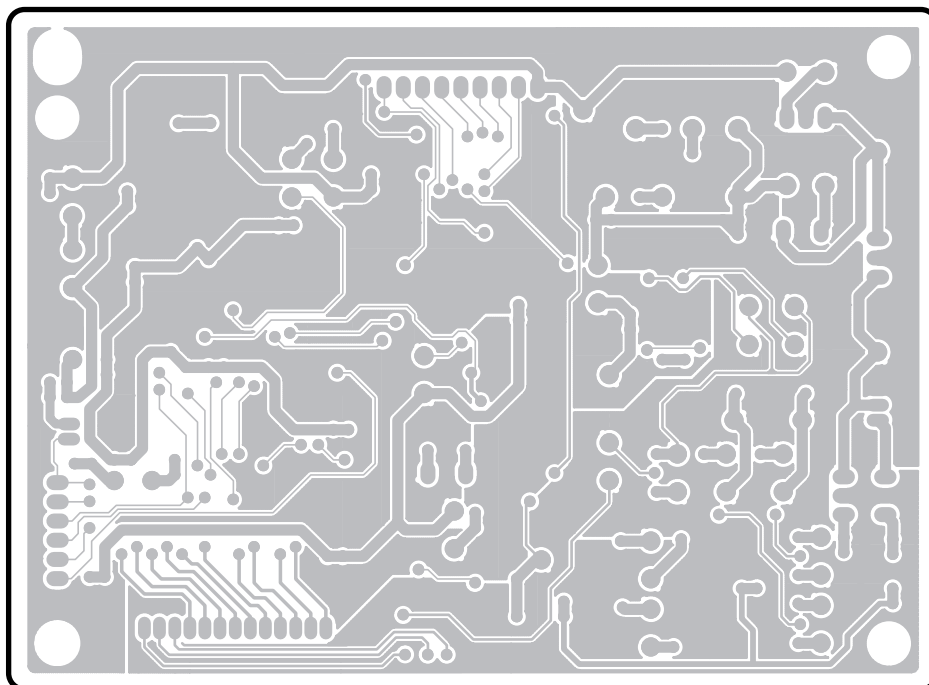
• DSP Circuit Board

CN102:
to PWR1-CN101



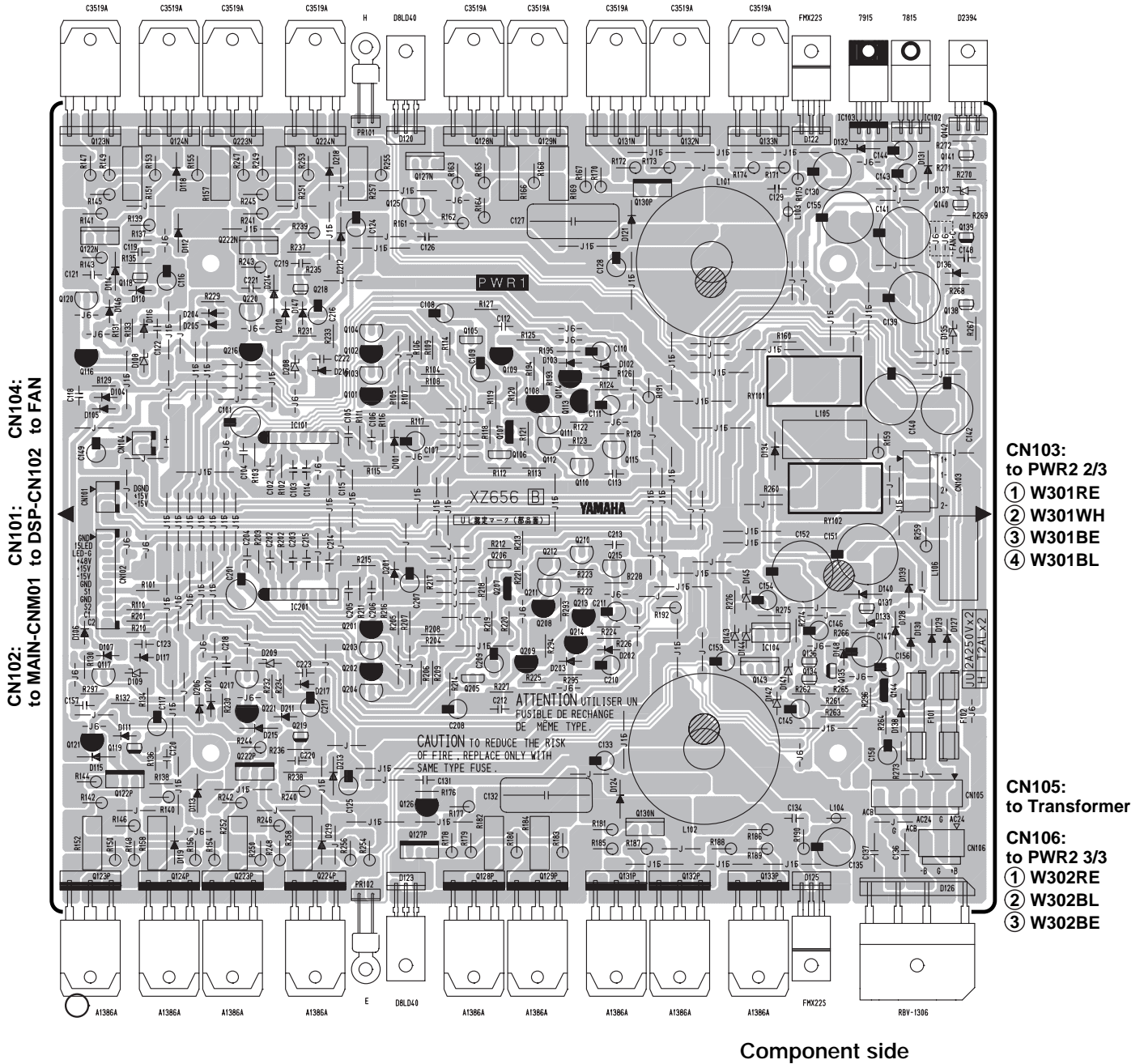
CN101: to MAIN-CN04

Component side

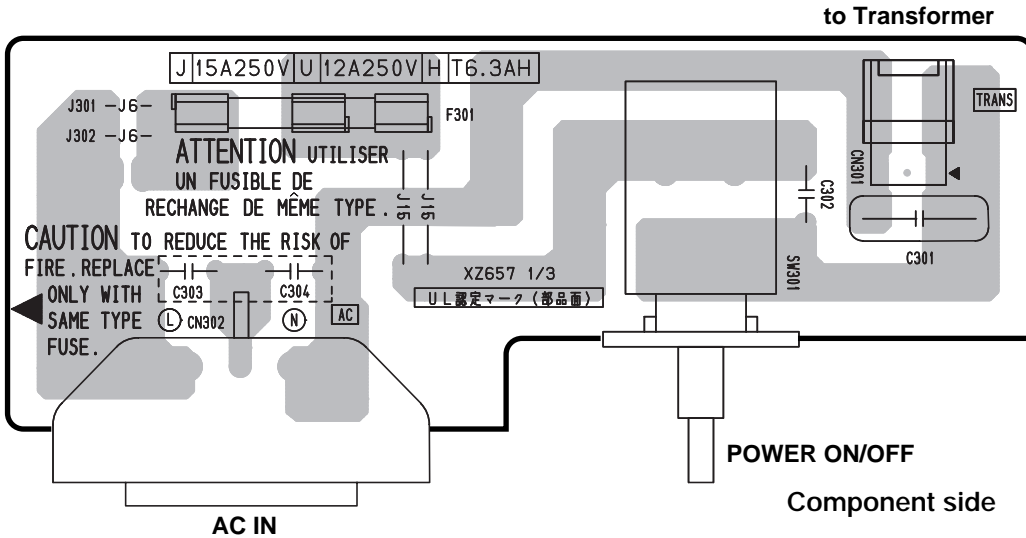


Pattern side

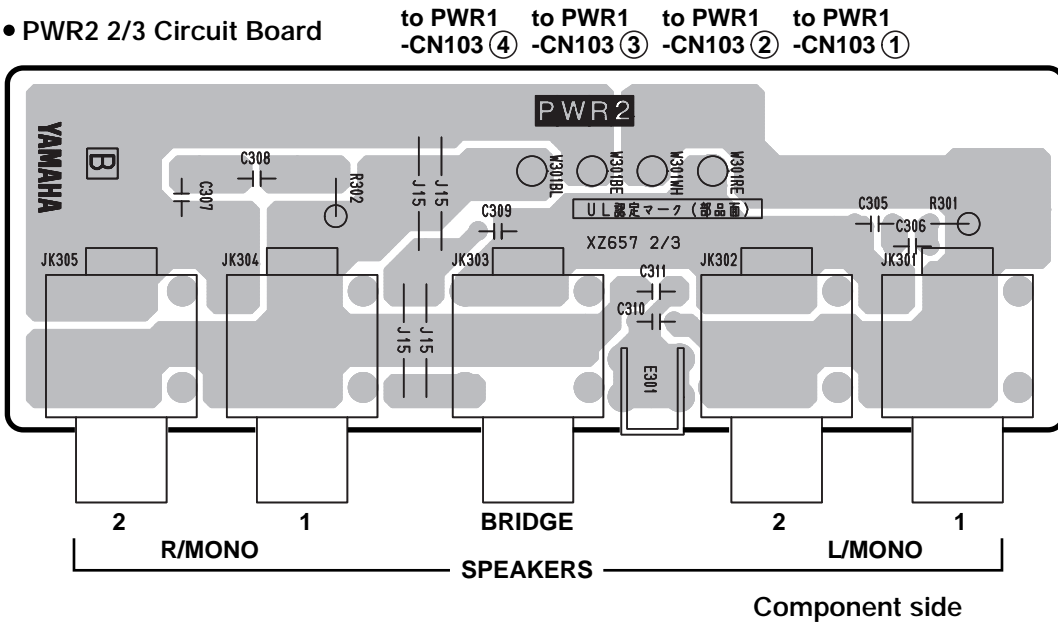
• PWR1 Circuit Board



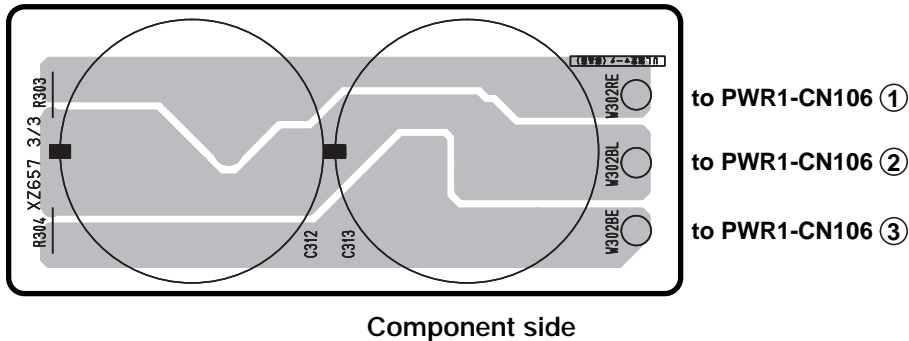
• PWR2 1/3 Circuit Board



• PWR2 2/3 Circuit Board



• PWR2 3/3 Circuit Board



INSPECTIONS

A. INSPECTION OF MIXER SECTION

1. PREPARATIONS

- Unless otherwise specified, the signal to be applied should be 1kHz, -70dBs sine wave and the signal source impedance should be 150 ohm. Also, the load resistance at each output terminal should be of the following values.

CH INSERT OUT, REC OUT 10k ohm

ST1,ST2,MONO,MONO1,MONO2,EFFECT 600 ohm

C-R/PHONES 40 ohm

- The signal level used in this specification is 0 dBs=0.775V
- Unless otherwise specified, set the controls as specified in 1-1 to 1-8 below.

1-1 CH INPUT (CH1~8)

GAIN trim	Minimum
EQ(HIGH, MID, LOW) gain control	CENTER
MONITOR(1, 2)level control	Maximum
EFFECT level control	Maximum
PAN control	CENTER
Fader	Maximum
PFL switch	OFF

1-2 Stereo INPUT (9/10, 11/12)

A/B switch	A
GAIN trim	Minimum
EQ(HIGH, MID, LOW) gain control	CENTER
MONITOR(1, 2) level control	Maximum
EFFECT level control	Maximum
PAN control	CENTER
Fader	Maximum
PFL switch	OFF

1-3 ST SUB IN (1,2)

ST level control	Maximum
MONITOR(1,2) level control	Maximum
PFL switch	OFF

1-4 TAPE IN

ST level control	Maximum
PFL switch	OFF

1-5 DIGITAL EFFECT

ON/OFF switch	OFF
PROGRSM select switch	1
PARAMETER control	Maximum
ST level control	Maximum
MONITOR (1,2) level control	Maximum

1-6 MASTER

ST GRAPHIC EQUALIZER control	CENTER
GRAPHIC EQUALIZER ON switch	OFF
ST1, MONO, MONITOR (1, 2), EFFECT fader	Maximum
ST2, C-R/PHONES level control	Maximum
ST1, MONO, MONITOR (1, 2), EFFECT AFL switch	OFF

1-7 POWER AMP

POWER AMP switch	ST1L-ST1R
POWER AMP (L/BRIDGE, R) level control	Minimum

1-8 PHANTOM

PHANTOM switch	OFF
----------------	-----

1-9 Measuring equipment

- The oscillator connected to the balanced type input terminal should be balanced output type with 150 ohm output impedance.
- The input impedance of the oscilloscope, level meter, etc. should be 100k ohms or more.
- The DIN audio flier should be used to measure the noise level.

2. GAIN

In the state as described in 1 above, check that the output level within the range specified in Tables 2-1 to 2-7 can be obtained at each output terminal.

[Table 2-1] Input terminal CH1 to CH8

[Unit: dBs]

Input	Input level	GAIN Trim	INSERT OUT *2	ST1,2 OUT(L,R)	MONO OUT	MONI 1,2 OUT	EFFECT OUT	REC OUT (L,R)	C-R/PHONES OUT *3
MIC	-60	MAX	0 +/- 2	+1 +/- 2	+4 +/- 2	+4 +/- 2	+10 +/- 2	-10.8 +/- 2	+8.5 +/- 2
	-16	MIN	—	+1 +/- 2 ST1(L) *1	—	—	—	—	—
LINE	-34	MAX	—	+1 +/- 2 ST1(L) *1	—	—	—	—	—
	+10	MIN	—	+1 +/- 2 ST1(L) *1	—	—	—	—	—
INSERT *2	0	—	—	+1 +/- 2 ST1(L) *1	—	—	—	—	—

*1: Measure the display output only.

*2: Measure CH1 to CH4 only.

*3: Turn on the PFL switch of the channel to which the signal was input.

[Table 2-2] Input terminal CH9/10, 11/12

[Unit: dBs]

Input	Input level	A/B Switch	GAIN Trim	ST1 OUT (L,R)	MONI 1,2 OUT	EFFECT OUT	C-R/PHONES OUT *2
A-L/MONO	-34	A	MAX	+1 +/- 2	+7 +/- 2	+13 +/- 2	+8.5 +/- 2
A-R				+1 +/- 2 ST1 (R) *1	+1 +/- 2 MONI 1 *1	+7 +/- 2	+8.5 +/- 2
A-L/MONO	+10		MIN	+1 +/- 2 ST1 (L) *1	—	—	—
A-R				+1 +/- 2 ST1 (R) *1	—	—	—
B-L	-34	B	MAX	+1 +/- 2 ST1 (L) *1	—	—	—
B-R	+10		MIN	+1 +/- 2 ST1 (R) *1	—	—	—

*1: Measure the display output only.

*2: Turn on the PFL switch of the channel to which the signal was input.

[Table 2-3] Input terminal ST SUB IN

[Unit: dBs]

Input	Input level	ST1 OUT (L)	ST1 OUT (R)	MONI 1,2 OUT	C-R/PHONES OUT *1
L/MONO	+4	+4 +/- 2	+4 +/- 2	+7 +/- 2	+3.5 +/- 2 *2
R		—	+4 +/- 2	+1 +/- 2	+3.5 +/- 2 *2

*1: Turn on the PFL switch of the SUB IN to which the signal is input.

*2: The input level should be -6dBs.

[Table 2-4] Input terminal TAPE IN

[Unit: dBs]

Input	Input level	ST1 OUT (L)	ST1 OUT (R)	C-R/PHONES OUT *1
L	-7.8	+4 +/- 2	—	+3.5 +/- 2 *2
R		—	+4 +/- 2	+3.5 +/- 2 *2

*1: Turn on the PFL switch.

*2: The input level should be -17.8dBs.

- In the state as described in 1 above, input the signal of the following level to MIC IN of CH1 and turn on each AFL switch. Then check that the output as described in [Table 2-5] is obtained at C-R/PHONES OUT (L, R).

[Table 2-5] AFL switch [Unit: dBs]

Input level	GAIN Trim	ST1 OUT (L,R)	MONO OUT	MONITOR 1,2 OUT	EFFECT OUT
-40	MIN	-7.0 +/- 2	-4.0 +/- 2	-4.0 +/- 2	+2.0 +/- 2

3. FREQUENCY RESPONSE

- In the state as described in 2, input a signal at the frequency of 20Hz and 20kHz and check that the output level at each output terminal is within the range of +1.0/-3.0dB with 1kHz used as a reference frequency. At 20Hz with GAIN trim at the maximum position only, however, the output level should be within the range of +1dB/-4.5dB. Also, check the output level at SUB IN for C-R/PHONES.

4. EQUALIZER CHARACTERISTICS

- In the state as described in 1, move each of LOW, MID and HIGH of INPUT controls and check that the output level of the frequency obtained at ST1 OUT (L, R) falls within the range given in [Table 4-1] with the output level obtained at the center click position used as a reference.
- If the output level at a specified frequency does not fall within the range given in [Table 4-1], vary the frequency of the input signal within the range of specified frequency +/- 20% and check that the output level within the range of [Table 4-1] is obtained.

[Table 4-1] EQ characteristics [Unit: dBs]

Control	GAIN	Input signal frequency	Variation width
HIGH	MAX	10kHz	+12 +/- 2
	MIN		-12 +/- 2
MID	MAX	2.5kHz	+14 +/- 2
	MIN		-14 +/- 2
LOW	MAX	100Hz	+12 +/- 2
	MIN		-12 +/- 2

5. GRAPHIC EQUALIZER CHARACTERISTICS

- In the state as described in 1, move the fader of GEQ and check that the output level of the frequency obtained at ST1 OUT (L, R) falls within the range given in [Table 5-1] with the output level obtained at the center click position used as a reference. If the output level at a specified frequency does not fall within the range given in [Table 5-1], vary the frequency of the input signal within the range of specified frequency +/- 20% and check that the output level within the range of [Table 5-1] is obtained.

[Table 5-1] GRAPHIC EQUALIZER characteristics [Unit: dBs]

Fader name	125	250	500	1K	2K	4K	8K
Input signal frequency	125Hz	250Hz	500Hz	1kHz	2kHz	4kHz	8kHz
FADER MAX	+12 +/- 2						
FADER MIN	-12 +/- 2						

6. PEAK LED LIGHTING LEVEL

- In the state as described in 1, input a signal to MIC IN or L/MONO IN and check that the PEAK LED lights up at the input signal level as in [Table 6-1].

[Table 6-1] PEAK LED lighting level [Unit: dBs]

Input channel	CH1-8 (MIC IN)	CH9/10, 11/12 (L/MONO)
Input signal level	-43 +/- 2	-17 +/- 2

7. METER LIGHTING LEVEL

Check that when the output level of ST1 OUT (L, R) is as in [Table 7-1], each corresponding METER LED lights up.

[Table 7-1] METER lighting level [Unit: dBs]

LED name	PEAK	+8	+5	+3	+1	0	-1
Lighting start level	+17 +/- 2	+12 +/- 2	+9 +/- 2	+7 +/- 2	+5 +/- 2	+4 +/- 2	+3 +/- 2
LED name	-3	-5	-7	-10	-15	-20	—
Lighting start level	+1 +/- 2	-1 +/- 2	-3 +/- 2	-6 +/- 2	-11 +/- 3	-16 +/- 5	—

8. DISTORTION FACTOR

- In the state as described in 1, check that the distortion factor when +14dBs output is obtained at each output terminal is 0.1% or less (except for REC OUT and INSERT OUT).
- In the case of C-R/PHONES OUT, set the 12 o'clock point of the level control to the Norminal position and the master fader control to 5 on the scale. In this state, check that the distortion factor when +3dBs output is obtained is 0.2% or less.
- When taking measurements in [Table 2-1] and [Table 2-2], set the GAIN trim of the channel being measured only to the maximum position but the GAIN trim of other channels to the minimum position.
- When taking measurements in [Table 2-3] and [Table 2-4], set the GAIN trim of the channels to the minimum position.

9. MAXIMUM OUTPUT

- In the state as described in 8 above, check that +20dBs output with 1% or less distortion factor is obtained at ST1 OUT (L, R), ST2 OUT (L, R), MONO OUT, MONI 1 OUT, MONI 2 OUT and EFFECT OUT. Also, check that +8dBs output with 1% or less distortion factor is obtained at C-R/PHONES (L, R) OUT.

10. EIN

- In the state as described in 1, set only the fader and GAIN trim of the input channel to be measured to the maximum position and the fader of all the other input channels to the minimum position and short MIC IN with 150 ohm. Then check the noise level obtained at ST1 OUT (L). It should be -65.5dBs or less. If it exceeds -65.5dBs, calculate the input converted noise level and check that the result is 126.5dBs or less. (Use the DIN audio filter.)

11. RESIDUAL NOISE

- In the state as described in 1., set all Fader/Level controls in the input section to the minimum position. Then set the Fader/Level controls in the MASTER section in [Table 11-1] to the maximum or minimum position and check that the noise level is at the level indicated in [Table 11-1] or less.

[Table 11-1] Residual noise

[Unit: dBs]

Fader or Level control	ST1,2 OUT (L,R)	MONO OUT	MONI 1,2 OUT	EFFECT OUT	C-R/PHONES OUT
Maximum	-87	-87	-87	-83	-78
Minimum	-95.5	-95	-95	-95	-97

12. PHANTOM POWER SUPPLY (+48V)

- Connect a 10k ohms load resistance between pins 1 and 2 of MIC IN to short-circuit between signals 2 and 3. Then check that +35 +/- 3 V voltage is obtained at both ends of the load resistance when the PHANTOM switch is turned on.

13. DIGITAL EFFECT

- In the state as described in 1, input -16 dBs/1kHz signal to MIC IN of channel 1, set MONI 1, 2 level controls of channel 1 to the minimum position and check that -30dBs or more signal is obtained at MONI 1, 2 OUT when the DIGITAL EFFECT switch is turned on. Also, check that a signal in the same range is obtained when the PARAMETER control is set to the minimum position. Change the PROGRAM select switch to 2 to 16 and perform the same check.
- Check that the EFFECT function works when the signal from the music source is input.
- Check that the DIGITAL EFFECT function can be turned on and off using the foot switch.
- In the state as described in 1, change all the channel fader settings to the minimum position. Then turn on the DSP switch and check that the noise level at ST1 OUT (L, R) is -61dBs or less. (Use the DIN audio filter.)

14. STABILITY

- Connect 10pF to 0.1μF capacitance in parallel with the load resistance at each output terminal and check that no abnormality such as oscillation occurs.
- Set all the VR and EQ controls to the maximum position and check that no abnormality such as oscillation occurs. Be sure to connect a load resistance to the power amplifier for this check.

B. INSPECTION OF POWER AMPLIFIER

● INSPECTION AT ST1L-ST1R

1 PREPARATIONS

- Input terminal: ST SUB IN 1 L/MONO
- POWER AMP Switch : ST1L-ST1R
- POWER AMP (L/BRIDGE, R) level control:MAX
- Output terminal: SPEAKER L (1), SPEAKER R (1)
- Load resistance: 40 ohm (300W or more)

Unless otherwise specified, the load resistance of the speaker should be connected only when checking the power amplifier.

- Set all the Fader/Level controls of channels1 to 10, SUB IN 2 and TAPE IN to the minimum position.
- Other than the above, use the same setting as described under PREPARATIONS for inspection.

2 Muting function at power ON

- Check that the muting function is cancelled and the relay turns on at 2.5 +/- 1 seconds after the POWER switch is turned on.

3 Fan

- Short-circuit the 2 jumper wires within the frame (between C141 and Q139) marked FAN-C in the PWR circuit board and check that the fan runs at a low speed.

4 DC voltage at output terminal

- Ground the input terminal and check that the DC voltage at the output terminal is 0 +/- 100mV.

5 GAIN

- Input a -9.0 dBs signal to the input terminal and check that the output level of measured gain is as specified in Table 5-1 when the POWER AMP switch setting is changed.

[Table 5-1] Gain [Unit: dBs]

POWER AMP switch	ST1L-ST1R	MONI 1-MONO
SPEAKER L (1,2)	+20.0 +/- 2.0	+23.0 +/- 2.0
SPEAKER R (1,2)	+20.0 +/- 2.0	+23.0 +/- 2.0

6 FREQUENCY RESPONSE

- Input 20Hz, 1kHz, 20kHz/-9.0dBs sine wave signals to the input signal and check that the frequency response at 20Hz and 20kHz is within the range of +1.0/-3.0dB with 1kHz used as a reference.

7 TOTAL HARMONIC DISTORTION

- Input a 1kHz signal to the input terminal and check that the total harmonic distortion is 0.5% or less when 300W + 300W/4 ohm (33.0dBs) output is obtained.
- Also, input 20Hz, 2kHz and 20kHz signals to the input terminal and check that the total harmonic distortion is 0.5% or less when 150W + 150W/4 ohm (30.0dBs) signal is obtained at the output terminal.

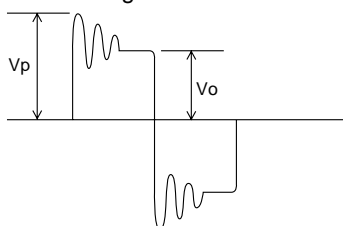
8 RESIDUAL NOISE

- Set the POWER AMP L/BRIDGE, POWER AMP R level controls to the minimum position and check that the noise level at the output terminal is -62dBs. Use care so that the measurement is not affected by the induction noise. (Use the DIN audio filter.)

9 STABILITY

- With 10kHz • -3.2dBs rectangular signal input, connect 10pF to 0.47 μ F capacitance in p parallel with 4 ohm load resistance or 10 μ H to 0.47H inductance and check that the following items are satisfied.

- Overshoot: $V_p/V_o \leq 1.8$
 Ringing: Within 5 waves



- Disconnect 4 ohm load resistance to make the load consisting of 10pF to 0.47 μ F capacitance only, check that ringing is within 7 waves at $V_p/V_o \leq 2.5$ and no oscillation or the like occurs.

10 PROTECTION CIRCUIT

- With a signal input to POWER AMP IN (L), clip the output waveform of the 10Hz signal and check that the protection circuit functions to prevent the relay from opening.
- Check that the protection circuit functions within 2 seconds to shut off the output when a 1Hz, $V_{p-p}=10V$ (13.2dBs) signal is input and the output is restored automatically within 5 seconds when the input signal is stopped.

11 PC LIMITER CIRCUIT, LIMITER CIRCUIT, LIMITER INDICATOR

- With 1 ohm load resistance (+/- 5%, 100W) connected to the output terminal, input a 0dBs signal to the input terminal and observe the output terminal using an oscilloscope. Then the protection circuit should function to shut off the output and the output is restored automatically within 5 seconds when the input signal is stopped.

12 EFFICIENCY

- Input a -5.6dBs signal and check that the primary voltage is 190 +/- 50W. 12.2V (24.0dBs) output should be obtained at SPEAKER OUT 1 and 2 at this time.

● INSPECTION OF MAIN BRIDGE

1 PREPARATIONS

- Input terminal: ST BUS IN 1 L/MONO
- POWER AMP Switch : MONO BRIDGE
- POWER AMP (L/BRIDGE, R) level control : Maximum
- Output terminal: BRIDGE
- Load resistance: 8 ohm (600W or more)

Unless otherwise specified, the load resistance of the speaker should be connected only when performing inspection.

- Set all the Fader/Level controls of channels 1 to 10, SUB IN 2 and TAPE IN to the minimum position.
- Other than the above, use the same settings as described under "Inspection 1" for inspection.

- Connection of measuring equipment



2 GAIN

- Input a -12.0dBs signal to the input terminal and check that +20.0 +/- 2 dBs output is obtained.

3 FREQUENCY RESPONSE

- Input 20Hz, 1kHz, 20kHz/-12.0dBs signals to the input terminal and check that the frequency response at 20Hz and 20kHz is within the range of +1.0/-3.0dB with 1kHz used as a reference.

C. OTHER INSPECTIONS

1 POWER VOLTAGE VARIATION

- Check that no abnormality occurs with operation even when the power voltage is varied by +/- 10%.

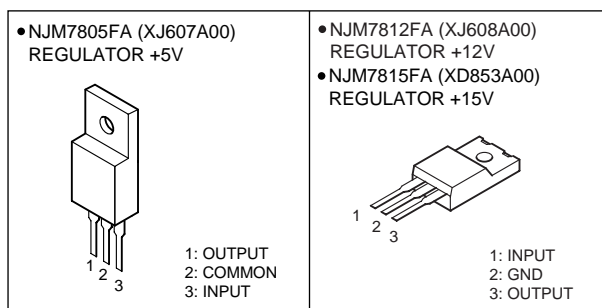
D. FACTORY SETTINGS

- | | |
|--|-----------|
| • EQ GAIN, GEQ GAIN | CENTER |
| • All VR and fader controls other than above | Minimum |
| • All push switches | OFF |
| • PHANTOM switch | OFF |
| • POWER AMP switch | ST1L-ST1R |
| • POWER AMP LEVEL VR | Maximum |
| • POWER switch | OFF |
| • PROGRAM switch | 1 |

■ CIRCUIT DIAGRAMS

■ CONTENTS

CIRCUIT DIAGRAM 1/9 (MAIN 1/5)	C1
CIRCUIT DIAGRAM 2/9 (MAIN 2/5)	C2
CIRCUIT DIAGRAM 3/9 (MAIN 3/5)	C3
CIRCUIT DIAGRAM 4/9 (MAIN 4/5)	C4
CIRCUIT DIAGRAM 5/9 (MAIN 5/5)	C5
CIRCUIT DIAGRAM 6/9 (DSP)	C6
CIRCUIT DIAGRAM 7/9 (PWR1 1/2)	C7
CIRCUIT DIAGRAM 8/9 (PWR1 2/2)	C8
CIRCUIT DIAGRAM 9/9 (PWR1/3, 2/3, 3/3)	C9



(F) : Metal Film Resister

(フ) : Flame Proof Carbon Resistor

(マ) : Mylar Capacitor

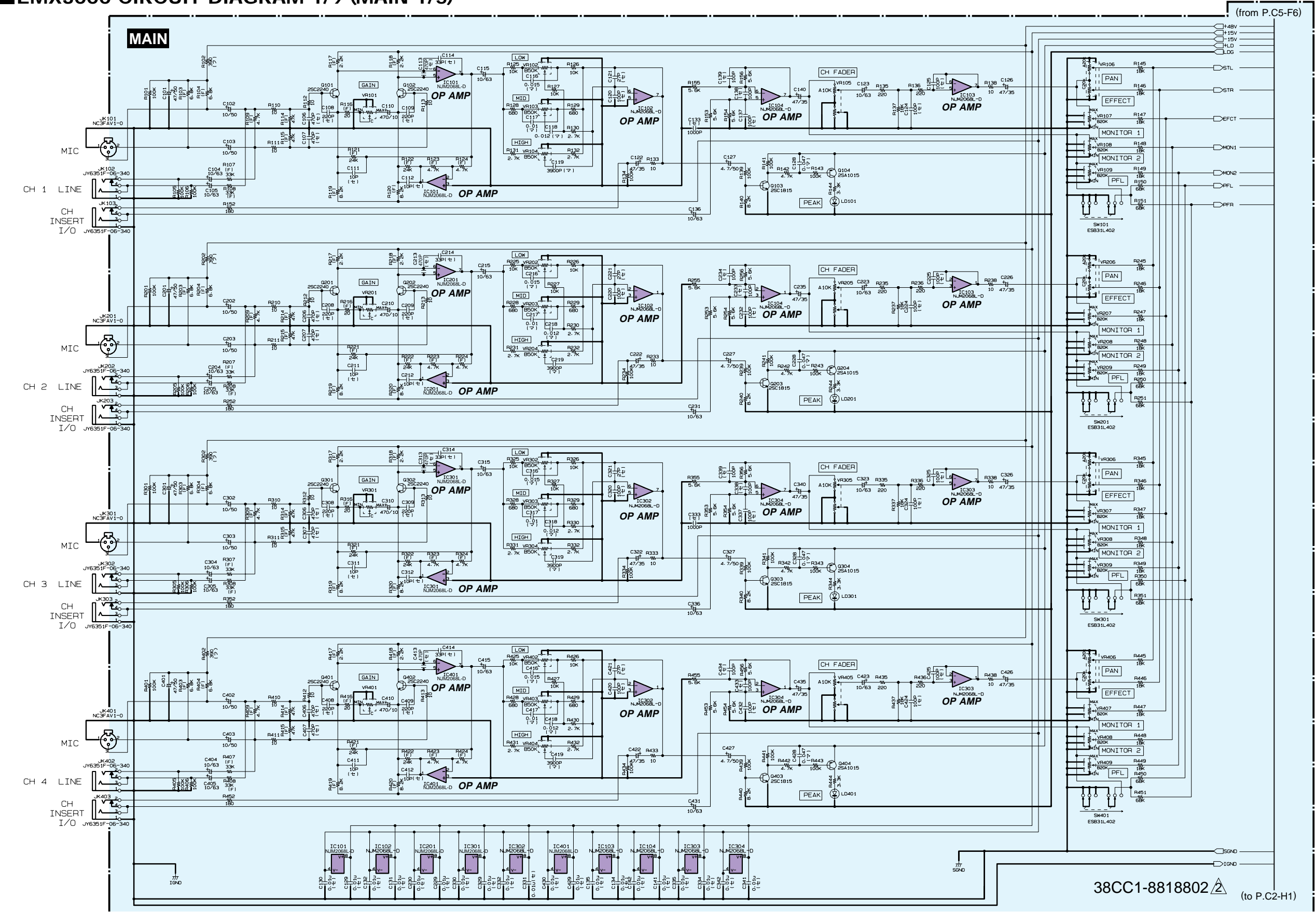
(セ) : Ceramic Capacitor

規格認定コン : Capacitor

Note : See parts list for details of circuit board component parts.

EMX3000 CIRCUIT DIAGRAM 1/9 (MAIN 1/5)

EMX3000



EMX3000

EMX3000

C1

EMX3000 CIRCUIT DIAGRAM 2/9 (MAIN 2/5)

(from P.C1-H6)

1

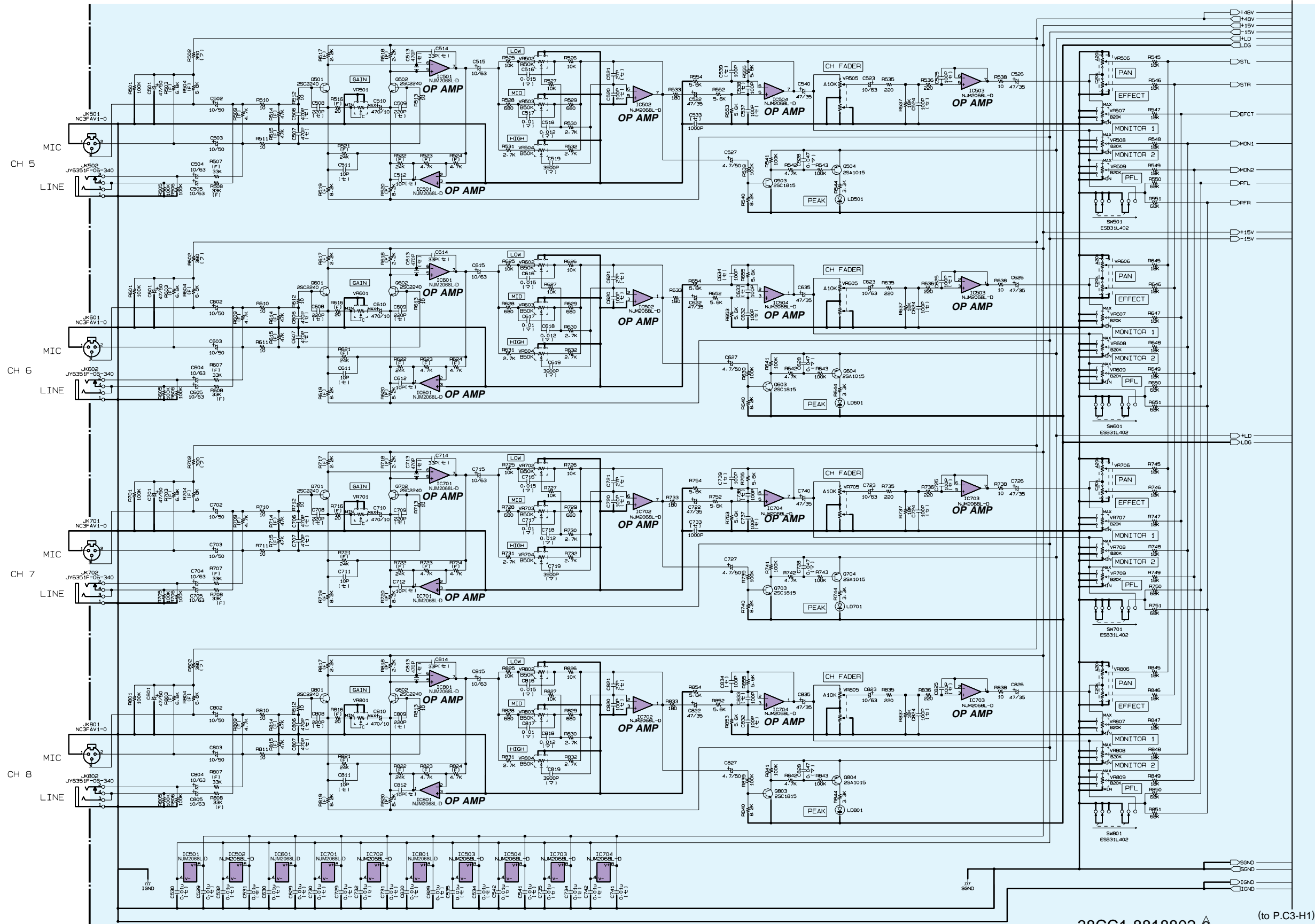
2

3

4

5

6

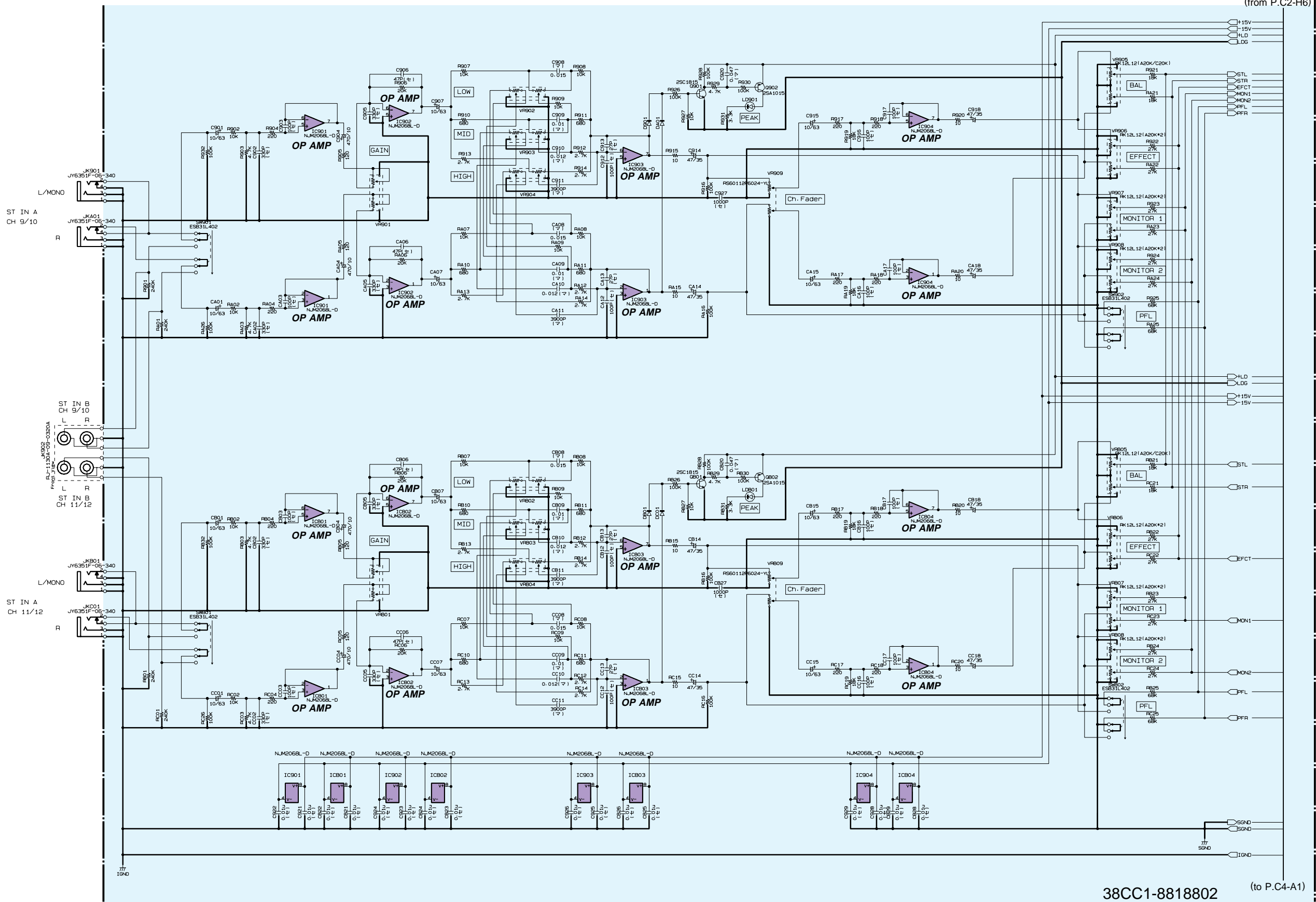


38CC1-8818802

(to P.C3-H1)

EMX3000 CIRCUIT DIAGRAM 3/9 (MAIN 3/5)

EMX3000



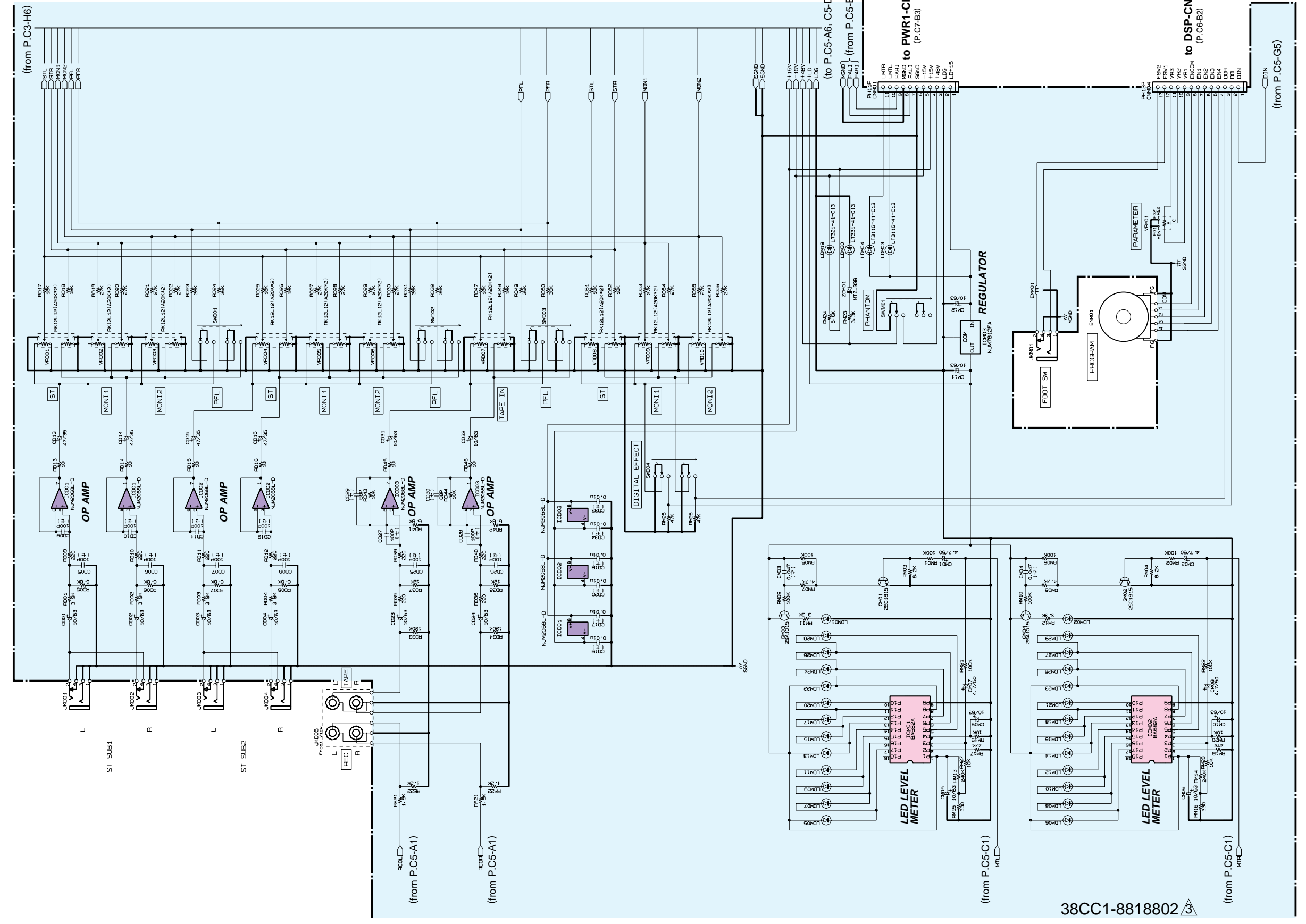
EMX3000

38CC1-8818802 (to P.C4-A1)

EMX3000

C3

EMX3000 CIRCUIT DIAGRAM 4/9 (MAIN 4/5)



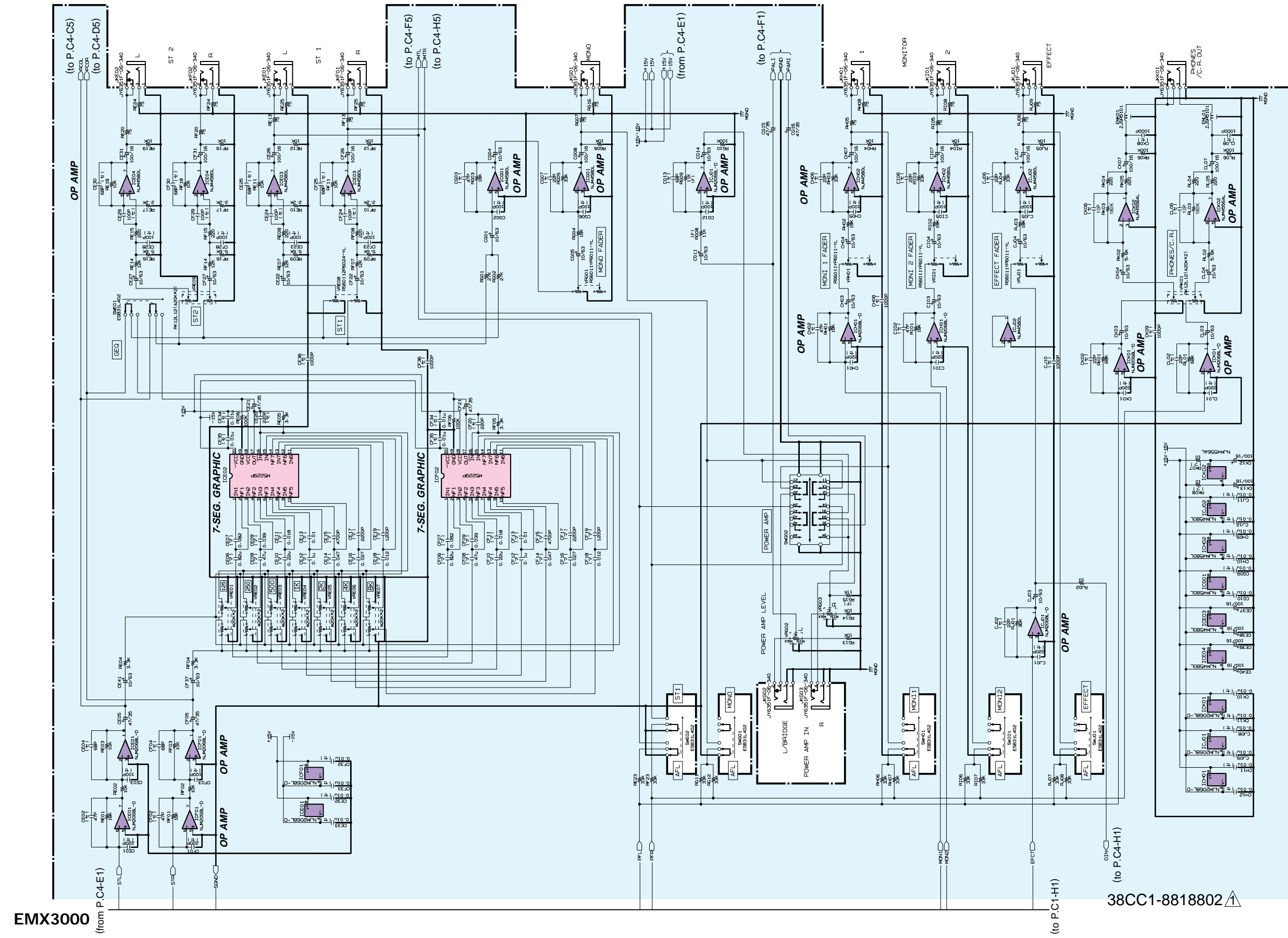
38CC1-8818802 3

C4 EMX3000

EMX3000

EMX3000 CIRCUIT DIAGRAM 5/9 (MAIN 5/5)

EMX3000



EMX3000

38CC1-8818802

EMX3000

C5

A

B

C

D

E

F

G

H

1

2

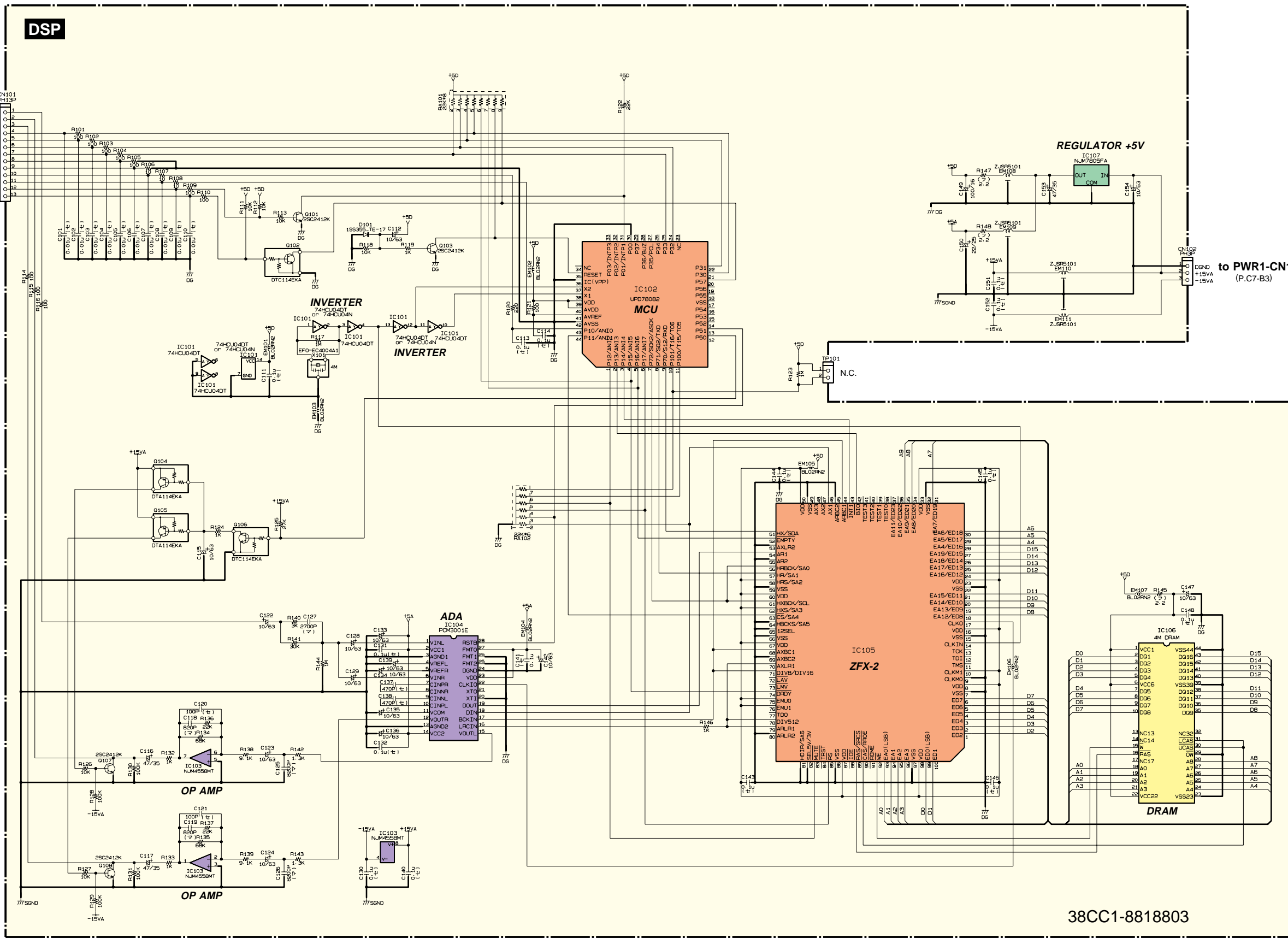
3

4

5

6

EMX3000 CIRCUIT DIAGRAM 6/9 (DSP)



38CC1-8818803

1

2

3

4

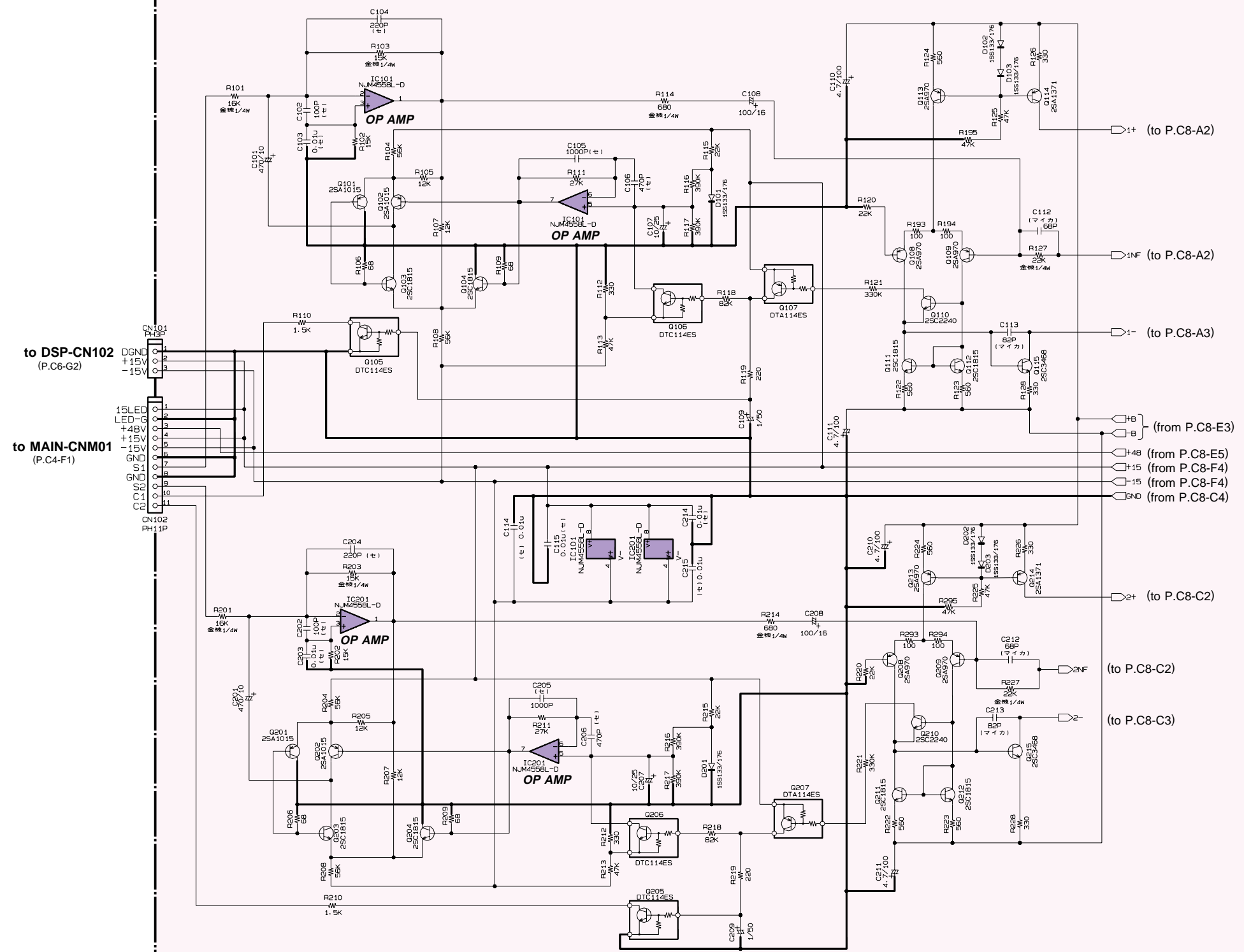
5

6

EMX3000 CIRCUIT DIAGRAM 7/9 (PWR1 1/2)

EMX3000

PWR1 1/2



38CC1-8818804

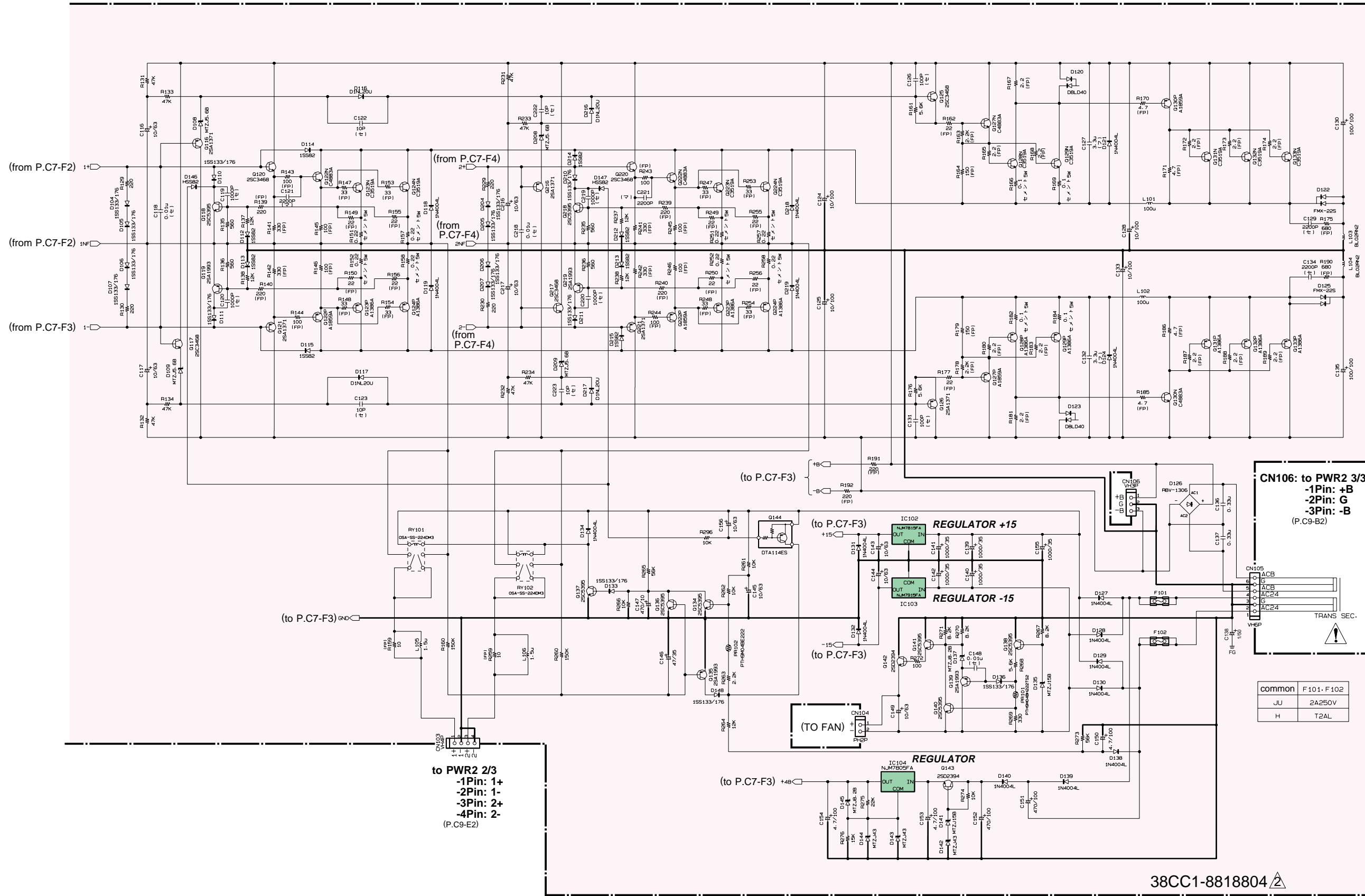
EMX3000

EMX3000

C7

EMX3000 CIRCUIT DIAGRAM 8/9 (PWR1 2/2)

EMX3000



CN106: to PWR2 3/3
 -1Pin: +B
 -2Pin: G
 -3Pin: -B
 (P.C9-B2)

common	F101-F102
JU	2A250V
H	T2AL

38CC1-8818804

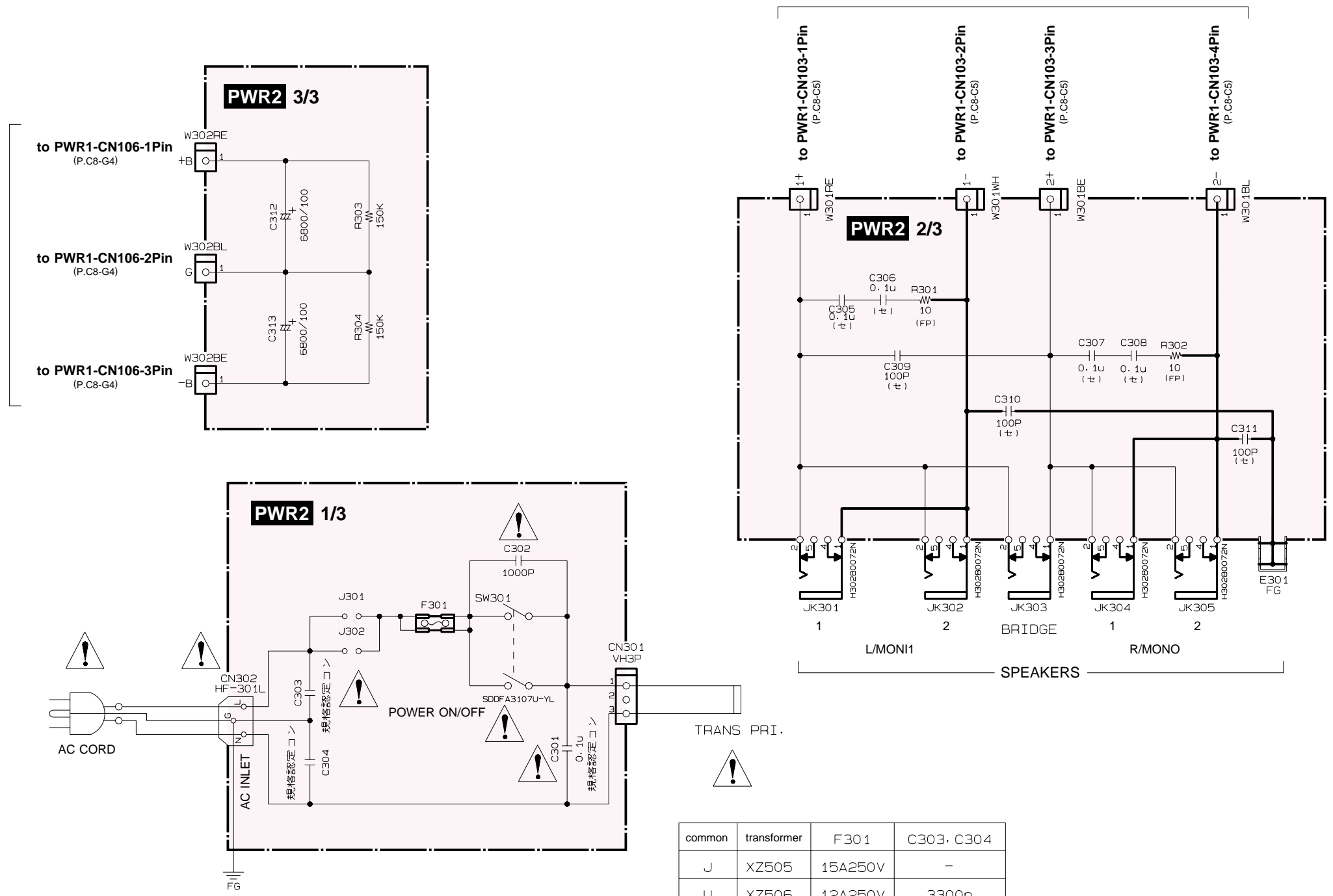
to PWR2 2/3
 -1Pin: 1+
 -2Pin: 1-
 -3Pin: 2+
 -4Pin: 2-
 (P.C9-E2)

C8 EMX3000

EMX3000

EMX3000 CIRCUIT DIAGRAM 9/9 (PWR2 1/3, 2/3, 3/3)

EMX3000



common	transformer	F301	C303, C304
J	XZ505	15A250V	-
U	XZ506	12A250V	3300p
H	XZ507	T6, 3AH	4700p
A			

38CC1-8818805

EMX3000

EMX3000

C9

POWERED MIXER

EMX 3000

PARTS LIST


■ CONTENTS

OVERALL ASSEMBLY	2
ELECTRICAL PARTS	5

Notes : DESTINATION ABBREVIATIONS

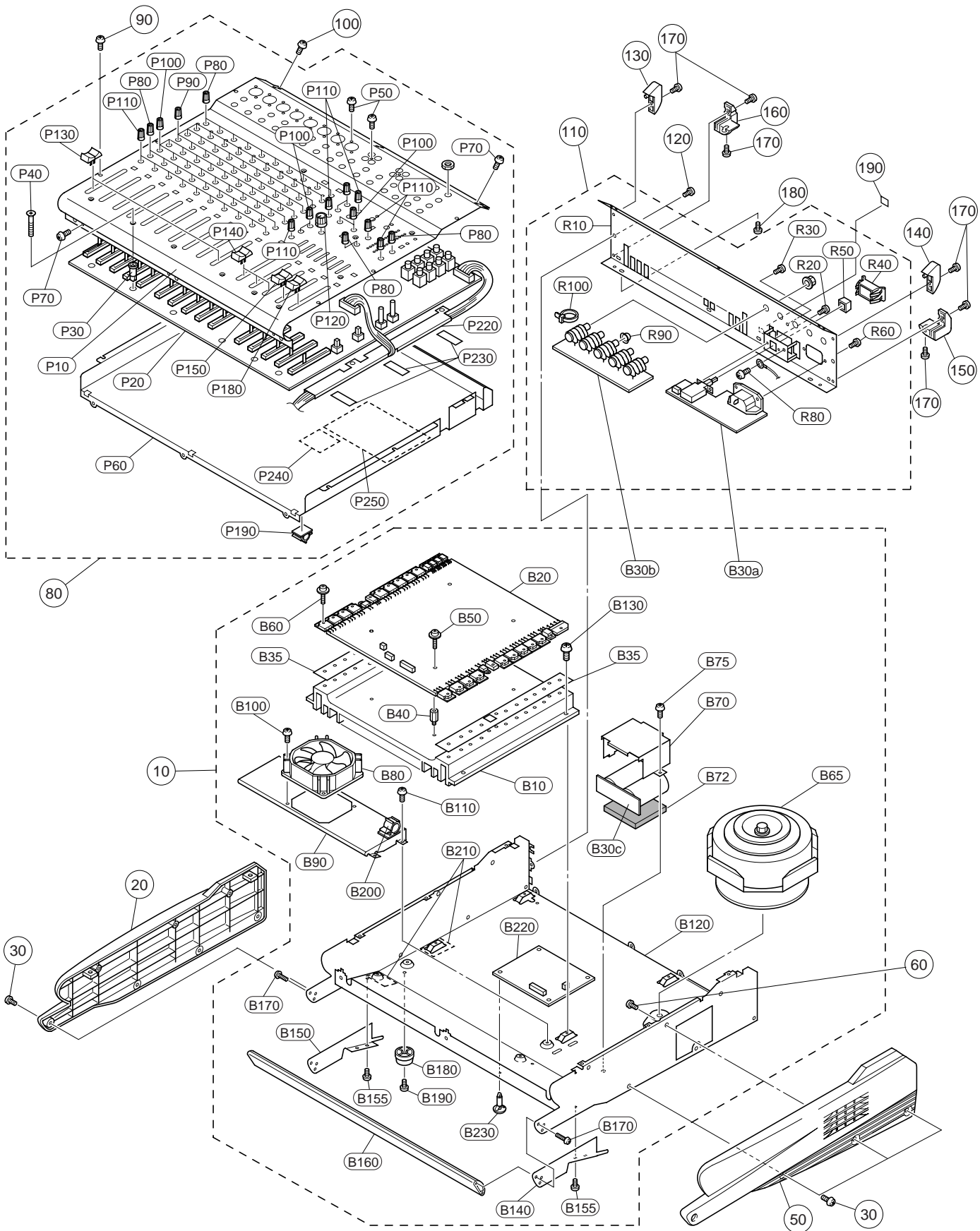
A : Australian model	M : South African model
B : British model	O : Chinese model
C : Canadian model	Q : South-east Asia model
D : German model	T : Taiwan model
E : European model	U : U.S.A. model
F : French model	V : General export model (110V)
H : North European model	W : General export model (220)
I : Indonesian model	N,X: General export model
J : Japanese model	Y : Export model

■ WARNING

Components having special characteristics are marked  and must be replaced with parts having specification equal to those originally installed.

- The numbers "QTY" show quantities for each unit.
- The parts with "--" in "PART NO." are not available as spare parts.
- This mark "}" in the REMARKS column means these parts are interchangeable.
- The second letter of the shaded (■) part number is O, not zero.
- The second letter of the shaded (■) part number is I, not one.

OVERALL ASSEMBLY



REF NO.	PART NO.	DESCRIPTION		REMARKS	QTY	RANK
	--	OVERALL ASSEMBLY		EMX3000		
	--	Overall Assembly	J	(V699180)		
	--	Overall Assembly	U	(V699190)		
	--	Overall Assembly	H	(V699200)		
	--	Overall Assembly	A	(V699210)		
10	--	Bottom Assembly	J	(V699230)		
10	--	Bottom Assembly	U	(V699350)		
10	--	Bottom Assembly	H	(V699360)		
10	--	Bottom Assembly	A	(V699370)		
* 20	V6996900	Side Pad L				
* 30	EG340190	Bind Head Tapping Screw-B	4.0X8 MFZN2BL		6	01
* 50	V6997000	Side Pad R				
60	EG340190	Bind Head Tapping Screw-B	4.0X8 MFZN2BL		6	01
80	--	Panel Assembly	J COM	(V699220)		
90	EP600230	Bind Head Tapping Screw-B	3.0X6 MFZN2BL		6	01
100	EG340190	Bind Head Tapping Screw-B	4.0X8 MFZN2BL		6	01
110	--	Rear Assembly	J	(V699380)		
110	--	Rear Assembly	U	(V699390)		
110	--	Rear Assembly	H	(V699400)		
110	--	Rear Assembly	A	(V699410)		
120	EP600230	Bind Head Tapping Screw-B	3.0X6 MFZN2BL		5	01
130	VZ700500	Connector Guard Upper	R			02
140	VZ700600	Connector Guard Upper	L			02
150	VZ700700	Connector Guard Lower	R			01
160	VZ700800	Connector Guard Lower	L			01
170	EP600230	Bind Head Tapping Screw-B	3.0X6 MFZN2BL		6	01
180	EP600230	Bind Head Tapping Screw-B	3.0X6 MFZN2BL		2	01
190	--	Cord Label		U (VA03930)		03
	--	Bottom Assembly	J	(V699230)		
	--	Bottom Assembly	U	(V699350)		
	--	Bottom Assembly	H	(V699360)		
	--	Bottom Assembly	A	(V699370)		
	--	Connector Assembly	2426&2426 3P 210L	(V705810)		
	VV104600	Cord Holder			4	01
* B10	V6786600	Heat Sink				
* B20	V6983300	Circuit Board	PWR1 J,U	J,U		
* B20	V6983400	Circuit Board	PWR1 H	H		
* B30a	AAAX24850	Circuit Board	PWR2 1/3	J (V698350)		
* B30a	AAAX24860	Circuit Board	PWR2 1/3	U (V698360)		
* B30a	AAAX24870	Circuit Board	PWR2 1/3	H,A (V698370)		
* B30b	AAAX24880	Circuit Board	PWR2 2/3	(V698350)		
* B30c	AAAX24890	Circuit Board	PWR2 3/3	(V698350)		
* B35	V6995900	Isolation Sheet			2	
B40	VV086500	Angle	H=7.4 B=5.5		4	01
B50	EG330290	Bind Head Screw	SP 3.0X8 MFZN2Y		4	01
B60	VJ470900	Pan Head Screw	SPK 3.0X12 MFZN2Y		28	
B65	XZ505A00	Power Transformer	J	J		
B65	XZ506A00	Power Transformer	U	U		
B65	XZ507A00	Power Transformer	H	H		
B65	XZ508A00	Power Transformer	A	A		
B70	--	Electrolytic Cap. Holder				(V703370)
B72	--	Cushion				(V739410)
B75	EP600230	Bind Head Tapping Screw-B	3.0X6 MFZN2BL		2	01
B80	V6024100	DC Fan	3110GL-B5W-B50-H01			08
B90	--	Fan Shield				(V699610)
B100	EG340190	Bind Head Tapping Screw-B	4.0X8 MFZN2BL		2	01
B110	EP600230	Bind Head Tapping Screw-B	3.0X6 MFZN2BL		4	01
* B120	V6996200	Bottom Chassis				
B130	EG340190	Bind Head Tapping Screw-B	4.0X8 MFZN2BL		4	01
B140	VZ523600	Plate	R			04
B150	VZ523700	Plate	L			04
B155	EP600230	Bind Head Tapping Screw-B	3.0X6 MFZN2BL		4	01
* B160	V6996300	Handle				
B170	VQ074600	Bind Head Tapping Screw-B	3.0X12 MFZN2BL		4	01
B180	VV085600	Leg			2	01
B190	VR138400	Bind Head Tapping Screw-B	4.0X12 MFZN2BL		2	01
B200	VZ765100	Cord Holder	TS-0708 KSS			02
* B210	V7394400	Screw Cover	35X20		2	
* B220	V6983200	Circuit Board	DSP EMX3K J	(XZ633B0)		

*: New Parts

RANK: Japan only

REF NO.	PART NO.	DESCRIPTION		REMARKS	QTY	RANK
B230	--	PCB Support	SCC-12 BL PINGOOD	(V764330)	4	
	--	Panel Assembly	J COM	(V699220)		
	--	Connector Assembly	2426&2426 12P	(V705820)		
	--	Connector Assembly	2426&2426 13P	(V705830)		
* P10	V6995500	Control Panel				
* P20	V6983100	Circuit Board	MAIN J	(XT783H0)		
P30	VV069200	PCB Support	NEW NIFCO		14	01
P40	VV095300	Pan Head Tapping Screw-B	3.0X25 MFZN2BL		14	01
P50	VN413300	Bonding Screw-B	3.0X8 MFZN2BL		18	01
P60	--	Shield Plate		(V699560)		
P70	EP600230	Bind Head Tapping Screw-B	3.0X6 MFZN2BL		6	01
P80	V6225600	Knob	L-GRAY/M-GRAY	CH1-12(GAIN,EFFECT), PARAMETER,C-R/PHONES	22	01
P90	V6225300	Knob	GREEN/M-GRAY	CH1-12(HIGH,MID,LOW)	30	01
P100	V6225400	Knob	BLUE/M-GRAY	MONI1,2(CH1-12,ST SUB 1, ST SUB 2,D. EFFECT)	26	01
P110	V6225500	Knob	RED/M-GRAY	PAN(CH1-8),BAL(CH9-12), ST(ST SUB1,2),TAPE IN ST, D. EFFECT ST,ST2	15	01
P120	V6225700	Knob	L-GRAY/D-GRAY	PROGRAM		01
P130	V2947000	Knob	BLACK/N-GRAY	Fader(CH1-12)	10	01
P140	V6623300	Knob	D-RED/CD-GRAY	Fader(MONI1,MONI2,EFFECT)	3	01
P150	V6623400	Knob	N-GRAY/D-RED	ST1 Fader		01
* P180	V7369500	Knob	N-GRAY/BLACK	MONO Fader		01
P190	VZ765100	Cord Binder	TS-0708 KSS			02
* P220	V7393800	Cover				
P230	--	Filament Tape	12X25	(V263830)		
P240	--	Caution Label		(V385110)		
P250	--	Transformer Cover		(V765040)		
	--	Rear Assembly	J	J (V699380)		
	--	Rear Assembly	U	U (V699390)		
	--	Rear Assembly	H	H (V699400)		
	--	Rear Assembly	A	A (V699410)		
* R10	V6996400	Rear Panel		J		
* R10	V6996500	Rear Panel		U		
* R10	V6996600	Rear Panel		H		
* R10	V6996700	Rear Panel		A		
R20	VB659000	Bind Head Screw	3.0X8 MFZN2BL		2	01
R30	VN413300	Bonding Screw-B	3.0X8 MFZN2BL			01
R40	VU859100	PSW Escutcheon				02
R50	VU859000	PSW Knob		POWER Switch		01
R60	EG340190	Bind Head Tapping Screw-B	4.0X8 MFZN2BL		2	01
R80	VP156800	Bind Head Screw	4.0X8 MFZN2BL			01
* R90	V7646900	Clip	FIB84 TIFCO			
R100	VV104600	Cord Holder				01
		ACCESSORIES				
	V6283900	AC Cord	BS H05VV-F3X0.75	B		
	V6284300	AC Cord	UC SJT#18X3	U,V		
	V6284400	AC Cord	E H05VV-FX3 0.75	H,W,A		
	V7240300	AC Cord	J VCTF 0.75X3	J		



*: New Parts

RANK: Japan only

ELECTRICAL PARTS

REF NO.	PART NO.	DESCRIPTION		REMARKS	QTY	RANK
		ELECTRICAL PARTS		EMX3000		
*	V6983300	Circuit Board	PWR1 EMX3K J,U	J,U (XZ656C0)		
*	V6983400	Circuit Board	PWR1 EMX3K H	H (XZ656C0)		
*	AAX24850	Circuit Board	PWR2 1/3	J (V698350)(XZ657B0)		
*	AAX24860	Circuit Board	PWR2 1/3	U (V698360)(XZ657B0)		
*	AAX24870	Circuit Board	PWR2 1/3	H,A (V698370)(XZ657B0)		
*	AAX24880	Circuit Board	PWR2 2/3	(V698350)(XZ657B0)		
*	AAX24890	Circuit Board	PWR2 3/3	(V698350)(XZ657B0)		
*	V6983200	Circuit Board	DSP J	(XZ633B0)		
*	V6983100	Circuit Board	MAIN J	(XT783H0)		
*	V6983300	Circuit Board	PWR1 EMX3K J,U	J,U (XZ656C0)		
*	V6983400	Circuit Board	PWR1 EMX3K H	H (XZ656C0)		
	--	Jumper Wire	0.60	(VV29140)		
	VV319600	Fuse Holder	CQ-05CT			01
C101	UR828470	Electrolytic Cap.	470.00 10.0V			01
C102	VZ353500	Ceramic Capacitor-SL	100P 50V J			01
C103	VZ354000	Ceramic Capacitor-F	0.0100 50V Z			01
C104	VZ353600	Ceramic Capacitor-B	220P 50V K			01
C105	VZ353900	Ceramic Capacitor-B	1000P 50V K			01
C106	VZ353800	Ceramic Capacitor-B	470P 50V K			01
C107	UR847100	Electrolytic Cap.	10.00 25.0V			01
C108	UR838100	Electrolytic Cap.	100.00 16.0V			01
C109	UR866100	Electrolytic Cap.	1.00 50.0V			01
C110	UR896470	Electrolytic Cap.	4.7 100.0V			01
C111	UR896470	Electrolytic Cap.	4.7 100.0V			01
C112	FU451680	Mica Capacitor	68P 500V J			01
C113	FU451820	Mica Capacitor	82P 500V J			01
C114	VZ354000	Ceramic Capacitor-F	0.0100 50V Z			01
C115	VZ354000	Ceramic Capacitor-F	0.0100 50V Z			01
C116	UR877100	Electrolytic Cap.	10.00 63.0V			01
C117	UR877100	Electrolytic Cap.	10.00 63.0V			01
C118	VZ354000	Ceramic Capacitor-F	0.0100 50V Z			01
C119	VZ353900	Ceramic Capacitor-B	1000P 50V K			01
C120	VZ353900	Ceramic Capacitor-B	1000P 50V K			01
C121	UA953220	Mylar Capacitor	2200P 50V J			01
C122	V4567500	Ceramic Capacitor-SL	10P 500V K			01
C123	V4567500	Ceramic Capacitor-SL	10P 500V K			01
C124	UR897100	Electrolytic Cap.	10.0 100.0V			01
C125	UR897100	Electrolytic Cap.	10.0 100.0V			01
C126	V3280500	Ceramic Capacitor-B	100P 500 K			01
C127	VV082200	Film Capacitor	3.3000 100V M			03
C128	UR897100	Electrolytic Cap.	10.0 100.0V			01
C129	VZ354300	Ceramic Capacitor-E	0.0022 500 M			01
C130	V5307900	Electrolytic Cap.	100 100.0V			01
C131	V3280500	Ceramic Capacitor-B	100P 500 K			01
C132	VV082200	Film Capacitor	3.3000 100V M			03
C133	UR897100	Electrolytic Cap.	10.0 100.0V			01
C134	VZ354300	Ceramic Capacitor-E	0.0022 500 M			01
C135	V5307900	Electrolytic Cap.	100 100.0V			01
C136	V3148500	Film Capacitor	0.33 250V M			01
C137	V3148500	Film Capacitor	0.33 250V M			01
C138	UR866100	Electrolytic Cap.	1.00 50.0V			01
C139	V5482000	Electrolytic Cap.	1000 35.0V			01
-142	V5482000	Electrolytic Cap.	1000 35.0V			01
C143	UR877100	Electrolytic Cap.	10.00 63.0V			01
-145	UR877100	Electrolytic Cap.	10.00 63.0V			01
C146	UR857470	Electrolytic Cap.	47.00 35.0V			01
C147	UR828470	Electrolytic Cap.	470.00 10.0V			01
C148	VZ354000	Ceramic Capacitor-F	0.0100 50V Z			01
C149	UR877100	Electrolytic Cap.	10.00 63.0V			01
C150	UR896470	Electrolytic Cap.	4.7 100.0V			01
C151	V3158100	Electrolytic Cap.	470 100.0V			02
C152	V3158100	Electrolytic Cap.	470 100.0V			02
C153	UR896470	Electrolytic Cap.	4.7 100.0V			01
C154	UR896470	Electrolytic Cap.	4.7 100.0V			01
C155	V5482000	Electrolytic Cap.	1000 35.0V			01
C156	UR877100	Electrolytic Cap.	10.00 63.0V			01
C201	UR828470	Electrolytic Cap.	470.00 10.0V			01
C202	VZ353500	Ceramic Capacitor-SL	100P 50V J			01

*: New Parts

RANK: Japan only

REF NO.	PART NO.	DESCRIPTION	REMARKS	QTY	RANK
C203	VZ354000	Ceramic Capacitor-F	0.0100 50V Z		01
C204	VZ353600	Ceramic Capacitor-B	220P 50V K		01
C205	VZ353900	Ceramic Capacitor-B	1000P 50V K		01
C206	VZ353800	Ceramic Capacitor-B	470P 50V K		01
C207	UR847100	Electrolytic Cap.	10.00 25.0V		01
C208	UR838100	Electrolytic Cap.	100.00 16.0V		01
C209	UR866100	Electrolytic Cap.	1.00 50.0V		01
C210	UR896470	Electrolytic Cap.	4.7 100.0V		01
C211	UR896470	Electrolytic Cap.	4.7 100.0V		01
C212	FU451680	Mica Capacitor	68P 500V J		01
C213	FU451820	Mica Capacitor	82P 500V J		01
C214	VZ354000	Ceramic Capacitor-F	0.0100 50V Z		01
C215	VZ354000	Ceramic Capacitor-F	0.0100 50V Z		01
C216	UR877100	Electrolytic Cap.	10.00 63.0V		01
C217	UR877100	Electrolytic Cap.	10.00 63.0V		01
C218	VZ354000	Ceramic Capacitor-F	0.0100 50V Z		01
C219	VZ353900	Ceramic Capacitor-B	1000P 50V K		01
C220	VZ353900	Ceramic Capacitor-B	1000P 50V K		01
C221	UA953220	Mylar Capacitor	2200P 50V J		01
C222	V4567500	Ceramic Capacitor-SL	10P 500V K		01
C223	V4567500	Ceramic Capacitor-SL	10P 500V K		01
CN101	VV066300	Base Post	3P TE		01
CN102	VV067200	Base Post	12P TE		01
CN103	LB932040	Base Post	4P TE		01
CN104	VV066200	Base Post	2P TE		01
CN105	LB932060	Base Post	6P TE		01
CN106	LB932030	Base Post	3P TE		01
D101	VD631600	Diode	1SS133,176,HSS104		01
-107	VD631600	Diode	1SS133,176,HSS104		01
D108	VG437700	Zener Diode	MTZ J 5.6B 5.6V		01
D109	VG437700	Zener Diode	MTZ J 5.6B 5.6V		01
D110	VD631600	Diode	1SS133,176,HSS104		01
D111	VD631600	Diode	1SS133,176,HSS104		01
D112	IF005560	Diode	1SS82TD		01
-115	IF005560	Diode	1SS82TD		01
D116	VN478200	Diode	D1NL20U		01
D117	VN478200	Diode	D1NL20U		01
D118	VU801600	Diode	1N4004L		01
D119	VU801600	Diode	1N4004L		01
D120	VR149700	Twin Diode	D8LD40 8.0A 400V		04
D121	VU801600	Diode	1N4004L		01
D122	VS135800	Twin Diode	FMX-22S 10.0A 200V		03
D123	VR149700	Twin Diode	D8LD40 8.0A 400V		04
D124	VU801600	Diode	1N4004L		01
D125	VS135800	Twin Diode	FMX-22S 10.0A 200V		03
D126	V2261600	Diode	RBV-1306 13.0A 600		04
-134	VU801600	Diode	1N4004L		01
D135	VG440800	Zener Diode	MTZ J 15.0B 15.0V		01
D136	VD631600	Diode	1SS133,176,HSS104		01
D137	VG438900	Zener Diode	MTZ J 8.2B 8.2V		01
D138	VU801600	Diode	1N4004L		01
-140	VU801600	Diode	1N4004L		01
D141	VG440800	Zener Diode	MTZ J 15.0B 15.0V		01
D142	VV335500	Zener Diode	MTZ J 43 43.0V		01
-144	VV335500	Zener Diode	MTZ J 43 43.0V		01
D145	VG438900	Zener Diode	MTZ J 8.2B 8.2V		01
D146	VQ469600	Diode	HSS82		01
D147	VQ469600	Diode	HSS82		01
D148	VD631600	Diode	1SS133,176,HSS104		01
D201	VD631600	Diode	1SS133,176,HSS104		01
-207	VD631600	Diode	1SS133,176,HSS104		01
D208	VG437700	Zener Diode	MTZ J 5.6B 5.6V		01
D209	VG437700	Zener Diode	MTZ J 5.6B 5.6V		01
D210	VD631600	Diode	1SS133,176,HSS104		01
D211	VD631600	Diode	1SS133,176,HSS104		01
D212	IF005560	Diode	1SS82TD		01
-215	IF005560	Diode	1SS82TD		01
D216	VN478200	Diode	D1NL20U		01
D217	VN478200	Diode	D1NL20U		01
D218	VU801600	Diode	1N4004L		01

*: New Parts

RANK: Japan only

REF NO.	PART NO.	DESCRIPTION		REMARKS	QTY	RANK
D219	VU801600	Diode	1N4004L			01
F101	VV070600	Fuse	TDS 2A 250V J/U/C	J,U		01
F101	VV071500	Fuse	TSD 2A 250V SEMKO	H		01
F102	VV070600	Fuse	TDS 2A 250V J/U/C	J,U		01
F102	VV071500	Fuse	TSD 2A 250V SEMKO	H		01
IC101	XQ212A00	IC	NJM4558L-D	OP AMP		03
IC102	XD853A00	IC	NJM7815FA	REGULATOR		03
IC103	XD854A00	IC	NJM7915FA	REGULATOR		03
IC104	XJ607A00	IC	NJM7805FA	REGULATOR 5V		02
IC201	XQ212A00	IC	NJM4558L-D	OP AMP		03
L101	V4668300	Coil	OH-20 100UH			08
L102	V4668300	Coil	OH-20 100UH			08
L103	GE300670	Ferrite Bead	BL02RN2-R62T4			02
L104	GE300670	Ferrite Bead	BL02RN2-R62T4			02
L105	VR150900	Coil	RZ-001 21mm			02
L106	VR150900	Coil	RZ-001 21mm			02
PR101	VL964800	Polyphonic Resistor	PTH9M04BH222TS2			04
PR102	VL965100	Polyphonic Resistor	PTH9M04BE222TS2			04
Q101	IA101590	Transistor	2SA1015 O,Y			01
Q102	IA101590	Transistor	2SA1015 O,Y			01
Q103	IC1815M0	Transistor	2SC1815 Y,GR			01
Q104	IC1815M0	Transistor	2SC1815 Y,GR			01
Q105	VD678700	Digital Transistor	DTC114ES			01
Q106	VD678700	Digital Transistor	DTC114ES			01
Q107	VD678500	Digital Transistor	DTA114ES			01
Q108	IA097030	Transistor	2SA970 GR,BL			01
Q109	IA097030	Transistor	2SA970 GR,BL			01
Q110	IC224030	Transistor	2SC2240 GR,BL			01
Q111	IC1815M0	Transistor	2SC1815 Y,GR			01
Q112	IC1815M0	Transistor	2SC1815 Y,GR			01
Q113	IA097030	Transistor	2SA970 GR,BL			01
Q114	VU418400	Transistor	2SA1371 D,E			01
Q115	VU418600	Transistor	2SC3468 D,E			01
Q116	VU418400	Transistor	2SA1371 D,E			01
Q117	VU418600	Transistor	2SC3468 D,E			01
Q118	V2797700	Transistor	2SC5395 E,F			01
Q119	V2797600	Transistor	2SA1993 E,F			01
Q120	VU418600	Transistor	2SC3468 D,E			01
Q121	VU418400	Transistor	2SA1371 D,E			01
Q122N	VR732800	Pair Transistor	A1859A/C4883A			04
Q122P	VR732800	Pair Transistor	A1859A/C4883A			04
Q123N	V5611000	Pair Transistor	A1386A/C3519A			05
Q123P	V5611000	Pair Transistor	A1386A/C3519A			05
Q124N	V5611000	Pair Transistor	A1386A/C3519A			05
Q124P	V5611000	Pair Transistor	A1386A/C3519A			05
Q125	VU418600	Transistor	2SC3468 D,E			01
Q126	VU418400	Transistor	2SA1371 D,E			01
Q127N	VR732800	Pair Transistor	A1859A/C4883A			04
Q127P	VR732800	Pair Transistor	A1859A/C4883A			04
Q128N	V5611000	Pair Transistor	A1386A/C3519A			05
Q128P	V5611000	Pair Transistor	A1386A/C3519A			05
Q129N	V5611000	Pair Transistor	A1386A/C3519A			05
Q129P	V5611000	Pair Transistor	A1386A/C3519A			05
Q130N	VR732800	Pair Transistor	A1859A/C4883A			04
Q130P	VR732800	Pair Transistor	A1859A/C4883A			04
Q131N	V5611000	Pair Transistor	A1386A/C3519A			05
Q131P	V5611000	Pair Transistor	A1386A/C3519A			05
Q132N	V5611000	Pair Transistor	A1386A/C3519A			05
Q132P	V5611000	Pair Transistor	A1386A/C3519A			05
Q133N	V5611000	Pair Transistor	A1386A/C3519A			05
Q133P	V5611000	Pair Transistor	A1386A/C3519A			05
Q134	V2797700	Transistor	2SC5395 E,F			01
Q135	V2797600	Transistor	2SA1993 E,F			01
Q136	V2797700	Transistor	2SC5395 E,F			01
-138	V2797700	Transistor	2SC5395 E,F			01
Q139	V2797600	Transistor	2SA1993 E,F			01
Q140	V2797700	Transistor	2SC5395 E,F			01
Q141	V2797700	Transistor	2SC5395 E,F			01
Q142	VS883400	Transistor	2SD2394 E,F			02
Q143	VS883400	Transistor	2SD2394 E,F			02

*: New Parts

RANK: Japan only

REF NO.	PART NO.	DESCRIPTION	REMARKS	QTY	RANK
Q144	VD678500	Digital Transistor	DTA114ES		01
Q201	IA101590	Transistor	2SA1015 O,Y		01
Q202	IA101590	Transistor	2SA1015 O,Y		01
Q203	IC1815M0	Transistor	2SC1815 Y,GR		01
Q204	IC1815M0	Transistor	2SC1815 Y,GR		01
Q205	VD678700	Digital Transistor	DTC114ES		01
Q206	VD678700	Digital Transistor	DTC114ES		01
Q207	VD678500	Digital Transistor	DTA114ES		01
Q208	IA097030	Transistor	2SA970 GR,BL		01
Q209	IA097030	Transistor	2SA970 GR,BL		01
Q210	IC224030	Transistor	2SC2240 GR,BL		01
Q211	IC1815M0	Transistor	2SC1815 Y,GR		01
Q212	IC1815M0	Transistor	2SC1815 Y,GR		01
Q213	IA097030	Transistor	2SA970 GR,BL		01
Q214	VU418400	Transistor	2SA1371 D,E		01
Q215	VU418600	Transistor	2SC3468 D,E		01
Q216	VU418400	Transistor	2SA1371 D,E		01
Q217	VU418600	Transistor	2SC3468 D,E		01
Q218	V2797700	Transistor	2SC5395 E,F		01
Q219	V2797600	Transistor	2SA1993 E,F		01
Q220	VU418600	Transistor	2SC3468 D,E		01
Q221	VU418400	Transistor	2SA1371 D,E		01
Q222N	VR732800	Pair Transistor	A1859A/C4883A		04
Q222P	VR732800	Pair Transistor	A1859A/C4883A		04
Q223N	V5611000	Pair Transistor	A1386A/C3519A		05
Q223P	V5611000	Pair Transistor	A1386A/C3519A		05
Q224N	V5611000	Pair Transistor	A1386A/C3519A		05
Q224P	V5611000	Pair Transistor	A1386A/C3519A		05
R101	V2961300	Metal Film Resistor	16K 1/4 F		
R102	HF457150	Carbon Resistor	15.0K 1/4 J		01
R103	VZ009900	Metal Film Resistor	15K 1/4 F		01
R104	HF457560	Carbon Resistor	56.0K 1/4 J		01
R105	HF457120	Carbon Resistor	12.0K 1/4 J		01
R106	HF454680	Carbon Resistor	68.0 1/4 J		01
R107	HF457120	Carbon Resistor	12.0K 1/4 J		01
R108	HF457560	Carbon Resistor	56.0K 1/4 J		01
R109	HF454680	Carbon Resistor	68.0 1/4 J		01
R110	HF456150	Carbon Resistor	1.5K 1/4 J		01
R111	HF457270	Carbon Resistor	27.0K 1/4 J		01
R112	HF455330	Carbon Resistor	330.0 1/4 J		01
R113	HF457470	Carbon Resistor	47.0K 1/4 J		01
R114	VV312800	Metal Film Resistor	680.0 1/4 F		01
R115	HF457220	Carbon Resistor	22.0K 1/4 J		01
R116	HF458390	Carbon Resistor	390.0K 1/4 J		01
R117	HF458390	Carbon Resistor	390.0K 1/4 J		01
R118	HF457820	Carbon Resistor	82.0K 1/4 J		01
R119	HF455220	Carbon Resistor	220.0 1/4 J		01
R120	HF457220	Carbon Resistor	22.0K 1/4 J		01
R121	HF458330	Carbon Resistor	330.0K 1/4 J		01
R122	HF455560	Carbon Resistor	560.0 1/4 J		01
-124	HF455560	Carbon Resistor	560.0 1/4 J		01
R125	HF457470	Carbon Resistor	47.0K 1/4 J		01
R126	HF455330	Carbon Resistor	330.0 1/4 J		01
R127	VV312900	Metal Film Resistor	22K 1/4 F		01
R128	HF455330	Carbon Resistor	330.0 1/4 J		01
R129	HF455220	Carbon Resistor	220.0 1/4 J		01
R130	HF455220	Carbon Resistor	220.0 1/4 J		01
R131	HF457470	Carbon Resistor	47.0K 1/4 J		01
-134	HF457470	Carbon Resistor	47.0K 1/4 J		01
R135	HF455560	Carbon Resistor	560.0 1/4 J		01
R136	HF455560	Carbon Resistor	560.0 1/4 J		01
R137	HF457120	Carbon Resistor	12.0K 1/4 J		01
R138	HF457120	Carbon Resistor	12.0K 1/4 J		01
R139	VV313800	Flame Proof C. Resistor	220.0 1/4 J		01
R140	VV313800	Flame Proof C. Resistor	220.0 1/4 J		01
R141	VZ009300	Flame Proof C. Resistor	330.0 1/4 J		01
R142	VZ009300	Flame Proof C. Resistor	330.0 1/4 J		01
R143	VV276800	Flame Proof C. Resistor	100 1/4 J		01
-146	VV276800	Flame Proof C. Resistor	100 1/4 J		01
R147	VZ009100	Flame Proof C. Resistor	33.0 1/4 J		01

*: New Parts

RANK: Japan only

REF NO.	PART NO.	DESCRIPTION		REMARKS	QTY	RANK
R148	VZ009100	Flame Proof C. Resistor	33.0 1/4 J			01
R149	VZ008800	Flame Proof C. Resistor	22.0 1/4 J			01
R150	VZ008800	Flame Proof C. Resistor	22.0 1/4 J			01
R151	V4833200	Cement Resistor	0.22 5W K			01
R152	V4833200	Cement Resistor	0.22 5W K			01
R153	VZ009100	Flame Proof C. Resistor	33.0 1/4 J			01
R154	VZ009100	Flame Proof C. Resistor	33.0 1/4 J			01
R155	VZ008800	Flame Proof C. Resistor	22.0 1/4 J			01
R156	VZ008800	Flame Proof C. Resistor	22.0 1/4 J			01
R157	V4833200	Cement Resistor	0.22 5W K			01
R158	V4833200	Cement Resistor	0.22 5W K			01
R159	VV058500	Flame Proof C. Resistor	10.0 1/4 J			01
R160	HF458150	Carbon Resistor	150.0K 1/4 J			01
R161	HF456560	Carbon Resistor	5.6K 1/4 J			01
R162	VZ008800	Flame Proof C. Resistor	22.0 1/4 J			01
R163	VZ008700	Flame Proof C. Resistor	2.2K 1/4 J			01
R164	VZ008600	Flame Proof C. Resistor	150.0 1/4 J			01
R165	VV313600	Flame Proof C. Resistor	2.2 1/4 J			01
R166	VZ370200	Cement Resistor	0.1 5W K			01
R167	VV313600	Flame Proof C. Resistor	2.2 1/4 J			01
R168	VV313600	Flame Proof C. Resistor	2.2 1/4 J			01
R169	VZ370200	Cement Resistor	0.1 5W K			01
R170	VV276700	Flame Proof C. Resistor	4.7 1/4 J			01
R171	VV276700	Flame Proof C. Resistor	4.7 1/4 J			01
R172	VV313600	Flame Proof C. Resistor	2.2 1/4 J			01
-174	VV313600	Flame Proof C. Resistor	2.2 1/4 J			01
R175	VV313900	Flame Proof C. Resistor	680.0 1/4 J			01
R176	HF456560	Carbon Resistor	5.6K 1/4 J			01
R177	VZ008800	Flame Proof C. Resistor	22.0 1/4 J			01
R178	VZ008700	Flame Proof C. Resistor	2.2K 1/4 J			01
R179	VZ008600	Flame Proof C. Resistor	150.0 1/4 J			01
R180	VV313600	Flame Proof C. Resistor	2.2 1/4 J			01
R181	VV313600	Flame Proof C. Resistor	2.2 1/4 J			01
R182	VZ370200	Cement Resistor	0.1 5W K			01
R183	VV313600	Flame Proof C. Resistor	2.2 1/4 J			01
R184	VZ370200	Cement Resistor	0.1 5W K			01
R185	VV276700	Flame Proof C. Resistor	4.7 1/4 J			01
R186	VV276700	Flame Proof C. Resistor	4.7 1/4 J			01
R187	VV313600	Flame Proof C. Resistor	2.2 1/4 J			01
-189	VV313600	Flame Proof C. Resistor	2.2 1/4 J			01
R190	VV313900	Flame Proof C. Resistor	680.0 1/4 J			01
R191	VV313800	Flame Proof C. Resistor	220.0 1/4 J			01
R192	VV313800	Flame Proof C. Resistor	220.0 1/4 J			01
R193	HF455100	Carbon Resistor	100.0 1/4 J			01
R194	HF455100	Carbon Resistor	100.0 1/4 J			01
R195	HF457470	Carbon Resistor	47.0K 1/4 J			01
R201	V2961300	Metal Film Resistor	16K 1/4 F			01
R202	HF457150	Carbon Resistor	15.0K 1/4 J			01
R203	VZ009900	Metal Film Resistor	15K 1/4 F			01
R204	HF457560	Carbon Resistor	56.0K 1/4 J			01
R205	HF457120	Carbon Resistor	12.0K 1/4 J			01
R206	HF454680	Carbon Resistor	68.0 1/4 J			01
R207	HF457120	Carbon Resistor	12.0K 1/4 J			01
R208	HF457560	Carbon Resistor	56.0K 1/4 J			01
R209	HF454680	Carbon Resistor	68.0 1/4 J			01
R210	HF456150	Carbon Resistor	1.5K 1/4 J			01
R211	HF457270	Carbon Resistor	27.0K 1/4 J			01
R212	HF455330	Carbon Resistor	330.0 1/4 J			01
R213	HF457470	Carbon Resistor	47.0K 1/4 J			01
R214	VV312800	Metal Film Resistor	680.0 1/4 F			01
R215	HF457220	Carbon Resistor	22.0K 1/4 J			01
R216	HF458390	Carbon Resistor	390.0K 1/4 J			01
R217	HF458390	Carbon Resistor	390.0K 1/4 J			01
R218	HF457820	Carbon Resistor	82.0K 1/4 J			01
R219	HF455220	Carbon Resistor	220.0 1/4 J			01
R220	HF457220	Carbon Resistor	22.0K 1/4 J			01
R221	HF458330	Carbon Resistor	330.0K 1/4 J			01
R222	HF455560	Carbon Resistor	560.0 1/4 J			01
-224	HF455560	Carbon Resistor	560.0 1/4 J			01
R225	HF457470	Carbon Resistor	47.0K 1/4 J			01

*: New Parts

RANK: Japan only

REF NO.	PART NO.	DESCRIPTION		REMARKS	QTY	RANK
R226	HF455330	Carbon Resistor	330.0 1/4 J			01
R227	VV312900	Metal Film Resistor	22K 1/4 F			01
R228	HF455330	Carbon Resistor	330.0 1/4 J			01
R229	HF455220	Carbon Resistor	220.0 1/4 J			01
R230	HF455220	Carbon Resistor	220.0 1/4 J			01
R231	HF457470	Carbon Resistor	47.0K 1/4 J			01
-234	HF457470	Carbon Resistor	47.0K 1/4 J			01
R235	HF455560	Carbon Resistor	560.0 1/4 J			01
R236	HF455560	Carbon Resistor	560.0 1/4 J			01
R237	HF457120	Carbon Resistor	12.0K 1/4 J			01
R238	HF457120	Carbon Resistor	12.0K 1/4 J			01
R239	VV313800	Flame Proof C. Resistor	220.0 1/4 J			01
R240	VV313800	Flame Proof C. Resistor	220.0 1/4 J			01
R241	VZ009300	Flame Proof C. Resistor	330.0 1/4 J			01
R242	VZ009300	Flame Proof C. Resistor	330.0 1/4 J			01
R243	VV276800	Flame Proof C. Resistor	100 1/4 J			01
-246	VV276800	Flame Proof C. Resistor	100 1/4 J			01
R247	VZ009100	Flame Proof C. Resistor	33.0 1/4 J			01
R248	VZ009100	Flame Proof C. Resistor	33.0 1/4 J			01
R249	VZ008800	Flame Proof C. Resistor	22.0 1/4 J			01
R250	VZ008800	Flame Proof C. Resistor	22.0 1/4 J			01
R251	V4833200	Cement Resistor	0.22 5W K			01
R252	V4833200	Cement Resistor	0.22 5W K			01
R253	VZ009100	Flame Proof C. Resistor	33.0 1/4 J			01
R254	VZ009100	Flame Proof C. Resistor	33.0 1/4 J			01
R255	VZ008800	Flame Proof C. Resistor	22.0 1/4 J			01
R256	VZ008800	Flame Proof C. Resistor	22.0 1/4 J			01
R257	V4833200	Cement Resistor	0.22 5W K			01
R258	V4833200	Cement Resistor	0.22 5W K			01
R259	VV058500	Flame Proof C. Resistor	10.0 1/4 J			01
R260	HF458150	Carbon Resistor	150.0K 1/4 J			01
R261	HF457100	Carbon Resistor	10.0K 1/4 J			01
R262	HF457100	Carbon Resistor	10.0K 1/4 J			01
R263	HF456220	Carbon Resistor	2.2K 1/4 J			01
R264	HF457120	Carbon Resistor	12.0K 1/4 J			01
R265	HF457560	Carbon Resistor	56.0K 1/4 J			01
R266	HF457100	Carbon Resistor	10.0K 1/4 J			01
R267	HF456820	Carbon Resistor	8.2K 1/4 J			01
R268	HF456560	Carbon Resistor	5.6K 1/4 J			01
R269	HF455330	Carbon Resistor	330.0 1/4 J			01
R270	HF456820	Carbon Resistor	8.2K 1/4 J			01
R271	HF456820	Carbon Resistor	8.2K 1/4 J			01
R272	HF455100	Carbon Resistor	100.0 1/4 J			01
R273	HF457560	Carbon Resistor	56.0K 1/4 J			01
R274	HF457100	Carbon Resistor	10.0K 1/4 J			01
R275	HF457220	Carbon Resistor	22.0K 1/4 J			01
R276	HF457150	Carbon Resistor	15.0K 1/4 J			01
R293	HF455100	Carbon Resistor	100.0 1/4 J			01
R294	HF455100	Carbon Resistor	100.0 1/4 J			01
R295	HF457470	Carbon Resistor	47.0K 1/4 J			01
R296	HF457100	Carbon Resistor	10.0K 1/4 J			01
RY101	VV315400	Relay	DC OSA-SH-224DM3M			06
RY102	VV315400	Relay	DC OSA-SH-224DM3M			06
*	AAX24850	Circuit Board	PWR2 1/3	J (V698350)(XZ657B0)		
*	AAX24860	Circuit Board	PWR2 1/3	U (V698360)(XZ657B0)		
*	AAX24870	Circuit Board	PWR2 1/3	H,A (V698370)(XZ657B0)		
*	AAX24880	Circuit Board	PWR2 2/3	(V698350)(XZ657B0)		
*	AAX24890	Circuit Board	PWR2 3/3	(V698350)(XZ657B0)		
	--	Jumper Wire	0.60	(VV29140)		01
	VV319600	Fuse Holder	CQ-05CT			01
	V3225000	Ferrite Core	FR25/15/12-D40			03
	--	Connector Assembly	SGND	(V676790)		
△ *	C301	V0039700	Capacitor	J 0.1 275V UCS		
△	C302	V6113500	Capacitor	J 1000P 400V J.U.C.S		
△	C303	V6185400	Capacitor	U 3300P 400V J.U.C.S		
△	C303	VY704000	Capacitor	H 4700P 400V J.U.C.S		01
△	C304	V6185400	Capacitor	U 3300P 400V J.U.C.S		
△	C304	VY704000	Capacitor	H 4700P 400V J.U.C.S		01
	C305	VZ354600	Monolithic Capacitor			01

*: New Parts

RANK: Japan only

REF NO.	PART NO.	DESCRIPTION		REMARKS	QTY	RANK
-308	VZ354600	Monolithic Capacitor	0.10 50V Z			01
C309	V3280500	Ceramic Capacitor-B	100P 500 K			01
C310	VZ353500	Ceramic Capacitor-SL	100P 50V J			01
C311	VZ353500	Ceramic Capacitor-SL	100P 50V J			01
C312	VY897000	Electrolytic Cap.	6800 100V			08
C313	VY897000	Electrolytic Cap.	6800 100V			08
CN301	LB933030	Base Post	3P SE			01
⚠ CN302	V5817000	AC Inlet	HF-301L			
E301	VV075700	Terminal Plate				01
F301	KB001380	Fuse	15.00A U	J		04
F301	KB001540	Fuse	12.00A UL	U		04
F301	KB003360	Fuse	T 6.30A S	H		02
J301	--	Jumper Wire	0.60		(VV29140)	01
J302	--	Jumper Wire	0.60		(VV29140)	01
JK301	VV089300	Phone Connector	H30280072N		SPEAKERS(R/MONO1.2,	02
-305	VV089300	Phone Connector	H30280072N		BRIDGE,L/MONO1.2)	02
R301	VV058500	Flame Proof C. Resistor	10.0 1/4 J			01
R302	VV058500	Flame Proof C. Resistor	10.0 1/4 J			01
R303	HF458150	Carbon Resistor	150.0K 1/4 J			01
R304	HF458150	Carbon Resistor	150.0K 1/4 J			01
⚠ SW301	VY898100	Push Switch	SDDFA3107U-YL UCS		POWER Switch	05
W301	--	Connector Assembly	B&C #18 4P		(V702070)	
W302	--	Connector Assembly	B&C #18 3P		(V702080)	
*	V6983200	Circuit Board	DSP J		(XZ633B0)	
C101	UX064100	Ceramic Capacitor (chip)	0.0100 50V K			
-110	UX064100	Ceramic Capacitor (chip)	0.0100 50V K			
C111	UY065100	Ceramic Capacitor (chip)	0.1000 50V Z			
C112	UR877100	Electrolytic Cap.	10.00 63.0V			01
C113	UY065100	Ceramic Capacitor (chip)	0.1000 50V Z			
C114	UY065100	Ceramic Capacitor (chip)	0.1000 50V Z			
C115	UR877100	Electrolytic Cap.	10.00 63.0V			01
C116	UR857470	Electrolytic Cap.	47.00 35.0V			01
C117	UR857470	Electrolytic Cap.	47.00 35.0V			01
C118	VV190000	Mylar Capacitor	820P 50V J			01
C119	VV190000	Mylar Capacitor	820P 50V J			01
C120	UX062100	Ceramic Capacitor (chip)	100P 50V J			
C121	UX062100	Ceramic Capacitor (chip)	100P 50V J			
C122	UR877100	Electrolytic Cap.	10.00 63.0V			01
-124	UR877100	Electrolytic Cap.	10.00 63.0V			01
C125	UA953820	Mylar Capacitor	8200P 50V J			
C126	UA953820	Mylar Capacitor	8200P 50V J			
C127	UA953270	Mylar Capacitor	2700P 50V J			01
C128	UR877100	Electrolytic Cap.	10.00 63.0V			01
C129	UR877100	Electrolytic Cap.	10.00 63.0V			01
C130	UY065100	Ceramic Capacitor (chip)	0.1000 50V Z			
-132	UY065100	Ceramic Capacitor (chip)	0.1000 50V Z			
C133	UR877100	Electrolytic Cap.	10.00 63.0V			01
-136	UR877100	Electrolytic Cap.	10.00 63.0V			01
C137	UX062470	Ceramic Capacitor (chip)	470P 50V J			
C138	UX062470	Ceramic Capacitor (chip)	470P 50V J			
C139	UR877100	Electrolytic Cap.	10.00 63.0V			01
C140	UY065100	Ceramic Capacitor (chip)	0.1000 50V Z			
C141	UY065100	Ceramic Capacitor (chip)	0.1000 50V Z			
C142	UR877100	Electrolytic Cap.	10.00 63.0V			01
C143	UY065100	Ceramic Capacitor (chip)	0.1000 50V Z			
-146	UY065100	Ceramic Capacitor (chip)	0.1000 50V Z			
C147	UR877100	Electrolytic Cap.	10.00 63.0V			01
C148	UY065100	Ceramic Capacitor (chip)	0.1000 50V Z			
C149	UR838100	Electrolytic Cap.	100.00 16.0V			01
C150	UR847220	Electrolytic Cap.	22.00 25.0V			01
C151	UY065100	Ceramic Capacitor (chip)	0.1000 50V Z			
C152	UY065100	Ceramic Capacitor (chip)	0.1000 50V Z			
C153	UR857470	Electrolytic Cap.	47.00 35.0V			01
C154	UR877100	Electrolytic Cap.	10.00 63.0V			01
CN101	VV067300	Base Post	13P TE			
CN102	VV066300	Base Post	3P TE			01
D101	VT332900	Diode	1SS355 TE-17			01
EM101	GE300670	Ferrite Bead	BL02RN2-R62T4			02
-107	GE300670	Ferrite Bead	BL02RN2-R62T4			02

*: New Parts

RANK: Japan only

REF NO.	PART NO.	DESCRIPTION		REMARKS	QTY	RANK
EM108	VV056900	Noise Filter	ZJSR5101-223TA			01
-111	VV056900	Noise Filter	ZJSR5101-223TA			01
IC101	XZ110A00	IC	74HCU04DT	INVERTER		01
IC102	XZ312A00	IC	UPD78082	MCU		05
IC103	IG103520	IC	NJM4558MT-1	OP AMP		03
* IC104	X0053A00	IC	PCM3001E/2K	ADA		
IC105	XY297A00	IC	ZFX-2	ZFX-2		13
IC106	XW125A00	IC	SDM4260CLTM-6S	4M DRAM		08
IC107	XJ607A00	IC	NJM7805FA	REGULATOR 5V		02
Q101	VV556400	Transistor	2SC2412K Q,R,S			01
Q102	VV655400	Digital Transistor	DTC114EKA TP			01
Q103	VV556400	Transistor	2SC2412K Q,R,S			01
Q104	VV655000	Digital Transistor	DTA114EKA TP			01
Q105	VV655000	Digital Transistor	DTA114EKA TP			01
Q106	VV655400	Digital Transistor	DTC114EKA TP			01
Q107	VV556400	Transistor	2SC2412K Q,R,S			01
Q108	VV556400	Transistor	2SC2412K Q,R,S			01
R101	RG005100	Carbon Resistor (chip)	100 0.1 J			
-105	RG005100	Carbon Resistor (chip)	100 0.1 J			
* R106	RG004100	Carbon Resistor (chip)	10 0.1 J			
* -108	RG004100	Carbon Resistor (chip)	10 0.1 J			
R109	RG005100	Carbon Resistor (chip)	100 0.1 J			
R110	RG005100	Carbon Resistor (chip)	100 0.1 J			
R111	RG007100	Carbon Resistor (chip)	10K 0.1 J			
-113	RG007100	Carbon Resistor (chip)	10K 0.1 J			
R114	RG005100	Carbon Resistor (chip)	100 0.1 J			
-116	RG005100	Carbon Resistor (chip)	100 0.1 J			
R117	RG009100	Carbon Resistor (chip)	1.0M 0.1 J			
R118	RG007100	Carbon Resistor (chip)	10K 0.1 J			
R119	RG006100	Carbon Resistor (chip)	1.0K 0.1 J			
R120	RG005220	Carbon Resistor (chip)	220 0.1 J			
R121	RG005100	Carbon Resistor (chip)	100 0.1 J			
R122	RG007220	Carbon Resistor (chip)	22K 0.1 J			
R123	RG009100	Carbon Resistor (chip)	1.0M 0.1 J			
R124	RG006100	Carbon Resistor (chip)	1.0K 0.1 J			
* R125	RG007270	Carbon Resistor (chip)	27K 0.1 J			
R126	RG007100	Carbon Resistor (chip)	10K 0.1 J			
R127	RG007100	Carbon Resistor (chip)	10K 0.1 J			
R128	RG008100	Carbon Resistor (chip)	100K 0.1 J			
-131	RG008100	Carbon Resistor (chip)	100K 0.1 J			
R132	RG006100	Carbon Resistor (chip)	1.0K 0.1 J			
R133	RG006100	Carbon Resistor (chip)	1.0K 0.1 J			
* R134	RG007680	Carbon Resistor (chip)	68K 0.1 J			
* R135	RG007680	Carbon Resistor (chip)	68K 0.1 J			
R136	RG007220	Carbon Resistor (chip)	22K 0.1 J			
R137	RG007220	Carbon Resistor (chip)	22K 0.1 J			
* R138	RG006910	Carbon Resistor (chip)	9.1K 0.1 J			
* R139	RG006910	Carbon Resistor (chip)	9.1K 0.1 J			
* R140	RG006300	Carbon Resistor (chip)	3.0K 0.1 J			
* R141	RG007300	Carbon Resistor (chip)	30K 0.1 J			
* R142	RG006130	Carbon Resistor (chip)	1.3K 0.1 J			
* R143	RG006130	Carbon Resistor (chip)	1.3K 0.1 J			
R144	RG009100	Carbon Resistor (chip)	1.0M 0.1 J			
R145	VV313600	Flame Proof C. Resistor	2.2 1/4 J			01
R146	RG006100	Carbon Resistor (chip)	1.0K 0.1 J			
R147	VV313600	Flame Proof C. Resistor	2.2 1/4 J			01
R148	VV313600	Flame Proof C. Resistor	2.2 1/4 J			01
RA101	V6338000	Resistor Array	RA1/8 9A 223J			
RA102	V6338100	Resistor Array	RA1/8 7A 223J			
TP101	VV066200	Base Post	2P TE			01
X101	VD827600	Ceramic Resonator	0.1% 4.0MHZ			02
*	V6983100	Circuit Board	MAIN J	(XT783H0)		
	VV307300	LED Spacer				01
	V4467500	Push Switch	CD-GRAY/WHITE	PFL(CH1-12,ST SUB1,2, TAPE IN ST),AFL(MON1,2, EFFECT,ST1,MONO),G.EQ ON, PROGRAM ON,CH9-12(A,B)		01
	VB966900	Style Pin	IMSA-6024			01
C101	UR867470	Electrolytic Cap.	47.00 50.0V			01

*: New Parts

RANK: Japan only

REF NO.	PART NO.	DESCRIPTION		REMARKS	QTY	RANK
C102	VV488800	Electrolytic Cap.-LLM	10.00 50.0V			01
C103	VV488800	Electrolytic Cap.-LLM	10.00 50.0V			01
C104	UR877100	Electrolytic Cap.	10.00 63.0V			01
C105	UR877100	Electrolytic Cap.	10.00 63.0V			01
C106	VZ353800	Ceramic Capacitor-B	470P 50V K			01
C107	VZ353800	Ceramic Capacitor-B	470P 50V K			01
C108	VZ353600	Ceramic Capacitor-B	220P 50V K			01
C109	VZ353600	Ceramic Capacitor-B	220P 50V K			01
C110	UR828470	Electrolytic Cap.	470.00 10.0V			01
C111	VZ352700	Ceramic Capacitor-SL	10P 50V J			01
C112	VZ352700	Ceramic Capacitor-SL	10P 50V J			01
C113	VZ353800	Ceramic Capacitor-B	470P 50V K			01
C114	VZ353000	Ceramic Capacitor-SL	33P 50V J			01
C115	UR877100	Electrolytic Cap.	10.00 63.0V			01
C116	UA954150	Mylar Capacitor	0.0150 50V J			01
C117	VV061400	Mylar Capacitor	0.010 50V J			01
C118	VV061500	Mylar Capacitor	0.012 50V J			01
C119	UA953390	Mylar Capacitor	3900P 50V J			01
C120	VZ353500	Ceramic Capacitor-SL	100P 50V J			01
C121	VZ352900	Ceramic Capacitor-SL	27P 50V J			01
C122	UR857470	Electrolytic Cap.	47.00 35.0V			01
C123	UR877100	Electrolytic Cap.	10.00 63.0V			01
C124	VZ353500	Ceramic Capacitor-SL	100P 50V J			01
C125	VZ353500	Ceramic Capacitor-SL	100P 50V J			01
C126	UR857470	Electrolytic Cap.	47.00 35.0V			01
C127	UR866470	Electrolytic Cap.	4.70 50.0V			01
C128	UA954470	Mylar Capacitor	0.0470 50V J			01
C129	VZ354000	Ceramic Capacitor-F	0.0100 50V Z			01
-132	VZ354000	Ceramic Capacitor-F	0.0100 50V Z			01
C133	VZ353900	Ceramic Capacitor-B	1000P 50V K			01
C134	VZ354000	Ceramic Capacitor-F	0.0100 50V Z			01
C135	VZ354000	Ceramic Capacitor-F	0.0100 50V Z			01
C136	UR877100	Electrolytic Cap.	10.00 63.0V			01
C137	VZ353500	Ceramic Capacitor-SL	100P 50V J			01
-139	VZ353500	Ceramic Capacitor-SL	100P 50V J			01
C140	UR857470	Electrolytic Cap.	47.00 35.0V			01
C141	VZ354000	Ceramic Capacitor-F	0.0100 50V Z			01
C142	VZ354000	Ceramic Capacitor-F	0.0100 50V Z			01
C201	UR867470	Electrolytic Cap.	47.00 50.0V			01
C202	VV488800	Electrolytic Cap.-LLM	10.00 50.0V			01
C203	VV488800	Electrolytic Cap.-LLM	10.00 50.0V			01
C204	UR877100	Electrolytic Cap.	10.00 63.0V			01
C205	UR877100	Electrolytic Cap.	10.00 63.0V			01
C206	VZ353800	Ceramic Capacitor-B	470P 50V K			01
C207	VZ353800	Ceramic Capacitor-B	470P 50V K			01
C208	VZ353600	Ceramic Capacitor-B	220P 50V K			01
C209	VZ353600	Ceramic Capacitor-B	220P 50V K			01
C210	UR828470	Electrolytic Cap.	470.00 10.0V			01
C211	VZ352700	Ceramic Capacitor-SL	10P 50V J			01
C212	VZ352700	Ceramic Capacitor-SL	10P 50V J			01
C213	VZ353800	Ceramic Capacitor-B	470P 50V K			01
C214	VZ353000	Ceramic Capacitor-SL	33P 50V J			01
C215	UR877100	Electrolytic Cap.	10.00 63.0V			01
C216	UA954150	Mylar Capacitor	0.0150 50V J			01
C217	VV061400	Mylar Capacitor	0.010 50V J			01
C218	VV061500	Mylar Capacitor	0.012 50V J			01
C219	UA953390	Mylar Capacitor	3900P 50V J			01
C220	VZ353500	Ceramic Capacitor-SL	100P 50V J			01
C221	VZ352900	Ceramic Capacitor-SL	27P 50V J			01
C222	UR857470	Electrolytic Cap.	47.00 35.0V			01
C223	UR877100	Electrolytic Cap.	10.00 63.0V			01
C224	VZ353500	Ceramic Capacitor-SL	100P 50V J			01
C225	VZ353500	Ceramic Capacitor-SL	100P 50V J			01
C226	UR857470	Electrolytic Cap.	47.00 35.0V			01
C227	UR866470	Electrolytic Cap.	4.70 50.0V			01
C228	UA954470	Mylar Capacitor	0.0470 50V J			01
C229	VZ354000	Ceramic Capacitor-F	0.0100 50V Z			01
C230	VZ354000	Ceramic Capacitor-F	0.0100 50V Z			01
C231	UR877100	Electrolytic Cap.	10.00 63.0V			01
C232	VZ353500	Ceramic Capacitor-SL	100P 50V J			01

*: New Parts

RANK: Japan only

REF NO.	PART NO.	DESCRIPTION		REMARKS	QTY	RANK
-234	VZ353500	Ceramic Capacitor-SL	100P 50V J			01
C235	UR857470	Electrolytic Cap.	47.00 35.0V			01
C301	UR867470	Electrolytic Cap.	47.00 50.0V			01
C302	VV488800	Electrolytic Cap.-LLM	10.00 50.0V			01
C303	VV488800	Electrolytic Cap.-LLM	10.00 50.0V			01
C304	UR877100	Electrolytic Cap.	10.00 63.0V			01
C305	UR877100	Electrolytic Cap.	10.00 63.0V			01
C306	VZ353800	Ceramic Capacitor-B	470P 50V K			01
C307	VZ353800	Ceramic Capacitor-B	470P 50V K			01
C308	VZ353600	Ceramic Capacitor-B	220P 50V K			01
C309	VZ353600	Ceramic Capacitor-B	220P 50V K			01
C310	UR828470	Electrolytic Cap.	470.00 10.0V			01
C311	VZ352700	Ceramic Capacitor-SL	10P 50V J			01
C312	VZ352700	Ceramic Capacitor-SL	10P 50V J			01
C313	VZ353800	Ceramic Capacitor-B	470P 50V K			01
C314	VZ353000	Ceramic Capacitor-SL	33P 50V J			01
C315	UR877100	Electrolytic Cap.	10.00 63.0V			01
C316	UA954150	Mylar Capacitor	0.0150 50V J			01
C317	VV061400	Mylar Capacitor	0.010 50V J			01
C318	VV061500	Mylar Capacitor	0.012 50V J			01
C319	UA953390	Mylar Capacitor	3900P 50V J			01
C320	VZ353500	Ceramic Capacitor-SL	100P 50V J			01
C321	VZ352900	Ceramic Capacitor-SL	27P 50V J			01
C322	UR857470	Electrolytic Cap.	47.00 35.0V			01
C323	UR877100	Electrolytic Cap.	10.00 63.0V			01
C324	VZ353500	Ceramic Capacitor-SL	100P 50V J			01
C325	VZ353500	Ceramic Capacitor-SL	100P 50V J			01
C326	UR857470	Electrolytic Cap.	47.00 35.0V			01
C327	UR866470	Electrolytic Cap.	4.70 50.0V			01
C328	UA954470	Mylar Capacitor	0.0470 50V J			01
C329	VZ354000	Ceramic Capacitor-F	0.0100 50V Z			01
-332	VZ354000	Ceramic Capacitor-F	0.0100 50V Z			01
C333	VZ353900	Ceramic Capacitor-B	1000P 50V K			01
C334	VZ354000	Ceramic Capacitor-F	0.0100 50V Z			01
C335	VZ354000	Ceramic Capacitor-F	0.0100 50V Z			01
C336	UR877100	Electrolytic Cap.	10.00 63.0V			01
C337	VZ353500	Ceramic Capacitor-SL	100P 50V J			01
-339	VZ353500	Ceramic Capacitor-SL	100P 50V J			01
C340	UR857470	Electrolytic Cap.	47.00 35.0V			01
C341	VZ354000	Ceramic Capacitor-F	0.0100 50V Z			01
C342	VZ354000	Ceramic Capacitor-F	0.0100 50V Z			01
C401	UR867470	Electrolytic Cap.	47.00 50.0V			01
C402	VV488800	Electrolytic Cap.-LLM	10.00 50.0V			01
C403	VV488800	Electrolytic Cap.-LLM	10.00 50.0V			01
C404	UR877100	Electrolytic Cap.	10.00 63.0V			01
C405	UR877100	Electrolytic Cap.	10.00 63.0V			01
C406	VZ353800	Ceramic Capacitor-B	470P 50V K			01
C407	VZ353800	Ceramic Capacitor-B	470P 50V K			01
C408	VZ353600	Ceramic Capacitor-B	220P 50V K			01
C409	VZ353600	Ceramic Capacitor-B	220P 50V K			01
C410	UR828470	Electrolytic Cap.	470.00 10.0V			01
C411	VZ352700	Ceramic Capacitor-SL	10P 50V J			01
C412	VZ352700	Ceramic Capacitor-SL	10P 50V J			01
C413	VZ353800	Ceramic Capacitor-B	470P 50V K			01
C414	VZ353000	Ceramic Capacitor-SL	33P 50V J			01
C415	UR877100	Electrolytic Cap.	10.00 63.0V			01
C416	UA954150	Mylar Capacitor	0.0150 50V J			01
C417	VV061400	Mylar Capacitor	0.010 50V J			01
C418	VV061500	Mylar Capacitor	0.012 50V J			01
C419	UA953390	Mylar Capacitor	3900P 50V J			01
C420	VZ353500	Ceramic Capacitor-SL	100P 50V J			01
C421	VZ352900	Ceramic Capacitor-SL	27P 50V J			01
C422	UR857470	Electrolytic Cap.	47.00 35.0V			01
C423	UR877100	Electrolytic Cap.	10.00 63.0V			01
C424	VZ353500	Ceramic Capacitor-SL	100P 50V J			01
C425	VZ353500	Ceramic Capacitor-SL	100P 50V J			01
C426	UR857470	Electrolytic Cap.	47.00 35.0V			01
C427	UR866470	Electrolytic Cap.	4.70 50.0V			01
C428	UA954470	Mylar Capacitor	0.0470 50V J			01
C429	VZ354000	Ceramic Capacitor-F	0.0100 50V Z			01

*: New Parts

RANK: Japan only

REF NO.	PART NO.	DESCRIPTION		REMARKS	QTY	RANK
C430	VZ354000	Ceramic Capacitor-F	0.0100 50V Z			01
C431	UR877100	Electrolytic Cap.	10.00 63.0V			01
C432	VZ353500	Ceramic Capacitor-SL	100P 50V J			01
-434	VZ353500	Ceramic Capacitor-SL	100P 50V J			01
C435	UR857470	Electrolytic Cap.	47.00 35.0V			01
C501	UR867470	Electrolytic Cap.	47.00 50.0V			01
C502	VV488800	Electrolytic Cap.-LLM	10.00 50.0V			01
C503	VV488800	Electrolytic Cap.-LLM	10.00 50.0V			01
C504	UR877100	Electrolytic Cap.	10.00 63.0V			01
C505	UR877100	Electrolytic Cap.	10.00 63.0V			01
C506	VZ353800	Ceramic Capacitor-B	470P 50V K			01
C507	VZ353800	Ceramic Capacitor-B	470P 50V K			01
C508	VZ353600	Ceramic Capacitor-B	220P 50V K			01
C509	VZ353600	Ceramic Capacitor-B	220P 50V K			01
C510	UR828470	Electrolytic Cap.	470.00 10.0V			01
C511	VZ352700	Ceramic Capacitor-SL	10P 50V J			01
C512	VZ352700	Ceramic Capacitor-SL	10P 50V J			01
C513	VZ353800	Ceramic Capacitor-B	470P 50V K			01
C514	VZ353000	Ceramic Capacitor-SL	33P 50V J			01
C515	UR877100	Electrolytic Cap.	10.00 63.0V			01
C516	UA954150	Mylar Capacitor	0.0150 50V J			01
C517	VV061400	Mylar Capacitor	0.010 50V J			01
C518	VV061500	Mylar Capacitor	0.012 50V J			01
C519	UA953390	Mylar Capacitor	3900P 50V J			01
C520	VZ353500	Ceramic Capacitor-SL	100P 50V J			01
C521	VZ352900	Ceramic Capacitor-SL	27P 50V J			01
C522	UR857470	Electrolytic Cap.	47.00 35.0V			01
C523	UR877100	Electrolytic Cap.	10.00 63.0V			01
C524	VZ353500	Ceramic Capacitor-SL	100P 50V J			01
C525	VZ353500	Ceramic Capacitor-SL	100P 50V J			01
C526	UR857470	Electrolytic Cap.	47.00 35.0V			01
C527	UR866470	Electrolytic Cap.	4.70 50.0V			01
C528	UA954470	Mylar Capacitor	0.0470 50V J			01
C529	VZ354000	Ceramic Capacitor-F	0.0100 50V Z			01
-532	VZ354000	Ceramic Capacitor-F	0.0100 50V Z			01
C533	VZ353900	Ceramic Capacitor-B	1000P 50V K			01
C534	VZ354000	Ceramic Capacitor-F	0.0100 50V Z			01
C535	VZ354000	Ceramic Capacitor-F	0.0100 50V Z			01
C537	VZ353500	Ceramic Capacitor-SL	100P 50V J			01
-539	VZ353500	Ceramic Capacitor-SL	100P 50V J			01
C540	UR857470	Electrolytic Cap.	47.00 35.0V			01
C541	VZ354000	Ceramic Capacitor-F	0.0100 50V Z			01
C542	VZ354000	Ceramic Capacitor-F	0.0100 50V Z			01
C601	UR867470	Electrolytic Cap.	47.00 50.0V			01
C602	VV488800	Electrolytic Cap.-LLM	10.00 50.0V			01
C603	VV488800	Electrolytic Cap.-LLM	10.00 50.0V			01
C604	UR877100	Electrolytic Cap.	10.00 63.0V			01
C605	UR877100	Electrolytic Cap.	10.00 63.0V			01
C606	VZ353800	Ceramic Capacitor-B	470P 50V K			01
C607	VZ353800	Ceramic Capacitor-B	470P 50V K			01
C608	VZ353600	Ceramic Capacitor-B	220P 50V K			01
C609	VZ353600	Ceramic Capacitor-B	220P 50V K			01
C610	UR828470	Electrolytic Cap.	470.00 10.0V			01
C611	VZ352700	Ceramic Capacitor-SL	10P 50V J			01
C612	VZ352700	Ceramic Capacitor-SL	10P 50V J			01
C613	VZ353800	Ceramic Capacitor-B	470P 50V K			01
C614	VZ353000	Ceramic Capacitor-SL	33P 50V J			01
C615	UR877100	Electrolytic Cap.	10.00 63.0V			01
C616	UA954150	Mylar Capacitor	0.0150 50V J			01
C617	VV061400	Mylar Capacitor	0.010 50V J			01
C618	VV061500	Mylar Capacitor	0.012 50V J			01
C619	UA953390	Mylar Capacitor	3900P 50V J			01
C620	VZ353500	Ceramic Capacitor-SL	100P 50V J			01
C621	VZ352900	Ceramic Capacitor-SL	27P 50V J			01
C622	UR857470	Electrolytic Cap.	47.00 35.0V			01
C623	UR877100	Electrolytic Cap.	10.00 63.0V			01
C624	VZ353500	Ceramic Capacitor-SL	100P 50V J			01
C625	VZ353500	Ceramic Capacitor-SL	100P 50V J			01
C626	UR857470	Electrolytic Cap.	47.00 35.0V			01
C627	UR866470	Electrolytic Cap.	4.70 50.0V			01

*: New Parts

RANK: Japan only

REF NO.	PART NO.	DESCRIPTION		REMARKS	QTY	RANK
C628	UA954470	Mylar Capacitor	0.0470 50V J			01
C629	VZ354000	Ceramic Capacitor-F	0.0100 50V Z			01
C630	VZ354000	Ceramic Capacitor-F	0.0100 50V Z			01
C632	VZ353500	Ceramic Capacitor-SL	100P 50V J			01
-634	VZ353500	Ceramic Capacitor-SL	100P 50V J			01
C635	UR857470	Electrolytic Cap.	47.00 35.0V			01
C701	UR867470	Electrolytic Cap.	47.00 50.0V			01
C702	VV488800	Electrolytic Cap.-LLM	10.00 50.0V			01
C703	VV488800	Electrolytic Cap.-LLM	10.00 50.0V			01
C704	UR877100	Electrolytic Cap.	10.00 63.0V			01
C705	UR877100	Electrolytic Cap.	10.00 63.0V			01
C706	VZ353800	Ceramic Capacitor-B	470P 50V K			01
C707	VZ353800	Ceramic Capacitor-B	470P 50V K			01
C708	VZ353600	Ceramic Capacitor-B	220P 50V K			01
C709	VZ353600	Ceramic Capacitor-B	220P 50V K			01
C710	UR828470	Electrolytic Cap.	470.00 10.0V			01
C711	VZ352700	Ceramic Capacitor-SL	10P 50V J			01
C712	VZ352700	Ceramic Capacitor-SL	10P 50V J			01
C713	VZ353800	Ceramic Capacitor-B	470P 50V K			01
C714	VZ353000	Ceramic Capacitor-SL	33P 50V J			01
C715	UR877100	Electrolytic Cap.	10.00 63.0V			01
C716	UA954150	Mylar Capacitor	0.0150 50V J			01
C717	VV061400	Mylar Capacitor	0.010 50V J			01
C718	VV061500	Mylar Capacitor	0.012 50V J			01
C719	UA953390	Mylar Capacitor	3900P 50V J			01
C720	VZ353500	Ceramic Capacitor-SL	100P 50V J			01
C721	VZ352900	Ceramic Capacitor-SL	27P 50V J			01
C722	UR857470	Electrolytic Cap.	47.00 35.0V			01
C723	UR877100	Electrolytic Cap.	10.00 63.0V			01
C724	VZ353500	Ceramic Capacitor-SL	100P 50V J			01
C725	VZ353500	Ceramic Capacitor-SL	100P 50V J			01
C726	UR857470	Electrolytic Cap.	47.00 35.0V			01
C727	UR866470	Electrolytic Cap.	4.70 50.0V			01
C728	UA954470	Mylar Capacitor	0.0470 50V J			01
C729	VZ354000	Ceramic Capacitor-F	0.0100 50V Z			01
-732	VZ354000	Ceramic Capacitor-F	0.0100 50V Z			01
C733	VZ353900	Ceramic Capacitor-B	1000P 50V K			01
C734	VZ354000	Ceramic Capacitor-F	0.0100 50V Z			01
C735	VZ354000	Ceramic Capacitor-F	0.0100 50V Z			01
C737	VZ353500	Ceramic Capacitor-SL	100P 50V J			01
-739	VZ353500	Ceramic Capacitor-SL	100P 50V J			01
C740	UR857470	Electrolytic Cap.	47.00 35.0V			01
C741	VZ354000	Ceramic Capacitor-F	0.0100 50V Z			01
C742	VZ354000	Ceramic Capacitor-F	0.0100 50V Z			01
C801	UR867470	Electrolytic Cap.	47.00 50.0V			01
C802	VV488800	Electrolytic Cap.-LLM	10.00 50.0V			01
C803	VV488800	Electrolytic Cap.-LLM	10.00 50.0V			01
C804	UR877100	Electrolytic Cap.	10.00 63.0V			01
C805	UR877100	Electrolytic Cap.	10.00 63.0V			01
C806	VZ353800	Ceramic Capacitor-B	470P 50V K			01
C807	VZ353800	Ceramic Capacitor-B	470P 50V K			01
C808	VZ353600	Ceramic Capacitor-B	220P 50V K			01
C809	VZ353600	Ceramic Capacitor-B	220P 50V K			01
C810	UR828470	Electrolytic Cap.	470.00 10.0V			01
C811	VZ352700	Ceramic Capacitor-SL	10P 50V J			01
C812	VZ352700	Ceramic Capacitor-SL	10P 50V J			01
C813	VZ353800	Ceramic Capacitor-B	470P 50V K			01
C814	VZ353000	Ceramic Capacitor-SL	33P 50V J			01
C815	UR877100	Electrolytic Cap.	10.00 63.0V			01
C816	UA954150	Mylar Capacitor	0.0150 50V J			01
C817	VV061400	Mylar Capacitor	0.010 50V J			01
C818	VV061500	Mylar Capacitor	0.012 50V J			01
C819	UA953390	Mylar Capacitor	3900P 50V J			01
C820	VZ353500	Ceramic Capacitor-SL	100P 50V J			01
C821	VZ352900	Ceramic Capacitor-SL	27P 50V J			01
C822	UR857470	Electrolytic Cap.	47.00 35.0V			01
C823	UR877100	Electrolytic Cap.	10.00 63.0V			01
C824	VZ353500	Ceramic Capacitor-SL	100P 50V J			01
C825	VZ353500	Ceramic Capacitor-SL	100P 50V J			01
C826	UR857470	Electrolytic Cap.	47.00 35.0V			01

*: New Parts

RANK: Japan only

REF NO.	PART NO.	DESCRIPTION		REMARKS	QTY	RANK
C827	UR866470	Electrolytic Cap.	4.70 50.0V			01
C828	UA954470	Mylar Capacitor	0.0470 50V J			01
C829	VZ354000	Ceramic Capacitor-F	0.0100 50V Z			01
C830	VZ354000	Ceramic Capacitor-F	0.0100 50V Z			01
C832	VZ353500	Ceramic Capacitor-SL	100P 50V J			01
-834	VZ353500	Ceramic Capacitor-SL	100P 50V J			01
C835	UR857470	Electrolytic Cap.	47.00 35.0V			01
C901	UR877100	Electrolytic Cap.	10.00 63.0V			01
C902	VZ353700	Ceramic Capacitor-B	330P 50V K			01
C903	VZ353500	Ceramic Capacitor-SL	100P 50V J			01
C904	UR828470	Electrolytic Cap.	470.00 10.0V			01
C905	VZ353700	Ceramic Capacitor-B	330P 50V K			01
C906	VZ353200	Ceramic Capacitor-SL	47P 50V J			01
C907	UR877100	Electrolytic Cap.	10.00 63.0V			01
C908	UA954150	Mylar Capacitor	0.0150 50V J			01
C909	VV061400	Mylar Capacitor	0.010 50V J			01
C910	VV061500	Mylar Capacitor	0.012 50V J			01
C911	UA953390	Mylar Capacitor	3900P 50V J			01
C912	VZ353500	Ceramic Capacitor-SL	100P 50V J			01
C913	VZ352900	Ceramic Capacitor-SL	27P 50V J			01
C914	UR857470	Electrolytic Cap.	47.00 35.0V			01
C915	UR877100	Electrolytic Cap.	10.00 63.0V			01
C916	VZ353500	Ceramic Capacitor-SL	100P 50V J			01
C917	VZ353500	Ceramic Capacitor-SL	100P 50V J			01
C918	UR857470	Electrolytic Cap.	47.00 35.0V			01
C920	UA954470	Mylar Capacitor	0.0470 50V J			01
C921	VZ354000	Ceramic Capacitor-F	0.0100 50V Z			01
-926	VZ354000	Ceramic Capacitor-F	0.0100 50V Z			01
C927	VZ353900	Ceramic Capacitor-B	1000P 50V K			01
C928	VZ354000	Ceramic Capacitor-F	0.0100 50V Z			01
C929	VZ354000	Ceramic Capacitor-F	0.0100 50V Z			01
CA01	UR877100	Electrolytic Cap.	10.00 63.0V			01
CA02	VZ353700	Ceramic Capacitor-B	330P 50V K			01
CA03	VZ353500	Ceramic Capacitor-SL	100P 50V J			01
CA04	UR828470	Electrolytic Cap.	470.00 10.0V			01
CA05	VZ353700	Ceramic Capacitor-B	330P 50V K			01
CA06	VZ353200	Ceramic Capacitor-SL	47P 50V J			01
CA07	UR877100	Electrolytic Cap.	10.00 63.0V			01
CA08	UA954150	Mylar Capacitor	0.0150 50V J			01
CA09	VV061400	Mylar Capacitor	0.010 50V J			01
CA10	VV061500	Mylar Capacitor	0.012 50V J			01
CA11	UA953390	Mylar Capacitor	3900P 50V J			01
CA12	VZ353500	Ceramic Capacitor-SL	100P 50V J			01
CA13	VZ352900	Ceramic Capacitor-SL	27P 50V J			01
CA14	UR857470	Electrolytic Cap.	47.00 35.0V			01
CA15	UR877100	Electrolytic Cap.	10.00 63.0V			01
CA16	VZ353500	Ceramic Capacitor-SL	100P 50V J			01
CA17	VZ353500	Ceramic Capacitor-SL	100P 50V J			01
CA18	UR857470	Electrolytic Cap.	47.00 35.0V			01
CB01	UR877100	Electrolytic Cap.	10.00 63.0V			01
CB02	VZ353700	Ceramic Capacitor-B	330P 50V K			01
CB03	VZ353500	Ceramic Capacitor-SL	100P 50V J			01
CB04	UR828470	Electrolytic Cap.	470.00 10.0V			01
CB05	VZ353700	Ceramic Capacitor-B	330P 50V K			01
CB06	VZ353200	Ceramic Capacitor-SL	47P 50V J			01
CB07	UR877100	Electrolytic Cap.	10.00 63.0V			01
CB08	UA954150	Mylar Capacitor	0.0150 50V J			01
CB09	VV061400	Mylar Capacitor	0.010 50V J			01
CB10	VV061500	Mylar Capacitor	0.012 50V J			01
CB11	UA953390	Mylar Capacitor	3900P 50V J			01
CB12	VZ353500	Ceramic Capacitor-SL	100P 50V J			01
CB13	VZ352900	Ceramic Capacitor-SL	27P 50V J			01
CB14	UR857470	Electrolytic Cap.	47.00 35.0V			01
CB15	UR877100	Electrolytic Cap.	10.00 63.0V			01
CB16	VZ353500	Ceramic Capacitor-SL	100P 50V J			01
CB17	VZ353500	Ceramic Capacitor-SL	100P 50V J			01
CB18	UR857470	Electrolytic Cap.	47.00 35.0V			01
CB20	UA954470	Mylar Capacitor	0.0470 50V J			01
CB21	VZ354000	Ceramic Capacitor-F	0.0100 50V Z			01
-26	VZ354000	Ceramic Capacitor-F	0.0100 50V Z			01

*: New Parts

RANK: Japan only

REF NO.	PART NO.	DESCRIPTION	REMARKS	QTY	RANK
CB27	VZ353900	Ceramic Capacitor-B	1000P 50V K		01
CB28	VZ354000	Ceramic Capacitor-F	0.0100 50V Z		01
CB29	VZ354000	Ceramic Capacitor-F	0.0100 50V Z		01
CC01	UR877100	Electrolytic Cap.	10.00 63.0V		01
CC02	VZ353700	Ceramic Capacitor-B	330P 50V K		01
CC03	VZ353500	Ceramic Capacitor-SL	100P 50V J		01
CC04	UR828470	Electrolytic Cap.	470.00 10.0V		01
CC05	VZ353700	Ceramic Capacitor-B	330P 50V K		01
CC06	VZ353200	Ceramic Capacitor-SL	47P 50V J		01
CC07	UR877100	Electrolytic Cap.	10.00 63.0V		01
CC08	UA954150	Mylar Capacitor	0.0150 50V J		01
CC09	VV061400	Mylar Capacitor	0.010 50V J		01
CC10	VV061500	Mylar Capacitor	0.012 50V J		01
CC11	UA953390	Mylar Capacitor	3900P 50V J		01
CC12	VZ353500	Ceramic Capacitor-SL	100P 50V J		01
CC13	VZ352900	Ceramic Capacitor-SL	27P 50V J		01
CC14	UR857470	Electrolytic Cap.	47.00 35.0V		01
CC15	UR877100	Electrolytic Cap.	10.00 63.0V		01
CC16	VZ353500	Ceramic Capacitor-SL	100P 50V J		01
CC17	VZ353500	Ceramic Capacitor-SL	100P 50V J		01
CC18	UR857470	Electrolytic Cap.	47.00 35.0V		01
CD01	UR877100	Electrolytic Cap.	10.00 63.0V		01
-04	UR877100	Electrolytic Cap.	10.00 63.0V		01
CD05	VZ353500	Ceramic Capacitor-SL	100P 50V J		01
-12	VZ353500	Ceramic Capacitor-SL	100P 50V J		01
CD13	UR857470	Electrolytic Cap.	47.00 35.0V		01
-16	UR857470	Electrolytic Cap.	47.00 35.0V		01
CD17	VZ354000	Ceramic Capacitor-F	0.0100 50V Z		01
-20	VZ354000	Ceramic Capacitor-F	0.0100 50V Z		01
CD23	UR877100	Electrolytic Cap.	10.00 63.0V		01
CD24	UR877100	Electrolytic Cap.	10.00 63.0V		01
CD25	VZ353500	Ceramic Capacitor-SL	100P 50V J		01
-28	VZ353500	Ceramic Capacitor-SL	100P 50V J		01
CD29	VZ353400	Ceramic Capacitor-SL	68P 50V J		01
CD30	VZ353400	Ceramic Capacitor-SL	68P 50V J		01
CD31	UR877100	Electrolytic Cap.	10.00 63.0V		01
CD32	UR877100	Electrolytic Cap.	10.00 63.0V		01
CD33	VZ354000	Ceramic Capacitor-F	0.0100 50V Z		01
CD34	VZ354000	Ceramic Capacitor-F	0.0100 50V Z		01
CE01	VZ353600	Ceramic Capacitor-B	220P 50V K		01
CE02	VZ353200	Ceramic Capacitor-SL	47P 50V J		01
CE03	VZ353500	Ceramic Capacitor-SL	100P 50V J		01
CE04	VZ353400	Ceramic Capacitor-SL	68P 50V J		01
CE05	UR857470	Electrolytic Cap.	47.00 35.0V		01
CE06	UA655820	Mylar Capacitor	0.8200 50V J		01
CE07	UA954820	Mylar Capacitor	0.0820 50V J		01
CE08	UA655470	Mylar Capacitor	0.4700 50V J		01
CE09	UA954390	Mylar Capacitor	0.0390 50V J		01
CE10	UA655220	Mylar Capacitor	0.2200 50V J		01
CE11	UA954180	Mylar Capacitor	0.0180 50V J		01
CE12	V5868900	Mylar Capacitor	0.1 50V J		01
CE13	VV061400	Mylar Capacitor	0.010 50V J		01
CE14	UA954470	Mylar Capacitor	0.0470 50V J		01
CE15	UA953470	Mylar Capacitor	4700P 50V J		01
CE16	UA954270	Mylar Capacitor	0.0270 50V J		01
CE17	UA953220	Mylar Capacitor	2200P 50V J		01
CE18	VV061500	Mylar Capacitor	0.012 50V J		01
CE19	UA953120	Mylar Capacitor	1200P 50V J		01
CE20	VZ353600	Ceramic Capacitor-B	220P 50V K		01
CE21	UR857470	Electrolytic Cap.	47.00 35.0V		01
CE22	UR877100	Electrolytic Cap.	10.00 63.0V		01
CE23	VZ353500	Ceramic Capacitor-SL	100P 50V J		01
CE24	VZ353500	Ceramic Capacitor-SL	100P 50V J		01
CE25	VZ353400	Ceramic Capacitor-SL	68P 50V J		01
CE26	UR838100	Electrolytic Cap.	100.00 16.0V		01
CE27	UR877100	Electrolytic Cap.	10.00 63.0V		01
CE28	VZ353500	Ceramic Capacitor-SL	100P 50V J		01
CE29	VZ353500	Ceramic Capacitor-SL	100P 50V J		01
CE30	VZ353400	Ceramic Capacitor-SL	68P 50V J		01
CE31	UR838100	Electrolytic Cap.	100.00 16.0V		01

*: New Parts

RANK: Japan only

REF NO.	PART NO.	DESCRIPTION		REMARKS	QTY	RANK
CE32	VZ354000	Ceramic Capacitor-F	0.0100 50V Z			01
-35	VZ354000	Ceramic Capacitor-F	0.0100 50V Z			01
CE36	VZ353900	Ceramic Capacitor-B	1000P 50V K			01
CE37	UR838100	Electrolytic Cap.	100.00 16.0V			01
-40	UR838100	Electrolytic Cap.	100.00 16.0V			01
CE41	UR877100	Electrolytic Cap.	10.00 63.0V			01
CF01	VZ353600	Ceramic Capacitor-B	220P 50V K			01
CF02	VZ353200	Ceramic Capacitor-SL	47P 50V J			01
CF03	VZ353500	Ceramic Capacitor-SL	100P 50V J			01
CF04	VZ353400	Ceramic Capacitor-SL	68P 50V J			01
CF05	UR857470	Electrolytic Cap.	47.00 35.0V			01
CF06	UA655820	Mylar Capacitor	0.8200 50V J			01
CF07	UA954820	Mylar Capacitor	0.0820 50V J			01
CF08	UA655470	Mylar Capacitor	0.4700 50V J			01
CF09	UA954390	Mylar Capacitor	0.0390 50V J			01
CF10	UA655220	Mylar Capacitor	0.2200 50V J			01
CF11	UA954180	Mylar Capacitor	0.0180 50V J			01
CF12	V5868900	Mylar Capacitor	0.1 50V J			01
CF13	VV061400	Mylar Capacitor	0.010 50V J			01
CF14	UA954470	Mylar Capacitor	0.0470 50V J			01
CF15	UA953470	Mylar Capacitor	4700P 50V J			01
CF16	UA954270	Mylar Capacitor	0.0270 50V J			01
CF17	UA953220	Mylar Capacitor	2200P 50V J			01
CF18	VV061500	Mylar Capacitor	0.012 50V J			01
CF19	UA953120	Mylar Capacitor	1200P 50V J			01
CF20	VZ353600	Ceramic Capacitor-B	220P 50V K			01
CF21	UR857470	Electrolytic Cap.	47.00 35.0V			01
CF22	UR877100	Electrolytic Cap.	10.00 63.0V			01
CF23	VZ353500	Ceramic Capacitor-SL	100P 50V J			01
CF24	VZ353500	Ceramic Capacitor-SL	100P 50V J			01
CF25	VZ353400	Ceramic Capacitor-SL	68P 50V J			01
CF26	UR838100	Electrolytic Cap.	100.00 16.0V			01
CF27	UR877100	Electrolytic Cap.	10.00 63.0V			01
CF28	VZ353500	Ceramic Capacitor-SL	100P 50V J			01
CF29	VZ353500	Ceramic Capacitor-SL	100P 50V J			01
CF30	VZ353400	Ceramic Capacitor-SL	68P 50V J			01
CF31	UR838100	Electrolytic Cap.	100.00 16.0V			01
CF32	VZ354000	Ceramic Capacitor-F	0.0100 50V Z			01
-35	VZ354000	Ceramic Capacitor-F	0.0100 50V Z			01
CF36	VZ353900	Ceramic Capacitor-B	1000P 50V K			01
CF37	UR877100	Electrolytic Cap.	10.00 63.0V			01
CG01	UR877100	Electrolytic Cap.	10.00 63.0V			01
CG02	VZ353500	Ceramic Capacitor-SL	100P 50V J			01
CG03	VZ353200	Ceramic Capacitor-SL	47P 50V J			01
CG04	UR877100	Electrolytic Cap.	10.00 63.0V			01
CG05	UR877100	Electrolytic Cap.	10.00 63.0V			01
CG06	VZ353500	Ceramic Capacitor-SL	100P 50V J			01
CG07	VZ352800	Ceramic Capacitor-SL	22P 50V J			01
CG08	UR838100	Electrolytic Cap.	100.00 16.0V			01
CG09	VZ354000	Ceramic Capacitor-F	0.0100 50V Z			01
CG10	VZ354000	Ceramic Capacitor-F	0.0100 50V Z			01
CG11	UR877100	Electrolytic Cap.	10.00 63.0V			01
CG12	VZ353500	Ceramic Capacitor-SL	100P 50V J			01
CG13	VZ353400	Ceramic Capacitor-SL	68P 50V J			01
CG14	UR877100	Electrolytic Cap.	10.00 63.0V			01
CG15	UR857470	Electrolytic Cap.	47.00 35.0V			01
CG16	UR857470	Electrolytic Cap.	47.00 35.0V			01
CH01	VZ353600	Ceramic Capacitor-B	220P 50V K			01
CH02	VZ353200	Ceramic Capacitor-SL	47P 50V J			01
CH03	UR877100	Electrolytic Cap.	10.00 63.0V			01
CH04	UR877100	Electrolytic Cap.	10.00 63.0V			01
CH05	VZ353500	Ceramic Capacitor-SL	100P 50V J			01
CH06	VZ352800	Ceramic Capacitor-SL	22P 50V J			01
CH07	UR838100	Electrolytic Cap.	100.00 16.0V			01
CH08	VZ353900	Ceramic Capacitor-B	1000P 50V K			01
CH09	VZ354000	Ceramic Capacitor-F	0.0100 50V Z			01
-12	VZ354000	Ceramic Capacitor-F	0.0100 50V Z			01
CI01	VZ353600	Ceramic Capacitor-B	220P 50V K			01
CI02	VZ353200	Ceramic Capacitor-SL	47P 50V J			01
CI03	UR877100	Electrolytic Cap.	10.00 63.0V			01

*: New Parts

RANK: Japan only

REF NO.	PART NO.	DESCRIPTION		REMARKS	QTY	RANK
CI04	UR877100	Electrolytic Cap.	10.00 63.0V			01
CI05	VZ353500	Ceramic Capacitor-SL	100P 50V J			01
CI06	VZ352800	Ceramic Capacitor-SL	22P 50V J			01
CI07	UR838100	Electrolytic Cap.	100.00 16.0V			01
CJ01	VZ353600	Ceramic Capacitor-B	220P 50V K			01
CJ02	VZ352800	Ceramic Capacitor-SL	22P 50V J			01
CJ03	UR877100	Electrolytic Cap.	10.00 63.0V			01
CJ04	UR877100	Electrolytic Cap.	10.00 63.0V			01
CJ05	VZ353500	Ceramic Capacitor-SL	100P 50V J			01
CJ06	VZ352800	Ceramic Capacitor-SL	22P 50V J			01
CJ07	UR838100	Electrolytic Cap.	100.00 16.0V			01
CJ08	VZ354000	Ceramic Capacitor-F	0.0100 50V Z			01
CJ09	VZ354000	Ceramic Capacitor-F	0.0100 50V Z			01
CJ10	VZ353900	Ceramic Capacitor-B	1000P 50V K			01
CJ11	VZ354000	Ceramic Capacitor-F	0.0100 50V Z			01
CJ12	VZ354000	Ceramic Capacitor-F	0.0100 50V Z			01
CK01	VZ353600	Ceramic Capacitor-B	220P 50V K			01
CK02	VZ352800	Ceramic Capacitor-SL	22P 50V J			01
CK03	UR877100	Electrolytic Cap.	10.00 63.0V			01
CK04	UR877100	Electrolytic Cap.	10.00 63.0V			01
CK06	VZ352700	Ceramic Capacitor-SL	10P 50V J			01
CK07	UR838100	Electrolytic Cap.	100.00 16.0V			01
CK08	VZ353900	Ceramic Capacitor-B	1000P 50V K			01
CK09	VZ353900	Ceramic Capacitor-B	1000P 50V K			01
CK10	VZ354000	Ceramic Capacitor-F	0.0100 50V Z			01
CK11	VZ354000	Ceramic Capacitor-F	0.0100 50V Z			01
CK12	UR838100	Electrolytic Cap.	100.00 16.0V			01
CK13	UR838100	Electrolytic Cap.	100.00 16.0V			01
CL01	VZ353600	Ceramic Capacitor-B	220P 50V K			01
CL02	VZ352800	Ceramic Capacitor-SL	22P 50V J			01
CL03	UR877100	Electrolytic Cap.	10.00 63.0V			01
CL04	UR877100	Electrolytic Cap.	10.00 63.0V			01
CL06	VZ352700	Ceramic Capacitor-SL	10P 50V J			01
CL07	UR838100	Electrolytic Cap.	100.00 16.0V			01
CL08	VZ353900	Ceramic Capacitor-B	1000P 50V K			01
CM01	UR866470	Electrolytic Cap.	4.70 50.0V			01
CM02	UR866470	Electrolytic Cap.	4.70 50.0V			01
CM03	UA954470	Mylar Capacitor	0.0470 50V J			01
CM04	UA954470	Mylar Capacitor	0.0470 50V J			01
CM05	UR877100	Electrolytic Cap.	10.00 63.0V			01
CM06	UR877100	Electrolytic Cap.	10.00 63.0V			01
CM07	UR866470	Electrolytic Cap.	4.70 50.0V			01
CM08	UR866470	Electrolytic Cap.	4.70 50.0V			01
CM09	UR877100	Electrolytic Cap.	10.00 63.0V			01
-12	UR877100	Electrolytic Cap.	10.00 63.0V			01
CNM01	VV067200	Base Post	12P TE			01
CNM04	VV067300	Base Post	13P TE			01
D901	VD631600	Diode	1SS133,176,HSS104			01
DA01	VD631600	Diode	1SS133,176,HSS104			01
DB01	VD631600	Diode	1SS133,176,HSS104			01
DC01	VD631600	Diode	1SS133,176,HSS104			01
EMK01	VV056900	Noise Filter	ZJSR5101-223TA			01
EML01	VV056900	Noise Filter	ZJSR5101-223TA			01
EMM01	VV056900	Noise Filter	ZJSR5101-223TA			01
ENM01	VZ303900	Rotary Encoder	SDB161PVB			06
IC101	XM356A00	IC	NJM2068L-D	OP AMP		02
-104	XM356A00	IC	NJM2068L-D	OP AMP		02
IC201	XM356A00	IC	NJM2068L-D	OP AMP		02
IC301	XM356A00	IC	NJM2068L-D	OP AMP		02
-304	XM356A00	IC	NJM2068L-D	OP AMP		02
IC401	XM356A00	IC	NJM2068L-D	OP AMP		02
IC501	XM356A00	IC	NJM2068L-D	OP AMP		02
-504	XM356A00	IC	NJM2068L-D	OP AMP		02
IC601	XM356A00	IC	NJM2068L-D	OP AMP		02
IC701	XM356A00	IC	NJM2068L-D	OP AMP		02
-704	XM356A00	IC	NJM2068L-D	OP AMP		02
IC801	XM356A00	IC	NJM2068L-D	OP AMP		02
IC901	XM356A00	IC	NJM2068L-D	OP AMP		02
-904	XM356A00	IC	NJM2068L-D	OP AMP		02
ICB01	XM356A00	IC	NJM2068L-D	OP AMP		02

*: New Parts

RANK: Japan only

REF NO.	PART NO.	DESCRIPTION		REMARKS	QTY	RANK
-04	XM356A00	IC	NJM2068L-D	OP AMP		02
ICD01	XM356A00	IC	NJM2068L-D	OP AMP		02
-03	XM356A00	IC	NJM2068L-D	OP AMP		02
ICE01	XM356A00	IC	NJM2068L-D	OP AMP		02
ICE02	XG203A00	IC	M5229P	7-SEG. GRAPHIC		04
ICE03	XF195A00	IC	NJM4580L	OP AMP		04
ICE04	XF195A00	IC	NJM4580L	OP AMP		04
ICF01	XM356A00	IC	NJM2068L-D	OP AMP		02
ICF02	XG203A00	IC	M5229P	7-SEG. GRAPHIC		04
ICG01	XF195A00	IC	NJM4580L	OP AMP		04
ICH01	XM356A00	IC	NJM2068L-D	OP AMP		02
ICH02	XF195A00	IC	NJM4580L	OP AMP		04
ICJ01	XM356A00	IC	NJM2068L-D	OP AMP		02
ICJ02	XF195A00	IC	NJM4580L	OP AMP		04
ICK01	XM356A00	IC	NJM2068L-D	OP AMP		02
ICK02	XP844A00	IC	NJM4556AL	OP AMP		02
ICM01	XS046A00	IC	BA682A	LED LEVEL METER		06
ICM02	XS046A00	IC	BA682A	LED LEVEL METER		06
ICM03	XJ608A00	IC	NJM7812FA	REGULATOR 12V		02
JK101	VU805200	Cannon Connector	XLR NC3FAV1-0	INPUT/MIC(CH1)		04
JK102	V2954500	Phone Connector	LJ-0695-4R-A	INPUT/LINE(CH1)		02
JK103	V2954500	Phone Connector	LJ-0695-4R-A	INPUT/INSERT I/O(CH1)		02
JK201	VU805200	Cannon Connector	XLR NC3FAV1-0	INPUT/MIC(CH2)		04
JK202	V2954500	Phone Connector	LJ-0695-4R-A	INPUT/LINE(CH2)		02
JK203	V2954500	Phone Connector	LJ-0695-4R-A	INPUT/INSERT I/O(CH2)		02
JK301	VU805200	Cannon Connector	XLR NC3FAV1-0	INPUT/MIC(CH3)		04
JK302	V2954500	Phone Connector	LJ-0695-4R-A	INPUT/LINE(CH3)		02
JK303	V2954500	Phone Connector	LJ-0695-4R-A	INPUT/INSERT I/O(CH3)		02
JK401	VU805200	Cannon Connector	XLR NC3FAV1-0	INPUT/MIC(CH4)		04
JK402	V2954500	Phone Connector	LJ-0695-4R-A	INPUT/LINE(CH4)		02
JK403	V2954500	Phone Connector	LJ-0695-4R-A	INPUT/INSERT I/O(CH4)		02
JK501	VU805200	Cannon Connector	XLR NC3FAV1-0	INPUT/MIC(CH5)		04
JK502	V2954500	Phone Connector	LJ-0695-4R-A	INPUT/LINE(CH5)		02
JK601	VU805200	Cannon Connector	XLR NC3FAV1-0	INPUT/MIC(CH6)		04
JK602	V2954500	Phone Connector	LJ-0695-4R-A	INPUT/LINE(CH6)		02
JK701	VU805200	Cannon Connector	XLR NC3FAV1-0	INPUT/MIC(CH7)		04
JK702	V2954500	Phone Connector	LJ-0695-4R-A	INPUT/LINE(CH7)		02
JK801	VU805200	Cannon Connector	XLR NC3FAV1-0	INPUT/MIC(CH8)		04
JK802	V2954500	Phone Connector	LJ-0695-4R-A	INPUT/LINE(CH8)		02
JK901	V2954500	Phone Connector	LJ-0695-4R-A	INPUT/9L(MONO)		02
JK902	V4807700	Pin Connector	RJ-1130A-09-0320A	INPUT/9L,10R,11L,12R		03
JKA01	V2954500	Phone Connector	LJ-0695-4R-A	INPUT/10R		02
JKB01	V2954500	Phone Connector	LJ-0695-4R-A	INPUT/11L(MONO)		02
JKC01	V2954500	Phone Connector	LJ-0695-4R-A	INPUT/12R		02
JKD01	V2954500	Phone Connector	LJ-0695-4R-A	INPUT/ST SUB1(L(MONO),R),		02
-04	V2954500	Phone Connector	LJ-0695-4R-A	ST SUB2(L(MONO),R)		02
JKD05	V4807700	Pin Connector	RJ-1130A-09-0320A	INPUT/TAPE(L,R), OUTPUT/REC(L,R)		03
JKE01	V2954500	Phone Connector	LJ-0695-4R-A	OUTPUT/L(ST1)		02
JKE02	V2954500	Phone Connector	LJ-0695-4R-A	OUTPUT/L(ST2)		02
JKF01	V2954500	Phone Connector	LJ-0695-4R-A	OUTPUT/R(ST1)		02
JKF02	V2954500	Phone Connector	LJ-0695-4R-A	OUTPUT/R(ST2)		02
JKG01	V2954500	Phone Connector	LJ-0695-4R-A	INPUT/BRIDGE L,P,AMP IN R		02
-03	V2954500	Phone Connector	LJ-0695-4R-A	OUTPUT/MONO		02
JKH01	V2954500	Phone Connector	LJ-0695-4R-A	OUTPUT/MONI 1		02
JKI01	V2954500	Phone Connector	LJ-0695-4R-A	OUTPUT/MONI 2		02
JKJ01	V2954500	Phone Connector	LJ-0695-4R-A	EFFECT		02
JKK01	V2954500	Phone Connector	LJ-0695-4R-A	C-R/PHONES		02
JKM01	V2954500	Phone Connector	LJ-0695-4R-A	FOOT SW		02
LD101	VV620800	LED	Red	LT311G-41-C13	PEAK(CH1)	01
LD201	VV620800	LED	Red	LT311G-41-C13	PEAK(CH2)	01
LD301	VV620800	LED	Red	LT311G-41-C13	PEAK(CH3)	01
LD401	VV620800	LED	Red	LT311G-41-C13	PEAK(CH4)	01
LD501	VV620800	LED	Red	LT311G-41-C13	PEAK(CH5)	01
LD601	VV620800	LED	Red	LT311G-41-C13	PEAK(CH6)	01
LD701	VV620800	LED	Red	LT311G-41-C13	PEAK(CH7)	01
LD801	VV620800	LED	Red	LT311G-41-C13	PEAK(CH8)	01
LD901	VV620800	LED	Red	LT311G-41-C13	PEAK(CH9/10)	01
LDB01	VV620800	LED	Red	LT311G-41-C13	PEAK(CH11/12)	01
LDM01	VV620800	LED	Red	LT311G-41-C13	ST1 L,R(PEAK),LIMITER/L/	01

*: New Parts

RANK: Japan only

REF NO.	PART NO.	DESCRIPTION		REMARKS	QTY	RANK
-04	VV620800	LED	Red	LT311G-41-C13		01
LDM05	VV621000	LED	Green	LT321-41-C13	BRIDGE,R)	01
-19	VV621000	LED	Green	LT321-41-C13	ST1 L,R(-1,-3,-5,-7,-10,	01
LDM20	VV938100	LED	Yellow	LT331-41-C13	-15,-20),POWER	01
-30	VV938100	LED	Yellow	LT331-41-C13	ST1 L,R(+8,+5,+3,+1,0)	01
					PHANTOM	01
Q101	IC224030	Transistor		2SC2240 GR,BL		01
Q102	IC224030	Transistor		2SC2240 GR,BL		01
Q103	IC1815M0	Transistor		2SC1815 Y,GR		01
Q104	IA101590	Transistor		2SA1015 O,Y		01
Q201	IC224030	Transistor		2SC2240 GR,BL		01
Q202	IC224030	Transistor		2SC2240 GR,BL		01
Q203	IC1815M0	Transistor		2SC1815 Y,GR		01
Q204	IA101590	Transistor		2SA1015 O,Y		01
Q301	IC224030	Transistor		2SC2240 GR,BL		01
Q302	IC224030	Transistor		2SC2240 GR,BL		01
Q303	IC1815M0	Transistor		2SC1815 Y,GR		01
Q304	IA101590	Transistor		2SA1015 O,Y		01
Q401	IC224030	Transistor		2SC2240 GR,BL		01
Q402	IC224030	Transistor		2SC2240 GR,BL		01
Q403	IC1815M0	Transistor		2SC1815 Y,GR		01
Q404	IA101590	Transistor		2SA1015 O,Y		01
Q501	IC224030	Transistor		2SC2240 GR,BL		01
Q502	IC224030	Transistor		2SC2240 GR,BL		01
Q503	IC1815M0	Transistor		2SC1815 Y,GR		01
Q504	IA101590	Transistor		2SA1015 O,Y		01
Q601	IC224030	Transistor		2SC2240 GR,BL		01
Q602	IC224030	Transistor		2SC2240 GR,BL		01
Q603	IC1815M0	Transistor		2SC1815 Y,GR		01
Q604	IA101590	Transistor		2SA1015 O,Y		01
Q701	IC224030	Transistor		2SC2240 GR,BL		01
Q702	IC224030	Transistor		2SC2240 GR,BL		01
Q703	IC1815M0	Transistor		2SC1815 Y,GR		01
Q704	IA101590	Transistor		2SA1015 O,Y		01
Q801	IC224030	Transistor		2SC2240 GR,BL		01
Q802	IC224030	Transistor		2SC2240 GR,BL		01
Q803	IC1815M0	Transistor		2SC1815 Y,GR		01
Q804	IA101590	Transistor		2SA1015 O,Y		01
Q901	IC1815M0	Transistor		2SC1815 Y,GR		01
Q902	IA101590	Transistor		2SA1015 O,Y		01
QB01	IC1815M0	Transistor		2SC1815 Y,GR		01
QB02	IA101590	Transistor		2SA1015 O,Y		01
QM01	IC1815M0	Transistor		2SC1815 Y,GR		01
QM02	IC1815M0	Transistor		2SC1815 Y,GR		01
QM03	IA101590	Transistor		2SA1015 O,Y		01
QM04	IA101590	Transistor		2SA1015 O,Y		01
R101	HF458100	Carbon Resistor		100.0K 1/4 J		01
R102	VV058400	Flame Proof C. Resistor		390.0 1/4 J		01
R103	VV065300	Metal Film Resistor		6.8K 1/4 F		01
R104	VV065300	Metal Film Resistor		6.8K 1/4 F		01
R105	HF458100	Carbon Resistor		100.0K 1/4 J		01
R106	HF458100	Carbon Resistor		100.0K 1/4 J		01
R107	VV066000	Metal Film Resistor		33K 1/4 F		01
R108	VV066000	Metal Film Resistor		33K 1/4 F		01
R109	VV065200	Metal Film Resistor		4.7K 1/4 F		05
R110	HF454100	Carbon Resistor		10.0 1/4 J		01
-113	HF454100	Carbon Resistor		10.0 1/4 J		01
R114	VV066100	Metal Film Resistor		47K 1/4 F		01
R115	VV066100	Metal Film Resistor		47K 1/4 F		01
R116	VV064900	Metal Film Resistor		20.0 1/4 F		01
R117	VF459100	Metal Film Resistor		2.2K 1/4 F		01
R118	VF459100	Metal Film Resistor		2.2K 1/4 F		01
R119	VV065400	Metal Film Resistor		8.2K 1/4 F		01
R120	VV065400	Metal Film Resistor		8.2K 1/4 F		01
R121	VV065900	Metal Film Resistor		24K 1/4 F		01
R122	VV065900	Metal Film Resistor		24K 1/4 F		01
R123	VV065200	Metal Film Resistor		4.7K 1/4 F		05
R124	VV065200	Metal Film Resistor		4.7K 1/4 F		05
R125	HF457100	Carbon Resistor		10.0K 1/4 J		01
-127	HF457100	Carbon Resistor		10.0K 1/4 J		01
R128	HF455680	Carbon Resistor		680.0 1/4 J		01

*: New Parts

RANK: Japan only

REF NO.	PART NO.	DESCRIPTION		REMARKS	QTY	RANK
R129	HF455680	Carbon Resistor	680.0 1/4 J			01
R130	HF456270	Carbon Resistor	2.7K 1/4 J			01
-132	HF456270	Carbon Resistor	2.7K 1/4 J			01
R133	HF454100	Carbon Resistor	10.0 1/4 J			01
R134	HF458100	Carbon Resistor	100.0K 1/4 J			01
R135	HF455220	Carbon Resistor	220.0 1/4 J			01
R136	HF455220	Carbon Resistor	220.0 1/4 J			01
R137	HF457180	Carbon Resistor	18.0K 1/4 J			01
R138	HF454100	Carbon Resistor	10.0 1/4 J			01
R139	HF458100	Carbon Resistor	100.0K 1/4 J			01
R140	HF456820	Carbon Resistor	8.2K 1/4 J			01
R141	HF458100	Carbon Resistor	100.0K 1/4 J			01
R142	HF456470	Carbon Resistor	4.7K 1/4 J			01
R143	HF458100	Carbon Resistor	100.0K 1/4 J			01
R144	HF456330	Carbon Resistor	3.3K 1/4 J			01
R145	HF457180	Carbon Resistor	18.0K 1/4 J			01
-149	HF457180	Carbon Resistor	18.0K 1/4 J			01
R150	HF457680	Carbon Resistor	68.0K 1/4 J			01
R151	HF457680	Carbon Resistor	68.0K 1/4 J			01
R152	HF455180	Carbon Resistor	180.0 1/4 J			01
R153	HF456560	Carbon Resistor	5.6K 1/4 J			01
-156	HF456560	Carbon Resistor	5.6K 1/4 J			01
R201	HF458100	Carbon Resistor	100.0K 1/4 J			01
R202	VV058400	Flame Proof C. Resistor	390.0 1/4 J			01
R203	VV065300	Metal Film Resistor	6.8K 1/4 F			01
R204	VV065300	Metal Film Resistor	6.8K 1/4 F			01
R205	HF458100	Carbon Resistor	100.0K 1/4 J			01
R206	HF458100	Carbon Resistor	100.0K 1/4 J			01
R207	VV066000	Metal Film Resistor	33K 1/4 F			01
R208	VV066000	Metal Film Resistor	33K 1/4 F			01
R209	VV065200	Metal Film Resistor	4.7K 1/4 F			05
R210	HF454100	Carbon Resistor	10.0 1/4 J			01
-213	HF454100	Carbon Resistor	10.0 1/4 J			01
R214	VV066100	Metal Film Resistor	47K 1/4 F			01
R215	VV066100	Metal Film Resistor	47K 1/4 F			01
R216	VV064900	Metal Film Resistor	20.0 1/4 F			01
R217	VF459100	Metal Film Resistor	2.2K 1/4 F			01
R218	VF459100	Metal Film Resistor	2.2K 1/4 F			01
R219	VV065400	Metal Film Resistor	8.2K 1/4 F			01
R220	VV065400	Metal Film Resistor	8.2K 1/4 F			01
R221	VV065900	Metal Film Resistor	24K 1/4 F			01
R222	VV065900	Metal Film Resistor	24K 1/4 F			01
R223	VV065200	Metal Film Resistor	4.7K 1/4 F			05
R224	VV065200	Metal Film Resistor	4.7K 1/4 F			05
R225	HF457100	Carbon Resistor	10.0K 1/4 J			01
-227	HF457100	Carbon Resistor	10.0K 1/4 J			01
R228	HF455680	Carbon Resistor	680.0 1/4 J			01
R229	HF455680	Carbon Resistor	680.0 1/4 J			01
R230	HF456270	Carbon Resistor	2.7K 1/4 J			01
-232	HF456270	Carbon Resistor	2.7K 1/4 J			01
R233	HF454100	Carbon Resistor	10.0 1/4 J			01
R234	HF458100	Carbon Resistor	100.0K 1/4 J			01
R235	HF455220	Carbon Resistor	220.0 1/4 J			01
R236	HF455220	Carbon Resistor	220.0 1/4 J			01
R237	HF457180	Carbon Resistor	18.0K 1/4 J			01
R238	HF454100	Carbon Resistor	10.0 1/4 J			01
R239	HF458100	Carbon Resistor	100.0K 1/4 J			01
R240	HF456820	Carbon Resistor	8.2K 1/4 J			01
R241	HF458100	Carbon Resistor	100.0K 1/4 J			01
R242	HF456470	Carbon Resistor	4.7K 1/4 J			01
R243	HF458100	Carbon Resistor	100.0K 1/4 J			01
R244	HF456330	Carbon Resistor	3.3K 1/4 J			01
R245	HF457180	Carbon Resistor	18.0K 1/4 J			01
-249	HF457180	Carbon Resistor	18.0K 1/4 J			01
R250	HF457680	Carbon Resistor	68.0K 1/4 J			01
R251	HF457680	Carbon Resistor	68.0K 1/4 J			01
R252	HF455180	Carbon Resistor	180.0 1/4 J			01
R253	HF456560	Carbon Resistor	5.6K 1/4 J			01
-256	HF456560	Carbon Resistor	5.6K 1/4 J			01
R301	HF458100	Carbon Resistor	100.0K 1/4 J			01

*: New Parts

RANK: Japan only

REF NO.	PART NO.	DESCRIPTION		REMARKS	QTY	RANK
R302	VV058400	Flame Proof C. Resistor	390.0 1/4 J			01
R303	VV065300	Metal Film Resistor	6.8K 1/4 F			01
R304	VV065300	Metal Film Resistor	6.8K 1/4 F			01
R305	HF458100	Carbon Resistor	100.0K 1/4 J			01
R306	HF458100	Carbon Resistor	100.0K 1/4 J			01
R307	VV066000	Metal Film Resistor	33K 1/4 F			01
R308	VV066000	Metal Film Resistor	33K 1/4 F			01
R309	VV065200	Metal Film Resistor	4.7K 1/4 F			05
R310	HF454100	Carbon Resistor	10.0 1/4 J			01
-313	HF454100	Carbon Resistor	10.0 1/4 J			01
R314	VV066100	Metal Film Resistor	47K 1/4 F			01
R315	VV066100	Metal Film Resistor	47K 1/4 F			01
R316	VV064900	Metal Film Resistor	20.0 1/4 F			01
R317	VF459100	Metal Film Resistor	2.2K 1/4 F			01
R318	VF459100	Metal Film Resistor	2.2K 1/4 F			01
R319	VV065400	Metal Film Resistor	8.2K 1/4 F			01
R320	VV065400	Metal Film Resistor	8.2K 1/4 F			01
R321	VV065900	Metal Film Resistor	24K 1/4 F			01
R322	VV065900	Metal Film Resistor	24K 1/4 F			01
R323	VV065200	Metal Film Resistor	4.7K 1/4 F			05
R324	VV065200	Metal Film Resistor	4.7K 1/4 F			05
R325	HF457100	Carbon Resistor	10.0K 1/4 J			01
-327	HF457100	Carbon Resistor	10.0K 1/4 J			01
R328	HF455680	Carbon Resistor	680.0 1/4 J			01
R329	HF455680	Carbon Resistor	680.0 1/4 J			01
R330	HF456270	Carbon Resistor	2.7K 1/4 J			01
-332	HF456270	Carbon Resistor	2.7K 1/4 J			01
R333	HF454100	Carbon Resistor	10.0 1/4 J			01
R334	HF458100	Carbon Resistor	100.0K 1/4 J			01
R335	HF455220	Carbon Resistor	220.0 1/4 J			01
R336	HF455220	Carbon Resistor	220.0 1/4 J			01
R337	HF457180	Carbon Resistor	18.0K 1/4 J			01
R338	HF454100	Carbon Resistor	10.0 1/4 J			01
R339	HF458100	Carbon Resistor	100.0K 1/4 J			01
R340	HF456820	Carbon Resistor	8.2K 1/4 J			01
R341	HF458100	Carbon Resistor	100.0K 1/4 J			01
R342	HF456470	Carbon Resistor	4.7K 1/4 J			01
R343	HF458100	Carbon Resistor	100.0K 1/4 J			01
R344	HF456330	Carbon Resistor	3.3K 1/4 J			01
R345	HF457180	Carbon Resistor	18.0K 1/4 J			01
-349	HF457180	Carbon Resistor	18.0K 1/4 J			01
R350	HF457680	Carbon Resistor	68.0K 1/4 J			01
R351	HF457680	Carbon Resistor	68.0K 1/4 J			01
R352	HF455180	Carbon Resistor	180.0 1/4 J			01
R353	HF456560	Carbon Resistor	5.6K 1/4 J			01
-356	HF456560	Carbon Resistor	5.6K 1/4 J			01
R401	HF458100	Carbon Resistor	100.0K 1/4 J			01
R402	VV058400	Flame Proof C. Resistor	390.0 1/4 J			01
R403	VV065300	Metal Film Resistor	6.8K 1/4 F			01
R404	VV065300	Metal Film Resistor	6.8K 1/4 F			01
R405	HF458100	Carbon Resistor	100.0K 1/4 J			01
R406	HF458100	Carbon Resistor	100.0K 1/4 J			01
R407	VV066000	Metal Film Resistor	33K 1/4 F			01
R408	VV066000	Metal Film Resistor	33K 1/4 F			01
R409	VV065200	Metal Film Resistor	4.7K 1/4 F			05
R410	HF454100	Carbon Resistor	10.0 1/4 J			01
-413	HF454100	Carbon Resistor	10.0 1/4 J			01
R414	VV066100	Metal Film Resistor	47K 1/4 F			01
R415	VV066100	Metal Film Resistor	47K 1/4 F			01
R416	VV064900	Metal Film Resistor	20.0 1/4 F			01
R417	VF459100	Metal Film Resistor	2.2K 1/4 F			01
R418	VF459100	Metal Film Resistor	2.2K 1/4 F			01
R419	VV065400	Metal Film Resistor	8.2K 1/4 F			01
R420	VV065400	Metal Film Resistor	8.2K 1/4 F			01
R421	VV065900	Metal Film Resistor	24K 1/4 F			01
R422	VV065900	Metal Film Resistor	24K 1/4 F			01
R423	VV065200	Metal Film Resistor	4.7K 1/4 F			05
R424	VV065200	Metal Film Resistor	4.7K 1/4 F			05
R425	HF457100	Carbon Resistor	10.0K 1/4 J			01
-427	HF457100	Carbon Resistor	10.0K 1/4 J			01

*: New Parts

RANK: Japan only

REF NO.	PART NO.	DESCRIPTION		REMARKS	QTY	RANK
R428	HF455680	Carbon Resistor	680.0 1/4 J			01
R429	HF455680	Carbon Resistor	680.0 1/4 J			01
R430	HF456270	Carbon Resistor	2.7K 1/4 J			01
-432	HF456270	Carbon Resistor	2.7K 1/4 J			01
R433	HF454100	Carbon Resistor	10.0 1/4 J			01
R434	HF458100	Carbon Resistor	100.0K 1/4 J			01
R435	HF455220	Carbon Resistor	220.0 1/4 J			01
R436	HF455220	Carbon Resistor	220.0 1/4 J			01
R437	HF457180	Carbon Resistor	18.0K 1/4 J			01
R438	HF454100	Carbon Resistor	10.0 1/4 J			01
R439	HF458100	Carbon Resistor	100.0K 1/4 J			01
R440	HF456820	Carbon Resistor	8.2K 1/4 J			01
R441	HF458100	Carbon Resistor	100.0K 1/4 J			01
R442	HF456470	Carbon Resistor	4.7K 1/4 J			01
R443	HF458100	Carbon Resistor	100.0K 1/4 J			01
R444	HF456330	Carbon Resistor	3.3K 1/4 J			01
R445	HF457180	Carbon Resistor	18.0K 1/4 J			01
-449	HF457180	Carbon Resistor	18.0K 1/4 J			01
R450	HF457680	Carbon Resistor	68.0K 1/4 J			01
R451	HF457680	Carbon Resistor	68.0K 1/4 J			01
R452	HF455180	Carbon Resistor	180.0 1/4 J			01
R453	HF456560	Carbon Resistor	5.6K 1/4 J			01
-456	HF456560	Carbon Resistor	5.6K 1/4 J			01
R501	HF458100	Carbon Resistor	100.0K 1/4 J			01
R502	VV058400	Flame Proof C. Resistor	390.0 1/4 J			01
R503	VV065300	Metal Film Resistor	6.8K 1/4 F			01
R504	VV065300	Metal Film Resistor	6.8K 1/4 F			01
R505	HF458100	Carbon Resistor	100.0K 1/4 J			01
R506	HF458100	Carbon Resistor	100.0K 1/4 J			01
R507	VV066000	Metal Film Resistor	33K 1/4 F			01
R508	VV066000	Metal Film Resistor	33K 1/4 F			01
R509	VV065200	Metal Film Resistor	4.7K 1/4 F			05
R510	HF454100	Carbon Resistor	10.0 1/4 J			01
-513	HF454100	Carbon Resistor	10.0 1/4 J			01
R514	VV066100	Metal Film Resistor	47K 1/4 F			01
R515	VV066100	Metal Film Resistor	47K 1/4 F			01
R516	VV064900	Metal Film Resistor	20.0 1/4 F			01
R517	VF459100	Metal Film Resistor	2.2K 1/4 F			01
R518	VF459100	Metal Film Resistor	2.2K 1/4 F			01
R519	VV065400	Metal Film Resistor	8.2K 1/4 F			01
R520	VV065400	Metal Film Resistor	8.2K 1/4 F			01
R521	VV065900	Metal Film Resistor	24K 1/4 F			01
R522	VV065900	Metal Film Resistor	24K 1/4 F			01
R523	VV065200	Metal Film Resistor	4.7K 1/4 F			05
R524	VV065200	Metal Film Resistor	4.7K 1/4 F			05
R525	HF457100	Carbon Resistor	10.0K 1/4 J			01
-527	HF457100	Carbon Resistor	10.0K 1/4 J			01
R528	HF455680	Carbon Resistor	680.0 1/4 J			01
R529	HF455680	Carbon Resistor	680.0 1/4 J			01
R530	HF456270	Carbon Resistor	2.7K 1/4 J			01
-532	HF456270	Carbon Resistor	2.7K 1/4 J			01
R533	HF455180	Carbon Resistor	180.0 1/4 J			01
R535	HF455220	Carbon Resistor	220.0 1/4 J			01
R536	HF455220	Carbon Resistor	220.0 1/4 J			01
R537	HF457180	Carbon Resistor	18.0K 1/4 J			01
R538	HF454100	Carbon Resistor	10.0 1/4 J			01
R539	HF458100	Carbon Resistor	100.0K 1/4 J			01
R540	HF456820	Carbon Resistor	8.2K 1/4 J			01
R541	HF458100	Carbon Resistor	100.0K 1/4 J			01
R542	HF456470	Carbon Resistor	4.7K 1/4 J			01
R543	HF458100	Carbon Resistor	100.0K 1/4 J			01
R544	HF456330	Carbon Resistor	3.3K 1/4 J			01
R545	HF457180	Carbon Resistor	18.0K 1/4 J			01
-549	HF457180	Carbon Resistor	18.0K 1/4 J			01
R550	HF457680	Carbon Resistor	68.0K 1/4 J			01
R551	HF457680	Carbon Resistor	68.0K 1/4 J			01
R552	HF456560	Carbon Resistor	5.6K 1/4 J			01
-555	HF456560	Carbon Resistor	5.6K 1/4 J			01
R601	HF458100	Carbon Resistor	100.0K 1/4 J			01
R602	VV058400	Flame Proof C. Resistor	390.0 1/4 J			01

*: New Parts

RANK: Japan only

REF NO.	PART NO.	DESCRIPTION		REMARKS	QTY	RANK
R603	VV065300	Metal Film Resistor	6.8K 1/4 F			01
R604	VV065300	Metal Film Resistor	6.8K 1/4 F			01
R605	HF458100	Carbon Resistor	100.0K 1/4 J			01
R606	HF458100	Carbon Resistor	100.0K 1/4 J			01
R607	VV066000	Metal Film Resistor	33K 1/4 F			01
R608	VV066000	Metal Film Resistor	33K 1/4 F			01
R609	VV065200	Metal Film Resistor	4.7K 1/4 F			05
R610	HF454100	Carbon Resistor	10.0 1/4 J			01
-613	HF454100	Carbon Resistor	10.0 1/4 J			01
R614	VV066100	Metal Film Resistor	47K 1/4 F			01
R615	VV066100	Metal Film Resistor	47K 1/4 F			01
R616	VV064900	Metal Film Resistor	20.0 1/4 F			01
R617	VV065100	Metal Film Resistor	2.2K 1/4 F			01
R618	VV065100	Metal Film Resistor	2.2K 1/4 F			01
R619	VV065400	Metal Film Resistor	8.2K 1/4 F			01
R620	VV065400	Metal Film Resistor	8.2K 1/4 F			01
R621	VV065900	Metal Film Resistor	24K 1/4 F			01
R622	VV065900	Metal Film Resistor	24K 1/4 F			01
R623	VV065200	Metal Film Resistor	4.7K 1/4 F			05
R624	VV065200	Metal Film Resistor	4.7K 1/4 F			05
R625	HF457100	Carbon Resistor	10.0K 1/4 J			01
-627	HF457100	Carbon Resistor	10.0K 1/4 J			01
R628	HF455680	Carbon Resistor	680.0 1/4 J			01
R629	HF455680	Carbon Resistor	680.0 1/4 J			01
R630	HF456270	Carbon Resistor	2.7K 1/4 J			01
-632	HF456270	Carbon Resistor	2.7K 1/4 J			01
R633	HF455180	Carbon Resistor	180.0 1/4 J			01
R635	HF455220	Carbon Resistor	220.0 1/4 J			01
R636	HF455220	Carbon Resistor	220.0 1/4 J			01
R637	HF457180	Carbon Resistor	18.0K 1/4 J			01
R638	HF454100	Carbon Resistor	10.0 1/4 J			01
R639	HF458100	Carbon Resistor	100.0K 1/4 J			01
R640	HF456820	Carbon Resistor	8.2K 1/4 J			01
R641	HF458100	Carbon Resistor	100.0K 1/4 J			01
R642	HF456470	Carbon Resistor	4.7K 1/4 J			01
R643	HF458100	Carbon Resistor	100.0K 1/4 J			01
R644	HF456330	Carbon Resistor	3.3K 1/4 J			01
R645	HF457180	Carbon Resistor	18.0K 1/4 J			01
R646	HF457180	Carbon Resistor	18.0K 1/4 J			01
-649	HF457180	Carbon Resistor	18.0K 1/4 J			01
R650	HF457680	Carbon Resistor	68.0K 1/4 J			01
R651	HF457680	Carbon Resistor	68.0K 1/4 J			01
R652	HF456560	Carbon Resistor	5.6K 1/4 J			01
-655	HF456560	Carbon Resistor	5.6K 1/4 J			01
R701	HF458100	Carbon Resistor	100.0K 1/4 J			01
R702	VV058400	Flame Proof C. Resistor	390.0 1/4 J			01
R703	VV065300	Metal Film Resistor	6.8K 1/4 F			01
R704	VV065300	Metal Film Resistor	6.8K 1/4 F			01
R705	HF458100	Carbon Resistor	100.0K 1/4 J			01
R706	HF458100	Carbon Resistor	100.0K 1/4 J			01
R707	VV066000	Metal Film Resistor	33K 1/4 F			01
R708	VV066000	Metal Film Resistor	33K 1/4 F			01
R709	VV065200	Metal Film Resistor	4.7K 1/4 F			05
R710	HF454100	Carbon Resistor	10.0 1/4 J			01
-713	HF454100	Carbon Resistor	10.0 1/4 J			01
R714	VV066100	Metal Film Resistor	47K 1/4 F			01
R715	VV066100	Metal Film Resistor	47K 1/4 F			01
R716	VV064900	Metal Film Resistor	20.0 1/4 F			01
R717	VF459100	Metal Film Resistor	2.2K 1/4 F			01
R718	VF459100	Metal Film Resistor	2.2K 1/4 F			01
R719	VV065400	Metal Film Resistor	8.2K 1/4 F			01
R720	VV065400	Metal Film Resistor	8.2K 1/4 F			01
R721	VV065900	Metal Film Resistor	24K 1/4 F			01
R722	VV065900	Metal Film Resistor	24K 1/4 F			01
R723	VV065200	Metal Film Resistor	4.7K 1/4 F			05
R724	VV065200	Metal Film Resistor	4.7K 1/4 F			05
R725	HF457100	Carbon Resistor	10.0K 1/4 J			01
-727	HF457100	Carbon Resistor	10.0K 1/4 J			01
R728	HF455680	Carbon Resistor	680.0 1/4 J			01
R729	HF455680	Carbon Resistor	680.0 1/4 J			01

*: New Parts

RANK: Japan only

REF NO.	PART NO.	DESCRIPTION		REMARKS	QTY	RANK
R730	HF456270	Carbon Resistor	2.7K 1/4 J			01
-732	HF456270	Carbon Resistor	2.7K 1/4 J			01
R733	HF455180	Carbon Resistor	180.0 1/4 J			01
R735	HF455220	Carbon Resistor	220.0 1/4 J			01
R736	HF455220	Carbon Resistor	220.0 1/4 J			01
R737	HF457180	Carbon Resistor	18.0K 1/4 J			01
R738	HF454100	Carbon Resistor	10.0 1/4 J			01
R739	HF458100	Carbon Resistor	100.0K 1/4 J			01
R740	HF456820	Carbon Resistor	8.2K 1/4 J			01
R741	HF458100	Carbon Resistor	100.0K 1/4 J			01
R742	HF456470	Carbon Resistor	4.7K 1/4 J			01
R743	HF458100	Carbon Resistor	100.0K 1/4 J			01
R744	HF456330	Carbon Resistor	3.3K 1/4 J			01
R745	HF457180	Carbon Resistor	18.0K 1/4 J			01
-749	HF457180	Carbon Resistor	18.0K 1/4 J			01
R750	HF457680	Carbon Resistor	68.0K 1/4 J			01
R751	HF457680	Carbon Resistor	68.0K 1/4 J			01
R752	HF456560	Carbon Resistor	5.6K 1/4 J			01
-755	HF456560	Carbon Resistor	5.6K 1/4 J			01
R801	HF458100	Carbon Resistor	100.0K 1/4 J			01
R802	VV058400	Flame Proof C. Resistor	390.0 1/4 J			01
R803	VV065300	Metal Film Resistor	6.8K 1/4 F			01
R804	VV065300	Metal Film Resistor	6.8K 1/4 F			01
R805	HF458100	Carbon Resistor	100.0K 1/4 J			01
R806	HF458100	Carbon Resistor	100.0K 1/4 J			01
R807	VV066000	Metal Film Resistor	33K 1/4 F			01
R808	VV066000	Metal Film Resistor	33K 1/4 F			01
R809	VV065200	Metal Film Resistor	4.7K 1/4 F			05
R810	HF454100	Carbon Resistor	10.0 1/4 J			01
-813	HF454100	Carbon Resistor	10.0 1/4 J			01
R814	VV066100	Metal Film Resistor	47K 1/4 F			01
R815	VV066100	Metal Film Resistor	47K 1/4 F			01
R816	VV064900	Metal Film Resistor	20.0 1/4 F			01
R817	VF459100	Metal Film Resistor	2.2K 1/4 F			01
R818	VF459100	Metal Film Resistor	2.2K 1/4 F			01
R819	VV065400	Metal Film Resistor	8.2K 1/4 F			01
R820	VV065400	Metal Film Resistor	8.2K 1/4 F			01
R821	VV065900	Metal Film Resistor	24K 1/4 F			01
R822	VV065900	Metal Film Resistor	24K 1/4 F			01
R823	VV065200	Metal Film Resistor	4.7K 1/4 F			05
R824	VV065200	Metal Film Resistor	4.7K 1/4 F			05
R825	HF457100	Carbon Resistor	10.0K 1/4 J			01
-827	HF457100	Carbon Resistor	10.0K 1/4 J			01
R828	HF455680	Carbon Resistor	680.0 1/4 J			01
R829	HF455680	Carbon Resistor	680.0 1/4 J			01
R830	HF456270	Carbon Resistor	2.7K 1/4 J			01
-832	HF456270	Carbon Resistor	2.7K 1/4 J			01
R833	HF455180	Carbon Resistor	180.0 1/4 J			01
R835	HF455220	Carbon Resistor	220.0 1/4 J			01
R836	HF455220	Carbon Resistor	220.0 1/4 J			01
R837	HF457180	Carbon Resistor	18.0K 1/4 J			01
R838	HF454100	Carbon Resistor	10.0 1/4 J			01
R839	HF458100	Carbon Resistor	100.0K 1/4 J			01
R840	HF456820	Carbon Resistor	8.2K 1/4 J			01
R841	HF458100	Carbon Resistor	100.0K 1/4 J			01
R842	HF456470	Carbon Resistor	4.7K 1/4 J			01
R843	HF458100	Carbon Resistor	100.0K 1/4 J			01
R844	HF456330	Carbon Resistor	3.3K 1/4 J			01
R845	HF457180	Carbon Resistor	18.0K 1/4 J			01
-849	HF457180	Carbon Resistor	18.0K 1/4 J			01
R850	HF457680	Carbon Resistor	68.0K 1/4 J			01
R851	HF457680	Carbon Resistor	68.0K 1/4 J			01
R852	HF456560	Carbon Resistor	5.6K 1/4 J			01
-855	HF456560	Carbon Resistor	5.6K 1/4 J			01
R901	HF458240	Carbon Resistor	240.0K 1/4 J			01
R902	HF457100	Carbon Resistor	10.0K 1/4 J			01
R903	HF456470	Carbon Resistor	4.7K 1/4 J			01
R904	HF455220	Carbon Resistor	220.0 1/4 J			01
R905	HF455120	Carbon Resistor	120.0 1/4 J			01
R906	HF457200	Carbon Resistor	20.0K 1/4 J			01

*: New Parts

RANK: Japan only

REF NO.	PART NO.	DESCRIPTION	REMARKS	QTY	RANK
R907	HF457100	Carbon Resistor	10.0K 1/4 J		01
-909	HF457100	Carbon Resistor	10.0K 1/4 J		01
R910	HF455680	Carbon Resistor	680.0 1/4 J		01
R911	HF455680	Carbon Resistor	680.0 1/4 J		01
R912	HF456270	Carbon Resistor	2.7K 1/4 J		01
-914	HF456270	Carbon Resistor	2.7K 1/4 J		01
R915	HF454100	Carbon Resistor	10.0 1/4 J		01
R916	HF458100	Carbon Resistor	100.0K 1/4 J		01
R917	HF455220	Carbon Resistor	220.0 1/4 J		01
R918	HF455220	Carbon Resistor	220.0 1/4 J		01
R919	HF457180	Carbon Resistor	18.0K 1/4 J		01
R920	HF454100	Carbon Resistor	10.0 1/4 J		01
R921	HF457180	Carbon Resistor	18.0K 1/4 J		01
R922	HF457270	Carbon Resistor	27.0K 1/4 J		01
-924	HF457270	Carbon Resistor	27.0K 1/4 J		01
R925	HF457680	Carbon Resistor	68.0K 1/4 J		01
R926	HF458100	Carbon Resistor	100.0K 1/4 J		01
R927	HF457100	Carbon Resistor	10.0K 1/4 J		01
R928	HF458100	Carbon Resistor	100.0K 1/4 J		01
R929	HF456470	Carbon Resistor	4.7K 1/4 J		01
R930	HF458100	Carbon Resistor	100.0K 1/4 J		01
R931	HF456330	Carbon Resistor	3.3K 1/4 J		01
R932	HF458100	Carbon Resistor	100.0K 1/4 J		01
RA01	HF458240	Carbon Resistor	240.0K 1/4 J		01
RA02	HF457100	Carbon Resistor	10.0K 1/4 J		01
RA03	HF456470	Carbon Resistor	4.7K 1/4 J		01
RA04	HF455220	Carbon Resistor	220.0 1/4 J		01
RA05	HF455120	Carbon Resistor	120.0 1/4 J		01
RA06	HF457200	Carbon Resistor	20.0K 1/4 J		01
RA07	HF457100	Carbon Resistor	10.0K 1/4 J		01
-09	HF457100	Carbon Resistor	10.0K 1/4 J		01
RA10	HF455680	Carbon Resistor	680.0 1/4 J		01
RA11	HF455680	Carbon Resistor	680.0 1/4 J		01
RA12	HF456270	Carbon Resistor	2.7K 1/4 J		01
-14	HF456270	Carbon Resistor	2.7K 1/4 J		01
RA15	HF454100	Carbon Resistor	10.0 1/4 J		01
RA16	HF458100	Carbon Resistor	100.0K 1/4 J		01
RA17	HF455220	Carbon Resistor	220.0 1/4 J		01
RA18	HF455220	Carbon Resistor	220.0 1/4 J		01
RA19	HF457180	Carbon Resistor	18.0K 1/4 J		01
RA20	HF454100	Carbon Resistor	10.0 1/4 J		01
RA21	HF457180	Carbon Resistor	18.0K 1/4 J		01
RA22	HF457270	Carbon Resistor	27.0K 1/4 J		01
-24	HF457270	Carbon Resistor	27.0K 1/4 J		01
RA25	HF457680	Carbon Resistor	68.0K 1/4 J		01
RA26	HF458100	Carbon Resistor	100.0K 1/4 J		01
RB01	HF458240	Carbon Resistor	240.0K 1/4 J		01
RB02	HF457100	Carbon Resistor	10.0K 1/4 J		01
RB03	HF456470	Carbon Resistor	4.7K 1/4 J		01
RB04	HF455220	Carbon Resistor	220.0 1/4 J		01
RB05	HF455120	Carbon Resistor	120.0 1/4 J		01
RB06	HF457200	Carbon Resistor	20.0K 1/4 J		01
RB07	HF457100	Carbon Resistor	10.0K 1/4 J		01
-09	HF457100	Carbon Resistor	10.0K 1/4 J		01
RB10	HF455680	Carbon Resistor	680.0 1/4 J		01
RB11	HF455680	Carbon Resistor	680.0 1/4 J		01
RB12	HF456270	Carbon Resistor	2.7K 1/4 J		01
-14	HF456270	Carbon Resistor	2.7K 1/4 J		01
RB15	HF454100	Carbon Resistor	10.0 1/4 J		01
RB16	HF458100	Carbon Resistor	100.0K 1/4 J		01
RB17	HF455220	Carbon Resistor	220.0 1/4 J		01
RB18	HF455220	Carbon Resistor	220.0 1/4 J		01
RB19	HF457180	Carbon Resistor	18.0K 1/4 J		01
RB20	HF454100	Carbon Resistor	10.0 1/4 J		01
RB21	HF457180	Carbon Resistor	18.0K 1/4 J		01
RB22	HF457270	Carbon Resistor	27.0K 1/4 J		01
-24	HF457270	Carbon Resistor	27.0K 1/4 J		01
RB25	HF457680	Carbon Resistor	68.0K 1/4 J		01
RB26	HF458100	Carbon Resistor	100.0K 1/4 J		01
RB27	HF457100	Carbon Resistor	10.0K 1/4 J		01

*: New Parts

RANK: Japan only

REF NO.	PART NO.	DESCRIPTION	REMARKS	QTY	RANK
RB28	HF458100	Carbon Resistor	100.0K 1/4 J		01
RB29	HF456470	Carbon Resistor	4.7K 1/4 J		01
RB30	HF458100	Carbon Resistor	100.0K 1/4 J		01
RB31	HF456330	Carbon Resistor	3.3K 1/4 J		01
RB32	HF458100	Carbon Resistor	100.0K 1/4 J		01
RC01	HF458240	Carbon Resistor	240.0K 1/4 J		01
RC02	HF457100	Carbon Resistor	10.0K 1/4 J		01
RC03	HF456470	Carbon Resistor	4.7K 1/4 J		01
RC04	HF455220	Carbon Resistor	220.0 1/4 J		01
RC05	HF455120	Carbon Resistor	120.0 1/4 J		01
RC06	HF457200	Carbon Resistor	20.0K 1/4 J		01
RC07	HF457100	Carbon Resistor	10.0K 1/4 J		01
-09	HF457100	Carbon Resistor	10.0K 1/4 J		01
RC10	HF455680	Carbon Resistor	680.0 1/4 J		01
RC11	HF455680	Carbon Resistor	680.0 1/4 J		01
RC12	HF456270	Carbon Resistor	2.7K 1/4 J		01
-14	HF456270	Carbon Resistor	2.7K 1/4 J		01
RC15	HF454100	Carbon Resistor	10.0 1/4 J		01
RC16	HF458100	Carbon Resistor	100.0K 1/4 J		01
RC17	HF455220	Carbon Resistor	220.0 1/4 J		01
RC18	HF455220	Carbon Resistor	220.0 1/4 J		01
RC19	HF457180	Carbon Resistor	18.0K 1/4 J		01
RC20	HF454100	Carbon Resistor	10.0 1/4 J		01
RC21	HF457180	Carbon Resistor	18.0K 1/4 J		01
RC22	HF457270	Carbon Resistor	27.0K 1/4 J		01
-24	HF457270	Carbon Resistor	27.0K 1/4 J		01
RC25	HF457680	Carbon Resistor	68.0K 1/4 J		01
RC26	HF458100	Carbon Resistor	100.0K 1/4 J		01
RD01	HF456390	Carbon Resistor	3.9K 1/4 J		01
-04	HF456390	Carbon Resistor	3.9K 1/4 J		01
RD05	HF456680	Carbon Resistor	6.8K 1/4 J		01
-08	HF456680	Carbon Resistor	6.8K 1/4 J		01
RD09	HF455220	Carbon Resistor	220.0 1/4 J		01
-12	HF455220	Carbon Resistor	220.0 1/4 J		01
RD13	HF454100	Carbon Resistor	10.0 1/4 J		01
-16	HF454100	Carbon Resistor	10.0 1/4 J		01
RD17	HF457180	Carbon Resistor	18.0K 1/4 J		01
RD18	HF457180	Carbon Resistor	18.0K 1/4 J		01
RD19	HF457270	Carbon Resistor	27.0K 1/4 J		01
-22	HF457270	Carbon Resistor	27.0K 1/4 J		01
RD23	HF457360	Carbon Resistor	36.0K 1/4 J		01
RD24	HF457360	Carbon Resistor	36.0K 1/4 J		01
RD25	HF457180	Carbon Resistor	18.0K 1/4 J		01
RD26	HF457180	Carbon Resistor	18.0K 1/4 J		01
RD27	HF457270	Carbon Resistor	27.0K 1/4 J		01
-30	HF457270	Carbon Resistor	27.0K 1/4 J		01
RD31	HF457360	Carbon Resistor	36.0K 1/4 J		01
RD32	HF457360	Carbon Resistor	36.0K 1/4 J		01
RD33	HF458120	Carbon Resistor	120.0K 1/4 J		01
RD34	HF458120	Carbon Resistor	120.0K 1/4 J		01
RD35	HF455220	Carbon Resistor	220.0 1/4 J		01
RD36	HF455220	Carbon Resistor	220.0 1/4 J		01
RD37	HF457120	Carbon Resistor	12.0K 1/4 J		01
RD38	HF457120	Carbon Resistor	12.0K 1/4 J		01
RD39	HF455220	Carbon Resistor	220.0 1/4 J		01
RD40	HF455220	Carbon Resistor	220.0 1/4 J		01
RD41	HF456680	Carbon Resistor	6.8K 1/4 J		01
RD42	HF456680	Carbon Resistor	6.8K 1/4 J		01
RD43	HF457100	Carbon Resistor	10.0K 1/4 J		01
RD44	HF457100	Carbon Resistor	10.0K 1/4 J		01
RD45	HF454100	Carbon Resistor	10.0 1/4 J		01
RD46	HF454100	Carbon Resistor	10.0 1/4 J		01
RD47	HF457180	Carbon Resistor	18.0K 1/4 J		01
RD48	HF457180	Carbon Resistor	18.0K 1/4 J		01
RD49	HF457360	Carbon Resistor	36.0K 1/4 J		01
RD50	HF457360	Carbon Resistor	36.0K 1/4 J		01
RD51	HF457180	Carbon Resistor	18.0K 1/4 J		01
RD52	HF457180	Carbon Resistor	18.0K 1/4 J		01
RD53	HF457270	Carbon Resistor	27.0K 1/4 J		01
-56	HF457270	Carbon Resistor	27.0K 1/4 J		01

*: New Parts

RANK: Japan only

REF NO.	PART NO.	DESCRIPTION		REMARKS	QTY	RANK
RE01	HF457180	Carbon Resistor	18.0K 1/4 J			01
RE02	HF457100	Carbon Resistor	10.0K 1/4 J			01
RE03	HF457100	Carbon Resistor	10.0K 1/4 J			01
RE04	HF456330	Carbon Resistor	3.3K 1/4 J			01
RE05	HF456330	Carbon Resistor	3.3K 1/4 J			01
RE06	HF458100	Carbon Resistor	100.0K 1/4 J			01
RE07	HF457120	Carbon Resistor	12.0K 1/4 J			01
RE08	HF455220	Carbon Resistor	220.0 1/4 J			01
RE09	HF456560	Carbon Resistor	5.6K 1/4 J			01
RE10	HF456220	Carbon Resistor	2.2K 1/4 J			01
RE11	HF457100	Carbon Resistor	10.0K 1/4 J			01
RE12	HF457100	Carbon Resistor	10.0K 1/4 J			01
RE13	HF454750	Carbon Resistor	75.0 1/4 J			01
RE14	HF457120	Carbon Resistor	12.0K 1/4 J			01
RE15	HF455220	Carbon Resistor	220.0 1/4 J			01
RE16	HF456560	Carbon Resistor	5.6K 1/4 J			01
RE17	HF456220	Carbon Resistor	2.2K 1/4 J			01
RE18	HF457100	Carbon Resistor	10.0K 1/4 J			01
RE19	HF457100	Carbon Resistor	10.0K 1/4 J			01
RE20	HF454750	Carbon Resistor	75.0 1/4 J			01
RE21	HF456150	Carbon Resistor	1.5K 1/4 J			01
RE22	HF456120	Carbon Resistor	1.2K 1/4 J			01
RE23	HF457330	Carbon Resistor	33.0K 1/4 J			01
RE24	HF454750	Carbon Resistor	75.0 1/4 J			01
RE25	HF454750	Carbon Resistor	75.0 1/4 J			01
RF01	HF457180	Carbon Resistor	18.0K 1/4 J			01
RF02	HF457100	Carbon Resistor	10.0K 1/4 J			01
RF03	HF457100	Carbon Resistor	10.0K 1/4 J			01
RF04	HF456330	Carbon Resistor	3.3K 1/4 J			01
RF05	HF456330	Carbon Resistor	3.3K 1/4 J			01
RF06	HF458100	Carbon Resistor	100.0K 1/4 J			01
RF07	HF457120	Carbon Resistor	12.0K 1/4 J			01
RF08	HF455220	Carbon Resistor	220.0 1/4 J			01
RF09	HF456560	Carbon Resistor	5.6K 1/4 J			01
RF10	HF456220	Carbon Resistor	2.2K 1/4 J			01
RF11	HF457100	Carbon Resistor	10.0K 1/4 J			01
RF12	HF457100	Carbon Resistor	10.0K 1/4 J			01
RF13	HF454750	Carbon Resistor	75.0 1/4 J			01
RF14	HF457120	Carbon Resistor	12.0K 1/4 J			01
RF15	HF455220	Carbon Resistor	220.0 1/4 J			01
RF16	HF456560	Carbon Resistor	5.6K 1/4 J			01
RF17	HF456220	Carbon Resistor	2.2K 1/4 J			01
RF18	HF457100	Carbon Resistor	10.0K 1/4 J			01
RF19	HF457100	Carbon Resistor	10.0K 1/4 J			01
RF20	HF454750	Carbon Resistor	75.0 1/4 J			01
RF21	HF456150	Carbon Resistor	1.5K 1/4 J			01
RF22	HF456120	Carbon Resistor	1.2K 1/4 J			01
RF23	HF457330	Carbon Resistor	33.0K 1/4 J			01
RF24	HF454750	Carbon Resistor	75.0 1/4 J			01
RF25	HF454750	Carbon Resistor	75.0 1/4 J			01
RG01	HF457270	Carbon Resistor	27.0K 1/4 J			01
RG02	HF457270	Carbon Resistor	27.0K 1/4 J			01
RG03	HF457180	Carbon Resistor	18.0K 1/4 J			01
RG04	HF457180	Carbon Resistor	18.0K 1/4 J			01
RG05	HF457330	Carbon Resistor	33.0K 1/4 J			01
RG06	HF457100	Carbon Resistor	10.0K 1/4 J			01
RG07	HF454750	Carbon Resistor	75.0 1/4 J			01
RG08	VV065600	Metal Film Resistor	11K 1/4 F			05
RG09	VV065600	Metal Film Resistor	11K 1/4 F			05
RG10	HF458100	Carbon Resistor	100.0K 1/4 J			01
RG11	HF457330	Carbon Resistor	33.0K 1/4 J			01
RG12	HF457330	Carbon Resistor	33.0K 1/4 J			01
RG13	HF457100	Carbon Resistor	10.0K 1/4 J			01
RG14	HF457100	Carbon Resistor	10.0K 1/4 J			01
RG15	VV065600	Metal Film Resistor	11K 1/4 F			05
RG16	HF454750	Carbon Resistor	75.0 1/4 J			01
RH01	HF457180	Carbon Resistor	18.0K 1/4 J			01
RH02	HF457180	Carbon Resistor	18.0K 1/4 J			01
RH03	HF457330	Carbon Resistor	33.0K 1/4 J			01
RH04	HF457100	Carbon Resistor	10.0K 1/4 J			01

*: New Parts

RANK: Japan only

REF NO.	PART NO.	DESCRIPTION		REMARKS	QTY	RANK
RH05	HF454750	Carbon Resistor	75.0 1/4 J			01
RH06	HF457330	Carbon Resistor	33.0K 1/4 J			01
RH07	HF457330	Carbon Resistor	33.0K 1/4 J			01
RH08	HF454750	Carbon Resistor	75.0 1/4 J			01
RI01	HF457180	Carbon Resistor	18.0K 1/4 J			01
RI02	HF457180	Carbon Resistor	18.0K 1/4 J			01
RI03	HF457330	Carbon Resistor	33.0K 1/4 J			01
RI04	HF457100	Carbon Resistor	10.0K 1/4 J			01
RI05	HF454750	Carbon Resistor	75.0 1/4 J			01
RI06	HF457330	Carbon Resistor	33.0K 1/4 J			01
RI07	HF457330	Carbon Resistor	33.0K 1/4 J			01
RI08	HF454750	Carbon Resistor	75.0 1/4 J			01
RJ01	HF457360	Carbon Resistor	36.0K 1/4 J			01
RJ02	HF454100	Carbon Resistor	10.0 1/4 J			01
RJ03	HF457180	Carbon Resistor	18.0K 1/4 J			01
RJ04	HF457330	Carbon Resistor	33.0K 1/4 J			01
RJ05	HF457100	Carbon Resistor	10.0K 1/4 J			01
RJ06	HF454750	Carbon Resistor	75.0 1/4 J			01
RJ07	HF457330	Carbon Resistor	33.0K 1/4 J			01
RJ08	HF457330	Carbon Resistor	33.0K 1/4 J			01
RJ09	HF454750	Carbon Resistor	75.0 1/4 J			01
RK01	HF457680	Carbon Resistor	68.0K 1/4 J			01
RK02	HF457180	Carbon Resistor	18.0K 1/4 J			01
RK03	HF458180	Carbon Resistor	180.0K 1/4 J			01
RK04	HF455220	Carbon Resistor	220.0 1/4 J			01
RK05	HF455220	Carbon Resistor	220.0 1/4 J			01
RK06	HF458100	Carbon Resistor	100.0K 1/4 J			01
RK07	VV058500	Flame Proof C. Resistor	10.0 1/4 J			01
RK08	VV058500	Flame Proof C. Resistor	10.0 1/4 J			01
RL01	HF457680	Carbon Resistor	68.0K 1/4 J			01
RL02	HF457180	Carbon Resistor	18.0K 1/4 J			01
RL03	HF458180	Carbon Resistor	180.0K 1/4 J			01
RL04	HF455220	Carbon Resistor	220.0 1/4 J			01
RL05	HF455220	Carbon Resistor	220.0 1/4 J			01
RL06	HF458100	Carbon Resistor	100.0K 1/4 J			01
RM01	HF458100	Carbon Resistor	100.0K 1/4 J			01
RM02	HF458100	Carbon Resistor	100.0K 1/4 J			01
RM03	HF456820	Carbon Resistor	8.2K 1/4 J			01
RM04	HF456820	Carbon Resistor	8.2K 1/4 J			01
RM05	HF458100	Carbon Resistor	100.0K 1/4 J			01
RM06	HF458100	Carbon Resistor	100.0K 1/4 J			01
RM07	HF456470	Carbon Resistor	4.7K 1/4 J			01
RM08	HF456470	Carbon Resistor	4.7K 1/4 J			01
RM09	HF458100	Carbon Resistor	100.0K 1/4 J			01
RM10	HF458100	Carbon Resistor	100.0K 1/4 J			01
RM11	HF456330	Carbon Resistor	3.3K 1/4 J			01
RM12	HF456330	Carbon Resistor	3.3K 1/4 J			01
RM13	HF458240	Carbon Resistor	240.0K 1/4 J			01
RM14	HF458240	Carbon Resistor	240.0K 1/4 J			01
RM15	HF455330	Carbon Resistor	330.0 1/4 J			01
RM16	HF455330	Carbon Resistor	330.0 1/4 J			01
RM17	HF457470	Carbon Resistor	47.0K 1/4 J			01
RM18	HF457470	Carbon Resistor	47.0K 1/4 J			01
RM19	HF457100	Carbon Resistor	10.0K 1/4 J			01
RM20	HF457100	Carbon Resistor	10.0K 1/4 J			01
RM21	HF458100	Carbon Resistor	100.0K 1/4 J			01
RM22	HF458100	Carbon Resistor	100.0K 1/4 J			01
RM23	HF456330	Carbon Resistor	3.3K 1/4 J			01
RM24	HF456560	Carbon Resistor	5.6K 1/4 J			01
RM25	HF457470	Carbon Resistor	47.0K 1/4 J			01
RM26	HF457470	Carbon Resistor	47.0K 1/4 J			01
RM27	HF457100	Carbon Resistor	10.0K 1/4 J			01
RM28	HF457100	Carbon Resistor	10.0K 1/4 J			01
SW101	V2947300	Push Switch	ESB31L402	PFL(CH1)		02
SW201	V2947300	Push Switch	ESB31L402	PFL(CH2)		02
SW301	V2947300	Push Switch	ESB31L402	PFL(CH3)		02
SW401	V2947300	Push Switch	ESB31L402	PFL(CH4)		02
SW501	V2947300	Push Switch	ESB31L402	PFL(CH5)		02
SW601	V2947300	Push Switch	ESB31L402	PFL(CH6)		02
SW701	V2947300	Push Switch	ESB31L402	PFL(CH7)		02

*: New Parts

RANK: Japan only

REF NO.	PART NO.	DESCRIPTION		REMARKS	QTY	RANK
SW801	V2947300	Push Switch	ESB31L402	PFL(CH8)		02
SW901	V2947300	Push Switch	ESB31L402	A,B(CH9/10)		02
SW902	V2947300	Push Switch	ESB31L402	PFL(CH9/10)		02
SWB01	V2947300	Push Switch	ESB31L402	A,B(CH11/12)		02
SWB02	V2947300	Push Switch	ESB31L402	PFL(CH11/12)		02
SWD01	V2947300	Push Switch	ESB31L402	PFL(ST SUB1,2,TAPE IN,		02
-04	V2947300	Push Switch	ESB31L402	D.EFFECT ON)		02
SWE01	V2947300	Push Switch	ESB31L402	G.EQ ON		02
SWE02	V2947300	Push Switch	ESB31L402	AFL(ST1)		02
SWG01	V2947300	Push Switch	ESB31L402	AFL(MONO)		02
SWG02	VZ253800	Slide Switch	SS008-P2430BB-PA6	POWER AMP Select Switch		03
SWH01	V2947300	Push Switch	ESB31L402	AFL(MONI1)		02
SWI01	V2947300	Push Switch	ESB31L402	AFL(MONI2)		02
SWJ01	V2947300	Push Switch	ESB31L402	AFL(EFFECT)		02
SWM01	VV051500	Slide Switch	SSU012NB1-YL	PHANTOM ON/OFF		02
VR101	V6159600	Rotary Variable Resistor	RD 5K RK09D113	CH1(GAIN)		01
VR102	V5521600	Rotary Variable Resistor	B 50.0K RD09F113	CH1(HIGH,MID,LOW)		01
-104	V5521600	Rotary Variable Resistor	B 50.0K RD09F113			01
VR105	VU804100	Slide Variable Resistor	RS6011YG6036-10KA	CH1(Fader)		04
VR106	VZ610800	Rotary Variable Resistor	AC 20K RK12L123	CH1(PAN)		03
VR107	V5521500	Rotary Variable Resistor	A 20.0K RK09D113	CH1(EFFECT,MONI1,2)		01
-109	V5521500	Rotary Variable Resistor	A 20.0K RK09D113			01
VR201	V6159600	Rotary Variable Resistor	RD 5K RK09D113	CH2(GAIN)		01
VR202	V5521600	Rotary Variable Resistor	B 50.0K RD09F113	CH2(HIGH,MID,LOW)		01
-204	V5521600	Rotary Variable Resistor	B 50.0K RD09F113			01
VR205	VU804100	Slide Variable Resistor	RS6011YG6036-10KA	CH2(Fader)		04
VR206	VZ610800	Rotary Variable Resistor	AC 20K RK12L123	CH2(PAN)		03
VR207	V5521500	Rotary Variable Resistor	A 20.0K RK09D113	CH2(EFFECT,MONI1,2)		01
-209	V5521500	Rotary Variable Resistor	A 20.0K RK09D113			01
VR301	V6159600	Rotary Variable Resistor	RD 5K RK09D113	CH3(GAIN)		01
VR302	V5521600	Rotary Variable Resistor	B 50.0K RD09F113	CH3(HIGH,MID,LOW)		01
-304	V5521600	Rotary Variable Resistor	B 50.0K RD09F113			01
VR305	VU804100	Slide Variable Resistor	RS6011YG6036-10KA	CH3(Fader)		04
VR306	VZ610800	Rotary Variable Resistor	AC 20K RK12L123	CH3(PAN)		03
VR307	V5521500	Rotary Variable Resistor	A 20.0K RK09D113	CH3(EFFECT,MONI1,2)		01
-309	V5521500	Rotary Variable Resistor	A 20.0K RK09D113			01
VR401	V6159600	Rotary Variable Resistor	RD 5K RK09D113	CH4(GAIN)		01
VR402	V5521600	Rotary Variable Resistor	B 50.0K RD09F113	CH4(HIGH,MID,LOW)		01
-404	V5521600	Rotary Variable Resistor	B 50.0K RD09F113			01
VR405	VU804100	Slide Variable Resistor	RS6011YG6036-10KA	CH4(Fader)		04
VR406	VZ610800	Rotary Variable Resistor	AC 20K RK12L123	CH4(PAN)		03
VR407	V5521500	Rotary Variable Resistor	A 20.0K RK09D113	CH4(EFFECT,MONI1,2)		01
-409	V5521500	Rotary Variable Resistor	A 20.0K RK09D113			01
VR501	V6159600	Rotary Variable Resistor	RD 5K RK09D113	CH5(GAIN)		01
VR502	V5521600	Rotary Variable Resistor	B 50.0K RD09F113	CH5(HIGH,MID,LOW)		01
-504	V5521600	Rotary Variable Resistor	B 50.0K RD09F113			01
VR505	VU804100	Slide Variable Resistor	RS6011YG6036-10KA	CH5(Fader)		04
VR506	VZ610800	Rotary Variable Resistor	AC 20K RK12L123	CH5(PAN)		03
VR507	V5521500	Rotary Variable Resistor	A 20.0K RK09D113	CH5(EFFECT,MONI1,2)		01
-509	V5521500	Rotary Variable Resistor	A 20.0K RK09D113			01
VR601	V6159600	Rotary Variable Resistor	RD 5K RK09D113	CH6(GAIN)		01
VR602	V5521600	Rotary Variable Resistor	B 50.0K RD09F113	CH6(HIGH,MID,LOW)		01
-604	V5521600	Rotary Variable Resistor	B 50.0K RD09F113			01
VR605	VU804100	Slide Variable Resistor	RS6011YG6036-10KA	CH6(Fader)		04
VR606	VZ610800	Rotary Variable Resistor	AC 20K RK12L123	CH6(PAN)		03
VR607	V5521500	Rotary Variable Resistor	A 20.0K RK09D113	CH6(EFFECT,MONI1,2)		01
-609	V5521500	Rotary Variable Resistor	A 20.0K RK09D113			01
VR701	V6159600	Rotary Variable Resistor	RD 5K RK09D113	CH7(GAIN)		01
VR702	V5521600	Rotary Variable Resistor	B 50.0K RD09F113	CH7(HIGH,MID,LOW)		01
-704	V5521600	Rotary Variable Resistor	B 50.0K RD09F113			01
VR705	VU804100	Slide Variable Resistor	RS6011YG6036-10KA	CH7(Fader)		04
VR706	VZ610800	Rotary Variable Resistor	AC 20K RK12L123	CH7(PAN)		03
VR707	V5521500	Rotary Variable Resistor	A 20.0K RK09D113	CH7(EFFECT,MONI1,2)		01
-709	V5521500	Rotary Variable Resistor	A 20.0K RK09D113			01
VR801	V6159600	Rotary Variable Resistor	RD 5K RK09D113	CH8(GAIN)		01
VR802	V5521600	Rotary Variable Resistor	B 50.0K RD09F113	CH8(HIGH,MID,LOW)		01
-804	V5521600	Rotary Variable Resistor	B 50.0K RD09F113			01
VR805	VU804100	Slide Variable Resistor	RS6011YG6036-10KA	CH8(Fader)		04
VR806	VZ610800	Rotary Variable Resistor	AC 20K RK12L123	CH8(PAN)		03
VR807	V5521500	Rotary Variable Resistor	A 20.0K RK09D113	CH8(EFFECT,MONI1,2)		01

*: New Parts

RANK: Japan only

REF NO.	PART NO.	DESCRIPTION		REMARKS	QTY	RANK
-809	V5521500	Rotary Variable Resistor	A 20.0K RK09D113			01
VR901	VZ611000	Rotary Variable Resistor	C 20K RK12L123	CH9/10(GAIN)		05
VR902	VU806400	Rotary Variable Resistor	B50K EVJYAEF03B54	CH9/10(HIGH,MID,LOW)		03
-904	VU806400	Rotary Variable Resistor	B50K EVJYAEF03B54			03
VR905	VZ610800	Rotary Variable Resistor	AC 20K RK12L123	CH9/10(PAN)		03
VR906	VZ610900	Rotary Variable Resistor	A 20K RK12L12C	CH9/10(EFFECT,MONI1,2)		02
-908	VZ610900	Rotary Variable Resistor	A 20K RK12L12C			02
VR909	VU804200	Slide Variable Resistor	RS60112G6039-10KA2	CH11/12(Fader)		04
VRB01	VZ611000	Rotary Variable Resistor	C 20K RK12L123	CH11/12(GAIN)		05
VRB02	VU806400	Rotary Variable Resistor	B50K EVJYAEF03B54	CH11/12(HIGH,MID,LOW)		03
-04	VU806400	Rotary Variable Resistor	B50K EVJYAEF03B54			03
VRB05	VZ610800	Rotary Variable Resistor	AC 20K RK12L123	CH11/12(PAN)		03
VRB06	VZ610900	Rotary Variable Resistor	A 20K RK12L12C	CH11/12(EFFECT,MONI1,2)		02
-08	VZ610900	Rotary Variable Resistor	A 20K RK12L12C			02
VRB09	VU804200	Slide Variable Resistor	RS60112G6039-10KA2	CH11/12(Fader)		04
VRD01	VZ610900	Rotary Variable Resistor	A 20K RK12L12C	ST SUB1(MONI1,MONI2,ST),		02
-10	VZ610900	Rotary Variable Resistor	A 20K RK12L12C	ST SUB2(MONI1,MONI2,ST), TAPE IN(ST),D.EFFECT(ST, MONI1,MONI2)		02
VRE01	VU804300	Slide Variable Resistor	W 20.0K RS20H12	G,EQ(125,250,500,1K,2K,		03
-07	VU804300	Slide Variable Resistor	W 20.0K RS20H12	4K,8K)		03
VRE08	VU804200	Slide Variable Resistor	RS60112G6039-10KA2	ST1(Fader)		04
VRE09	VZ610900	Rotary Variable Resistor	A 20K RK12L12C	ST2		02
VRG01	VU804100	Slide Variable Resistor	RS6011YG6036-10KA	MONO(Fader)		04
VRG02	VZ531900	Rotary Variable Resistor	RV122NB20KC-15KQ	LIMITER(L/BRIDGE)		03
VRG03	VZ531900	Rotary Variable Resistor	RV122NB20KC-15KQ	LIMITER(R)		03
VRH01	VU804100	Slide Variable Resistor	RS6011YG6036-10KA	MONI1(Fader)		04
VRI01	VU804100	Slide Variable Resistor	RS6011YG6036-10KA	MONI2(Fader)		04
VRJ01	VU804100	Slide Variable Resistor	RS6011YG6036-10KA	EFFECT(Fader)		04
VRK01	VZ610900	Rotary Variable Resistor	A 20K RK12L12C	C-R/PHONES		02
VRM01	V6159700	Rotary Variable Resistor	B 10.0K RK09D113	PARAMETER		01
ZDM01	VG443700	Zener Diode	MTZ J 33.0B 33.0V			01
⚠ *	XZ505A00	Power Transformer	J	J		
⚠ *	XZ506A00	Power Transformer	U	U		
⚠ *	XZ507A00	Power Transformer	H	H		
⚠ *	XZ508A00	Power Transformer	A	A		
*	V6786600	Heat sink				
	V6024100	DC Fun	3110GL-B5W-B50-H01			08

*: New Parts

RANK: Japan only