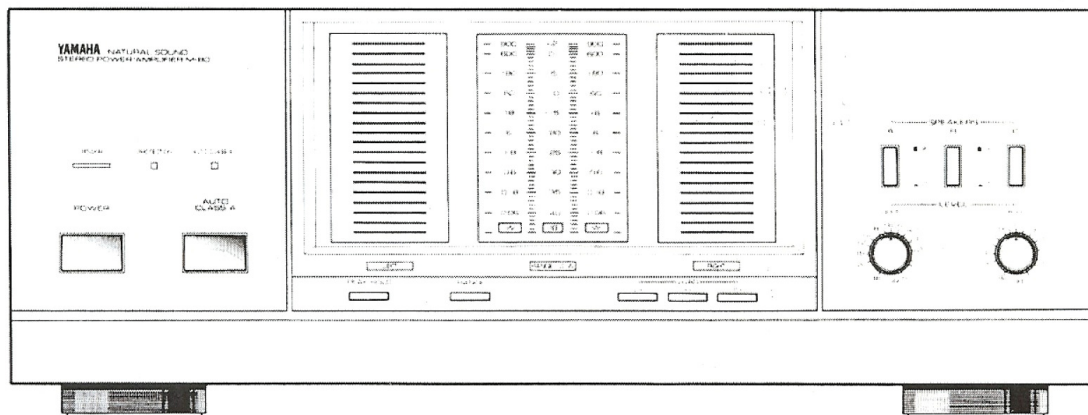


STEREO POWER AMPLIFIER M-80

SERVICE MANUAL



■ TO SERVICE PERSONNEL

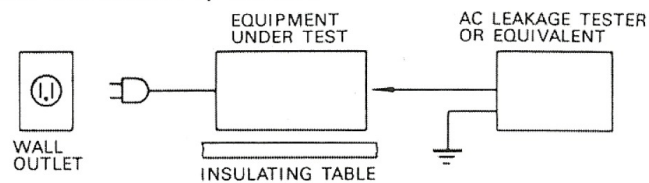
1. Critical Components Information.

Components having special characteristics are marked \triangle and must be replaced with parts having specifications equal to those originally installed.

2. Leakage Current Measurement (For 120V Model Only).

When service has been completed, it is imperative that you verify that all exposed conductive surfaces are properly insulated from supply circuits.

- Meter impedance should be equivalent to 1500 ohm shunted by $0.15 \mu\text{F}$.
- Leakage current must not exceed 0.5mA.
- Be sure to test for leakage with AC plug in both polarities.



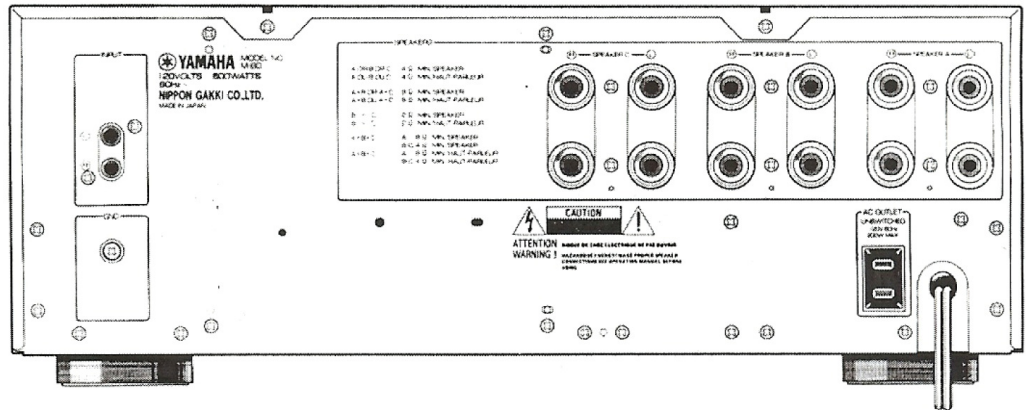
■ CONTENTS

REAR PANEL	1	P.C. BOARD ~ POWER SUPPLY	7
BLOCK DIAGRAM	2	SCHEMATIC DIAGRAM ~ MAIN	8
SPECIFICATIONS	2	SCHEMATIC DIAGRAM ~ METER	9
DISASSEMBLY PROCEDURE	3	WIRING DIAGRAM	9
INTERNAL VIEW	4	PARTS LIST ~ ELECTRIC	10
ADJUSTMENTS	4	EXPLODED VIEW ~ MECHANISM/CHASSIS	14
P.C. BOARD ~ METER	5	PARTS LIST ~ MECHANISM/CHASSIS	16
P.C. BOARD ~ MAIN	6		

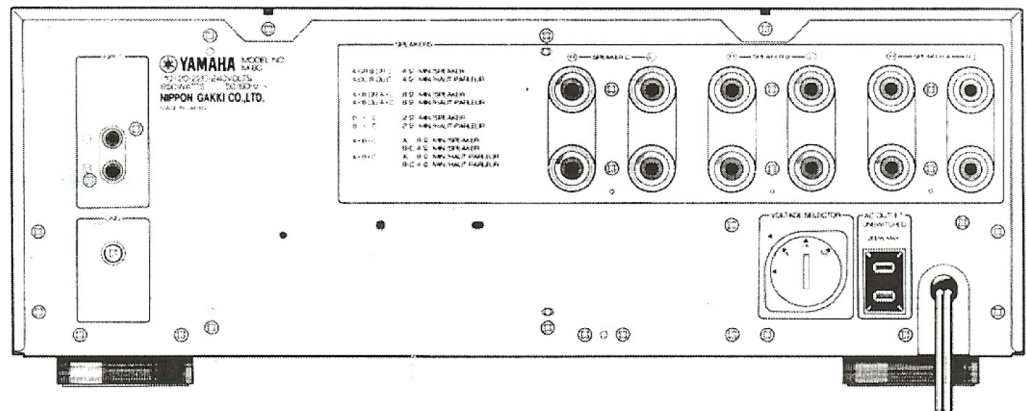


REAR PANEL

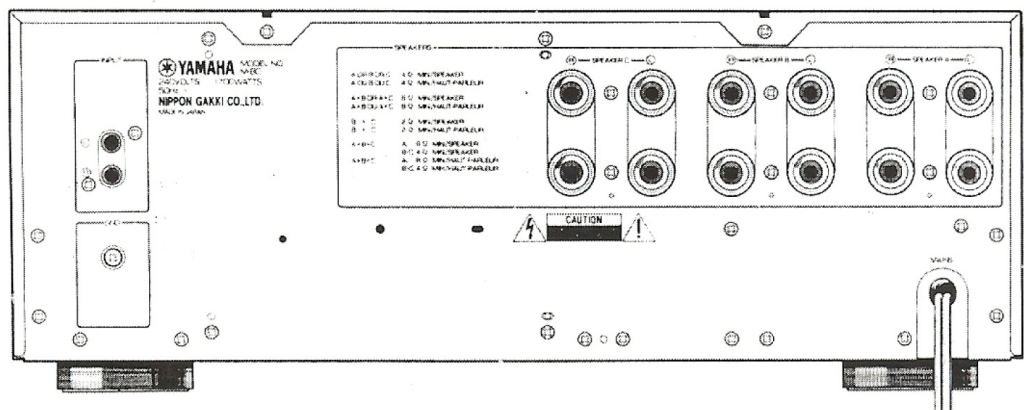
U.S.A. and Canadian Models



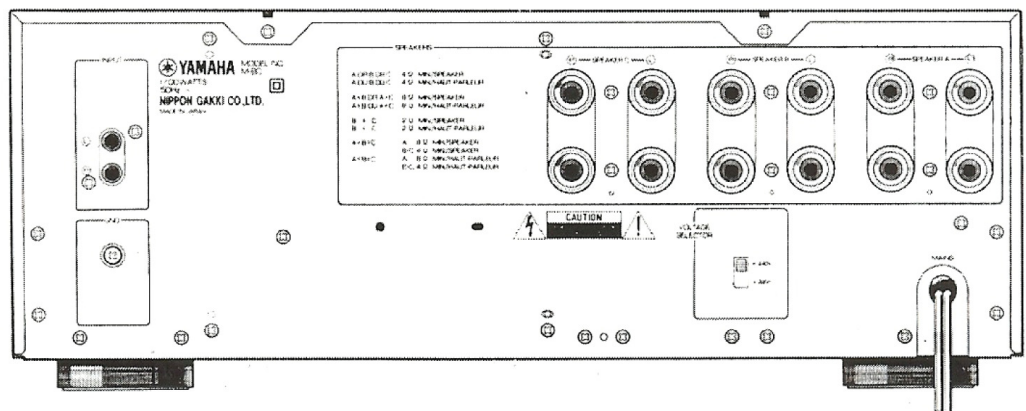
General Model



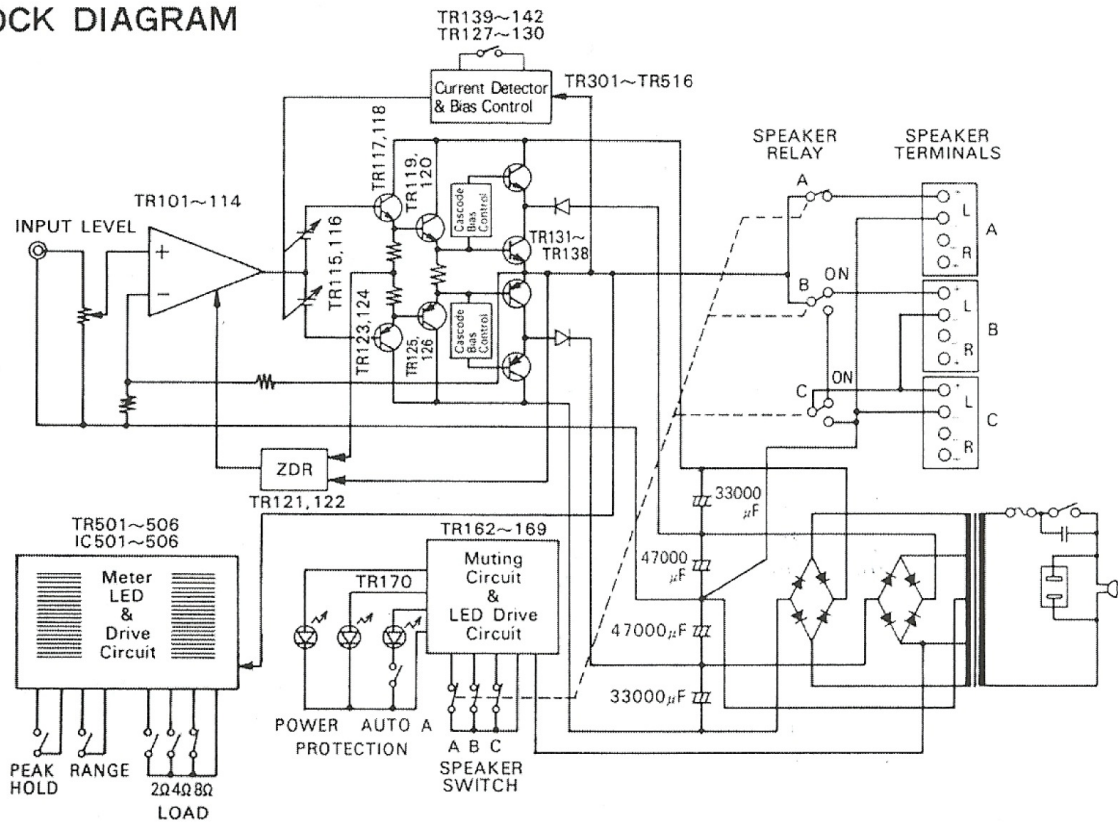
Australian Model



European Model



BLOCK DIAGRAM



SPECIFICATIONS

Continuous Power Per Channel

20Hz~20KHz

(0.003% THD 8Ω).....250W

(class A 30W)

(0.007% THD 6Ω).....290W

(0.02% THD 4Ω).....330W(U.C), 340W(R.A.E)

Dynamic Power

1KHz 8Ω/6Ω/4Ω/2Ω.....380W/480W/640W/850W

DIN Standard Output Power Per Channel

1KHz 1%/10% THD 4Ω.....450W/500W

IEC Power

0.01% 1KHz 8Ω/6Ω/4Ω.....265W/350W/440W

Total Harmonic Distortion

Main in to Sp out 125W/8Ω.....0.002%

Power Band Width

0.03% THD 125W(8Ω).....10Hz~100KHz

Damping Factor

Speaker A 1KHz 8Ω.....250

Input Sensitivity/Impedance

1.55V/20kΩ

Frequency Response

20Hz~20KHz.....+0, -0.1dB

Intermodulation Distortion

8Ω.....0.003%

Signal to Noise Ratio (IHF-A-Network)

(Shorted /5.1kΩ).....127dB/119dB

Residual Noise (IHF-A-Network).....16μV

Channel Separation (Input Shorted)

40Hz.....106dB

1 KHz.....89dB

10KHz.....76dB

Power Supply

AC120V·60Hz(U.C)

AC110/120V, 220/240V·50/60Hz(R)

AC220/240V·50Hz(E)

AC240V·50Hz(A)

Power Consumption

600W(U), 1100W·1300VA(C), 850W(R),

1700W(A.E)

AC Output (R.U.C)

200W max

Dimensions

(W×H×D).....435×165×425mm(7-1/8"×6-1/2"×16-3/4")

Weight

23k (50lbs·10oz)

Specifications subject to change without notice

U : USA Model

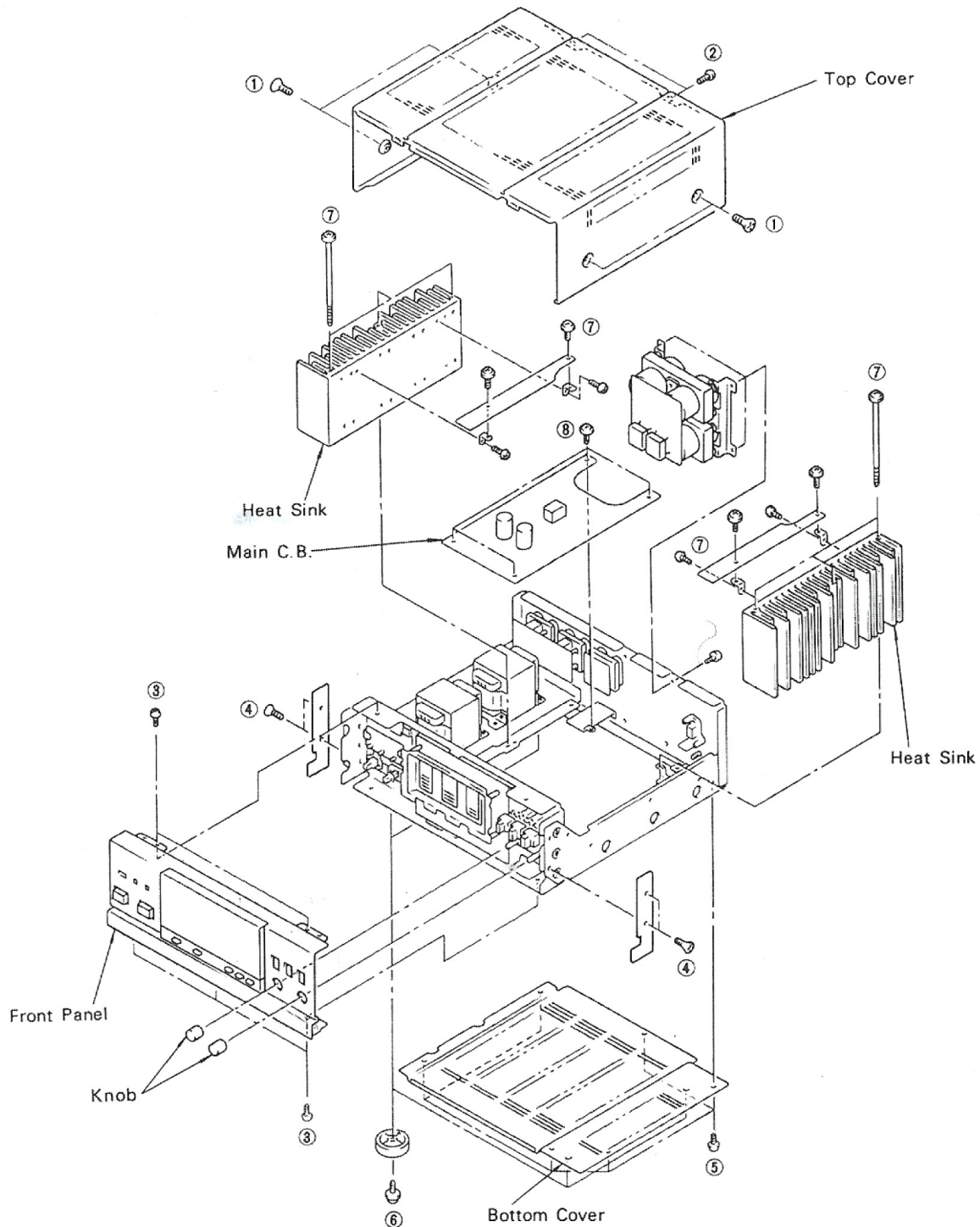
C : Canadian Model

R : General Model

A : Australian Model

E : European Model

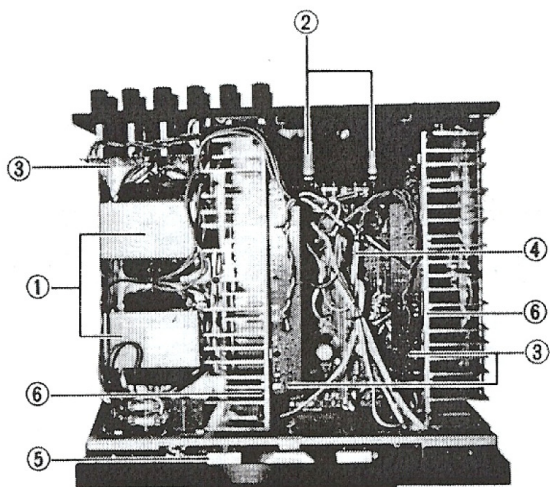
DISASSEMBLY PROCEDURE



Remove parts in the following order.

1. Remove the top cover by removing screws ① (×4) and screws ② (×2).
2. Remove the front panel by removing screws ③ (×5).
3. Remove the bottom cover by removing screws ⑤ (×6) and screws ⑥ (×4).
4. Remove the heat sink by removing screws ⑦ (×6).
5. Remove the main circuit board by removing screws ⑧ (×4).

INTERNAL VIEW



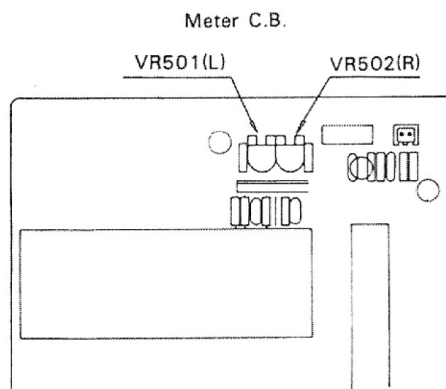
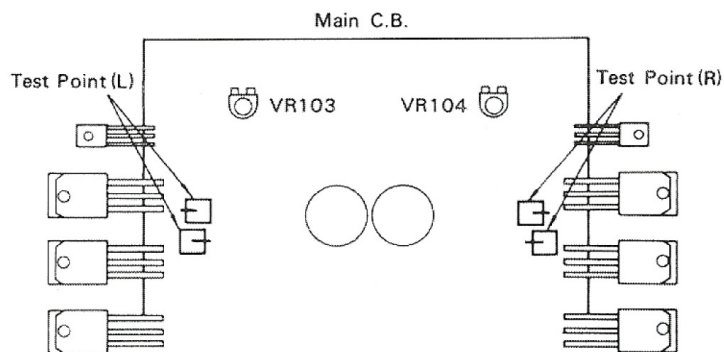
- ① Power Transformer
- ② Electrolytic Cap
- ③ Power Supply P.C.B.
- ④ Main P.C.B.
- ⑤ Meter P.C.B.
- ⑥ Heat Sink

ADJUSTMENTS

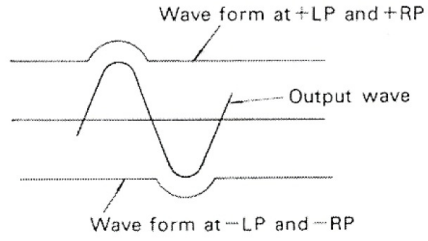
Before Adjustments

- Wait 2 minutes after power-on to stabilize amplifier operation without signal.
- Make sure that the main volume is minimum and set Auto-A switch to OFF.

Step	Adjustments	Location	Test Equipment	Test point	Value
1	Idling adjustment	VR103(L-ch.) VR104(R-ch.)	D.C. V-meter Digital tester	Across emitter resistor(0.22 Ω) of power transistor. R153,R155(L-ch.) R154,R156(R-ch.)	10.0 ± 1mV
2	Auto-A operation confirmation	Check that the voltage at each test point stated above increases when Auto-A switch is turned on.			130 ± 13mV
3	Meter Level adjustment	VR501(L-ch.) VR502(R-ch.)	(1) Set the load level of the meter at 2 Ω position. (2) Adjust VR501 and VR502 so that 0dB of the meter lights up when the output is f=1KHz and V=34.5V with NO LOAD.		



- Confirmation of the voltage switching operation.
Terminals output : $f=1\text{KHz}$ 100W (load is 8Ω).
Check that the wave form at $\pm\text{LP}$ and $\pm\text{RP}$ terminals changes as shown right.



A

B

C

D

PRINTED CIRCUIT BOARD PATTERN SIDE ~ METER CIRCUIT BOARD

1

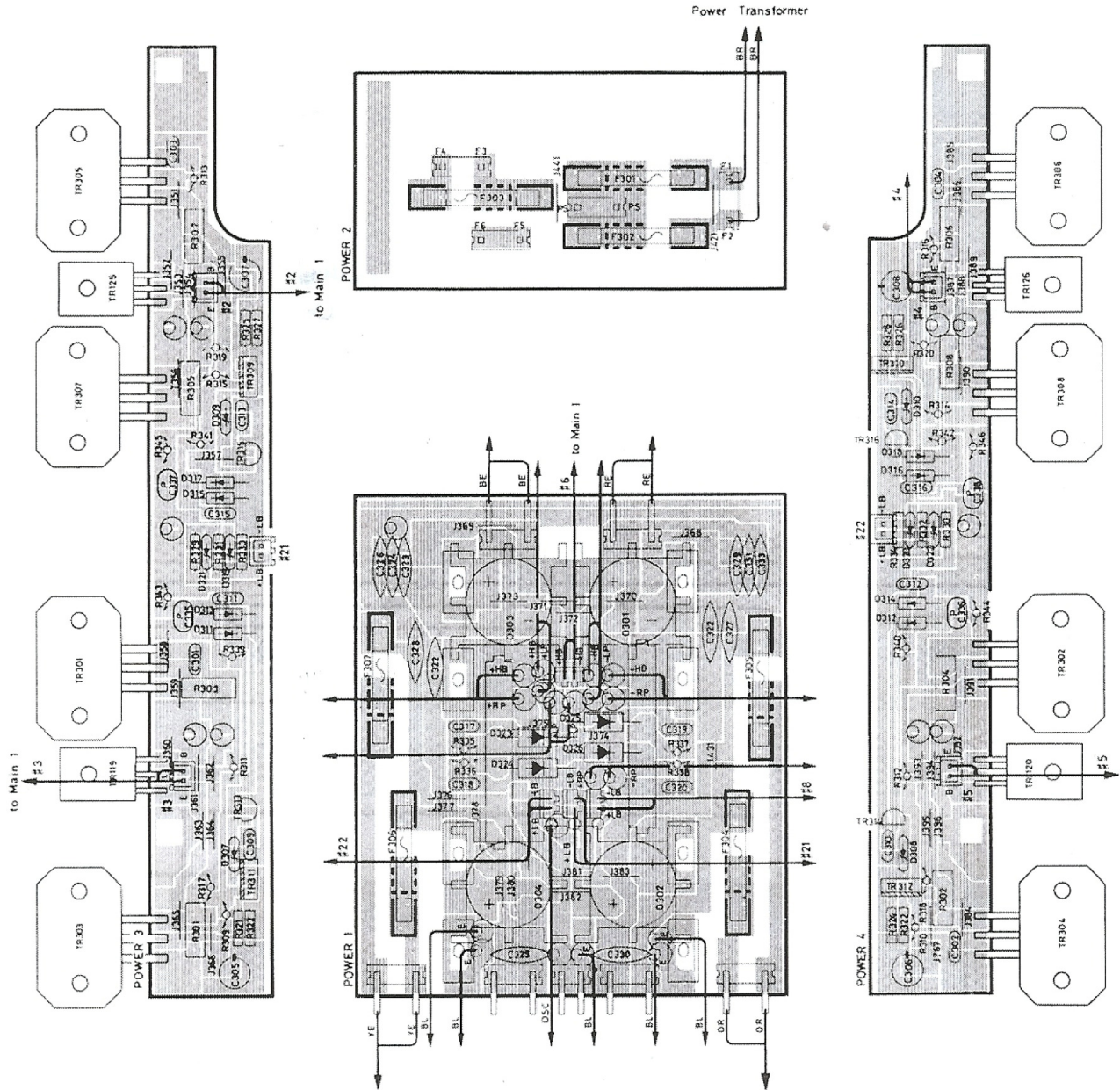
2

3

4

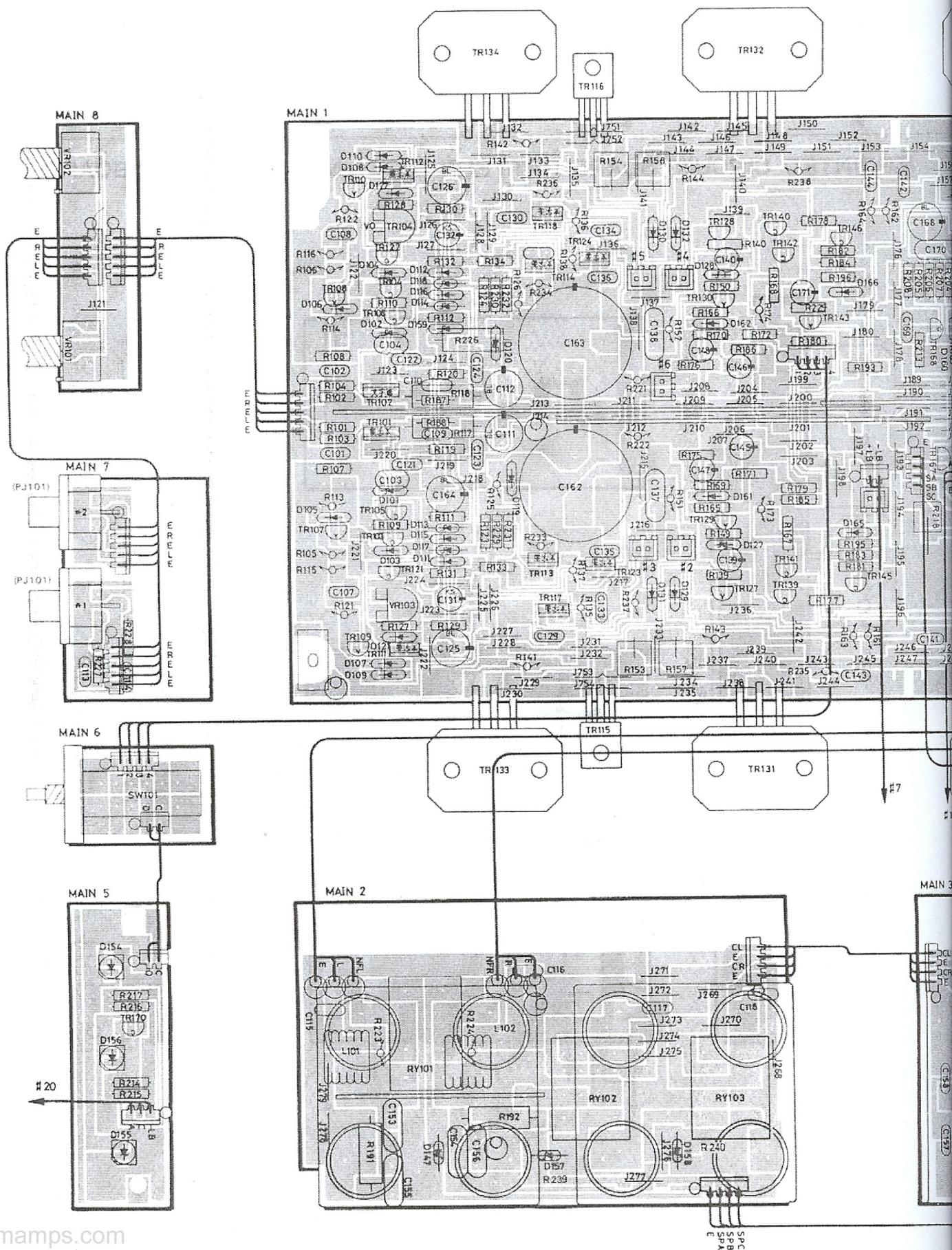
5

6

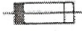


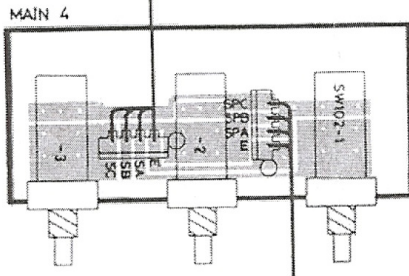
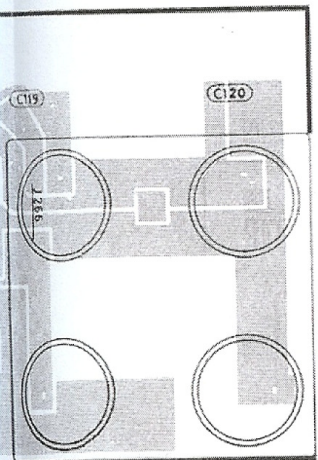
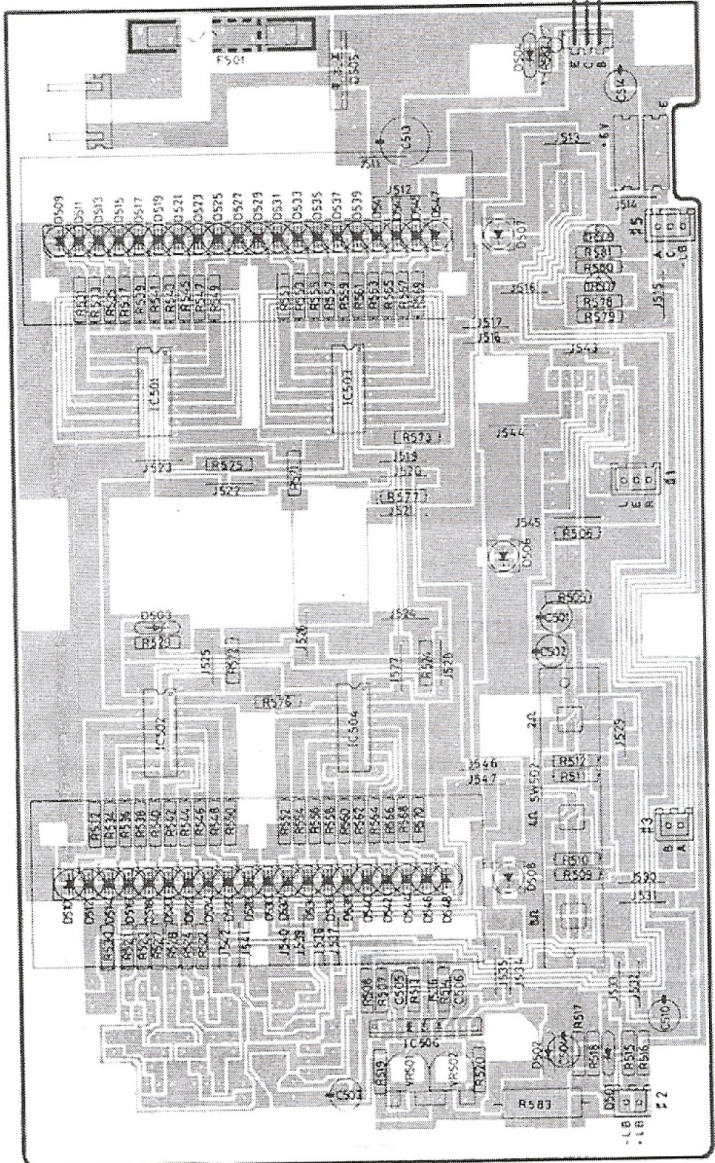
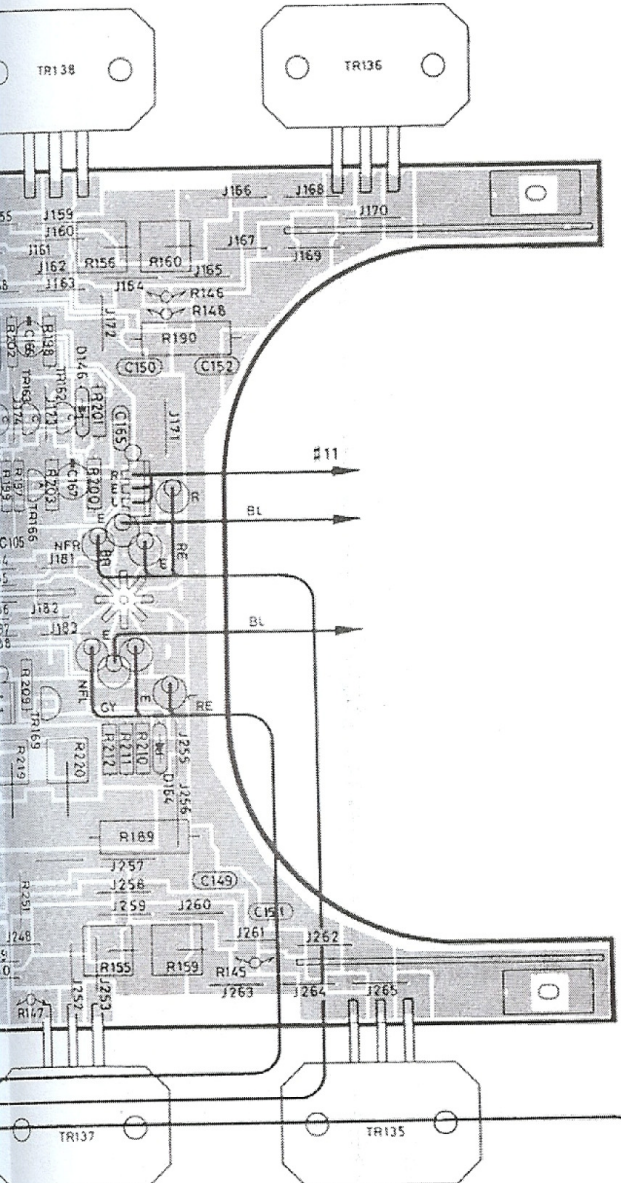
PRINTED CIRCUIT BOARD PATTERN SIDE ~ MAIN CIRCUIT BOARD/METER

1
2
3
4
5
6
6



CIRCUIT BOARD

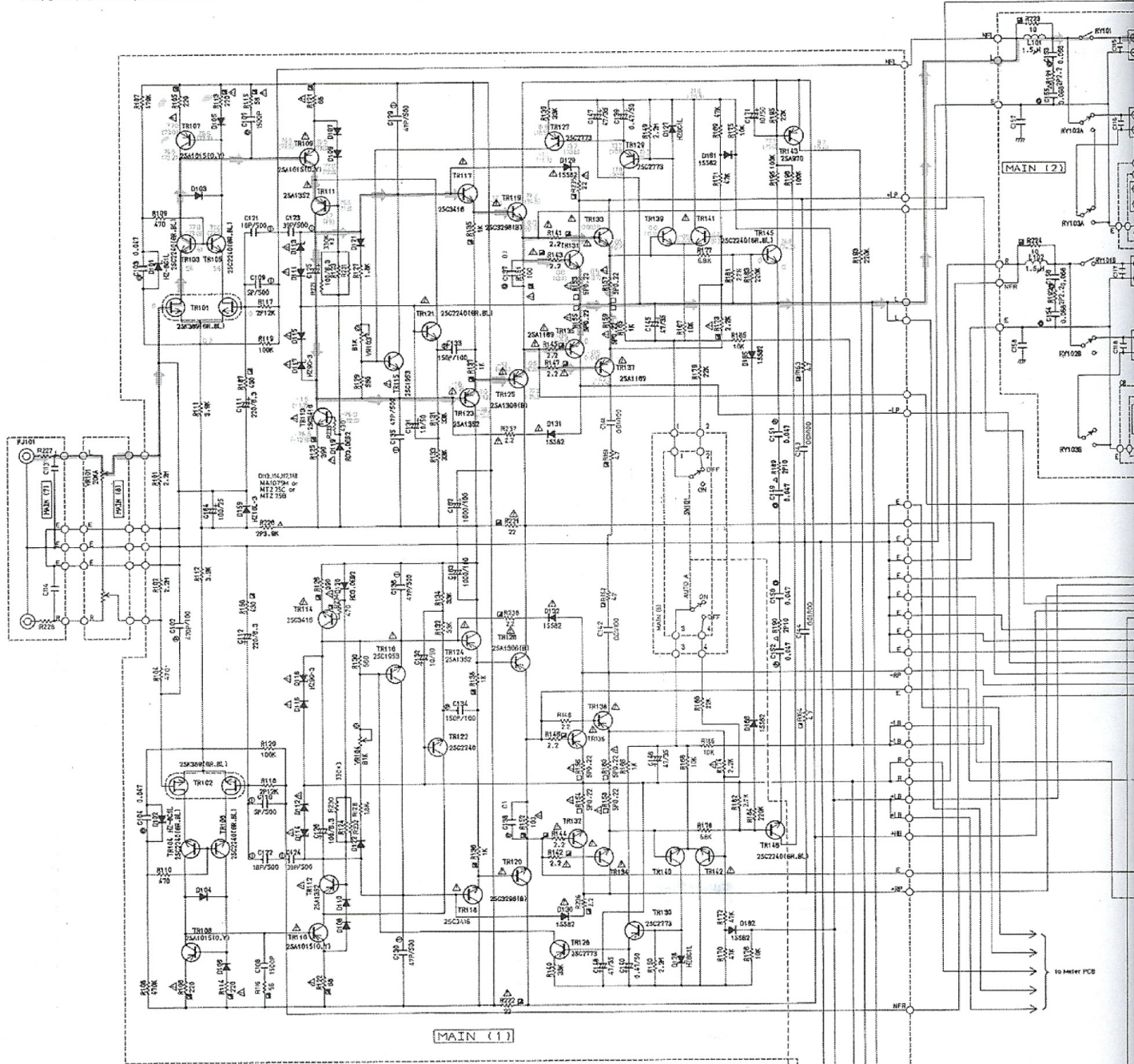
Symbols  on the Meter pcb, indicate FAST OPERATING FUSE. Replace with same type fuse when servicing.



	R,U,A,C	E
※ 1		PJ101
※ 2	RJ101	

■ 総合回路図 (SCHEMATIC DIAGRAM ~ MAIN)

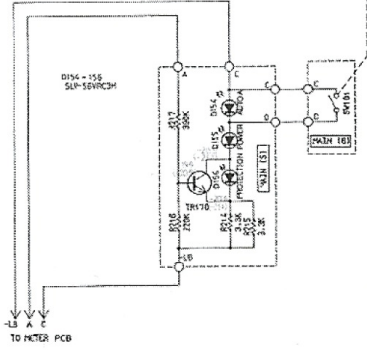
A
B
C



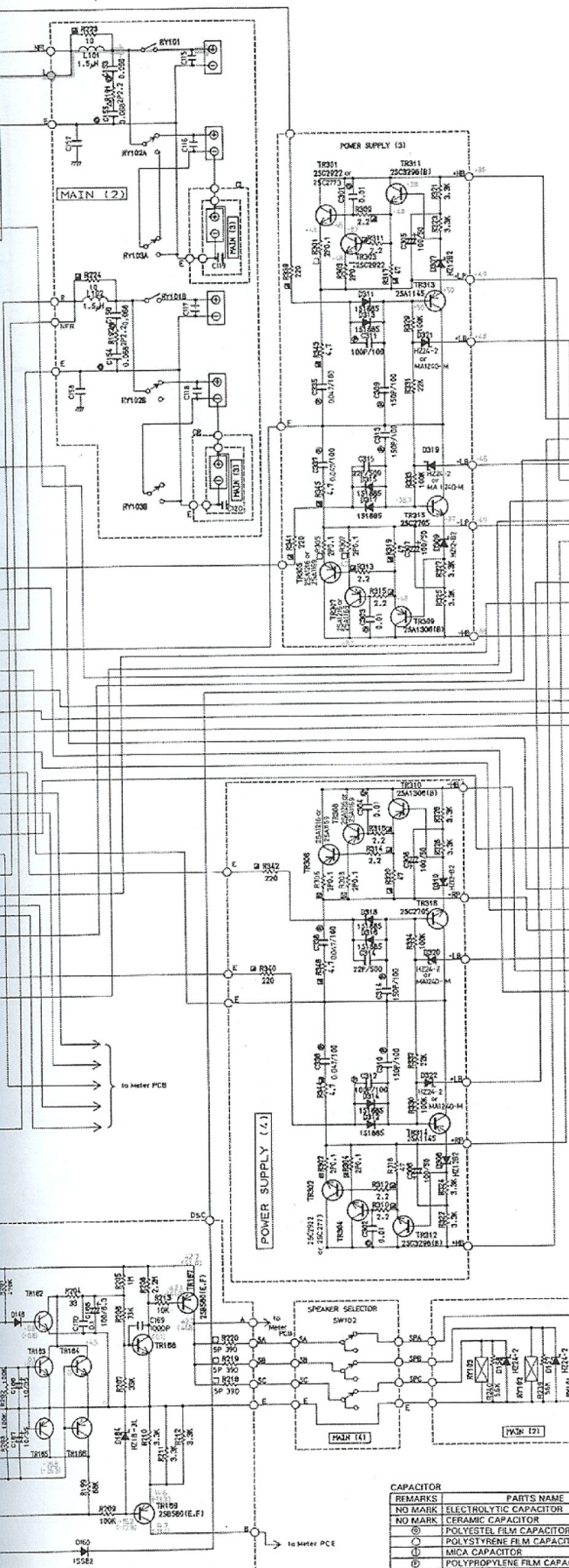
Auto A ON/OFF
SP SW ON/OFF

2SA970 2SA1015 2SA1127 2SB1815 2SC2240 2SC2634	2SC2581 2SA1285 2SC3182	2SA1115 2SC2603	2SA1308 2SC3298 2SD1273
2SA1145 2SC2705	2SB850	2SC1953 2SC3298	2SK389
1S1555 1S1195 1S2473 1S582 HZ-0C11 HZ16-3L HZ24-2 R03 0EB2 ANODE 30DF1 RF42	SLV-31VC5	06FB20	

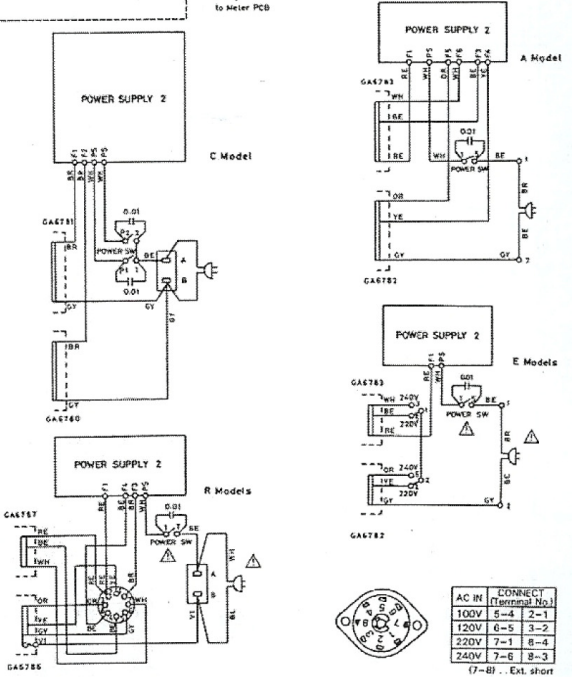
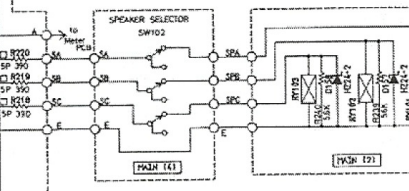
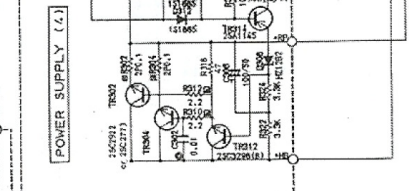
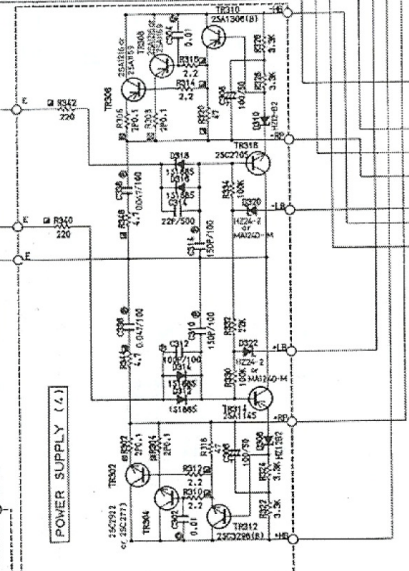
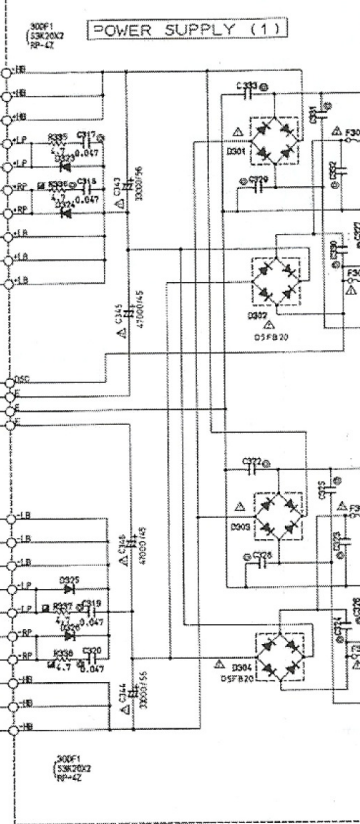
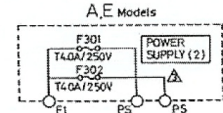
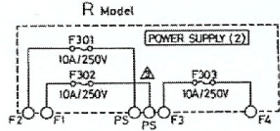
CATHODE



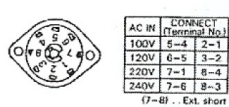
- WARNING
- Components having special characteristics are Marked Δ and must be replaced with parts having specifications equal to those originally installed.
 - All voltage are measured with a 10M Ω /V DC electric volt meter.
 - Schematic diagram is subject to change without notice.



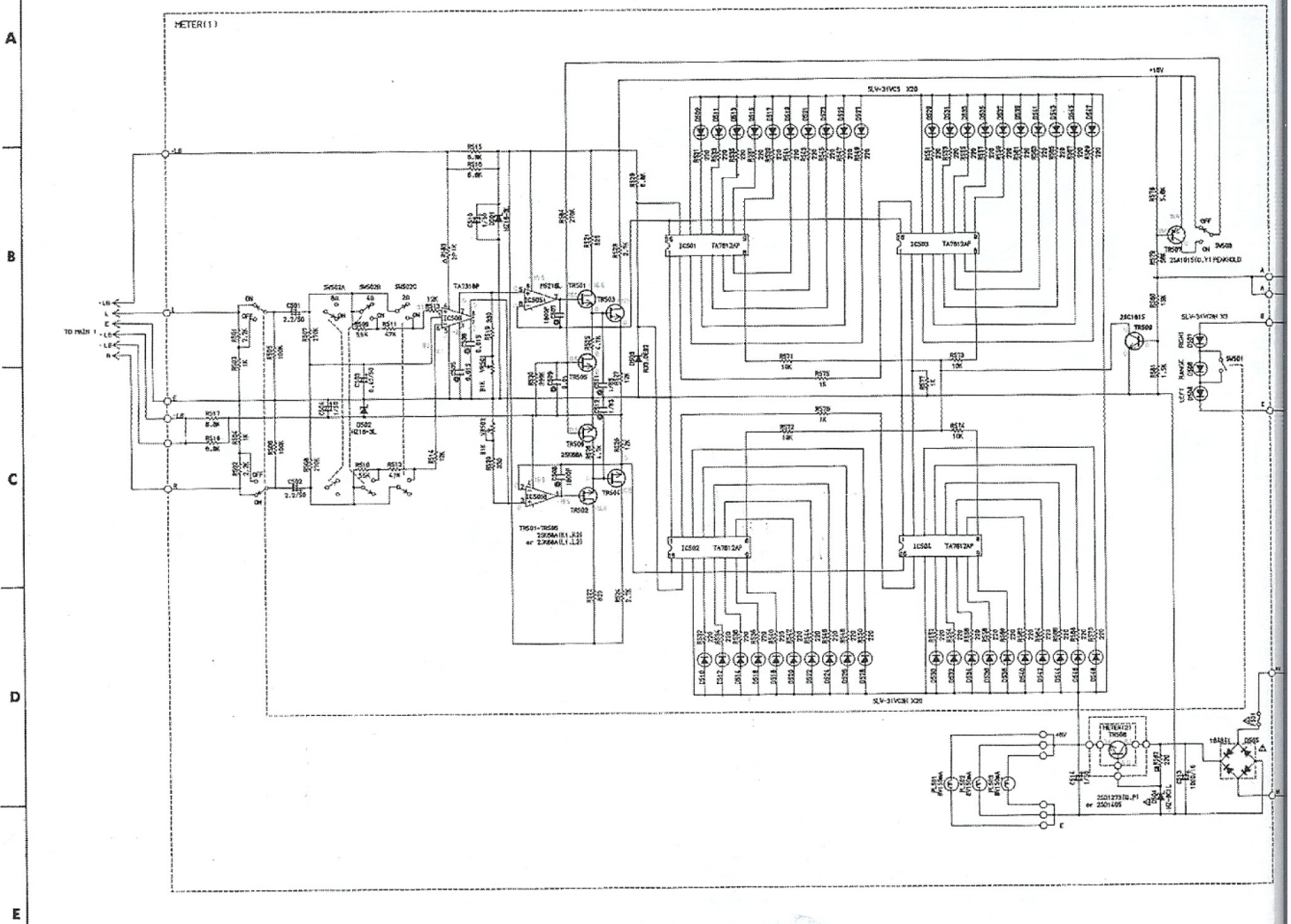
	U	G	R	A	E
C302-304	DSFB20	DSFB20	DSFB20	DSFB20	DSFB20
F301-302	404841	DSFB20	404841	DSFB20	DSFB20
C324-325	0.047/200	0.047/200	0.047/200	0.047/200	0.047/200
C330-331	0.047/400	0.047/400	0.047/400	0.047/400	0.047/400
C322-323				0.047/400	
C326-327				0.047/400	
C332-333				0.047/400	
C315-316				170000000	
C157-158				0.01/100	
D222-223				5/0	
C113-114				3900/100	
F304-307				16 3A 250V	
⊙	SHORT	OPEN	OPEN	OPEN	OPEN



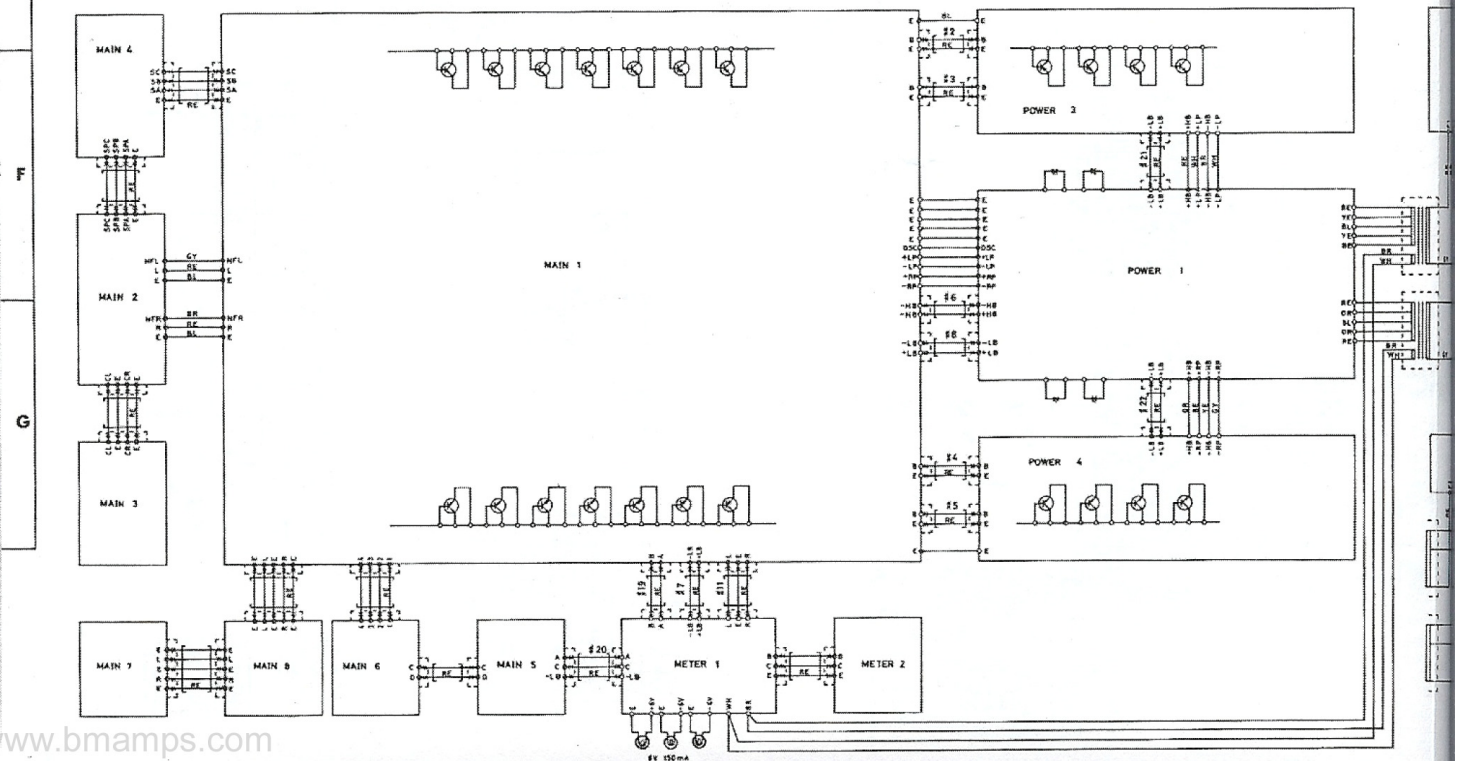
REMARKS	PARTS NAME
NO MARK	ELECTROLYTIC CAPACITOR
NO MARK	CERAMIC CAPACITOR
⊙	POLYESTER FILM CAPACITOR
⊙	POLYSTYRENE FILM CAPACITOR
⊙	MICA CAPACITOR
⊙	POLYPROPYLENE FILM CAPACITOR
REMARKS	PARTS NAME
NO MARK	CARBON FILM RESISTOR
⊙	METAL OXIDE FILM RESISTOR
⊙	METAL FILM RESISTOR
⊙	METAL PLATE RESISTOR
⊙	FIRE PROOF CARBON FILM RESISTOR
⊙	SEMI VARIABLE RESISTOR

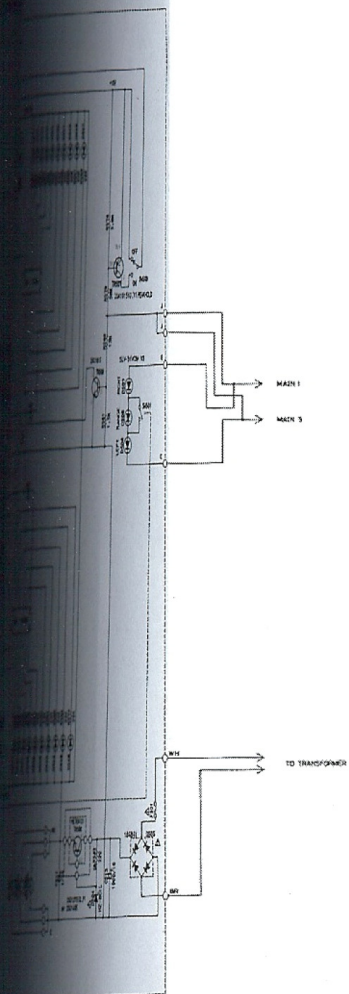


■総合回路図(SCHEMATIC DIAGRAM~METER)




■結線図(WIRING DIAGRAM)



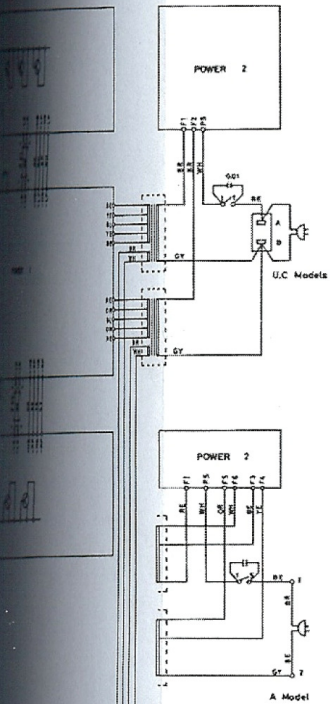


	F.U.C	A.E
FSR1	2.0A250V	12.5A250V

Symbols  on the Meter pcb. indicate FAST OPERATING FUSE. Replace with same type fuse when servicing.

WIRE COLOR ABBREVIATIONS

- RE : RED
- WH : WHITE
- BE : BLUE
- BR : BROWN
- BL : BLACK
- YE : YELLOW
- OR : ORANGE
- GY : GRAY
- GE : GREEN
- VI : VIOLET



■ WARNING

Components having special characteristics are marked Δ and must be replaced with parts having specifications equal to those originally installed.

● Carbon resistors of this amplifier are 1/4W.
There is no description about them in this parts list.
Use the "Part No." HJ35○○○○ or equivalent.

■ PARTS LIST~ELECTRCITY

Ref. No.	Part No.	Description	部 品 名	Remarks	Common Model	Markets	ランク
※	NA 08 46 10	Main Circuit Board	メ イン シ ー ト			U,R,A,C	
※	NA 08 49 50	"	"			E	
	UT 45 41 00	Polipropylene Film Cap	ポ リ プ ロ コ ン	C157,158		E	
	FC 36 31 00	Mylar Cap	マ イ ラ ー コ ン	C169			
	FC 36 31 50	"	"	C107,108			
	FC 36 44 70	"	"	C149~152,165			
	FA 15 46 80	"	"	C153~156			
	UT 45 23 90	Polipropylene Film Cap	ポ リ プ ロ コ ン	C113,114		E	
※	UT 45 21 50	"	"	C133,134			
	UT 45 24 70	"	"	C101,102			
	UT 45 41 00	"	"	C141~144			
	UT 46 32 70	"	"	C115~120		E	
	FU 35 05 00	FE Mica Cap	F E マ イ カ コ ン	C109,110			
	FU 35 14 70	"	"	C129,130,135,136			
	FU 35 11 80	"	"	C121,122			
	FU 35 13 90	"	"	C123,124			
	UA 25 52 20	Mylar Capacitor	マ イ ラ ー コ ン	C105			
	FZ 00 54 10	Electrolytic Cap	ケ ミ コ ン	C125,126,168			
※	FZ 00 61 30	"	"	C111,112			
※	FZ 00 61 40	"	"	C164			
	FZ 00 55 80	Mylar Cap	銅 リ ー ド マ イ ラ ー コ ン	C103,104			
	FZ 00 49 40	"	"	C137,138,170			
	UW 96 71 00	Electrolytic Cap	ケ ミ コ ン	C171			
	UW 95 71 00	"	"	C166,167			
	UW 95 74 70	"	"	C145~148			
	UW 96 54 70	"	"	C139,140			
	UM 07 71 00	"	"	C131,132			
※	FZ 00 59 70	"	"	C162,163			
	GD 90 03 70	Coil	コ イ ル	L101,102			
	HL 32 71 20	Metal Oxide Resistor	酸 金 抵 抗	R117,118			
	HL 32 32 20	"	"	R191,192			
	HL 32 41 00	"	"	R189,190			
※	HL 32 63 90	"	"	R226			
	HU 57 54 30	Metal Film Resistor	金 属 被 膜 抵 抗	R187,188			
	HM 55 53 90	Cement Moulded Resistor	セ メ ン ト テ イ コ ウ	R218~220			
	HZ 00 44 70	"	"	R153~160			Δ
	HV 45 62 70	Flame Proof Resistor	不 燃 化 カ ー ボ ン	R181,182			
	HV 45 32 20	"	"	R141~148,235~238			Δ
	HV 45 34 70	"	"	R161~164			
	HV 45 41 00	"	"	R223,224			
	HV 45 42 20	"	"	R221,222			Δ
	HV 45 45 60	"	"	R115,116			
	HV 45 46 80	"	"	R121,122			Δ
	HV 45 51 00	"	"	R151,152			
	HV 45 52 20	"	"	R105,106,113,114			Δ
	HV 45 53 30	"	"	R125,126			
	HV 45 54 70	"	"	R233,234			
	HV 45 61 00	"	"	R135~138			
	HV 45 62 20	"	"	R173,174			Δ
	HV 45 66 80	"	"	R177,178			

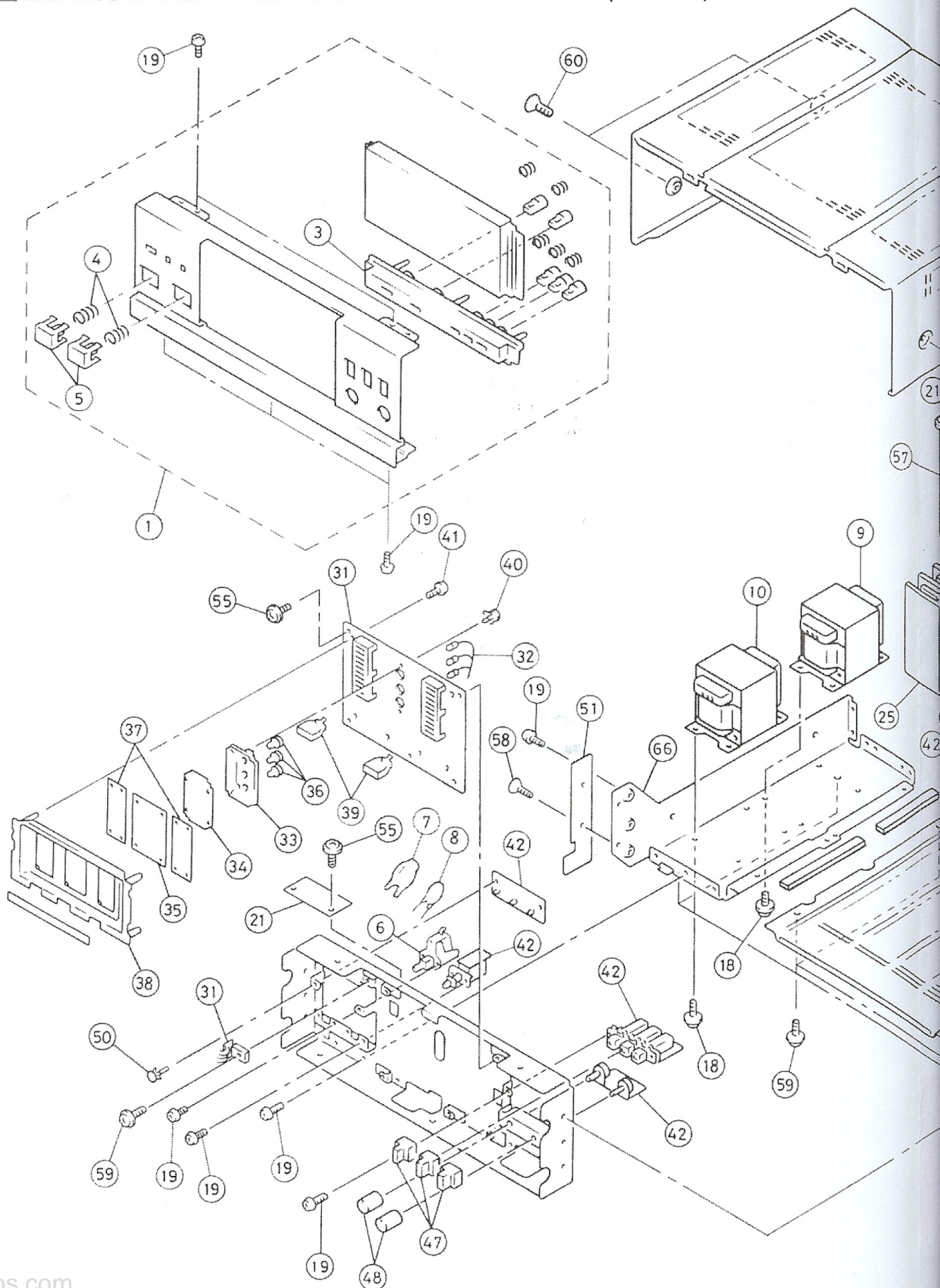
Ref. No.	Part No.	Description	部 品 名	Remarks	Common Model	Markets	ランク
※	HS 41 23 50	VR	20KA	V R 16 型	VR101,102		
	HT 37 00 10	Semi Variable Resistor	B1kΩ EVN-52J	半 固 定 V R	VR103,104	} Interchangeable	
	HT 77 00 30	"	B1kΩ KVSF8-7PNFX	"	"		
	iA 09 70 00	Transistor	2SA970 GR,BL	ト ラ ン ジ ス タ	TR143		
	iA 10 15 70	"	2SA1015 φ.Y	"	TR107~110	} Interchangeable	△
	iA 11 15 10	"	2SA1115 E,F	"	TR127~130, 165,166		
	iA 11 27 00	"	2SA1127 R,S,T	"	"		
	iA 13 52 00	"	2SA1352	"	TR111,112,123,124		△
	iB 05 60 00	"	2SA560 E,F	"	TR167,169		
	iC 22 40 00	"	2SC2240 GR,BL	"	TR103~106,121, 122,145,146	} Interchangeable	△
	iC 26 03 10	"	2SC2603 E,F	"	TR139~142, 162~164,168,170		
	iC 26 34 00	"	2SC2634 R,S,T	"	"		△
※	iC 34 16 00	"	2SC3416	"	TR113,114,117,118		△
	iE 10 45 00	Dual FET	2SK389 GR,BL	デュアル F E T	TR101,102		
	iF 00 00 40	Diode	1S1555	ダ イ オ ー ド	D103~112,115, 116,121,122,146	} Interchangeable	
	iF 00 06 70	"	1S2473	"	"		
	iF 00 14 00	"	1SS82	"	D129~132,161, 162,165,166,160		
	iF 00 15 10	Zener Diode	HZ-6C1L	ツェナーダイオード	D101,102,127,128		
	iF 00 18 40	"	RD3,0EB2	"	D119,120		△
	iF 00 20 80	"	HZ16-3L	"	D159,164		
	iF 00 19 40	"	HZ24-2	"	D147,157,158		
	iF 00 44 40	LED (Red)	SLV-56URC3H	L E D (赤)フック付き	D154~156		
	iF 00 64 70	Zener Diode	MTZ7.5B	ツェナーダイオード	D113,114,117,118	} ② ① Interchangeable	
	iF 00 68 20	"	MA1075-M	"	"		
※	iF 00 80 30	"	MTZ75C	"	"	} ①	
					"		
	KA 80 40 70	Push Switch	NS4-2	ブ ッ シ ュ S W	SW101		
※	KA 80 46 60	"	SUN2-2 3連	"	SW102		
※	KC 00 14 10	Relay	DC24V JC2a	リレー(マグネット付き)	RY101		
※	KC 00 19 20	"	DC24V MS4U	"	RY102,103		
	LB 20 19 50	Pin Jack 2P	金メッキ	2 P ピ ン ジャ ッ ク	PJ101		
	BB 07 04 10	Bus BAR	L=55				
	BB 07 04 20	"	L=100				
	BB 07 04 30	"	L=145				
	BB 06 83 70	Earth Metal					
※	LA 00 53 20	SP Terminal		S P タ ー ミ ナ ル			
※	LA 00 53 40	"	4P	"		R,U,A,C	
※	LA 00 53 70	"	4P	"		E	
※	NA 08 44 90	Meter Circuit Board		メ ー タ ー シ ー ト		U,R,C	
※	NA 08 45 00	"		"		A,E	
	UA 25 31 80	Mylar Cap	1800P 50V	マ イ ラ ー コ ン	C507,508		
	UA 25 41 00	"	0.01μ50V	"	C509		

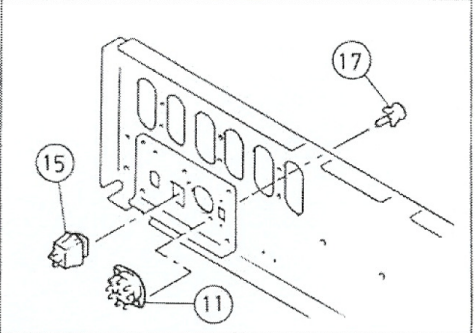
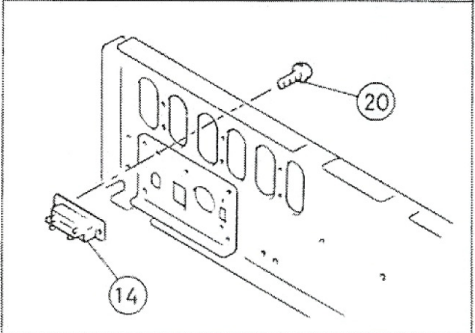
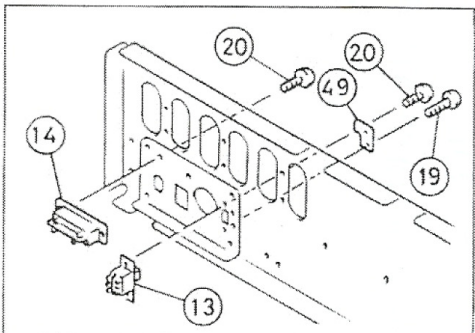
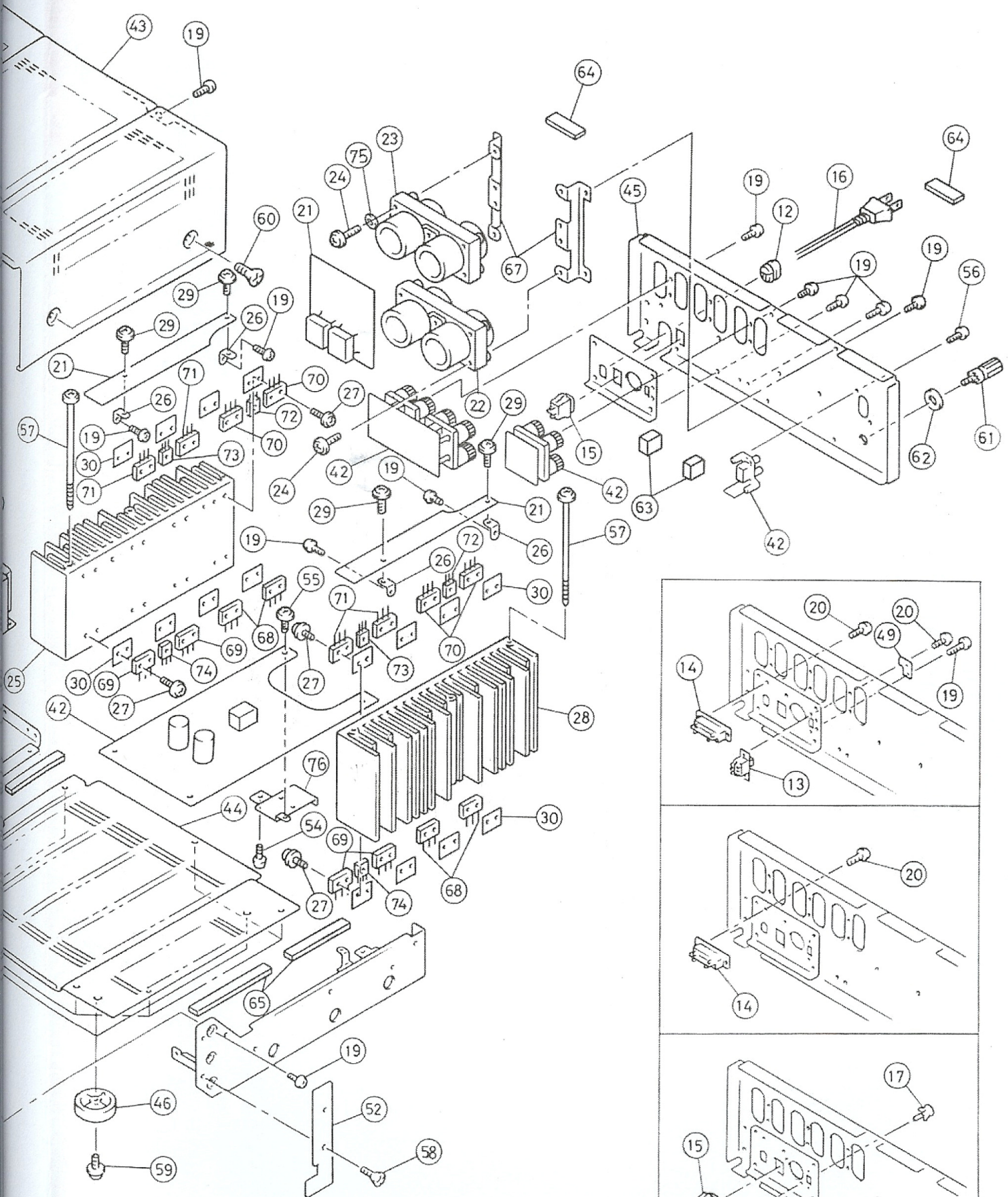
Ref. No.	Part No.	Description	部 品 名	Remarks	Common Model	Markets	ランク
	UA 25 41 50	Mylar Cap	0.015 μ 50V	マイラーコン	C505,506		
	UA 75 61 00	"	1 μ 63V	"	C5511,512		
	UJ 13 91 00	Electrolytic Cap	1000 μ F 16V	ケミコン	C513		
	UW 96 54 70	"	0.47 μ F 50V	"	C503		
	UW 96 61 00	"	1 μ F 50V	"	C504,510,514		
	UW 96 62 20	"	2.2 μ F 50V	"	C501,502		
	HL 32 61 00	Metal Oxide Resistor	1k Ω 2P	酸金抵抗	R583		
	HT 37 00 10	Semi Variable Resistor	B1K	半固定VR	VR501,502	} Interchangeable	
	HT 77 00 30	"	"	"	"		
	HV 35 52 20	Flame Proof Resistor		不燃化カーボン抵抗	R582		
	iA 10 15 70	Transistor	2SA1015 ϕ .Y	トランジスタ	TR507		
	iC 18 15 00	"	2SC1815	"	TR509		
	iD 12 73 00	"	2SD1405 Q,P	"	TR508	} Interchangeable	
*	iD 14 05 00	"	2SD1405	"	"		
	iE 10 05 00	FET	2SK68A	F E T	TR501,502,505,506		
	iE 10 05 10	"	2SK68A K1,K2	"	TR503,504	} Interchangeable	
	iE 10 05 20	"	2SK68A L1,L2	"	"		
	iF 00 15 10	Zener Diode	HZ-6C1L	ツェナーダイオード	D504		△
	iF 00 18 40	"	RD3,0EB2	"	D503		
	iF 00 20 80	"	HZ16-3L	"	D501,502		
*	iF 00 77 10	LED	SLV-31VC5	L E D	D509~548		
*	iF 00 81 70	"	SLV-31VC3H	"	D506~508		
	iG 03 06 00	IC	TA7612AP	I C	IC501~504		
	iG 03 07 00	"	TA7318P	"	IC506		
	iG 05 82 00	"	M5218L	"	IC505		
	iH 00 08 10	Diode Bridge	1B4B41	ダイオードブリッジ	D505		△
*	KA 80 45 10	Push Switch	SF1201-4	ブッシュSW 4-2	SW501		
*	KA 80 45 20	"	SF1202-03	ブッシュSW	SW502		
*	KA 80 45 30	"	SF1201-2	ブッシュSW 2-2	SW503		
	KB 00 07 50	Fuse	T2.0A 250V	ヒューズ	F501	A,E	△
	KB 00 10 30	"	2.0A 250V	"	"	U,C,R	△
	LB 20 18 80	Fuse Holder Pin		ヒューズホルダーピン			
*	CB 63 05 40	LED Reflector		LEDリフレクター			
*	NA 08 45 80	Power Circuit Board		電源シート		E	
*	NA 08 45 70	"		"		U	
*	NA 08 45 90	"		"		R	
*	NA 08 46 00	"		"		A	
*	NA 08 48 80	"		"		C	

Ref. No.	Part No.	Description	部 品 名	Remarks	Common Model	Markets	ランク
	FC 36 41 00	Mylar Cap	0.01 μ 50V	マイラーコン	C301~304		
	FC 36 44 70	"	0.047 μ 50V	"	C317~320		
	FU 35 12 20	FE Mica Cap	22P 500V	F E マイカコン	C315,316		
	FZ 00 06 70	MM Ceramic Cap	0.047 μ 400V	M M コ ン	C324,325,330,331	R,U,A,C	
	FZ 00 06 70	"	"	"	C322,323,326~329,332,333	E	
	UT 45 21 00	Polipropylene Film Cap	100P 100V(J)	ポリプロコン	C311,312		
※	UT 45 21 50	"	150P 100V(J)	"	C309,310,313,314		
	UT 45 44 70	"	0.047 μ 100V(J)	"	C335~338		
	UJ 16 81 00	Electrolytic Cap	100 μ F 50V	ケ ミ コ ン	C305~308		
	HV 45 32 20	Frame Proof Resister	2.2 Ω	不燃化カーボン抵抗	R309~316		
	HV 45 34 70	"	4.7 Ω	"	R335~338,343~346		
	HV 45 44 70	"	47 Ω	"	R317~320		
	HV 45 52 20	"	220 Ω	"	R339~342		
	HZ 00 38 30	Metal Plate Resister	0.1 Ω 2P	金 属 板 抵 抗	R301~308		
	iA 11 45 00	Transister	2SA1145 ϕ ,Y	ト ラ ン ジ ス タ	TR313,314		
	iC 27 05 00	"	2SC2705 ϕ ,Y	"	TR315,316		
※	iA 13 06 50	"	2SA1306B	"	TR309,310		
※	iC 32 98 50	"	2SC3298B	"	TR311,312		
	iH 00 02 40	Diode	1S1885	ダ イ オ ー ド	D311~318		
	iF 00 72 10	Zener Diode	MA1240-M	ツェナーダイオード	D319~322	} Interchangeable	
	iF 00 19 40	"	HZ24-2	"	"		
	iF 00 23 50	"	HZ12-B2	"	D307,308,309,310		
	iH 00 09 60	Diode	30DF1	ダ イ オ ー ド	D323~326	} Interchangeable	
	iH 00 13 50	"	S3K20	"	"		
	iH 00 13 60	"	RP4Z(LF-J4)	"	"		
	iH 00 11 30	Diode Bridge	D5FB20	ダイオードブリッジ	D302,304		
	iH 00 11 30	"	"	"	D301,303	E,C	△
	iH 00 08 70	"	4D4B41	"	"	R,U,A	△
	KB 00 13 90	Fuse	250V 10A	ヒ ュ ー ズ	F301,302	R,U,C	△
	KB 00 07 90	"	250V T4.0A	"	"	A,E	△
	KB 00 14 90	"	250V 10A	"	F303	R	△
	KB 00 17 60	"	250V T6.3A	"	F304~307	E	△
	KB 00 15 20	"	125V 7A	"	"	U,C	△
	LB 20 18 80	Fuse Holder Pin		ヒューズホルダーピン			
	BB 07 04 40	Bus Bar		バ ス バ ー			

EXPLODE VIEW ~ MECHANISM CHASSIS UNIT (All over)

1
2
3
4
5
6





PARTS LIST~MECHANISM CHASSIS UNIT(All over)

Ref. No.	Part No.	Description	部 品 名	Remarks	Common Model	Markets	ランク
※	1	NB 62.04 80	Panel Unit				
				パネルユニット			
※	3	NB 62.03 80	Sub Panel				
				サブパネル			
※	4	AA 62.20 80	Spring				
				スプリング			
※	5	CB 63.03 50	Push Button				
				プッシュボタン			
※	6	KA 80.25 50	Push Switch				R,U,A,E
				プッシュスイッチ			
※	"	KA 80.47 60	"				C
				"			
※	7	CB 09.52 60	Cover	SB-0833			
				コンデンサカバー	丸形		
※	8	Fi 38.41 00	Ceramic Cap	VA-1 0.01			
				セラコン			
※	9	GA 67.78 20	Power Transformer				U
				電源トランス			
※	"	GA 67.80 20	"				C
				"			
※	"	GA 67.82 10	"				A,E
				"			
※	"	GA 67.86 20	"				R
				"			
※	10	GA 67.79 20	"				U
				"			
※	"	GA 67.81 20	"				C
				"			
※	"	GA 67.83 10	"				A,E
				"			
※	"	GA 67.87 20	"				R
				"			
※	11	LB 20.14 80	Voltage Selector				
				電圧切換器			
※	12	CB 07.27 50	Cord Stopper	SR-4N-4			U,E,C
				コードストッパー			
※	"	CB 62.01 90	"	CM-22B			R,A
				"			
※	13	KA 40.13 30	Slide Switch	SS-12			E
				スライドスイッチ	Voltage Selector		
※	14	LA 00.29 50	2P Relay Terminal	MA0092A			A,E
				2P中継端子台			
※	15	LB 20.18 10	AC Outlet	S-i6498			R,U,C
				ACアウトレット	単連		
※	16	MG 00.09 10	Power Cord	2m 6A 250V			E
				電源コード			
※	"	MG 00.09 20	"	2.5m 7.5A 250V			A
				"	Inter changeable		
※	"	MG 00.14 90	"	"			A
				"			
※	"	MG 00.13 60	"	2m 13A 125V			U,C
				"			
※	"	MG 00.16 30	"	2m 6A 250V			R
				"			
※	17	CB 06.88 80	Plastic Rivet				R
				プラスチックリベット			
※	18	AA 60.38 50	Fixing Screw				
				段付きネジ			
※	19	ED 33.00 86	Binding Head Screw	3×8 FCM3-B ϕ			Bタイト
				鉄ボンディングネジ			
※	20	ED 33.00 66	"	3×6 FCM3-B ϕ			A,E
				鉄バインド小ネジ			
※	21	NA 08.45 70	Power Circuit Board				U
				電源シート			
※	"	NA 08.45 80	"				E
				"			
※	"	NA 08.45 90	"				R
				"			
※	"	NA 08.46 00	"				A
				"			
※	"	NA 08.48 80	"				C
				"			
※	22	FZ 00.60 10	Electrolytic Cap Set	47000 μ F/45V			C345,346
				ケミコンセット			
※	23	FZ 00.60 20	"	33000 μ F/56V			C343,344
				"			
※	24	Ei 33.02 06	Binding Head Screw	3×20 FCM3-B ϕ			Bタイト
				バインドタッピングネジ			
※	25	BA 09.02 40	Heat Sink				A,E,R
				放熱板	Left		
※	28	BA 09.00 40	"				A,E,R
				"	Right		
※	25	BA 09.05 80	"				U,C
				"	Left		
※	28	BA 09.05 90	"				U,C
				"	Right		
※	26	AA 62.20 60	Stay	TRPCB			
				ステー			
※	27	EZ 00.13 50	Cup Screw	ϕ 8 3×14 FCM3-B ϕ			Bタイト
				鉄カップスクリュー			
※	29	EK 33.60 10	BW Head Screw	3×8 FCM3-B ϕ			
				鉄BWヘッドタッピングネジ			
※	30	iL 00.06 00	Mica Base	MT-200			
				マイカベース			
※	31	NA 08.44 90	Meter Circuit Board				R,U,C
				メーターシート			
※	"	NA 08.45 00	"				A,E
				"			
※	32	JB 00.11 00	Pilot Lamp	BV 150mA			
				パイロットランプ			
※	33	CB 63.05 30	Lamp Reflector				
				ランプリフレクター			
※	34	CB 63.05 50	Diffusing Plate				
				ディフュージングプレート			

Ref. No.	Part No.	Description	部 品 名	Remarks	Common Model	Markets	ランク
* 35	CB 63:03:20	Meter Sheet	メーターシート				
* 36	CB 63:07:50	Lamp Cap	ランプキャップ				
* 37	CB 63:03:40	Diffusing Film	ディフュージングフィルム				
* 38	CB 63:02:90	Meter COver	メーターカバー				
* 39	CB 63:03:90	Reflector	リフレクター				
40	CB 06:88:80	Plastic Rivet	プラスチックリベット				
41	ED 33:01:06	Binding Head Screw	3×10 FCM3-B ℓ	鉄バインドネジ	Pタイト		
* 42	NA 08:46:10	Main Circuit Board	メインシート			R,U,A,C	
* "	NA 08:49:50	"	"				
* 43	AA 62:19:80	Top Cover	トップカバー				
* 44	AA 62:20:30	Bottom Cover	ボトムカバー				
* 45	AA 62:22:90	Rear Panel	リヤパネル			R	
* "	AA 62:23:00	"	"			U,C	
* "	AA 62:23:10	"	"			A	
* "	AA 62:23:20	"	"			E	
* 46	NB 62:03:20	Leg Ass'y	脚				
* 47	NB 62:04:60	Button Ass'y	ボタンASS'Y				
48	BA 08:58:70	Knob	ツマミ				
49	CB 60:14:40	VS Stopper	VSストッパー			E	
50	CB 06:88:80	Plastic Rivet	プラスチックリベット				
* 51	CB 63:03:70	Side Plate	サイドプレート	Left			
* 52	CB 63:03:80	"	"	Right			
55	EK 36:50:80	BW Head Screw	3×8 FCM3-B ℓ	BWヘッドタッピンネジ			
57	EX 60:00:30	"	4×132 FCM3-B ℓ	BWヘッド小ネジ	トガリ先		
58	EB 04:01:06	Flat Head Screw	4×10 FCM3-B ℓ	皿ネジ	Sタイト		
59	EK 33:00:30	BW Head Screw	3×10 FCM3-B ℓ	BWヘッドタッピンネジ			
60	AX 60:01:50	Screw	4×8 FCM3-B ℓ	化粧ネジ	Sタイト		
61	EZ 00:14:00	Ground Terminal Screw	3×13.5 MFNI-V	アース端子ネジ			
62	EV 90:13:60	Flat Washer Sems Type	ϕ 10 ϕ 3.6 t0.8 FNH3	鉄セムス平座金			
76	AA 62:20:40	Stay Heat Sink	ヒートシンクステー				
63	CB 63:07:60	Dumper (M)	ダンパー				
64	CB 60:13:40	Spacer	スペーサー				
65	CB 63:07:80	Dumper	ダンパー				
	CB 62:20:60	Anti-Vibration Tape	ボウシンテープ				
66	AA 62:33:30	Side Frame (L)	サイドフレーム(L)				
67	AA 62:20:70	Stay, Electrolytic Cap	ケミコンステー				
* 68	iA 11:69:00	Transistor	2SA1169	トランジスタ	TR135~138		Δ
* 69	iC 27:73:00	"	2SC2773	"	TR131~134		Δ
* 70	iX 60:32:60	"	2SA1216	"	TR305~308	Interchangeable	Δ
* 71	iX 60:32:70	"	2SC2922	"	TR301~304		Δ
* 70	iA 11:69:00	"	2SA1169	"	TR305~308		Δ
* 71	iC 27:73:00	"	2SC2773	"	TR301~304		Δ
72	iA 13:06:50	"	2SA1306B	"	TR125,126		Δ
73	iC 32:98:50	"	2SC3298B	"	TR119,120		Δ
74	iC 19:53:50	"	2SC1953	"	TR115,116	Δ	
75	EV 20:20:36	WASHER	ワッシャー				

* New Parts (新規部品)