

Service Manual

VR30

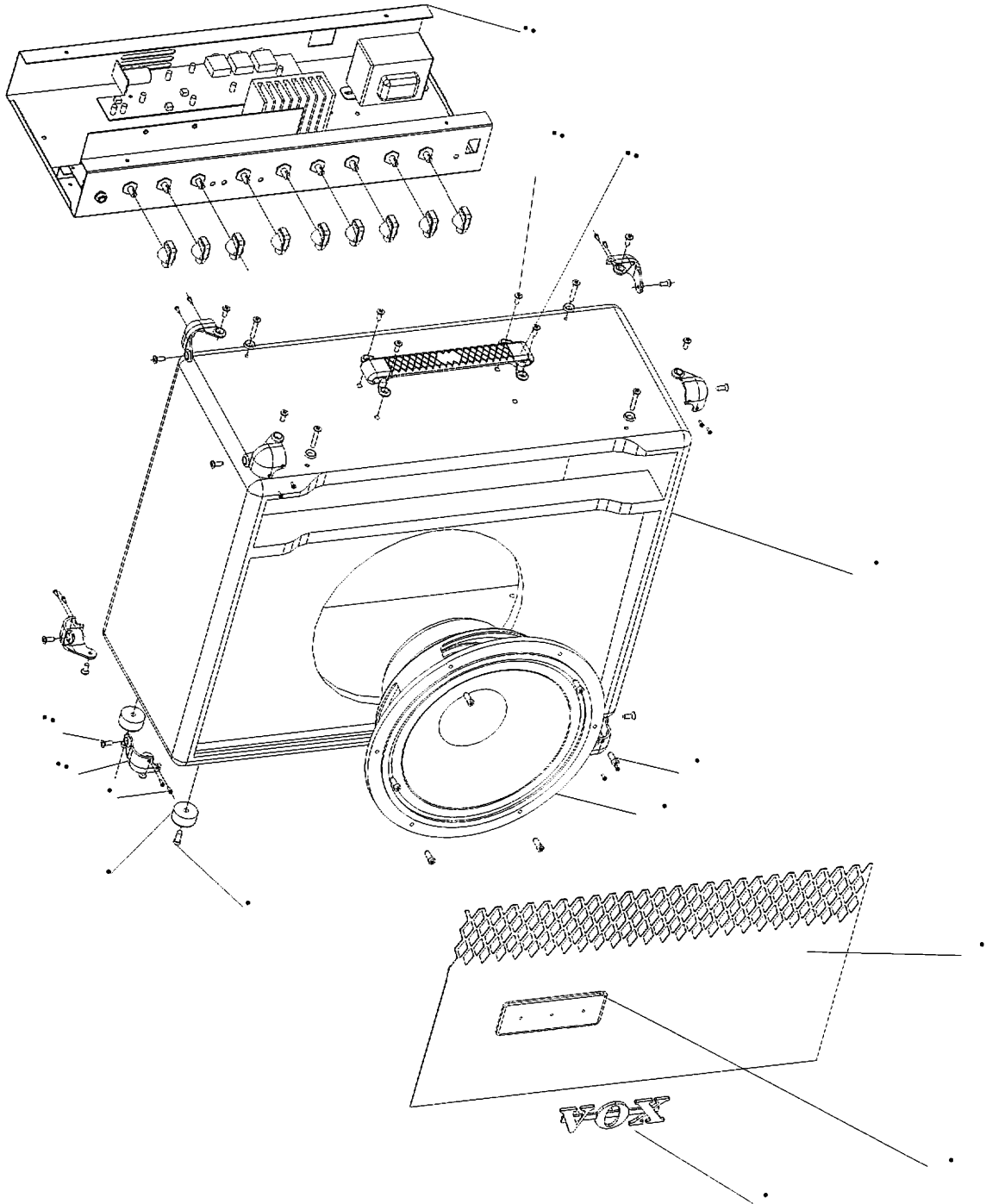
CONTENTS

- 1) Assembly Sketch: Page 2
- 2) Schematic diagrams: Page 3&4
- 3) PCB Components Location Drawing: Page 5 & 6
- 4) Service Parts List: Page 7

1st Edition
Issued date: May 12th, 2006
Issued by: KORG INC.

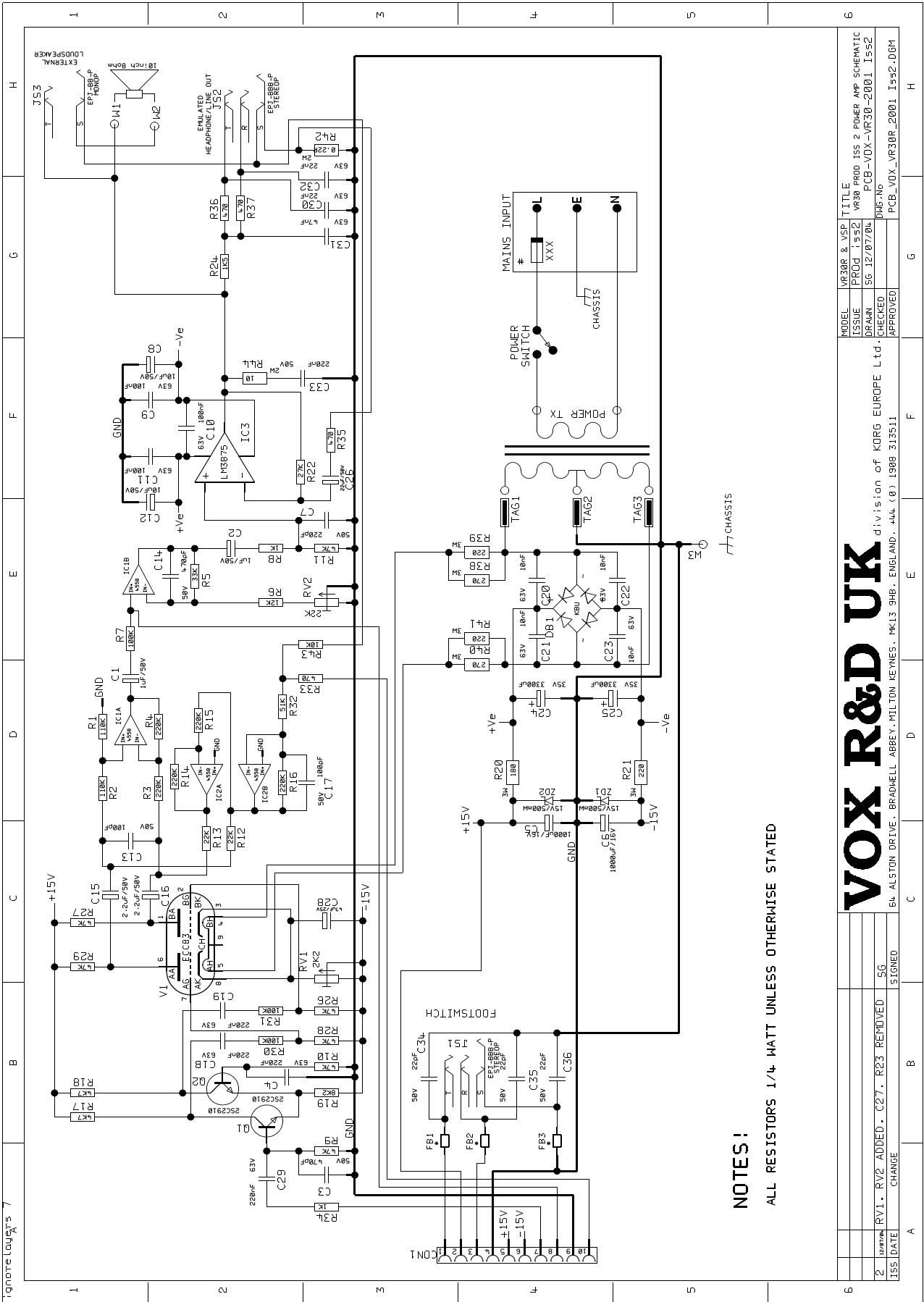
★ **ASSEMBLY SKETCH**

VR30



★ SCHEMATIC DIAGRAM(AMP)

VR30



NOTES:

ALL RESISTORS 1/4 WATT UNLESS OTHERWISE STATED

ISS DATE	CHANGE	SIGNED	SS
2	REVISED	SS	
1	REVISED	SS	
1	REVISED	SS	

MODEL	VR30R & VSP	TITLE	VR30 PROD ISS 2 POWER AMP SCHEMATIC
ISSUE	ISS2	PROJ	ISS2
DRAWN	SS	PCB	PCB-VDX-VR30-2001
CHECKED	SS	DRG No	ISS2
APPROVED	SS	PCB VDX	PCB_VDX_VR30R_2001_ISS2.DGM

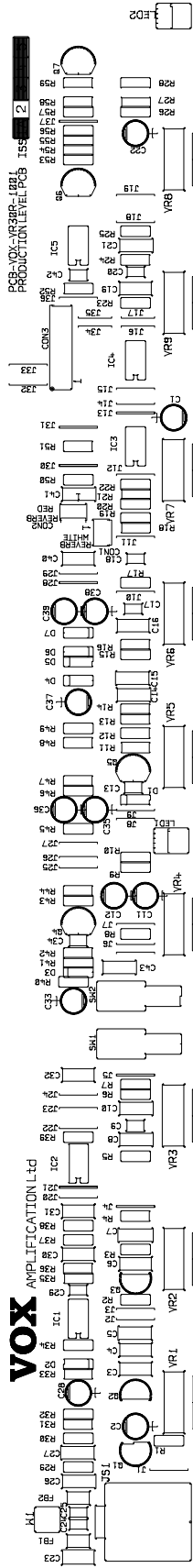
division of KORG EUROPE Ltd.
 54 ALSTON DRIVE, BRADWELL ABBEY, MILTON KEYNES, MK13 9HB, ENGLAND. (0) 1998 313511

VOX R&D UK



PCB COMONENTS LOCATON DRAWING

VR30

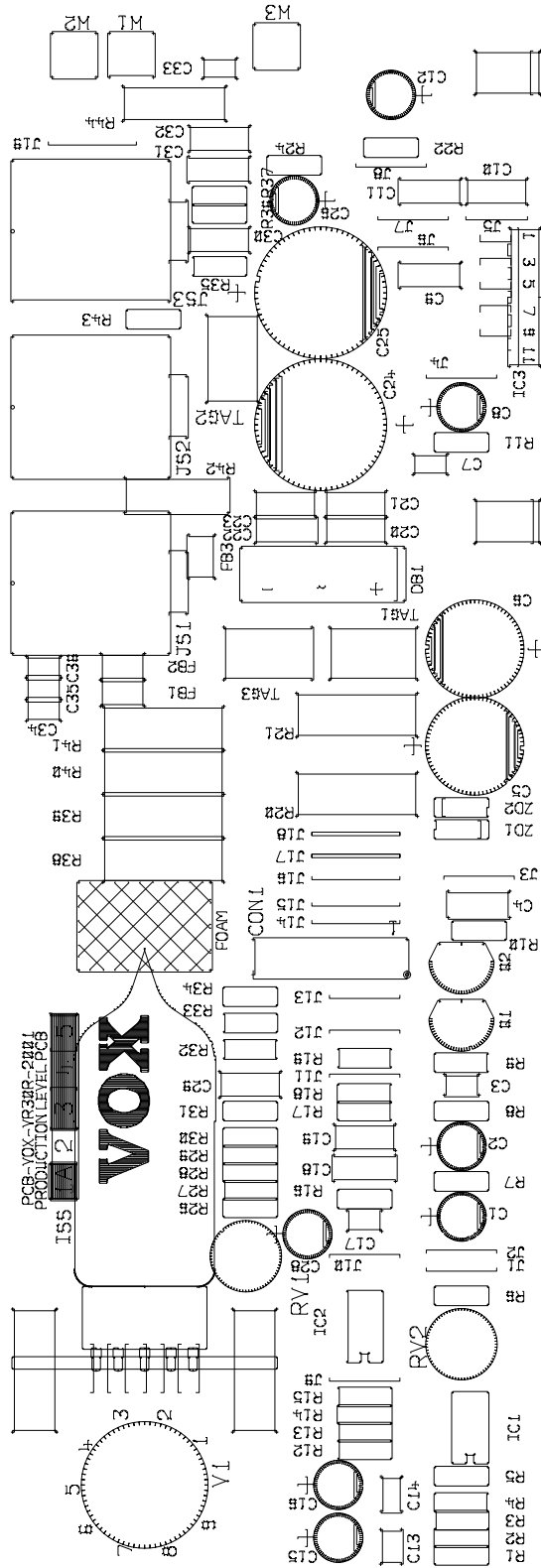


Prefix pcb components location drawing



PCB COMONENTS LOCATION DRAWING

VR30



Amplifier pcb components location drawing

VOX VR30 Parts List

Part Code	Part Name	Reference	QTY
53000000057	LOGO PLATE 217-1327000001	1	1
530000000448	LOGO BASE(VR30)	2	1
530000000450	IRON MESH(VR30)	3	1
530000000467	WOOFER(VR30)	4	1
530000000458	CABINET(VR30)	6	1
530000000063	RUBBER FOOT 25*12.5 W CUSHION	8	4
530000000060	PLASTIC CORNER 406-1308000000	10	8
530000000064	HANDLE AC15CC1	12	1
530000000447	BUTTON(PLASTIC KEYSTOKE)		2
530000000092	KNOB BLACK ABS 215-1308000000		9
530000000436	POWER TANSFORMER(VR30)		1
530000000438	POWER SWITCH R130-22C-11P		1
530000000088	POWER SOCKET RF-2004		1
530000000442	REVERBERATION(VR30)		1
530000000464	RADIO TUBE 12A*7A		1
530000000445	VR30-PREAMP PCB ASS'Y		1
530000000422	IC NJM1458D	IC3	1
530000000423	IC TL071	IC5	1
530000000103	IC NJM2120D	IC1.2.4	3
530000000425	TR 2SA1208	Q4.5	2
530000000105	TR 2SC2910	Q6.7	2
530000000426	FET J174	Q2.3	2
530000000427	TR BC182L	Q1	1
530000000429	LED D5-GREEN SLR57MG		1
530000000430	VR 10KB (VR30)	VR9	1
530000000431	VR RD1610NOJ0X-VA4-A100K	VR2.3.6	3
530000000432	VR RD1610NOJ0X-VA4-B22K	VR7	1
530000000433	VR 5KB (VR30)	VR8	1
530000000434	VR RD1610NOJ0X-VA4-A50K	VR1.4.5	3
530000000439	SWITCH PS-22F02	SW1.2	2
530000000112	PHONE JACK LS-2031-4		1
530000000116	JACK JS-1001-02	CON1.2	2
530000000446	VR30 AMPLIFIER PCB ASS'Y		1
530000000419	IC NJM4558D	IC1.2	2
530000000424	IC LM3875	IC3	1
530000000105	TR 2SC2910	Q1.2	2
530000000112	PHONE JACK LS-2031-4	JS3	1
530000000113	PHONE JACK LS-2031-6	JS1.2	2
530000000120	MANOSTAT IN4744A 15V-1W	ZD1.2	2
530000000465	RADIO TUBE SOCKET(VR30)		1