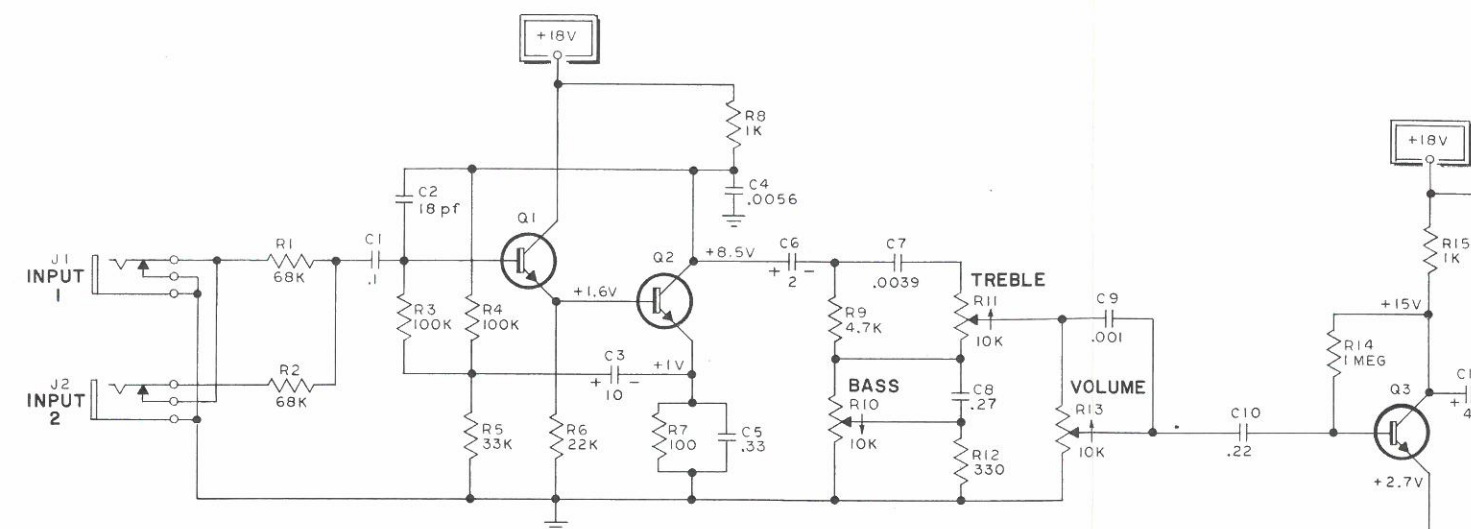
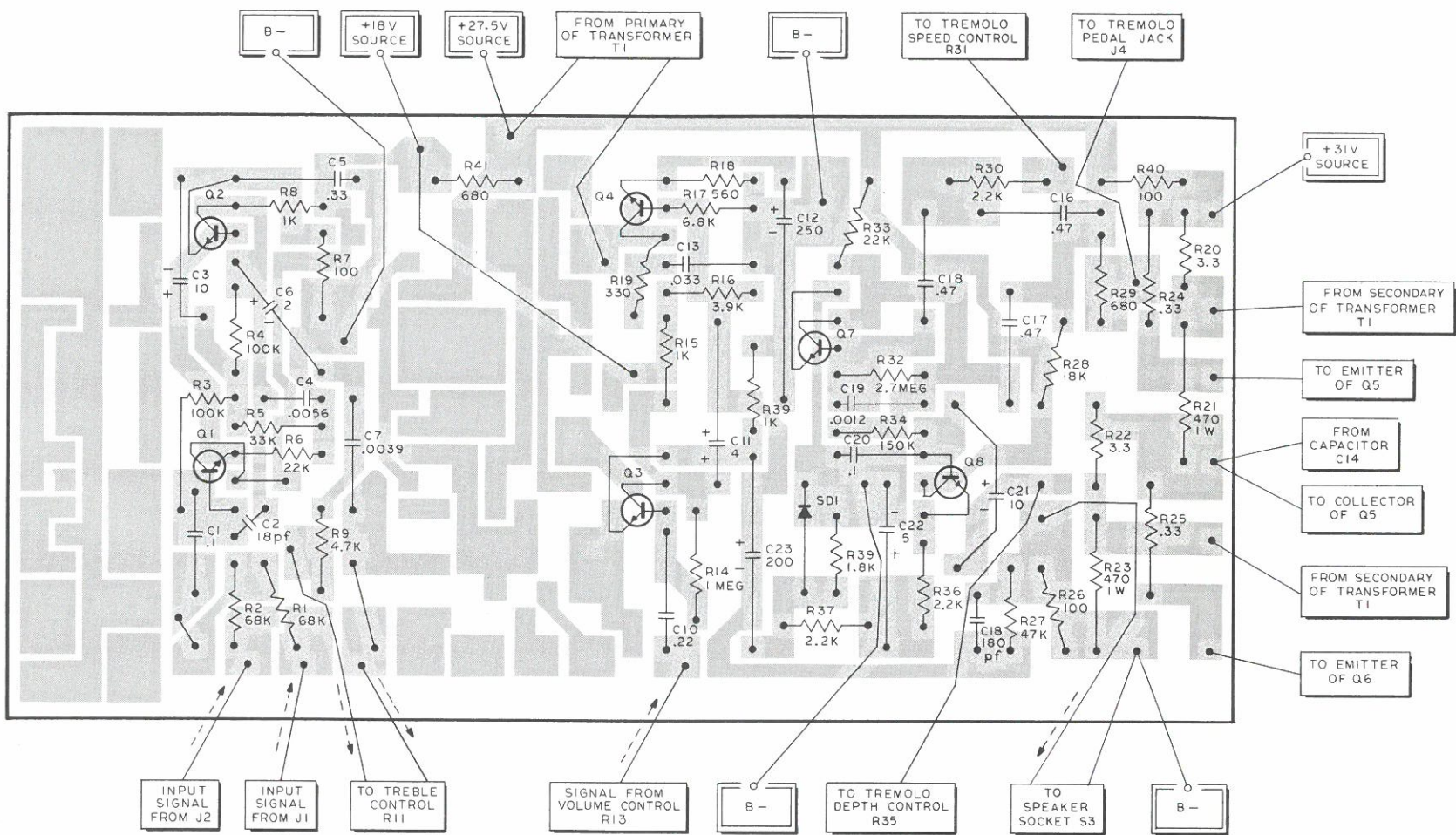


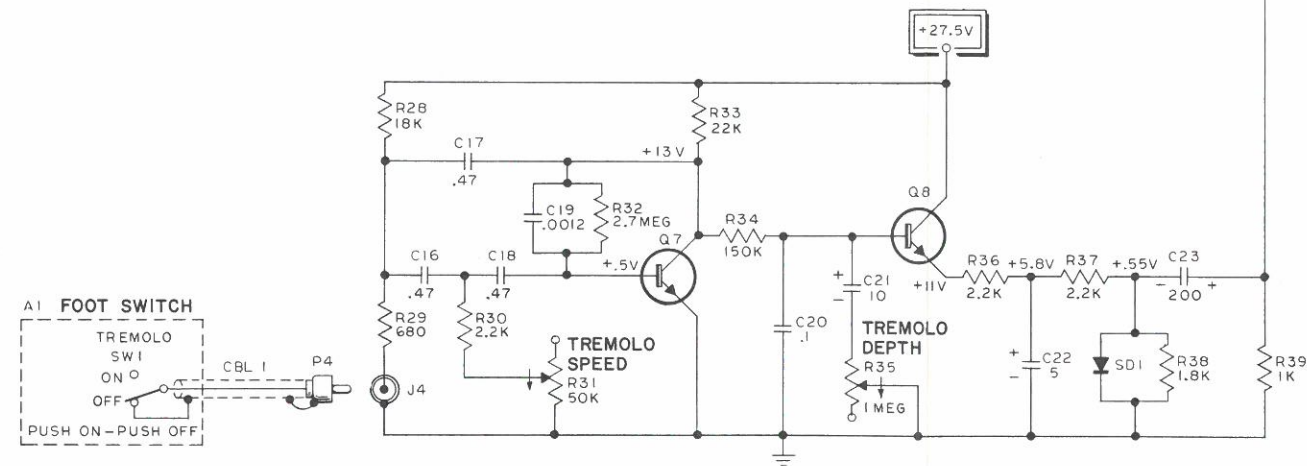
GENERAL INFORMATION

- This symbol denotes the common connecting points for the various power supply connections throughout the organ. Note that several of these points are marked "source" which denotes the origin of the reference potential.
- These symbols both represent B- (amplifier chassis ground).
- Arrows indicate the direction of audio signal flow through the circuits.
- This symbol indicates plug and socket terminal connections. Where it is not practical to draw the assembly as a complete unit.

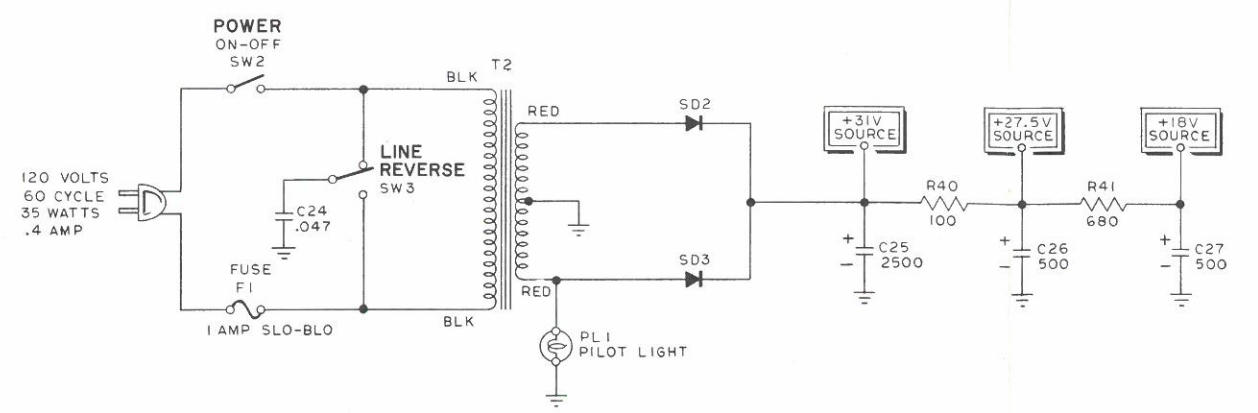
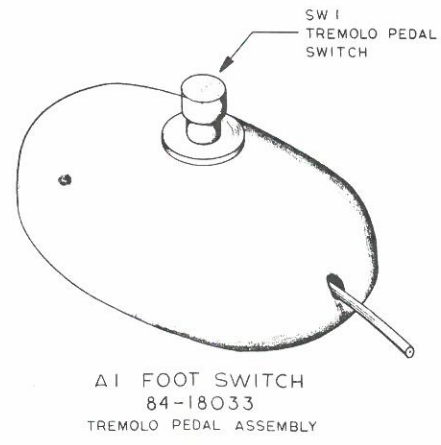
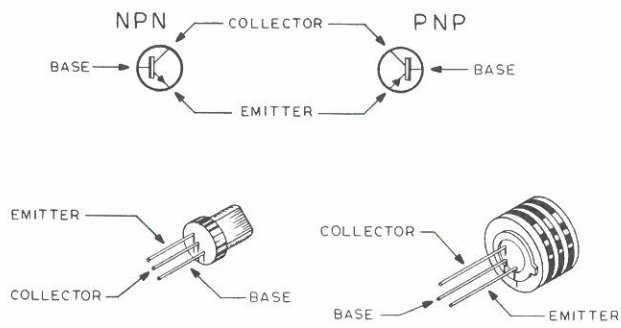
- All capacitors in MFD unless otherwise indicated.
- All resistors 1/2W 10% unless otherwise indicated.
- All voltage readings made with 20,000 ohm per volt meter (voltages $\pm 10\%$ with no signal applied).
- Arrow drawn on pot. arm indicates clockwise rotation.

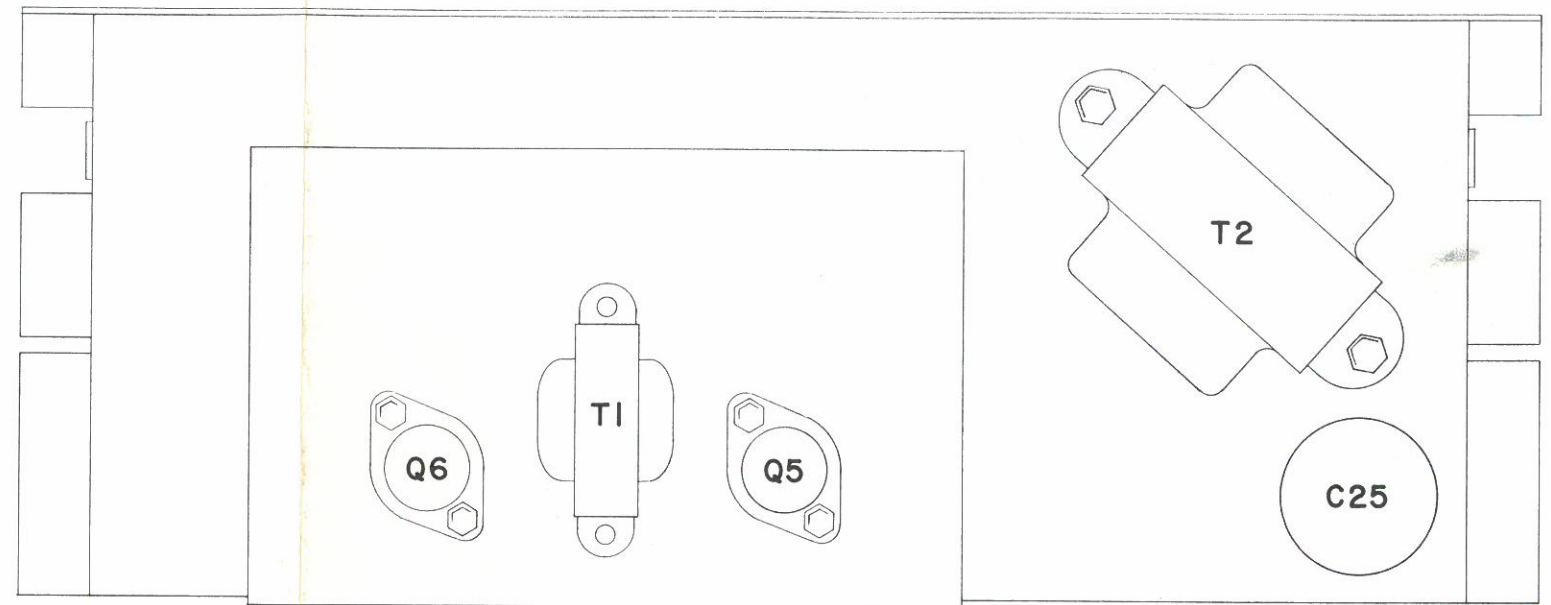
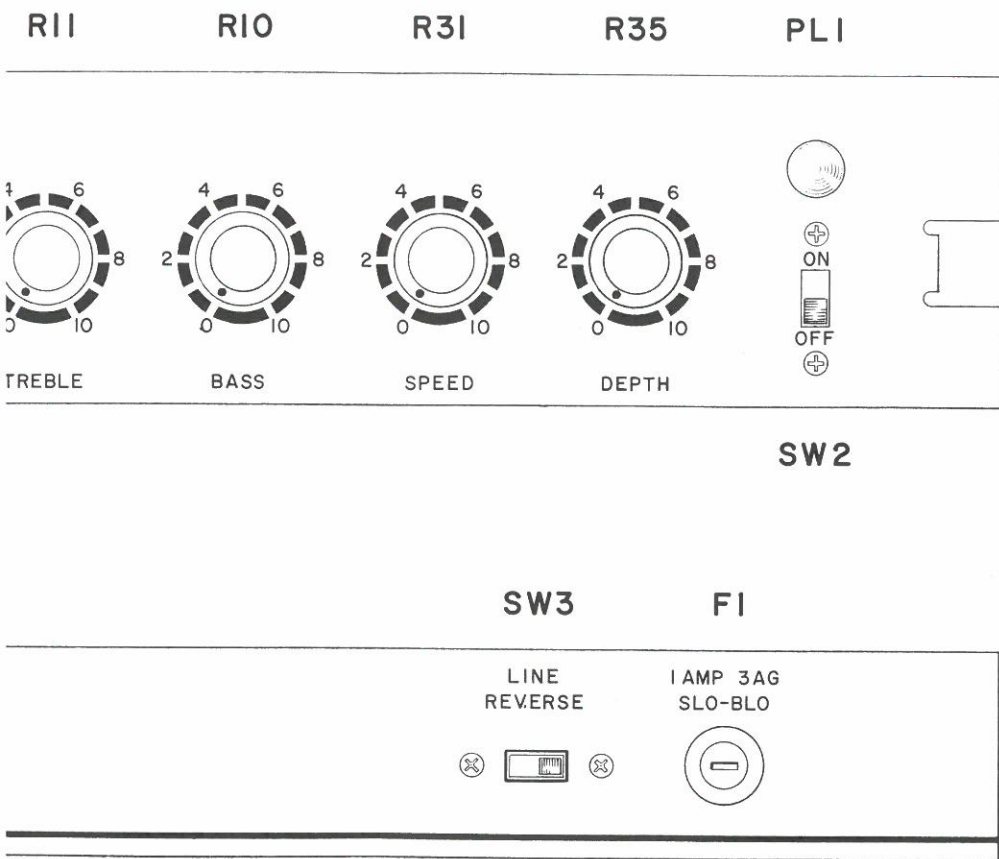


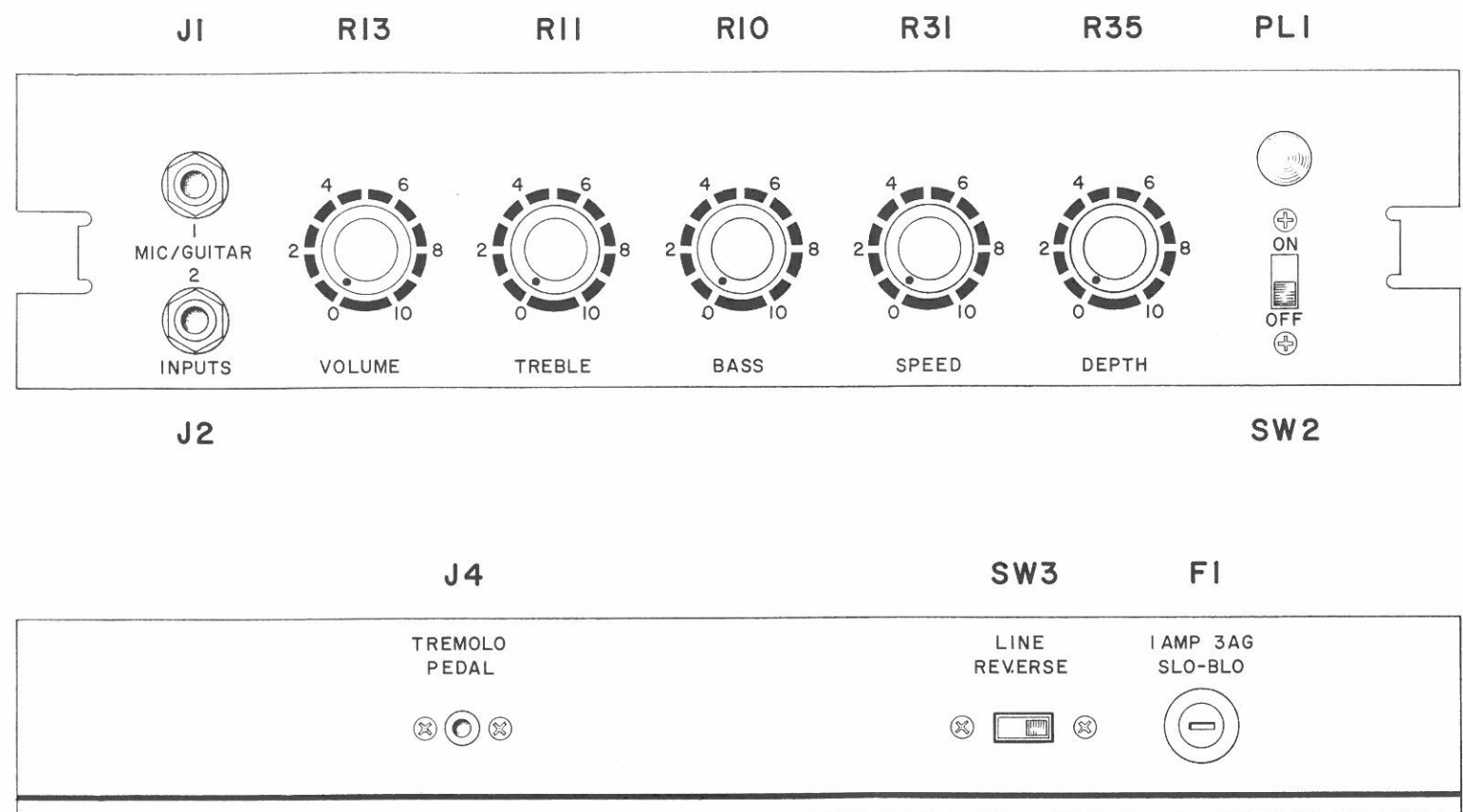
P.C. BOARD & COMPONENTS
84-18382-0
(SHOWN COMPONENT SIDE UP)



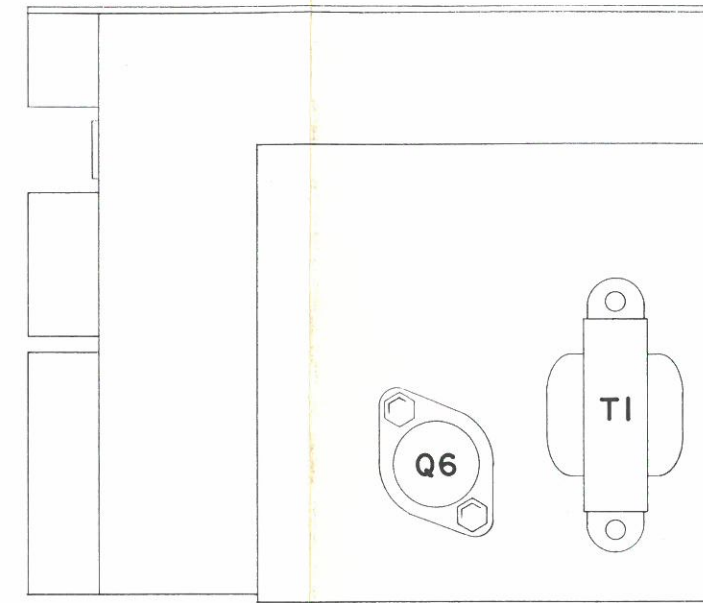
TRANSISTOR INFORMATION







ESCUTCHEON



AMP