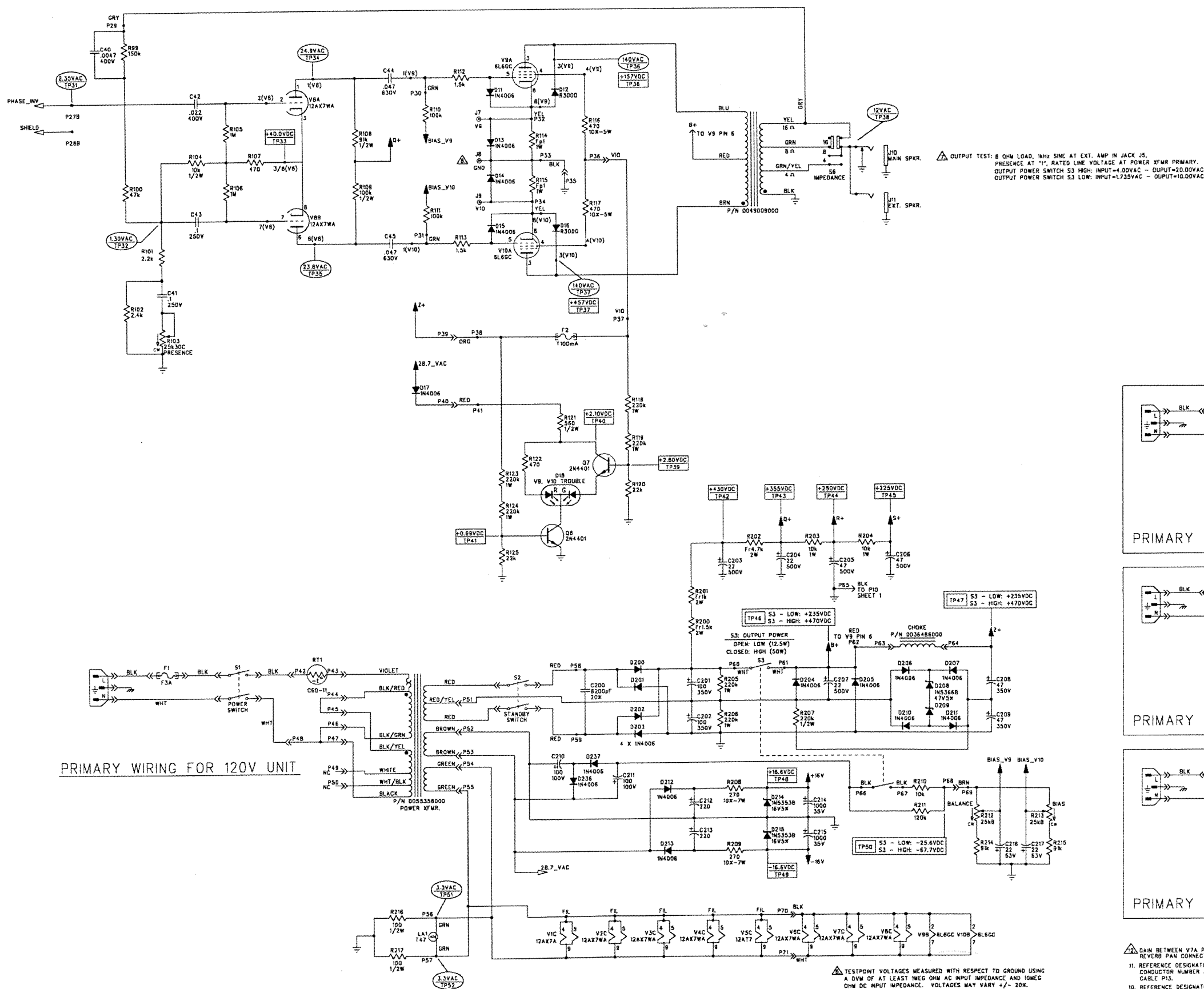


REVISIONS			
REV.	DESCRIPTION	DATE	APPROVED
A	PR425	10-AUG-99	M.J.C.
B	EC 2367	25-OCT-99	M.J.C.



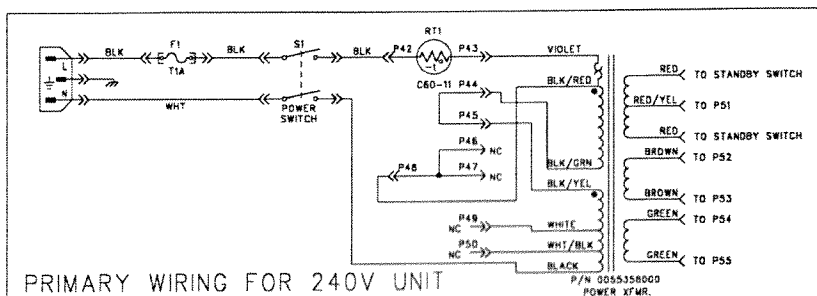
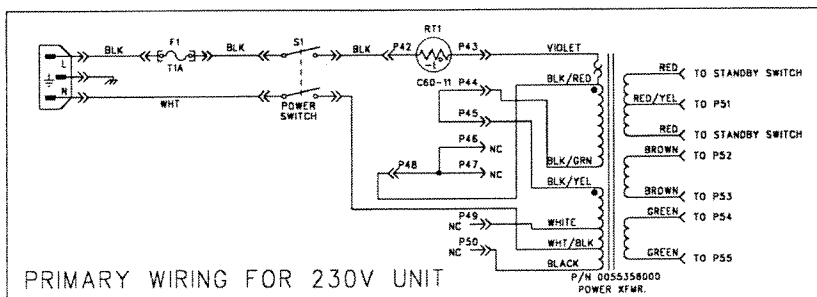
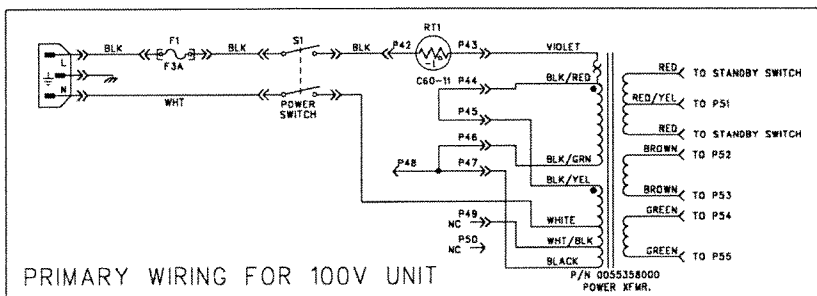
OUTPUT TEST: 8 OHM LOAD, 1MHz SINE AT EXT. AMP IN JACK J5.
 PRESENCE AT "1", RATED LINE VOLTAGE AT POWER XFMR PRIMARY.
 OUTPUT POWER SWITCH S3 HIGH: INPUT=4.00VAC - OUTPUT=20.00VAC
 OUTPUT POWER SWITCH S3 LOW: INPUT=1.735VAC - OUTPUT=10.00VAC

PRIMARY WIRING FOR 120V UNIT

PRIMARY WIRING FOR 100V UNIT

PRIMARY WIRING FOR 230V UNIT

PRIMARY WIRING FOR 240V UNIT



NOTES: (UNLESS OTHERWISE NOTED)

- THIS SCHEMATIC IS FOR PCB FABRICATIONS P/N 0055364000 AND 005580000, AND PCB ASSEMBLIES P/N 0055365000 AND 0055810000.
- ALL DIODES ARE 1N4006.
- ALL POLARIZED CAPACITORS IN W.F., 20% 50V MINIMUM.
- ALL UNPOLARIZED CAPACITORS IN W.F., 10% OR BETTER; 50V MINIMUM. (POWER SUPPLY BYPASS CAPACITORS ARE 20%).
- ALL RESISTORS IN OHMS, S%: 1/4W.

TESTPOINT VOLTAGES MEASURED WITH RESPECT TO GROUND USING A 50V OHM OF AT LEAST 100 OHM AC INPUT IMPEDANCE AND 100K OHM DC INPUT IMPEDANCE. VOLTAGES MAY VARY +/- 20%.

TEST CONDITIONS:
 UNIT AT RATED LINE VOLTAGE.
 ALL CONTROLS SET TO "1" (50% ROTATION) EXCEPT CH. 1 VOL. AT "3" CH. 2 GAIN AT "2" CH. 3 VOL. AT "B". REVERSE AT "1" PRESENCE AT "1" EFFECTS LOOP ENGAGE, LOOP CONTROLS SET FOR UNITY GAIN (APPROX. "5-1/2"). BIAS SET FOR 30mv PER TUBE. SEE NOTE 8.
 ALL AC VOLTAGES MEASURED WITH INPUT SIGNALS NORMALIZED TO PRODUCE 2.50V AT TP18 WHICH PRODUCES 12.0Vrms INTO AN 8 OHM RESISTIVE LOAD AT TP38. PCB'S CONNECTED TOGETHER VIA RIBBON CABLE/HEADER P13.

THIS DOCUMENT CONTAINS INFORMATION OF A PROPRIETARY NATURE TO FENDER MUSICAL INSTRUMENTS AND IS SUBMITTED TO YOU IN CONFIDENCE AND SHALL NOT BE DISCLOSED OR TRANSMITTED TO OTHERS WITHOUT AUTHORIZATION FROM FENDER MUSICAL INSTRUMENTS.

Fender MUSICAL INSTRUMENTS
 2621 Research Drive
 Corona, CA 91720 USA

TITLE: SERVICE DIAGRAM, COMBINED (schematic)
SUNN T50C

CHECKED BY: *AMW*
 DATE: 25-OCT-99
 APPROVED BY: *MS*
 DATE: 10-22-99
 DRAWN: M. COZZA (ENGR: M. COZZA)
 DATABASE FILE: 24258.SCH

SIZE: **D** DRAWING NUMBER: **0055375000** REV: **B**
 RELEASE DATE: 11-AUG-99 SHEET: 2 OF 4