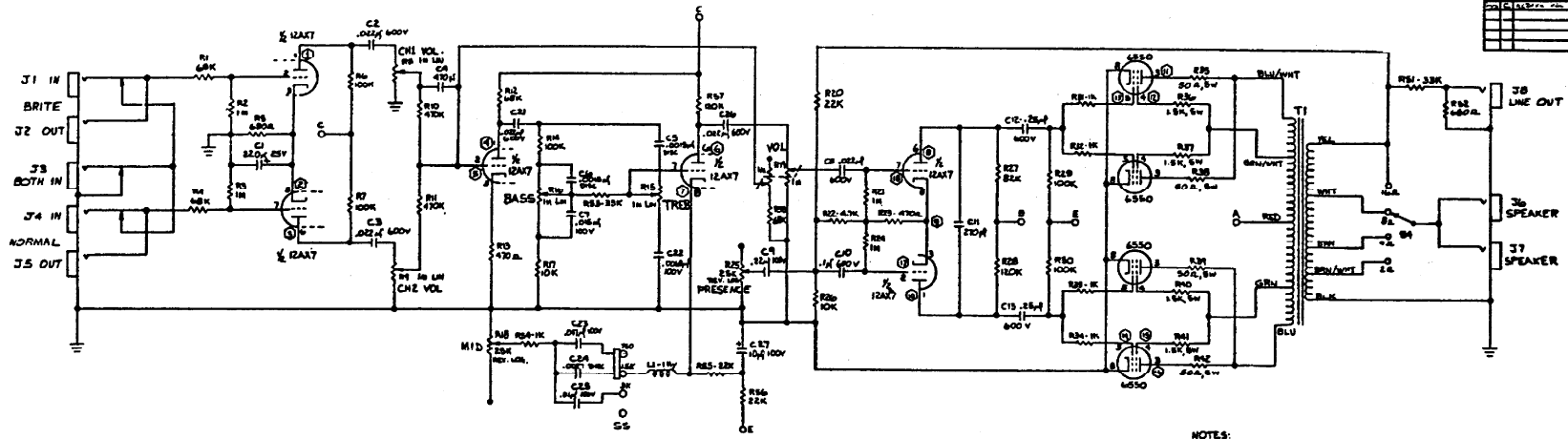


MODEL T SUPER

Sunn

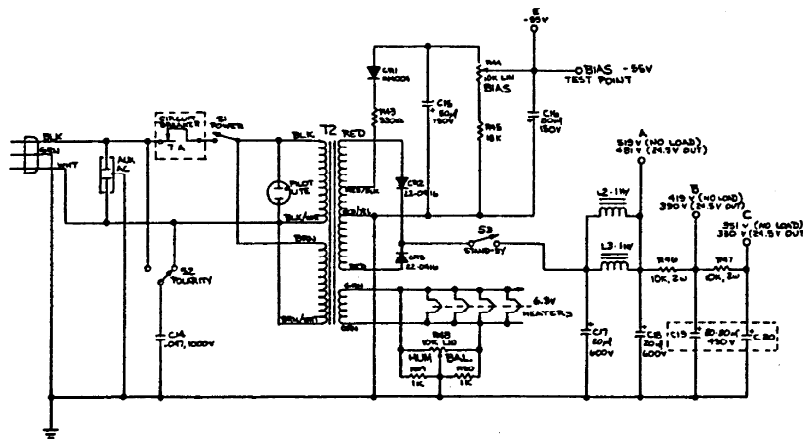


REV.	DATE	BY	CHK.

PT. NO.	NO. LOAD	250 W RMS OUT.	PT. NO.	NO. LOAD	250 W RMS OUT.
(1)	227	218	(1)	251	251
(2)	171	146	(1)	207	472
(3)	232	213	(2)	204	459
(4)	210	198	(3)	-53	-53
(5)	N/A	N/A	(4)	508	438
(6)	143	173	(5)	508	438
(7)	270	270	(6)	25	24
(8)	30	40	(7)	22.5	22.8

NOTES:

- VOLTAGES TAKEN UNDER FOLLOWING CONDITIONS:
 A. INPUT: 1 V RMS. SINCE WAVE IN TO "BOTH IN" (J3) JACK.
 B. CONTROLS: BRITE (NORMAL VOLUME), BASS, MID, TREBLE & MASTER VOLUMES, AND PRESENCE CONTROL SET AT "10".
 C. LOAD: 4 OHM RESISTIVE. OUTPUT SELECTOR SET AT "A", ADJUST INPUT SIGNAL LEVEL TO GIVE 24.5 VRMS ACROSS LOAD.
- HUM BALANCE: HUM BALANCE CONTROL SET TO MINIMUM HUM WITH "BOTH IN" (J3) INPUT OPEN. **CAUTION:** PREAMP STAGES MUST BE SHIELDED FOR THIS ADJUSTMENT. IF NO SHIELD IS AVAILABLE, ADJUST WITH AMPLIFIER IN ITS CABINET. ALL CONTROLS SET AT "10".
- BIAS: SET BIAS FOR -56 VOLTS WITH STANDBY SWITCH "ON".
- POTS: R8, R9, R15, R16, R19, R44, R45 ARE LINEAR TAPER.
- POTS R18 & R25 ARE REVERSE LOG.
- ALL RESISTOR VALUES ARE 1/2W, 5% UNLESS OTHERWISE SPECIFIED.



REV.	DATE	BY	CHK.

MODEL T (SUPER)	
SCHEMATIC	
2-12-78	D1029