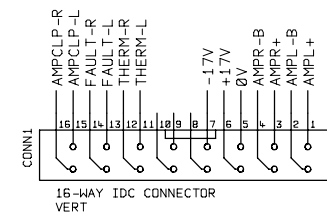
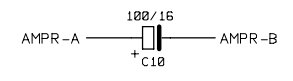
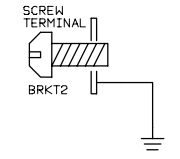
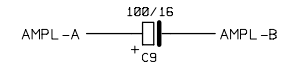
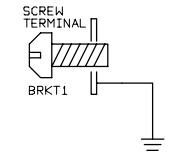
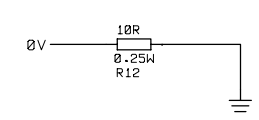
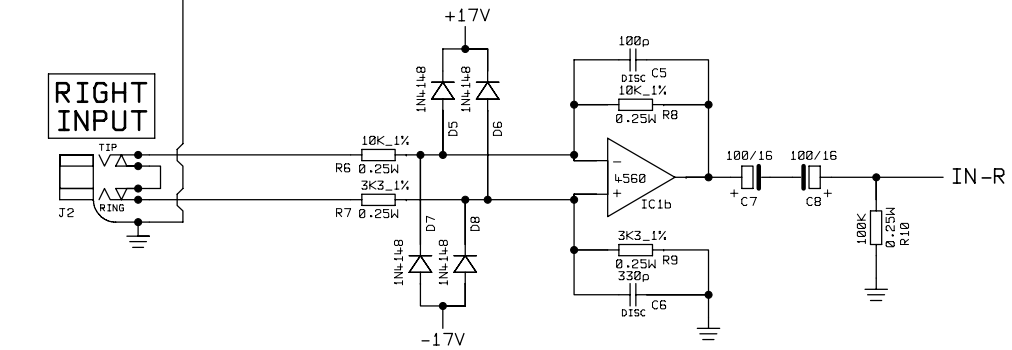
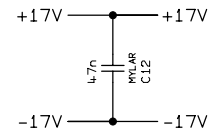
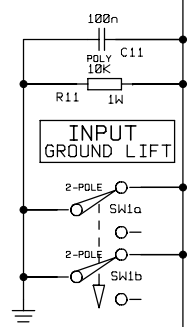
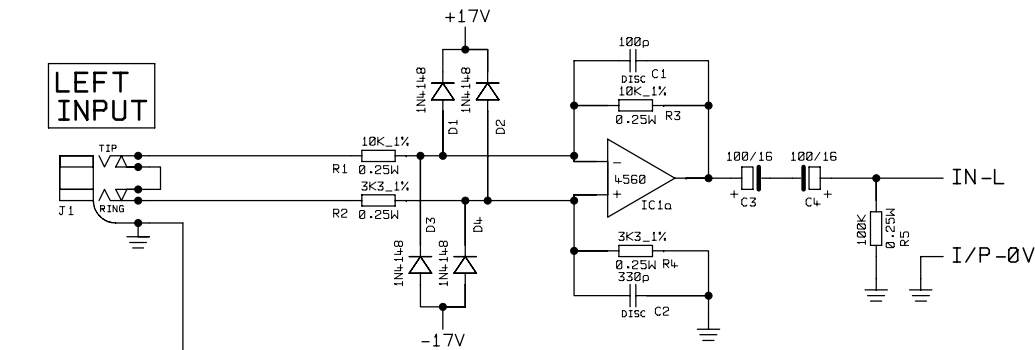


NOTE: VOLTAGES MEASURED AT 230V A.C. SUPPLY

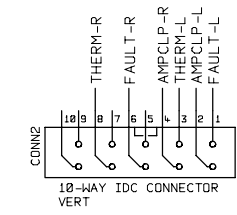
REV1 = R4.5, R4.8 39k 5% REMOVED.
R4.7, R50 CHANGED FROM 220R 5% TO 220R 5% FUSIBLE

REV2 = 1500E ADDED TO RANGE, R4.6&R4.9 CHANGED FROM 3K3_1% TO 27K
R4.7&R50 CHANGED FROM F220R TO F1K (FUSIBLE)
R35, R36, R37, R38 CHANGED FROM 0R15 ROX55 TO 0R12 ROX55

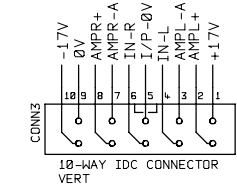
STUDIOMASTER DIAMOND LTD		TITLE		AMPLIFIER AMP CIRCUIT		FILE NAME		R2C5-4.DGM	
PRODUCT		1200D 1500E PHH		PART 1 OF 1		ISSUE No		R2C5-4	
VERSIONS		ALL MODELS		DRN BY		P.A.		DATE	
								06-09-99	
								REV2	



TO PSU

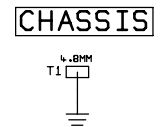
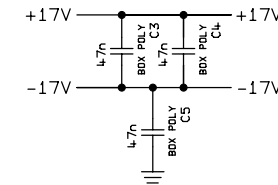
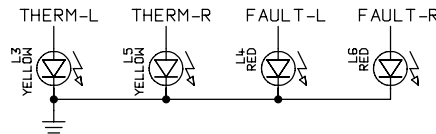
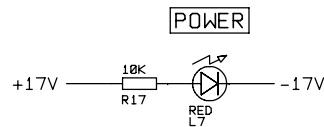
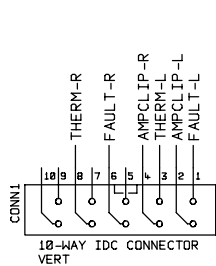
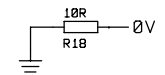
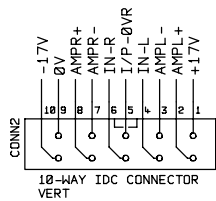
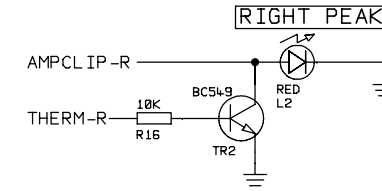
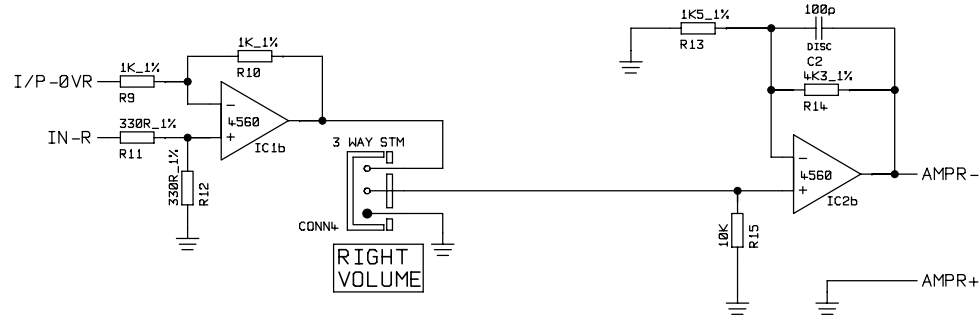
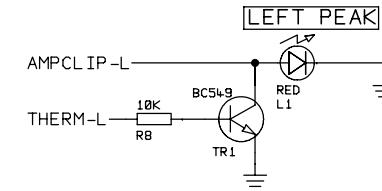
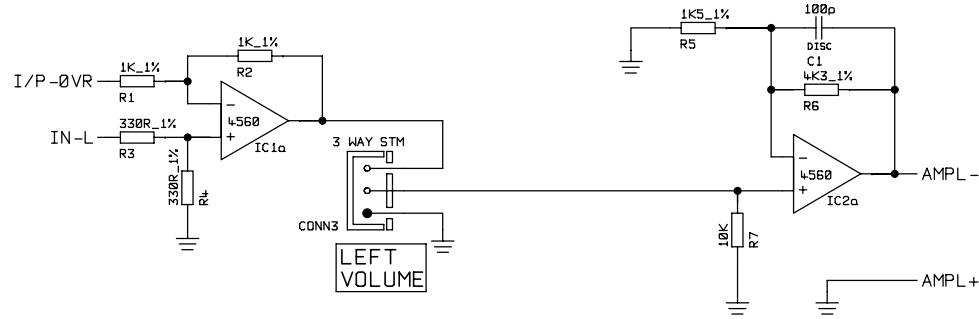


TO DISPLAY CONN1

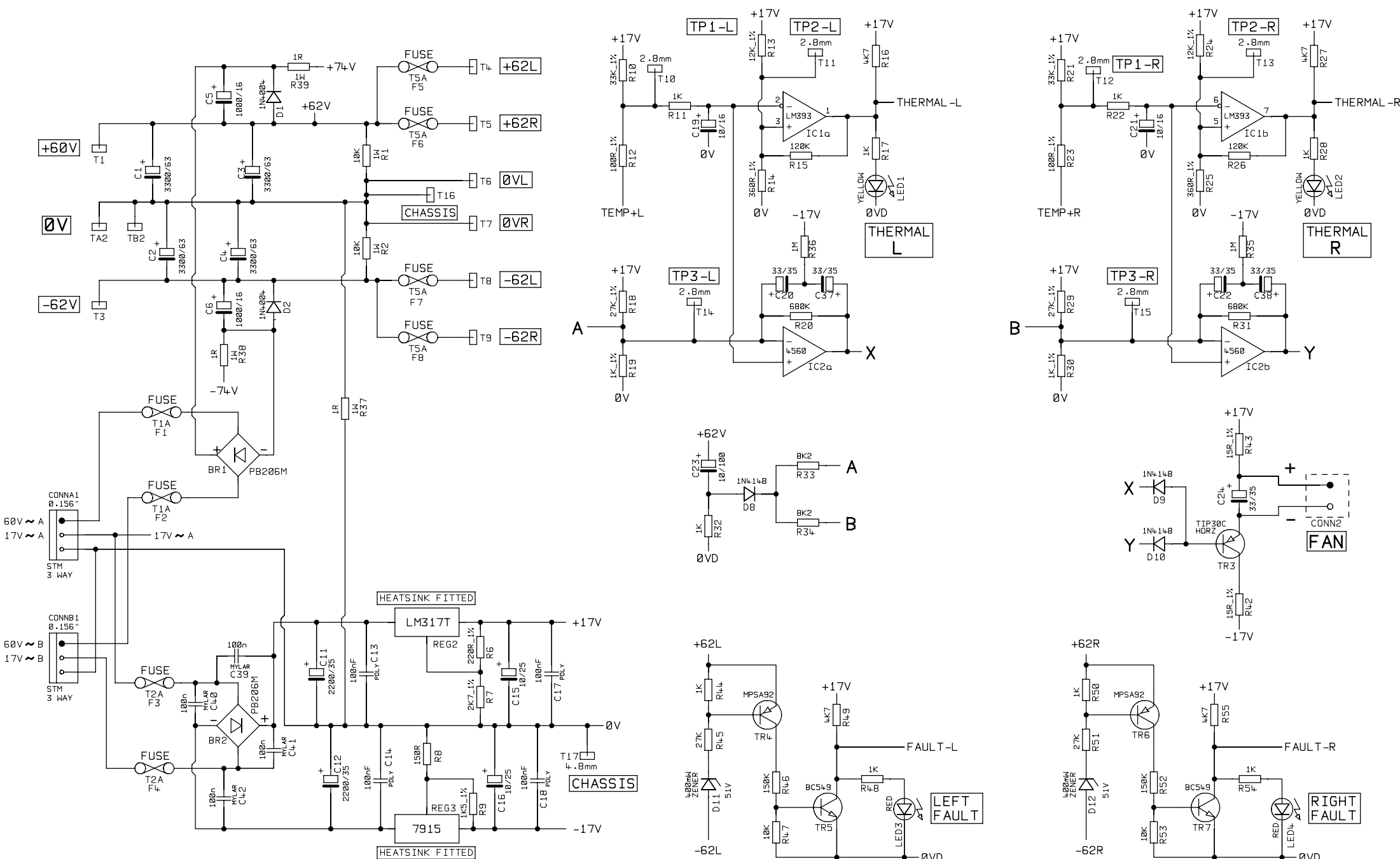


TO DISPLAY CONN2

STUDIOMASTER DIAMOND LTD		TITLE	INPUT CIRCUIT DIAGRAM			FILE NAME	R2C16-1.DGM
PRODUCT	600E	PART 1 OF 1				ISSUE No	
VERSIONS		DRN BY	P.A.	DATE	20-01-00	R2C16-1	



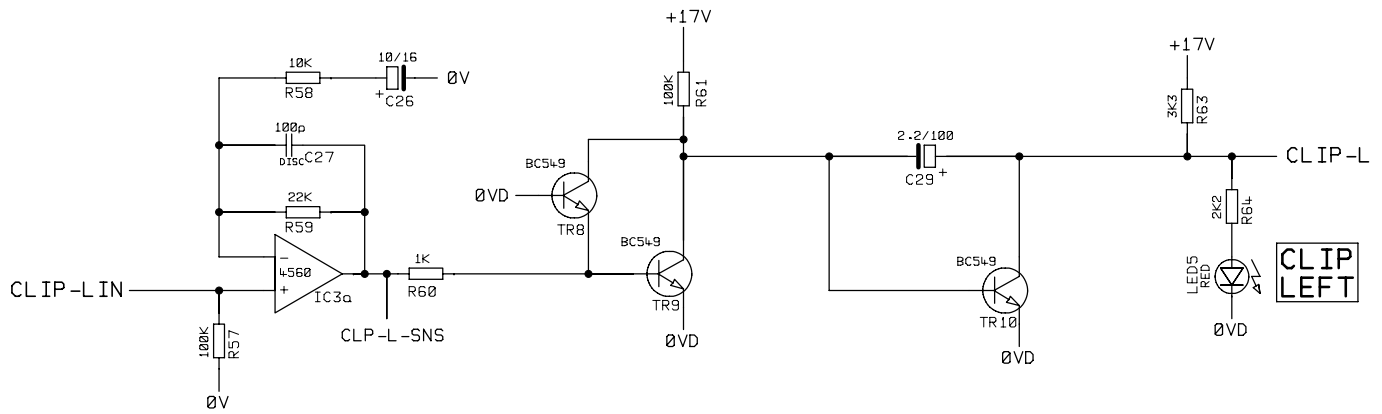
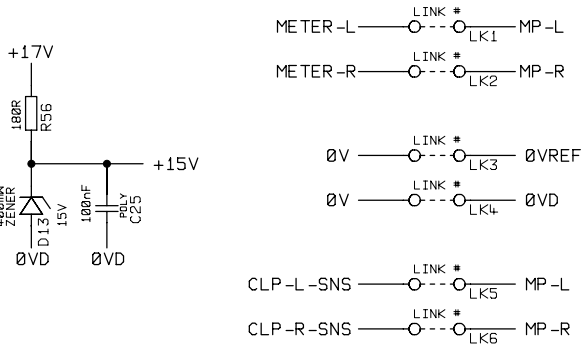
STUDIOMASTER DIAMOND LTD		TITLE		DISPLAY PCB CIRCUIT		FILE NAME	
PRODUCT		600E		PART 1 OF 1		R2C23-1.DGM	
VERSIONS				DRN BY		P.A. DATE 23-06-99	
						ISSUE No	
						R2C23-1	



NOTE: VOLTAGES MEASURED AT 230V/115V A.C. SUPPLY

REV A: R14.25 FROM 330R TO 360R 1% (270999)

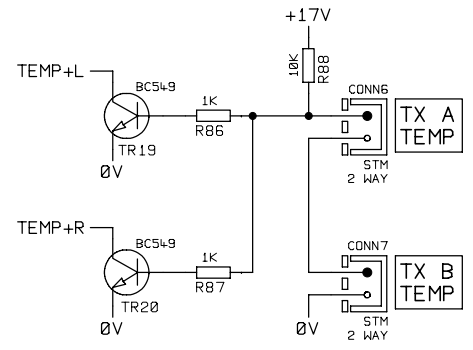
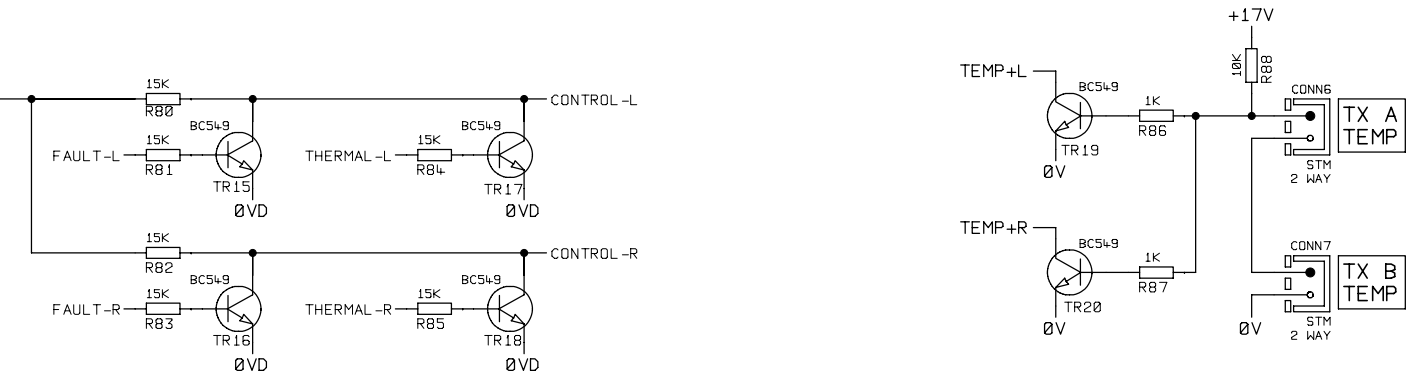
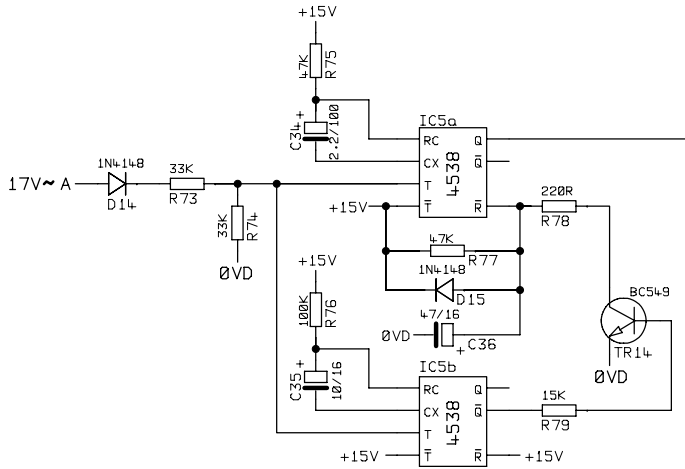
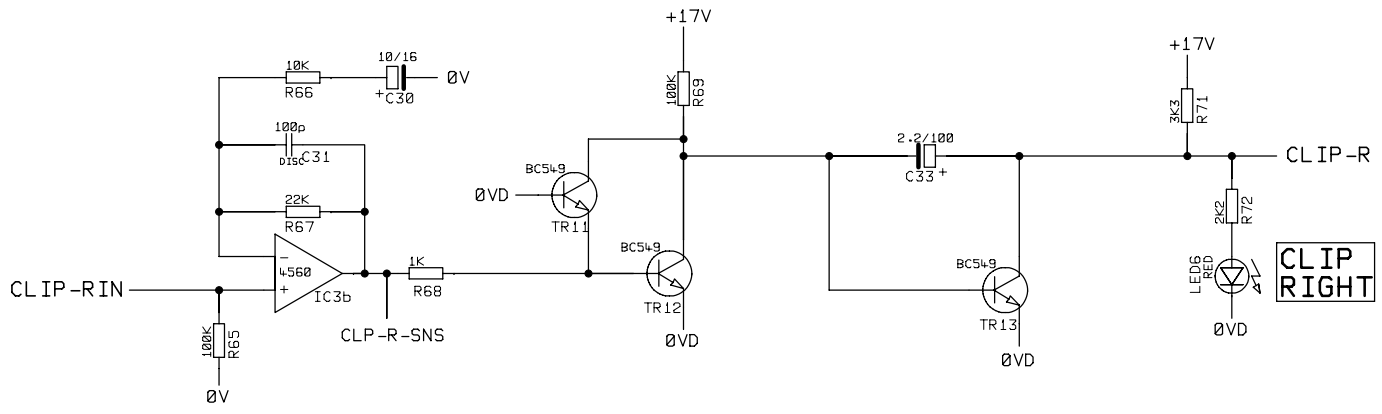
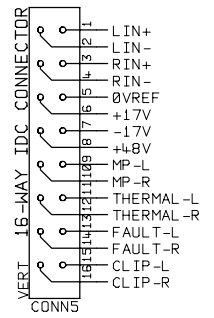
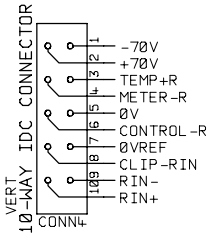
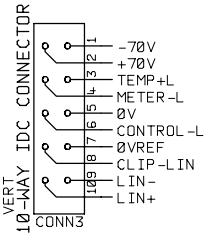
STUDIOMASTER DIAMOND LTD		TITLE		AMPLIFIER PSU CIRCUIT		FILE NAME		R2C24A-1.DGM	
PRODUCT	600E	PART 1 OF 2				ISSUE No		R2C24A-1	
VERSIONS		DRN BY	P.A.	DATE	27-09-99			REV A	



TO LEFT AMP

TO RIGHT AMP

TO IN-OUT BOARD



REV A: SEE PART 1

STUDIOMASTER DIAMOND LTD		TITLE	AMPLIFIER PSU CIRCUIT		FILE NAME	R2C24B-1.DGM	
PRODUCT	600E	PART 2 OF 2			ISSUE No	R2C24B-1	
VERSIONS		DRN BY	P.A.	DATE	27-09-99		REV A