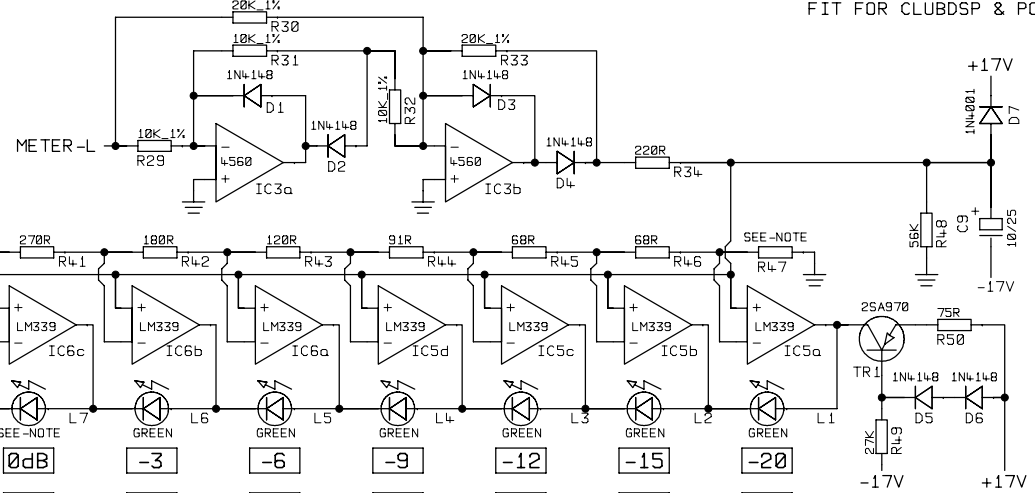
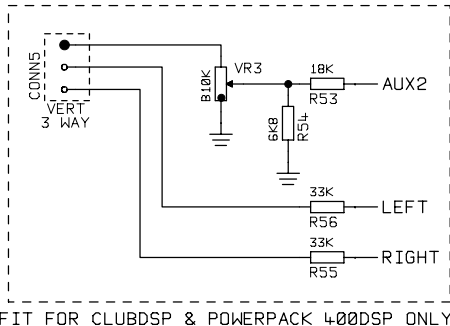
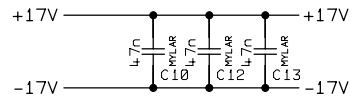
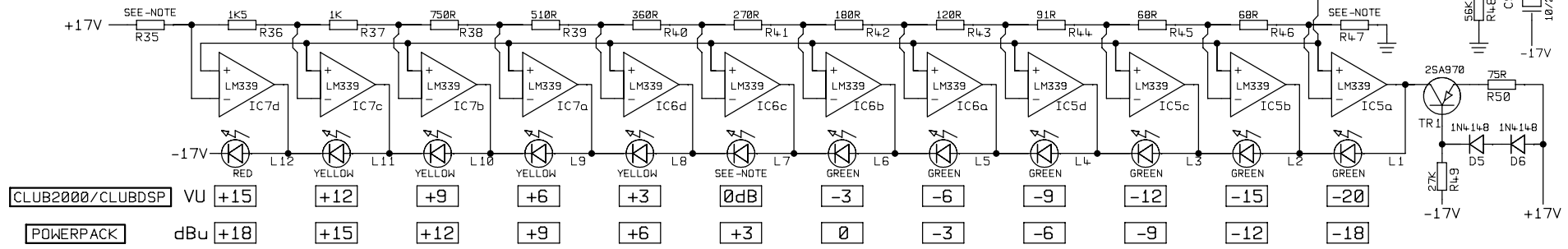


NOTES -
 L7 FOR CLUB2000 & CLUBDSP FIT GREEN LED
 FOR POWERPACK 400&400DSP FIT YELLOW LED
 R35 FOR CLUB2000 & CLUBDSP FIT 15K_1%
 FOR POWERPACK 400&400DSP FIT 16K_1%
 R47 FOR CLUB2000 & CLUB DSP FIT 91R
 FOR POWERPACK 400&400DSP FIT 82R



LM339 PIN OUTS

1	=	O/P	=	GRPB
2	=	O/P	=	GRPA
3	=		=	+17V
4	=		=	GRPA
5	=		=	GRPA
6	=		=	GRPB
7	=		=	GRPB
8	=		=	GRPC
9	=		=	GRPC
10	=		=	GRPD
11	=		=	GRPD
12	=	-17V		
13	=	O/P	=	GRPD
14	=	O/P	=	GRPC



CLUB2000/CLUBDSP	VU	+15	+12	+9	+6	+3	0dB	-3	-6	-9	-12	-15	-20
POWERPACK	dBu	+18	+15	+12	+9	+6	+3	0	-3	-6	-9	-12	-18