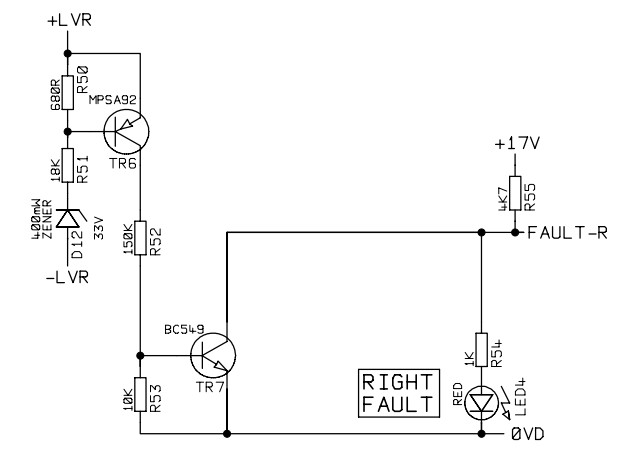
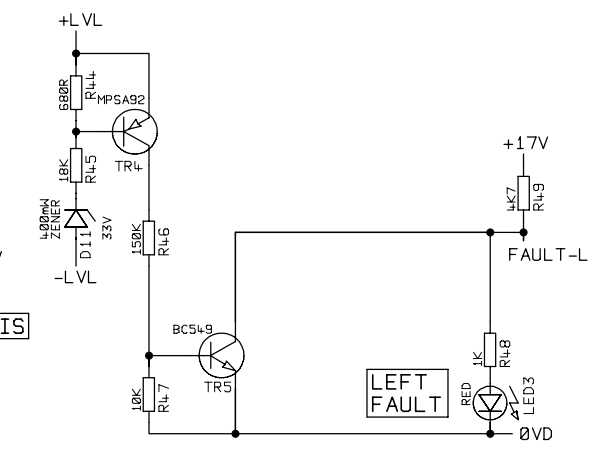
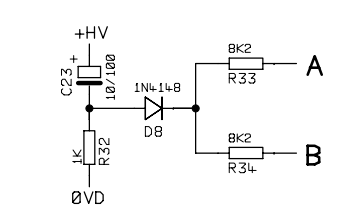
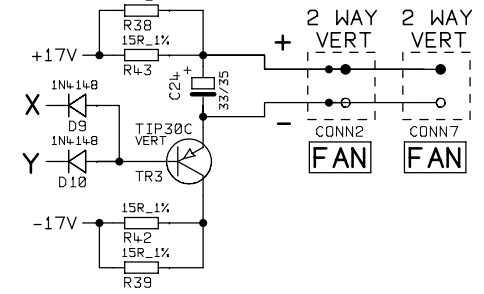
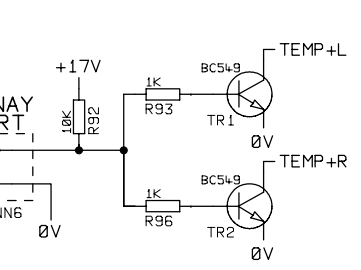
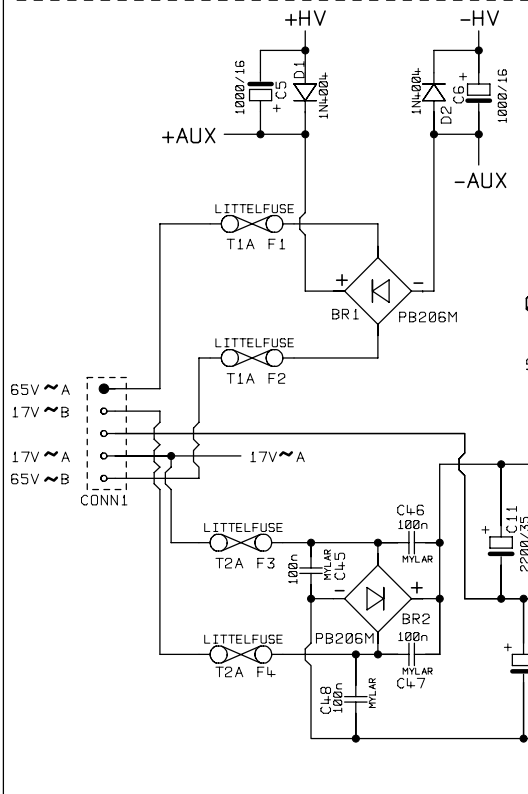
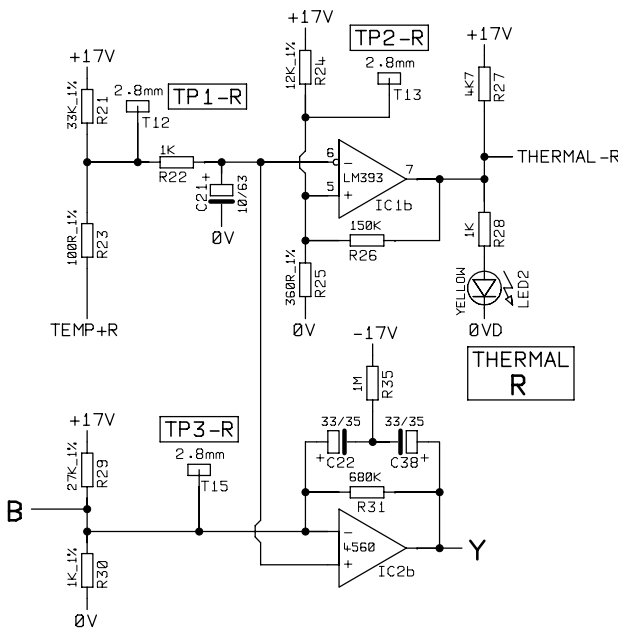
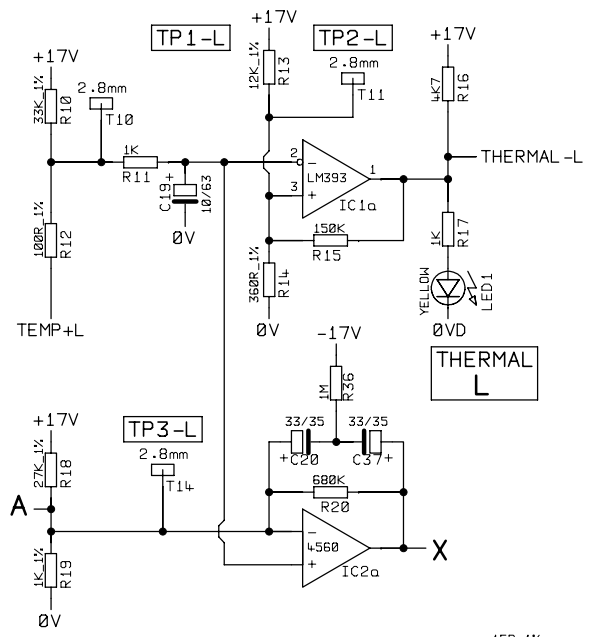
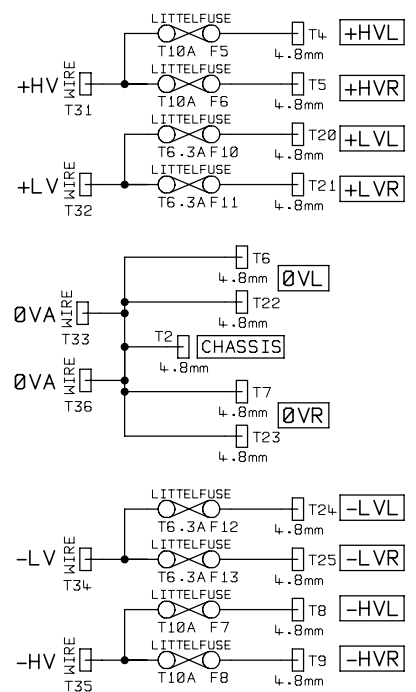
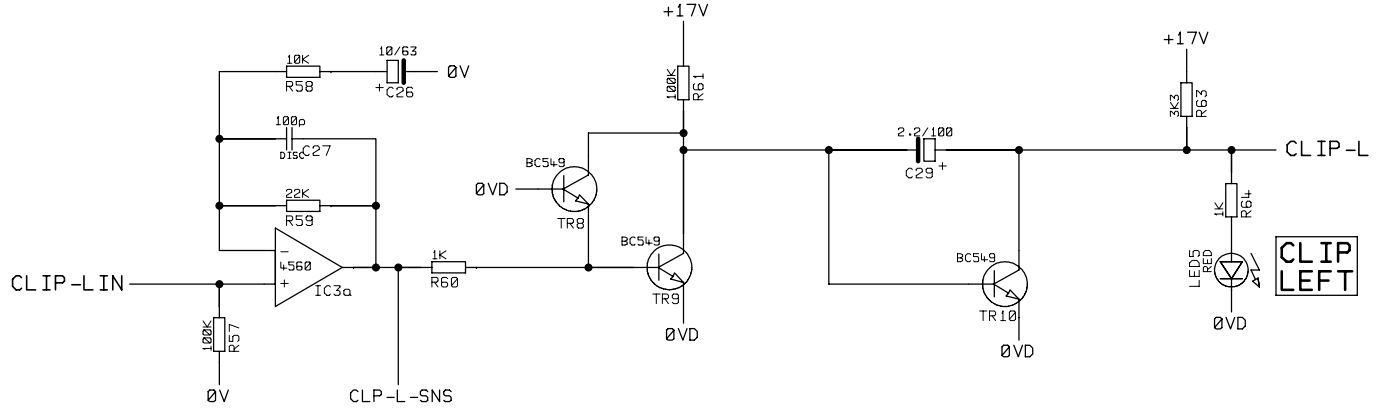
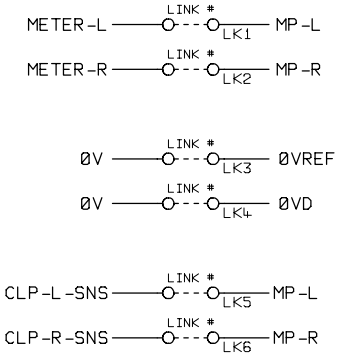
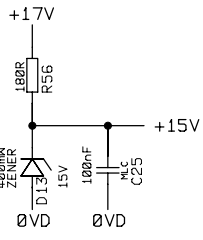


LOCATED ON SUB BOARD



REV A - R14 & R25 CHANGED FROM 430R_1% TO 360R_1%
R13 & R24 CHANGED FROM 15K_1% TO 12K_1%

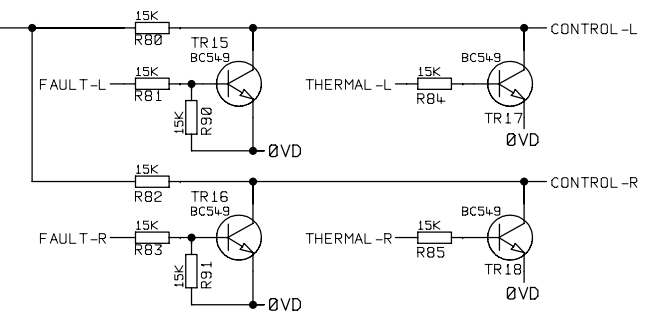
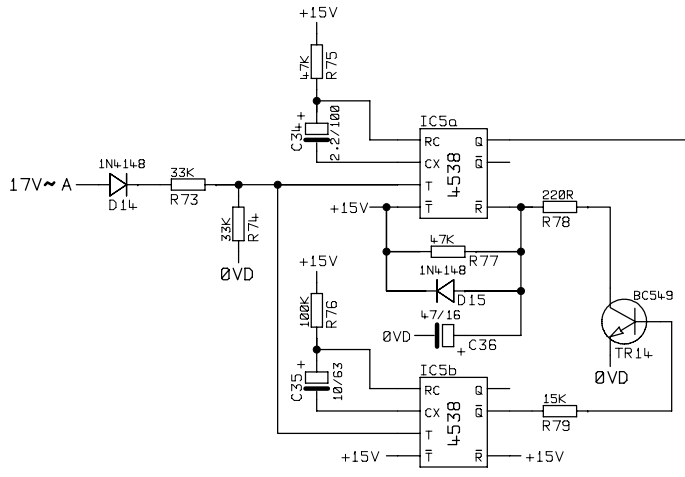
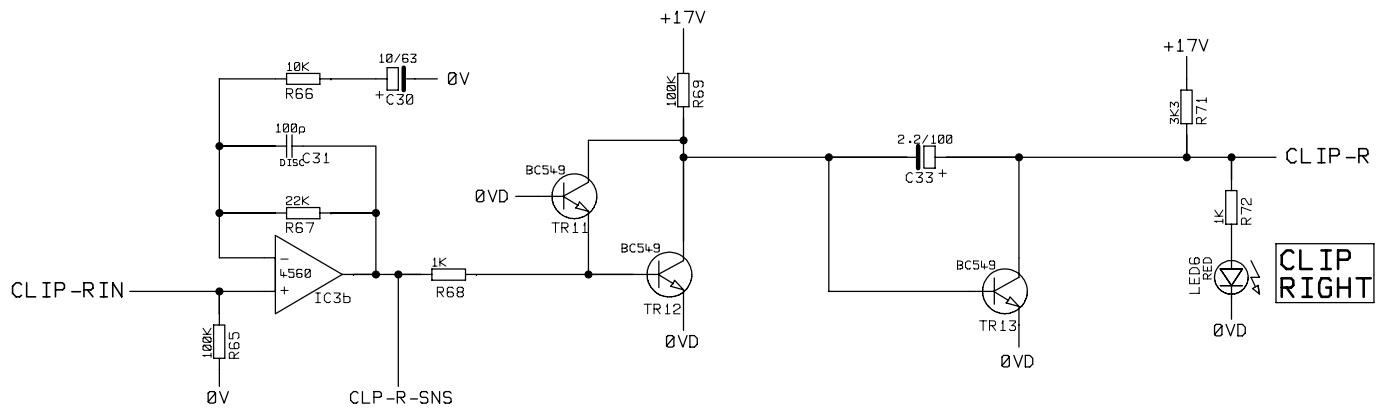
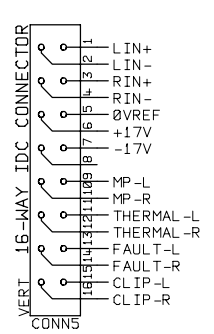
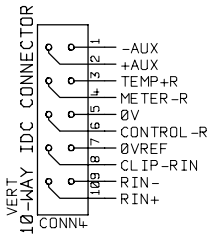
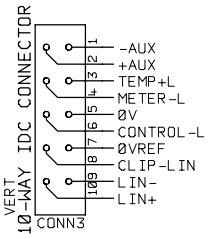
STUDIOMASTER DIAMOND LTD		TITLE	AMPLIFIER PSU CIRCUIT			FILE NAME	R2C20A-2.DGM	
PRODUCT	1600D 2000E	PART 1 OF 2				ISSUE No	R2C20A-2	
VERSIONS		DRN BY	P.A.	DATE	22-09-99	REV A		



TO LEFT AMP

TO RIGHT AMP

TO IN-OUT BOARD



STUDIOMASTER DIAMOND LTD		TITLE	AMPLIFIER PSU CIRCUIT		FILE NAME	R2C20B-2.DGM	
PRODUCT	1600D 2000E	PART 2 OF 2			ISSUE No	R2C20B-2	
VERSIONS		DRN BY	P.A.	DATE	22-09-99	REV A	

REV A - SEE R2C20A FOR DETAILS