

# PB 100, Artist and Imperial

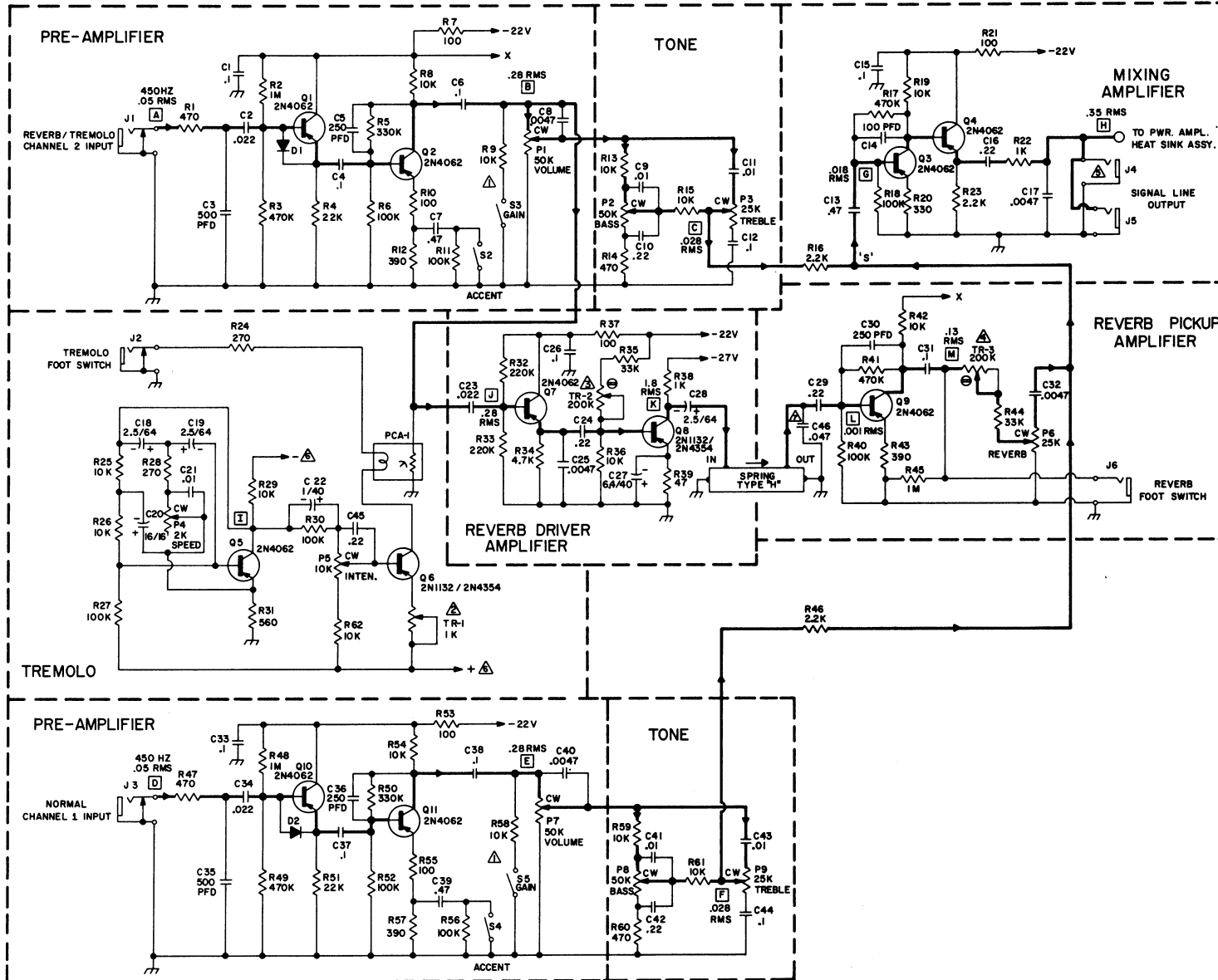
## SERVICE INFORMATION

*"Quality Speaks for Itself"*



EL MONTE • CALIFORNIA • 91731





- NOTES:**
- = INDICATES KEY SIGNAL TRACING TEST POINTS.
  - 'S' = CHANNEL 1, CHANNEL 2 AND REVERB SIGNAL SUMMING POINTS.
  - INDICATES MAIN SIGNAL PATHS.
  - PI-P9, S2-S5, J1-J3 & J6 ARE LOCATED ON FRONT PANEL AND CONNECT TO BOARD VIA LEAD OUT WIRES.
  - J4, J5 ARE LOCATED ON REAR PANEL.
  - ALL CAPACITORS ARE RATED IN MFD AND AT 100V UNLESS NOTED.
  - ALL RESISTORS 1/2W 5% UNLESS NOTED.
  - △ S3, S5, R9, R58 ARE USED ONLY ON CUSTOM AND MC II MODELS.
  - △ ADJ. TR-1 (TREMLO SENSITIVITY) TILL TREMLO JUST STOPS WITH INTENSITY CONTROL. OFF.
  - △ ADJ. TR-2 (REVERB DRIVER) FOR 10V D.C. ACROSS R 38.
  - △ ADJ. TR-3 (REVERB SENSITIVITY) FOR MAXIMUM REVERB WITHOUT FEED BACK.
  - ⊖ INDICATES SCREW DRIVER ADJ.
  - △ USED ONLY ON MC II MODEL.
  - △ MC II : 35V, STUDIO: 40V, CUSTOM : 45V, MC II GP: 45V.
  - △ USED ONLY ON MC II GP MODEL.

