

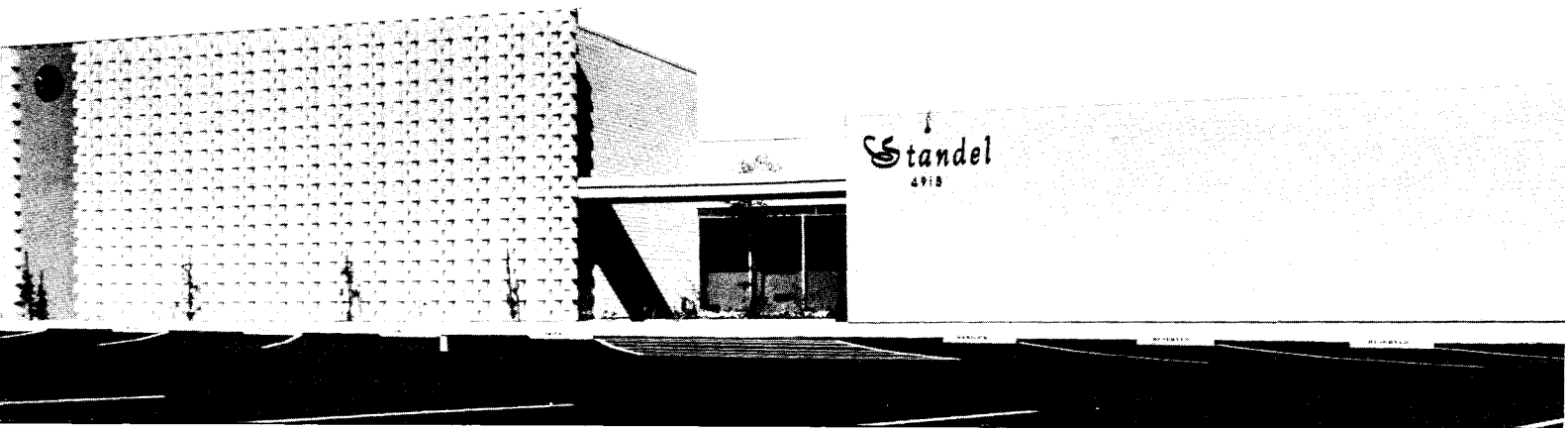
Custom and Studio Bass

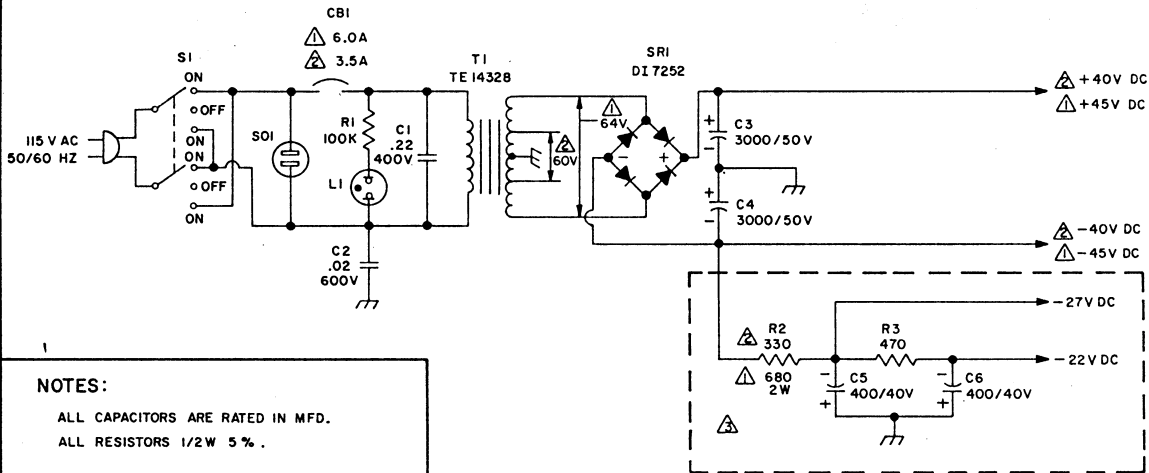
SERVICE INFORMATION

"Quality Speaks for Itself"



EL MONTE • CALIFORNIA • 91731





NOTES:

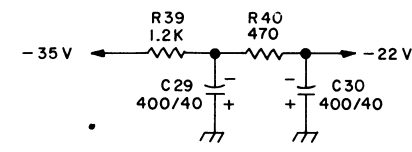
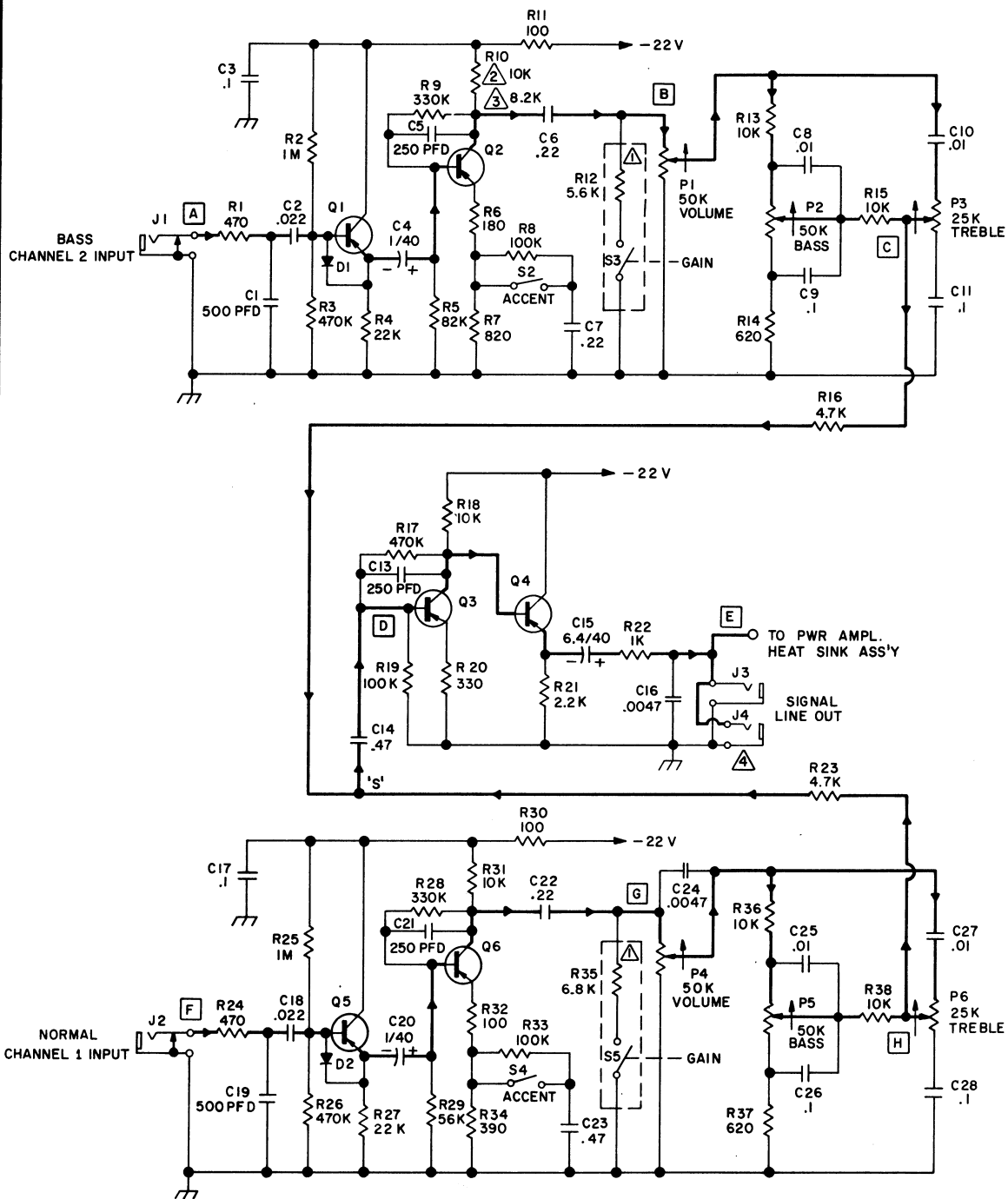
ALL CAPACITORS ARE RATED IN MFD.
 ALL RESISTORS 1/2W 5% .

- ⚠ VALUES USED ON CUSTOM, MC2GP & MC2BP MODELS.
- ⚠ VALUES USED ON STUDIO MODELS.
- ⚠ NOT USED IN BASS MODELS.

Standel.

SCHEMATIC DIAGRAM
 1970
 POWER SUPPLY
 ALL CUSTOM ,STUDIO , MC2GP & MC2BP MODELS.

DRAFTSMAN	CHECKED	APR	DATE	
H.M.M.	M.D.B.	R.G.H.	2-20-70	1B001



- NOTES:
- = INDICATES KEY SIGNAL TRACING TEST POINTS.
 - 'S' = CHANNEL 1, CHANNEL 2 SIGNAL SUMMING POINT.
 - INDICATES MAIN SIGNAL PATHS.
 - P1-P6, S2-S5, J1, J2 ARE LOCATED ON FRONT PANEL AND CONNECT TO BOARD VIA LEAD OUT WIRES.
 - J3, J4 ARE LOCATED ON REAR PANEL.
 - ALL CAPACITORS ARE RATED IN MFD AND AT 100V UNLESS NOTED.
 - ⚠ S1, S4, R12, R35 ARE USED ONLY ON CUSTOM AND MC II MODELS.
 - ⚠ VALUES USED ON CUSTOM AND MC II MODELS.
 - ⚠ VALUES USED ON STUDIO MODELS.
 - ALL RESISTORS 1/2 WATT 5% UNLESS NOTED.
 - ⚠ USED ONLY ON MC II MODEL.

Standel.

SCHMATIC DIAGRAM
MAIN CIRCUIT BOARD
FOR
ALL BASS MODELS

DRAFTSMAN H.M.	CHECKED M.D.B.	APP R.G.H.	DATE 2-3-70	IC003
-------------------	-------------------	---------------	----------------	-------