

CUBE 15

CUBE 30

ADDITIONAL SERVICE NOTES

*Second edition
Issued by RJA*

CHANGE INFORMATION

We can supply the spare parts mounted on PWB board.
Please refer to following items.

PARTS LIST(CUBE-15).....	2	CIRCUIT DIAGRAM(CUBE-30)-3.....	10
PARTS LIST(CUBE-30).....	3		
CIRCUIT BOARD(CUBE-15).....	4		
CIRCUIT DIAGRAM(CUBE-15).....	5		
CIRCUIT BOARD(CUBE-30).....	6		
CIRCUIT DIAGRAM(CUBE-30).....	8		
CIRCUIT DIAGRAM(CUBE-30)-1.....	8		
CIRCUIT DIAGRAM(CUBE-30)-2.....	9		



Copyright © 2003 ROLAND CORPORATION

All rights reserved. No part of this publication may be reproduced in any form without the written permission of ROLAND CORPORATION.

PARTS LIST(CUBE-15)

SAFETY PRECAUTIONS:

The parts marked Δ have safety-related characteristics. Use only listed parts for replacement.

CONSIDERATION ON PARTS ORDRING

When ordering any parts listed in the parts list, please specify the following items in the order sheet.

	QTY	PART NUMBER	DESCRIPTION	MODEL NUMBER
Ex.	10	22575241	Sharp Key	C-20/50
	15	2247017300	Knob (orange)	DAC-15D

Failure to completely fill the above items with correct number and description will result in delayed or even undelivered replacement.

NOTE: The parts marked # are new. (initial parts)

IC

Δ	SD000236	L78L08	IC (VOLTAGE REGULATOR)	IC7
Δ	SD000237	L79L08	IC (VOLTAGE REGULATOR)	IC8
Δ	SD000235	TDA2050V	IC (POWER AMP)	IC6
	SD000375	NJM072BD	IC (OP AMP)	IC1-5

TRANSISTOR

	15129151	2SC1815-GR(TPE2)	TRANSISTOR	Q5,6,9,10,12
	15129152	2SC2878-A(TPE2)	TRANSISTOR	Q13
	15139112	2SK246-GR	FET TRANSISTOR	Q1
	01678212	2SK2880-T12-E	FET TRANSISTOR	Q1-4,7,11

DIODE

	15019126	1SS133 T-77	SWITCHING DIODE	D1-16,18,20,22,24,29,30
Δ	SD000239	1N4007G 1A 1000V P=10MM	DIODE	D23,D25-28
	SD000376	FAI3 GREEN	DIODE	LED1
	SD000045	LED RED		LED2

RESISTOR

Δ	SD000377	1/2W 10	METAL OXIDE RESISTOR	R81,R83
Δ	SD000378	2W 0.1	METAL OXIDE RESISTOR	R89
Δ	SD000379	3W 120	METAL OXIDE RESISTOR	R80
Δ	SD000240	6.8 OHM 1/2W	METAL OXIDE RESISTOR	R75

CAPACITOR

Δ	SD000247	PY17FY472ML0 4700P/250V	LINE CAPACITOR (PRI)	C77
Δ	SD000380	2200/25V	ELECTORIC CAPACITOR	C75,80

FUSE,FUSE HOLDER

Δ	SD000251	FC-201	FUSE HOLDER	
----------	----------	--------	-------------	--

CONNECTOR

Δ	13369586	B3P-VH	CONNECTOR	CN5
Δ	SD000252	352-TX119	AC TERMINAL	T4,5

WIRING, CABLE

	SD000386	WIRING	W6 GND CABLE	G3 to CHASSIS
	SD000385	WIRING	W3 SPEAKER CABLE BLACK	SP2 to SPEAKER -
Δ	SD000383	WIRING	W3 AC SWITCH CABLE BLACK	P6 to AC SWITCH
	SD000384	WIRING	W2 SPEAKER CABLE RED	SP1 to SPEAKER +
Δ	SD000382	WIRING	W2 AC SWITCH CABLE RED	P7 to AC SWITCH
	SD000381	WIRING	W1 (P=2.0MM 5P FLATCABLE)	CN1 to CN2

PARTS LIST(CUBE-30)

SAFETY PRECAUTIONS:

The parts marked Δ have safety-related characteristics. Use only listed parts for replacement.

CONSIDERATION ON PARTS ORDRING

When ordering any parts listed in the parts list, please specify the following items in the order sheet.

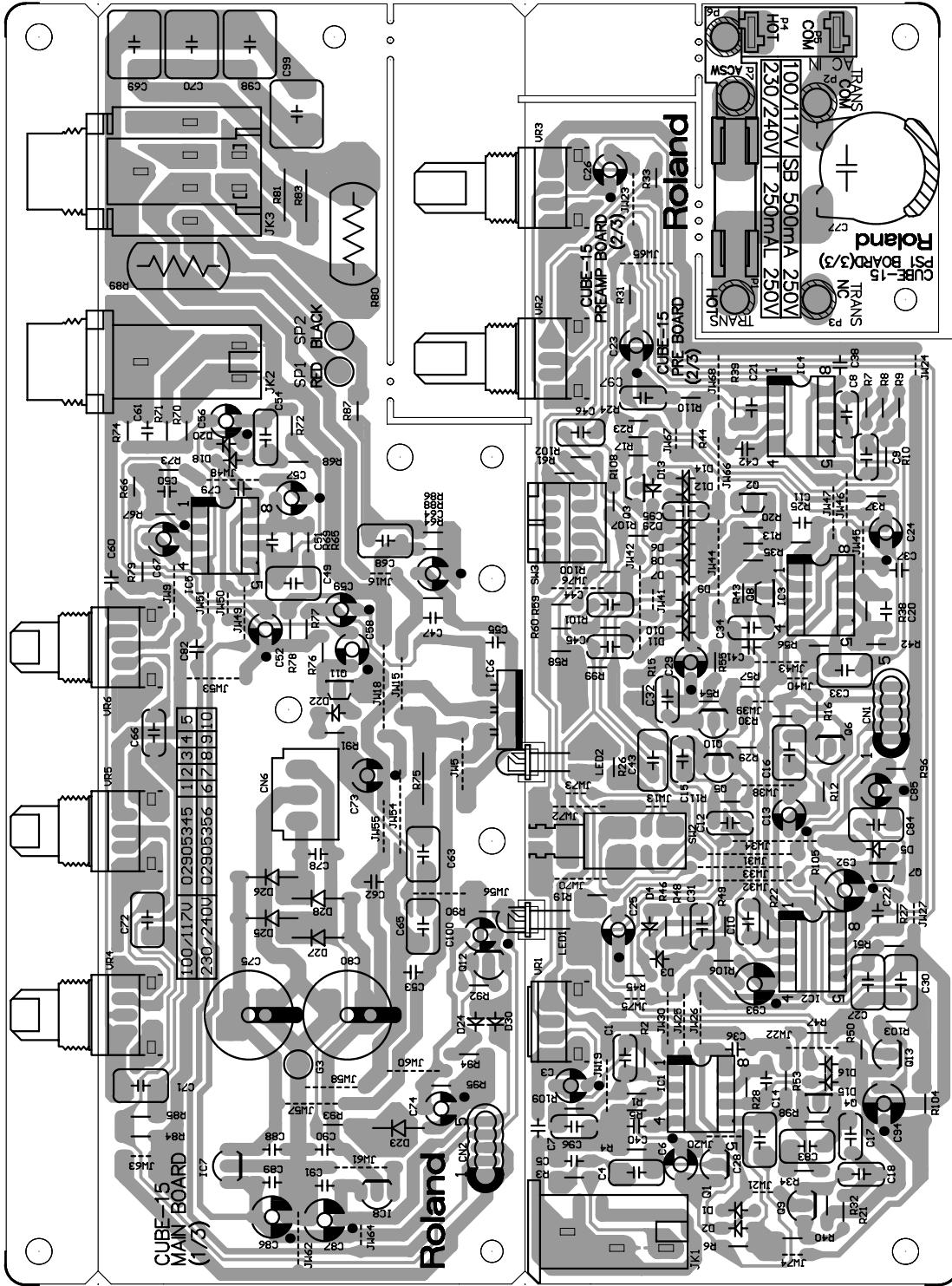
Ex.	QTY	PART NUMBER	DESCRIPTION	MODEL NUMBER
	10	22575241	Sharp Key	C-20/50
	15	2247017300	Knob (orange)	DAC-15D

Failure to completely fill the above items with correct number and description will result in delayed or even undelivered replacement.

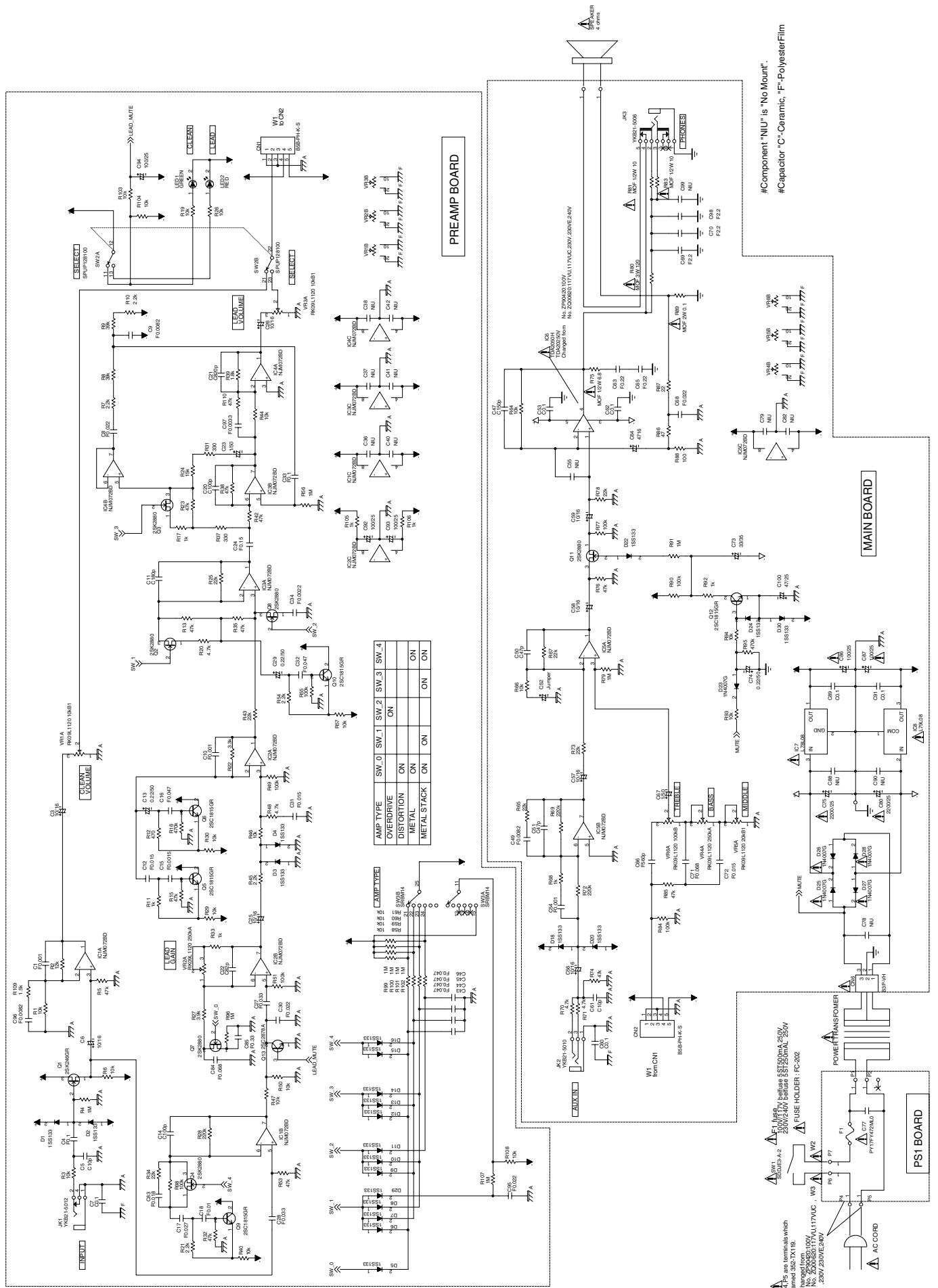
NOTE: The parts marked # are new. (initial parts)

IC						
	Δ	03235978	2933A	IC (VOLTAGE REGULATOR)	IC12	1
	Δ	SD000236	L78L08	IC (VOLTAGE REGULATOR)	IC13	1
	Δ	SD000237	L79L08	IC (VOLTAGE REGULATOR)	IC14	1
		02897778	S-80130ALMC-JAP-T2	IC (RESET)	IC9	1
	Δ	SD000235	TDA2050V	IC (POWER AMP)	IC6	1
		15289154	UPC4072G2-E1	IC (JFET OP)	IC1,3	2
		02565501	TC220CCA0AF-B01(MR3)	IC (DSP)	IC7	1
#		03015201	MN101C30AMW	IC (CPU)	IC8	1
		00346445	NJM2100M(TE3)	IC (BIPOLAR OP AMP)	IC2	1
		02451434	AK4552VT	IC (AD/DA)	IC4	1
TRANSISTOR						
		15319107	2SC4116-GR(TE85R)	TRANSISTOR	Q2-5	4
		15329103T0	2SK880-GR(TE85R)	FET	Q1	1
DIODE						
		15339119T0	1SS352(TPH3)	SWITCHING DIODE	D12,15	2
		01019534	1SS355 TE-17	SWITCHING DIODE	D3	1
#		SD000388	FAI 3 GREEN	LED	D13	1
	Δ	SD000239	1N4007G 1A 1000V P=10MM	DIODE	D23,D25-28	1
	Δ	SD000238	KBP202 2A 100V	BRIDGE DIODE	D8	1
		15339120T0	1SS302(TE85R)	ARRAY DIODE	DA1-4	4
		SD000045	LED RED		D14	1
RESISTOR						
	Δ	SD000243	270 OHM 3W	METAL OXIDE RESISTOR	R107	1
#	Δ	SD000389	2W 470	METAL OXIDE RESISTOR	R15,17	2
	Δ	SD000241	47 OHM 2W	METAL OXIDE RESISTOR	R85	1
	Δ	SD000240	6.8 OHM 1/2W	METAL OXIDE RESISTOR	R28,49	2
CAPACITOR						
	Δ	SD000246	EC8472MH 4700P/250V	LINE CAPACITOR (SEC)	C88	1
	Δ	SD000247	PY17FY472ML0 4700P/250V	LINE CAPACITOR (PRI)	C99	1
	Δ	SD000244	1000/50	ELECTROLYTIC CAPACITOR	C107	1
	Δ	SD000245	4700/25	ELECTROLYTIC CAPACITOR	C83,90	2
#	Δ	SD000390	100UF/25V	ELECTORIC CAPACITOR	C85,87,89	3
#	Δ	SD000391	220UF/25V	ELECTORIC CAPACITOR	C82	1
	Δ	01455212	MA-406 11.2896MHZ	CRYSTAL	X1	1
	Δ	01568889	MA-406 8.00MHZ	CRYSTAL	X2	1
FUSE,FUSE HOLDER						
	Δ	SD000251	FC-201	FUSE HOLDER	F1	2
CONNECTOR						
		13369570	B2B-PH-K-S (2P)	CONNECTOR	CN11,10	2
	Δ	13369586	B3P-VH	CONNECTOR	CN4	1
		13369668	S8B-PH-K-S JST (8P)	CONNECTOR	CN5	1
	Δ	SD000252	352-TX119	AC TERMINAL	T5,7	2
WIRING, CABLE						
#		SD000387	WIRING	W7 SPEAKER CABLE BLACK	SP2 to SPEAKER -	1
#		SD000386	WIRING	W6 GND CABLE	SP1 to SPEAKER +	1
		SD000254	WIRING W2	(8P 60MM)	CN2 to CN5	1
		SD000253	WIRING W1	(2P 110MM W/SHIELD)	CN11 to CN10	1
	Δ	SD000256	WIRING W4	(1P 70MM RED)	T8 to AC SWITCH	1
	Δ	SD000257	WIRING W5	(1P 70MM BLACK)	T6 to AC SWITCH	1
		SD000258	WIRING W8 W9	(1P 150MM BLACK)	T4 to CHASSIS	1
		SD000258	WIRING W8 W9	(1P 150MM BLACK)	T3 to CHASSIS	1
		SD000255	WIRING W3	(11P 130MM FLAT)	CN1 to CN6	1

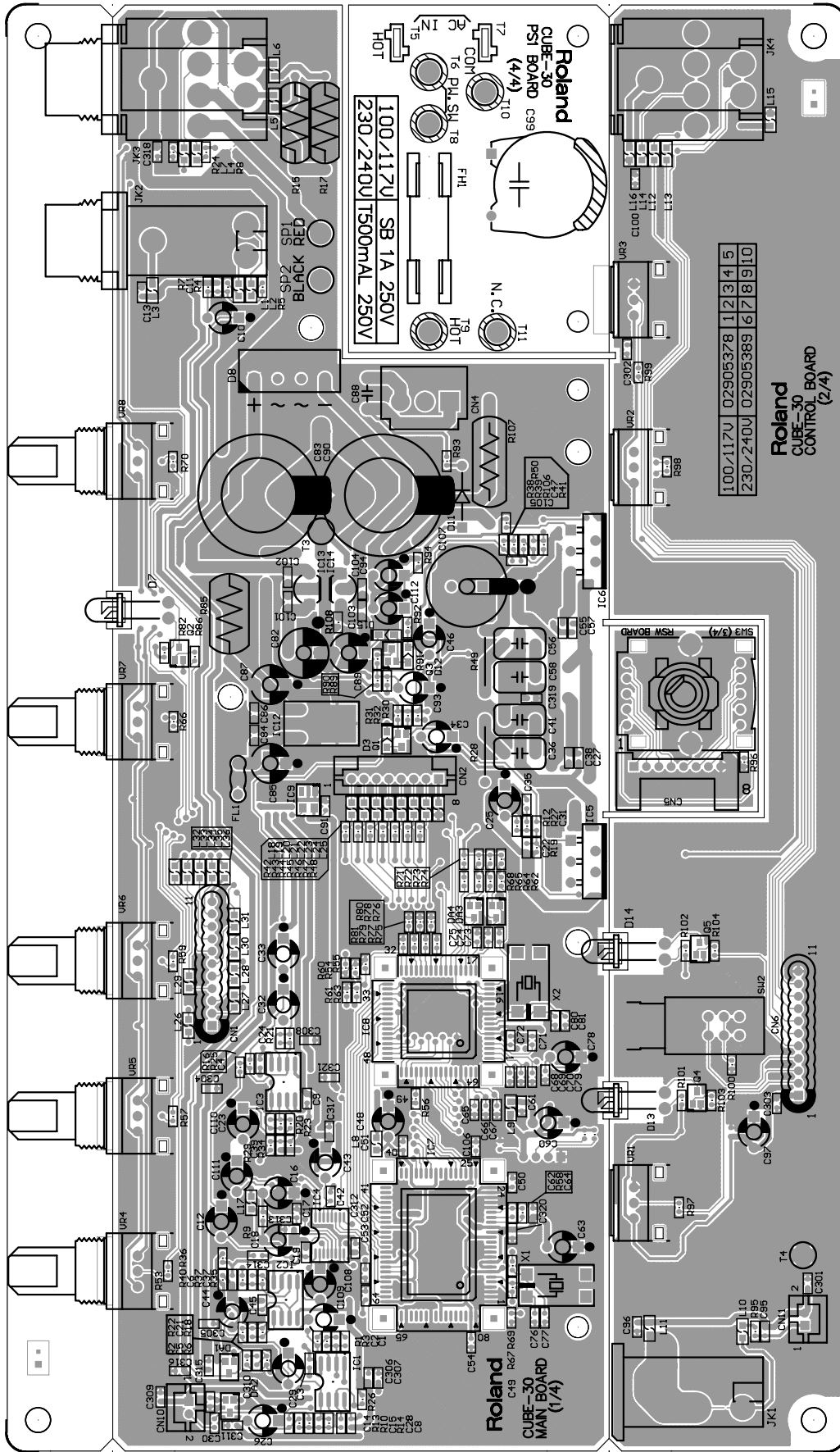
CIRCUIT BOARD(CUBE-15)

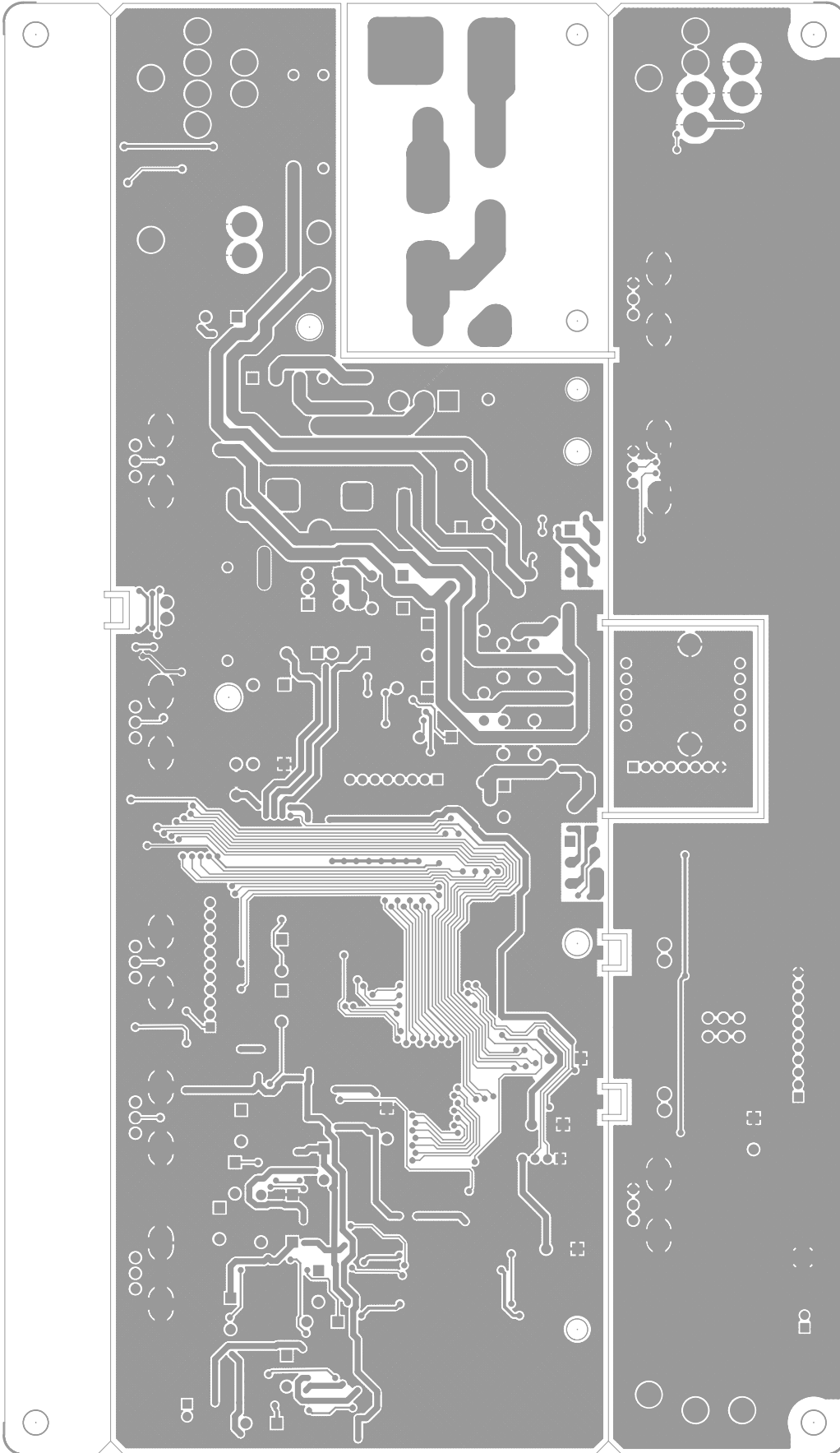


CIRCUIT DIAGRAM(CUBE-15)

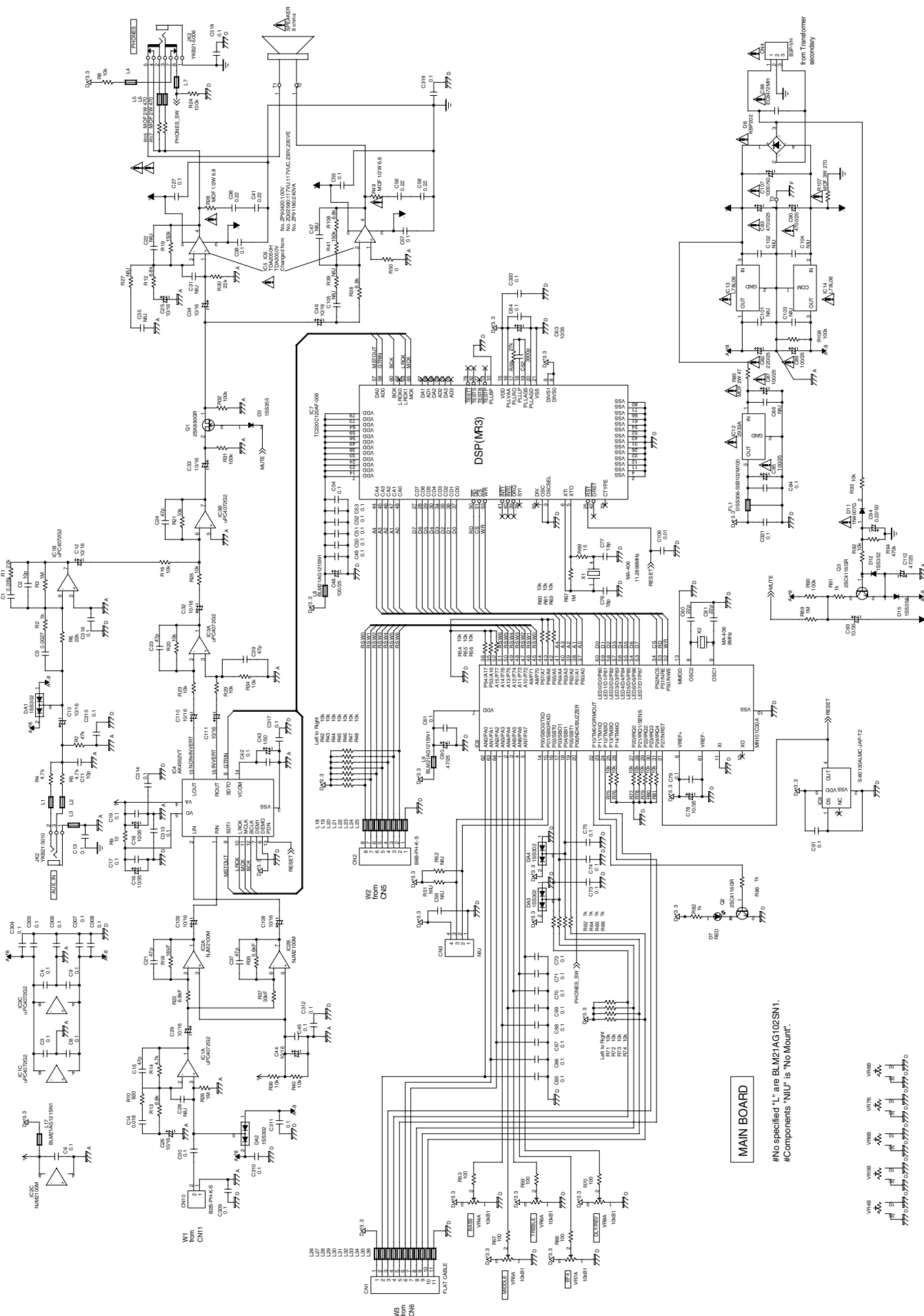


CIRCUIT BOARD(CUBE-30)





CIRCUIT DIAGRAM(CUBE-30)-1

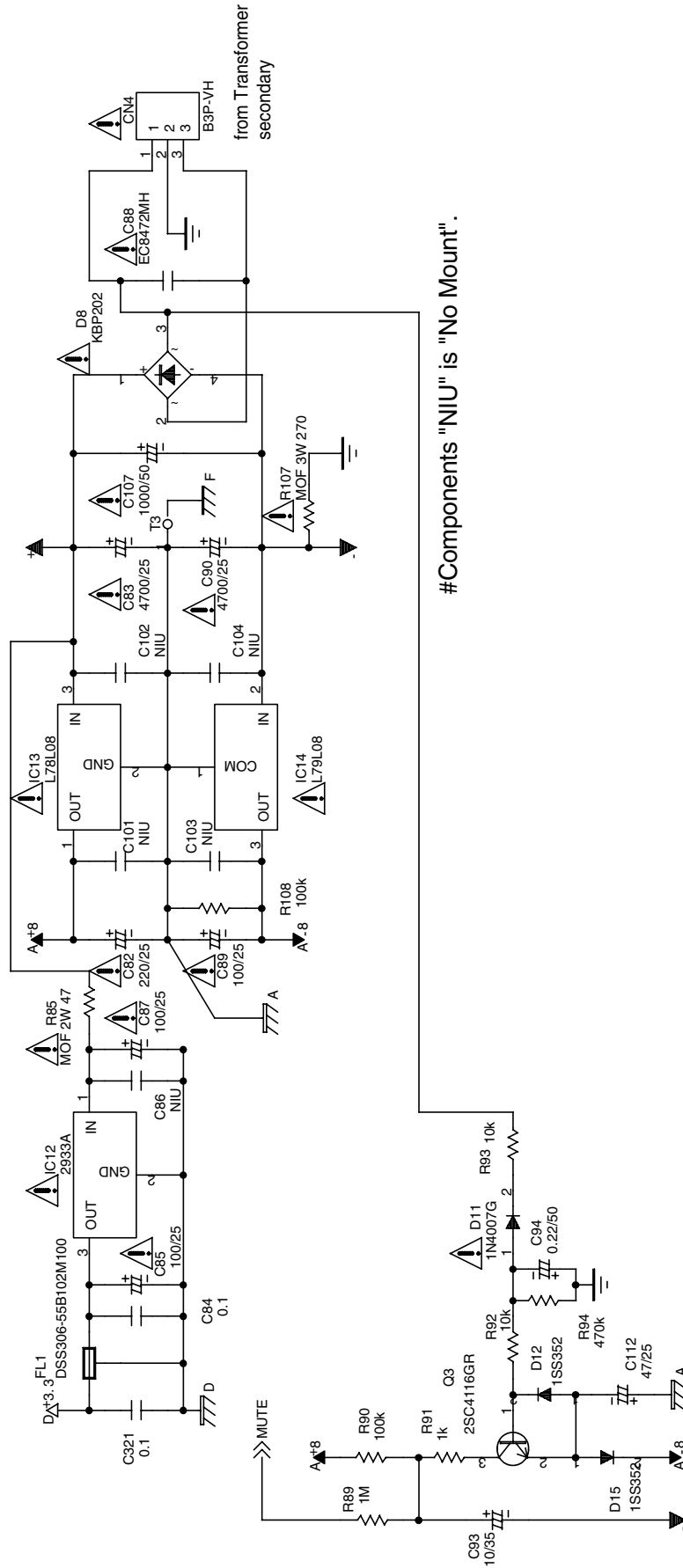


MAIN BOARD

#No specified "L" are BLM21AG102SN1.
#Components "NU" is "No Mount".

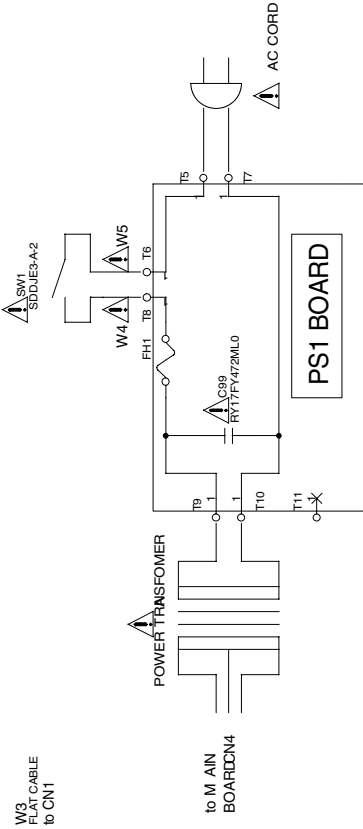
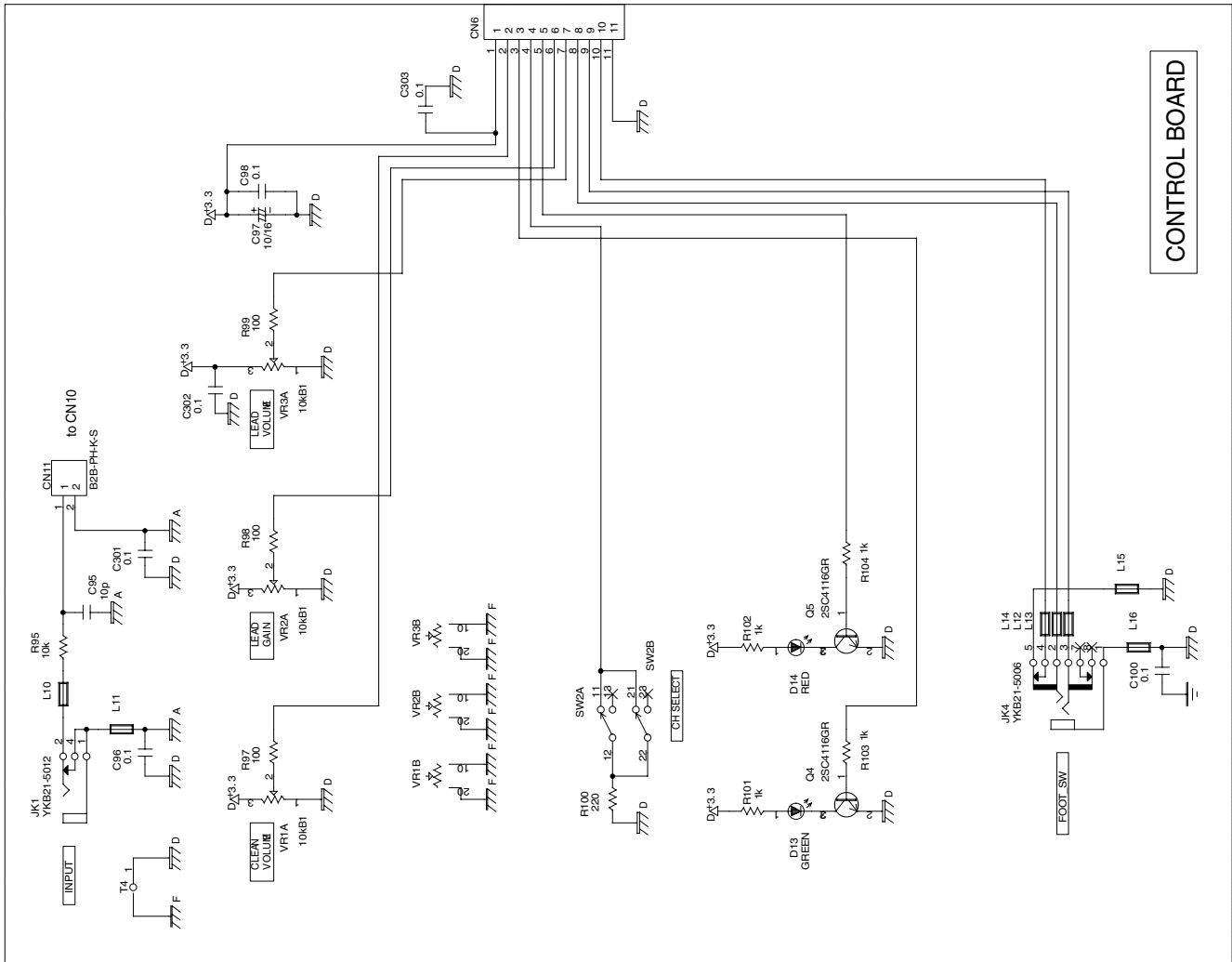
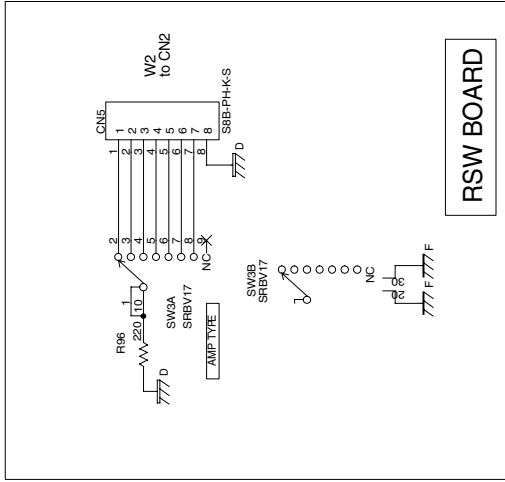


CIRCUIT DIAGRAM(CUBE-30)-2



#Components "NIU" is "No Mount".

CIRCUIT DIAGRAM(CUBE-30)-3



F1 F USE
 100V/117V beiju se 55TJA.250V
 230V/240V beifuse 55T500mA.L 250V

FUSE HOLDER FC-202

T5, T7 are terminals which
 named 352 -TX119.
 Changed from
 No. ZP904 20-100V
 No. ZP905 20-100V
 No. ZP916 0240VA 1 17VUC.230V.230VE

#No specified "L" are BLM21AG102SN1.