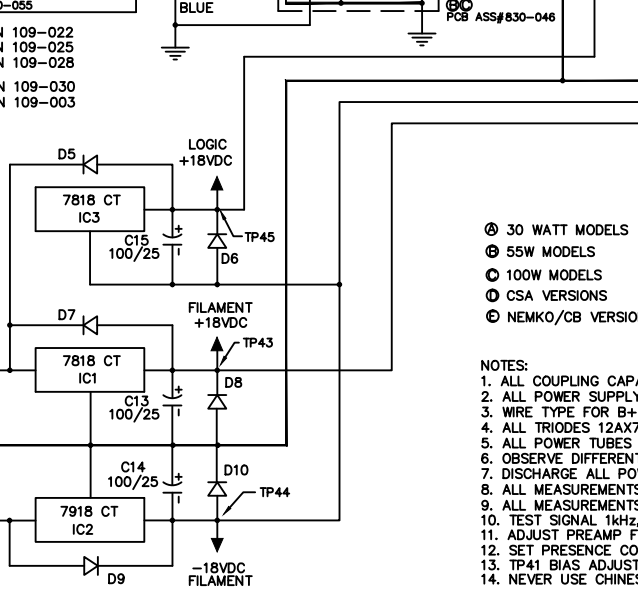
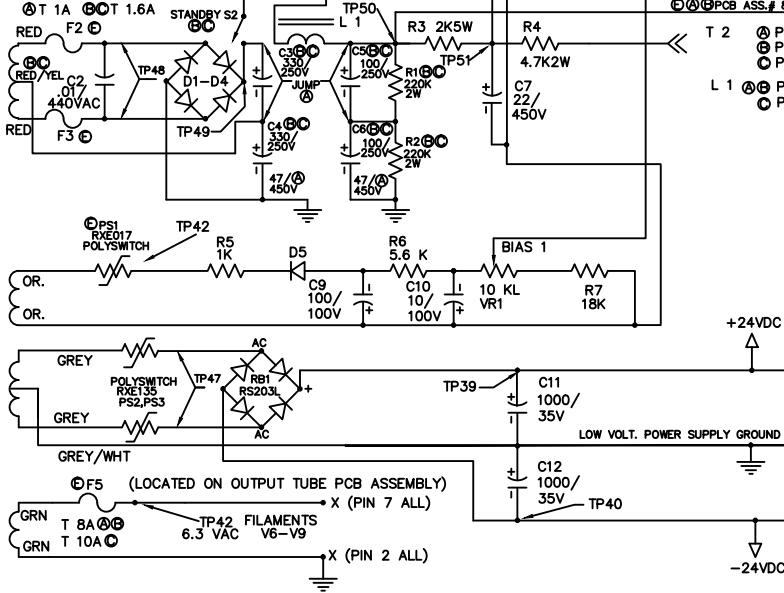
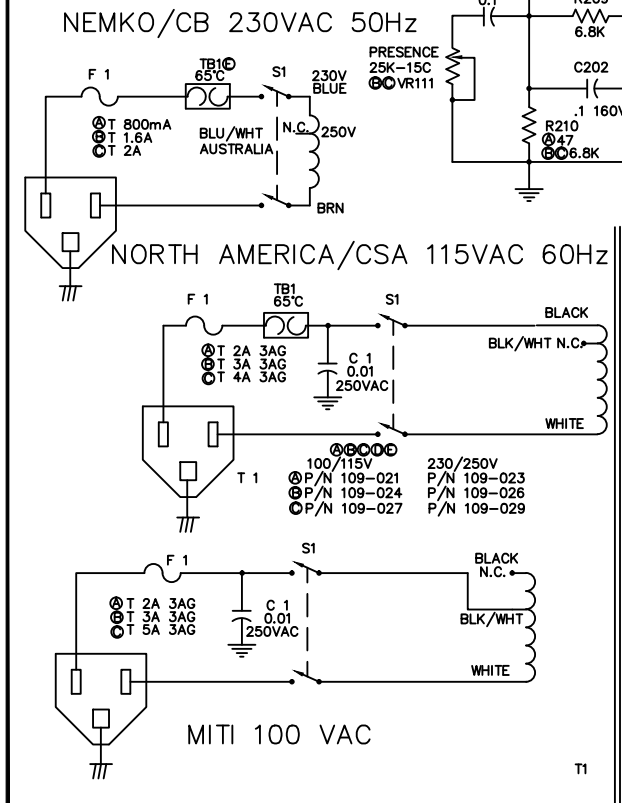
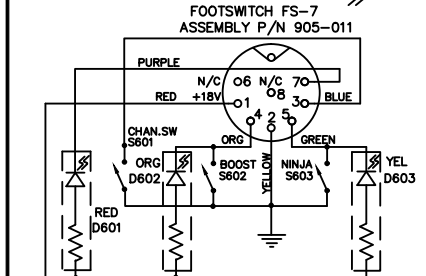


PCB ASS# 830-048
PCB ASS# 830-049 (COMPACT 30)

FOOTSWITCH JACK
SIGNAL GROUND (LOCATED ON PATCH/EFFECTS LOOP PCB ASSEMBLY)

CH.1 = RED
BOOST = ORANGE
NINJA = YELLOW

FOOTSWITCH FS-7
ASSEMBLY P/N 905-011



- ⊙ 30 WATT MODELS
- ⊙ 55W MODELS
- ⊙ 100W MODELS
- ⊙ CSA VERSIONS
- ⊙ NEMKO/CB VERSIONS

- NOTES:
1. ALL COUPLING CAPACITORS MPC TYPE
 2. ALL POWER SUPPLY FILTER CAPS 105C TYPE
 3. WIRE TYPE FOR B+ AND FILAMENTS 105C, TEFLON PREFERRED
 4. ALL TRIODES 12AX7A TYPE
 5. ALL POWER TUBES SHOULD BE REPLACED IN TESTED PAIRS
 6. OBSERVE DIFFERENT GROUND POTENTIALS
 7. DISCHARGE ALL POWER SUPPLY POINTS BEFORE SERVICING
 8. ALL MEASUREMENTS TAKEN AT NOMINAL MAINS VOLTAGE
 9. ALL MEASUREMENTS ± 20%
 10. TEST SIGNAL 1kHz, 25 mVAC AT PREAMP INPUT
 11. ADJUST PREAMP FOR 2 VOLTS AC AT TP31/21
 12. SET PRESENCE CONTROL AT 1
 13. TP41 BIAS ADJUST: -37VDC EL-34, -47 6L6GC, -52 6550A
 14. NEVER USE CHINESE OUTPUT TUBES. MECHANICALLY UNSTABLE

DRAWN BY PAUL E. RIVERA
LAST REV: 08.18.93



R-SERIES GUITAR AMPLIFIER
30/55/100W MODELS C:\ACAD\SCHEM\GSERIES

Note: TP14/15 measured with load.