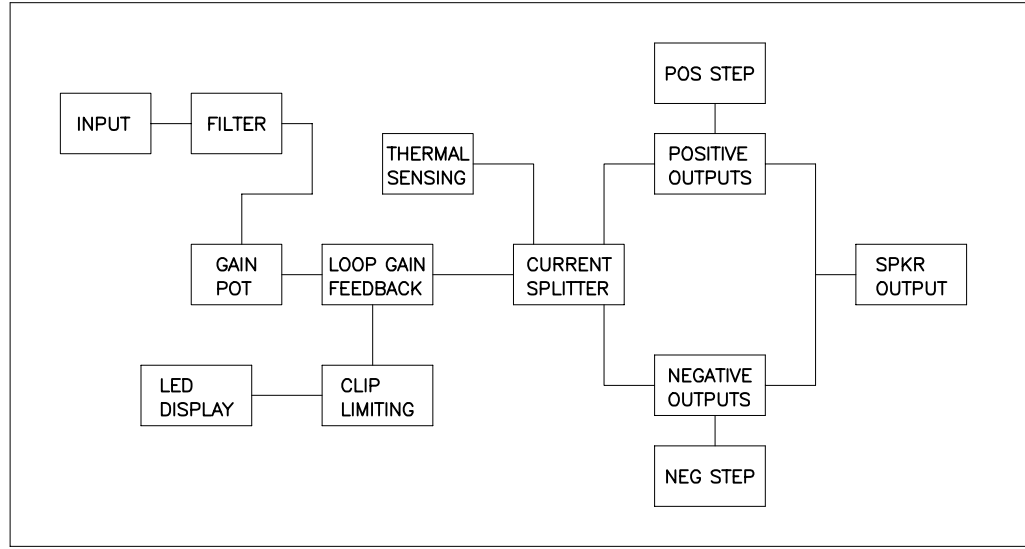
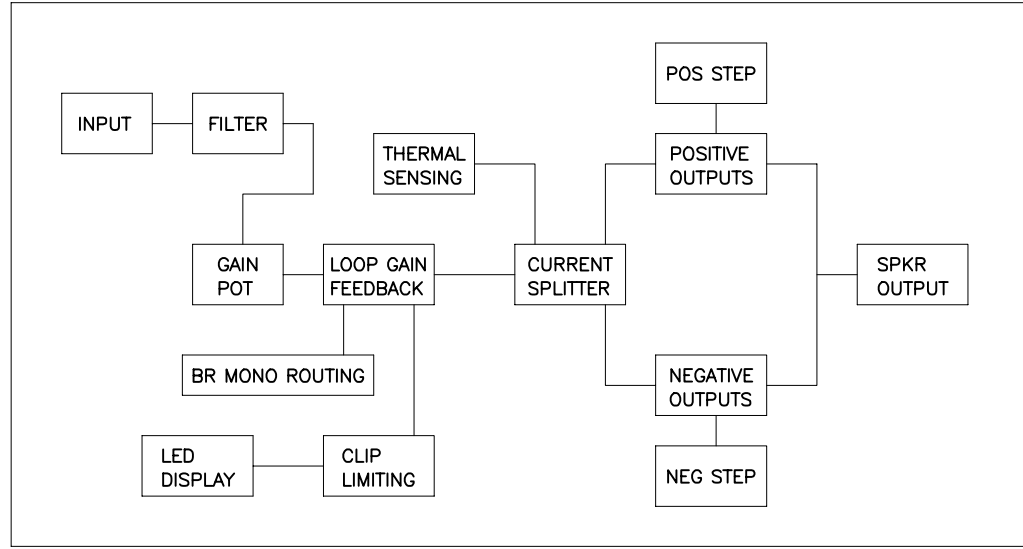


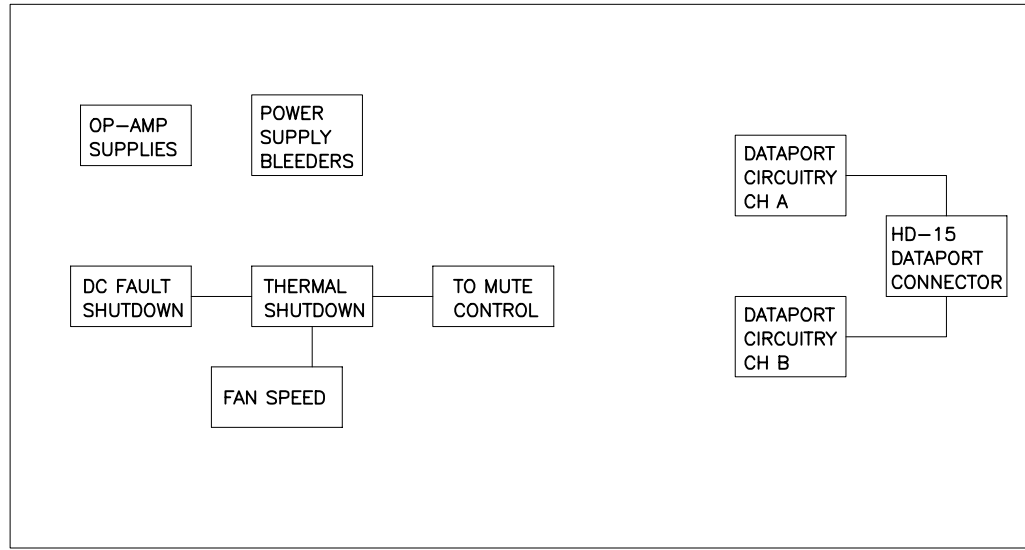
THIS DOCUMENT CONTAINS PROPRIETARY INFORMATION WHICH IS THE PROPERTY OF QSC AUDIO PRODUCTS, THAT MAY NOT BE DISCLOSED, REPRODUCED OR USED WITHOUT EXPRESS WRITTEN CONSENT FROM QSC AUDIO PRODUCTS.



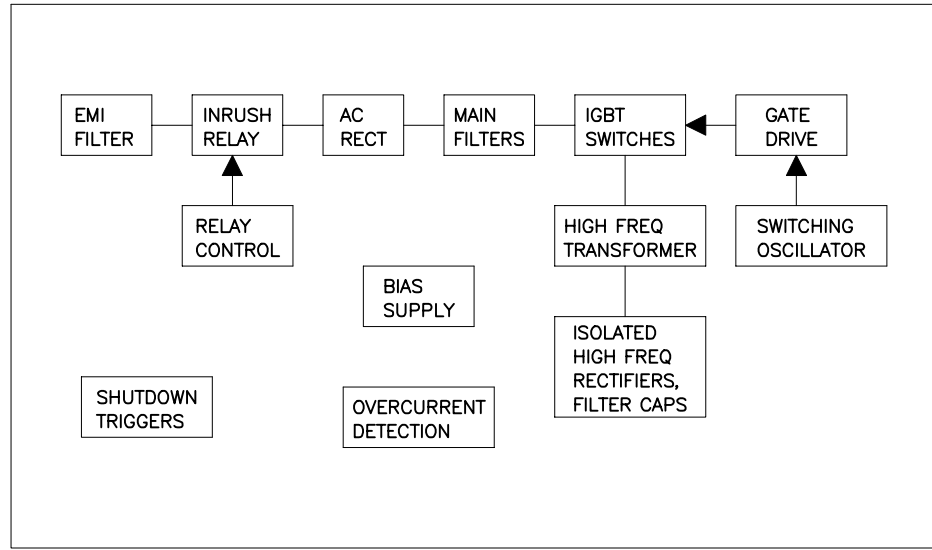
CHANNEL A
AUDIO CIRCUITS
SHEET 2



CHANNEL B
AUDIO CIRCUITS
SHEET 3



SUPPORT,
PROTECTION
AND DATAPORT
CIRCUITS
SHEET 4



SWITCHING
POWER
SUPPLY
SHEET 5

TABULATION BLOCK			
DASH NO.	F1	1	R321, 322, 326, 328 2
-00 (120V)	25A, 125V		487K
-01 (100V)	25A, 125V		392K
-02 (230V)	15A, 250V		487K

QTY	ITEM NO.	PART NO.	DESCRIPTION	VENDOR
PARTS LIST				
UNLESS OTHERWISE SPECIFIED DIMENSIONS ARE IN INCHES. DIMENSIONS PER ANSI Y14.5-1982 TOLERANCES ARE: DECIMALS DECIMALS ANGLES .XX ± .XXX ± ° DEBURR EDGES .XXX R MAX MATERIAL			CONTRACT NO.	
FINISH			APPROVALS	DATE
NEXT ASSY USED ON			DRAWN PAT QUILTER	5-15-98
APPLICATION			CHECKED R. BECKER	2-10-99
DO NOT SCALE DRAWING			ISSUED T. SHOOK	2-10-99
CAD SEED FILE NO.			PLOT DATE: Thu, May 04, 2000	SCALE NONE
APPLICATION			CAD FILE NO. SH14001C.sch	SHEET 1 OF 5

QSC AUDIO PRODUCTS, INC.
COSTA MESA, CALIFORNIA

SCHEMATIC DIAGRAM
CX702

DWG NO. **SH-014001-00**

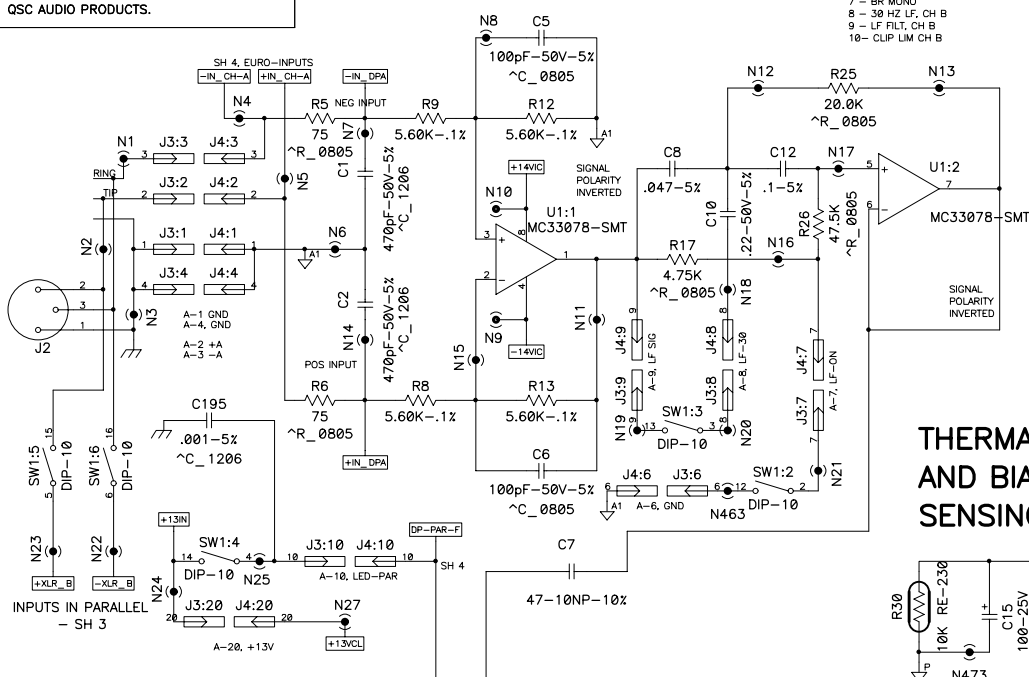
2. COMPONENTS WITH VALUE PREFIXED WITH A "*" REPRESENT SMT COMPONENTS.
1. THIS DRAWING USED IN CONJUNCTION WITH ASSEMBLY WP-014001-XX.
NOTES: UNLESS OTHERWISE SPECIFIED

DWG NO. SH-014001-00

REV 1

THIS DOCUMENT CONTAINS PROPRIETARY INFORMATION WHICH IS THE PROPERTY OF QSC AUDIO PRODUCTS, THAT MAY NOT BE DISCLOSED, REPRODUCED OR USED WITHOUT EXPRESS WRITTEN CONSENT FROM QSC AUDIO PRODUCTS.

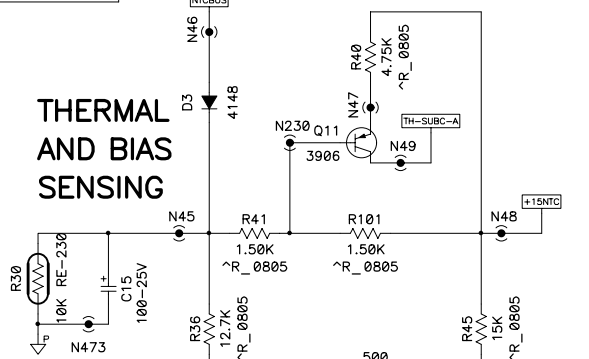
INPUT AND FILTER SECTION, CH A



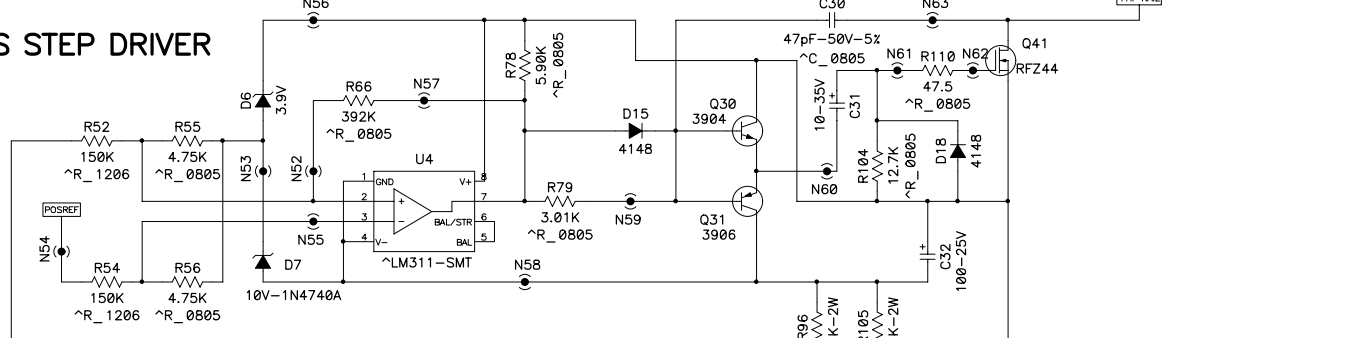
DIP SWITCH TABLE, 10-POS

- 1 - CLIP LIM, CH-A
- 2 - LF FILT, CH-A
- 3 - 30 HZ LF, CH-A
- 4 - PAR INPUT LED
- 5 - PAR INPUTS, +
- 6 - PAR INPUTS, -
- 7 - BR MONO
- 8 - 30 HZ LF, CH B
- 9 - LF FILT, CH B
- 10 - CLIP LIM CH B

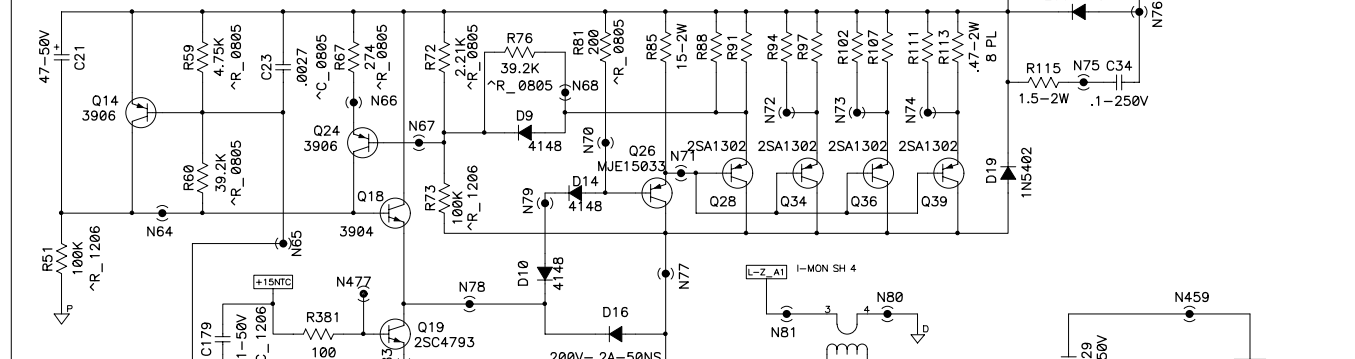
THERMAL AND BIAS SENSING



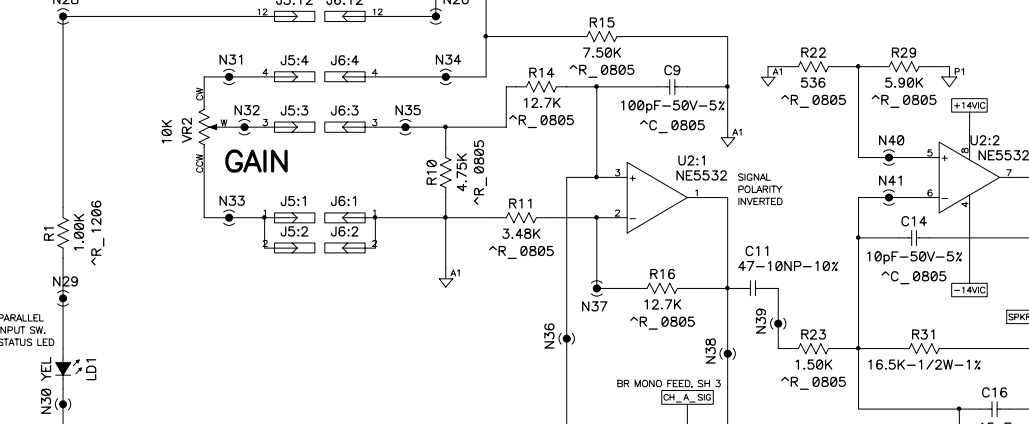
POS STEP DRIVER



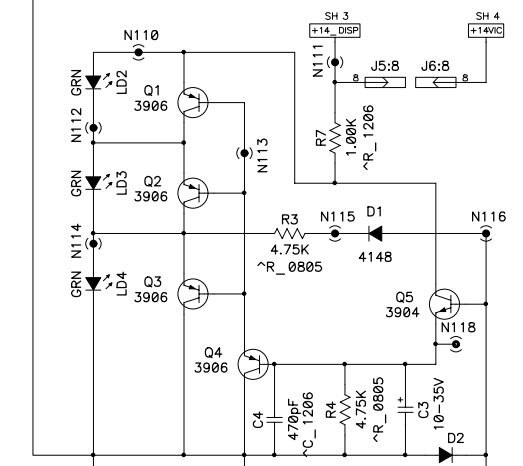
POS OUTPUT SECTION



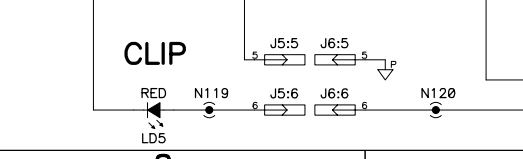
GAIN



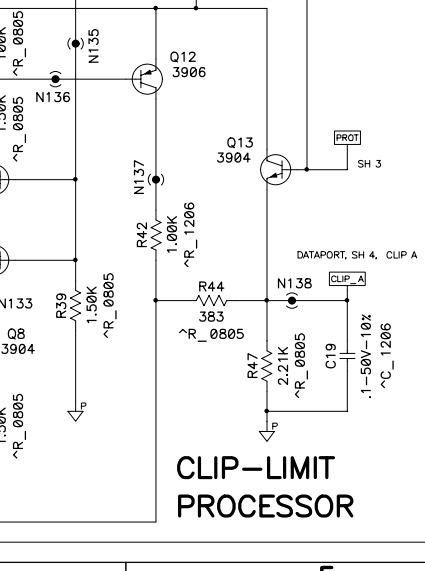
LED-SIGNAL DISPLAY



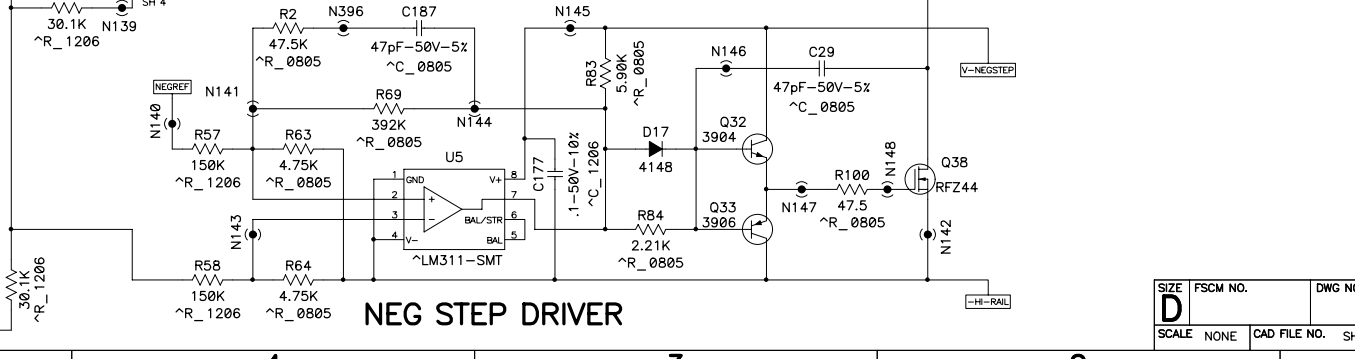
CLIP



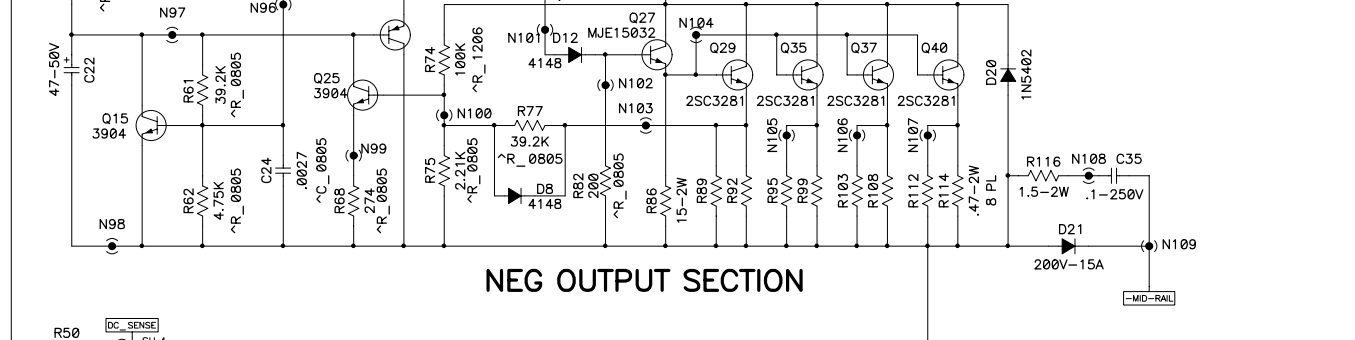
CLIP-LIMIT PROCESSOR



NEG STEP DRIVER



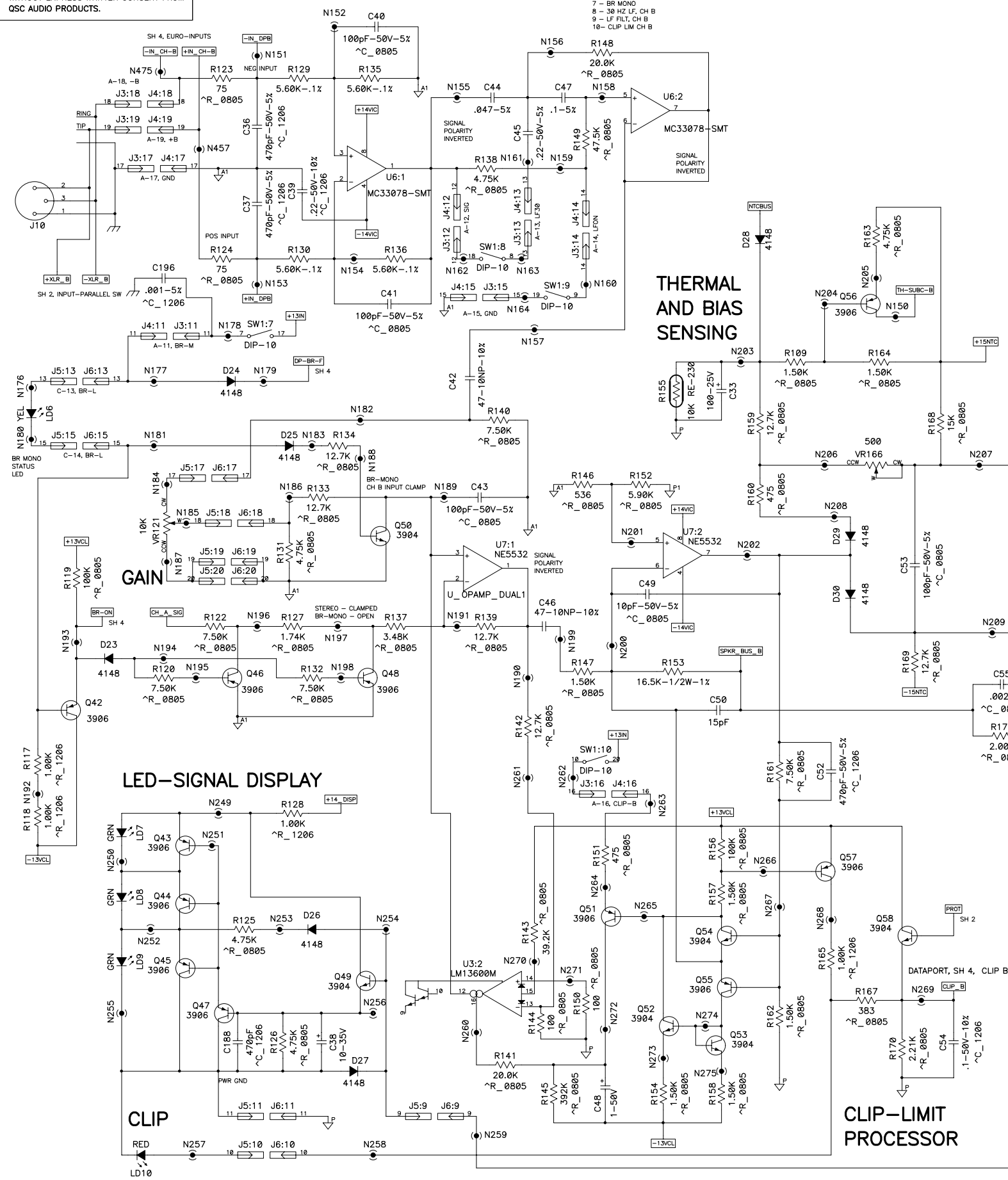
NEG OUTPUT SECTION



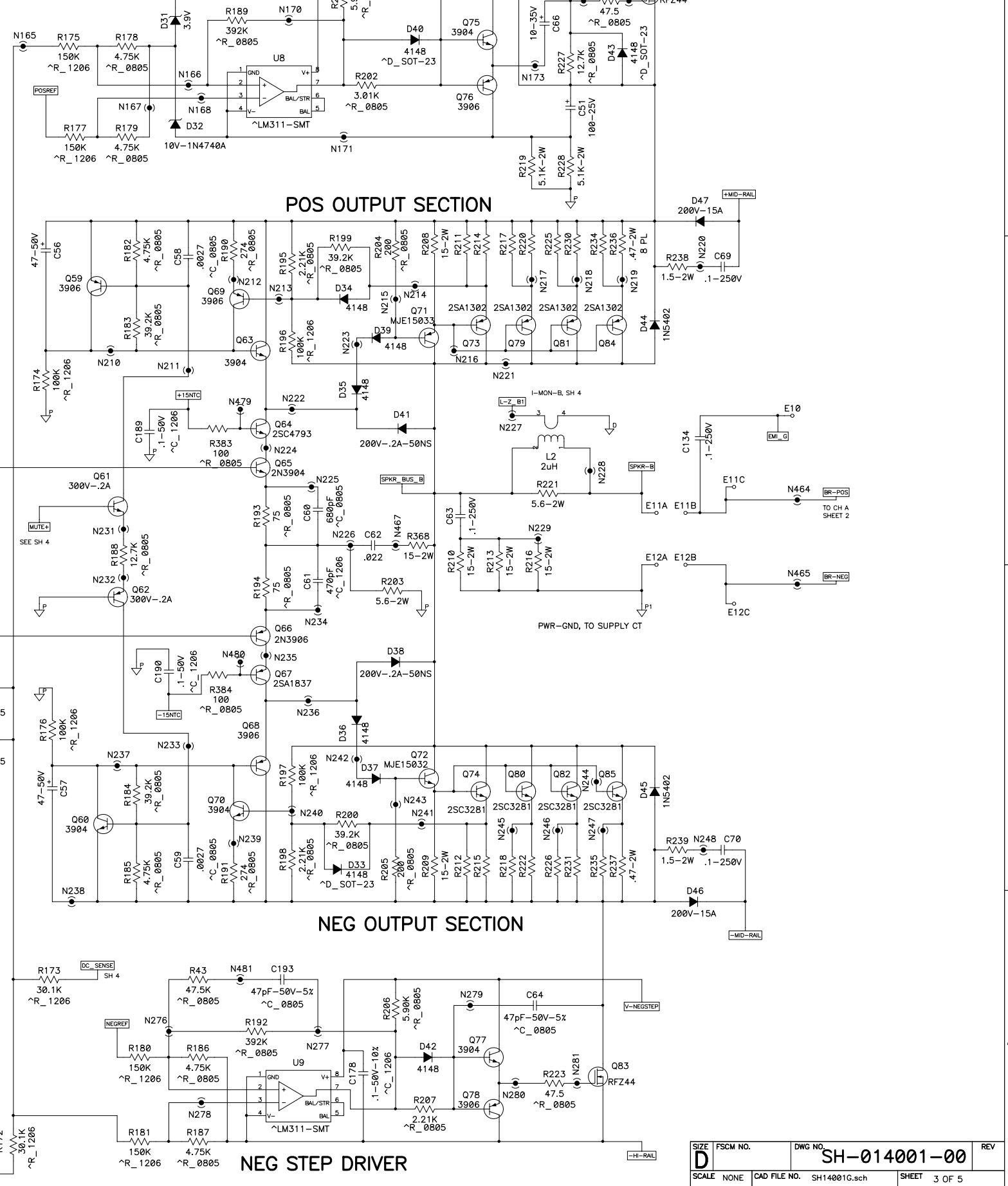
THIS DOCUMENT CONTAINS PROPRIETARY INFORMATION WHICH IS THE PROPERTY OF QSC AUDIO PRODUCTS, THAT MAY NOT BE DISCLOSED, REPRODUCED OR USED WITHOUT EXPRESS WRITTEN CONSENT FROM QSC AUDIO PRODUCTS.

INPUT AND FILTER SECTION, CH B

- DIP SWITCH TABLE, 10-POS
- 1 - CLIP LIM, CH-A
 - 2 - LF FILT, CH-A
 - 3 - 30 HZ LF, CH-A
 - 4 - PAR INPUT LED
 - 5 - PAR INPUTS, +
 - 6 - PAR INPUTS, -
 - 7 - BR MONO
 - 8 - 30 HZ LF, CH B
 - 9 - LF FILT, CH B
 - 10 - CLIP LIM CH B

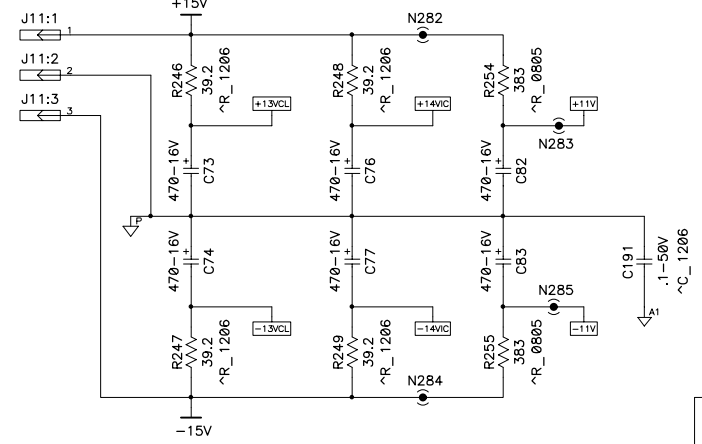


POS STEP DRIVER

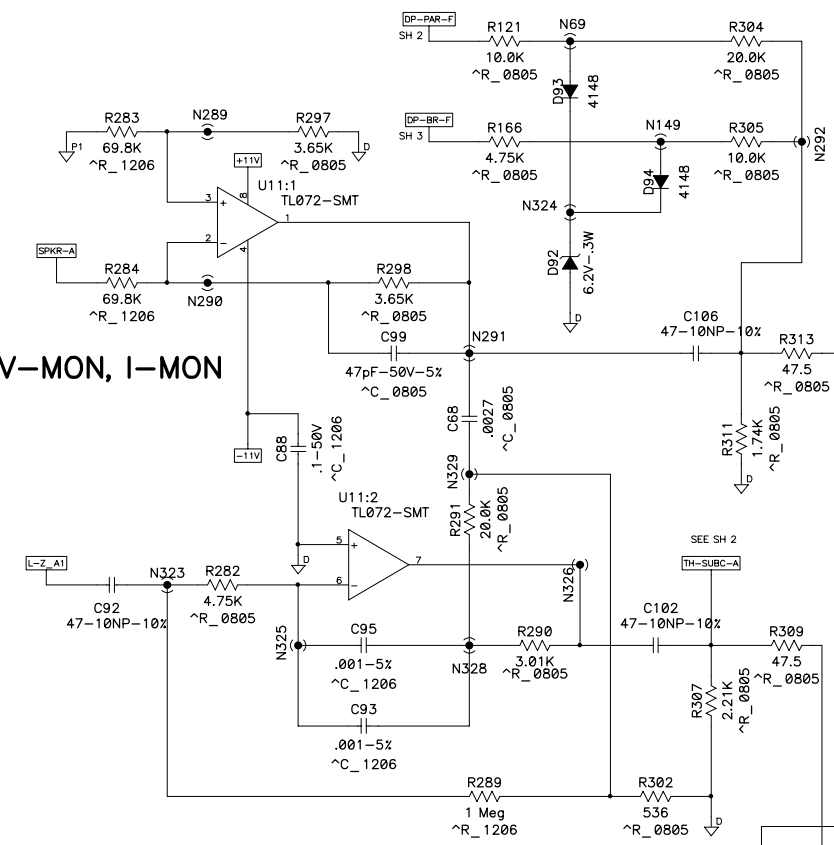


THIS DOCUMENT CONTAINS PROPRIETARY INFORMATION WHICH IS THE PROPERTY OF QSC AUDIO PRODUCTS, THAT MAY NOT BE DISCLOSED, REPRODUCED OR USED WITHOUT EXPRESS WRITTEN CONSENT FROM QSC AUDIO PRODUCTS.

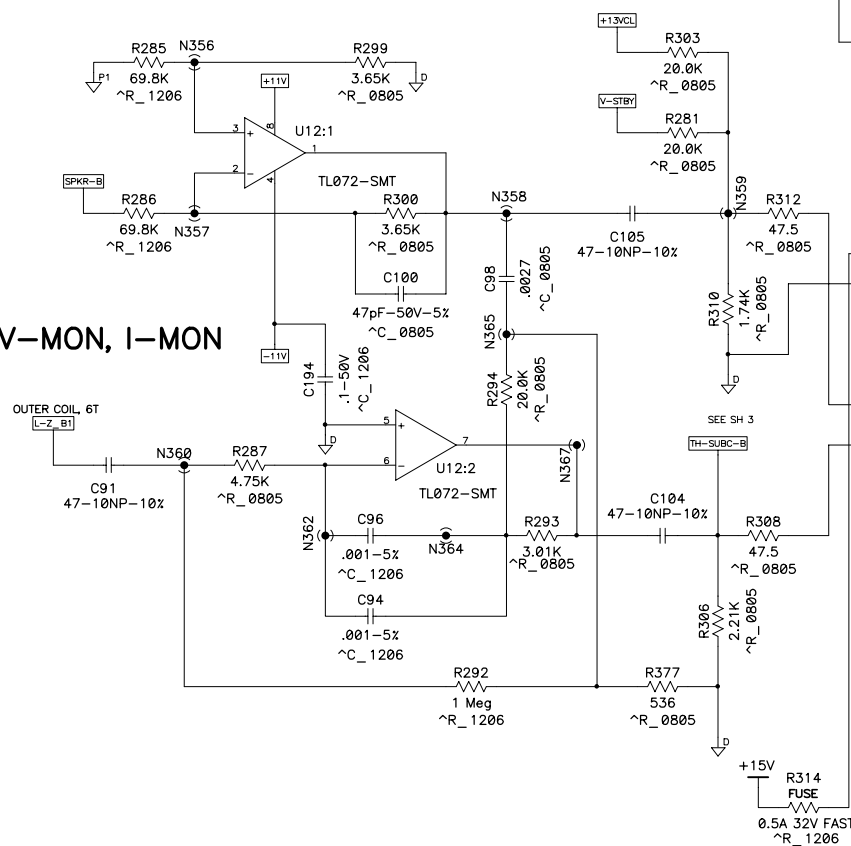
OPAMP POWER SUPPLIES



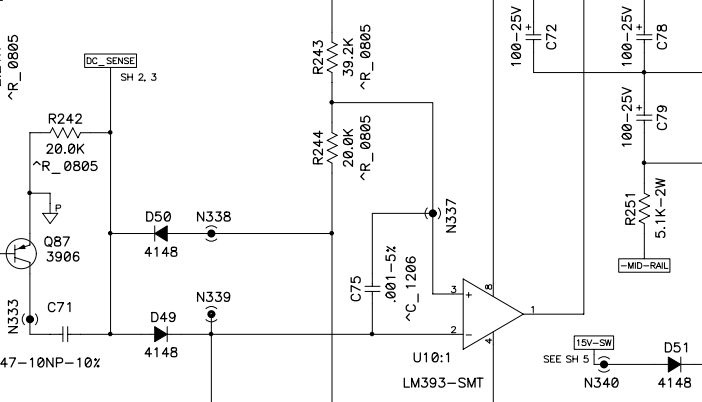
CH A V-MON, I-MON



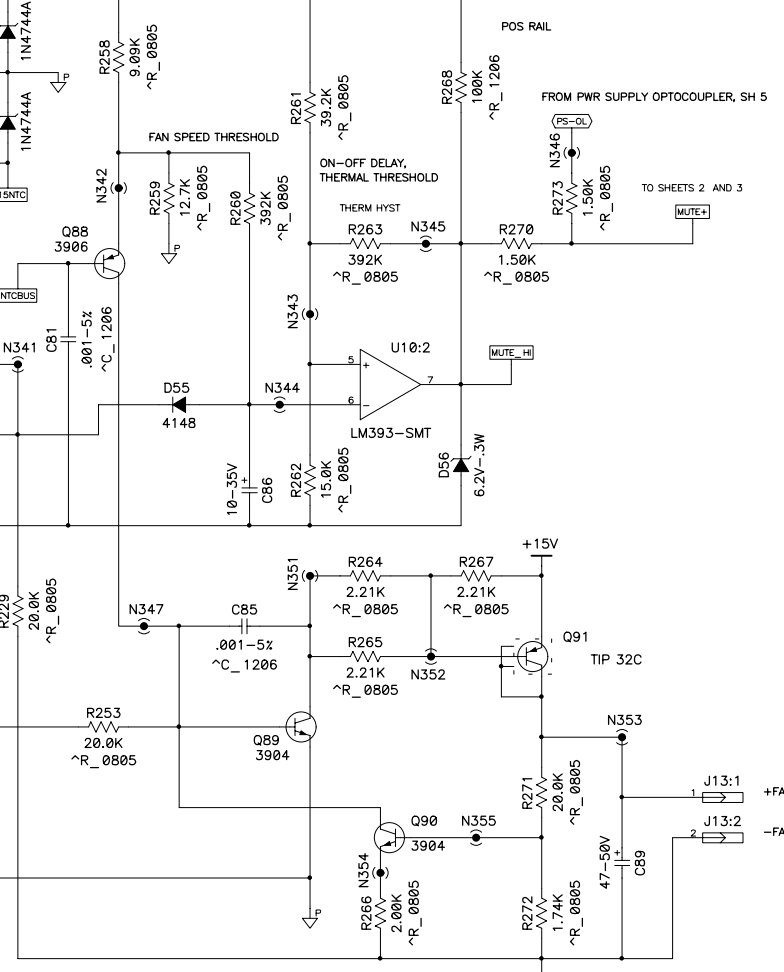
CH B V-MON, I-MON



DC MUTING



FAN SPEED CONTROL



THIS DOCUMENT CONTAINS PROPRIETARY INFORMATION WHICH IS THE PROPERTY OF QSC AUDIO PRODUCTS, THAT MAY NOT BE DISCLOSED, REPRODUCED OR USED WITHOUT EXPRESS WRITTEN CONSENT FROM QSC AUDIO PRODUCTS.

