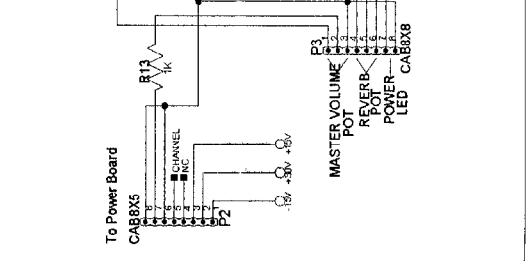
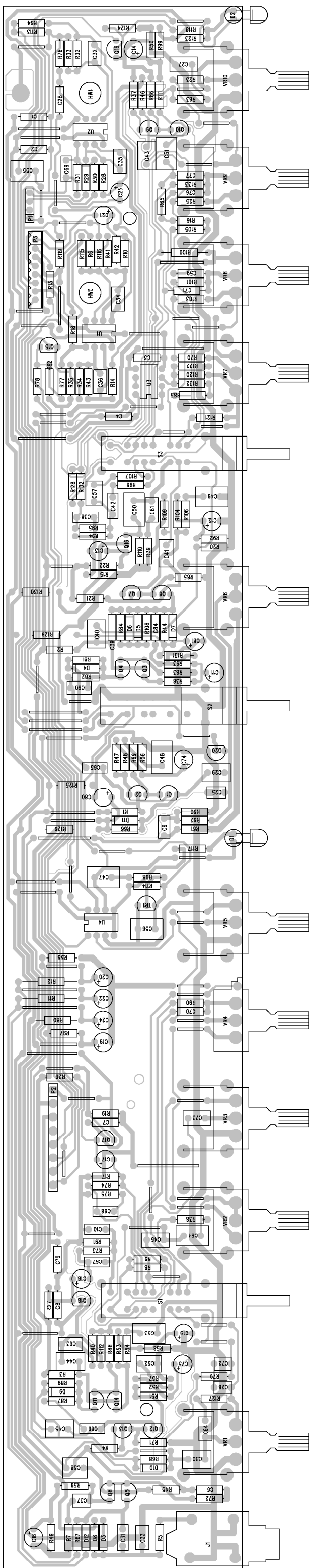


Note: All thru hole Resistors are 1/4 Watt unless otherwise indicated.
 All SMT 1206 Resistors are 1/10 Watt.
 All SMT 0805 Resistors are 1/10 Watt.
 Note Capacitor Values are indicated as Follows:
 val P = pF (picoFarads) val * 10 exp-12
 val N = nF (nanoFarads) val * 10 exp-9 (1N=1000pF, 100N=0.1uF)
 val U = uF (microFarads) val * 10 exp-6





BILL OF MATERIAL REPORT

REPORT DATE/TIME: 4/21/2003 3:20:43 PM

BOARD NAME: SUPREME XL PREAMP ASSEMBLY LEVEL NUMBER: 99060260

PROJECT NUMBER: P0200090 DESIGNER: ELC

| Qty. | Part # | Description | Reference Designators |
|------|----------|------------------------|--|
| -- | | | |
| 1 | 70240008 | 47 1/4W 5% CF AXL | R98 |
| 1 | 70240009 | 68 1/4W 5% CF AXL | R6 |
| 3 | 70240010 | 100 1/4W 5% CF AXL | R36 R52 R130 |
| 2 | 70240016 | 680 1/4W 5% CF AXL | R104 R123 |
| 5 | 70240017 | 1K 1/4W 5% CF AXL | R11 R12 R13 R14 R117 |
| 10 | 70240018 | 1500 1/4W 5% CF AXL | R47 R48 R49 R51 R53 R54 R55 R107 R125 R131 |
| 2 | 70240020 | 2200 1/4W 5% CF AXL | R106 R124 |
| 4 | 70240022 | 3300 1/4W 5% CF AXL | R56 R57 R58 R75 |
| 4 | 70240023 | 4700 1/4W 5% CF AXL | R93 R94 R95 R97 |
| 1 | 70240024 | 6800 1/4W 5% CF AXL | R113 |
| 13 | 70240025 | 10K 1/4W 5% CF AXL | R22 R23 R25 R26 R27 R29 R30 R32 R33 R34 R35 R42 R74 |
| 4 | 70240026 | 56K 1/4W 5% CF AXL | R60 R61 R79 R122 |
| 2 | 70240027 | 15K 1/4W 5% CF AXL | R96 R99 |
| 2 | 70240028 | 18K 1/4W 5% CF AXL | R5 R63 |
| 3 | 70240029 | 22K 1/4W 5% CF AXL | R41 R43 R118 |
| 2 | 70240030 | 33K 1/4W 5% CF AXL | R62 R64 |
| 6 | 70240031 | 47K 1/4W 5% CF AXL | R28 R31 R91 R100 |

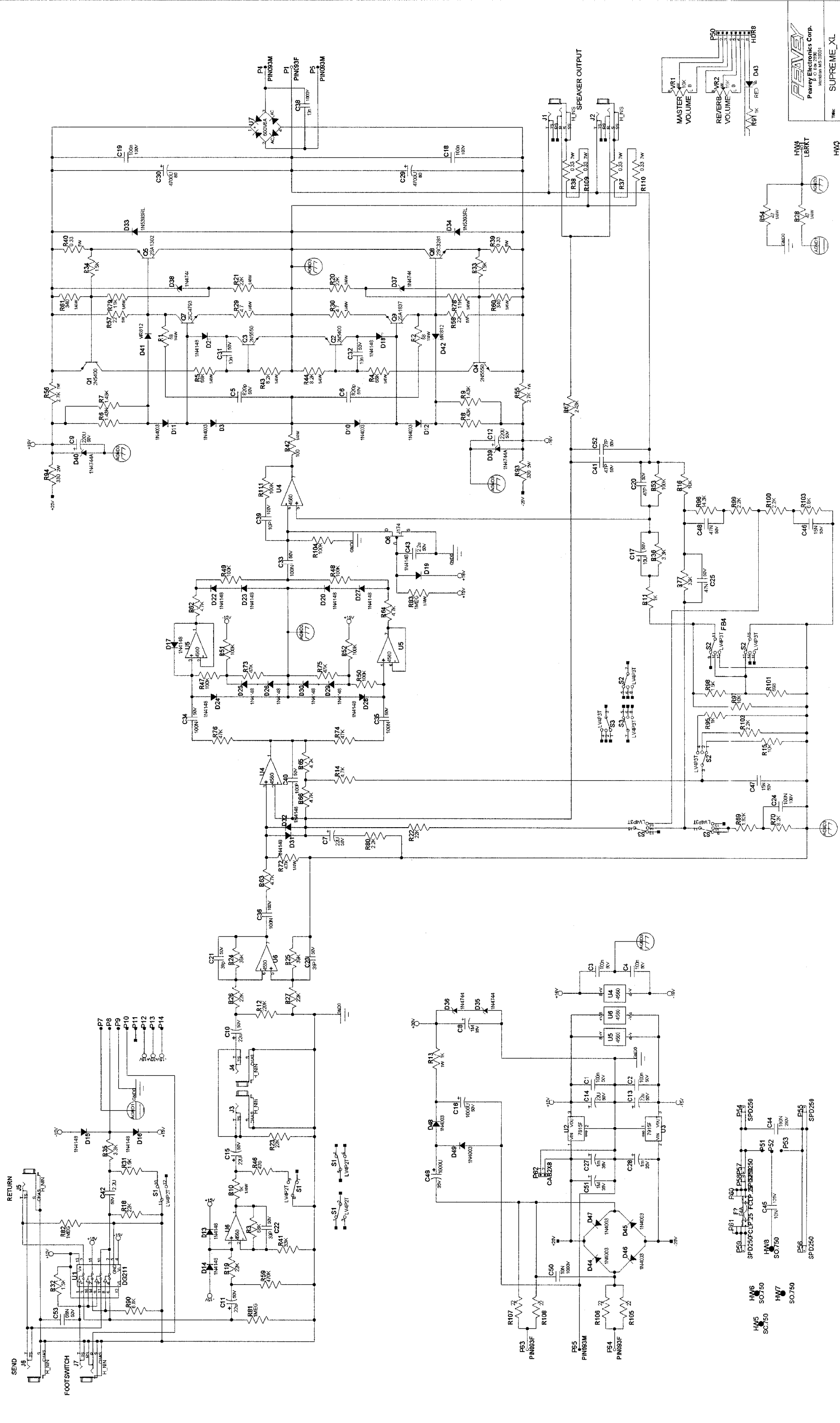
| | | | | | | |
|----|----------|-------|------|----|--------|--|
| | | | | | | R101 R128 |
| 4 | 70240032 | 68K | 1/4W | 5% | CF AXL | R7 R8 R9 R10 |
| 1 | 70240033 | 82K | 1/4W | 5% | CF AXL | R44 |
| 10 | 70240034 | 100K | 1/4W | 5% | CF AXL | R69 R70 R71 R72 R73 R76 R77 R78 R102 R133 |
| 1 | 70240035 | 150K | 1/4W | 5% | CF AXL | R105 |
| 4 | 70240036 | 220K | 1/4W | 5% | CF AXL | R15 R16 R17 R18 |
| 11 | 70240038 | 470K | 1/4W | 5% | CF AXL | R81 R82 R83 R84 R85 R86 R87 R88 R89 R90 R132 |
| 6 | 70240039 | 1M | 1/4W | 5% | CF AXL | R108 R109 R110 R111 R112 R114 |
| 2 | 70240040 | 2.2M | 1/4W | 5% | CF AXL | R19 R20 |
| 2 | 70240048 | 39K | 1/4W | 5% | CF AXL | R38 R103 |
| 1 | 70240052 | 37.4K | 1/4W | 1% | MF AXL | R45 |
| 2 | 70240057 | 12K | 1/4W | 5% | CF AXL | R80 R121 |
| 1 | 70240061 | 1.3K | 1/4W | 5% | CF AXL | R92 |
| 2 | 70240066 | 180K | 1/4W | 5% | CF AXL | R39 R40 |
| 1 | 70240090 | 47 | 1/4W | 5% | FP AXL | R119 |
| 1 | 70240095 | 10 | 1/4W | 5% | FP AXL | R115 |
| 1 | 70240100 | 22 | 1/4W | 5% | FR AXL | R116 |
| 2 | 70240151 | 100K | 1/4W | 1% | MF AXL | R46 R120 |
| 2 | 70241009 | 14.3K | 1/4W | 1% | MF AXL | R126 R129 |
| 1 | 70241034 | 121K | 1/4W | 1% | MF AXL | R127 |
| 4 | 70241035 | 150K | 1/4W | 1% | MF AXL | R1 R2 R3 R4 |
| 3 | 70241037 | 243K | 1/4W | 1% | MF AXL | R66 R67 R68 |
| 1 | 70241070 | 68.1K | 1/4W | 1% | MF AXL | R21 |
| 1 | 70241071 | 5.23K | 1/4W | 1% | MF AXL | R59 |
| 1 | 70241078 | 1.82K | 1/4W | 1% | MF AXL | R50 |

| | | | | | | | | |
|----|----------|---------|------|-----|-----|-----|--|--|
| 1 | 70241093 | 3.9K | 1/4W | 5% | CF | AXL | | R37 |
| 1 | 70241094 | 240K | 1/4W | 5% | CF | AXL | | R65 |
| 2 | 70320180 | 2.2UF | 50V | 20% | EL | RAD | | C74 C75 |
| 16 | 70320181 | 22UF | 50V | 20% | EL | RAD | | C11 C12 C13 C14 C15 C16 C17 C18 C19 C20 C21 C22 C23 C24 C80 C81 |
| 3 | 70320269 | 100PF | 100V | 5% | NPO | RAD | | C33 C34 C36 |
| 1 | 70330113 | 0.1UF | 100V | 10% | PPS | RAD | | C31 |
| 3 | 70330116 | 4700PF | 50V | 5% | PE | RAD | | C9 C40 C41 |
| 1 | 70330117 | 6800PF | 50V | 5% | PE | RAD | | C37 |
| 3 | 70330118 | 470PF | 50V | 5% | PE | RAD | | C60 C61 C63 |
| 2 | 70330120 | 1500PF | 50V | 5% | PE | RAD | | C25 C26 |
| 1 | 70330125 | 0.027UF | 50V | 5% | PE | RAD | | C46 |
| 2 | 70330128 | 0.22UF | 50V | 5% | PE | RAD | | C29 C30 |
| 9 | 70330129 | 0.1UF | 50V | 5% | PE | RAD | | C47 C48 C49 C50 C51 C53 C54 C55 C56 |
| 3 | 70330132 | 820PF | 50V | 5% | PE | RAD | | C32 C35 C64 |
| 2 | 70330133 | 0.12UF | 50V | 5% | PE | RAD | | C52 C57 |
| 3 | 70330134 | 0.022UF | 50V | 5% | PE | RAD | | C27 C58 C73 |
| 3 | 70330136 | 0.047UF | 50V | 5% | PE | RAD | | C43 C44 C45 |
| 5 | 70330155 | 0.01UF | 50V | 5% | PE | RAD | | C10 C38 C42 C68 C72 |
| 4 | 70330156 | 1000PF | 50V | 5% | PE | RAD | | C65 C66 C67 C69 |
| 1 | 70340000 | 1000PF | 50V | 10% | NPO | AXL | | C59 |
| 2 | 70340004 | 2200PF | 50V | 10% | X7R | AXL | | C71 C84 |
| 1 | 70340010 | 0.015UF | 50V | 10% | X7R | AXL | | C28 |
| 1 | 70340017 | 0.047UF | 50V | 10% | X7R | AXL | | C39 |
| 1 | 70340052 | 39PF | 50V | 5% | NPO | AXL | | C82 |

| | | | | | |
|----|----------|--------------|-------------------|----------|---|
| 3 | 70340054 | 100PF | 50V 10% NPO | AXL | C76 C77 C83 |
| 1 | 70340057 | 270PF | 50V 10% NPO | AXL | C70 |
| 8 | 70340100 | 0.1UF | 50V 80-20% | Z5U AXL | C1 C2 C3 C4 C6 C7 C8 C79 |
| 3 | 70400933 | 2SA933ASLN | PNP LN | RAD | Q16 Q17 Q18 |
| 14 | 70401740 | 2SC1740SLN | NPN LN | RAD | Q1 Q2 Q3 Q4 Q5 Q6 Q7 Q8 Q9 Q10 Q11 Q12 Q13 Q14 |
| 3 | 70414560 | 4560 | DUAL OPAMP | DIP8 | U1 U2 U3 |
| 1 | 70420419 | DG419 | SPDT ANALOG | SW DIP | U4 |
| 1 | 70450053 | RED T1 | LED W/STOP | LEAD | D2 |
| 1 | 70450054 | GRN T1 | LED W/STOP | LEAD | D1 |
| 1 | 70460097 | MAC97-6 | TRIAC TO-92 | T&A | TR1 |
| 2 | 70460174 | J174 | JFET P 30V | TO92 RAD | Q15 Q20 |
| 1 | 70463904 | 3904/SPS7239 | TO92 NPN | RAD | Q19 |
| 10 | 70464148 | 1N4148 | 75V 10MA | DIODE | D3 D4 D5 D6 D7 D8 D9 D10 D11 D12 |
| 1 | 70600018 | 8C .156 | STRP SRCON | 5" | P2 |
| 1 | 70600071 | 4C 2.5MM | STRP SPOX | 4" | P1 |
| 1 | 70600571 | 8C 2.5MM | WPCB JST-EHR | 8" | P3 |
| 1 | 70900936 | STND .750 | T4-40, SW, NB, ST | | HW3 |
| 2 | 70901837 | STND .591 | T4-40, SW, AL | | HW4 HW5 |
| 2 | 70901875 | STND .750 | T4-40, SW, AL, ST | | HW1 HW2 |
| 1 | 71190511 | 50KB | SNGL 16MM | HOR | VR10 |
| 4 | 71190515 | 250KB | SNGL 16MM | HOR | VR5 VR7 VR8 VR9 |
| 1 | 71190518 | 20KB | SNGL 16MM | HOR | VR3 |
| 1 | 71190522 | 1M5A | SNGL 16MM | HOR | VR2 |
| 1 | 71190547 | 250K10A | SNGL 16MM | HOR | VR1 |
| 1 | 71190560 | 250K 5%A | SNGL 16MM | HOR | VR6 |

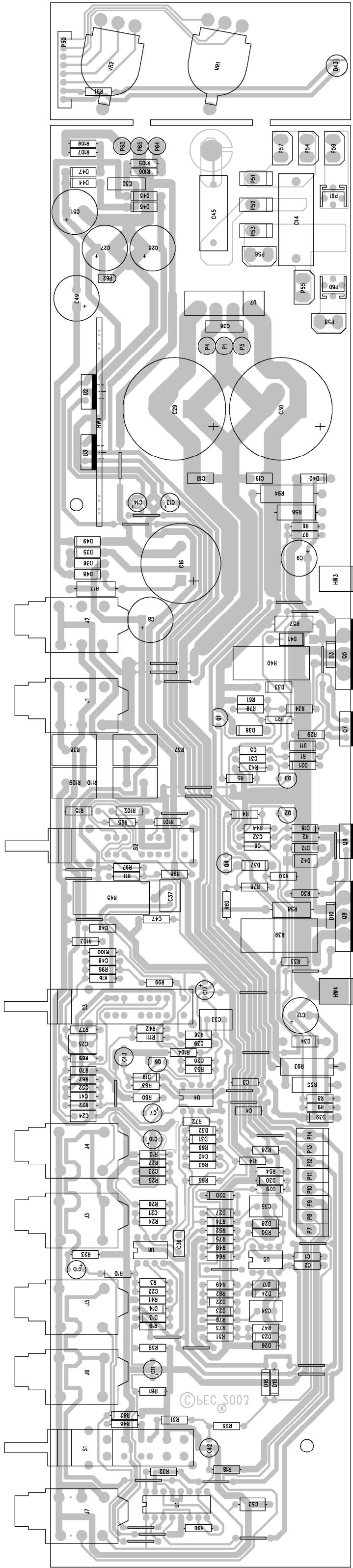
| | | | |
|----|----------|--|--|
| 1 | 71190561 | 300K25AM SNGL CT 17MM HOR | VR4 |
| 1 | 71322395 | SWITCH 4P2T RA LEVER PC H | S2 |
| 2 | 71322396 | SWITCH 4P3T RA LEVER PC H | S1 S3 |
| 1 | 71466322 | JACK, MONO R/A 1/4" 6.5MM NINS | J1 |
| 66 | JUMPER | ?? | JMP1 JMP2 JMP3 JMP4 JMP5 JMP6 JMP7 JMP8 JMP9 JMP10 JMP11 JMP12 JMP13 JMP14 JMP15 JMP16 JMP17 JMP18 JMP19 JMP20 JMP21 JMP22 JMP23 JMP24 JMP25 JMP26 JMP27 JMP28 JMP29 JMP30 JMP31 JMP32 JMP33 JMP34 JMP35 JMP36 JMP37 JMP38 JMP40 JMP41 JMP42 JMP43 JMP44 JMP46 JMP48 JMP49 JMP50 JMP51 JMP52 JMP53 JMP54 JMP55 JMP56 JMP57 JMP58 JMP59 JMP60 JMP61 JMP62 JMP63 JMP64 JMP65 JMP66 JMP67 JMP68 JMP69 |

END OF BILL OF MATERIAL REPORT



SEND
RETURN
FOOTSWITCH

MASTER VOLUME VR1
REVERSE VOLUME VR2
SPEAKER OUTPUT
HWS SC.750
HW6 SO.750
HW7 SO.750
HW8 SO.750
HW9 SO.750
HW4 LBRKT
HW3 LBRKT



BILL OF MATERIAL REPORT

REPORT DATE/TIME: 4/16/2003 9:50:30 AM

BOARD NAME: SUPREME XL POWER AMP ASSEMBLY LEVEL NUMBER: 99060220

PROJECT NUMBER: P0200090 DESIGNER: JTH

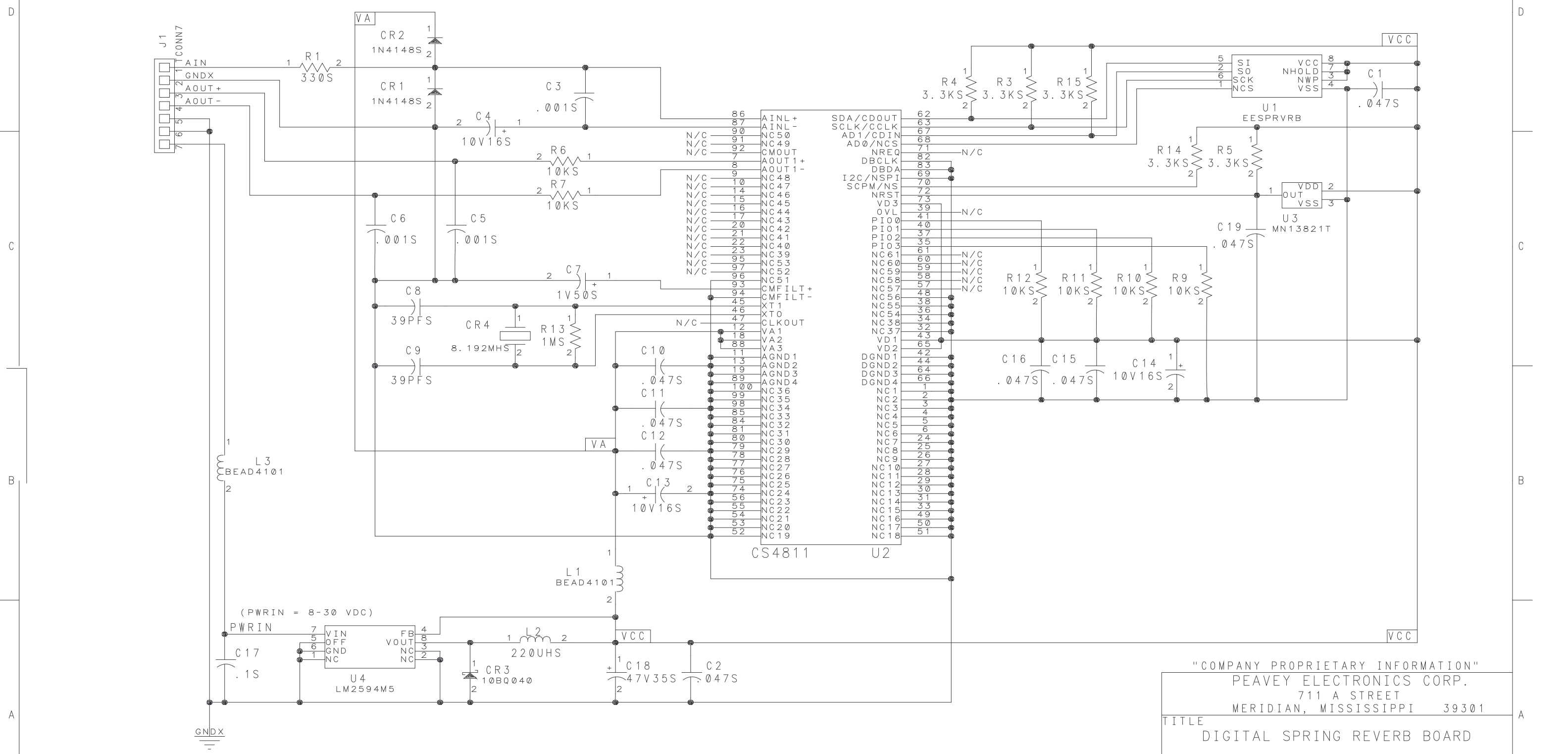
| Qty. | Part # | Description | Reference Designators |
|------|----------|---|-----------------------|
| 1 | 70210000 | 1K 1W 5% MO AXL | R13 |
| 2 | 70210001 | 22 1W 5% MO AXL | R57 R58 |
| 2 | 70210016 | 2700 1W 10% MO AXL | R55 R56 |
| 2 | 70240009 | 68 1/4W 5% CF AXL | R1 R2 |
| 1 | 70240015 | 470 1/4W 5% CF AXL | R46 |
| 4 | 70240017 | 1K 1/4W 5% CF AXL | R10 R11 R91 R95 |
| 5 | 70240018 | 1500 1/4W 5% CF AXL R98 | R31 R32 R33 R34 |
| 4 | 70240020 | 2200 1/4W 5% CF AXL | R80 R99 R100 R102 |
| 2 | 70240022 | 3300 1/4W 5% CF AXL | R35 R36 |
| 6 | 70240023 | 4700 1/4W 5% CF AXL R65 R66 | R14 R62 R63 R64 |
| 2 | 70240024 | 6800 1/4W 5% CF AXL | R90 R103 |
| 3 | 70240025 | 10K 1/4W 5% CF AXL | R15 R16 R97 |
| 8 | 70240029 | 22K 1/4W 5% CF AXL R22 R23 R26 R27 | R18 R19 R20 R21 |
| 2 | 70240030 | 33K 1/4W 5% CF AXL | R41 R77 |
| 5 | 70240031 | 47K 1/4W 5% CF AXL R76 | R72 R73 R74 R75 |
| 3 | 70240032 | 68K 1/4W 5% CF AXL | R3 R4 R5 |
| 8 | 70240034 | 100K 1/4W 5% CF AXL R51 R52 R53 R104 | R47 R48 R49 R50 |
| 1 | 70240036 | 220K 1/4W 5% CF AXL | R12 |
| 1 | 70240038 | 470K 1/4W 5% CF AXL | R59 |
| 3 | 70240039 | 1M 1/4W 5% CF AXL | R81 R82 R83 |
| 2 | 70240048 | 39K 1/4W 5% CF AXL | R24 R25 |
| 3 | 70240049 | 8.2K 1/4W 5% CF AXL | R43 R44 R70 |
| 1 | 70240055 | 2.43K 1/4W 1% MF AXL | R67 |
| 2 | 70240069 | 11K 1/4W 5% CF AXL | R78 R79 |

| | | | | | | |
|---|----------|---------|--------------|--------|--------|---------------------------|
| 1 | 70240086 | 698 | 1/4W | 1% MF | AXL | R101 |
| 2 | 70240090 | 47 | 1/4W | 5% FP | AXL | R28 R54 |
| 2 | 70240094 | 4.7 | 1/4W | 10% FP | AXL | R29 R30 |
| 4 | 70240100 | 22 | 1/4W | 5% FR | AXL | R105 R106 R107 R108 |
| 1 | 70240151 | 100K | 1/4W | 1% MF | AXL | R111 |
| 1 | 70241009 | 14.3K | 1/4W | 1% MF | AXL | R96 |
| 2 | 70241011 | 340 | 1/4W | 1% MF | AXL | R60 R61 |
| 4 | 70241039 | 1.43K | 1/4W | 1% MF | AXL | R6 R7 R8 R9 |
| 1 | 70241075 | 100 | 1/4W | 1% MF | AXL | R42 |
| 1 | 70241078 | 1.82K | 1/4W | 1% MF | AXL | R69 |
| 2 | 70250003 | 0.33 | 5W | 10% WW | AXLH | R39 R40 |
| 2 | 70250074 | 330 | RSS2W | 5% MO | AXL | R93 R94 |
| 4 | 70250163 | .33 | 7W | 5% WW | RADH | R37 R38 R109 R110 |
| 1 | 70320104 | 0.01UF | 125V-20% | "X" | RADH | C45 |
| 1 | 70320147 | 1000UF | 30-20% | 50V | EL R/S | C16 |
| 6 | 70320181 | 22UF | 50V 20% | EL | RAD | C7 C10 C11 C13 C14 C15 |
| 2 | 70320184 | 2.2UF | 50V 20% | ELN | RAD | C42 C43 |
| 1 | 70320185 | 10UF | 50V 20% | ELL | RAD | C17 |
| 5 | 70320186 | 1000UF | 35V 20% | EL | RAD | C8 C27 C28 C49 C51 |
| 2 | 70320187 | 220UF | 50V 20% | EL | RAD | C9 C12 |
| 2 | 70320248 | 0.01UF | 1000V 80-20% | Z5U | RAD | C38 C50 |
| 1 | 70320298 | 0.1UF | 250V 20% | "X" | RADH | C44 |
| 2 | 70320440 | 4700UF | 80V 20% | EL | SNPHT3 | C29 C30 |
| 4 | 70330113 | 0.1UF | 100V 10% | PPS | RAD | C18 C19 C24 C36 |
| 3 | 70330129 | 0.1UF | 50V 5% | PE | RAD | C33 C34 C35 |
| 1 | 70330136 | 0.047UF | 50V 5% | PE | RAD | C25 |
| 2 | 70340010 | 0.015UF | 50V 10% | X7R | AXL | C46 C47 |
| 2 | 70340011 | 0.01UF | 50V 10% | X7R | AXL | C31 C32 |
| 1 | 70340016 | 0.047UF | 50V 80-20% | Z5U | AXL | C48 |
| 1 | 70340018 | 0.068UF | 50V 10% | X7R | AXL | C53 |
| 1 | 70340050 | 10PF | 100V 5% | NPO | AXL | C39 |
| 3 | 70340052 | 39PF | 50V 5% | NPO | AXL | C21 C22 C23 |

| | | | |
|----|----------|---|---|
| 1 | 70340054 | 100PF 50V 10% NPO AXL | C40 |
| 2 | 70340062 | 820PF 50V 10% NPO AXL | C5 C6 |
| 1 | 70340066 | 27PF 50V 10% NPO AXL | C52 |
| 2 | 70340067 | 47PF 50V 10% NPO AXL | C20 C41 |
| 4 | 70340100 | 0.1UF 50V 80-20% Z5U AXL | C1 C2 C3 C4 |
| 1 | 70400318 | 7815F +15V INS TO-220F HOR | U2 |
| 1 | 70400319 | 7915 -15V INS TO-220F HOR | U3 |
| 1 | 70400605 | BR RECT INLINE 600V 6A | U7 |
| 1 | 70401837 | 2SA1837 PNP TO-220 230V | Q9 |
| 1 | 70404793 | 2SC4793 NPN TO-220 230V | Q7 |
| 2 | 70404933 | MR812 FAST RECOVERY DIODE | D41 D42 |
| 3 | 70414560 | 4560 DUAL OPAMP DIP8 | U4 U5 U6 |
| 1 | 70420211 | DG211 4-ANALOG SW DIP | U1 |
| 4 | 70440102 | SZG40102 15V 5% ZENER | D35 D36 D37 D38 |
| 1 | 70450068 | RED T1 3/4 LED S-BRT BULK | D43 |
| 1 | 70458200 | 2SA1302 200V PNP TO-247AC | Q5 |
| 1 | 70460174 | J174 JFET P 30V TO92 RAD | Q6 |
| 2 | 70460761 | 2N5400 PNP 120V 10MA TO92 | Q1 Q2 |
| 10 | 70464003 | 1N4003 200V 1A SI DIODE D44 D45 D46 D47 D48 D49 | D3 D10 D11 D12 D44 D45 D46 D47 D48 D49 |
| 20 | 70464148 | 1N4148 75V 10MA DIODE D17 D18 D19 D20 D21 D22 D23 D24 D25 D26 D27 D28 D29 D30 D31 D32 | D13 D14 D15 D16 D17 D18 D19 D20 D21 D22 D23 D24 D25 D26 D27 D28 D29 D30 D31 D32 |
| 2 | 70464744 | 1N4744A 15V 1W 5% ZENER | D39 D40 |
| 2 | 70465393 | 1N5393-RL 1.5A RECT DIODE | D33 D34 |
| 2 | 70465550 | 2N5550 TO92 NPN T&A | Q3 Q4 |
| 1 | 70468200 | 2SC3281 200V NPN POWER | Q8 |
| 1 | 70600184 | 2C 2.5MM STRP SPOX 8" | P62 |
| 1 | 70900936 | STND .750 T4-40,SW,NB,ST | HW8 |
| 2 | 70901183 | FUSECLIP, PC MT RAD | P60 P61 |
| 3 | 70901875 | STND .750 T4-40,SW,AL,ST | HW5 HW6 HW7 |
| 2 | 71190336 | 10KB SNGL 16MM SPD | VR1 VR2 |
| 1 | 71322395 | SWITCH 4P2T RA LEVER PC H | S1 |

| | | | |
|----|----------|---|---------------------|
| 2 | 71322396 | SWITCH 4P3T RA LEVER PC H | S2 S3 |
| 2 | 71466223 | JACK, STEREO R/A 1/4" 6.5MM | J1 J2 |
| 4 | 71466322 | JACK, MONO R/A 1/4" 6.5MM NINS | J3 J4 J5 J6 |
| 1 | 71466323 | JACK, STEREO R/A 1/4" 6.5MM NINS | J7 |
| 2 | 71500238 | ???????????????????????????? | HW3 HW4 |
| 3 | 73711811 | PIN-F .093 MOLEX PC-MNT | P1 P63 P64 |
| 3 | 73711812 | PIN-M .093 MOLEX PC-MNT | P4 P5 P65 |
| 6 | 73716194 | SPADE .250 PC MNT .093 P58 P59 | P54 P55 P56 P57 |
| 11 | 73717003 | 1 STAKE PIN .045 .625 TIN P11 P12 P13 P14 P51 P52 P53 | P7 P8 P9 P10 |
| 1 | 73717194 | 8 HDR V JST-EHR 2.5MM TIN | P50 |
| 1 | 98002978 | DUAL V REG HEATSINK VRT | HW9 |
| 35 | JUMPER | ???????????????????????????? JMP5 JMP6 JMP7 JMP8 JMP9 JMP10 JMP11 JMP12 JMP13 JMP14 JMP15 JMP16 JMP17 JMP18 JMP19 JMP20 JMP21 JMP22 JMP23 JMP24 JMP25 JMP26 JMP27 JMP28 JMP29 JMP30 JMP31 JMP32 JMP33 JMP34 JMP36 | JMP1 JMP2 JMP3 JMP4 |

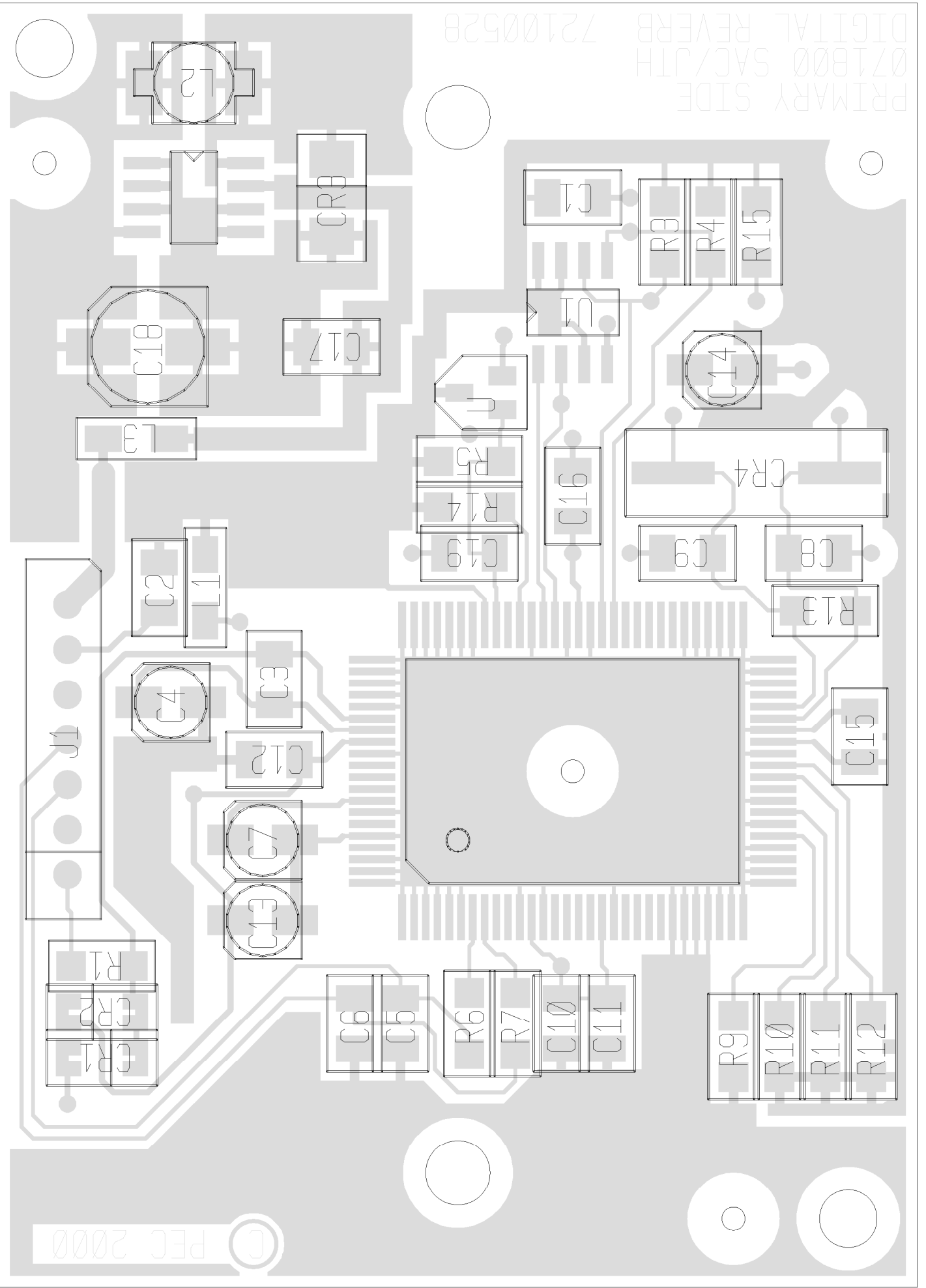
 END OF BILL OF MATERIAL REPORT



"COMPANY PROPRIETARY INFORMATION"
 PEAVEY ELECTRONICS CORP.
 711 A STREET
 MERIDIAN, MISSISSIPPI 39301

TITLE
 DIGITAL SPRING REVERB BOARD

| | | | |
|---------------------|-----------------|--------------------|----------|
| SIZE B | CODE JCF | NUMBER 99053090 | REV A |
| DATE 14-JUL-2000 | SHEET 1 OF 1 | | |



PRIMARY SIDE
Ø71800 SAC/JTH
DIGITAL REVERB
72100528

© PEC 2000

BILL OF MATERIALS REPORT

BOARD NAME: DIGITREVERB REPORT DATE: 24JUL00
 ASSEMBLY LEVEL NUMBER: 99053090 DESIGNER: SACLAARK/JAMES HUGHES
 PROJECT NUMBER: P9800155

 QTY. NAME VALUE NUMBER DEV. CE DESIGNATIONS ***

| | | | | | |
|---|----------|----------|--------------------------------------|------------------------------------|--|
| 1 | 72100528 | 72100528 | FCB | | |
| 3 | .001S | .001 | 70300036 | .001MF X7R 50V 10% SMT 1206 | |
| | | | C3, C5, C6 | | |
| 8 | .047S | .047 | 70300027 | .047----SURFACE MNT--1206 PACK | |
| | | | C1, C2, C10, C11, C12, C15, C16, C19 | | |
| 1 | .1S | .1 | 7C300035 | .1MF Z5U 50V 20% SMT 1206 | |
| | | | C17 | | |
| 1 | 10BQ040 | 10BQ040 | 70418219 | 10BQ040 SCHOTTKY DIODE, 40V,1A,SMT | |
| | | | CR3 | | |
| 6 | 10KS | 10K | 70200028 | 10K--1/8W--5%---SMT | |
| | | | R6, R7, R9, R10, R11, R12 | | |
| 3 | 10V16S | 70300080 | 70300080 | 10MFD--+/--20%--16VDC--EL--SMT | |
| | | | C4, C13, C14 | | |
| 1 | 1MS | 1M | 70200036 | 1M--1/8W--5%---SMT | |
| | | | R13 | | |
| 2 | 1N4148S | 4148 | 70418226 | 1N4148 (LL54) DIODE SMT | |
| | | | CR1, CR2 | | |
| 1 | 1V50S | 70300081 | 70300081 | 1MFD--+/--20%--50VDC--EL--SMT | |
| | | | C7 | | |
| 1 | 220UHS | 220UH | 70800037 | 220UH INDUCTOR, 200MA, SMT | |
| | | | L2 | | |
| 5 | 3.3KS | 3.3K | 70200023 | 3.3K--1/8W--5%---smt | |
| | | | R3, R4, R5, R14, R15 | | |
| 1 | 330S | 330 | 70200071 | 330--1/8W--5%---SM | |
| | | | R1 | | |
| 2 | 39PFS | 39PF | 70300012 | 39PF COG 50V 5% SMT 1206 | |
| | | | C8, C9 | | |
| 1 | 47V35S | 70300079 | 70300079 | 47MFD--+/--20%--35VDC--EL--SMT | |
| | | | C18 | | |

| | | | | | |
|---|----------|----------|----------|--|--|
| 1 | 8.192MH5 | 8.192MH | 70800036 | 8.192 MHZ, CRYSTAL, SMT, T&R | |
| | | | CR4 | | |
| 2 | BEAD4101 | FB | 70504101 | BLM41A01-PT FERRITE CHIP | |
| | | | L1, L3 | | |
| 1 | CS4811 | CS4811 | 70418224 | CS4811 DSP+CODEC, 100-PIN MQFP, SMT | |
| | | | U2 | | |
| 1 | EESPRVB | EESPRVB | 70418223 | 8K X 8BIT SERIAL EEPROM W/SPR.REVERB ALG.,5MHZ | |
| | | | U1 | | |
| 1 | LM2594M5 | LM2594M5 | 70418220 | LM2594M-5.0,5V STEP-DOWN REGULATOR, SMT | |
| | | | U4 | | |
| 1 | MN13821T | MN13821T | 70418225 | VOLT. DET/RESET MONITOR, 4.4V, N-CH, OPEN DRAIN, | |
| | | | U5 | | |
| 1 | TC0NN7 | 73716729 | 73716729 | 7 CCND. SPOX WIRE TO BOARD HEADER | |
| | | | J1 | | |

 * END OF BILL OF MATERIALS REPORT *
