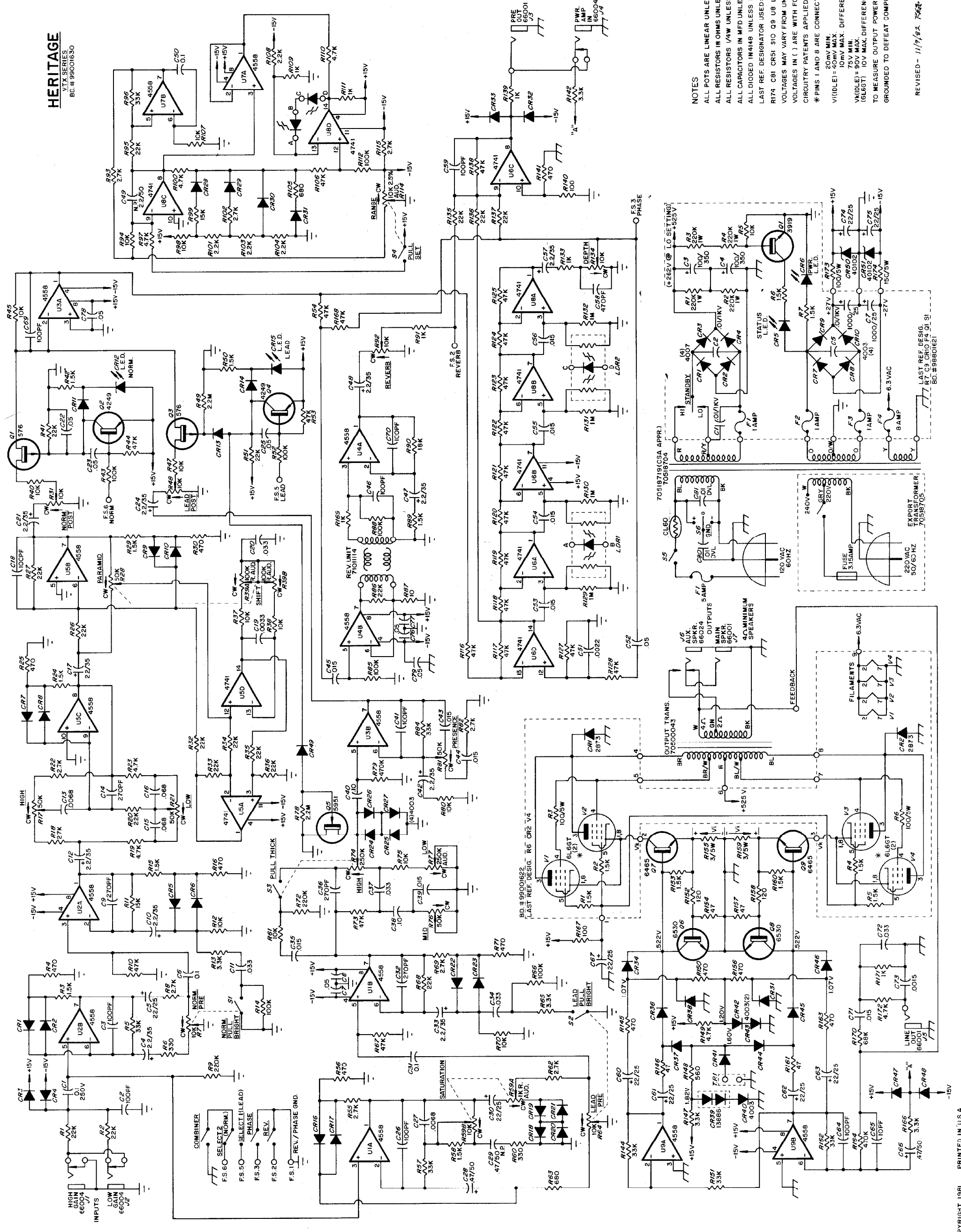


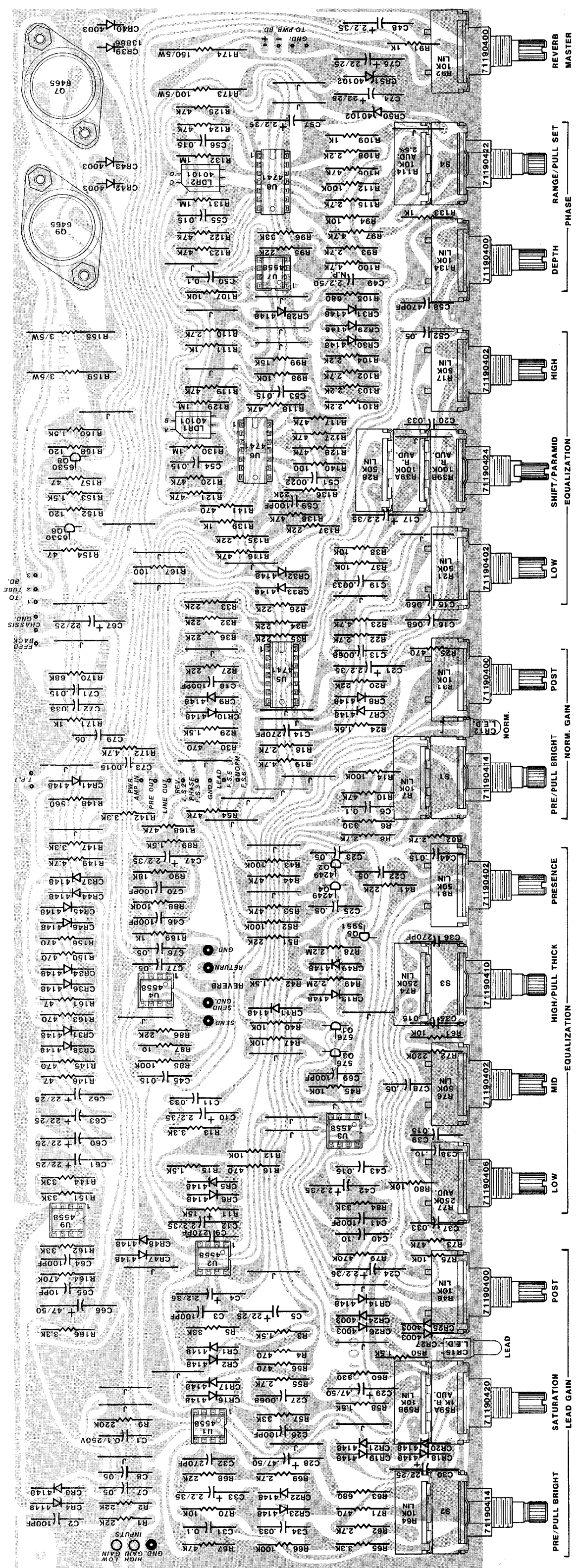
HERITAGE
VTA SERIES
BD # 99001630



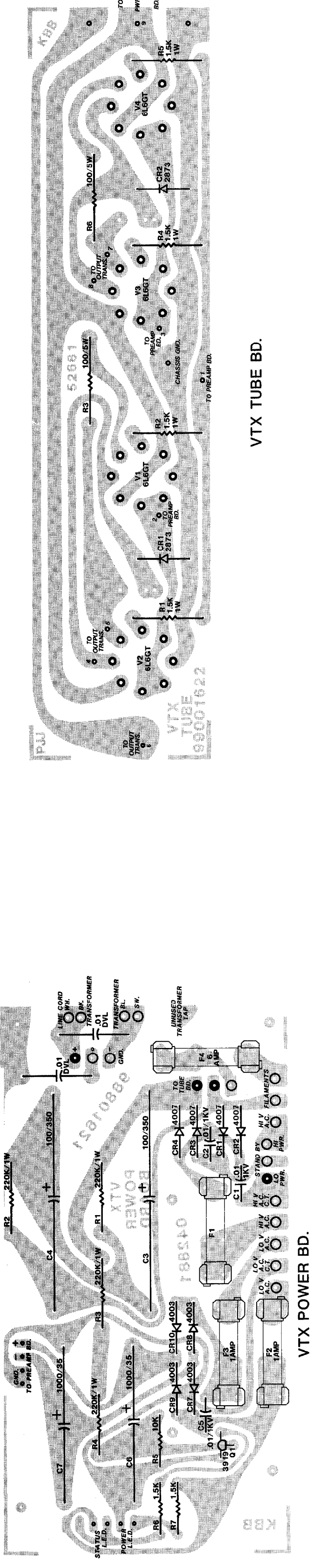
NOTES
ALL POTS ARE LINEAR UNLESS NOTED
ALL RESISTORS IN OHMS UNLESS NOTED
ALL RESISTORS 1/4W UNLESS NOTED
ALL CAPACITORS IN MFD UNLESS NOTED
ALL DIODES IN 1N4148 UNLESS NOTED
LAST REF. DESIGNATOR USED:
R174 C81 CR51 Q9 U8 LDR2 F1 J7
VOLTAGES MAY VARY FROM UNIT TO UNIT
VOLTAGES IN () ARE WITH FOOTSWITCH CLOSED
CIRCUITRY PATENTS APPLIED FOR AND PENDING
* PINS 1 AND 8 ARE CONNECTED ON ALL TUBES
V(I) (DLE) = 200V MIN.
100V MAX. DIFFERENCE BETWEEN SIDES
V(K) (DLE) = 90V MAX.
40102 40102
TO MEASURE OUTPUT POWER RATING AT 5% T.H.D., T.P.I. MUST BE
GROUNDED TO DEFEAT COMPRESSION EFFECT OF POWER AMP.

PEAVEY ELECTRONICS CORP.
MERIDIAN, MS.
DRAWN BY *[Signature]* DATE 8/25/81
C.B. CHECK *[Signature]*
CHECK BY *[Signature]*
APPR. BY *[Signature]*

REVISED - 11/19/82 *[Signature]*



HERITAGE
VTX SERIES



VTX TUBE BD.

VTX POWER BD.