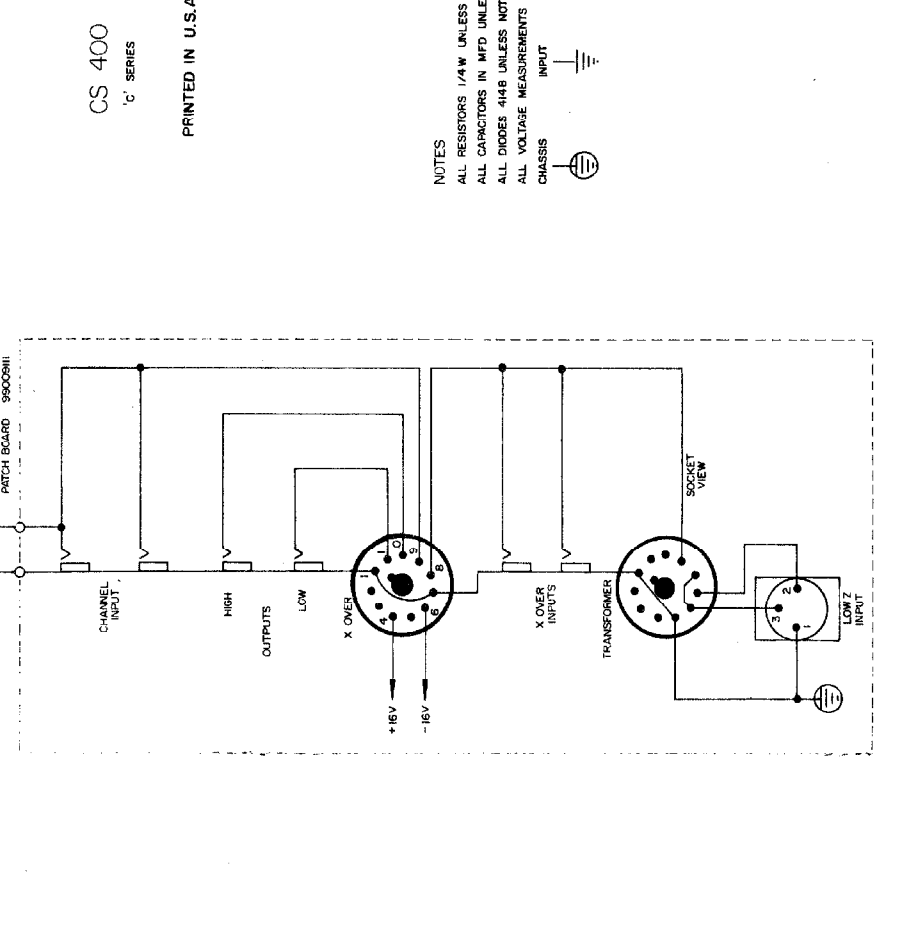
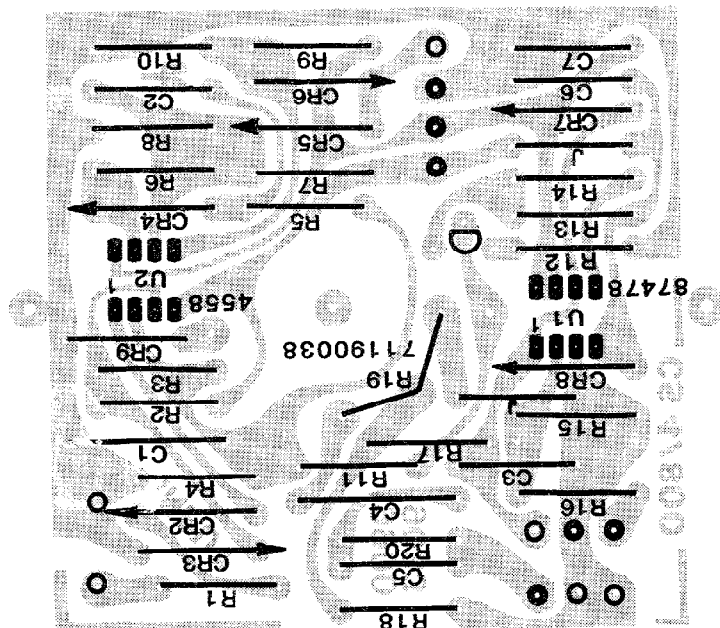
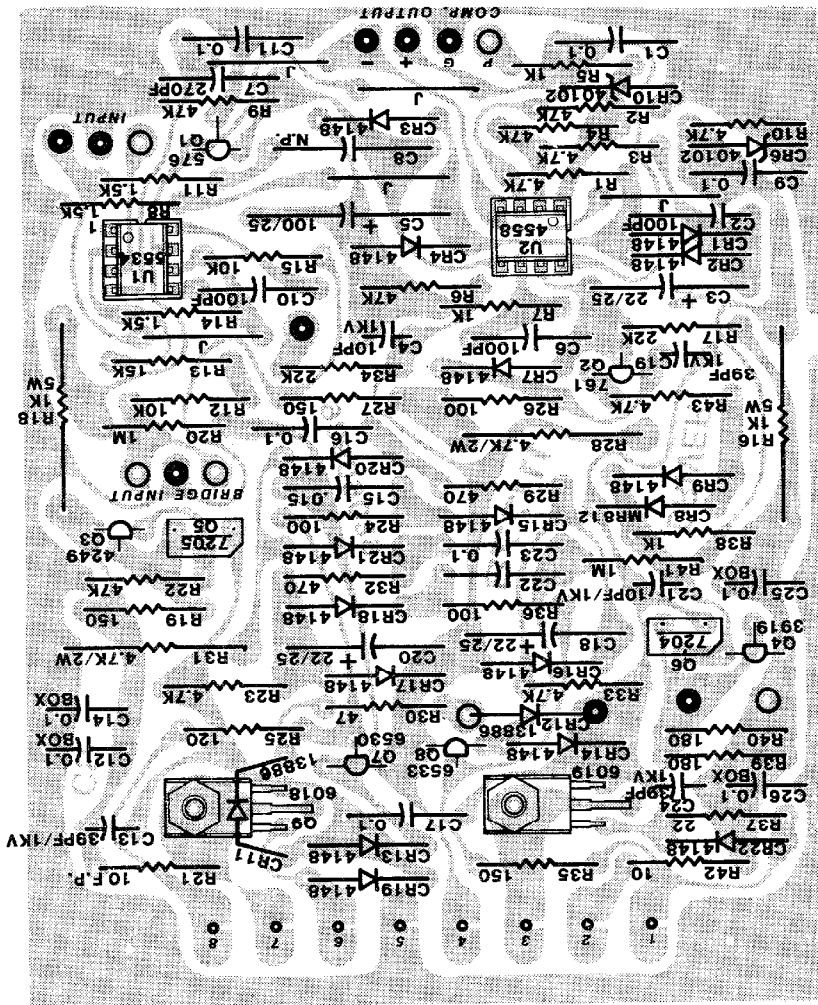


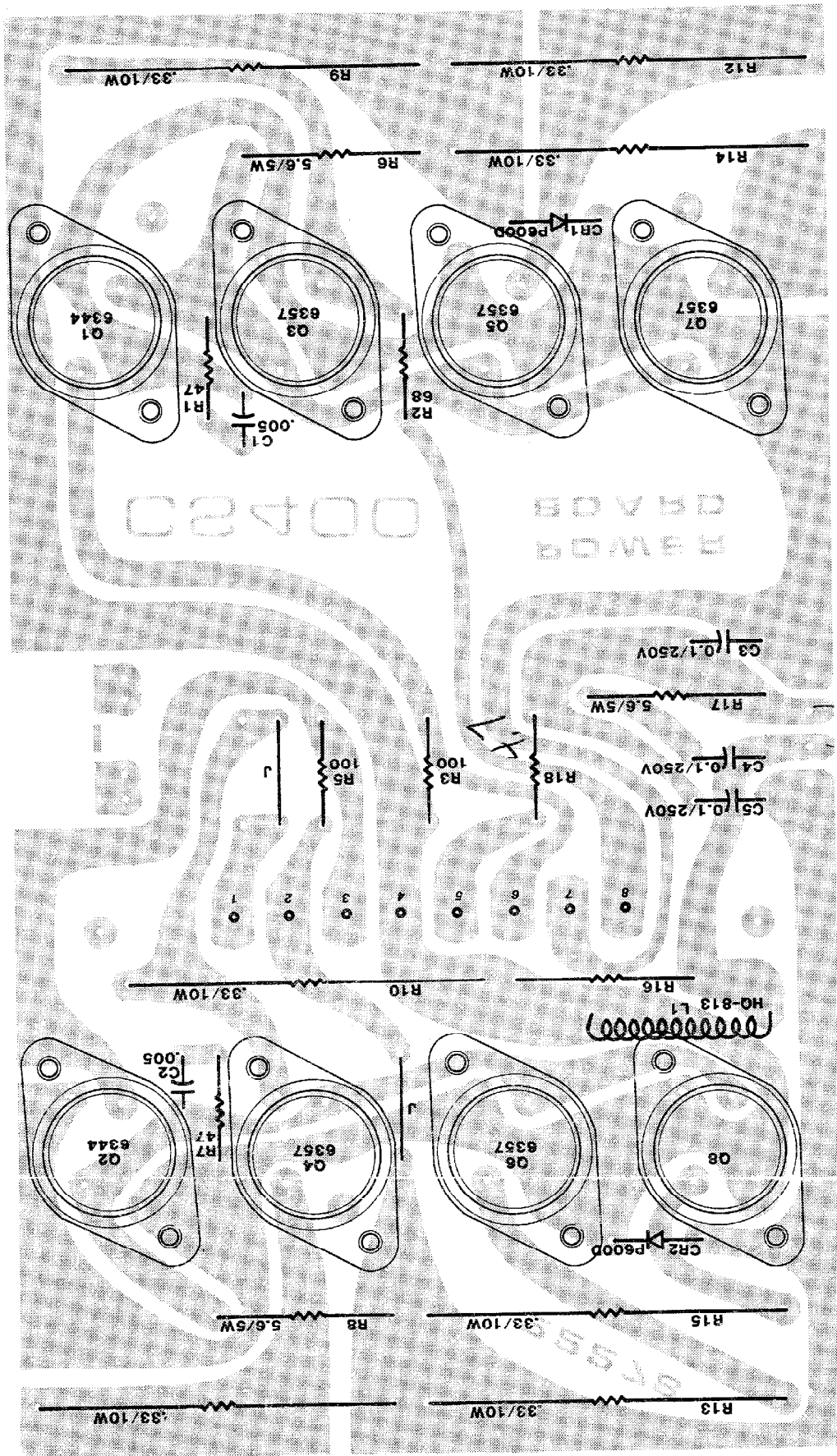
CS 400
 'C' SERIES
 PRINTED IN U.S.A.

- NOTES
- ALL RESISTORS 1/4W UNLESS NOTED
 - ALL CAPACITORS IN MFD UNLESS NOTED
 - ALL DIODES 4148 UNLESS NOTED
 - ALL VOLTAGE MEASUREMENTS ARE REF. TO GND.
- INPUT
- OUTPUT



CS-400 DRIVER BD.





CS-4μ PWR. BD.