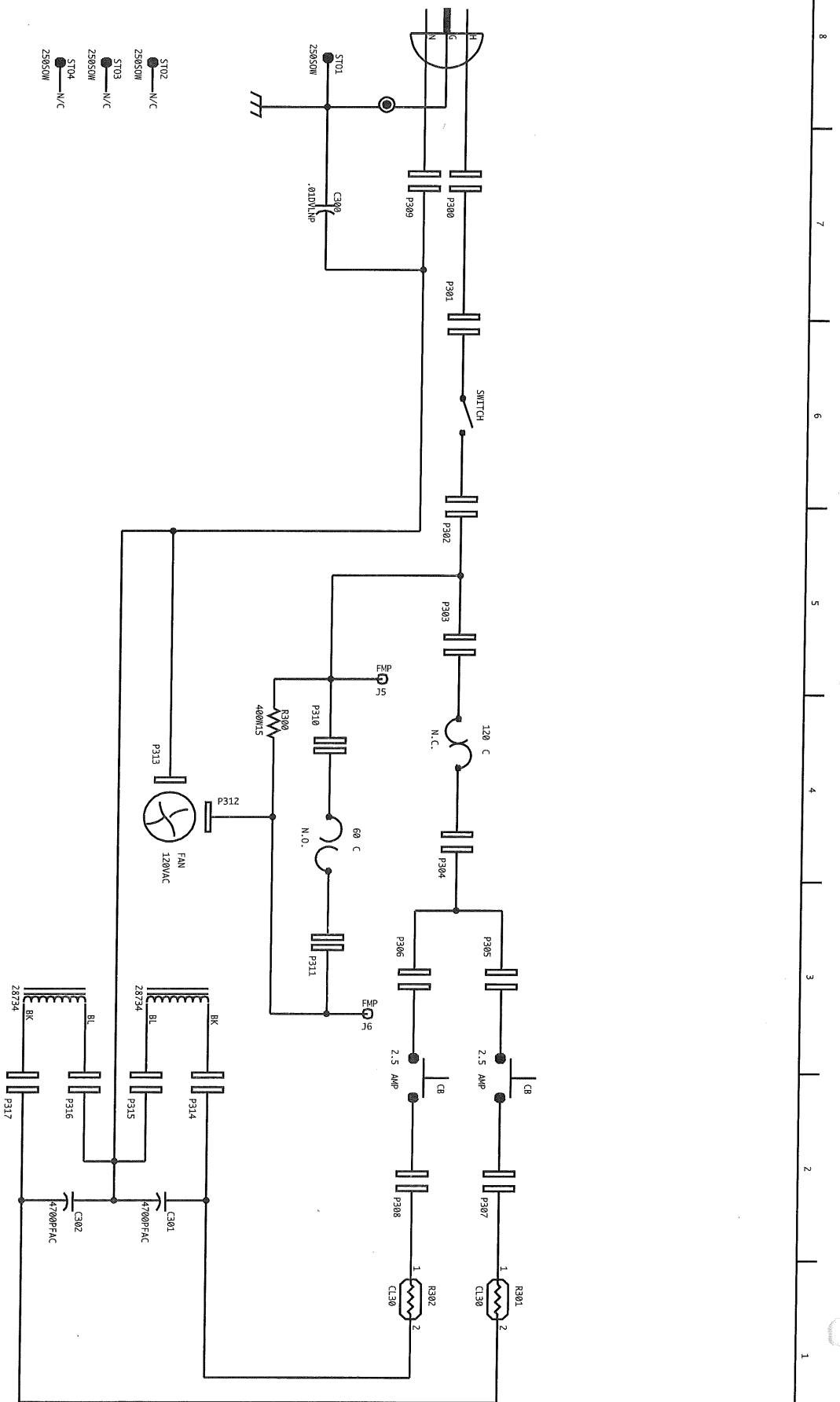


PV500C Input

BOARD NAME: PV5IN

** QTY.	PART NAME	VALUE	PART NUMBER	DESCRIPTION AND DEVICE DESIGNATIONS
2	2.2R50NP	2.2R50NP	70320184	2.2MF—20%—50VDC—NP—T&A C200, C201
4	1N5393	5393	70465393	1N5393—RL 200V, 1.5, 5% DIODE —T&R CR200, CR201, CR202, CR203
4	HIDMI	71466215	71466215	2 TIF HID JACK INSU W/SPD J200, J201, J202, J203
1	SPX3	SPX3	XXXXSPX3	3 EACH OF STAKE PINS P200
1	SPX4	SPX4	XXXXXXXX	4 EACH OF STAKE PINS P201
1	SPX6K3U	SPX6K3U	XXXXXXXXXX	5 EACH OF STAKE PINS P202
1	SFD	.73716194	73716194	.250 PC MNT SPADE .093 PCB P203
4	1K	1K	70240017	1K—1/4W—5%—CF—T&R R200, R201, R202, R203
2	SUZPP	SUZPP	71322251	SUZ P/P SWITCH PC MOUNT S200, S201
2	POT0335	71190335	71190335	50K LIN METRIC SPIDER 1MM VR200, VR201

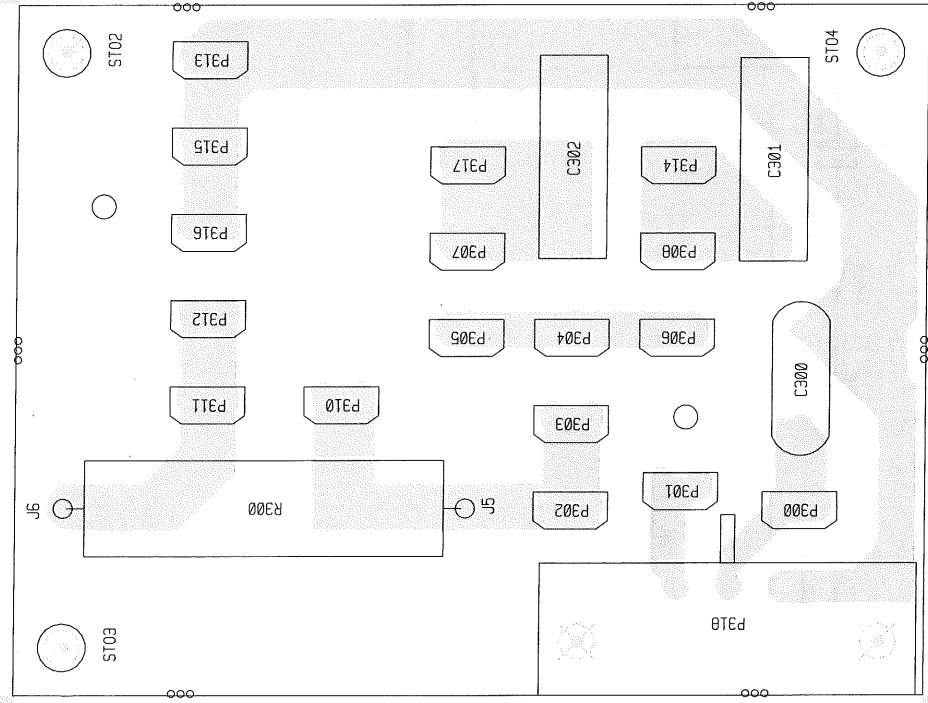


NOTICE: THIS CIRCUITRY IS PROTECTED BY U.S. PATENT NO. 4,318,063 OWNED BY PEAVEY ELECTRONICS CORP. USE OR COPYING WITHOUT EXPRESS WRITTEN AUTHORITY FROM PEAVEY IS STRICTLY FORBIDDEN AND VIOLATORS WILL BE PROSECUTED UNDER U.S. PATENT LAWS.

PEAVEY ELECTRONICS CORP.		711 A STREET	
MERIDIAN, MISSISSIPPI 39901			
TITLE PVS000 DOMESTIC AC BD.			
SIZE B	CODE	NUMBER 81500127	REV A
PRINT	DATE 11-06-97	SHEET 1	OF 1

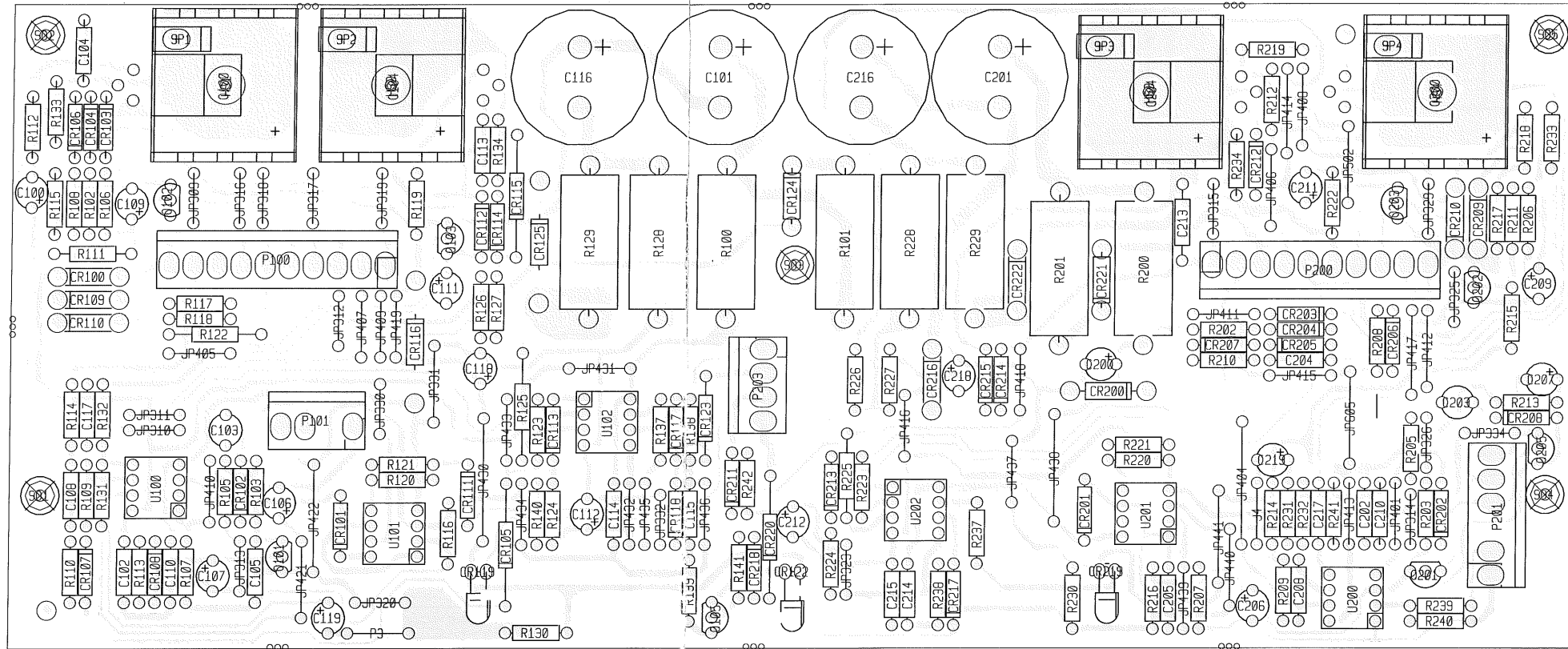
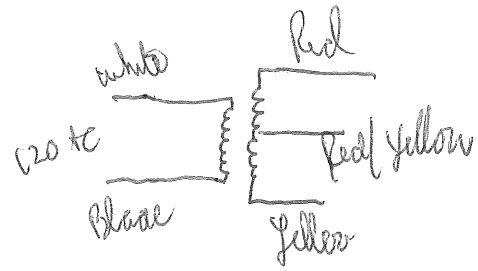
BOARD NAME: PV5EXAC

** QTY. NAME	VALUE	PART NUMBER	DESCRIPTION AND DEVICE DESIGNATIONS
1	4700PFY	70320125	4700PF, 400VAC EXP LINE CAP Y
2	.1X2	70320298	C300 1MF 250VAC X2 20%
2	FMP	73711811	C301, C302 ML18-171 C.B. FEMALE MOLEX PIN
17	SPD	73716194	J5, J6 .250 PC MNT SPADE .093 PCB P300, P301, P302, P303, P304, P305, P306, P307, P308, P310, P311, P312, P313, P314, P315, P316, P317 IEC POWER INLET R/A PCB MT.
1	IECPCB	70901257	F318 IEC POWER INLET R/A PCB MT.
1	2.8KW15	2.8KW15	2800 15W 10% WW AXL
3	250SOW	70900785	R300 SPACER, 1/4,R(#4),.187 SWAGE ALUM. ST02, ST03, ST04



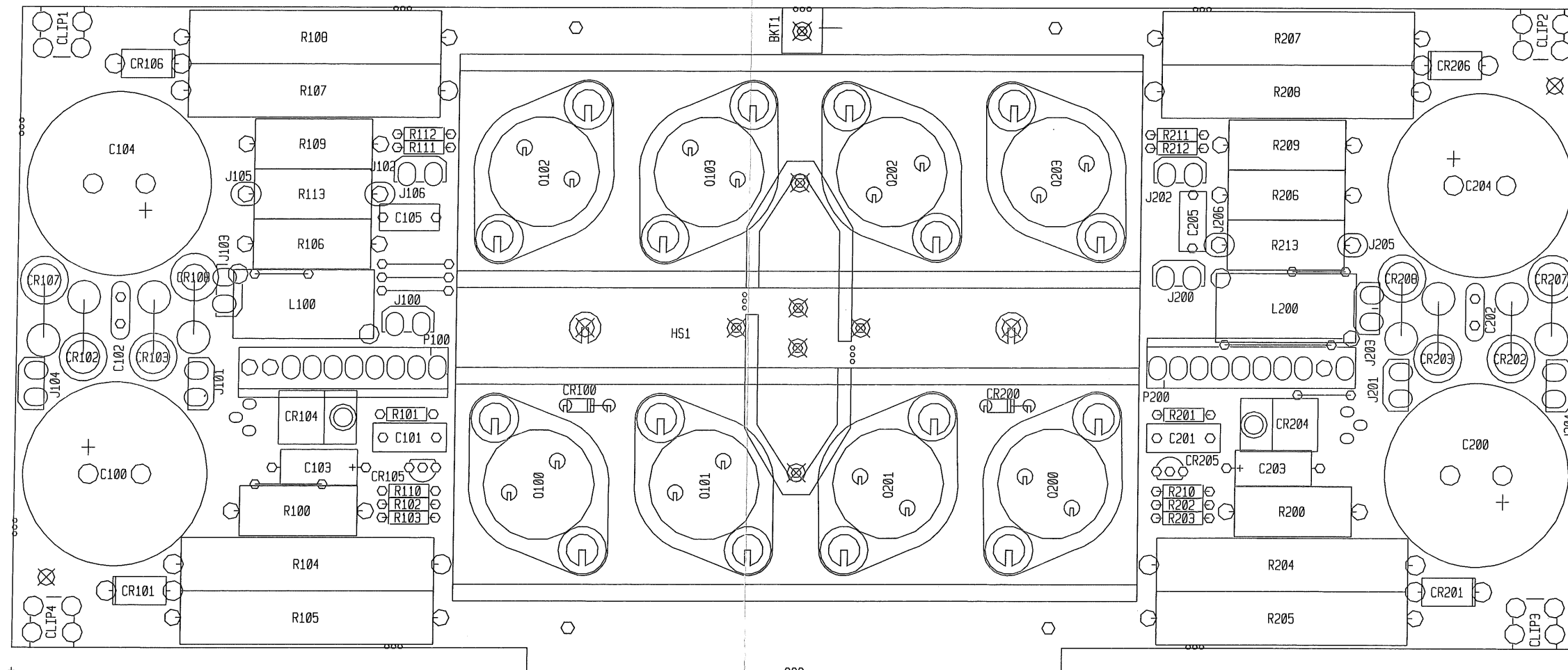
PV500 EXPORT AC

705 28734

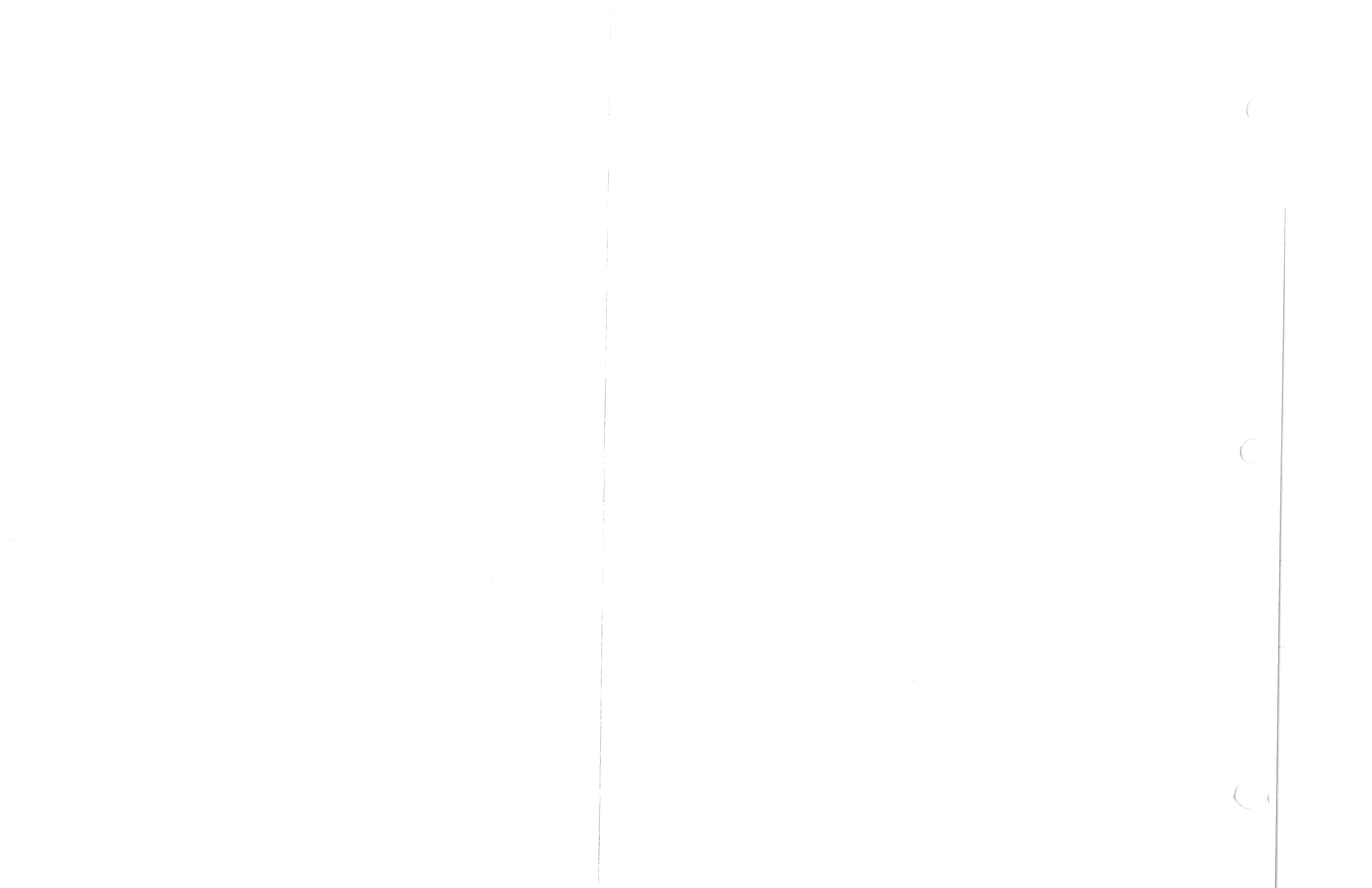


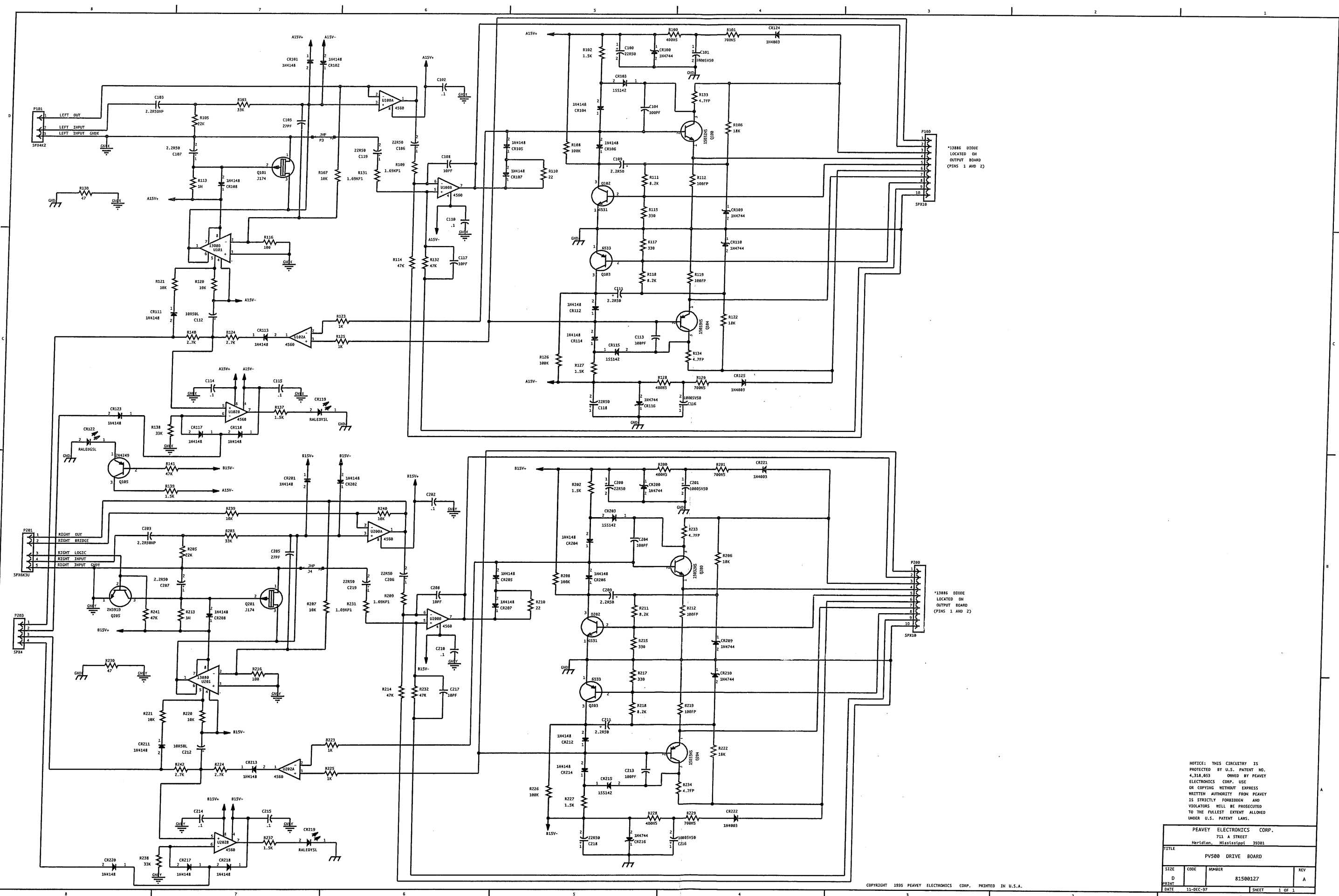
PV500 Drive

PV 500



PV4C OUTPUT
98871781





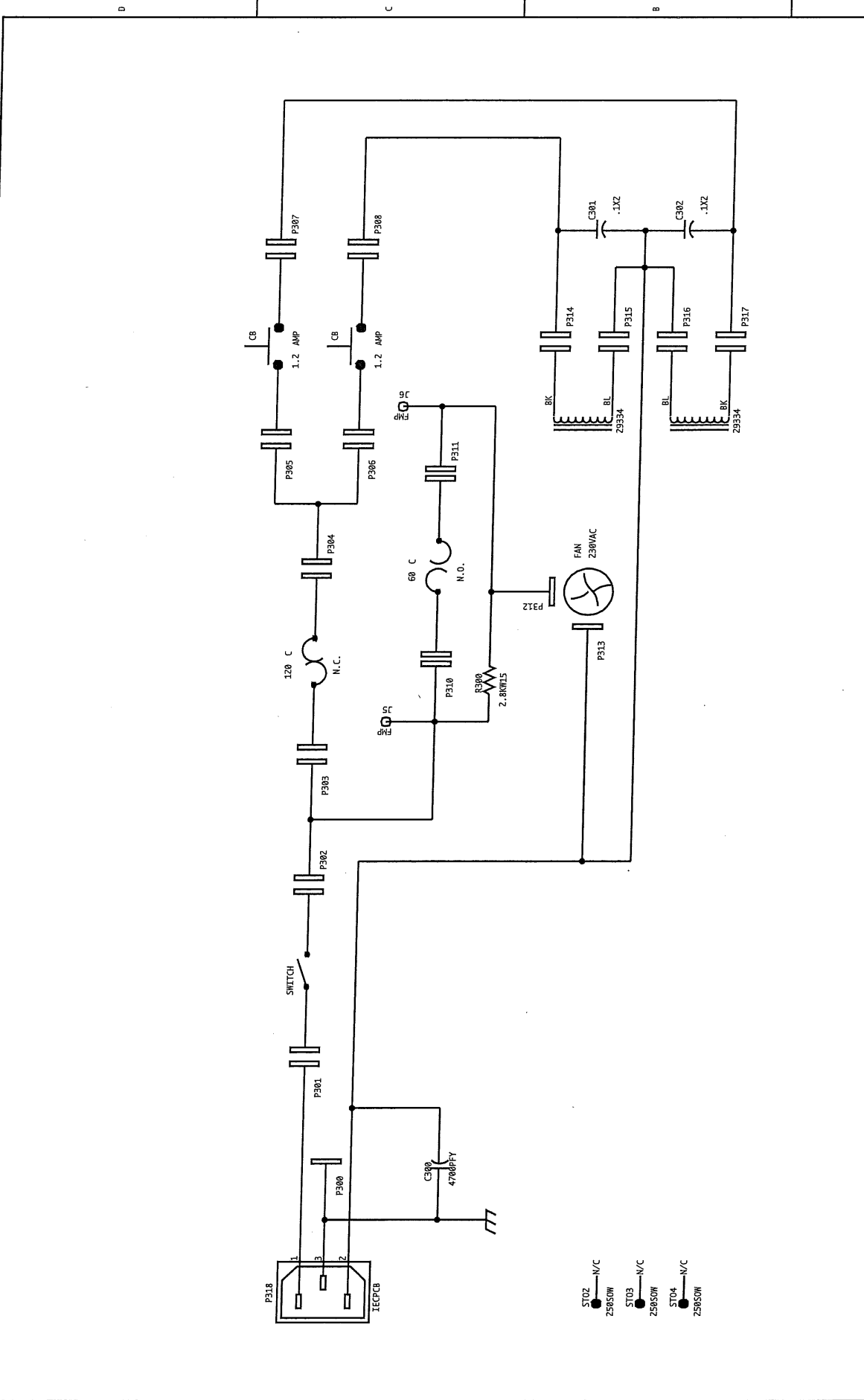
*13886 DIODE
LOCATED ON
OUTPUT BOARD
(PINS 1 AND 2)

*13886 DIODE
LOCATED ON
OUTPUT BOARD
(PINS 1 AND 2)

NOTICE: THIS CIRCUITRY IS
PROTECTED BY U.S. PATENT NO.
4,314,853 OWNED BY PEAVY
ELECTRONICS CORP. USE
OR COPYING WITHOUT EXPRESS
WRITTEN AUTHORITY FROM PEAVY
IS STRICTLY FORBIDDEN AND
VIOLATORS WILL BE PROSECUTED
TO THE FULLEST EXTENT ALLOWED
UNDER U.S. PATENT LAWS.

PEAVY ELECTRONICS CORP. 711 A STREET Meridian, Mississippi 39361			
TITLE PV500 DRIVE BOARD			
SIZE D	CODE	NUMBER 81580127	REV A
PRINT	DATE 11-DEC-97	SHEET 1 OF 1	

1 2 3 4 5 6 7 8



NOTICE: THIS CIRCUITRY IS PROTECTED BY U.S. PATENT NO. 4,318,053 OWNED BY PEAVEY ELECTRONICS CORP. USE OR COPYING WITHOUT EXPRESS WRITTEN AUTHORITY FROM PEAVEY IS STRICTLY FORBIDDEN AND VIOLATORS WILL BE PROSECUTED TO THE FULLEST EXTENT ALLOWED UNDER U.S. PATENT LAWS.

PEAVEY ELECTRONICS CORP. 711 A STREET MERIDIAN, MISSISSIPPI 39301	
TITLE PV500 EXPORT AC BD.	
SIZE B	CODE NUMBER
PRINT DATE	81500127
REV A	

COPYRIGHT 1985 PEAVEY ELECTRONICS CORP. PRINTED IN U.S.A.

11-DEC-97 SHEET 1 OF 1

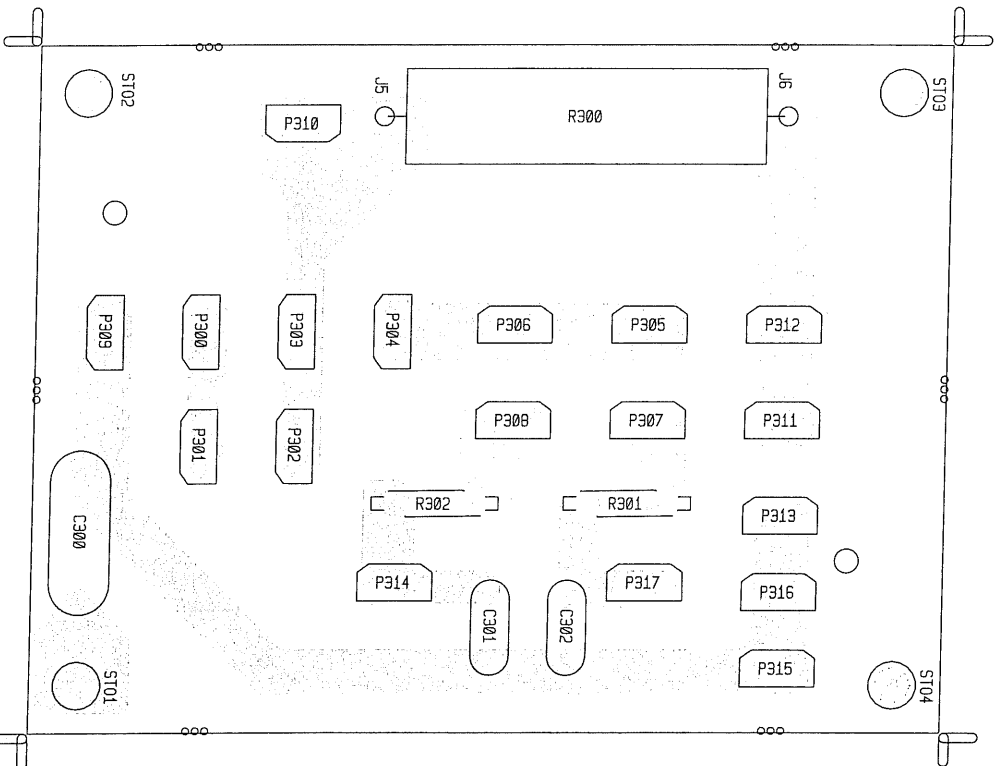
- ST02 -N/C
25650W
- ST03 -N/C
25650W
- ST04 -N/C
25650W

BOARD NAME: PV4C OTPT BD
 ASSEMBLY LEVEL NUMBER: 99371781

PART	NAME	VALUE	NUMBER	DESCRIPTION AND DEVICE DESIGNATIONS
1	LBRKT1	71500238	71500238	#74 L-BRACKET W/4-40 HOLE
1	3300R80	3300R80	70320132	BKT1 3300MF - 20% - 80VDC - EL - R/S
1	.22R100M	.22R100M	70330007	C100 .22 MFD 100VDC 5% MYLAR
1	.01CD	.01CD	70320248	C101 .01MF--20%-1000VDC-CD-T&A
1	2.2A50NP	2.2A50NP	70320010	C102 2.2MFD 20% 50V NP EL T&R
1	3300R80	3300R80	70320132	C103 3300MF - 20% - 80VDC - EL - R/S
1	.1BOX	.1BOX	70320086	C104 .1 MFD 100VDC 10% BOX CAP
1	3300R80	3300R80	70320132	C105 3300MF - 20% - 80VDC - EL - R/S
1	.22R100M	.22R100M	70330007	C200 .22 MFD 100VDC 5% MYLAR
1	.01CD	.01CD	70320248	C201 .01MF--20%-1000VDC-CD-T&A
1	2.2A50NP	2.2A50NP	70320010	C202 2.2MFD 20% 50V NP EL T&R
1	3300R80	3300R80	70320132	C203 3300MF - 20% - 80VDC - EL - R/S
1	.1BOX	.1BOX	70320086	C204 .1 MFD 100VDC 10% BOX CAP
4	CLIP1785	70901785	70901785	C205 screw term, 6-32 - pcb mnt. CLIP1, CLIP2, CLIP3, CLIP4
1	13886	13886	70413886	SZ-13886-2 DUAL DIODE
1	MR502	MR502	70400502	CR100 MR502/1N5402 200V, 3A SILICON DIODE
2	MR752CD	MR752CD	70400752	CR101 MR752/P600D 200V, 6A SIL DIODE -CATH DOWN
1	SAC187	SAC187	70400187	CR102, CR103 SAC187 200V TO220 TRIAC
1	SBS14	SBS14	70460014	CR104 SBS14 8V TO-92 BI-DIRECTIONAL SWITCH T&A
1	MR502	MR502	70400502	CR105 MR502/1N5402 200V, 3A SILICON DIODE
2	MR752CU	MR752CU	70400752	CR106 MR752/P600D 200V, 6A SIL DIODE -CATH UP
1	13886	13886	70413886	CR107, CR108 SZ-13886-2 DUAL DIODE
1	MR502	MR502	70400502	CR200 MR502/1N5402 200V, 3A SILICON DIODE
2	MR752CD	MR752CD	70400752	CR201 MR752/P600D 200V, 6A SIL DIODE -CATH DOWN
1	SAC187	SAC187	70400187	CR202, CR203 SAC187 200V TO220 TRIAC
1	SBS14	SBS14	70460014	CR204 SBS14 8V TO-92 BI-DIRECTIONAL SWITCH T&A
1	MR502	MR502	70400502	CR205 MR502/1N5402 200V, 3A SILICON DIODE
2	MR752CU	MR752CU	70400752	CR206 MR752/P600D 200V, 6A SIL DIODE -CATH UP
1	HS1466	98001466	98001466	CR207, CR208 204S HT/SNK HS1
5	SPD	73716194	73716194	J100, J101, J102, J103, J104 .250 PC MNT SPADE .093 PCB
2	MMP	MMP	73711812	J200, J201, J202, J203, J204 R93-12 FN C.B. MALE MOLEX PIN
5	SPD	73716194	73716194	J105, J106 .250 PC MNT SPADE .093 PCB
2	MMP	MMP	73711812	J205, J206 R93-12 FN C.B. MALE MOLEX PIN
2	.8MH	.8MH	70519917	L100, L200 .8MH AIR CORE COIL / CS1200
2	SPX10	SPX10	XXXXXXX	L100, L200 10 EACH OF STAKE PINS P100, P200

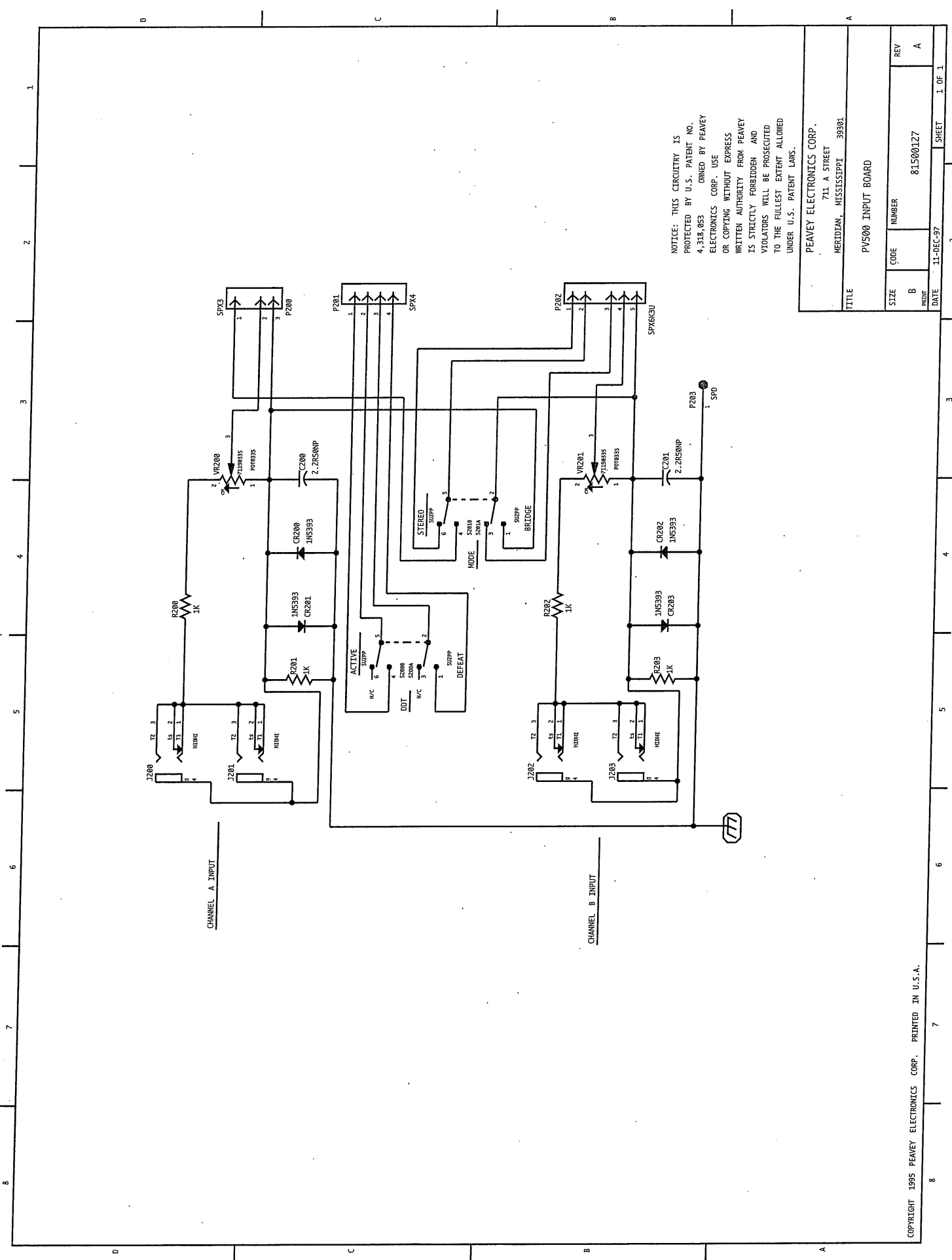
2	83180	83180	70483180	SJ-83180 NPN 3A 180V TO-3 PWR TRANS
2	73180	73180	70473180	Q100, Q101 SJ-73180 PNP 3A 180V TO-3 PWR TRANS
2	83180	83180	70483180	Q102, Q103 SJ-83180 NPN 3A 180V TO-3 PWR TRANS
2	73180	73180	70473180	Q200, Q201 SJ-73180 PNP 3A 180V TO-3 PWR TRANS
1	2KW5	2KW5	70250063	Q202, Q203 2K-5W-10%-WW-AXL
1	180	180	70240012	R100 180-1/4W-5%-CF-T&R
2	2.7K	2.7K	70240021	R101 2.7K-1/4W-5%-CF-T&R
2	.33W10	.33W10	70250011	R102, R103 .33-10W-10%-WW-AXL
1	5.6W5	5.6W5	70250026	R104, R105 5.6-5W-10%-WW-AXL
2	.33W10	.33W10	70250011	R106 .33-10W-10%-WW-AXL
1	2KW5	2KW5	70250063	R107, R108 2K-5W-10%-WW-AXL
1	47K	47K	70240031	R109 47K-1/4W-5%-CF-T&R
2	2.7K	2.7K	70240021	R110 2.7K-1/4W-5%-CF-T&R
1	5.6W5	5.6W5	70250026	R111, R112 5.6-5W-10%-WW-AXL
1	2KW5	2KW5	70250063	R113 2K-5W-10%-WW-AXL
1	180	180	70240012	R200 180-1/4W-5%-CF-T&R
2	2.7K	2.7K	70240021	R201 2.7K-1/4W-5%-CF-T&R
2	.33W10	.33W10	70250011	R202, R203 .33-10W-10%-WW-AXL
1	5.6W5	5.6W5	70250026	R204, R205 5.6-5W-10%-WW-AXL
2	.33W10	.33W10	70250011	R206 .33-10W-10%-WW-AXL
1	2KW5	2KW5	70250063	R207, R208 2K-5W-10%-WW-AXL
1	47K	47K	70240031	R209 47K-1/4W-5%-CF-T&R
2	2.7K	2.7K	70240021	R210 2.7K-1/4W-5%-CF-T&R
1	5.6W5	5.6W5	70250026	R211, R212 5.6-5W-10%-WW-AXL
				R213

PV 500 DOMESTIC A. C.



BOARD NAME: PVSAC

QTY.	PART NAME	VALUE	PART NUMBER	DESCRIPTION AND DEVICE DESIGNATIONS
1	.01DVLNP	.01DVLNP	70320104	.01 MFD 125VDC DVL NTLAR +0-208
2	4700PFAC	4700PFAC	70320114	C300 4700PF 400VAC EXP LINE CAP X
2	FMP	FMP	73711811	C301, C302 M18-171 C.B. FEMALE MOLEX PIN
18	SPD	73716194	73716194	J5, J6 .250 PC MNT SPADE .093 PCB
1	400W15	400W15	70250013	P300, P301, P302, P303, P304, P305, P306, P307, P308, P309, P310, P311, P312, P313, P314, P315, P316, P317
2	CL30	CL30	70240202	400-15W-108-W-AXL R300 INRUSH CURRENT LIMITER
4	250SOW	70900785	70900785	R301, R302 SPACER, 1/4, R(#4), .187 SNGR ALUM. ST01, ST02, ST03, ST04



NOTICE: THIS CIRCUITRY IS PROTECTED BY U.S. PATENT NO. 4,318,053 OWNED BY PEAVEY ELECTRONICS CORP. USE OR COPYING WITHOUT EXPRESS WRITTEN AUTHORITY FROM PEAVEY IS STRICTLY FORBIDDEN AND VIOLATORS WILL BE PROSECUTED TO THE FULLEST EXTENT ALLOWED UNDER U.S. PATENT LAWS.

PEAVEY ELECTRONICS CORP.
711 A STREET
MERIDIAN, MISSISSIPPI 39301

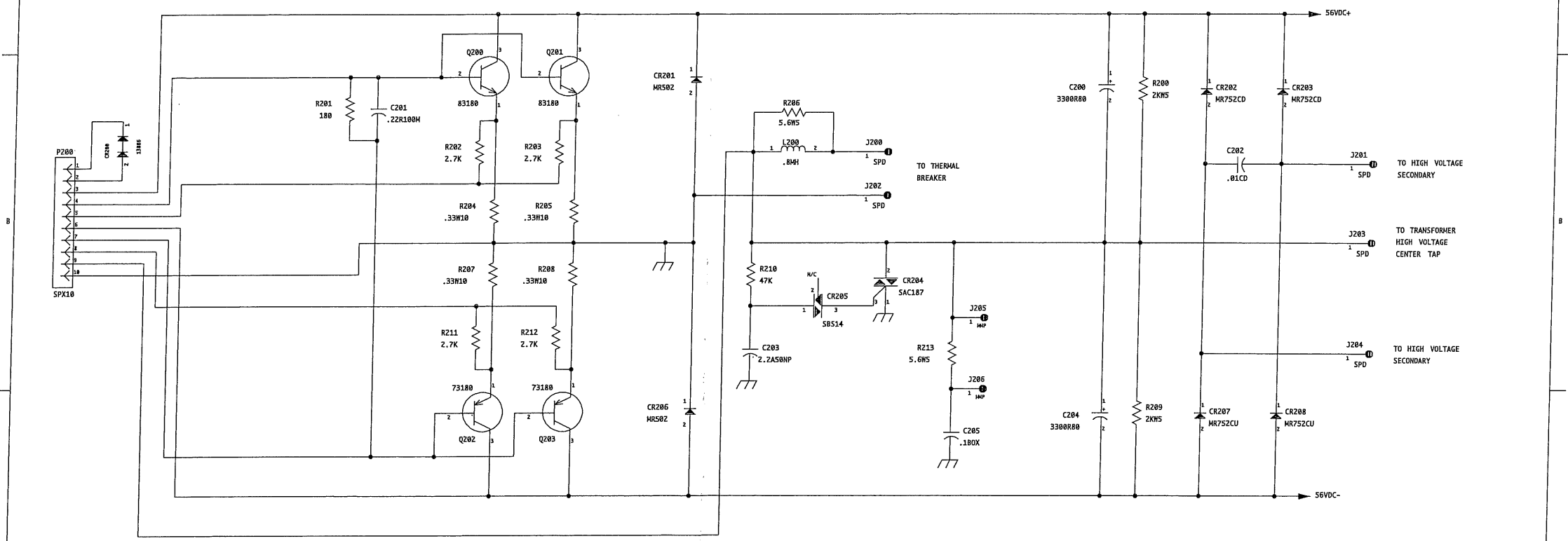
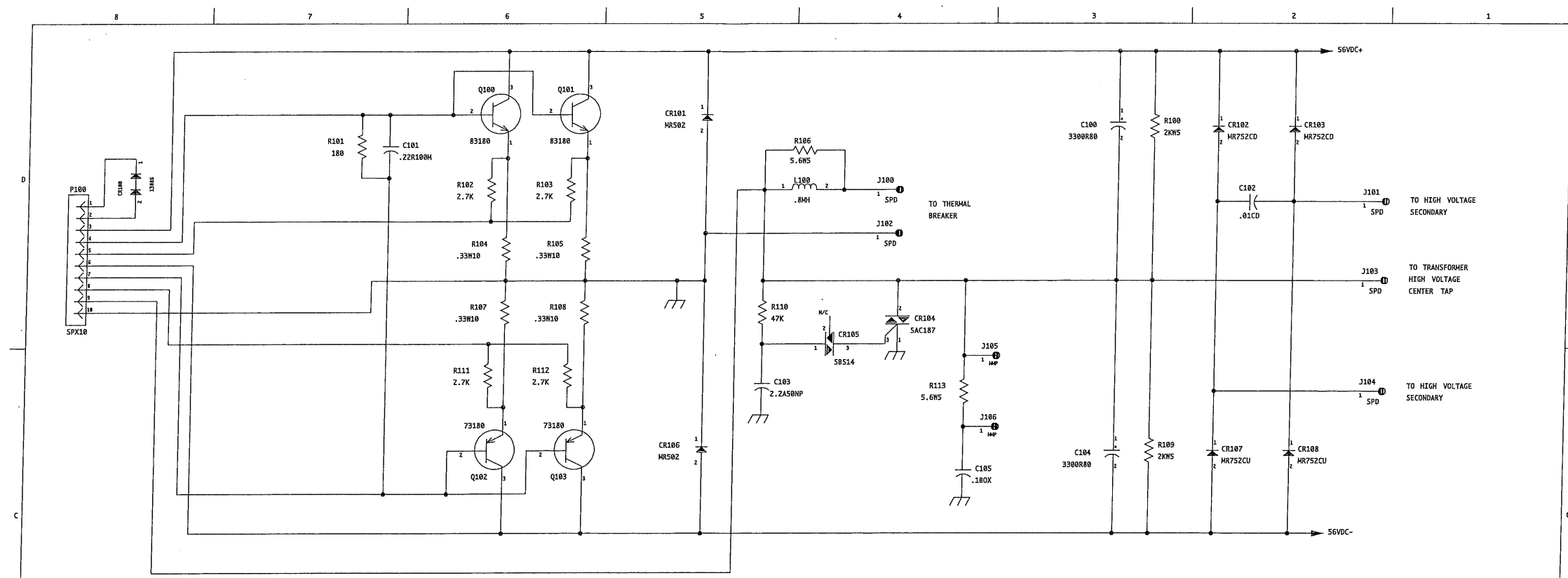
TITLE
PVS500 INPUT BOARD

SIZE	CODE	NUMBER	REV
B		81500127	A
PRINT	DATE	11-DEC-97	SHEET 1 OF 1

BOARD NAME: PV500 DRIVE

CBDS
PART
** QTY. NAME VALUE PART DESCRIPTION AND DEVICE DESIGNATIONS *****

Table with multiple columns: QTY, NAME, VALUE, PART NUMBER, DESCRIPTION AND DEVICE DESIGNATIONS, and various component identifiers. Includes parts like LEDs, diodes, transistors, and jumpers.



NOTICE: THIS CIRCUITRY IS PROTECTED BY U.S. PATENT NO. 4,318,453 OWNED BY PEAVEY ELECTRONICS CORP. USE OR COPYING WITHOUT EXPRESS WRITTEN AUTHORITY FROM PEAVEY IS STRICTLY FORBIDDEN AND VIOLATORS WILL BE PROSECUTED TO THE FULLEST EXTENT ALLOWED UNDER U.S. PATENT LAWS.

LAST REF USED: C105, CR108, J106, L100, P100, Q103, R113
 LAST REF USED: C205, CR208, J206, L200, P200, Q203, R213

#81502381

PEAVEY ELECTRONICS CORP.			
711 A STREET			
MERIDIAN, MISSISSIPPI 39301			
TITLE			
PVAC OUTPUT BD.			
SIZE	CODE	NUMBER	REV
C		98871781	A
DATE	15-SEP-92		SHEET 1 OF 1