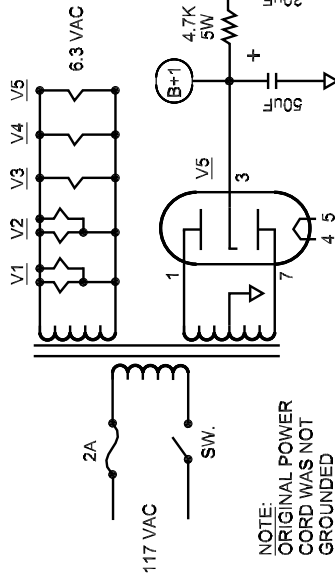
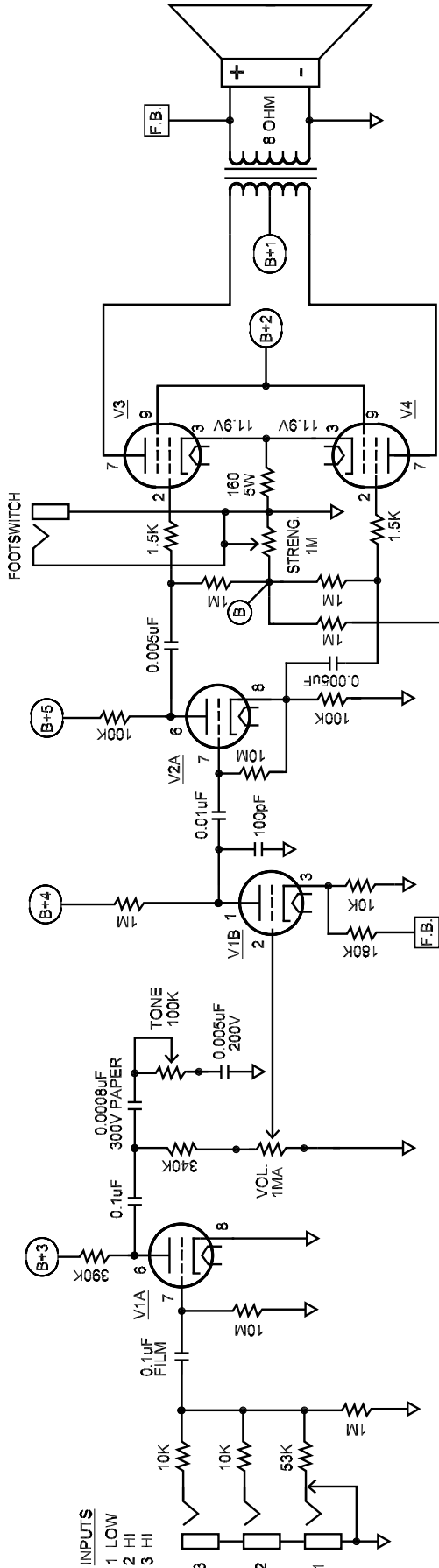


INPUTS

- 1 LOW
- 2 HI
- 3 HI

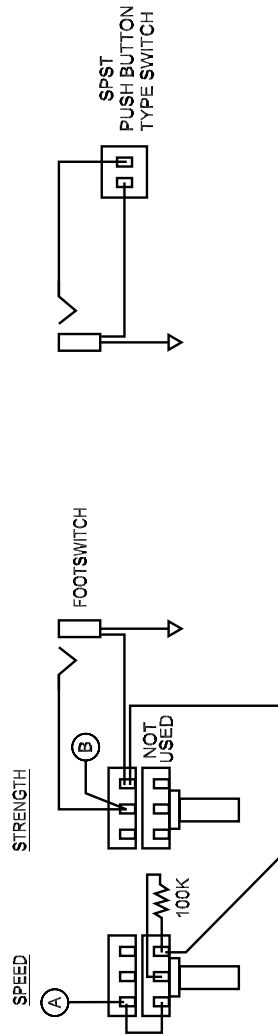


NOTE:
ORIGINAL POWER
CORD WAS NOT
GROUNDED

TUBES:	B+ VOLTAGES:
V1A - 1/2 12AX7	B+1 - 392V
V1B - 1/2 12AX7	B+2 - 342V
V2A - 1/2 12AX7	B+3 - 342V
V2B - 1/2 12AX7	B+4 - 342V
V3 - EL84 / 6BQ5	B+5 - 342V
V4 - EL84 / 6BQ5	B+6 - 342V
V5 - 6CA4 / EZ81	

NOTES:

1. ALL RESISTORS 1/2 WATT CARBON COMP UNLESS NOTED OTHERWISE.
2. ALL CAPS 1KV CERAMIC UNLESS NOTED OTHERWISE.
3. TREMOLO POTS ARE DUAL GANGED 1M. STRENGTH CONTROL USES ONLY ONE HALF OF POT.



TREMOLO CONTROL WIRING

FOOTSWITCH WIRING

Gregory MARK X

SCHEMATIC

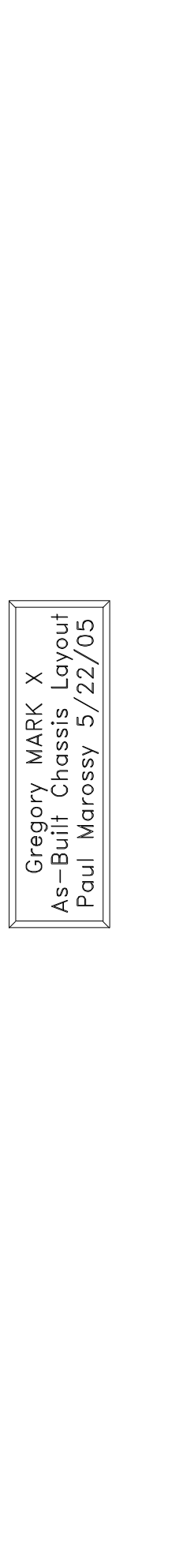
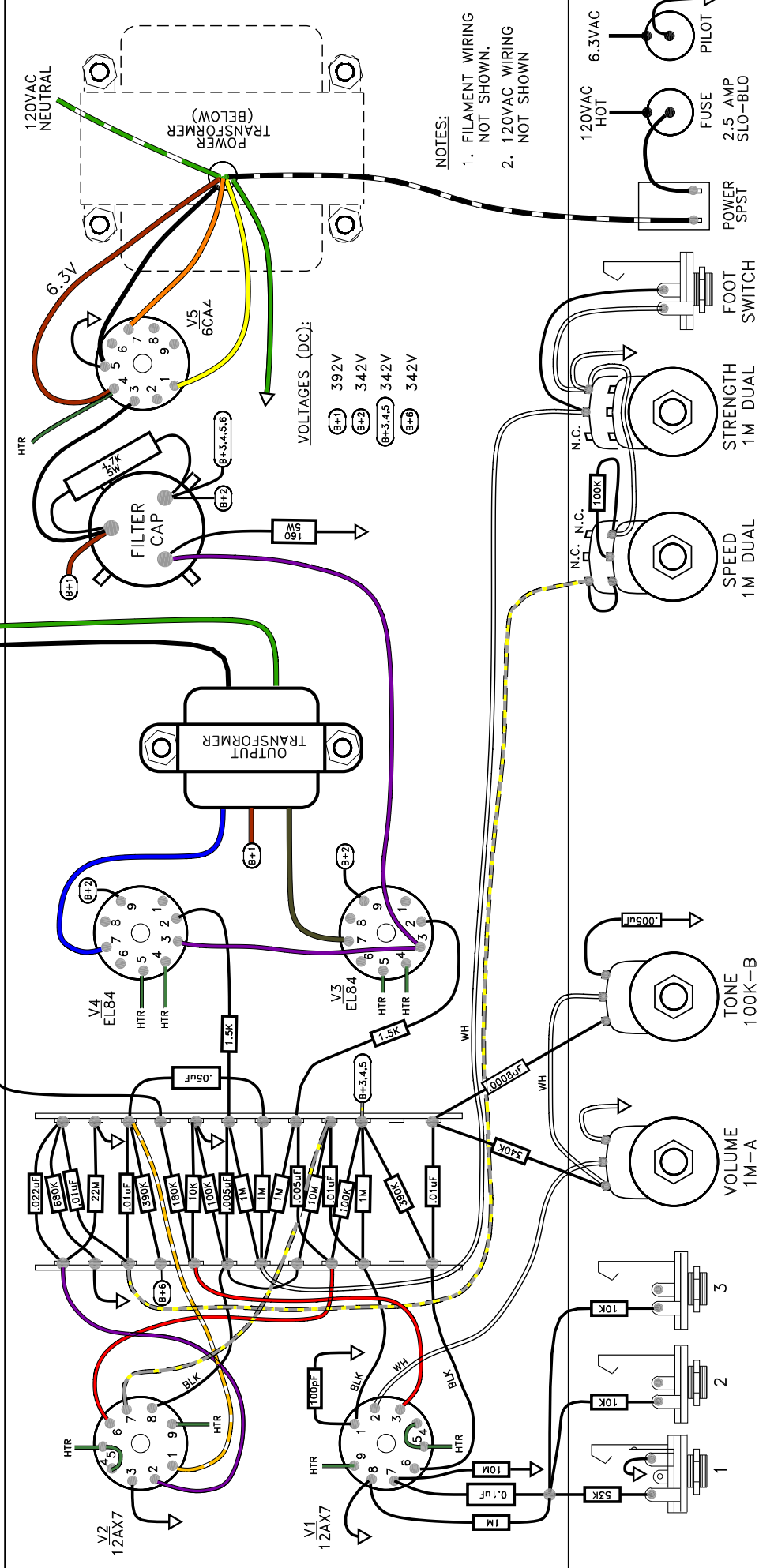
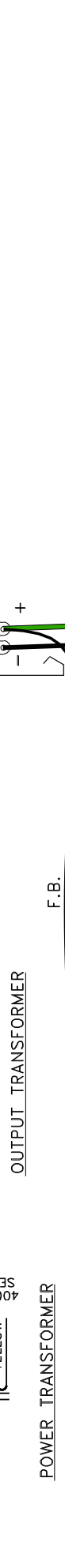
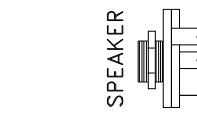
DRAWN BY PAUL MAROSSY 5/22/05

NOTE: THIS SCHEMATIC WAS DERIVED FROM THE ORIGINAL SCHEMATIC ATTACHED TO THE AMPLIFIER. USE AT YOUR OWN RISK.

- 6CA4 PINS:
- 1 PLATE #1
 - 2 NO CONNECTION
 - 3 CATHODE
 - 4,5 HEATER
 - 6 NO CONNECTION
 - 7 PLATE #2
 - 8 NO CONNECTION
 - 9 NO CONNECTION

- EL84 PINS:
- 1 INTERNALLY CONNECTED
 - 2 CONTROL GRID (GRID 1)
 - 3 CATHODE (GRID 3)
 - 4,5 HEATER
 - 6 INTERNALLY CONNECTED
 - 7 ANODE (PLATE)
 - 8 INTERNALLY CONNECTED
 - 9 SCREEN (GRID 2)

- 12AX7 PINS:
- 1 PLATE #1
 - 2 GRID #1
 - 3 CATHODE
 - 4,5 HEATER
 - 6 PLATE #2
 - 7 GRID #2
 - 8 CATHODE
 - 9 HTR. CENTER TAP



NOTES:

1. FILAMENT WIRING NOT SHOWN.
2. 120VAC WIRING NOT SHOWN

VOLTAGES (DC):

(B+1)	392V
(B+2)	342V
(B+3,4,5)	342V
(B+6)	342V

Gregory MARK X
As-Built Chassis Layout
Paul Marossy 5/22/05