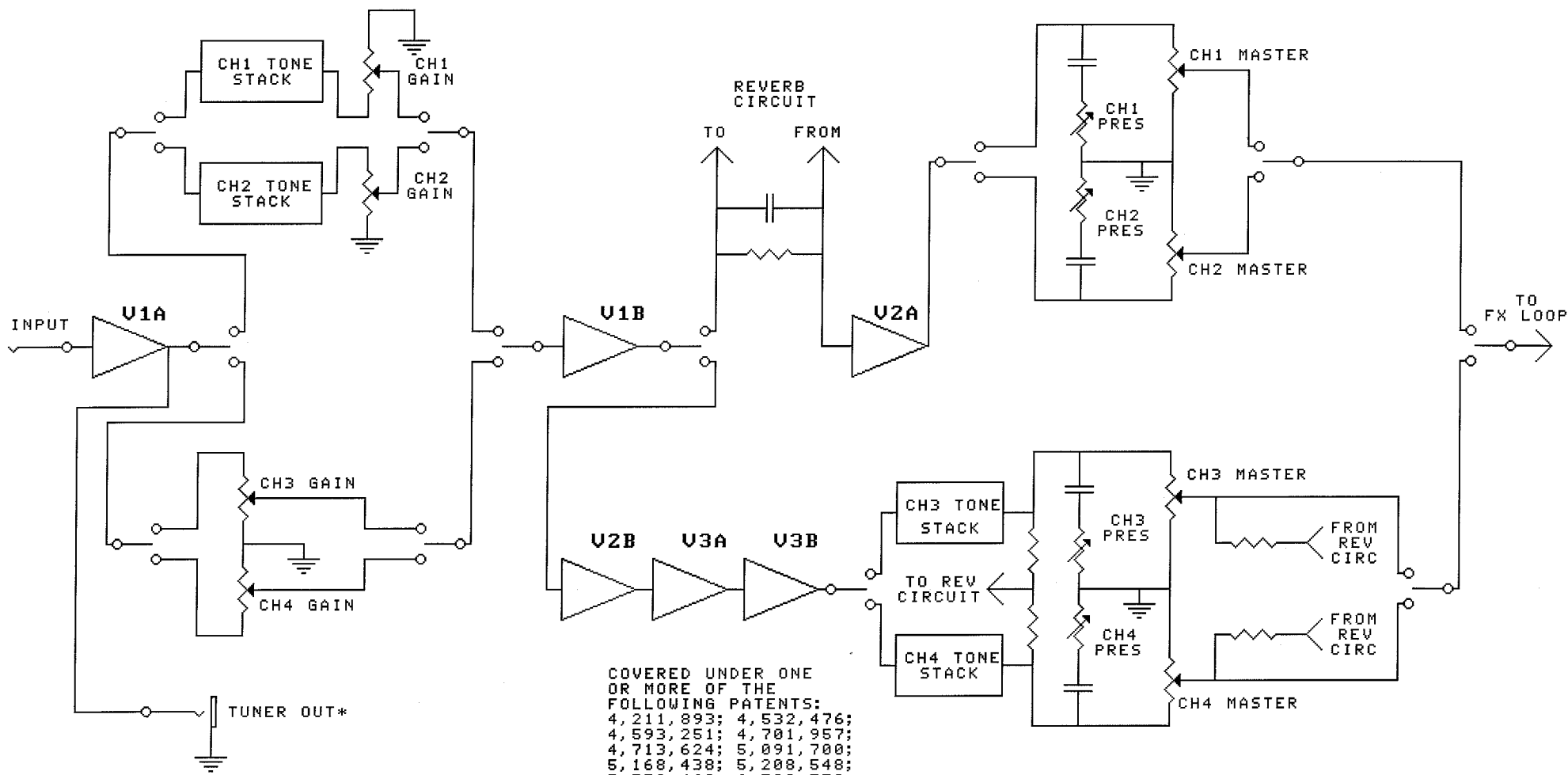




# MESA/BOOGIE ROAD KING SERIES II

## BLOCK DIAGRAM PT1

FILE: RKIIBLK.S01  
 DATE: 9/5/2006  
 DRAWN BY: JOHN M  
 PAGE: 1 OF 13  
 BOARD REV: RK8/RK9



\*RK9 BOARD REV

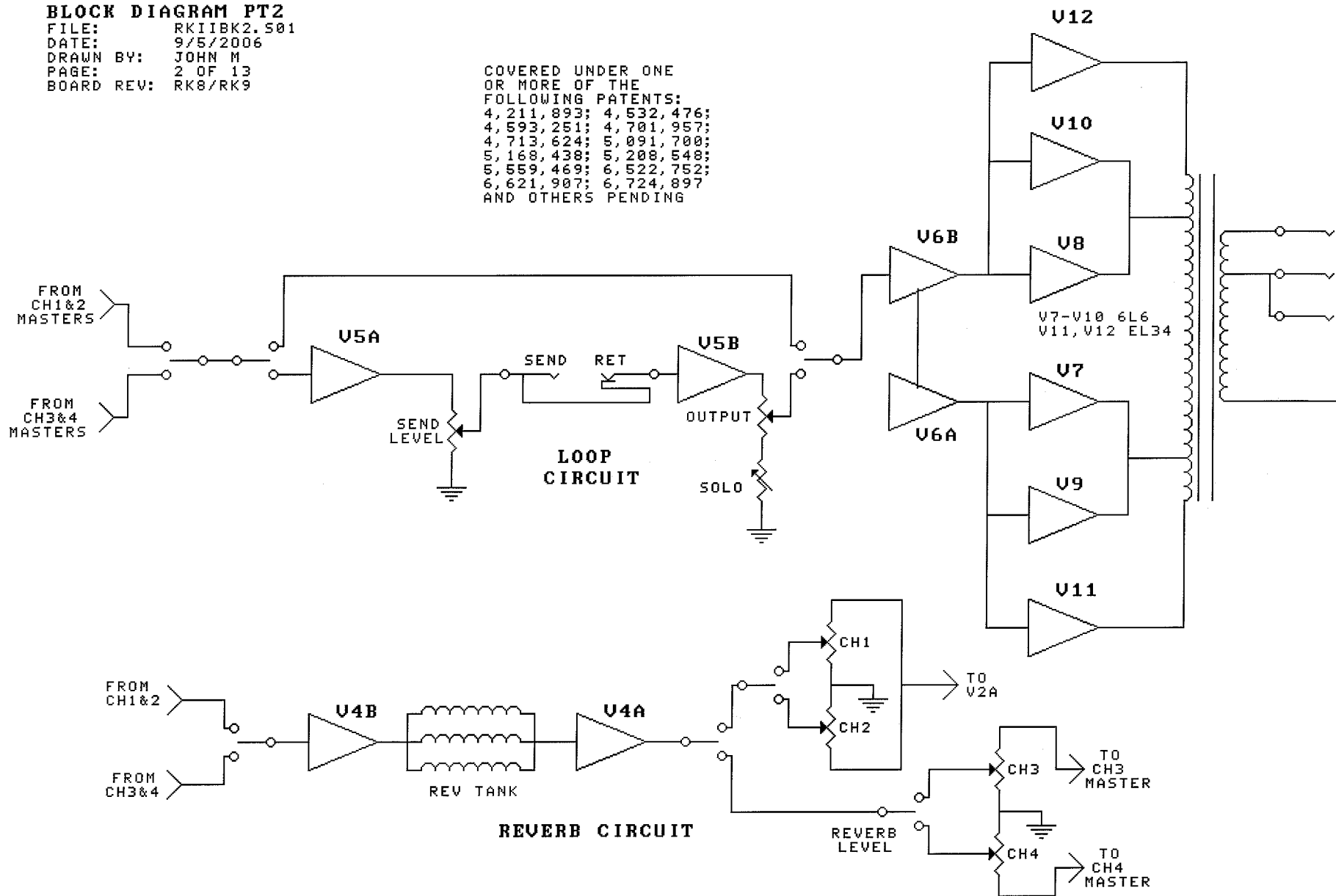
COVERED UNDER ONE  
 OR MORE OF THE  
 FOLLOWING PATENTS:  
 4,211,893; 4,532,476;  
 4,593,251; 4,701,957;  
 4,713,624; 5,091,700;  
 5,168,438; 5,208,548;  
 5,559,469; 6,522,752;  
 6,621,907; 6,724,897  
 AND OTHERS PENDING

# MESA/BOOGIE ROAD KING SERIES II

## BLOCK DIAGRAM PT2

FILE: RKIIBK2.S01  
 DATE: 9/5/2006  
 DRAWN BY: JOHN M  
 PAGE: 2 OF 13  
 BOARD REV: RK8/RK9

COVERED UNDER ONE  
 OR MORE OF THE  
 FOLLOWING PATENTS:  
 4,211,893; 4,532,476;  
 4,593,251; 4,701,957;  
 4,713,624; 5,091,700;  
 5,168,438; 5,208,548;  
 5,559,469; 6,522,752;  
 6,621,907; 6,724,897  
 AND OTHERS PENDING

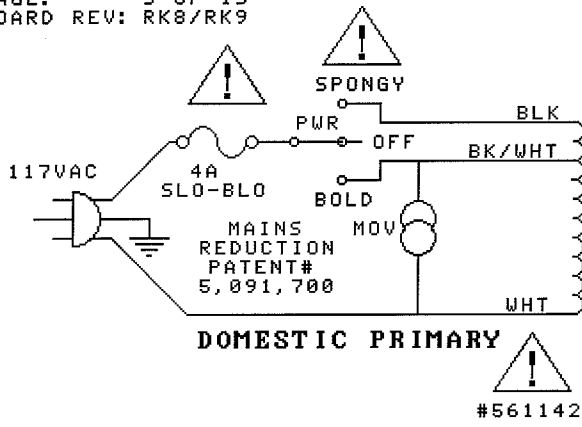


# MESA/BOOGIE

## ROAD KING SERIES II

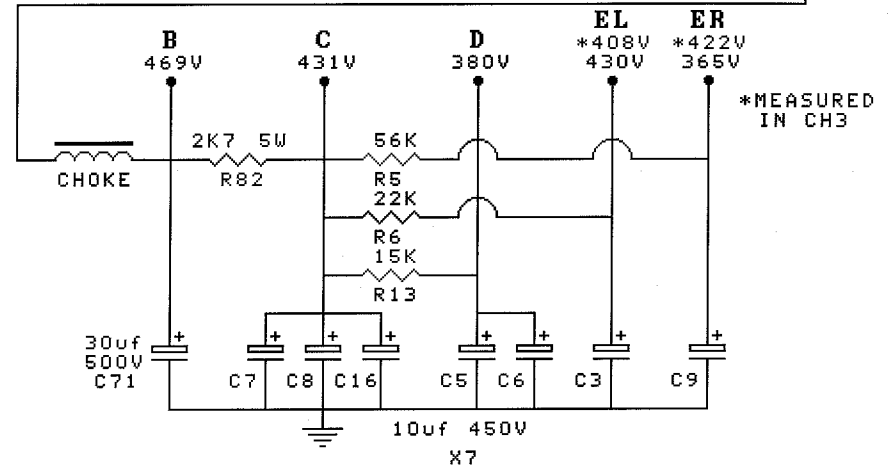
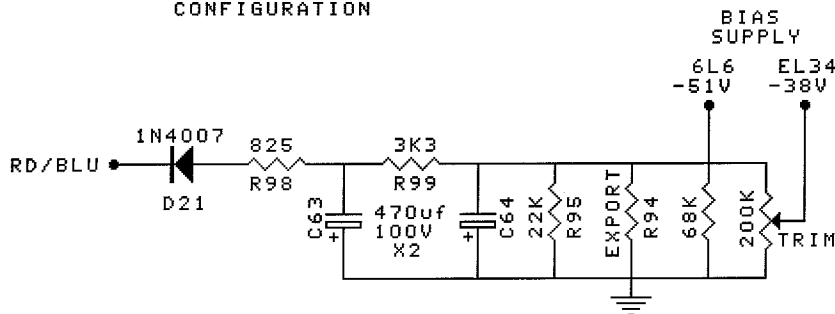
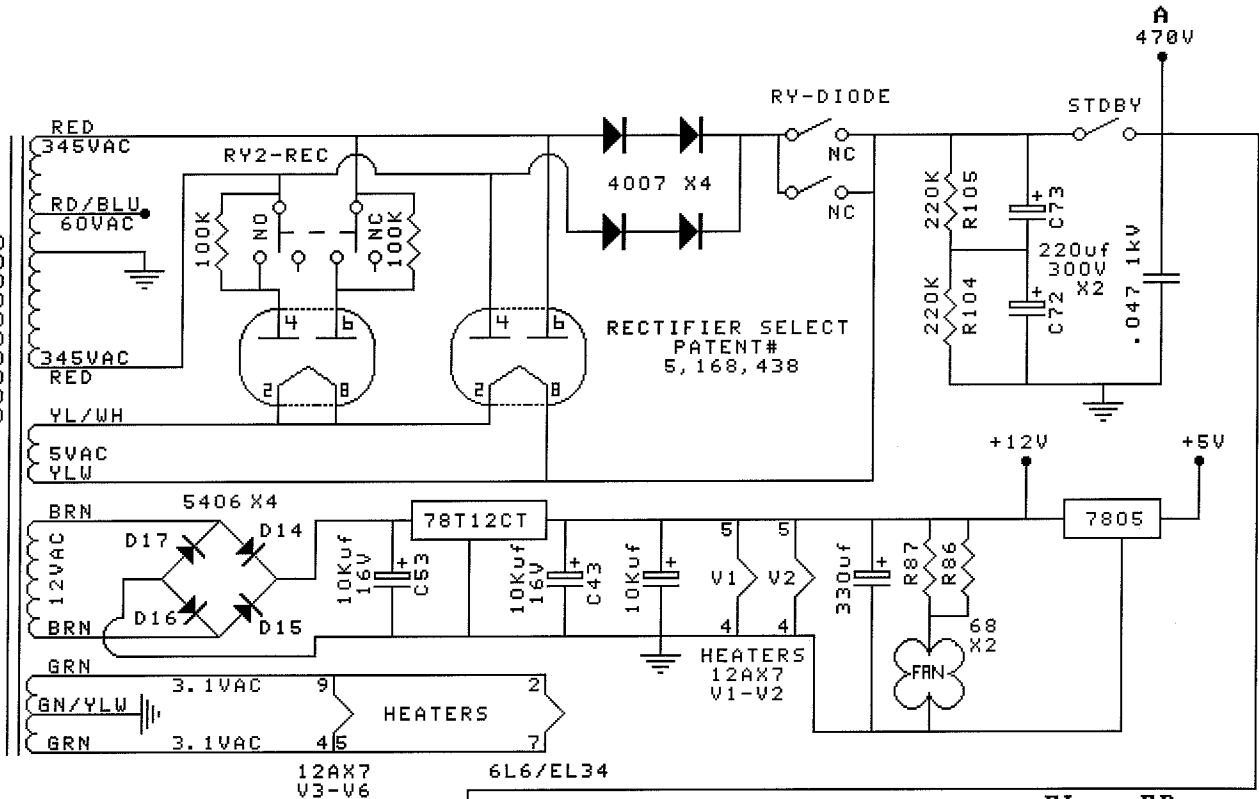
### POWER SUPPLY

FILE: RKIISUP.S01  
 DATE: 9/5/2006  
 DRAWN BY: JOHN M  
 PAGE: 3 OF 13  
 BOARD REV: RK8/RK9



COVERED UNDER ONE OR MORE OF THE FOLLOWING PATENTS:  
 4, 211, 893; 4, 532, 476;  
 4, 593, 251; 4, 781, 957;  
 4, 713, 624; 5, 091, 700;  
 5, 168, 438; 5, 208, 548;  
 5, 559, 469; 6, 522, 752;  
 6, 621, 987; 6, 724, 897  
 AND OTHERS PENDING

VOLTAGES MEASURED IN CH1, BOLD, DIODE, 46L6+2EL34 CONFIGURATION



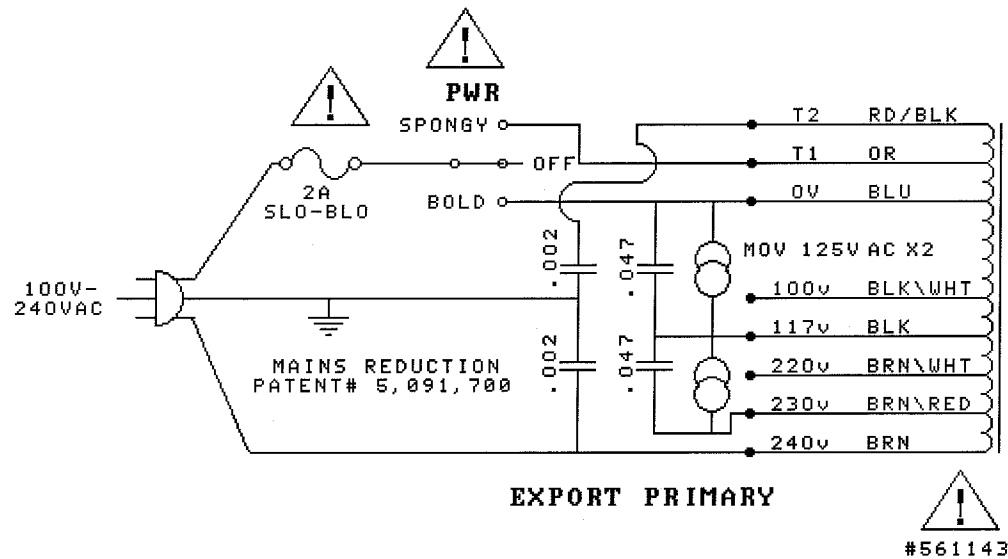
# MESA/BOOGIE

## ROAD KING SERIES II

### POWER SUPPLY PT2

FILE: RKIISP2.S01  
 DATE: 9/5/2006  
 DRAWN BY: JOHN M  
 PAGE: 4 OF 13  
 BOARD REV: RK8/RK9

COVERED UNDER ONE  
 OR MORE OF THE  
 FOLLOWING PATENTS:  
 4,211,893; 4,532,476;  
 4,593,251; 4,701,957;  
 4,713,624; 5,091,700;  
 5,168,438; 5,208,548;  
 5,559,469; 6,522,752;  
 6,621,907; 6,724,897  
 AND OTHERS PENDING



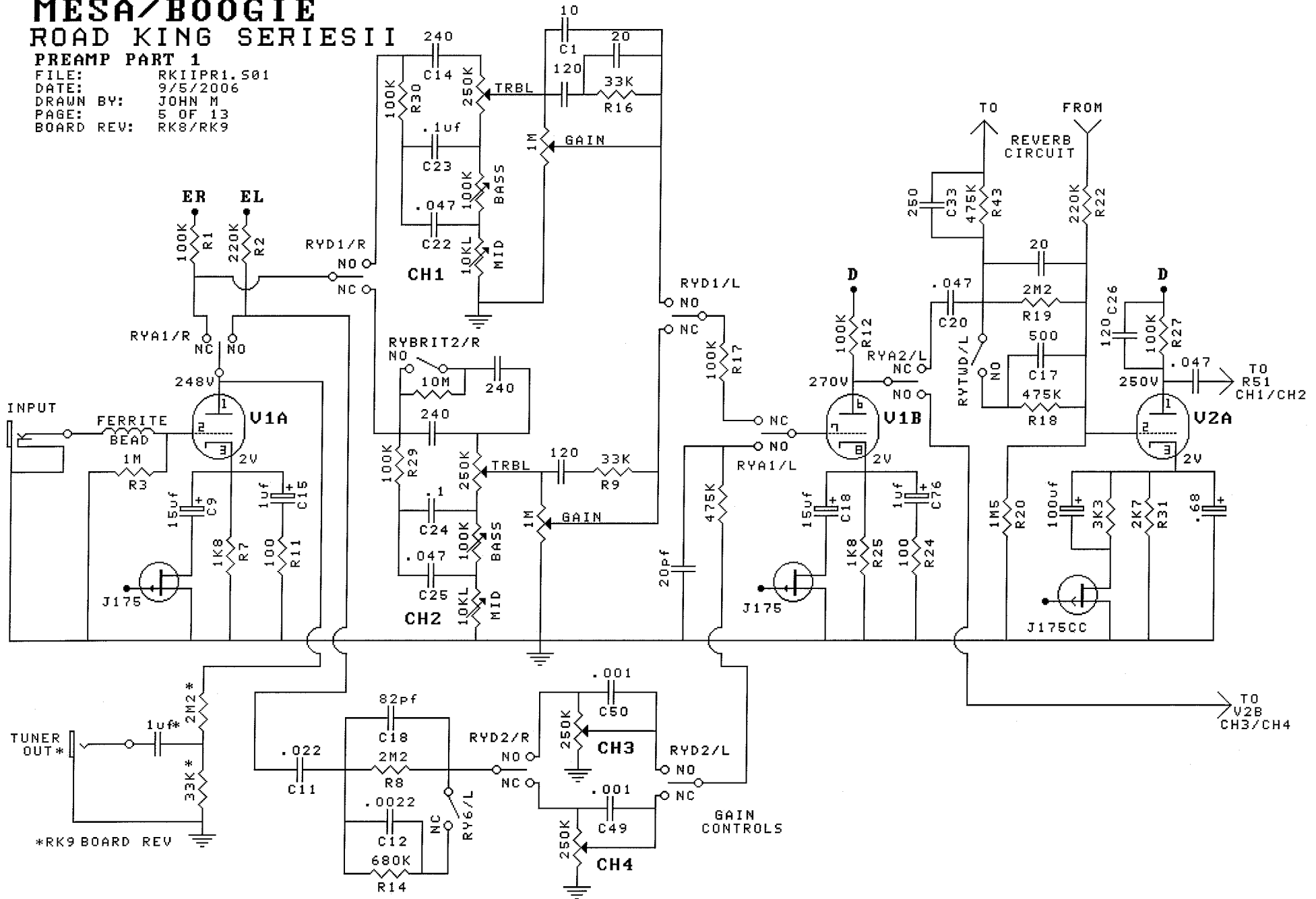
#561143

# MESA/BOOGIE

## ROAD KING SERIES II

### PREAMP PART 1

FILE: RKIIPR1.S01  
 DATE: 9/5/2006  
 DRAWN BY: JOHN M  
 PAGE: 5 OF 13  
 BOARD REV: RK8/RK9



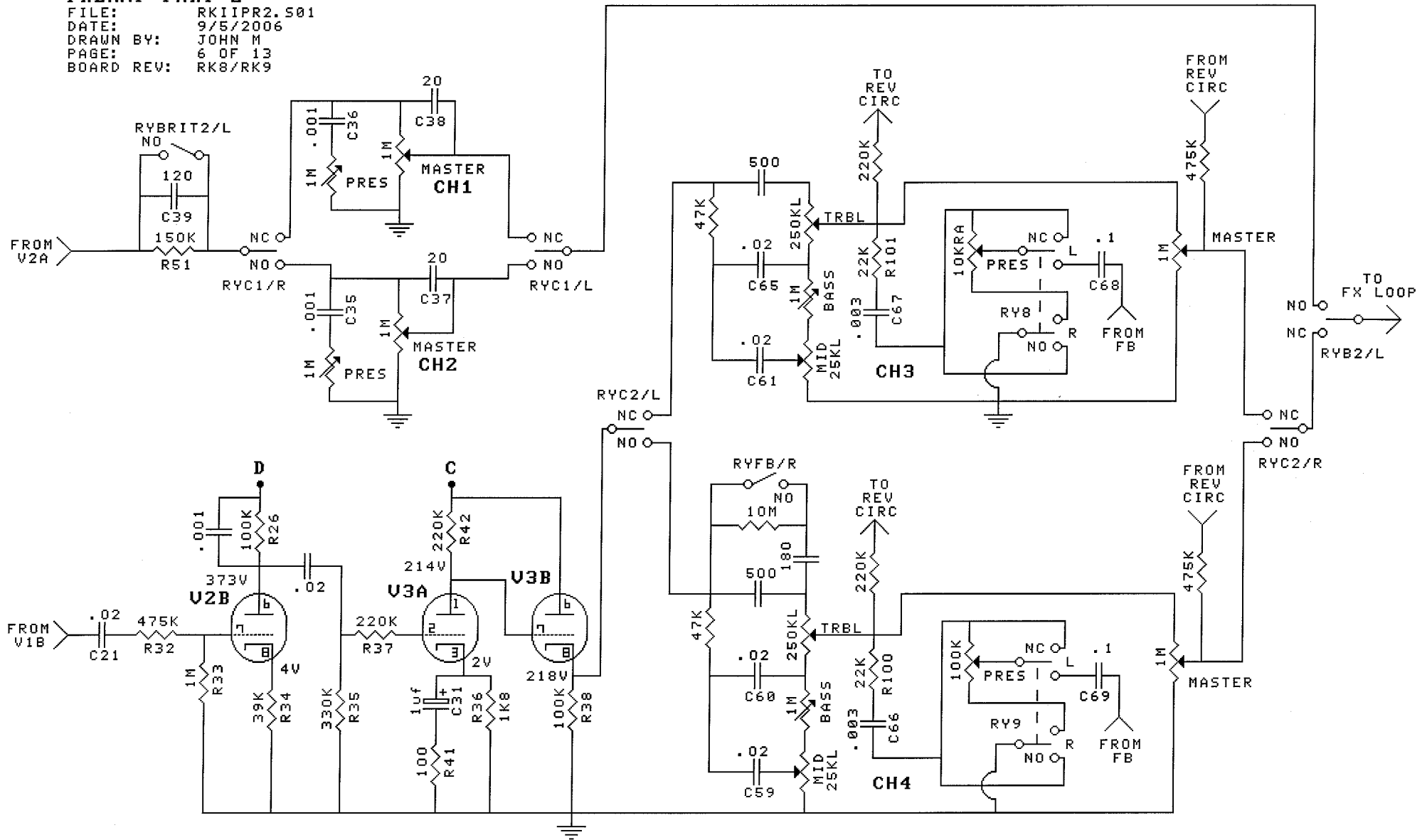
\*RK9 BOARD REV

# MESA/BOOGIE

## ROAD KING SERIES II

### PREAMP PART 2

FILE: RK11PR2.S01  
 DATE: 9/5/2006  
 DRAWN BY: JOHN M  
 PAGE: 6 OF 13  
 BOARD REV: RK8/RK9

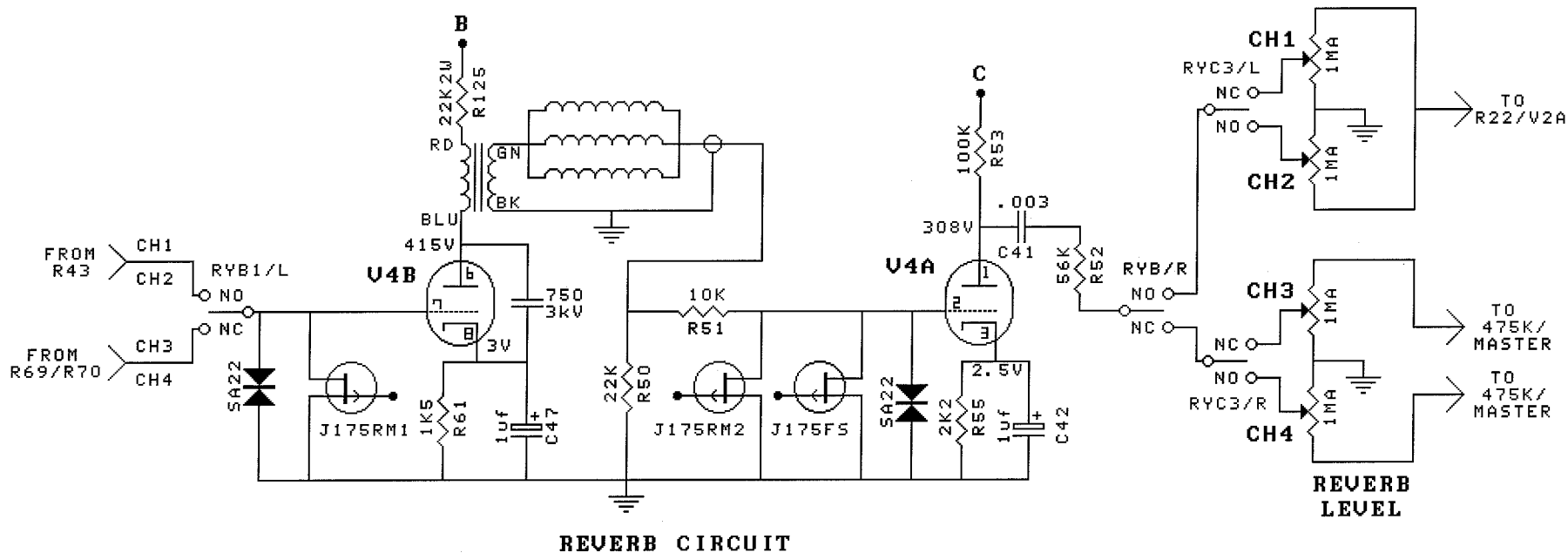


# MESA/BOOGIE

## ROAD KING SERIES II

### REVERB/EFFECTS LOOP

FILE: RKIIREV.S01  
 DATE: 9/5/2006  
 DRAWN BY: JOHN M  
 PAGE: 7 OF 13  
 BOARD REV: RK8/RK9



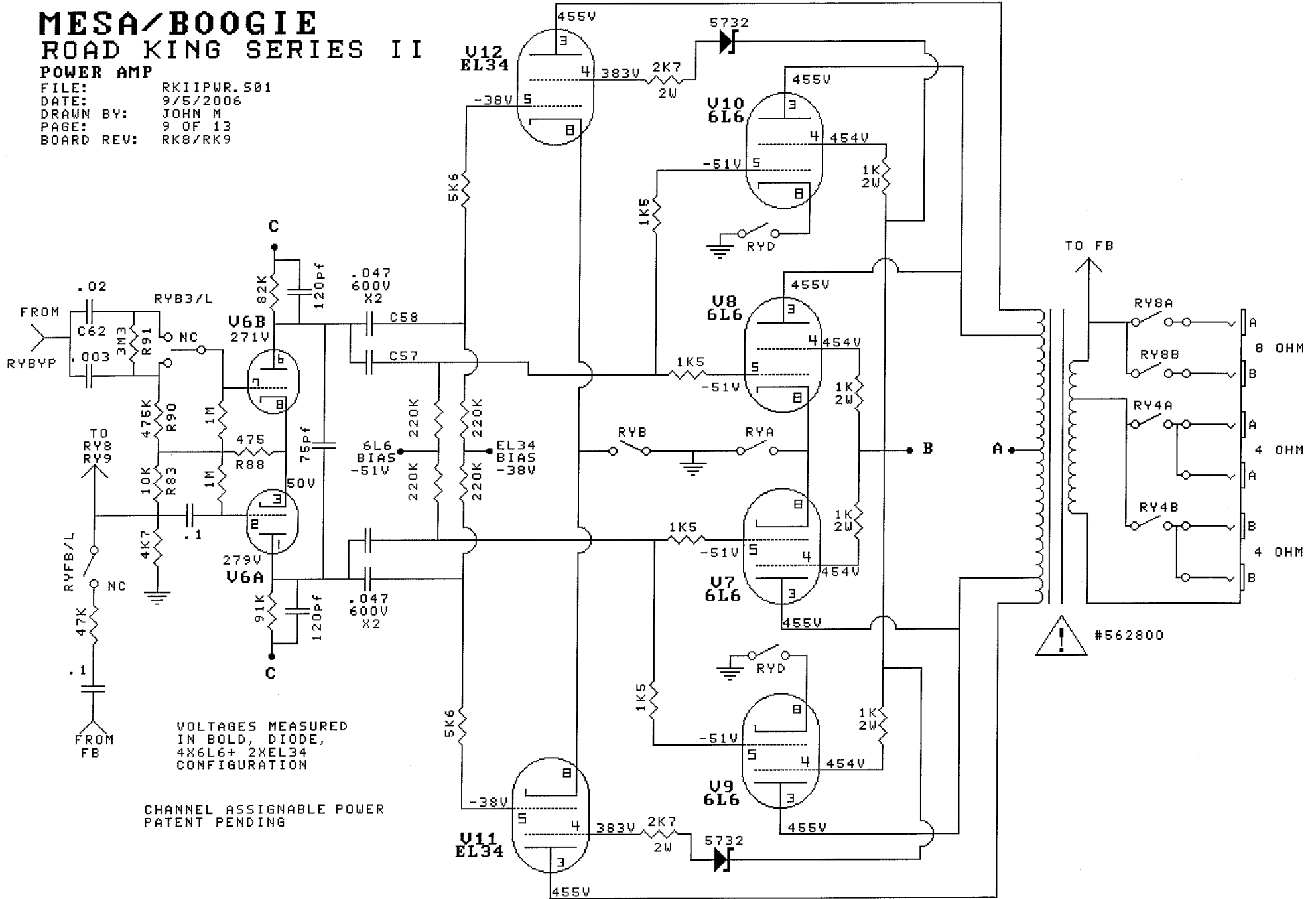




# MESA/BOOGIE ROAD KING SERIES II

## POWER AMP

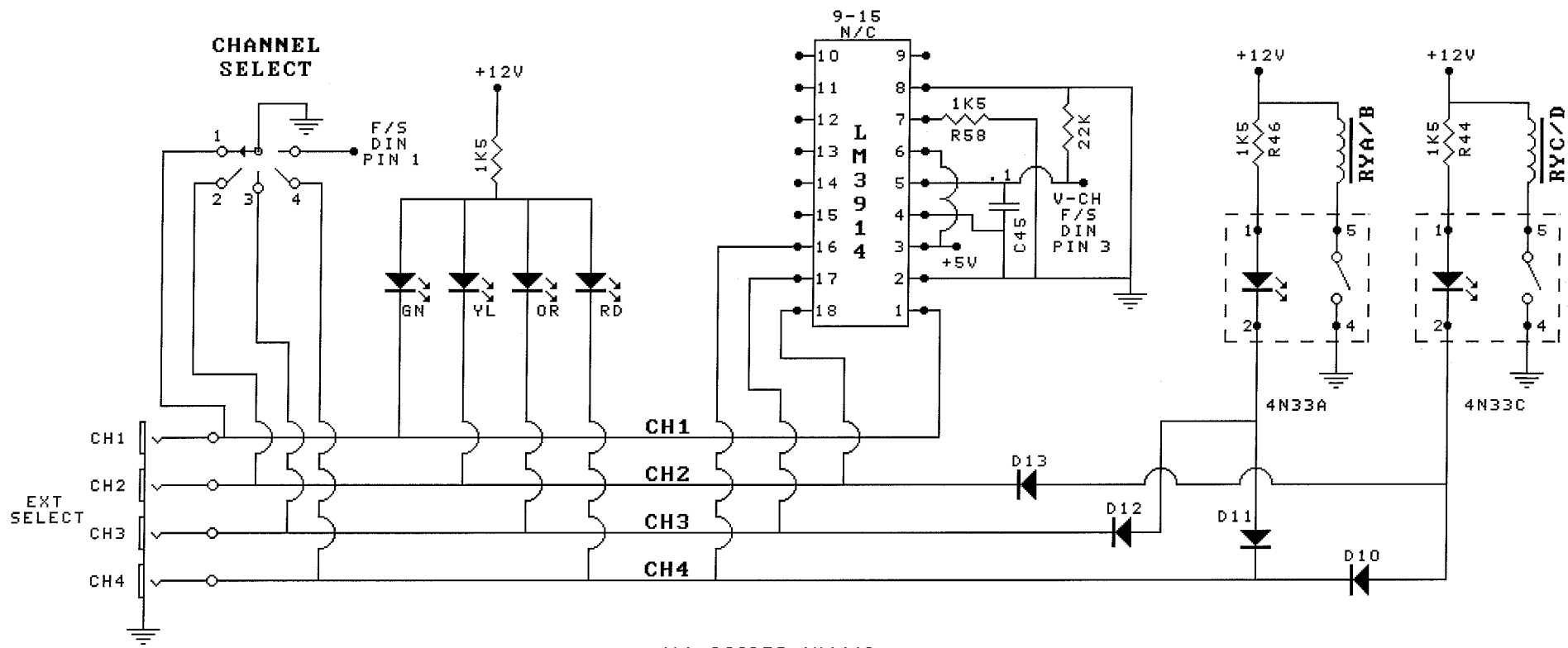
FILE: RKIIPWR.S01  
 DATE: 9/5/2006  
 DRAWN BY: JOHN M  
 PAGE: 9 OF 13  
 BOARD REV: RK8/RK9



# MESA/BOOGIE

## ROAD KING SERIES II

SWITCH MATRIX PT1  
 FILE: RK11SW2.S01  
 DATE: 9/5/2006  
 DRAWN BY: JOHN M  
 PAGE: 10 OF 13  
 BOARD REV: RK8/RK9



ALL DIODES 1N4448  
 UNLESS OTHERWISE  
 INDICATED

# MESA/BOOGIE ROAD KING SERIES II

## SWITCH MATRIX PT2

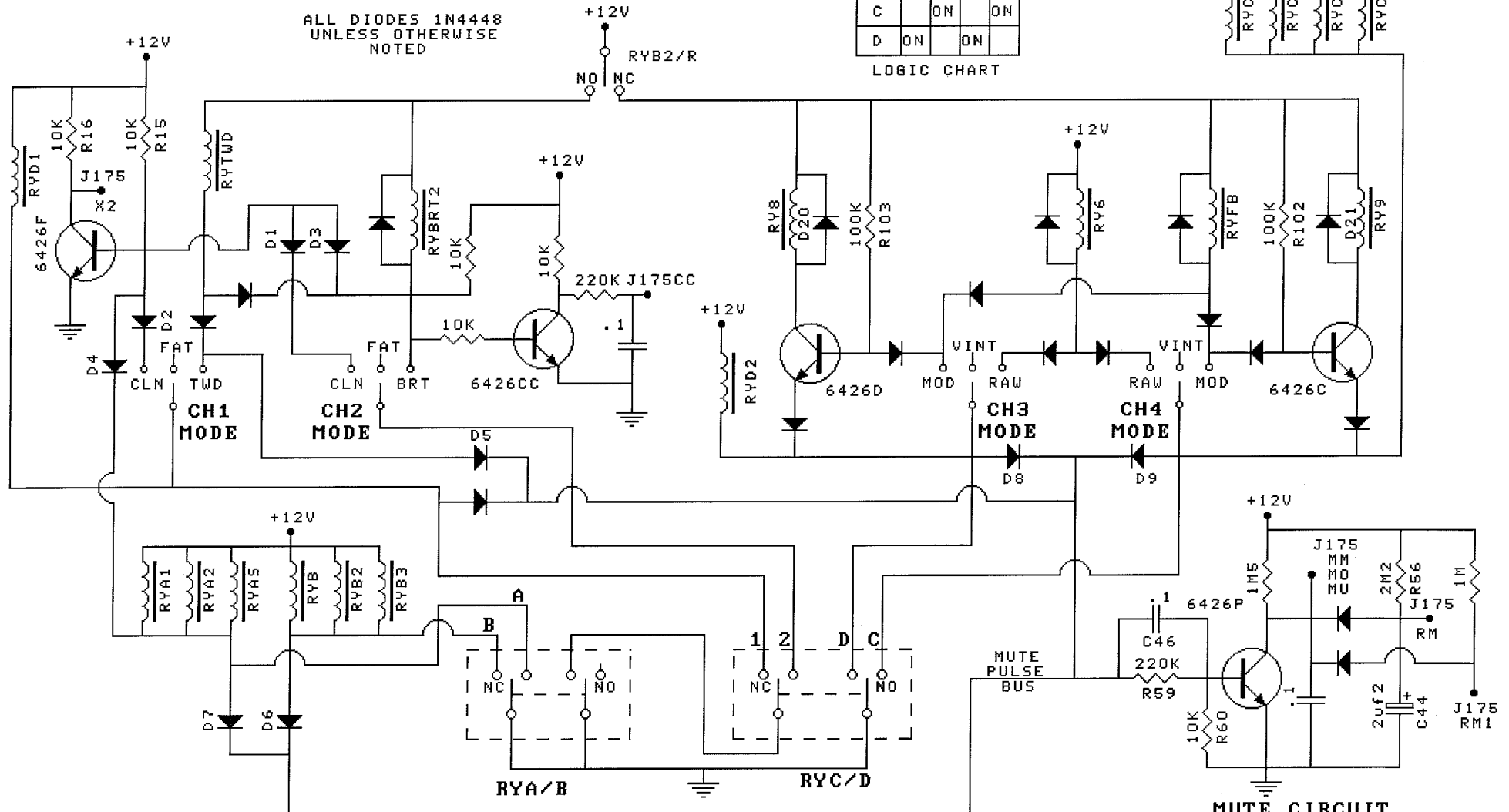
FILE: RKIISW3.S01  
 DATE: 9/5/2006  
 DRAWN BY: JOHN M  
 PAGE: 11 OF 13  
 BOARD REV: RK8/RK9

ALL DIODES 1N4448  
 UNLESS OTHERWISE  
 NOTED

CHANNEL

	1	2	3	4
1	ON			
2		ON		
A			ON	ON
B	ON	ON		
C		ON	ON	
D	ON	ON		

LOGIC CHART

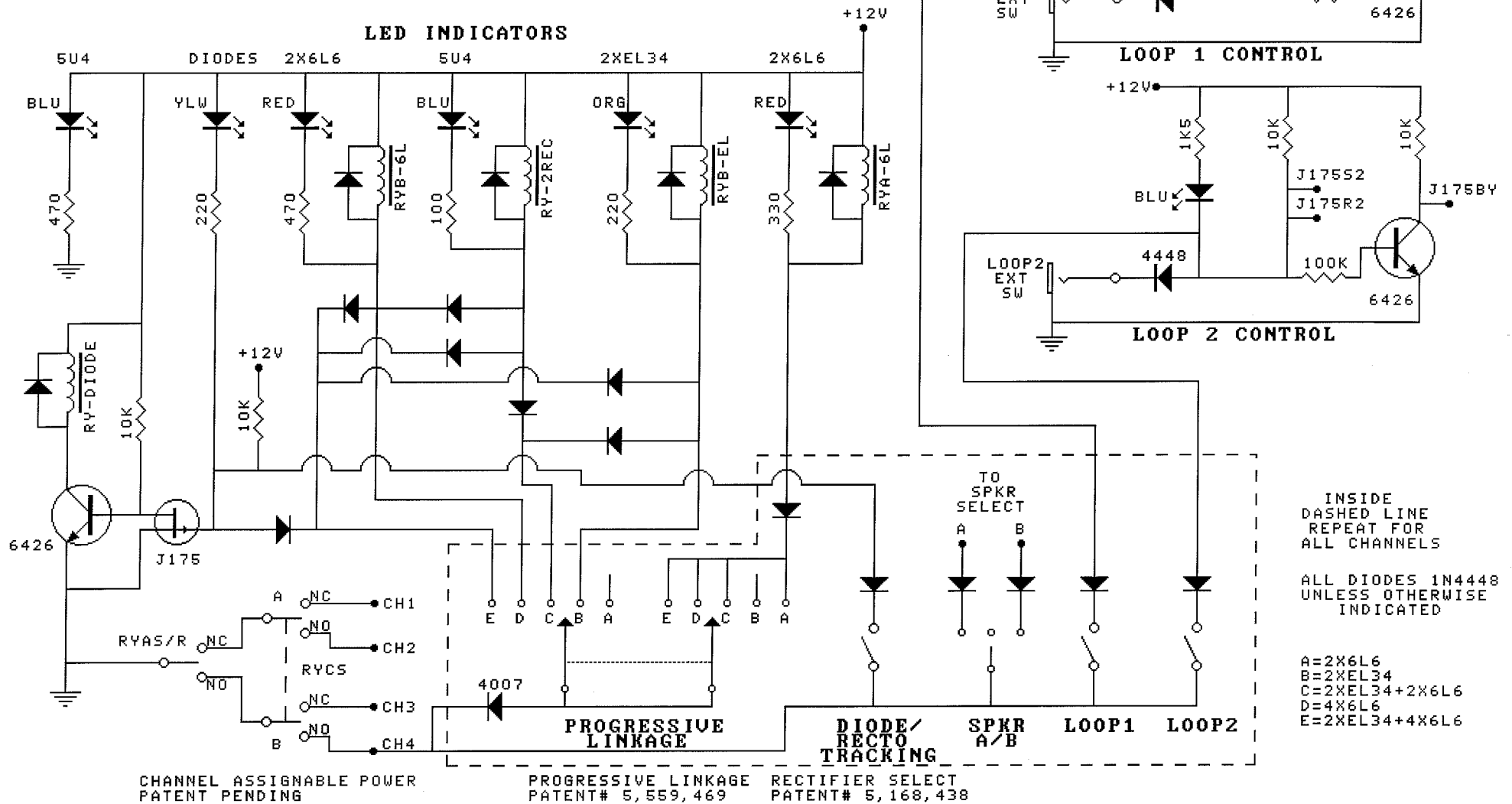


MUTE CIRCUIT  
 PATENT# 6,621,907

# MESA/BOOGIE ROAD KING SERIES II

## CHANNEL CONTROLS

FILE: RKIISW1.S01  
DATE: 9/5/2006  
DRAWN BY: JOHN M  
PAGE: 12 OF 13  
BOARD REV: RK8/RK9



# MESA/BOOGIE ROAD KING SERIES II

SPKR/TRIG/SOLO/REV/MUTE

FILE: RKIISPK.S01  
DATE: 9/5/2006  
DRAWN BY: JOHN M  
PAGE: 13 OF 13  
BOARD REV: RK8/RK9

