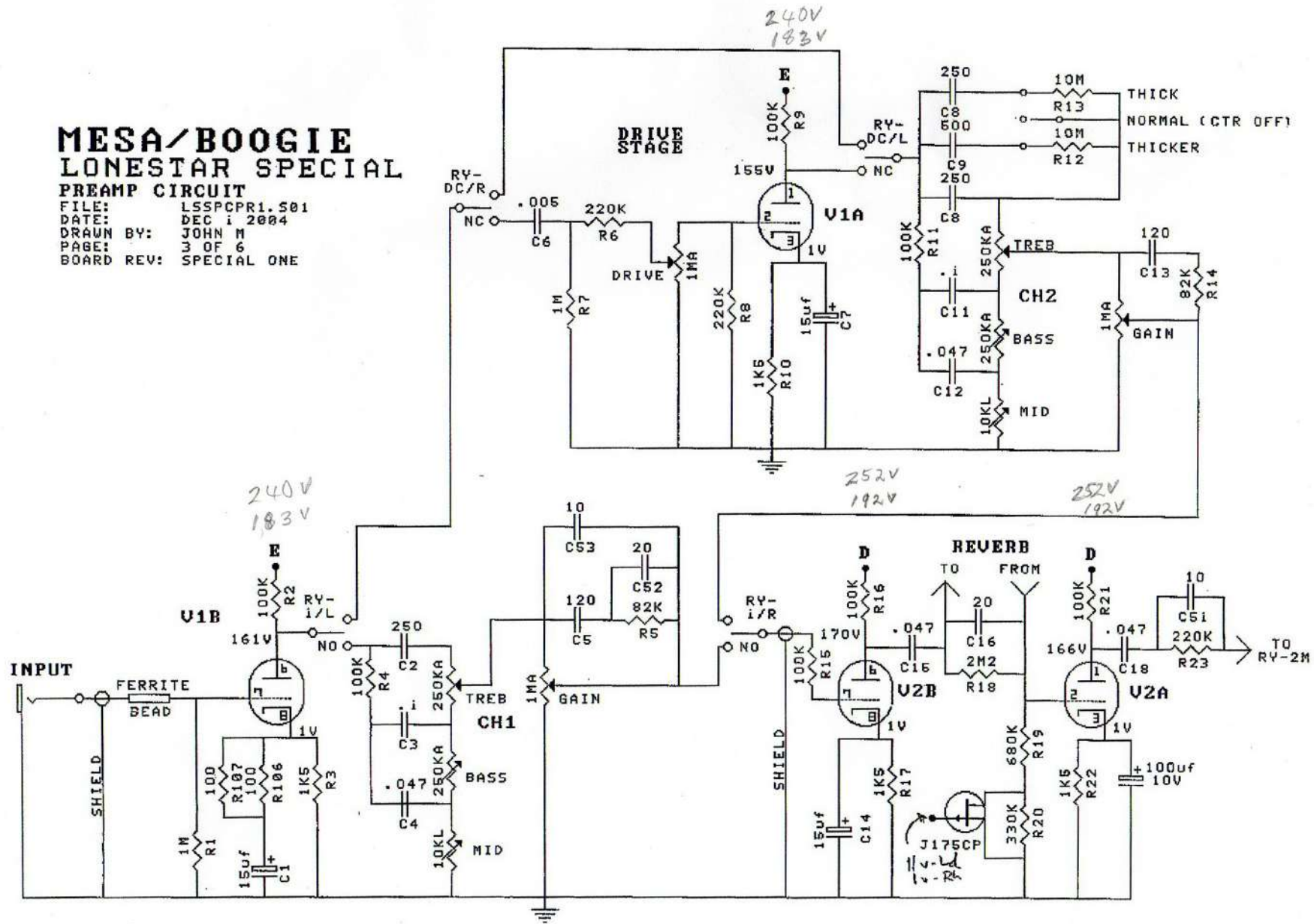


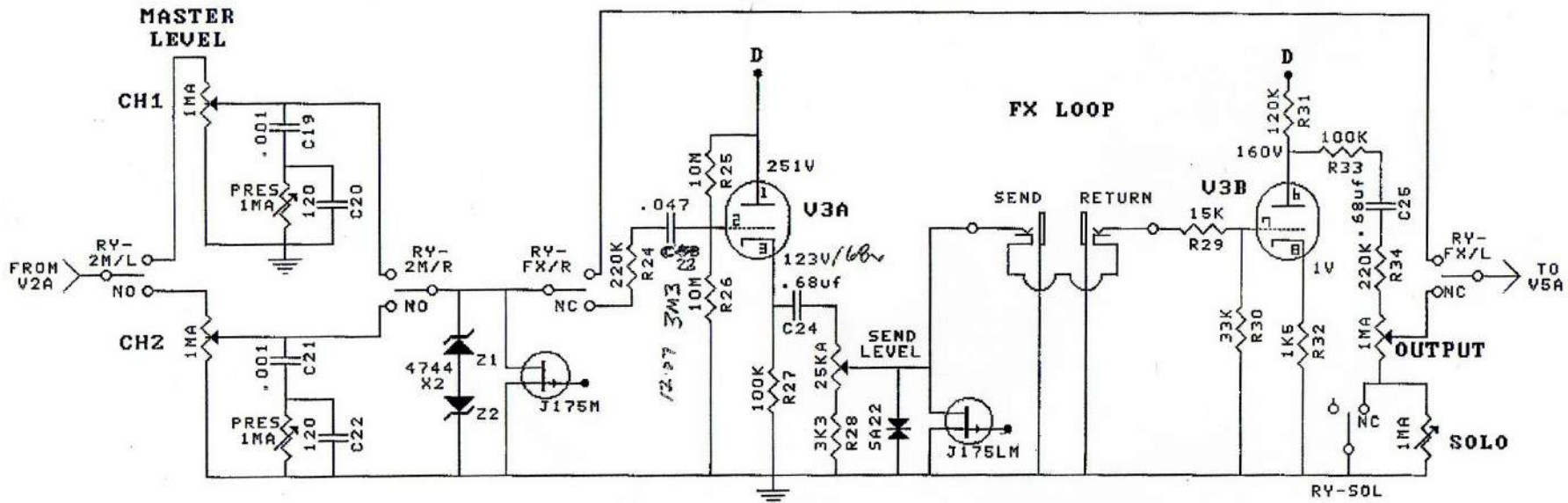
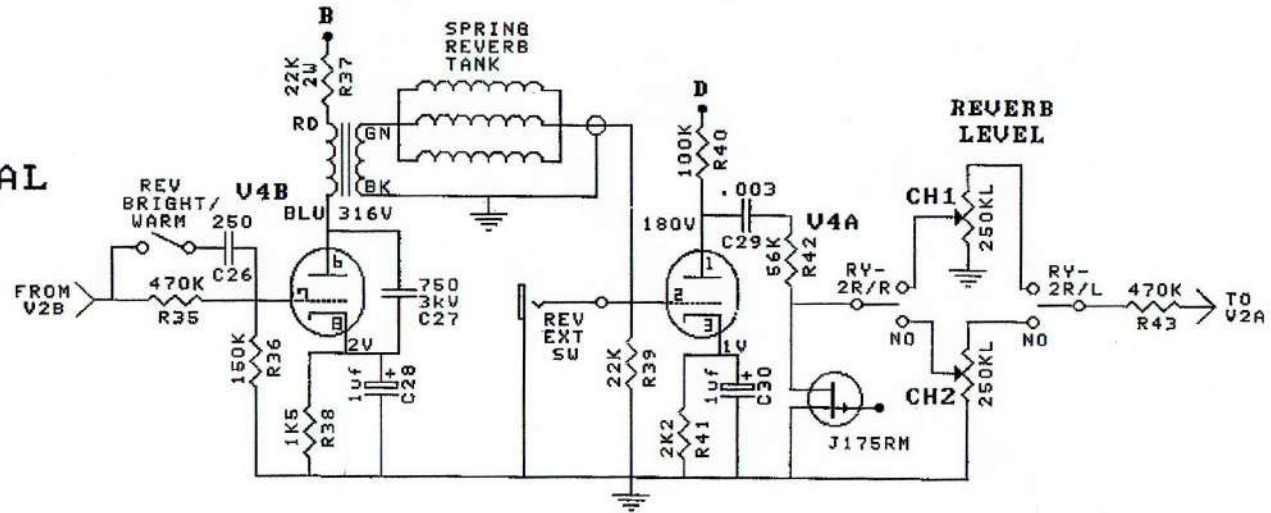
MESA/BOOGIE LONESTAR SPECIAL

PREAMP CIRCUIT
 FILE: L55PCPR1.501
 DATE: DEC 1 2004
 DRAWN BY: JOHN M
 PAGE: 3 OF 6
 BOARD REV: SPECIAL ONE



MESA/BOOGIE LONESTAR SPECIAL REVERB/FX LOOP

FILE: L55PCLP.501
 DATE: DEC 1 2004
 DRAWN BY: JOHN M
 PAGE: 4 OF 6
 BOARD REV: SPECIAL ONE



MESA/BOOGIE LONESTAR SPECIAL

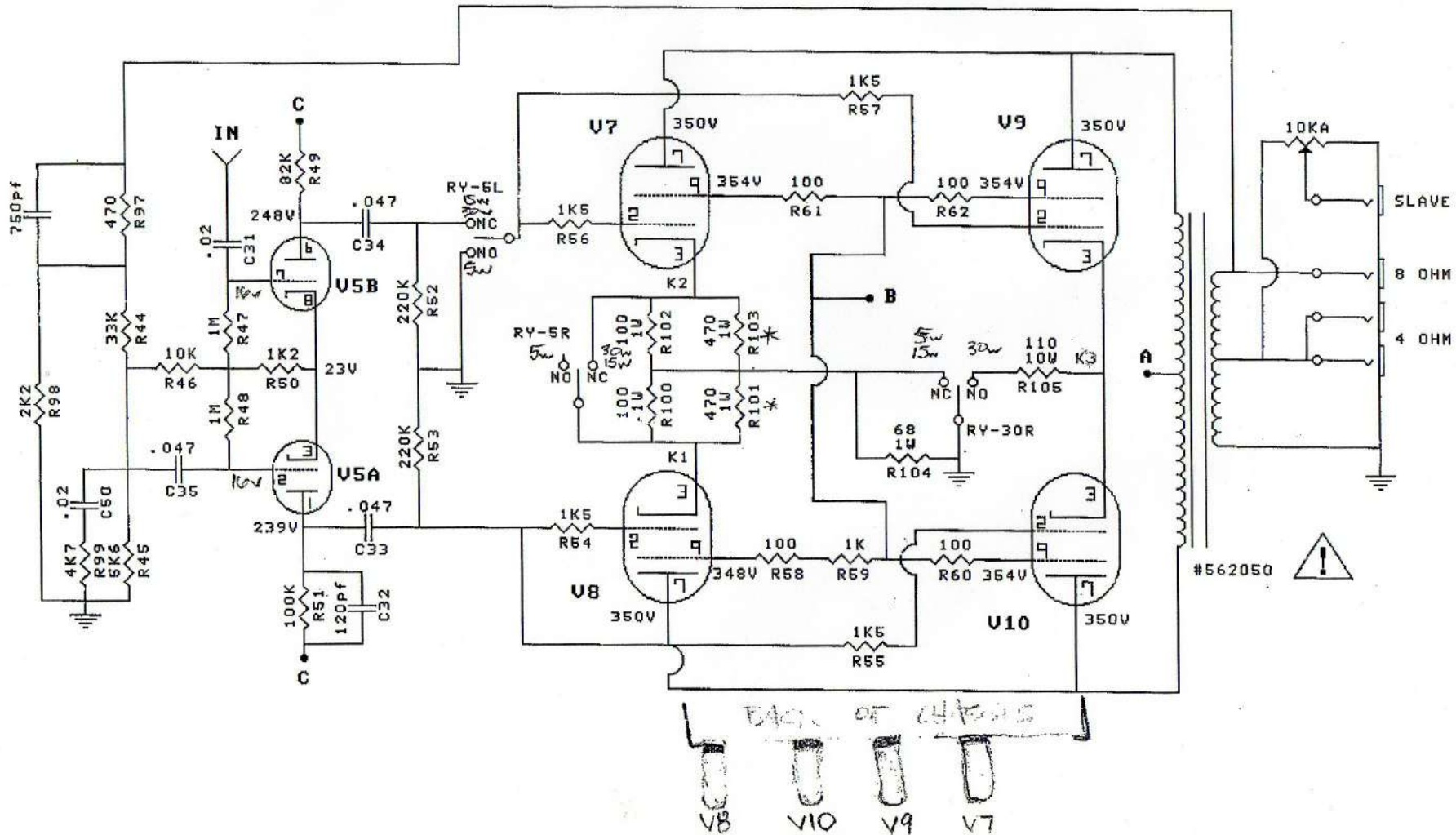
POWER AMP

FILE: LSSPCPWR.S01
 DATE: DEC 1 2004
 DRAWN BY: JOHN M
 PAGE: 5 OF 6
 BOARD REV: SPECIAL ONE

12-07 "5V3 Mod"
 * remove R103 470/1W
 R101 470/1W
 to cool down E84's

	5W	15W	30W
K1	6V	5V	11V
K2	4V	5V	11V
K3	18-25V		11V

CATHODE VOLTAGES

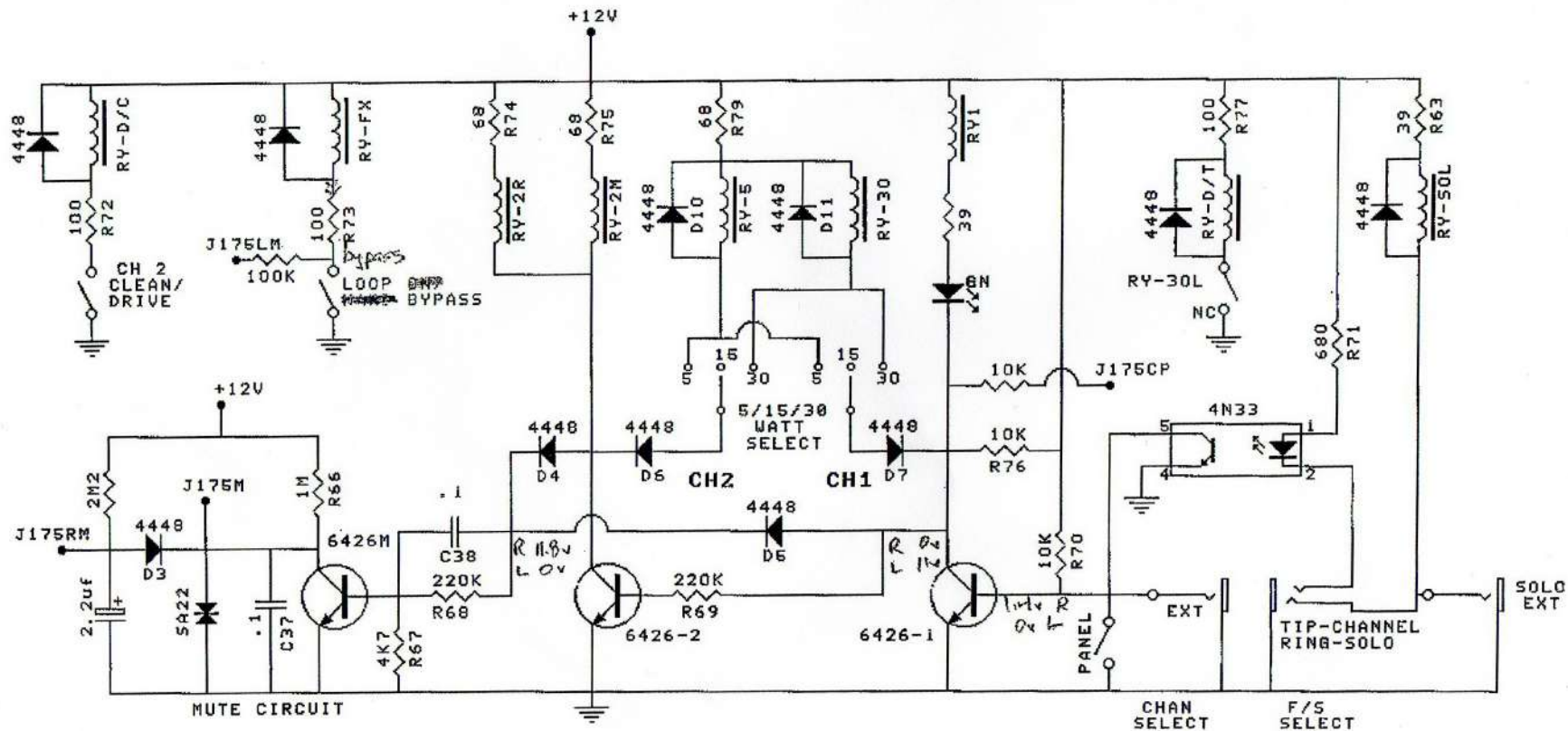
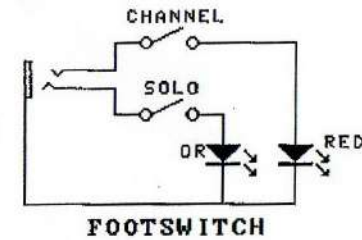


MESA/BOOGIE LONESTAR SPECIAL

SWITCHING MATRIX
 FILE: LSSPCSM.S01
 DATE: DEC 1 2004
 DRAWN BY: JOHN M
 PAGE: 6 OF 6
 BOARD REV: SPECIAL ONE

RELAY FUNCTIONS

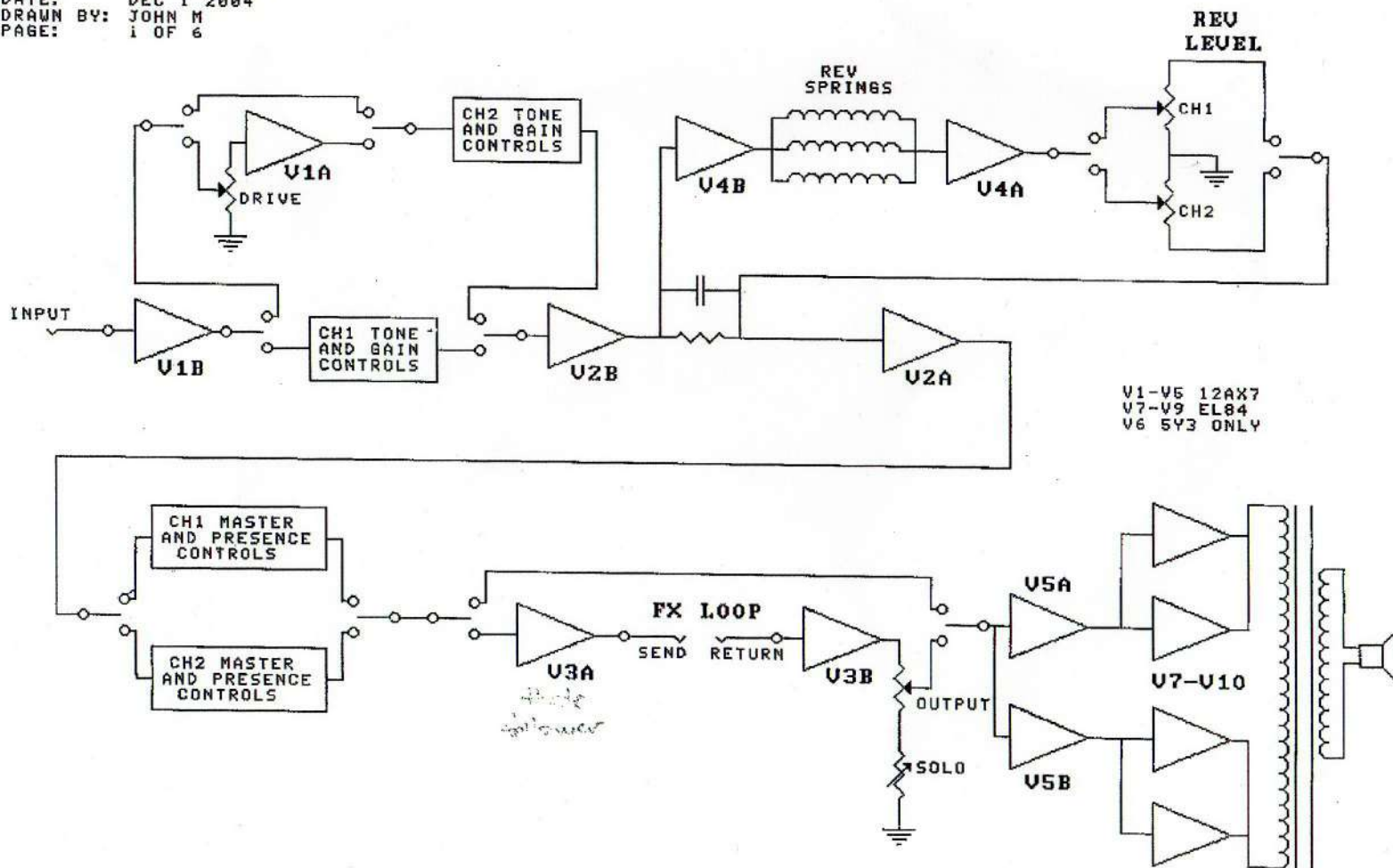
RY1	CHANNEL SELECT
RY-D/C	DRIVE STAGE BYPASS
RY-FX	LOOP BYPASS
RY-2R	REV LEVEL SELECT
RY-2M	MASTER SELECT
RY-5	5W/15W SELECT
RY-30	30W/DIODE REC SWITCH
RY-D/T	DIODE/TUBE REC SELECT
RY-SOL	SOLO ENGAGE



MESA/BOOGIE LONESTAR SPECIAL

BLOCK DIAGRAM

FILE: LSSPCBLK.S01
 DATE: DEC 1 2004
 DRAWN BY: JOHN M
 PAGE: 1 OF 6



V1-V5 12AX7
 V7-V9 EL84
 V6 5Y3 ONLY

MESA/BOOGIE LONESTAR SPECIAL POWER SUPPLIES

FILE: LSSPCSUP.S01
DATE: DEC 1 2004
DRAWN BY: JOHN M
PAGE: 2 OF 6
BOARD REV: SPECIAL ONE

