

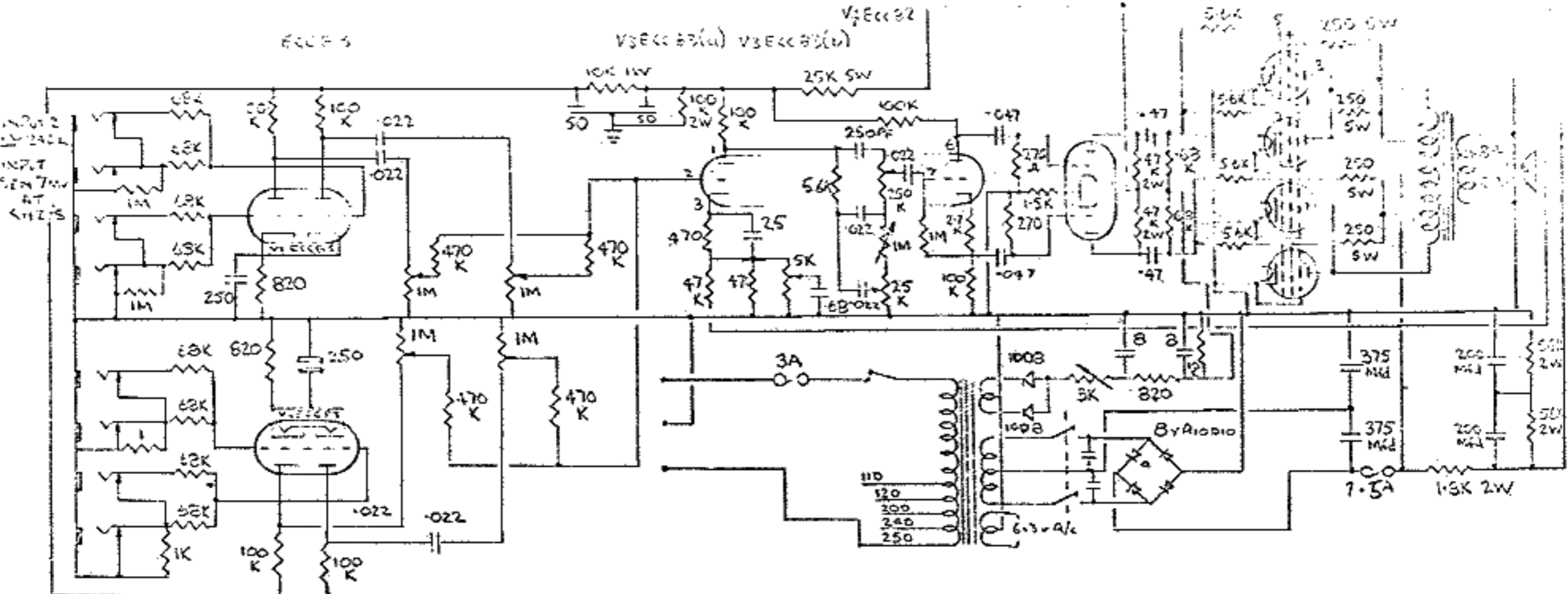
MARSHALL
1966

GW
UNICORD INCORPORATED
A WESTERN COMPANY
75 FROST STREET WESTBURY N. Y. 11590

70-04-12

SCALE:

SEPT 70



PIN NO	1 + 2	3	4	5	6	7	8
1	270V	175V	250V	—	—	—	—
2	—	—	2V	HEATERS	HEATERS	HEATERS	HEATERS
3	1.4V	1.3V	24V	590V	590V	590V	590V
4	HEATERS	HEATERS	HEATERS	585V	585V	585V	585V
5	HEATERS	HEATERS	HEATERS	81V NEG	81V NEG	81V NEG	81V NEG
6	370V	255V	280V	N/C	N/C	N/C	N/C
7	—	—	—	HEATERS	HEATERS	HEATERS	HEATERS
8	1.9V	68V	24V	—	—	—	—
9	HEATERS	HEATERS	HEATERS	—	—	—	—

200 WATT.
1966 SEPT '70
PA

JIM MARSHALL PRODUCTS LTD.
ALL MARSHALL AMPLIFIERS ARE SUBJECT TO CONTINUOUS DEVELOPMENT AND IMPROVEMENT CONSEQUENTLY THE UNITS MAY INCORPORATE MINOR CHANGES IN DETAIL FROM THE INFORMATION CONTAINED ABOVE.