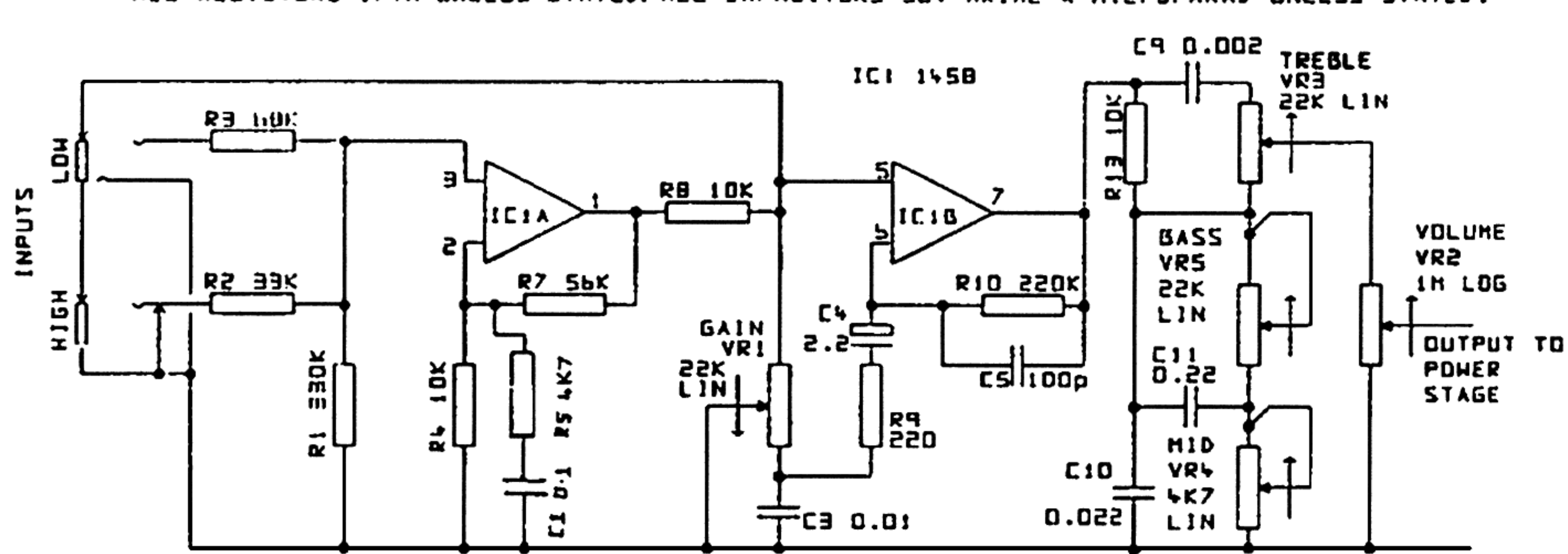
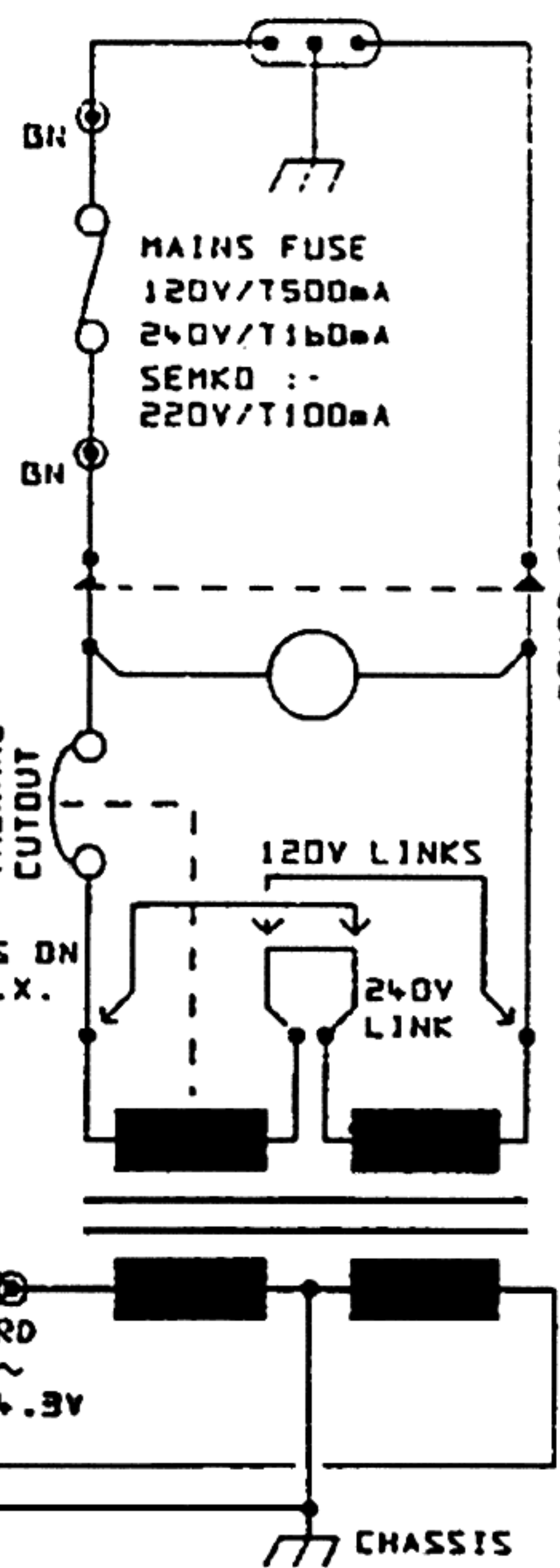


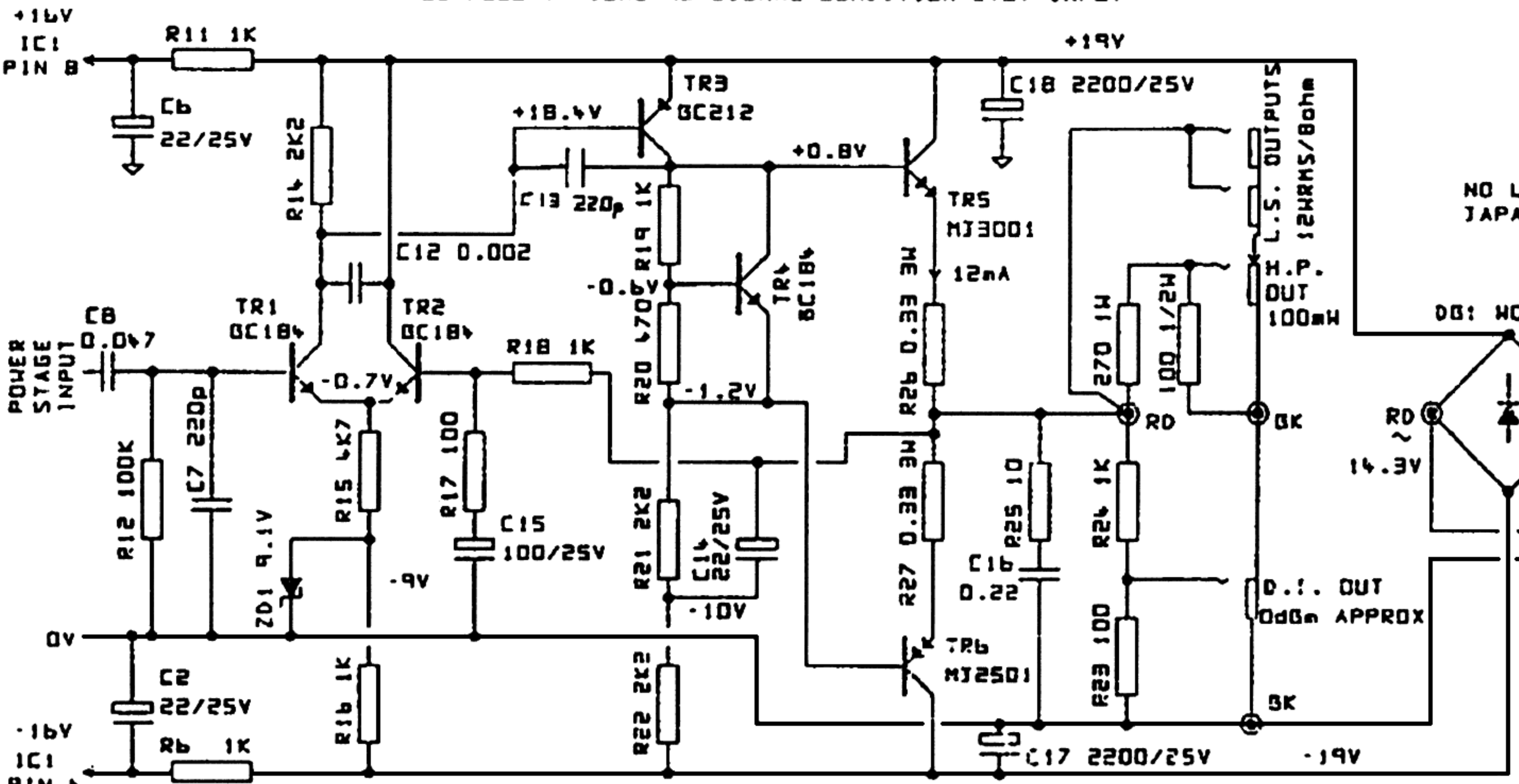
ALL RESISTORS 1/4W UNLESS STATED. ALL CAPACITORS 50V AXIAL X MICROFARAD UNLESS STATED.



POWER INPUT
40/60 Hz ~
120/220/240V AS SHOWN
ON REAR PANEL



VOLTAGES TYPICAL NO SIGNAL CONDITION 240V INPUT



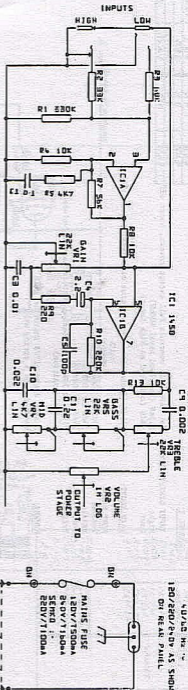
CIRCUIT SCHEMATIC DIAGRAM
FOR MODEL 300SH 12W LEAD
PCB JM104A ISS: 5-4-86 S.6.

MARSHALL

JIM MARSHALL PRODUCTS LTD
DENBIGH RD. BLETCHLEY
MILTON KEYNES, ENGLAND. ©

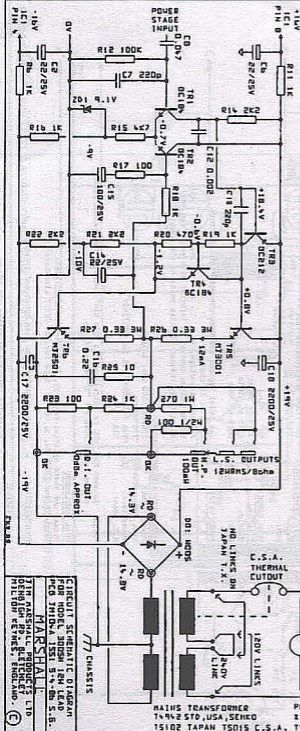
MAINS TRANSFORMER T4942 STD, USA, SEMKO T5102 JAPAN T5015 C.S.A. TYPE DEPENDANT ON COUNTRY

ALL RESISTORS 1/4W UNLESS STATED. ALL CAPACITORS 50V AXIAL 2 MICROFARAD UNLESS STATED.



POWER INPUT
4.0/5.0 Hz
120/250/250V AS SHOWN
ON REAR PANEL

VOLTAGES TYPICAL NO SIGNAL CONDITION 250V INPUT



MAINS TRANSFORMER
7492 STD, USA, SENKO
15102 TAPAN 15015 C.S.A.

POWER SWITCH
& INDICATOR

TYPE DEPENDANT ON COUNTRY

CHASSIS

CIRCUIT SCHEMATIC DIAGRAM
FOR MODEL 3000 1PM LEAD
PCB JH1DA 1S1 5-4-85 S.B.

MARSHALL

TIN MARSHALL PRODUCTS LTD
DENLIGH, 99, BLETCHLEY
MILTON KEYNES, ENGLAND.

©