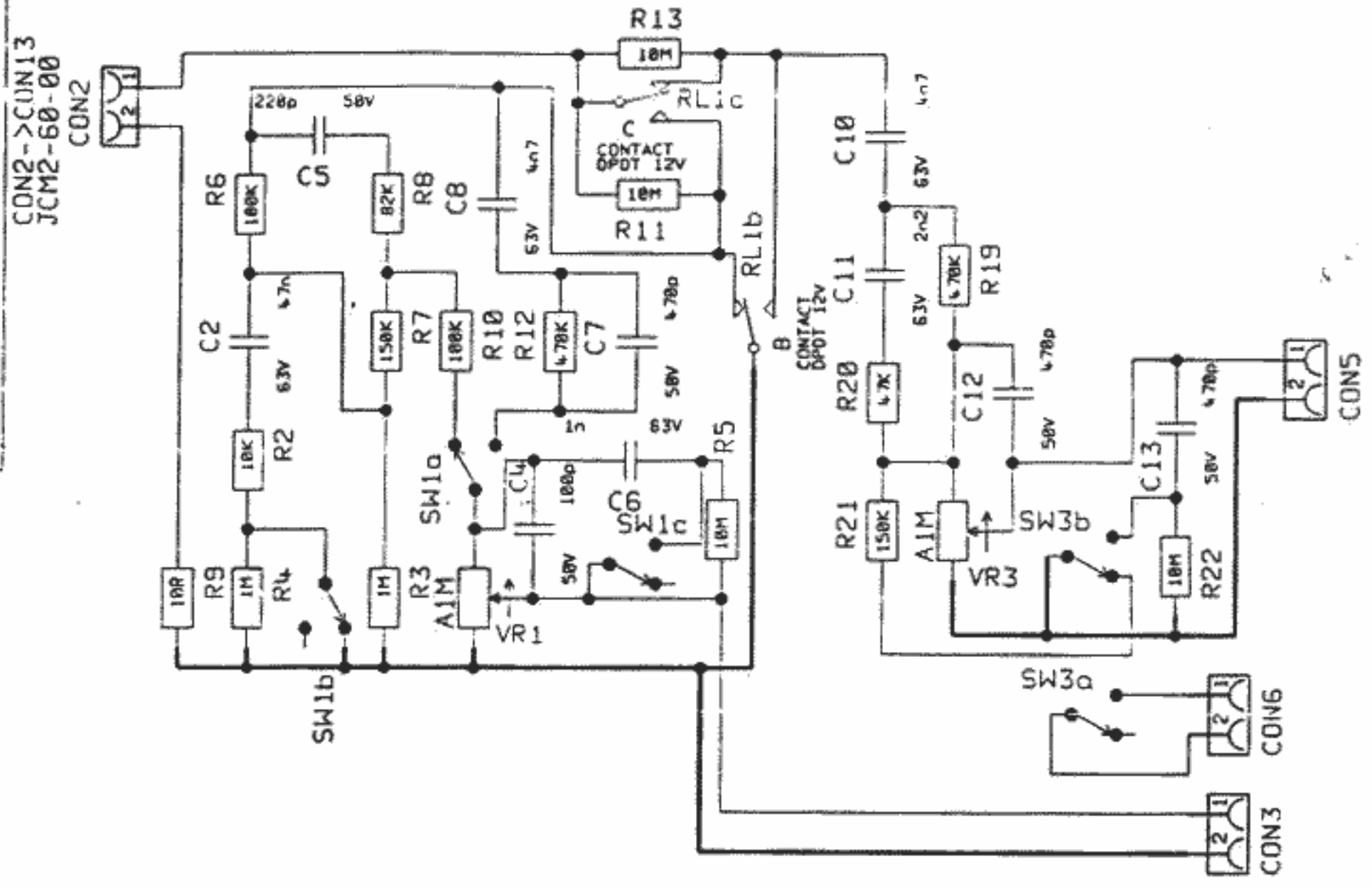
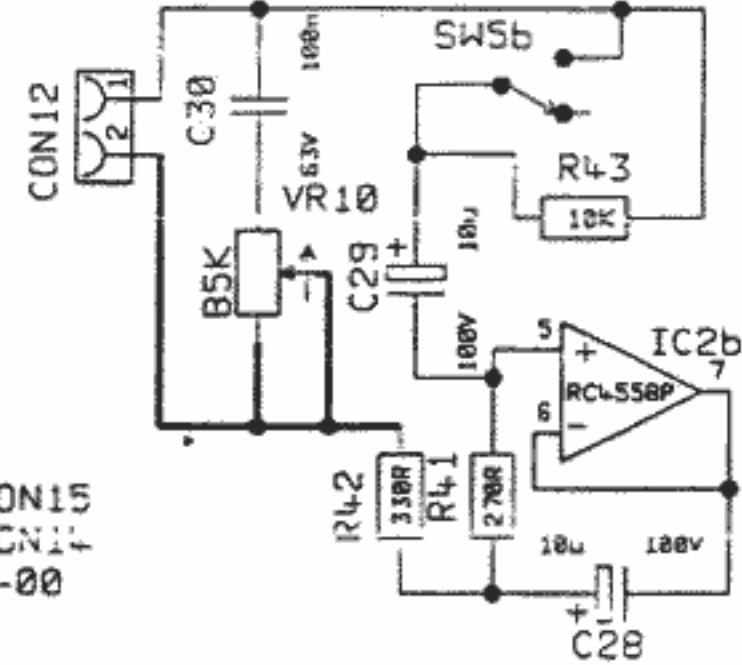


CON2->CON13
JCM2-60-00
CON2

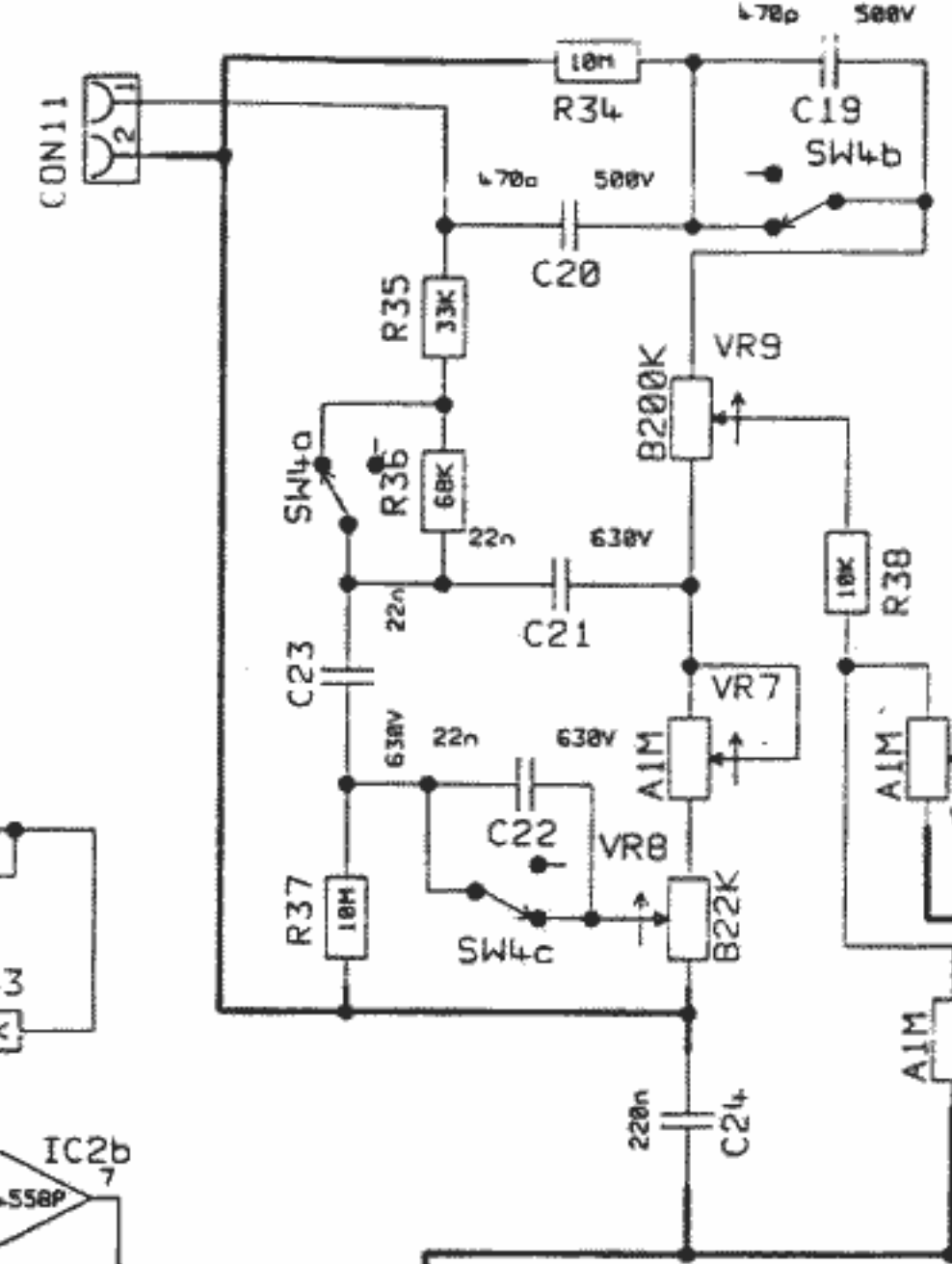


CON5->CON3
CON12->CON10
JCM2-60-00



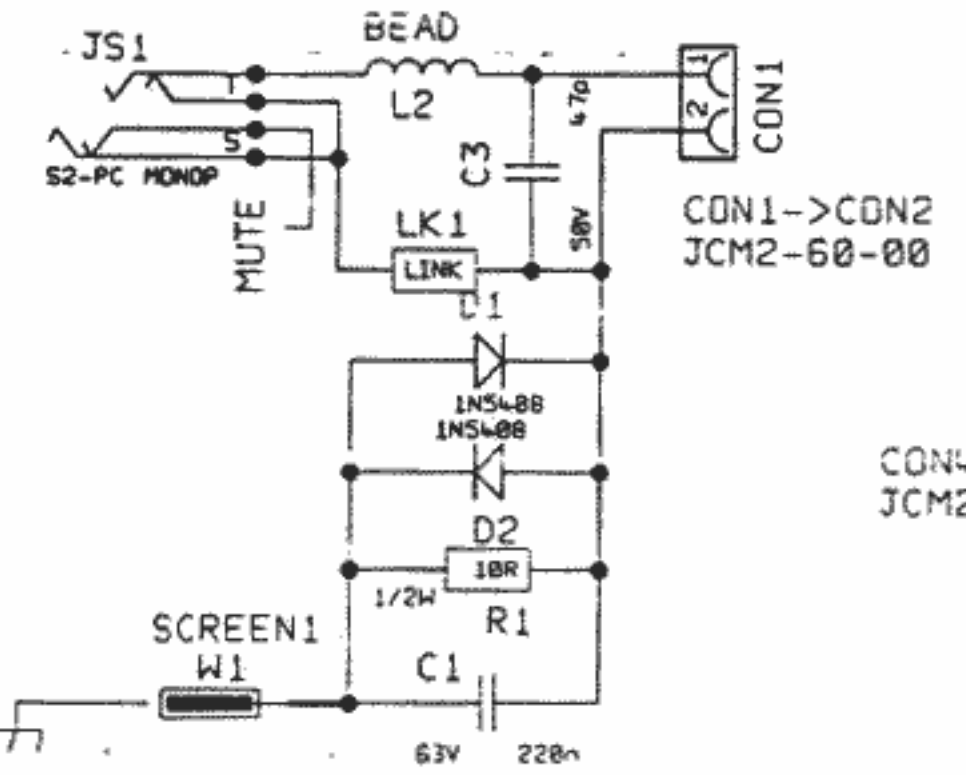
CON3->CON15
CON6->CON14
JCM2-60-00

CON11->CON6
JCM2-60-00



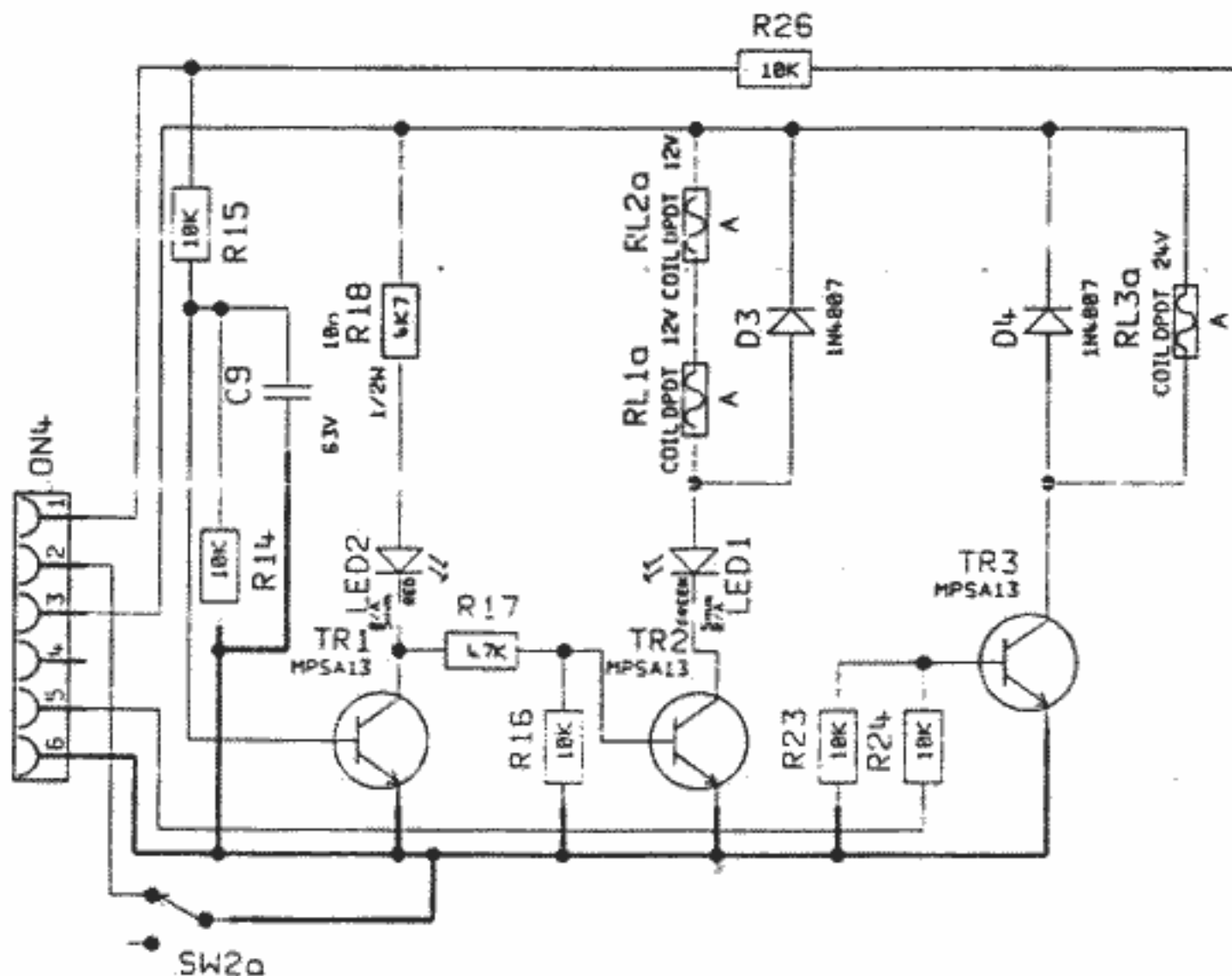
CON7->CON8
JCM2-60-00

CON8 CON9->CON5
CON8->CON2
JCM2-60-00
JCM2-63-00

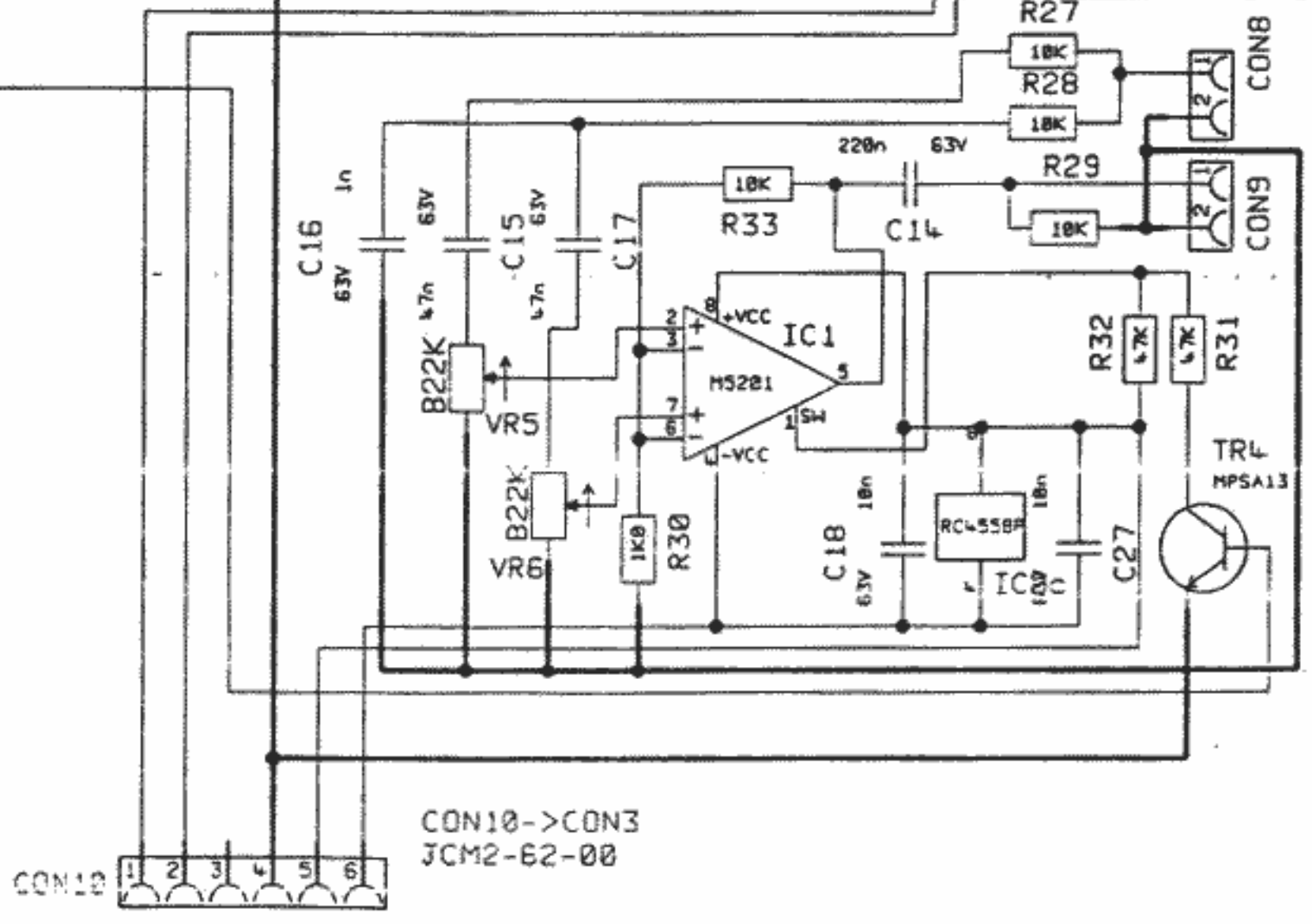


CON1->CON2
JCM2-60-00

CON4->CON5
JCM2-62-00



CON10->CON3
JCM2-62-00



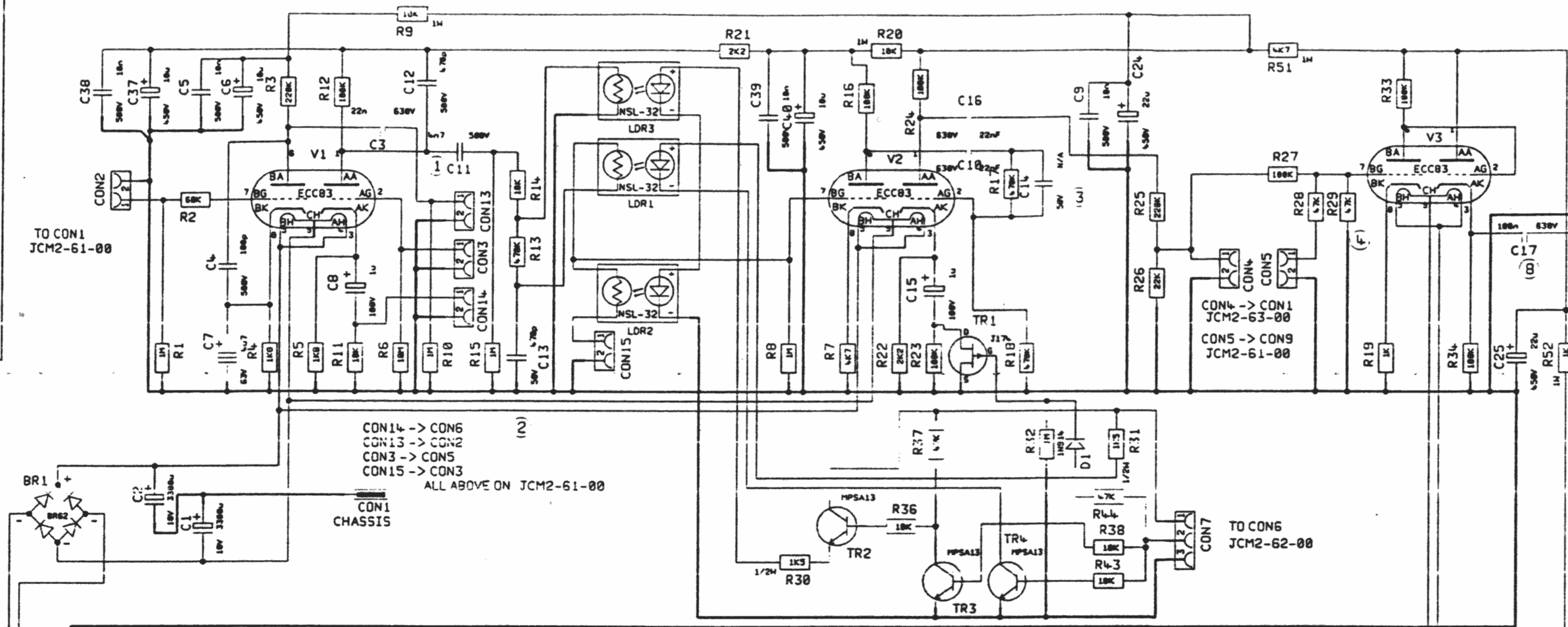
| | | | | | | |
|-----|----------------|---------|---|---|---|---|
| 1 | PRODUCTION | 30/4/97 | A | E | T | N |
| C | PRE-PRODUCTION | 4/3/97 | B | F | K | P |
| ISS | ECO NUMBER | DATE | C | G | L | Q |
| | | | D | H | M | R |

ALL OTHER HOLES = X = (THROUGH PLATED)

| | | |
|--------------------|-------------------------------------|---------------|
| MATERIAL | DIMENSIONS IN | |
| MATERIAL THICKNESS | TOLERANCE (UNLESS OTHERWISE STATED) | |
| DRAWN SG | DATE 24.2.97 | |
| CHECKED | DATE | MODEL JCM2000 |
| APPROVED | DATE 24-6-97 | |



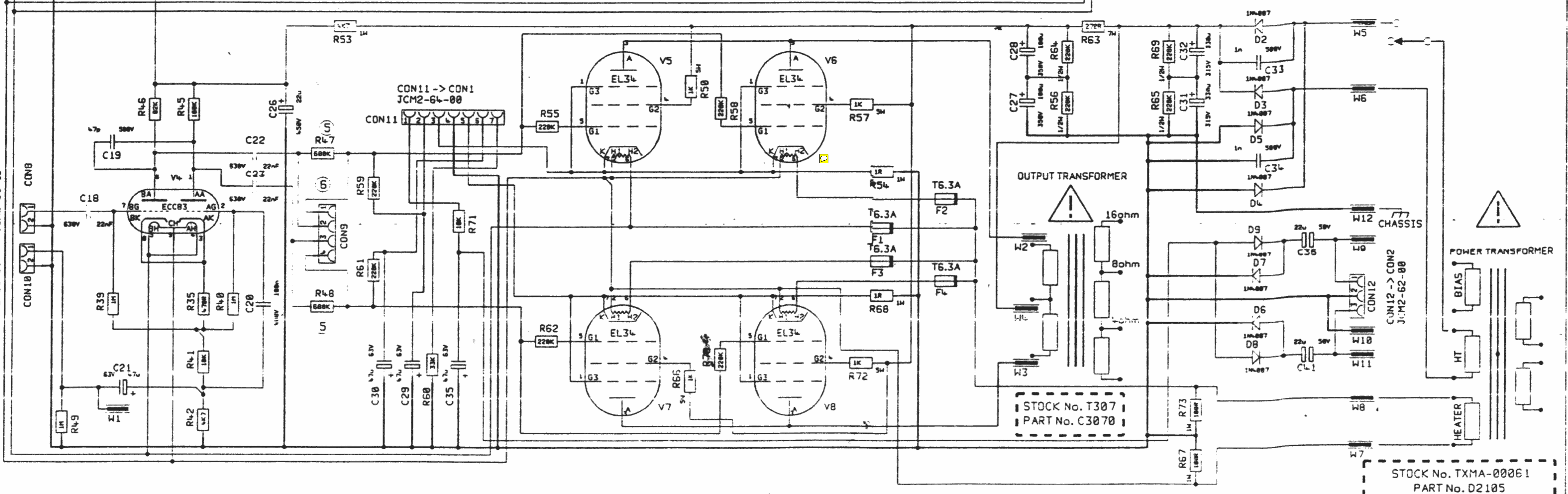
| | |
|--------|--------------------|
| TITLE | JCM2000 |
| | SUPERLEAD STANDARD |
| DWG.No | JCM2-61-00.DGM |
| ISS | 1 |



SAFETY CRITICAL COMPONENT
REPLACE ONLY WITH SAME
TYPE AND RATING.

- NOTES**
- (1) C11 = 4n7 500V ON STANDARD HEAD
C11 = 1nF 500V ON COMBO & DELUXE
 - (2) C13 = 4.70pF STANDARD --- = 100pF COMBO & DELUXE
 - (3) C14 NOT FITTED ON STANDARD HEAD,
COMBO OR DELUXE
 - (4) R29 = 4.7K STANDARD
R29 = 22K COMBO & DELUXE
 - (5) R47,48 = LINK STANDARD
R47,48 = 680K COMBO & DELUXE
 - (6) CON9 ONLY FITTED ON COMBO & DELUXE
 - (7) C17 = LINK STANDARD
C17 = 100nF 630V COMBO & DELUXE

STOCK No. S167
PART No. 1310B5NN

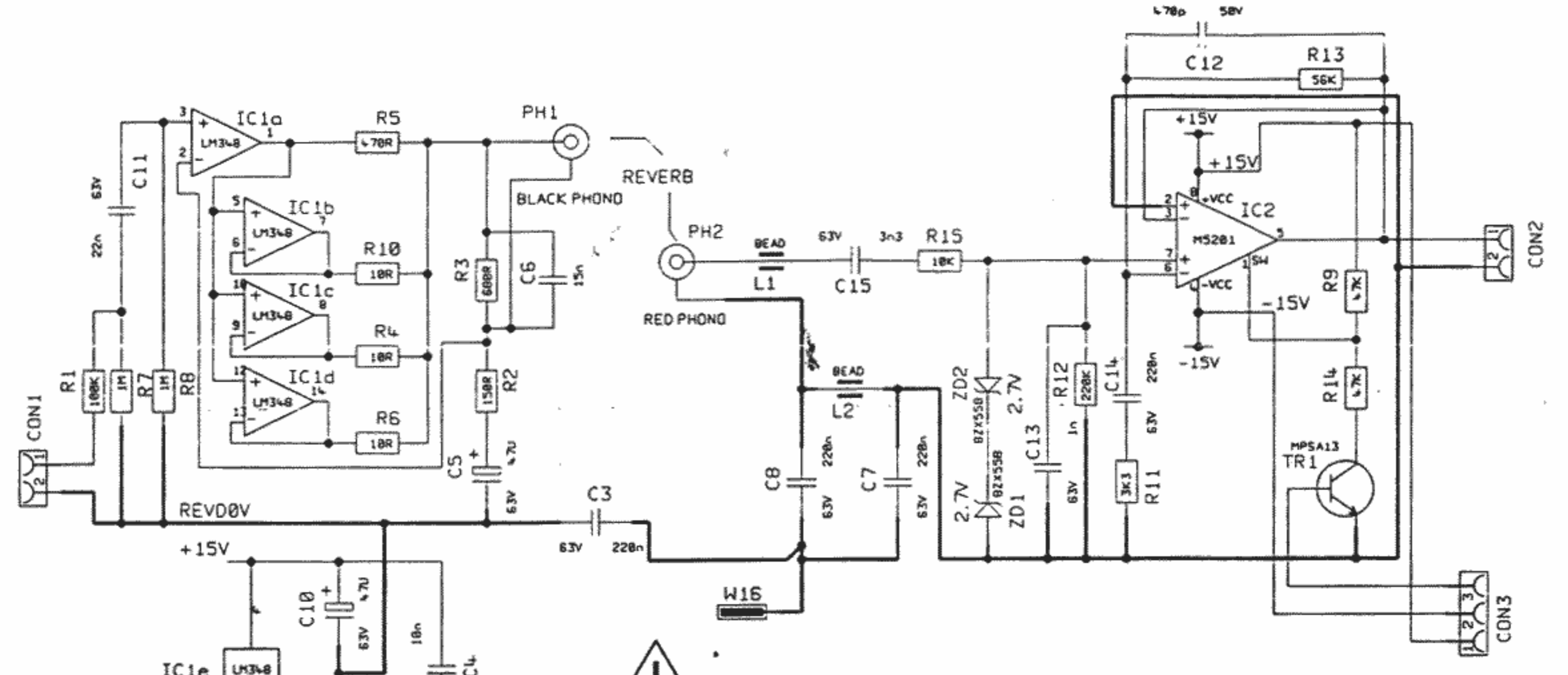


| ALL OTHER HOLES - | | | X = (THROUGH PLATED) | | | MATERIAL | | DIMENSIONS IN | | |
|-------------------|----------------|---------|----------------------|---|---|----------|---|-------------------------------------|---|--|
| 1 | PRODUCTION | 30/4/97 | A | E | J | N | MATERIAL THICKNESS | TOLERANCE (UNLESS OTHERWISE STATED) | | |
| C | PRE-PRODUCTION | 19/3/97 | B | F | K | P | DRAWN S.G | DATE | 19/3/97 | |
| ISS | ECO NUMBER | DATE | C | G | L | G | CHECKED | DATE | | |
| | | | D | H | M | R | APPROVED | DATE | 23-6-97 | |
| | | | | | | | JCM2000 | | | |
| | | | | | | | MARSHALL AMPLIFICATION PLC DENBIGH ROAD, BLETCHLEY, MILTON KEYNES, MK1 10Q. TEL (01908) 375411 FAX (01908) 376118 | | TITLE JCM2000 SUPERLEAD STANDARD DWG.No. JCM2-60-00.DGM 1 | |

CON1->CON4
JCM2-60-00

CON2->CON8
JCM2-62-00

CON3->CON4
JCM2-61-00



115V UNITS
TYPE 19198
T1AMP

230V UNITS
TYPE 19195
T1AMP

STOCK No. TXMA-00066
PART No. D2179

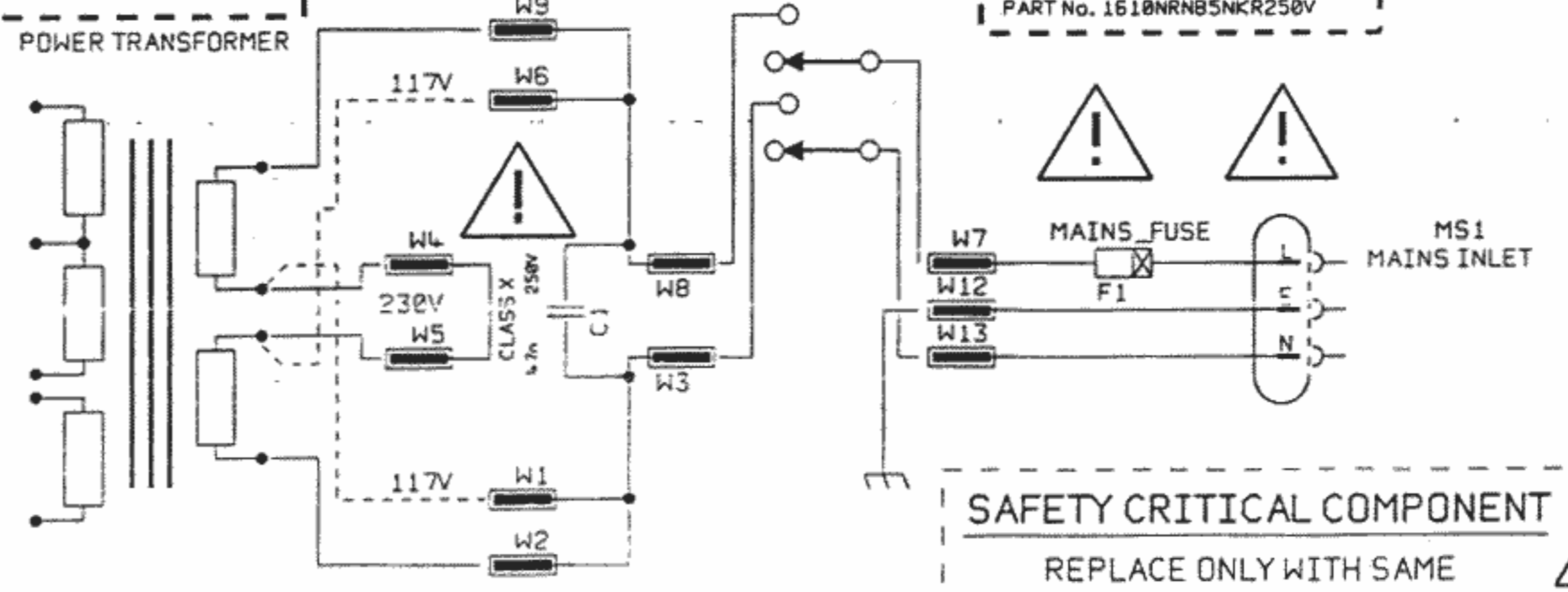
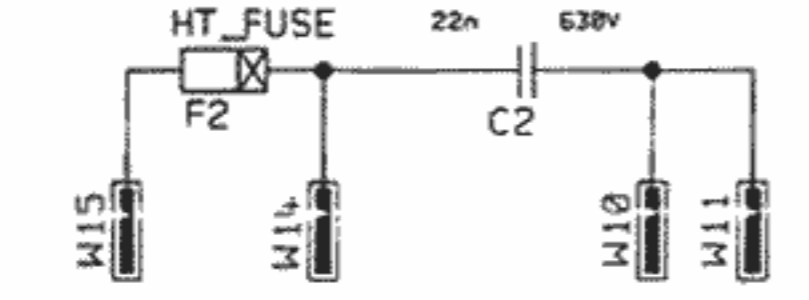
STOCK No. TXMA-00062
PART No. D2135

STOCK No. TXMA-00061
PART No. D2105

POWER TRANSFORMER

115V UNITS
F1=T1AMP TYPE 19343
MAINS SWITCH=STOCK No. S151
PART No. 1310NB5NKR125V

230V UNITS
F1=T2AMP TYPE 19195
MAINS SWITCH=STOCK No. S217
PART No. 1610NRN85NKR250V



SAFETY CRITICAL COMPONENT
REPLACE ONLY WITH SAME
TYPE AND RATING.

| | | | | | | | | | | | | | | | | | | | |
|-----|------------------|------------|---|------|---|-------------------|---|----------------------|---|----------|--------------------|-------------------------------------|----------|-------|--|--------|----------------|-----|--|
| ISS | | ECO NUMBER | | DATE | | ALL OTHER HOLES = | | X = (THROUGH PLATED) | | MATERIAL | | DIMENSIONS IN | | TITLE | | DWG.No | | ISS | |
| 1 | PRODUCTION ISSUE | 38/4/97 | A | E | J | N | B | F | K | P | MATERIAL THICKNESS | TOLERANCE (UNLESS OTHERWISE STATED) | JCM2000 | | SUPER LEAD STANDARD REVERB/MAINS INPUT | | JCM2-63-00.DGM | 1 | |
| 1 | PRODUCTION ISSUE | 38/4/97 | C | G | L | Q | 1 | H | M | R | Drawn 5G | DATE 28-12-96 | Marshall | | MARSHALL AMPLIFICATION PLC | | 1 | | |
| | | | D | H | M | R | | | | | CHECKED | DATE | JCM2000 | | DENBISH ROAD, BLETCHLEY, MILTON KEYNES, MK1 10R. | | 1 | | |
| | | | | | | | | | | | APPROVED | DATE 23-6-97 | | | TEL (01908) 375413 FAX (01908) 376110 | | | | |

DWG.No. JCM2-64-00.DGM

1

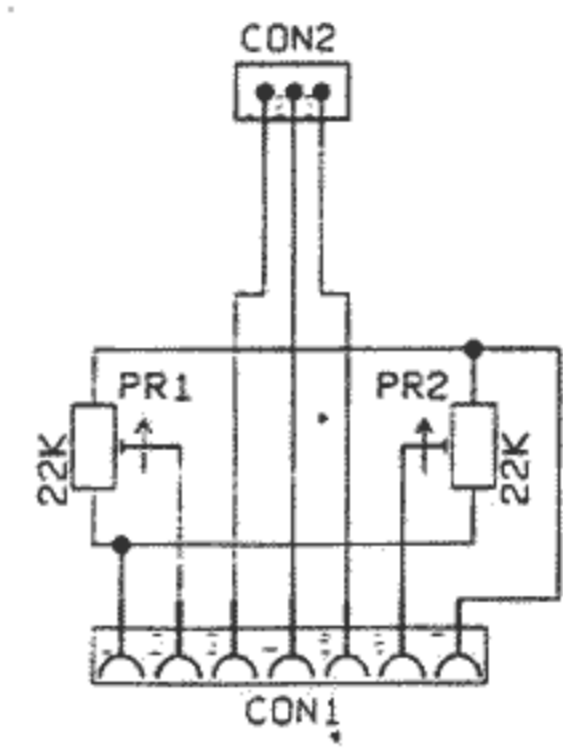
2

3

4

5

6



CON1->CON11
JCM2-60-00

ALL OTHER HOLES = X = (THROUGH PLATED)

| | | | |
|---|---|---|---|
| A | E | J | N |
| B | F | K | P |
| C | G | L | Q |
| D | H | M | R |

| | |
|----------|----------|
| DATE | 28-12-96 |
| DESIGNED | SG |
| APPROVED | SG |
| DATE | 23-6-96 |
| ISSUE | 1 |
| TITLE | JCM2000 |



| | |
|--------|--|
| TITLE | JCM2000 SUPER LEAD STANDARD BIAS BOARD |
| DWG.No | JCM2-64-00.DGM |
| ISS | 1 |

