

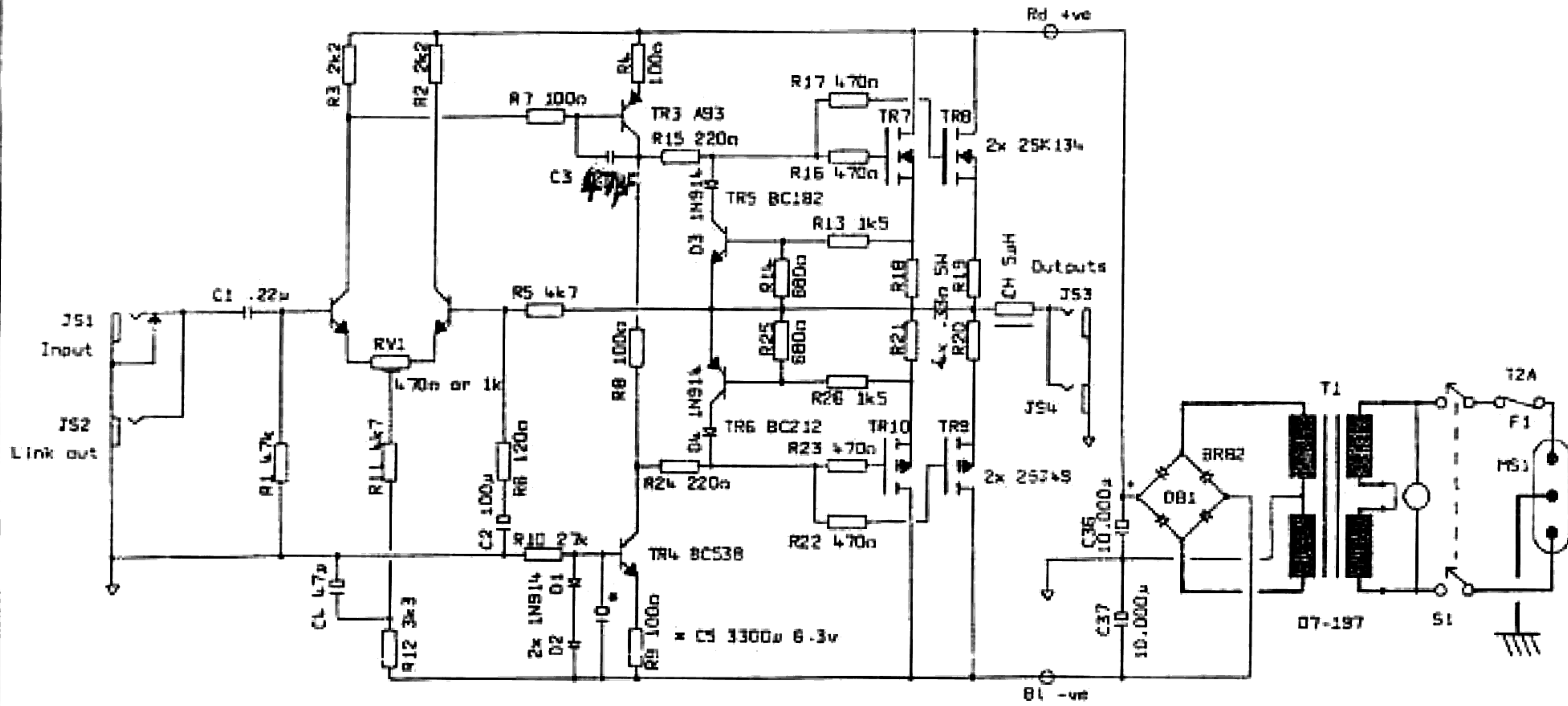
Notes:
 PCBs: Preamp JMS0E
 Rear sockets JMS1C
 All ICs MC1458
 * on pots indicates clockwise
 A-G refer to rivets on PCB

4	16-5-88	CPV
3	4-6-86	R.S.
2	10-5-85	
ISS. DATE		DRN.

DRAWING NUMBER
3520 STD
 Preamp

MARSHALL
 JIM MARSHALL
 PRODUCTS LTD.
 BLETCHLEY
 MILTON KEYNES
 ENGLAND
 File: 3520PRE.DGM

PCBs: D91 or JMS20
 Power stage - JMS20



3	21-4-88	CPV
2	4-6-86	R-5.
1	21-6-85	S-6.
ISS.	DATE	DRN.
DRAWING NUMBER		
3520		STD
5522		
MARSHALL		
JIM MARSHALL PRODUCTS LTD BLETCHLEY MILTON KEYNES ENGLAND		
File: 6020 DCM		