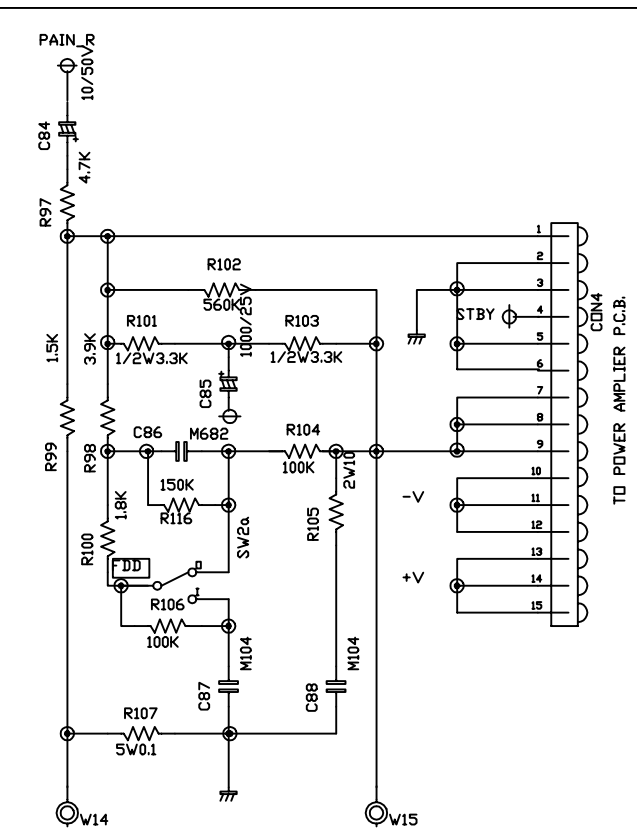
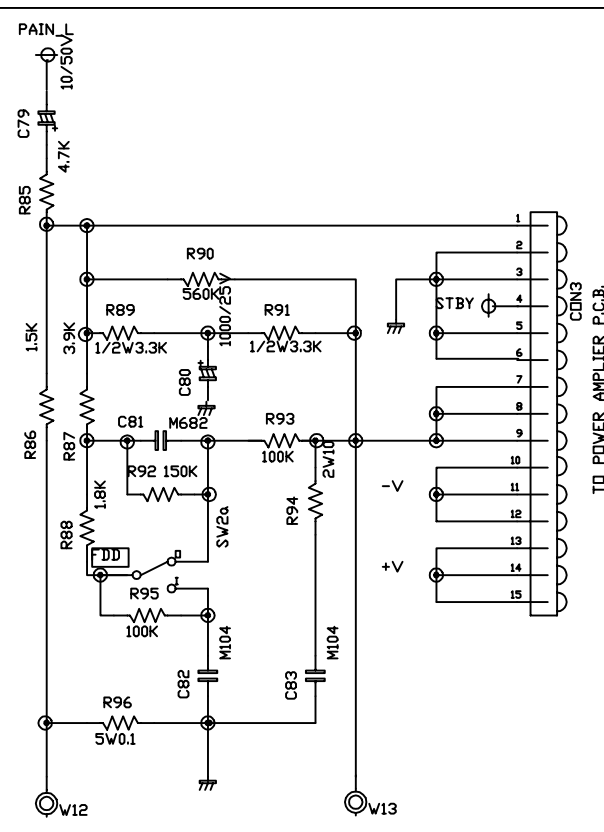
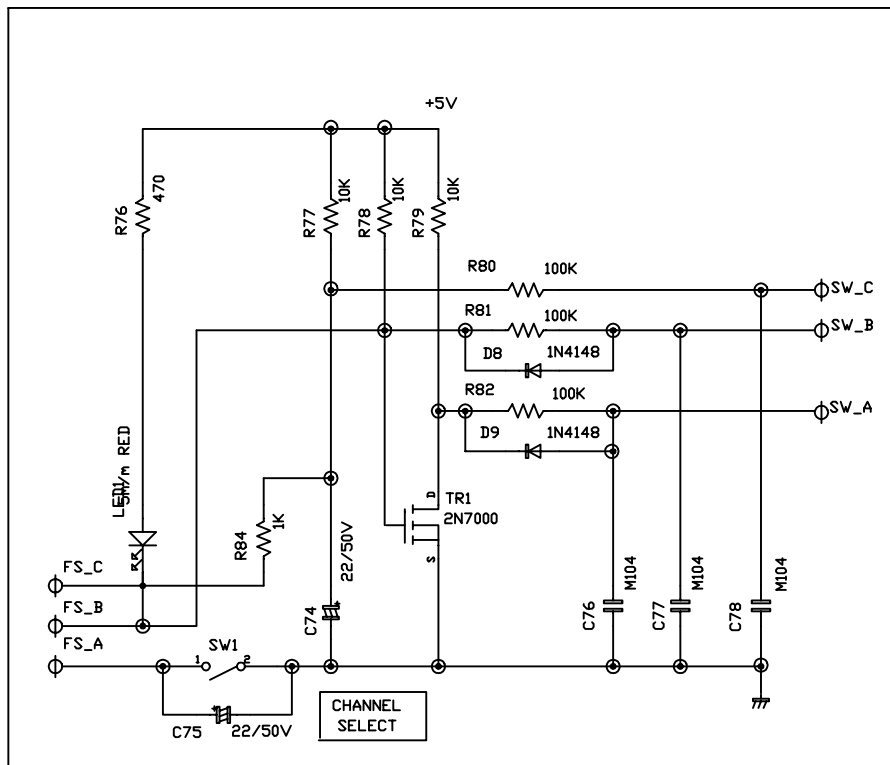
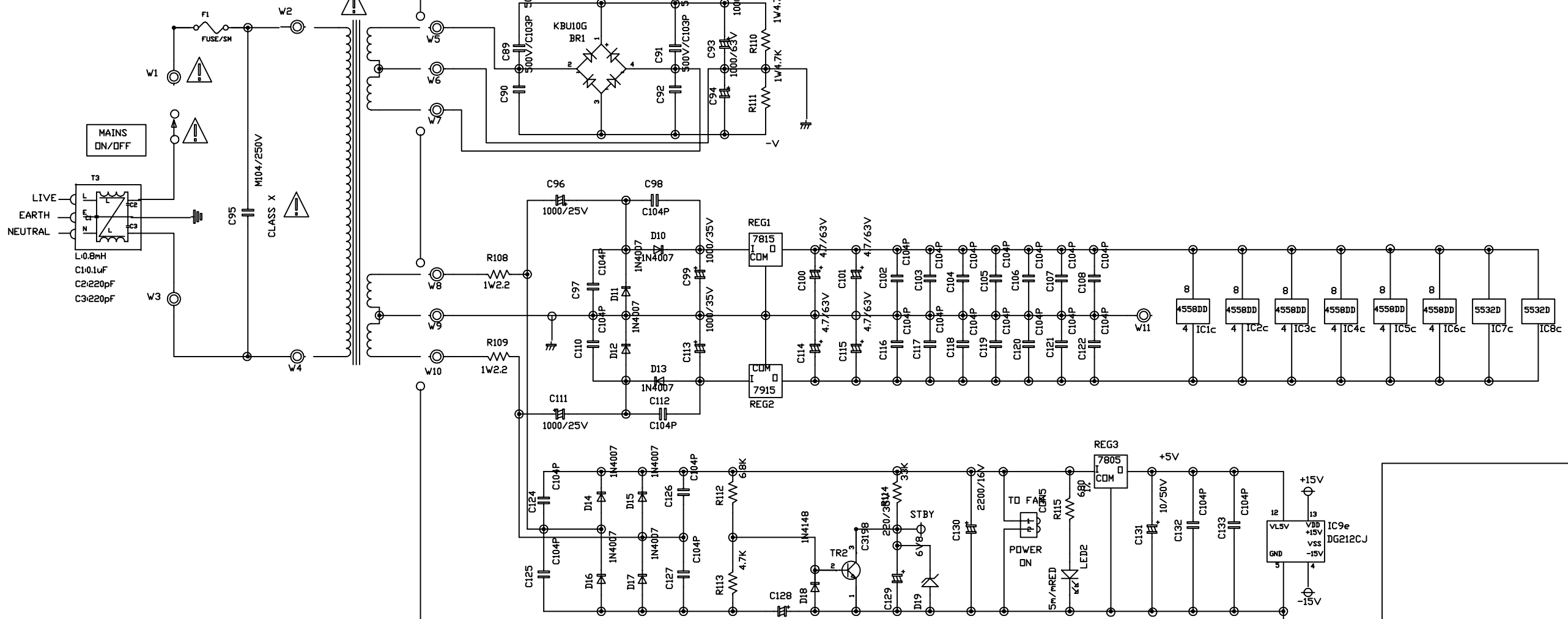
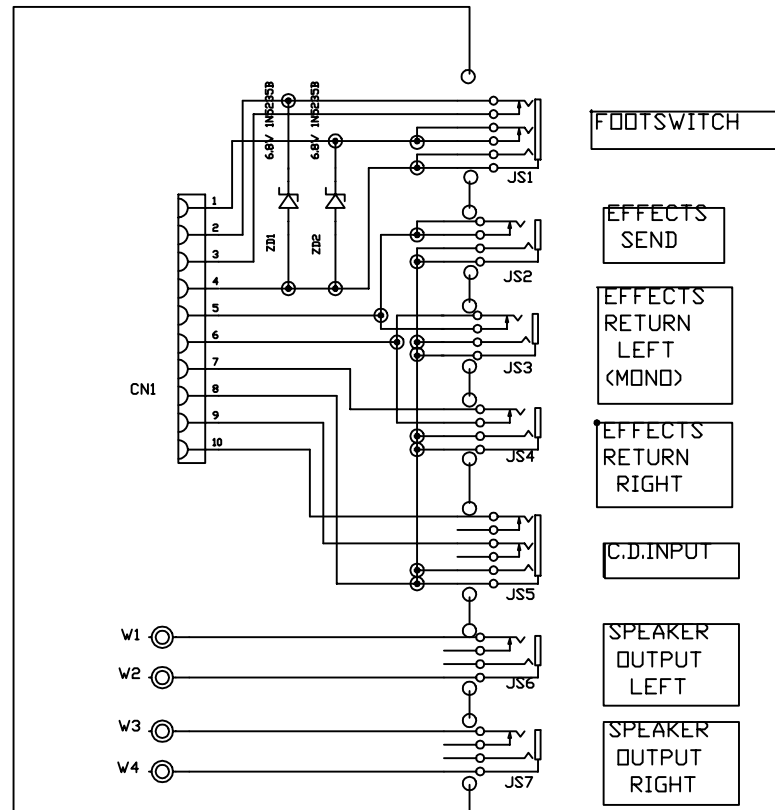


MG500100/117VF1=T1.6AL
 MG500230V F1=T630mAL
 MG2500100/117V F1=T3AL
 MG2500230V F1=T1.6AL



SAFETY CRITICAL COMPONENTS
 COMPONENTS MUST BE REPLACED
 WITH THE SAME TYPE AND
 RATING ONLY



NOTE:-JS4 AND JS6 NOT FITTED ON MG50DFX

