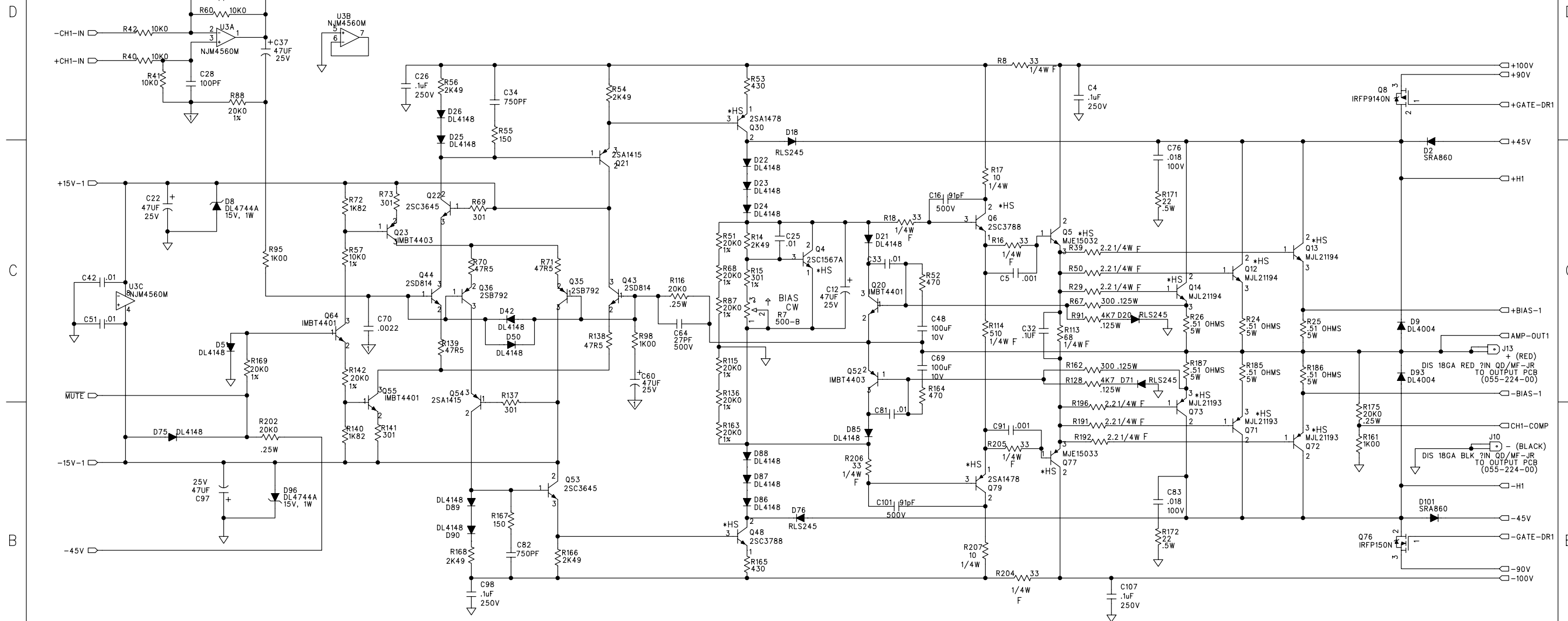


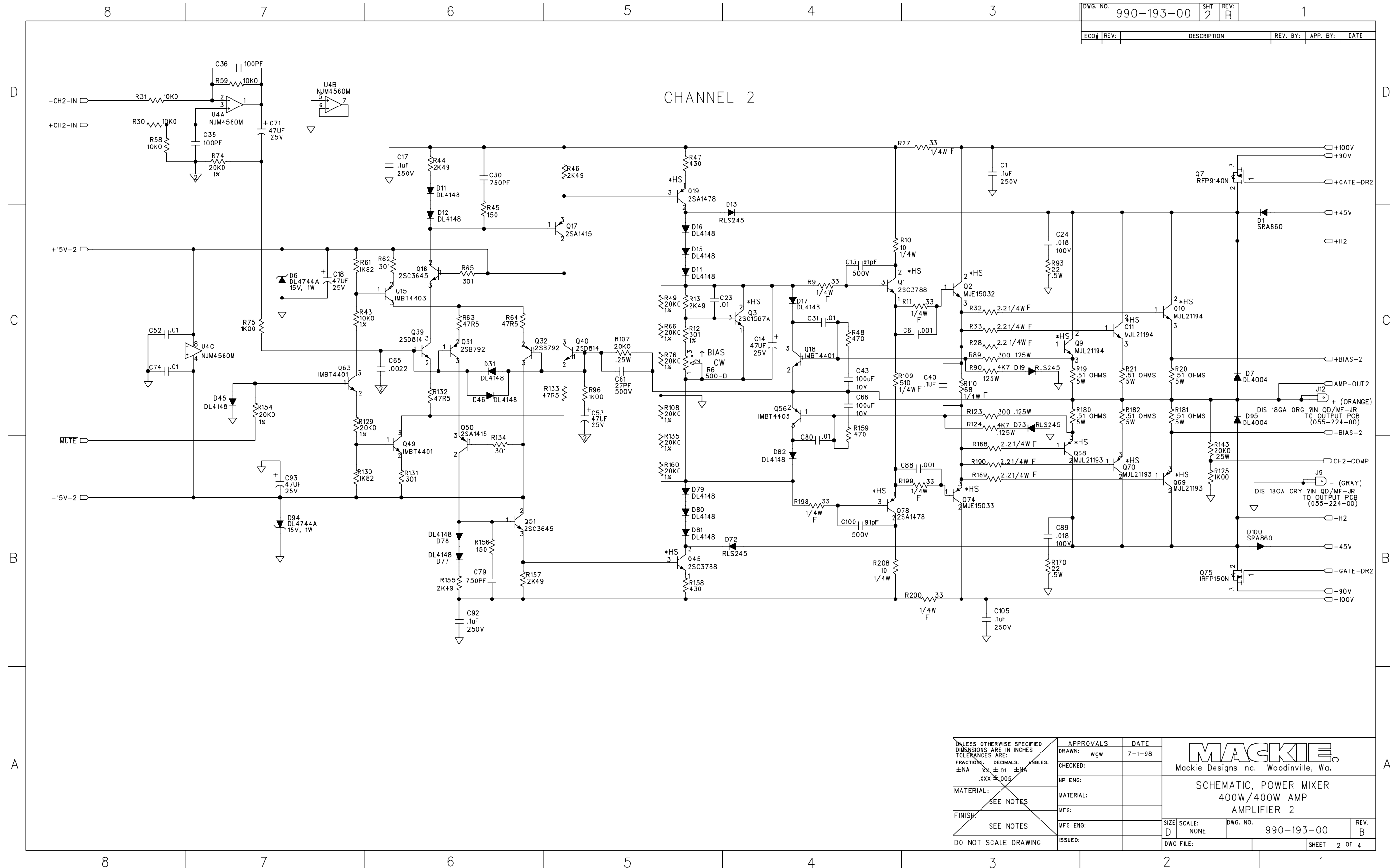
DWG. NO:	990-193-00	SHT	1	REV:	B	1
ECO#	REV:	DESCRIPTION	REV. BY:	APP. BY:	DATE	
2155	A	RELEASE TO PRODUCTION	CDJ		12-2-98	
2172	B	ADD SUB-ASSY 080-131,132 TO BOM Chg product to accept 2ohm load. FIX BUZZ BY CHANGING GND	WGJ		2-18-99	

CHANNEL 1



450-193-00
POWERED MIXER 800W AMP

UNLESS OTHERWISE SPECIFIED DIMENSIONS ARE IN INCHES TOLERANCES ARE: FRACTIONS: DECIMALS: ANGLES: ±NA .XX ±.01 ±NA .XXX ±.005	APPROVALS	DATE	MACKIE Mackie Designs Inc. Woodville, Wa. SCHEMATIC, POWER MIXER 400W/400W AMP AMPLIFIER-1
	DRAWN: wgw	7-1-98	
	CHECKED: Cal P	12-18-98	
	NP ENG: CJ	12-18-98	
MATERIAL:	MATERIAL:		
FINISH:	MFG:		
DO NOT SCALE DRAWING	MFG ENG: Leigh	12-18-98	SIZE: D SCALE: NONE DWG. NO: 990-193-00 REV: B DWG FILE: SHEET 1 OF 4



UNLESS OTHERWISE SPECIFIED
DIMENSIONS ARE IN INCHES
TOLERANCES ARE:
FRACTIONS: DECIMALS: ANGLES:
±NA .XX ±.01 ±NA
.XXX ±.005

MATERIAL: SEE NOTES
FINISH: SEE NOTES
DO NOT SCALE DRAWING

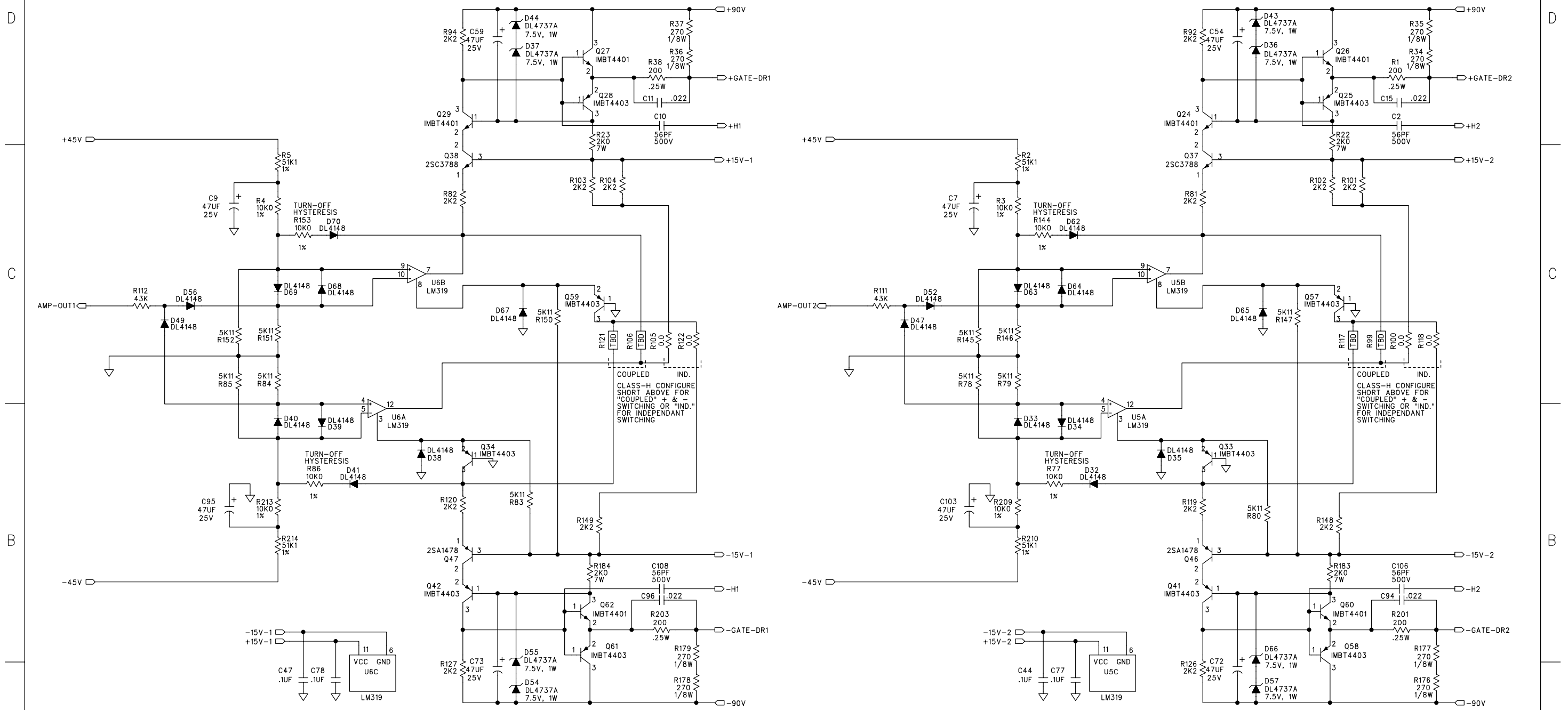
APPROVALS		DATE
DRAWN:	wgw	7-1-98
CHECKED:		
NP ENG:		
MFG:		
MFG ENG:		
ISSUED:		

MACKIE.
Mackie Designs Inc. Woodinville, Wa.

SCHEMATIC, POWER MIXER
400W/400W AMP
AMPLIFIER-2

SIZE: D	SCALE: NONE	DWG. NO. 990-193-00	REV. B
DWG FILE:		SHEET 2 OF 4	

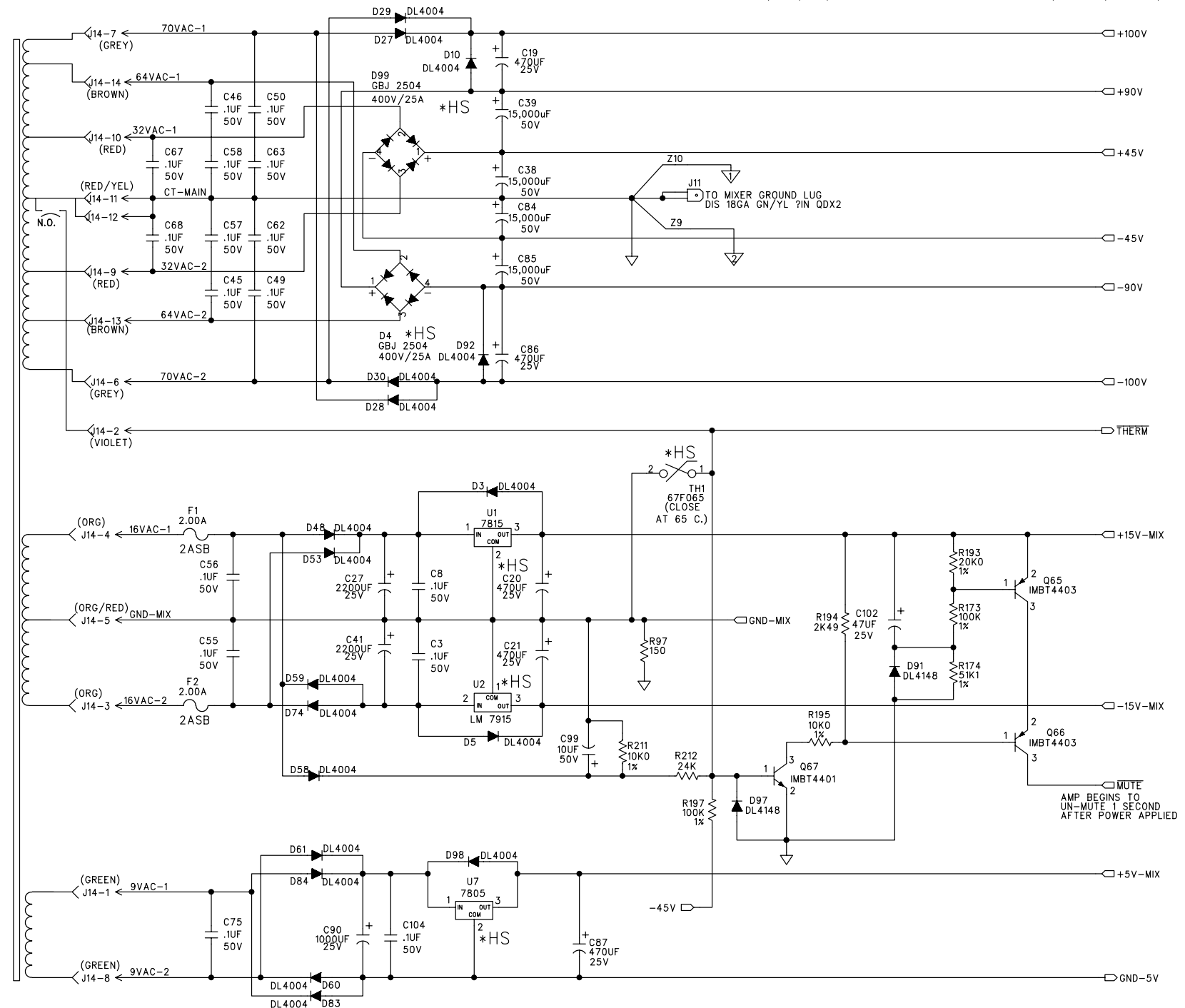
ECO#	REV.	DESCRIPTION	REV. BY:	APP. BY:	DATE
------	------	-------------	----------	----------	------



UNLESS OTHERWISE SPECIFIED DIMENSIONS ARE IN INCHES TOLERANCES ARE: FRACTIONS: DECIMALS: ANGLES: ±.NA .XX ±.01 ±NA .XXX ±.005	APPROVALS	DATE	<p>Mackie Designs Inc. Woodinville, Wa.</p> <p>SCHEMATIC, POWER MIXER 400W/400W AMP CLASS-H SWITCHING</p>
	DRAWN: wgw	7-1-98	
	CHECKED:		
	NP ENG:		
MATERIAL: SEE NOTES	MATERIAL:		SIZE SCALE: NONE DWG. NO. 900-193-00 REV. B
FINISH: SEE NOTES	MFG:		
DO NOT SCALE DRAWING	MFG ENG:		
	ISSUED:		DWG FILE: SHEET 3 OF 4

- TO MIXER
- J15-1 ← +15V-MIX
 - J15-2 ← GND-MIX
 - J15-3 ← -15V-MIX
 - J15-4 ← +5V-MIX
 - J15-5 ← GND-5V
 - J15-6 ← +CH2-IN
 - J15-7 ← -CH2-IN
 - J15-8 ← -CH1-IN
 - J15-9 ← +CH1-IN
 - J15-10 ← NC
 - J15-11 ← CH2-COMP
 - J15-12 ← CH1-COMP

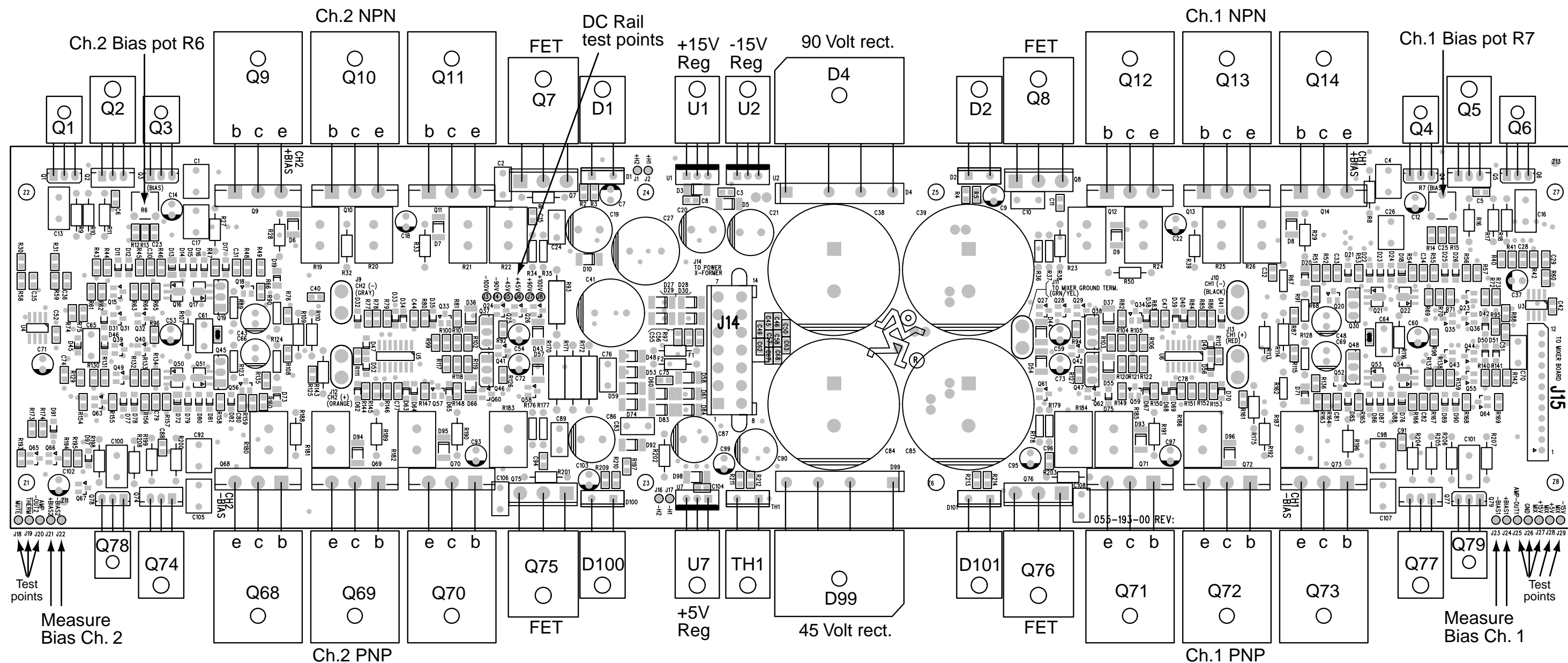
- TEST POINTS
- J8 ○ +100V
 - J7 ○ +90V
 - J6 ○ +45V
 - J27 ○ +15V-MIX
 - J28 ○ +5V-MIX
 - J29 ○ -15V-MIX
 - J5 ○ -45V
 - J4 ○ -90V
 - J3 ○ -100V
 - J26 ○ THERM
 - J19 ○ MUTE
 - J18 ○ MUTE
 - J25 ○ AMP-OUT1
 - J24 ○ +BIAS-1
 - J23 ○ -BIAS-1
 - J2 ○ +H1
 - J17 ○ -H1
 - J20 ○ AMP-OUT2
 - J21 ○ +BIAS-2
 - J22 ○ -BIAS-2
 - J1 ○ +H2
 - J16 ○ -H2



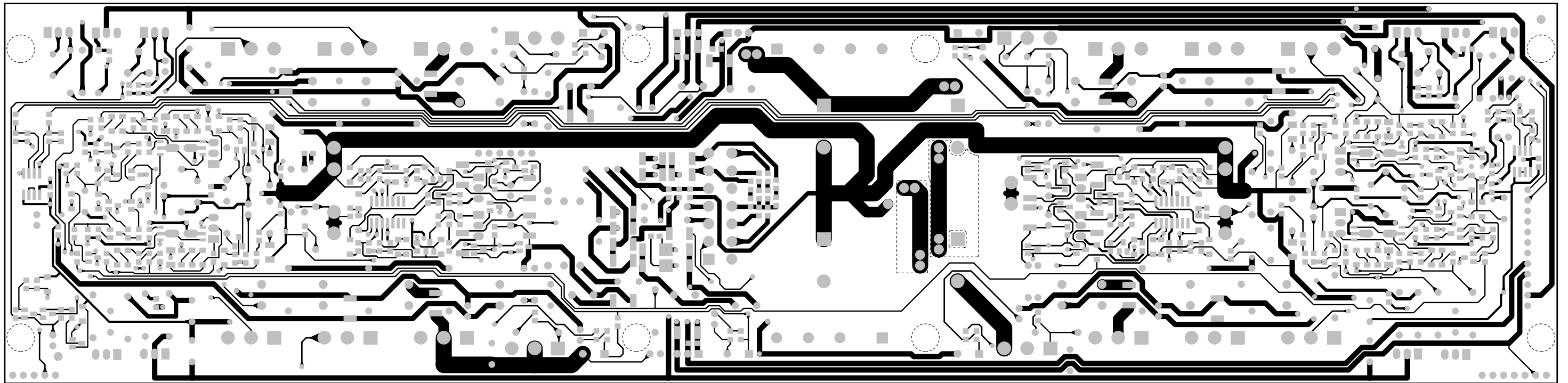
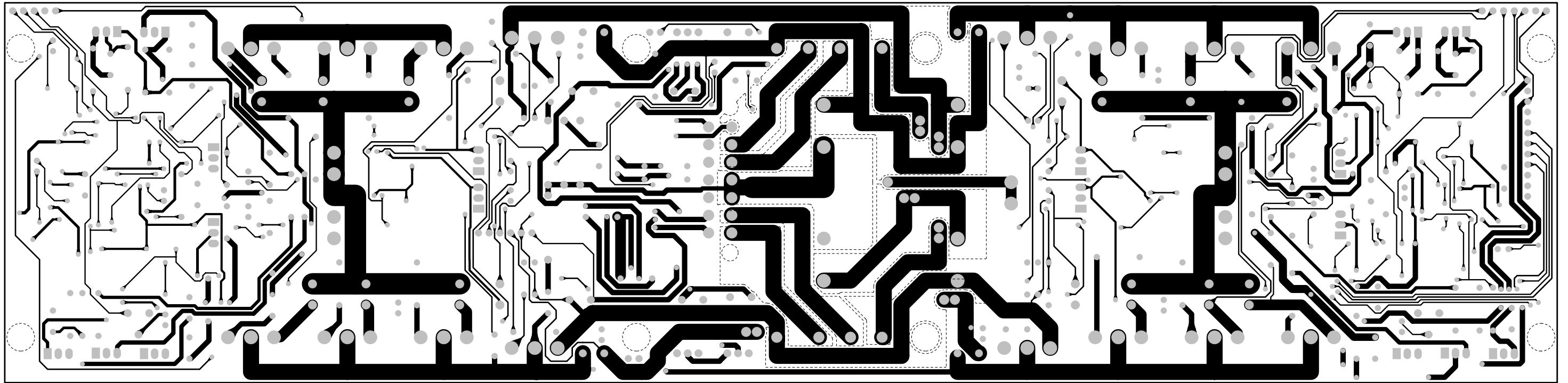
UNLESS OTHERWISE SPECIFIED DIMENSIONS ARE IN INCHES TOLERANCES ARE: FRACTIONS: DECIMALS: ANGLES: ±.NA .XX ±.01 ±NA .XXX ±.005	APPROVALS	DATE			
	DRAWN: wgw	7-1-98			
	CHECKED:				
	NP ENG:				
MATERIAL: SEE NOTES	MATERIAL:		SCHEMATIC, POWER MIXER 400W/400W AMP POWER SUPPLY		
FINISH: SEE NOTES	MFG:				
DO NOT SCALE DRAWING	MFG ENG:				
	ISSUED:				
		SIZE: D	SCALE: NONE	DWG. NO. 990-193-00	REV. B
		DWG FILE:			SHEET 4 OF 4

Part #	Description	Type	Reference Designator
300-003-00	DIODE SIGNAL SMD	DL4148	D11-12 D14-17 D21-26 D31-35 D38-42 D45-47 D49-52 D56 D62-65 D67-70 D75 D77-82 D85-91 D97
300-010-00	DIODE SIGNAL SMD	RLS245	D13 D18-20 D71-73 D76
301-019-00	DIO PWR BRDG 25A 400V SIP	GBJ 2504	D4 D99
301-021-00	DIO PWR DL4004 SM	DL4004	D3 D5 D7 D9-10 D27-30 D48 D53 D58-61 D74 D83-84 D92-93 D95 D98
301-024-00	DIO STKY SRA860	SRA860	D1-2 D100-101
302-022-03	DIO ZEN DL4744 15V 1W	DL4744A	D6 D8 D94 D96
302-024-03	DIO ZEN DL4737 7.5V 1W	DL4737A	D36-37 D43-44 D54-55 D57 D66
310-033-00	TRANSISTOR PNP	MJL21193	Q68-73
310-034-00	TRANSISTOR NPN	MJL21194	Q9-14
310-035-00	TRANSISTOR PNP	2SA1478	Q46-47 Q78-79
310-036-00	TRANSISTOR NPN	2SC3788	Q1 Q6 Q37-38
310-042-00	TRANSISTOR NPN	MJE15032	Q2 Q5
310-043-00	TRANSISTOR PNP	MJE15033	Q74 Q77
310-050-00	TRANSISTOR NPN	2SC1567A	Q3-4

Part #	Description	Type	Reference Designator
310-053-00	XSTR MOSFET PCH IRFP9140N	IRFP9140N	Q7-8
310-054-00	XSTR MOSFET IRFP150N	IRFP150N	Q75-76
311-001-00	X-SISTOR NPN SMD	IMBT4401	Q18 Q20 Q24 Q26-27 Q29 Q49 Q55 Q60 Q62-64 Q67
311-002-00	X-SISTOR PNP SMD	IMBT4403	Q15 Q23 Q25 Q28 Q33-34 Q41-42 Q52 Q56-59 Q61 Q65-66
311-007-00	TRANSISTOR PNP SMD	2SA1415	Q17 Q21 Q50 Q54
311-008-00	TRANSISTOR NPN SMD	2SC3645	Q16 Q22 Q51 Q53
311-019-00	TRANSISTOR PNP SMD	2SB792	Q31-32 Q35-36
311-020-00	TRANSISTOR NPN SMD	2SD814	Q39-40 Q43-44
320-012-00	I.C. LINEAR SMD	NJM4560M	U3-4
321-001-00	I.C. LINEAR NEG 3 TERM	LM 7915	U2 VOLTAGE REGULATOR
321-002-00	I.C. LINEAR POS 3 TERM	LM 7815	U1 VOLTAGE REGULATOR
321-003-00	I.C. LINEAR POS 3 TERM	LM 7805	U7 VOLTAGE REGULATOR
323-012-00	IC, COMP DUAL LM319 SM	LM319	U5-6



Bottom of Board



Top of Board