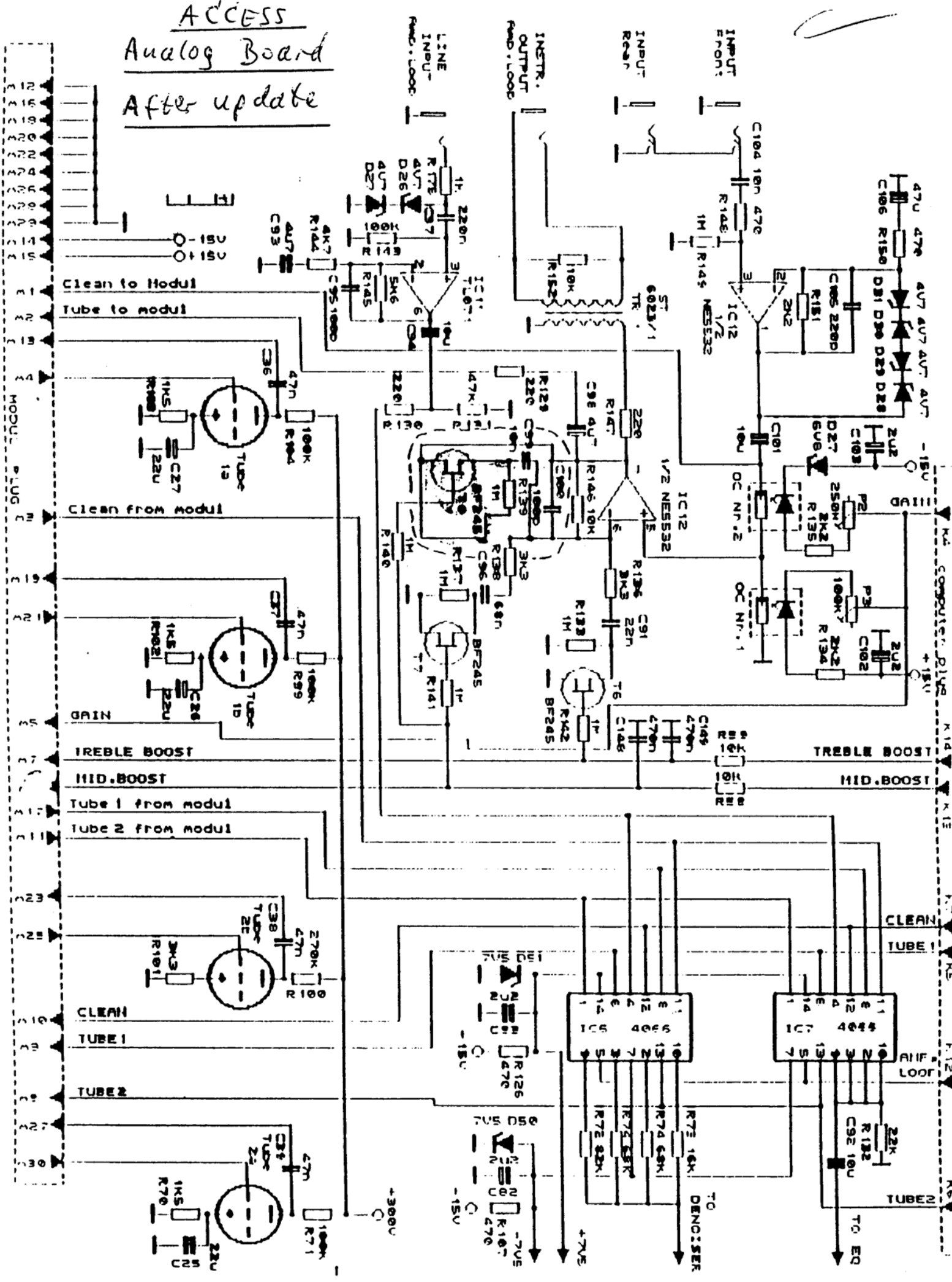
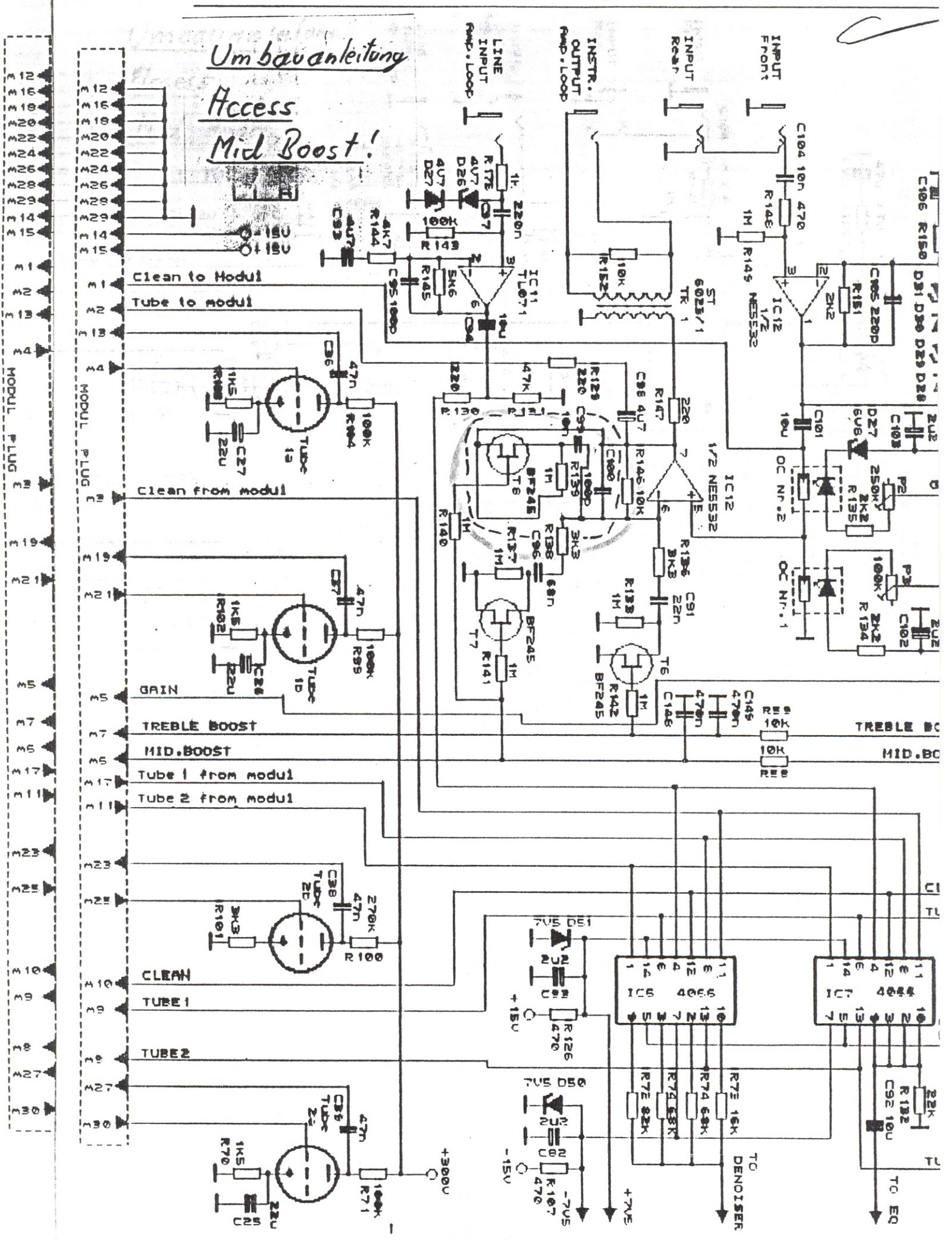


ACCESS  
Analog Board  
After update



Umbauanleitung

Access  
Mid Boost!

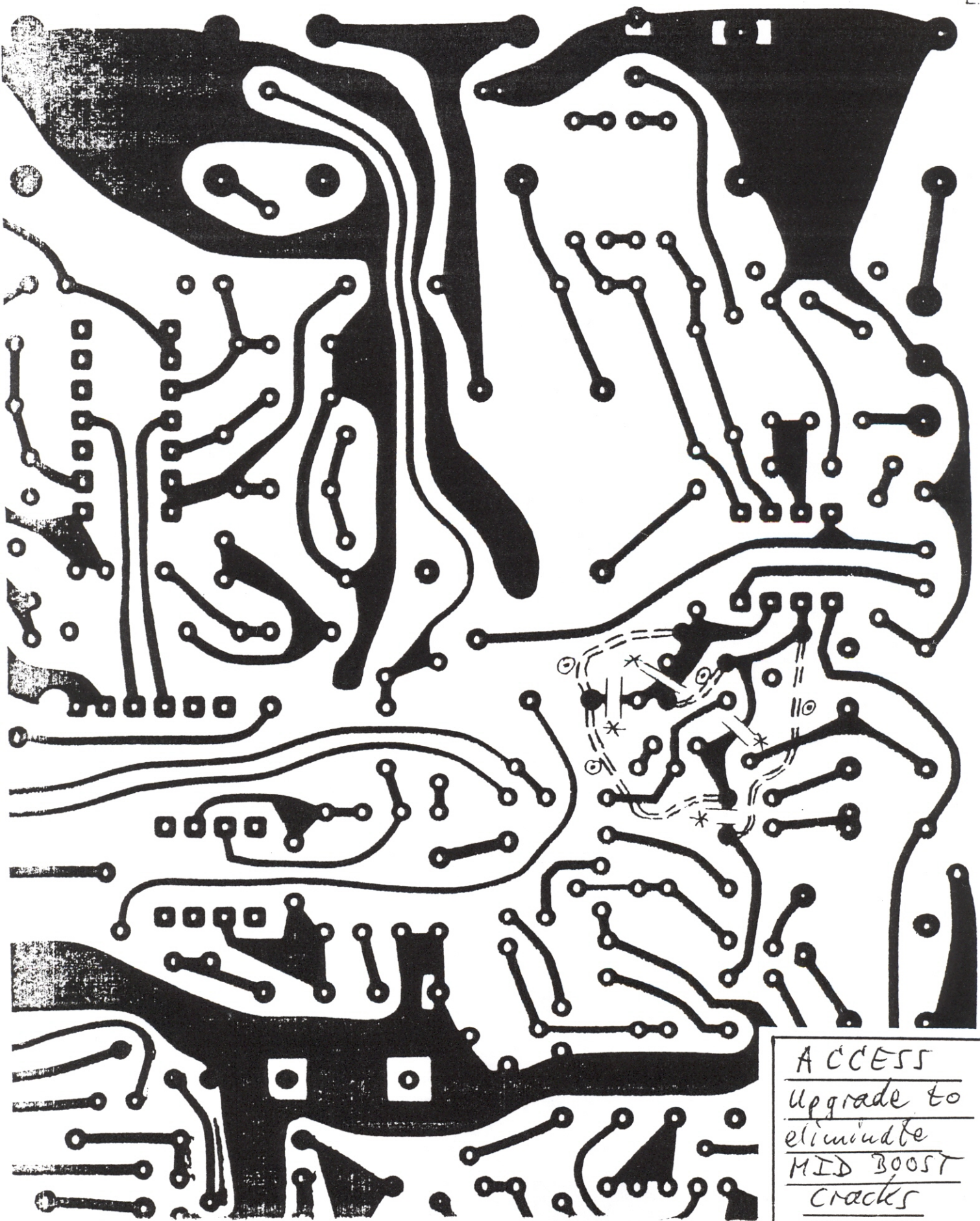


\* = cut

⊙ = wire-connection

Input-Jack  
on Rear

Soldering Side | Analog Board



ACCESS  
Upgrade to  
eliminate  
MID BOOST  
cracks

