

Pre-AMP Board

Inputs

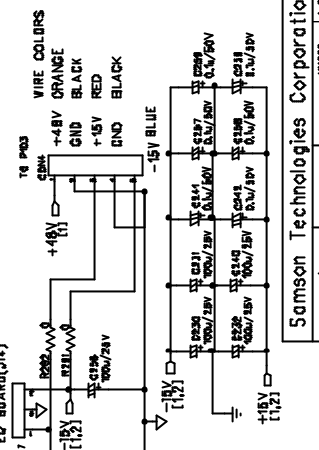
LINE OUT

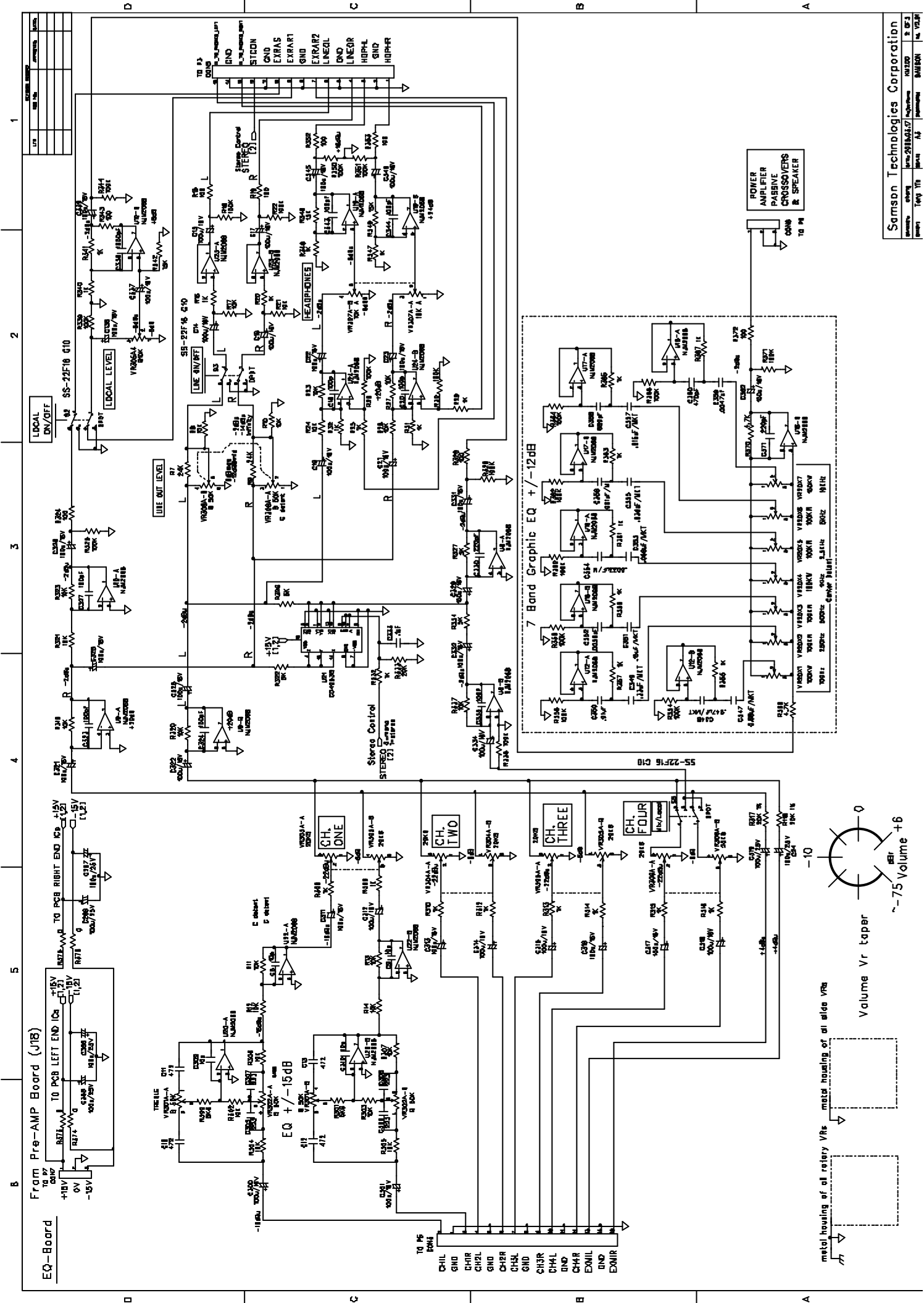
TO ED BOARD (J1)

STEREO INPUT TO HEADPHONES ONLY
Left = Tip (T)
Right = Ring (R)
Ground = Sleeve (S)

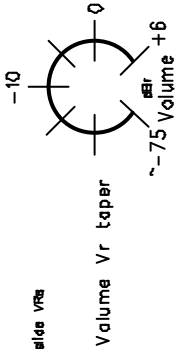
HEADPHONES
R Maximum Output Levels
200mW @ 600 ohms
60mW @ 34 ohms
(2.3VAC RMS)

TO PHONES ONLY LEVEL

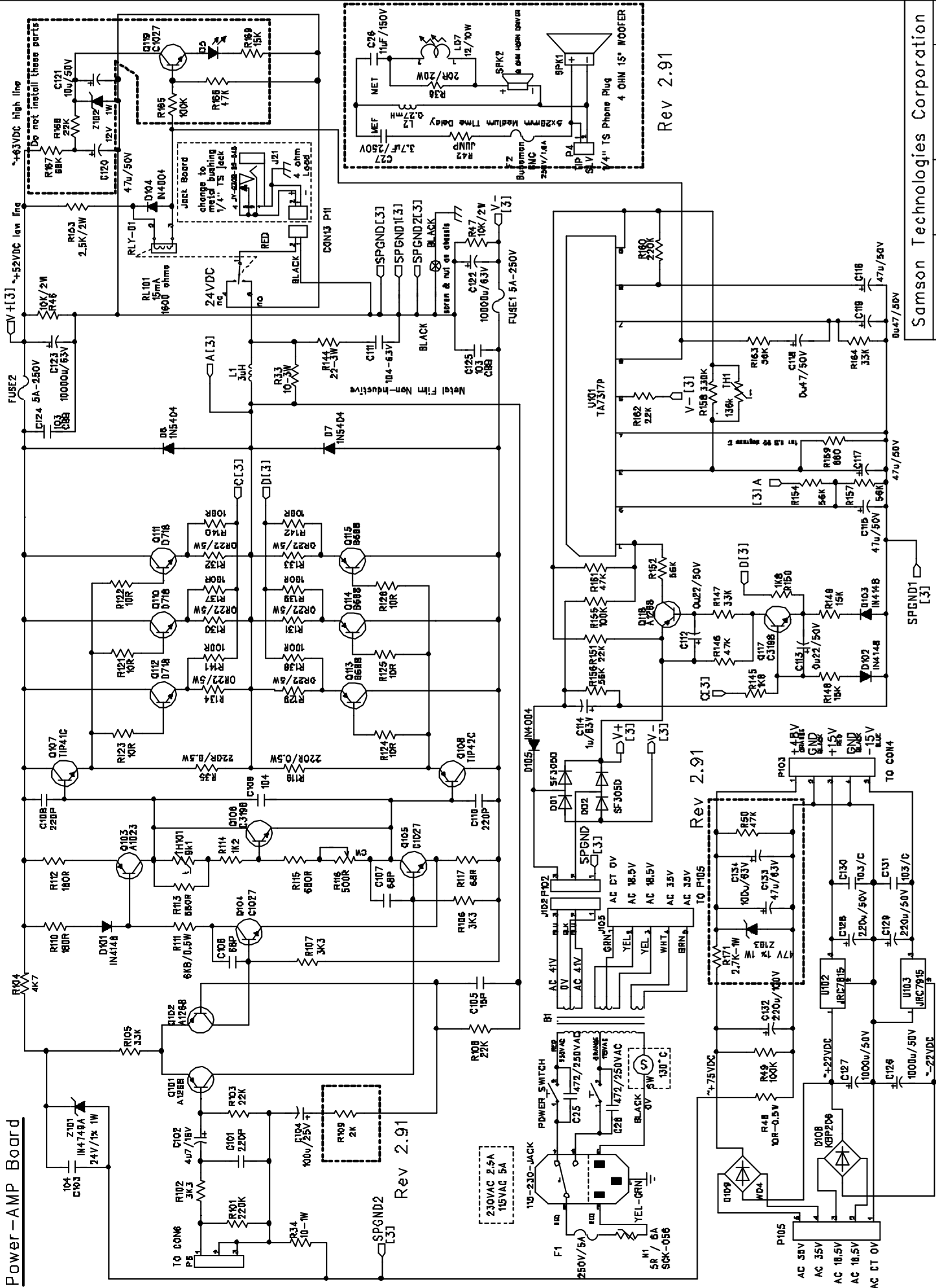




Samson Technologies Corporation			
DATE:	REV:	BY:	CHK:
01/23/00	01/23/00	AS	AS
01/23/00	01/23/00	AS	AS



Power-AMP Board



Rev 2.91

Samson Technologies Corporation	DATE: 2005.03.17	Part Number: KM200	3 OF 3
Drawn by: chong	Checked: A3	Reviewed: SAMSON	Rev: V2.91