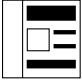
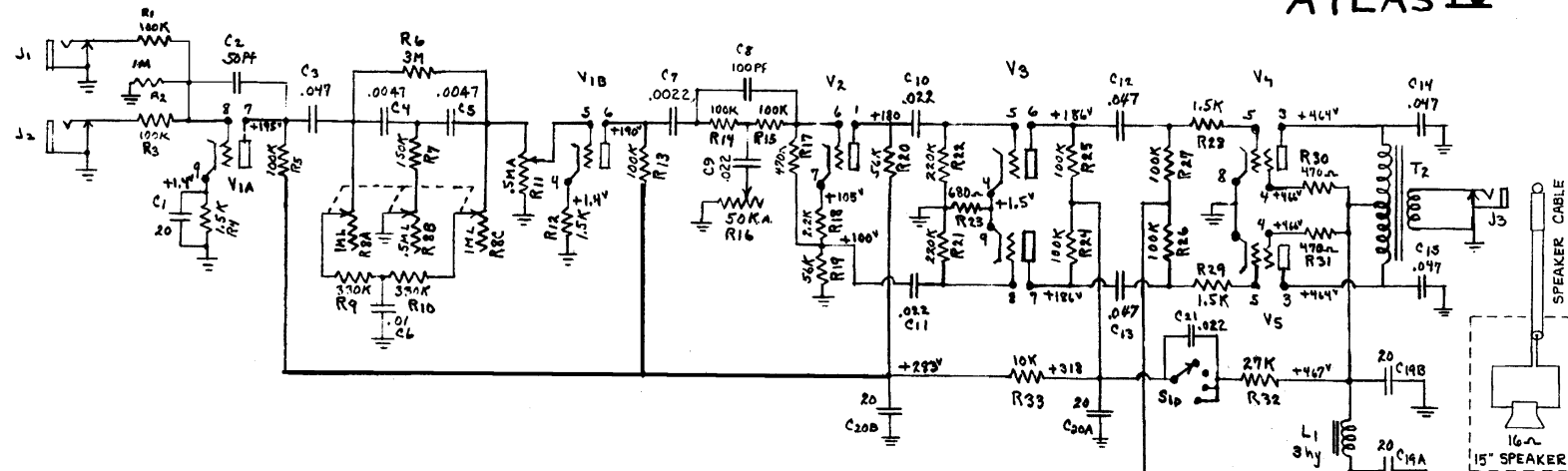
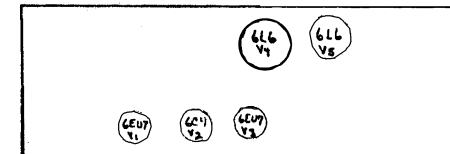
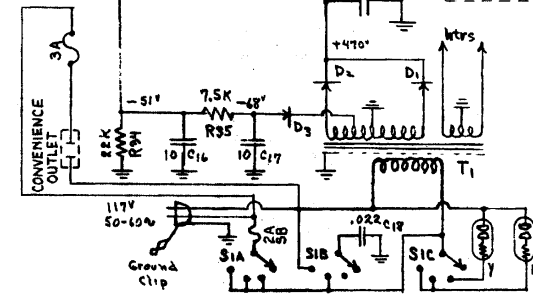


- ▶ **This File contains 116 schematics from the Gibson company**
- ▶ **To use this file click on the Show/Hide Navigation Pane  (on the menu bar), and then click the Bookmarks tab**
- ▶ **or ... Choose Window > Show Bookmarks**
- ▶ **Click the bookmark for the manufacturer whose schematics you wish to view**
- ▶ **If the entry has a triangle to the left, click on the triangle to view sub-entries**

ATLAS IV



- |                     |   |               |
|---------------------|---|---------------|
| R8                  | Bass Tone Control, R8A,R8C 1 meg. linear, R8B 500K linear | C-BA-813-4000 |
| R11                 | Volume Control, 500K, C2 Audio Taper                      | C-BA-811-3707 |
| R16                 | Treble Control, 50K, C2 Audio Taper                       | C-BA-811-3703 |
| D1,D2               | Diodes - 1200 PIV, 250 MA                                 | DI-57         |
| D3                  | Diode - 200 PIV, 150 MA                                   | DI-69A        |
| T1                  | Power Transformer   | TF-77P-S      |
| T2                  | Output Transformer  | TF-472-0      |
| L1                  | Filter Choke  | TF-3021H      |
| S1A,S1B,<br>S1C,S1D | Switch, Power, Polarity, standby                          | SW-78         |
|                     | 15" Speaker, 16 ohm, 40 cycle                             | S-0127        |



D.C. VOLTAGES TO CHASSIS WITH V.T.V.M. CAPACITORS IN MFD EXCEPT WHERE NOTED.

FUSE

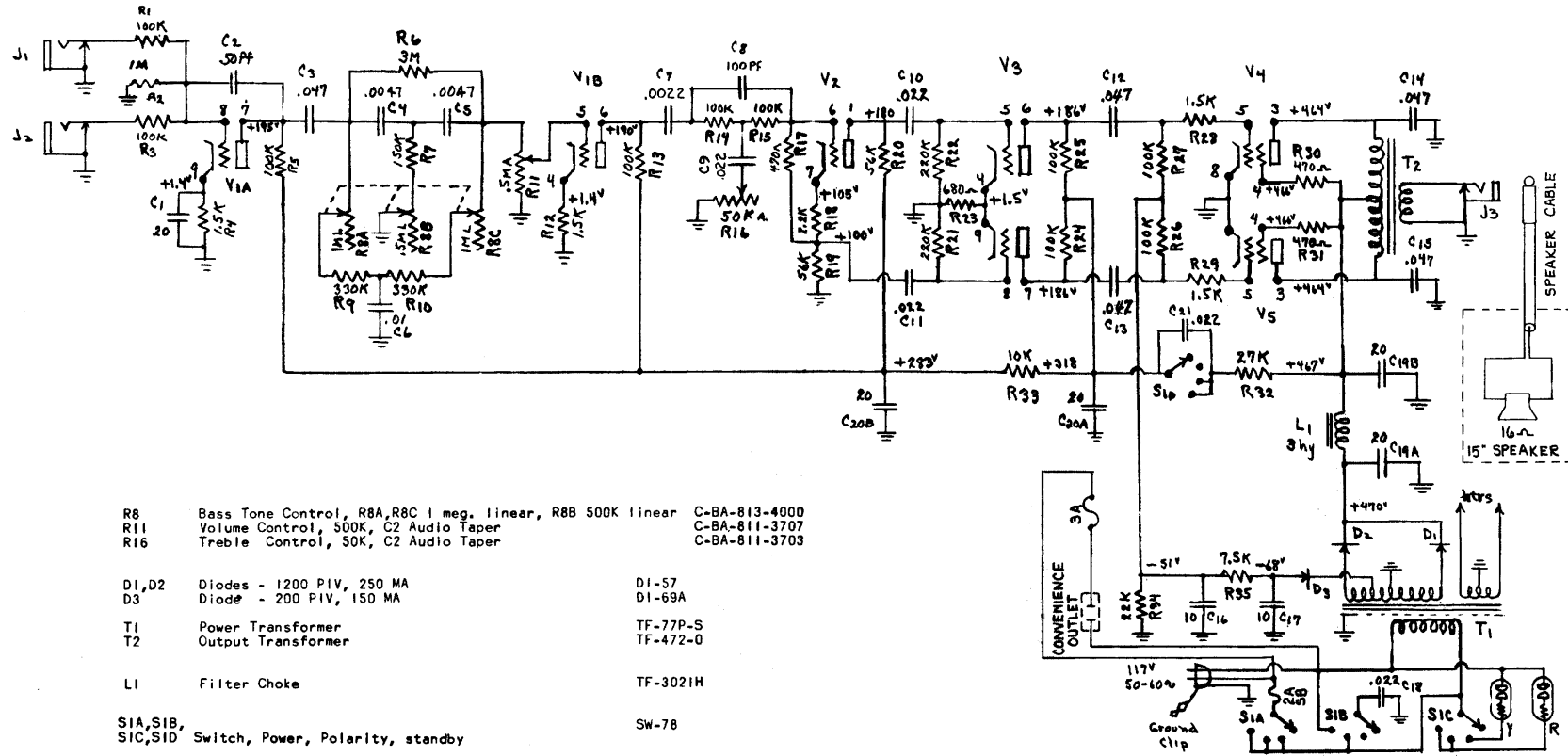
The fuse used in this Amplifier is a type 3AG of three amperes rating  
DO NOT USE FUSES OF HIGHER RATING

SERVICE

If the amplifier is in need of servicing, it should be taken to a reliable radio man. The electrical diagram in this folder should be shown the repairman to assist him in servicing the amplifier.



## ATLAS MEDALIST



R8 Bass Tone Control, R8A,R8C 1 meg. linear, R8B 500K linear  
 R11 Volume Control, 500K, C2 Audio Taper  
 R16 Treble Control, 50K, C2 Audio Taper

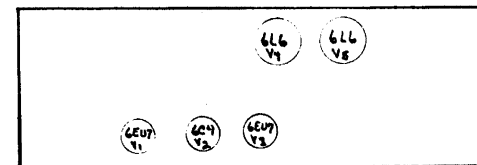
D1,D2 Diodes - 1200 PIV, 250 MA  
 D3 Diode - 200 PIV, 150 MA

T1 Power Transformer TF-77P-S  
 T2 Output Transformer TF-472-0

L1 Filter Choke TF-3021H

S1A,S1B, Switch, Power, Polarity, standby SW-78  
 S1C,S1D

15" Speaker, 16 ohm, 40 cycle S-0127



D.C. VOLTAGES TO CHASSIS WITH V.T.V.M.  
 CAPACITORS IN MFD EXCEPT WHERE NOTED.



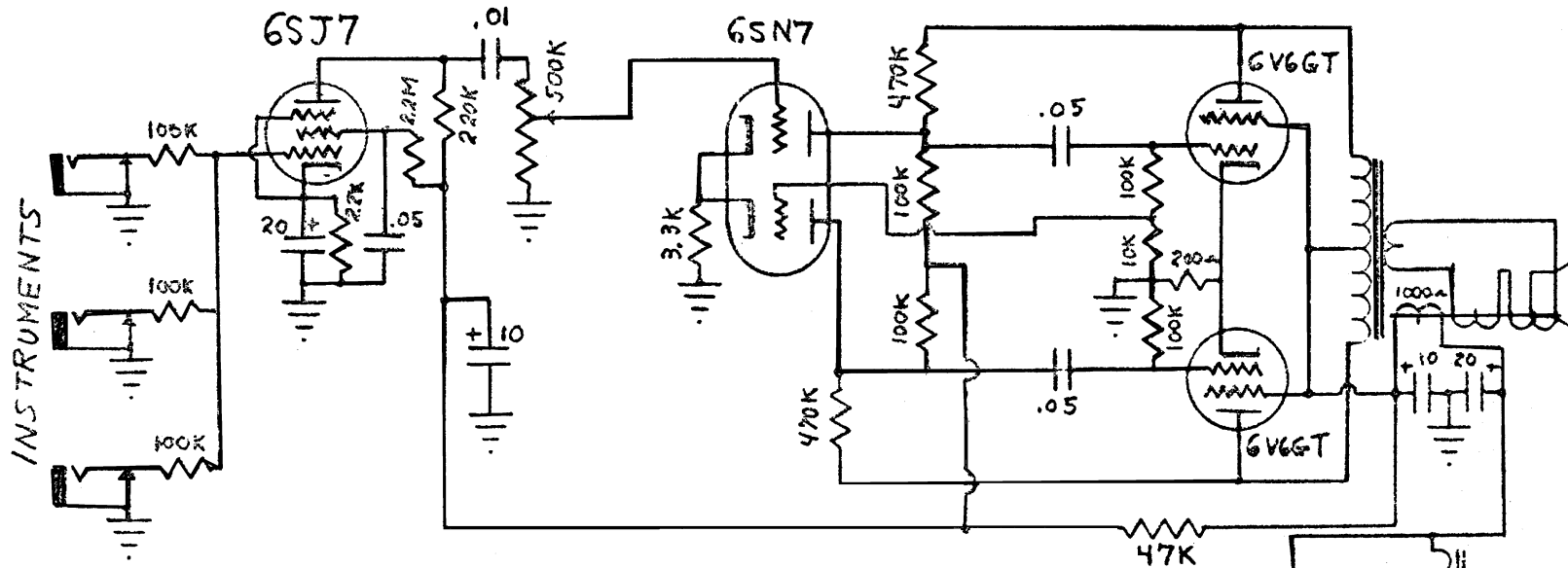




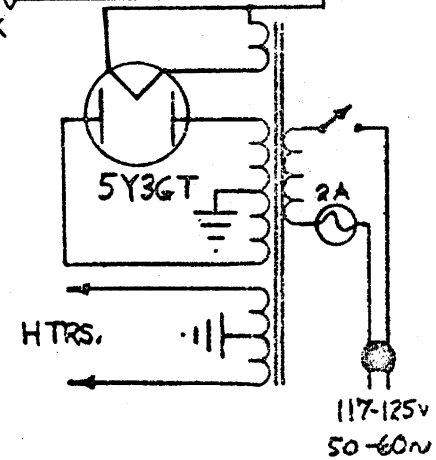
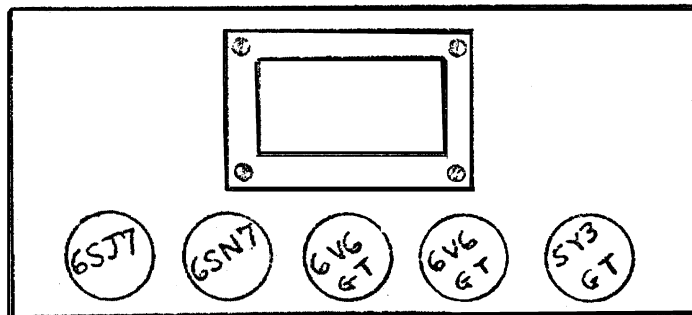




BR-6F

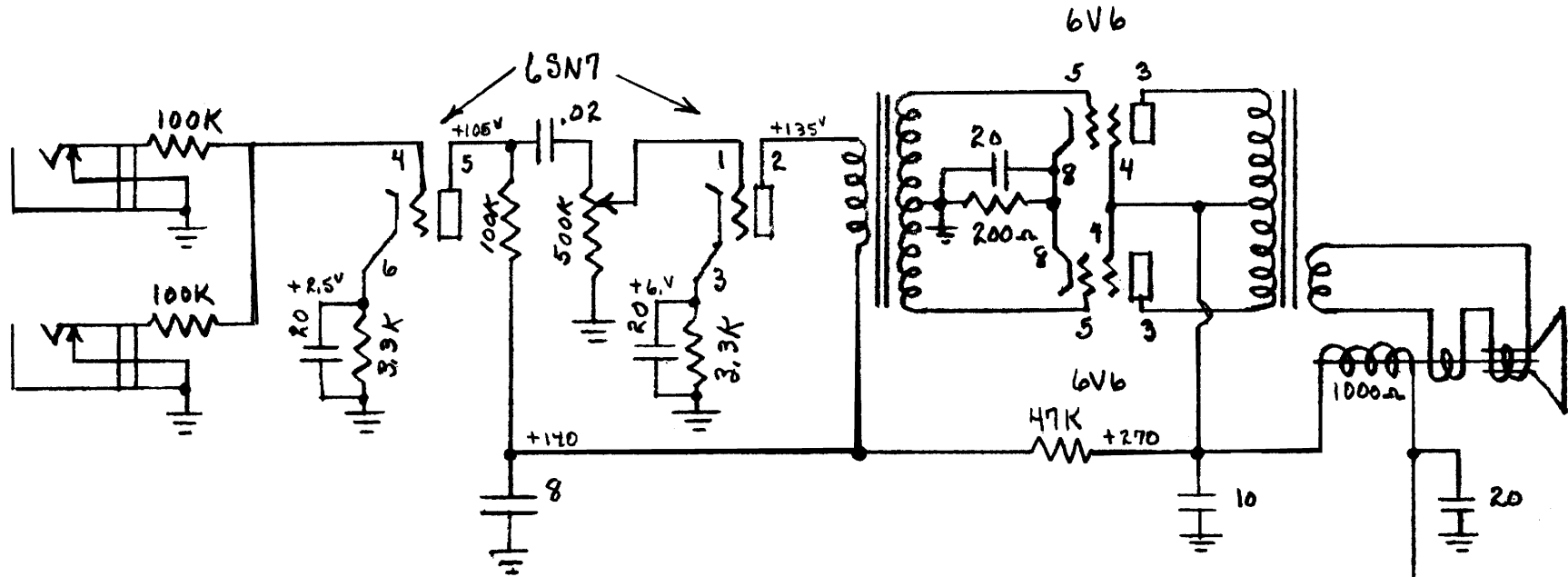


TUBE PLACEMENT CHART

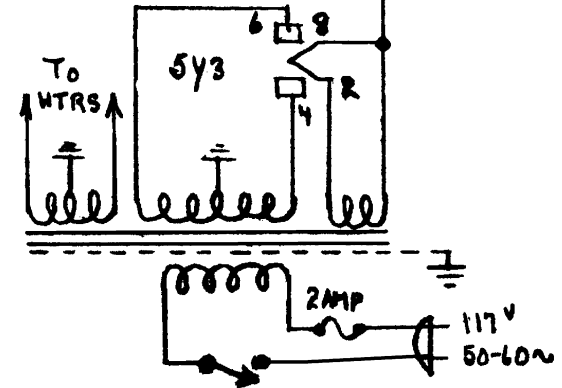
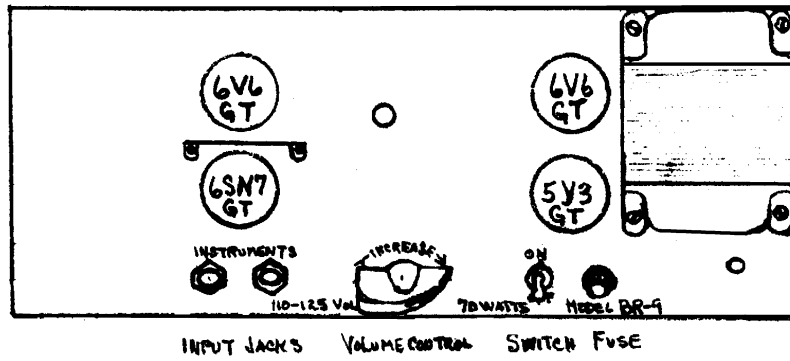


GIBSON INC.	KALAMAZOO MICH	DATE: 11 OCT 1960	DRAWN BY: MCP	CHECKED BY:
-------------	----------------	-------------------	---------------	-------------

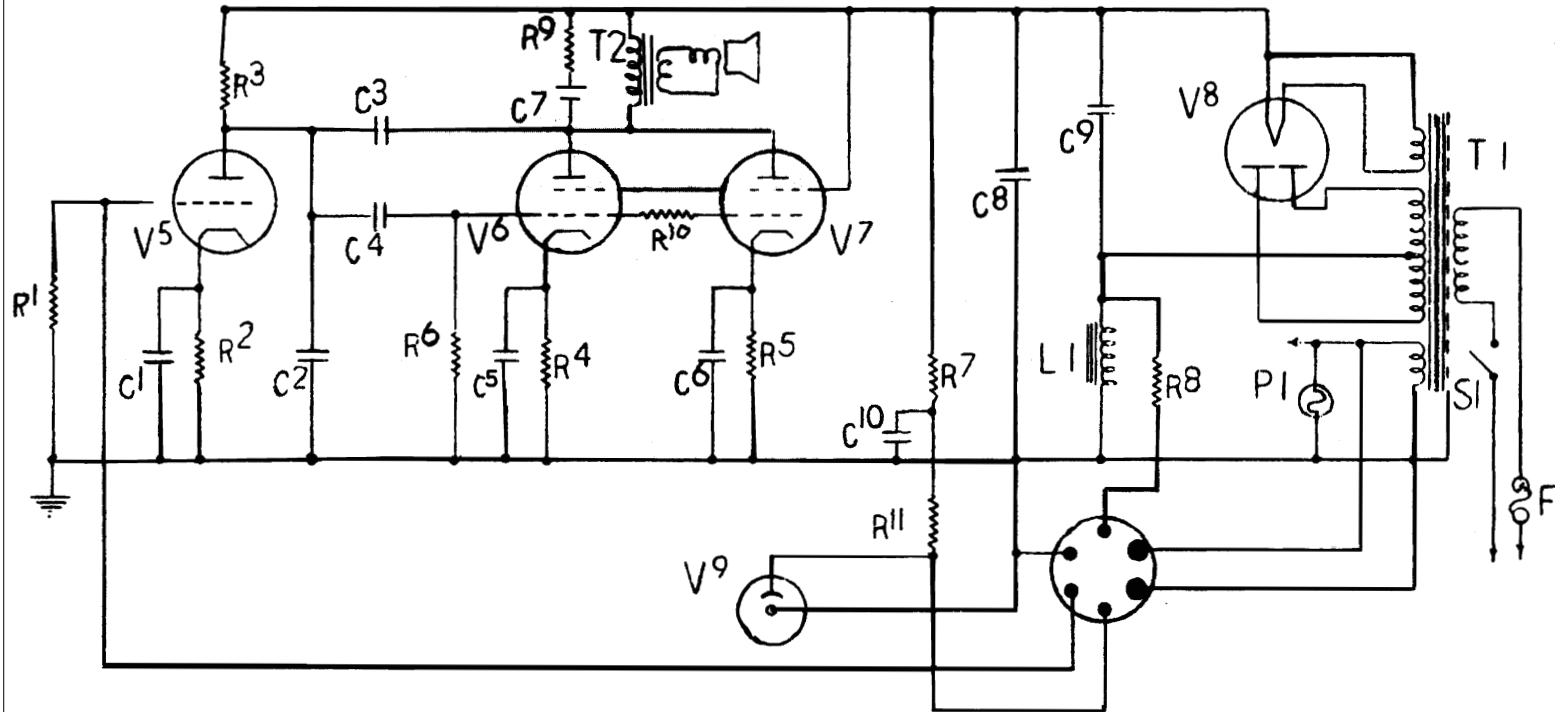
BR-9



Top View of Chassis







R1	1. Megohm
R2	8,200 Ohms
R3	270K
R4	620 Ohms
R5	620 Ohms
R6	470K
R7	8,200 Ohms
R8	2.2 Megohm
R9	4,700 Ohms
R10	1,000 Ohms
R11	4,700 Ohms
C1	20MFD. 25V
C2	.002 MFD. 600V
C3	50 MMF. 500V
C4	.1 MFD. 400V
C5	50MFD. 50V
C6	50MFD. 50V
C7	.003MFD. 600V
C8	20MFD. 450V
C9	20MFD. 450V
C10	35MFD. 350V
T1	GA-40-P
T2	X-3740
L1	GA-10-C
F1	2 AMP. TYPE 3AG
P1	#44 or #47
S1	SPST SWITCH
V5	6J5
V6	6V6G/GT
V7	6V6G/GT
V8	5V3G/GT
V9	0A2

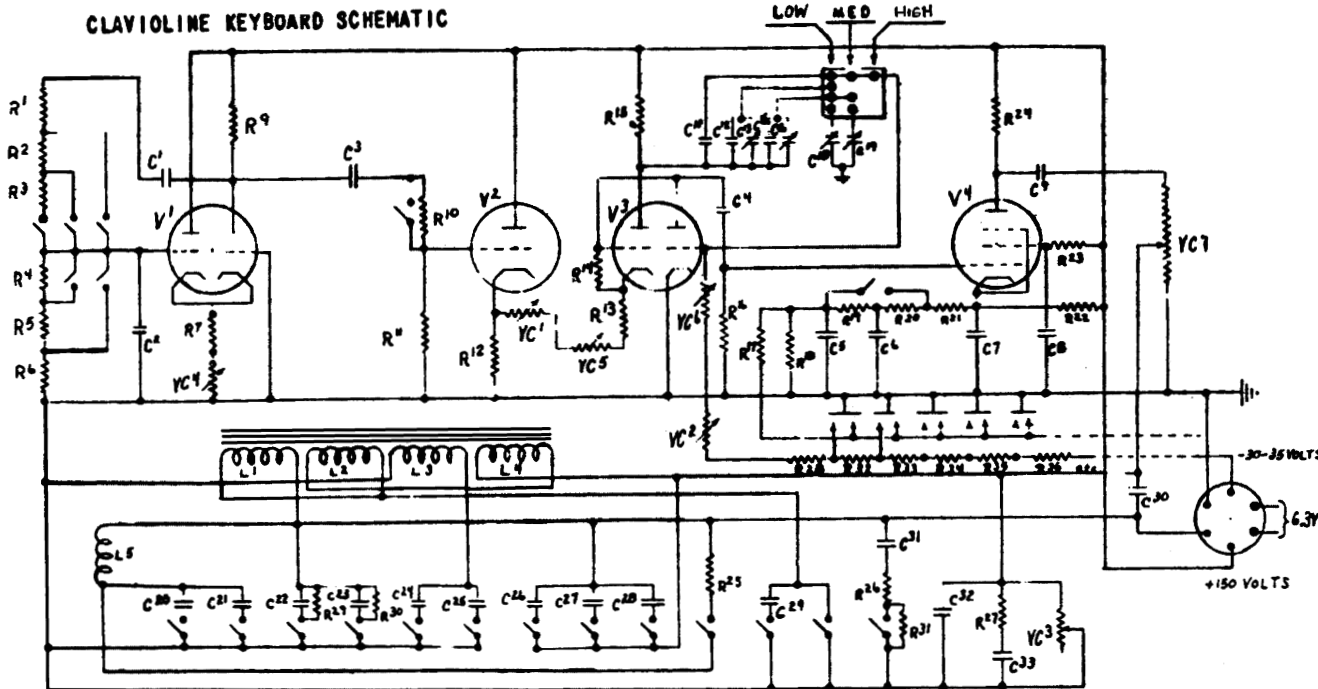
Clavioline Licensed under  
Constant Martin Patent No. 2,563,477

## KEYBOARD RESISTORS .5% TOLERANCE

R32	6,300	R39	9,430	R46	14,148	R53	21,200	R60	31,720
R33	6,670	R40	10,000	R47	14,980	R54	22,456	R61	33,316
R34	7,074	R41	10,600	R48	15,860	R55	23,776	R62	35,600
R35	7,490	R42	11,228	R49	16,808	R56	25,200	R63	37,720
R36	7,930	R43	11,888	R50	17,800	R57	26,680	R64	40,000
R37	8,404	R44	12,600	R51	18,860	R58	28,296	R65	42,400
R38	8,900	R45	13,340	R52	20,000	R59	29,960	R66	44,912

VALUES ARE IN OHMS.

### CLAVIOLINE KEYBOARD SCHEMATIC

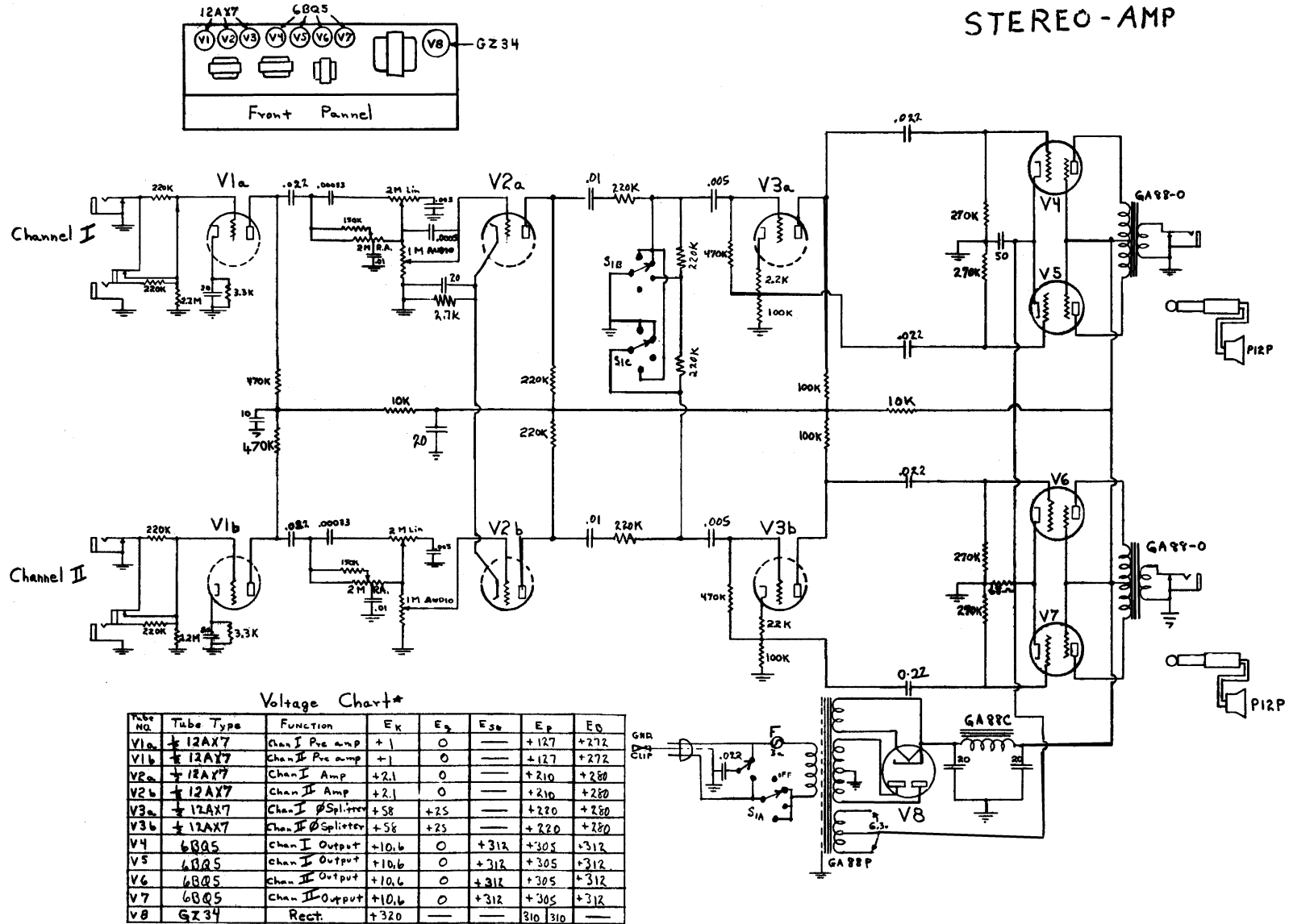


C1	.03 MFD.
C2	.03 MFD.
C3	.25 MFD.
C4	.75 MMF.
C5	.1 MFD.
C6	.1 MFD.
C7	.25 MFD.
C8	.05 MFD.
C9	.02 MFD.
C10	2300 MMF.
C11	4400 MMF.
C12	300 MMF.
C13	2100 MMF.
C14	300 MMF.
C15	750 MMF.
C16	250 MMF.
C17	.02 MFD.
C18	.005 MFD.
C19	.005 MFD.
C20	.015 MFD.
C21	.01 MFD.
C22	.05 MFD.
C23	200 MMF.
C24	.005 MFD.
C25	.015 MFD.
C26	.02 MFD.
C27	100 MMF.
C28	1 MFD.
C29	.001 MFD.
C30	.05 MFD.
C31	6SN7GT
C32	6J5
C33	6SN7GT
C34	6J7

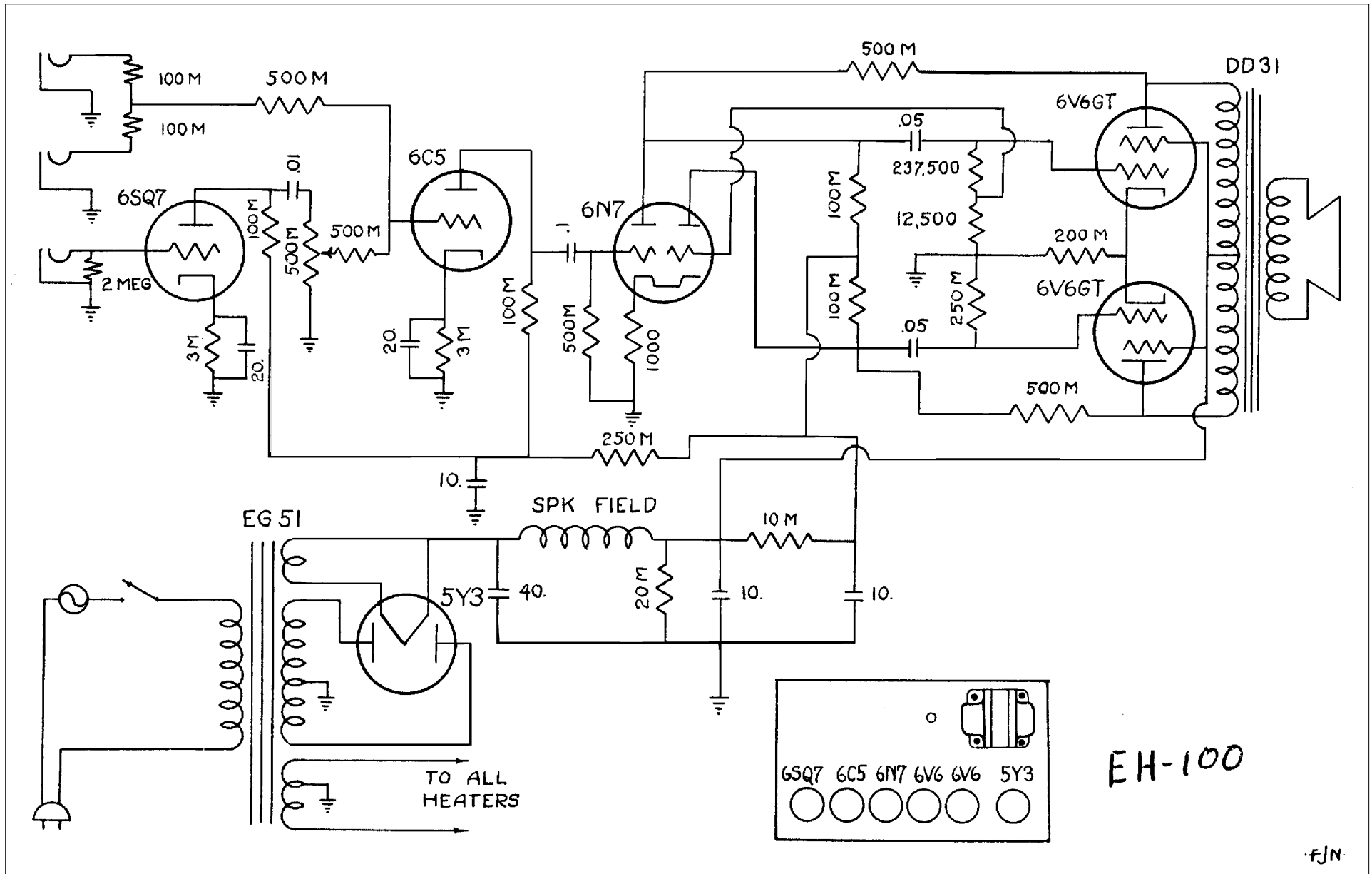
R1	750K
R2	120K
R3	200K
R4	200K
R5	200K
R6	120K
R7	750K
R8	5.1K
R9	
R10	22K
R11	1.5 Megohm
R12	510K
R13	3.9K
R14	25K
R15	8.5K
R16	20K
R17	2.2 Megohm
R18	1K
R19	510K
R20	51K
R21	2.4K
R22	5.1K
R23	510K
R24	1. Megohm
R25	56K
R26	10K
R27	5.1K
R28	20K
R29	60-62K
R30	240K
R31	120K
R32	3 Megohm
L1-4	Tone Choke
L5	" "
VC1	10K Pot. W.W.
VC2	10K
VC3	Special
VC4	5K Pot.
VC5	5K Pot. W.W.
VC6	10K
VC7	250K Pot.

# CLAVIOLINE STEREO AMP

# Gibson

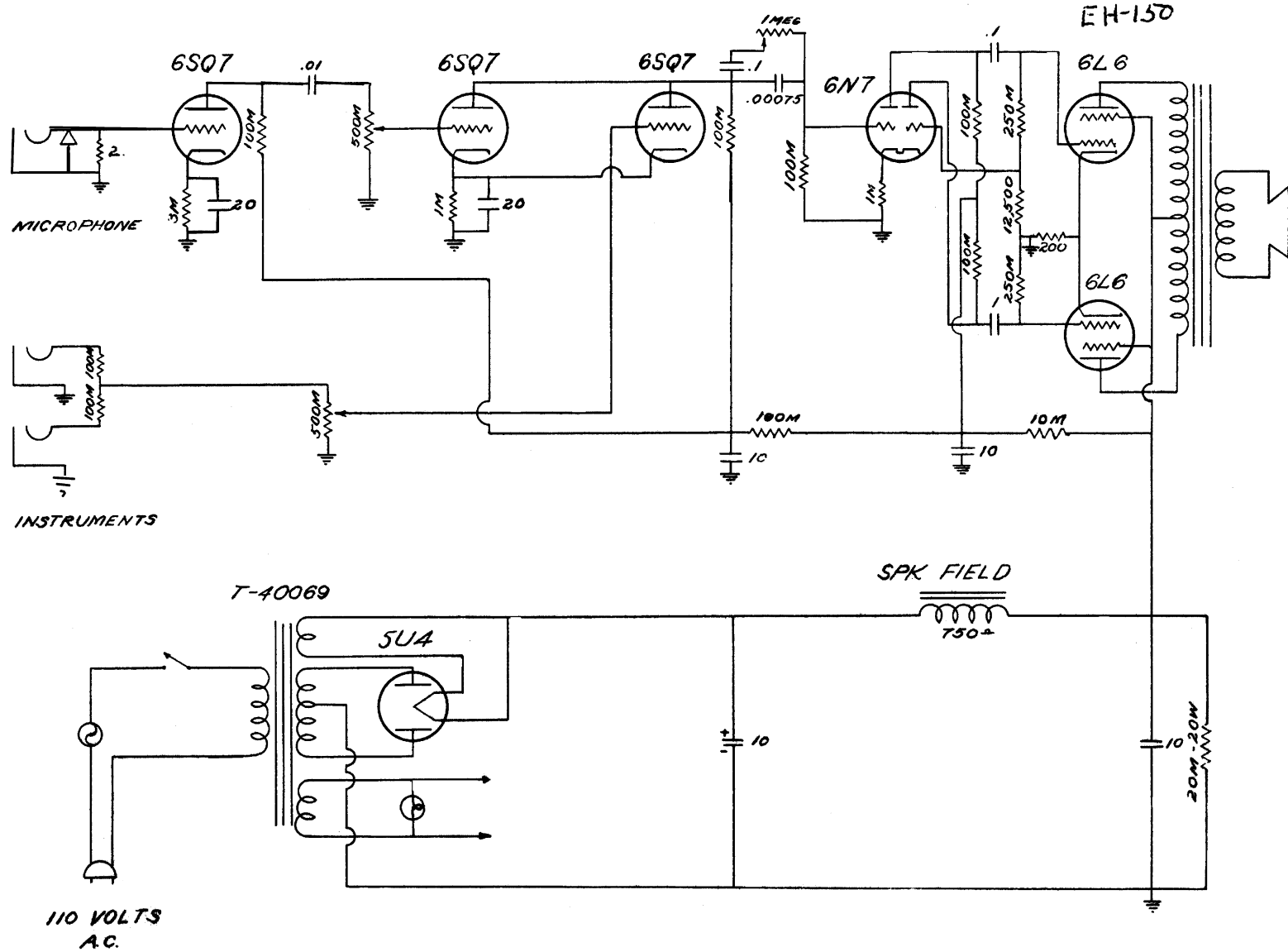








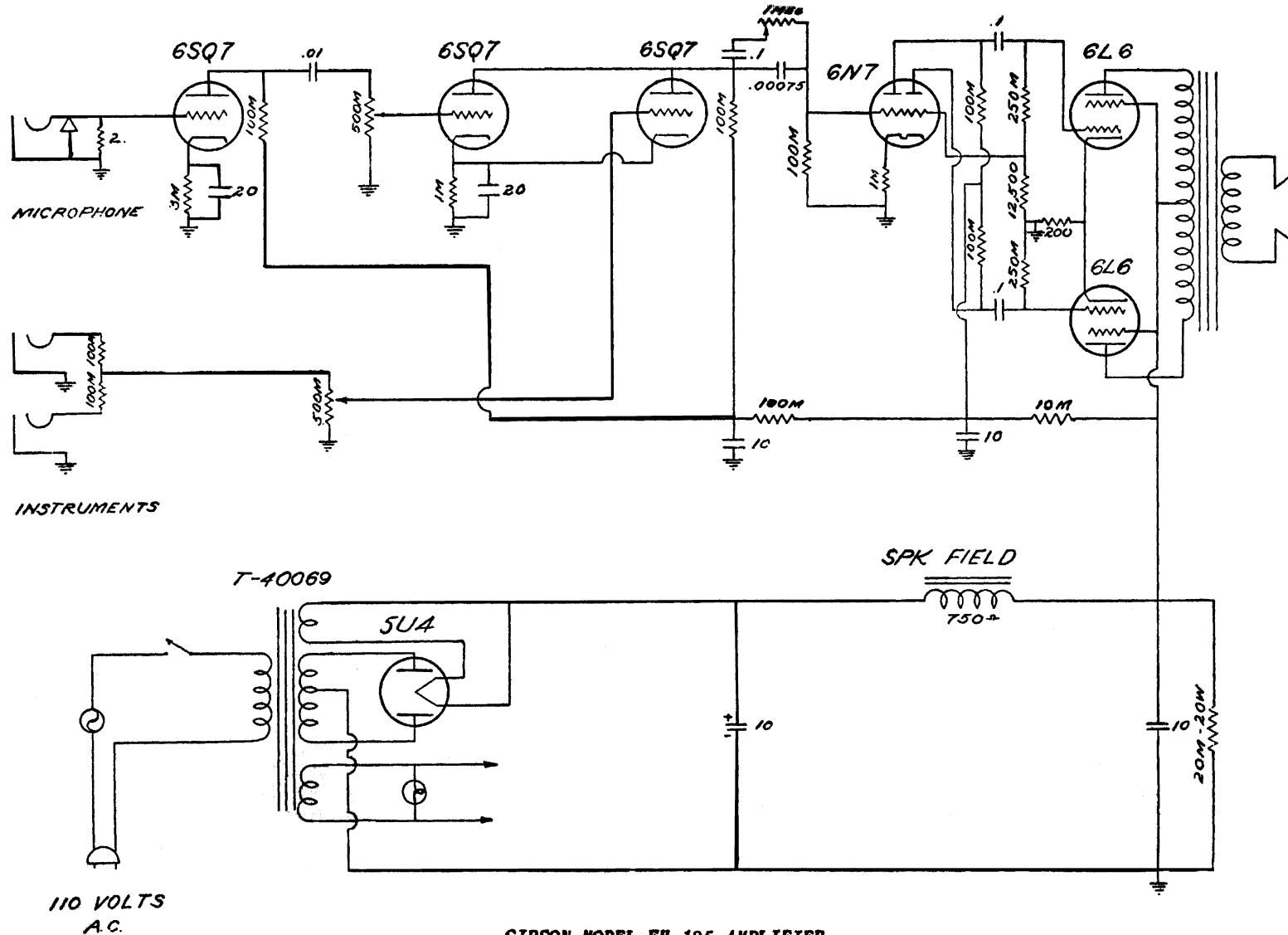












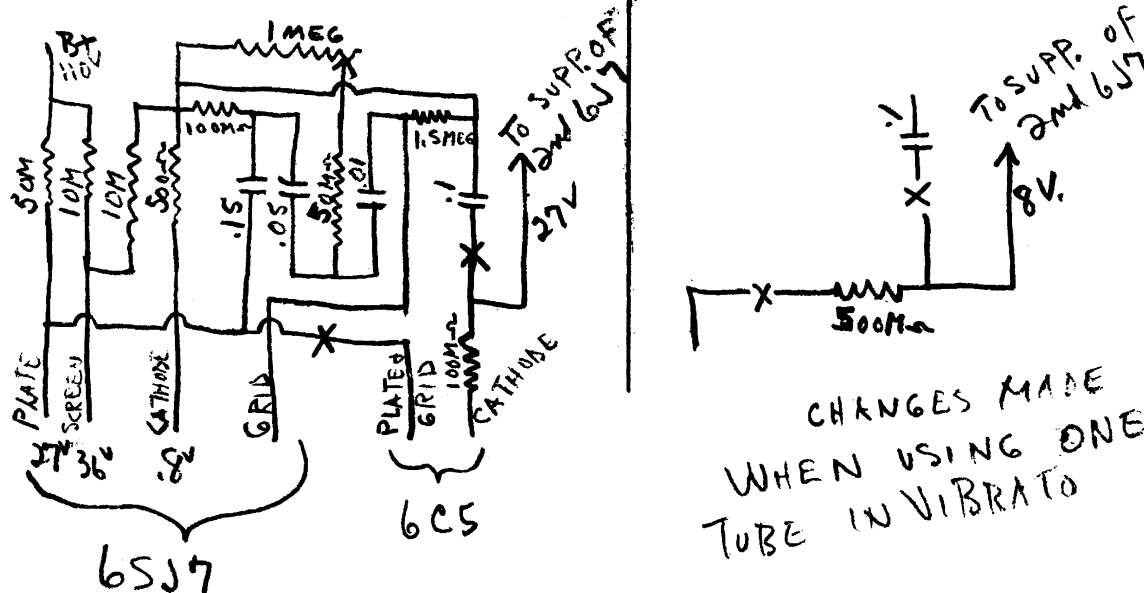
GIBSON MODEL EH-185 AMPLIFIER



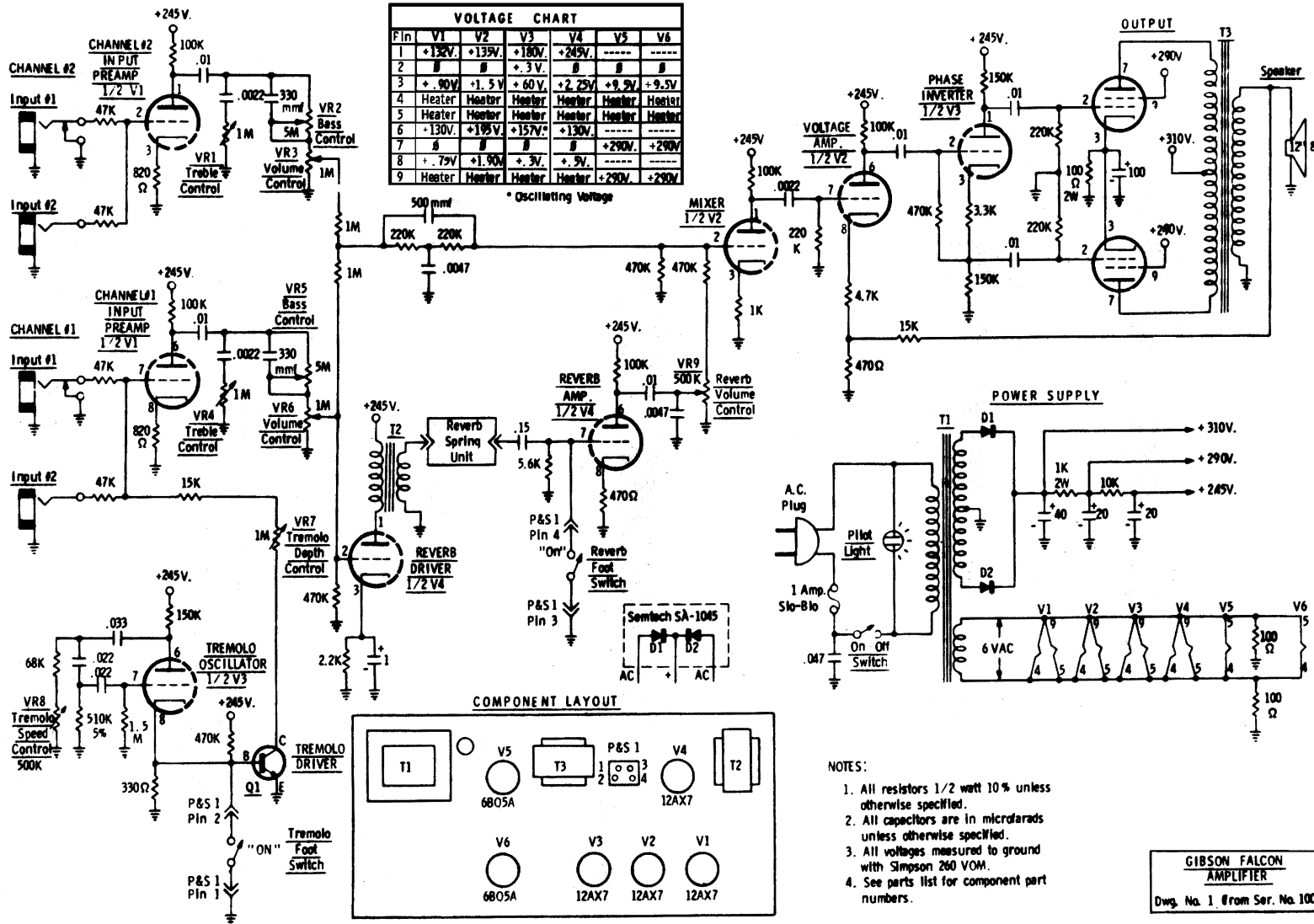
# GIBSON

## A.C. - D.C. AMPLIFIER EH 195

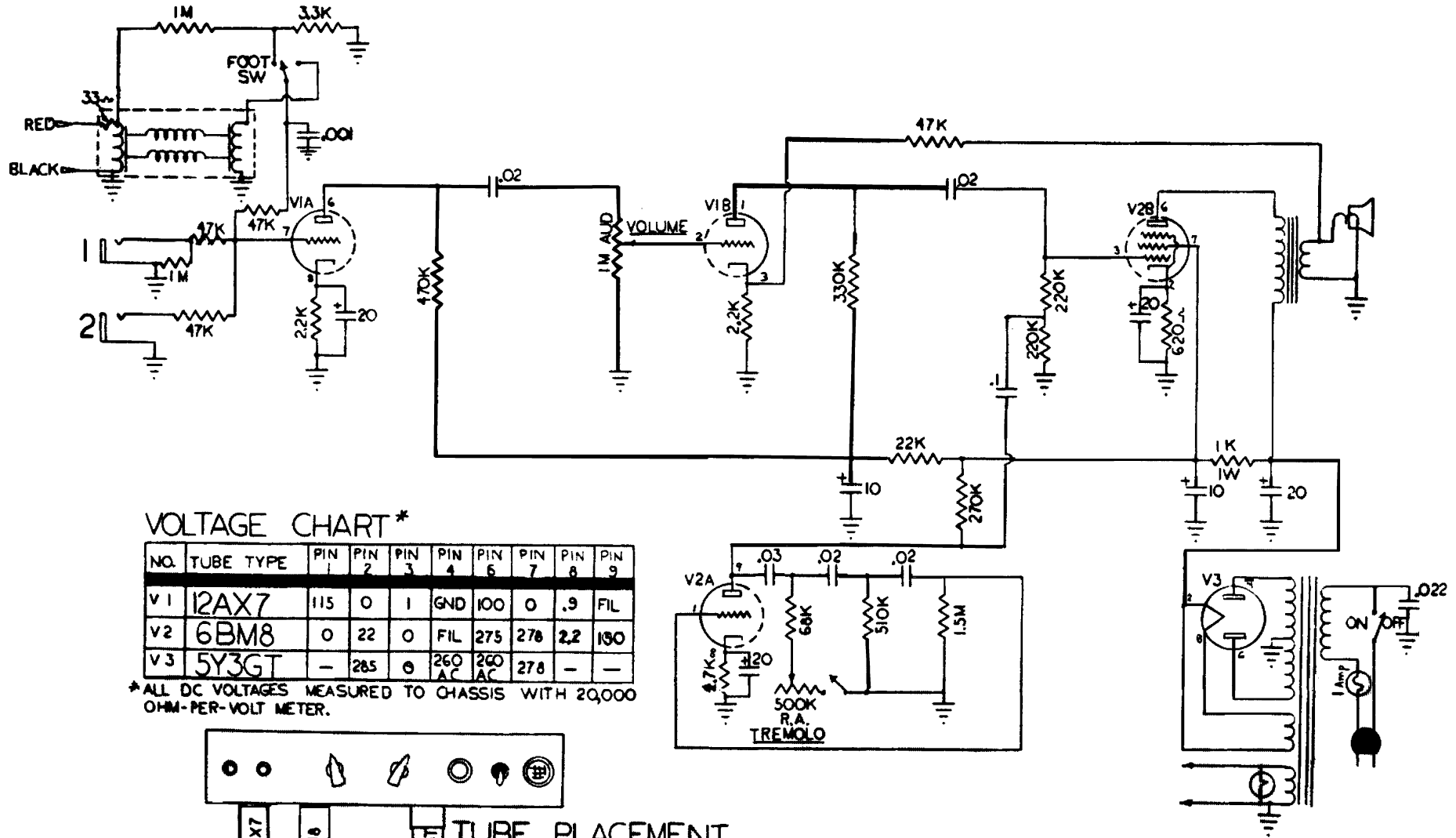
### INSTRUCTIONS



**GIBSON INC., KALAMAZOO, MICH.**



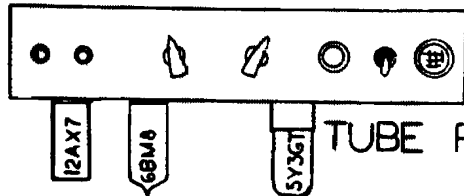




VOLTAGE CHART \*

NO.	TUBE TYPE	PIN 1	PIN 2	PIN 3	PIN 4	PIN 5	PIN 6	PIN 7	PIN 8	PIN 9
V1	12AX7	115	0	1	GND	100	0	.9	FIL	
V2	6BM8	0	22	0	FIL	275	276	2.2	130	
V3	5Y3GT	-	285	0	260 AC	260 AC	278	-	-	

\* ALL DC VOLTAGES MEASURED TO CHASSIS WITH 20,000 OHM-PER-VOLT METER.



TUBE PLACEMENT



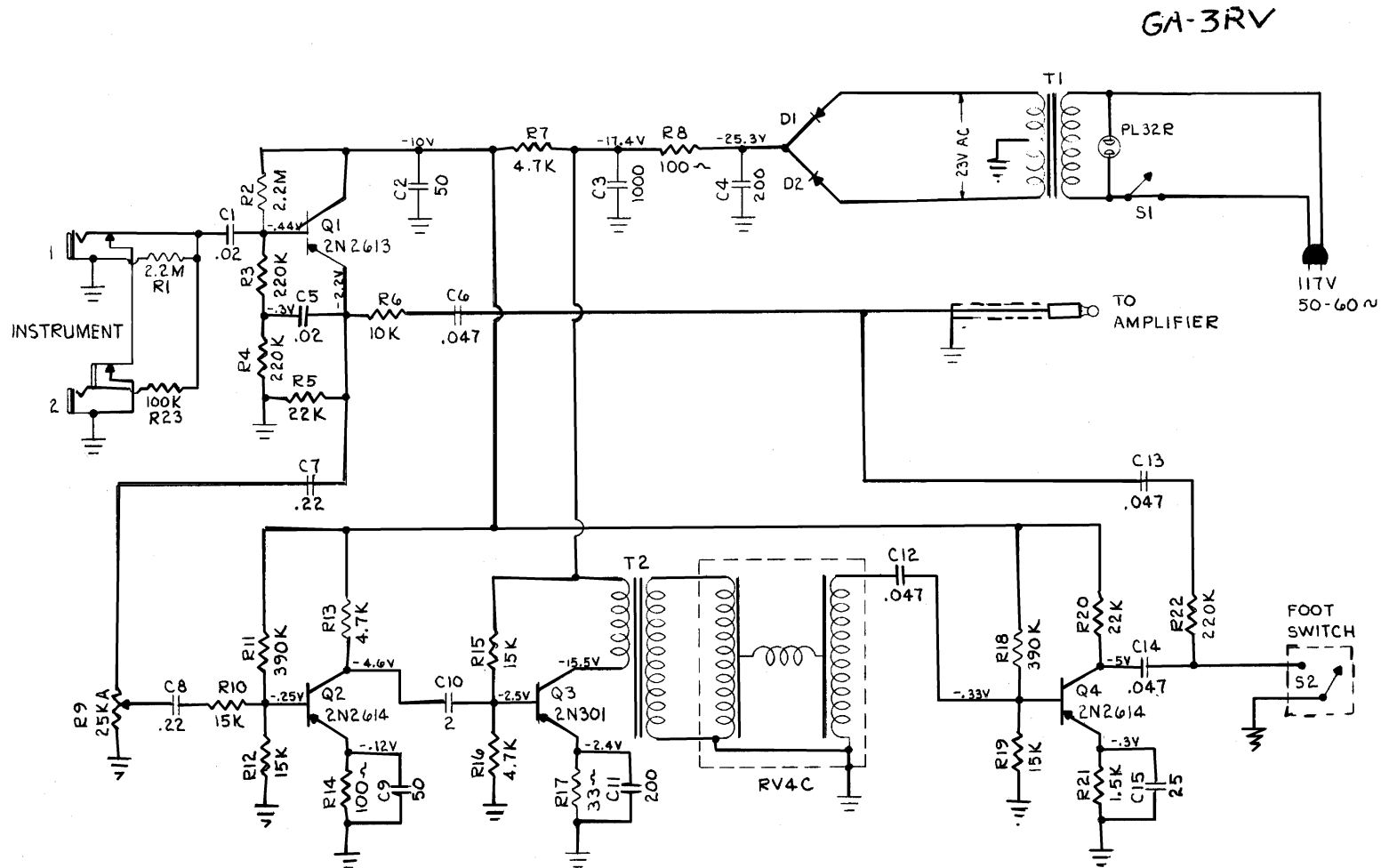






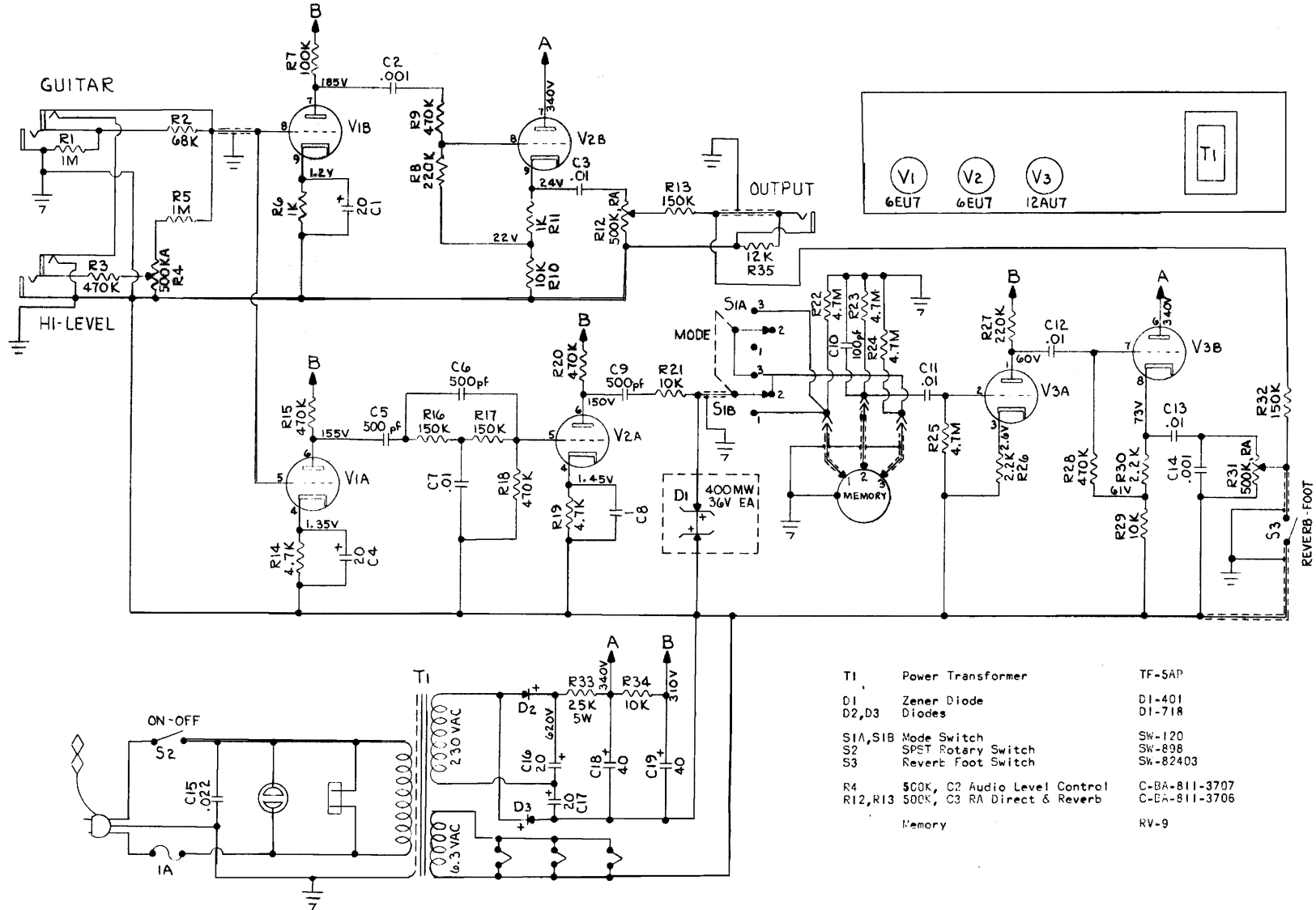
# GA-3RV REVERB UNIT

# Gibson

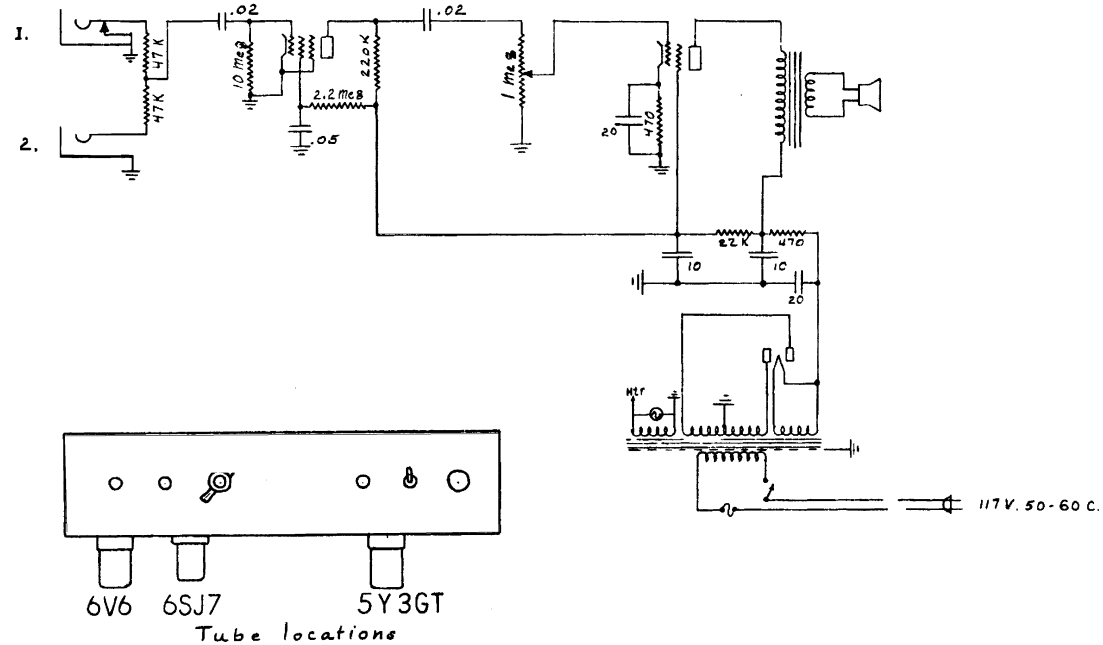


- |        |                            |               |
|--------|----------------------------|---------------|
| T1     | Power Transformer          | TF-101P       |
| T2     | Reverb. Transformer        | TF-1000R      |
| D1, D2 | Diodes, 200 PIV, 150 MA    | DI-69A        |
| R9     | 25K, Audio taper $\pm$ 30% | GBA-811-371.2 |
| S1     | Switch, SPST Rotary        | SW-898-1      |

GA-4RE



- |          |                              |               |
|----------|------------------------------|---------------|
| T1       | Power Transformer            | TF-5AP        |
| D1       | Zener Diode                  | DI-401        |
| D2, D3   | Diodes                       | DI-718        |
| S1A, S1B | Mode Switch                  | SW-120        |
| S2       | SPST Rotary Switch           | SW-898        |
| S3       | Reverb Foot Switch           | SW-82403      |
| R4       | 500K, C2 Audio Level Control | C-BA-811-3707 |
| R12, R13 | 500K, C3 RA Direct & Reverb  | C-BA-811-3706 |
|          | Memory                       | RV-9          |



Les Paul

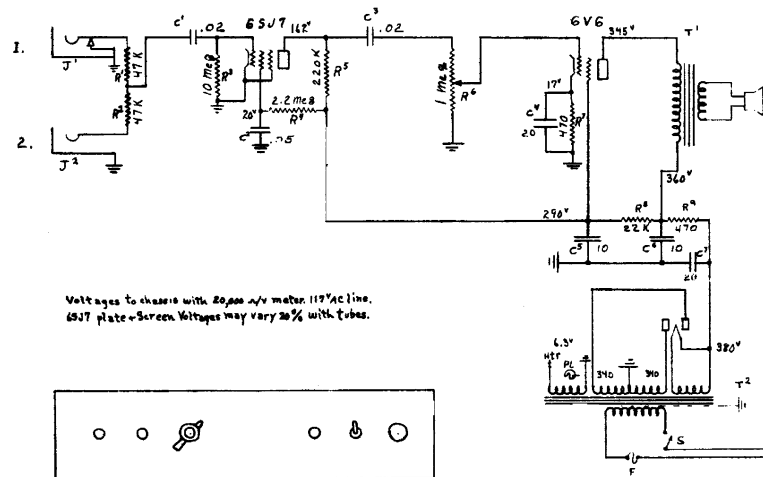
When only one instrument is used plug into #1 input jack.

This amplifier designed for 105-125 volt, 50-60 cycle current. Damage will result if connected to improper power source.

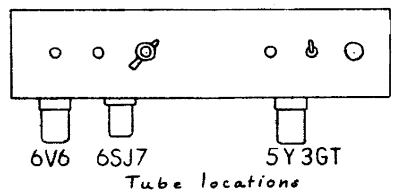
Use the above schematic to facilitate service by a reliable radio man.

Do not use higher rating fuse than one ampere, type 3 A.G.

This amplifier was carefully checked and in good playing condition when shipped. If damaged when received call transportation company immediately and place claim.



Voltages to check with 20,000 ohm meter 117V AC line.  
6SJ7 plate + Screen Voltages may vary 20% with tubes.



PARTS-LIST

- R<sup>1</sup>, R<sup>7</sup> 47000Ω ½ watt
- R<sup>4</sup> 10-megohm ½ watt
- R<sup>5</sup> 2.2 megohm ½ watt
- R<sup>2</sup> 22,000Ω ½ watt
- R<sup>6</sup> 1 megohm pot. (Volume)
- R<sup>3</sup>, R<sup>8</sup> 470Ω 2 watt
- R<sup>8</sup> 22,000Ω 2 watt
- C<sup>1</sup>, C<sup>3</sup> .02-mfd 400vrt
- C<sup>2</sup> .05-mfd 400vrt
- C<sup>4</sup> 20-mfd 25 WV
- C<sup>5</sup>, C<sup>6</sup> 10-mfd 450 WV } in dupli
- C<sup>7</sup> 20-mfd 450 WV } cat
- T<sup>1</sup> Output Trans. (580V)
- T<sup>2</sup> Power Trans. (GA-5B)
- S SPS-1 Toggle Sw (on-off)
- F 1 amp (SAG) Fuse
- PL No. 47 Plug Lt.
- J<sup>1</sup> Phone Jack (normally shorted)
- J<sup>2</sup> Phone Jack

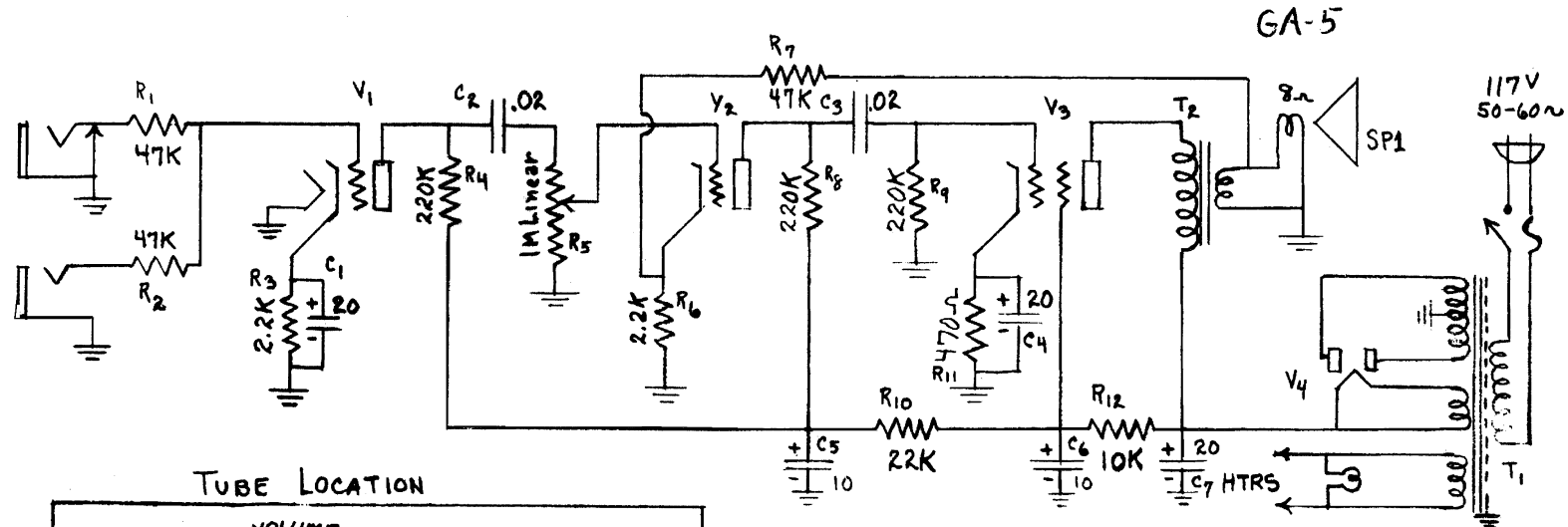
When only one instrument is used plug into #1 input jack.

This amplifier designed for 105-125 volt, 50-60 cycle current.  
Damage will result if connected to improper power source.

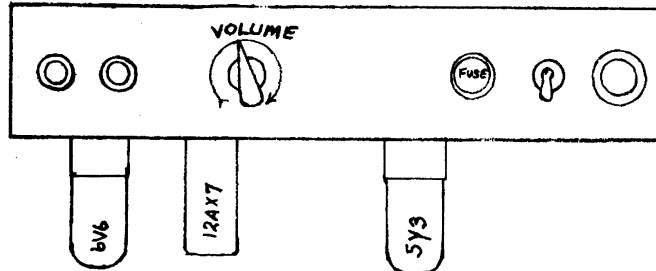
Use the above schematic to facilitate service by a reliable radio man.

Do not use higher rating fuse than one ampere, type 3 A.G.

This amplifier was carefully checked and in good playing condition when shipped. If damaged when received call transportation company immediately and place claim.



TUBE LOCATION



DC VOLTAGES TO CHASSIS USING VTVM (11 MEG INPUT)				
TUBE	USE	PLATE	SCREEN	CATHODE
V1	12AX7 VOLTAGE AMPLIFIER	165	—	1.5
V2	" " "	165	—	1.5
V3	6V3 POWER "	375	350	20
V4	5Y3 RECTIFIER	300 <sup>V</sup> AC	—	380

PARTS LIST

R<sub>1</sub> R<sub>2</sub> R<sub>7</sub> 47K ½w, R<sub>3</sub> R<sub>6</sub> 2.2K ½w, R<sub>4</sub> R<sub>8</sub> R<sub>9</sub> 220K ½w, R<sub>10</sub> 22K 1w, R<sub>11</sub> 470-Ω 1w, R<sub>12</sub> 10K 1w, R<sub>5</sub> 1MEG LINEAR TAPER

C<sub>1</sub> C<sub>4</sub> 20MFD 25 VOLT, C<sub>2</sub> C<sub>3</sub> .02MFD 400VOLT, C<sub>5</sub> C<sub>6</sub> 10MFD 450VOLT, C<sub>7</sub> 20MFD 450VOLT

T<sub>1</sub> POWER TRANSFORMER #GA5P T<sub>2</sub> OUTPUT TRANSFORMER #GA5-0 SP1 SPEAKER, 8" dia, 8-Ω VC, Type 8J11.

When only one instrument is used plug into #1 input jack.

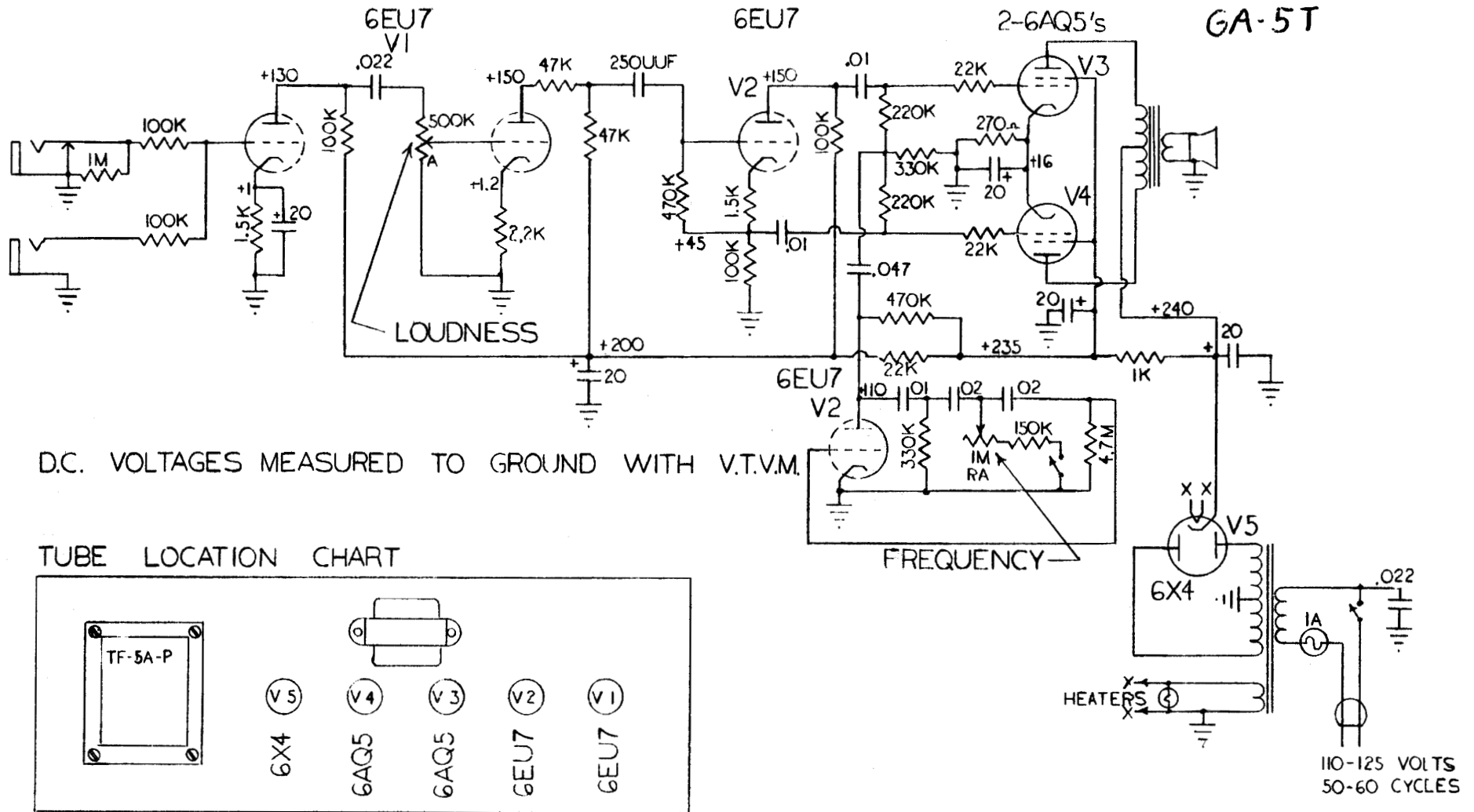
This amplifier designed for 105-125 volt, 50-60 cycle current. Damage will result if connected to improper power source.

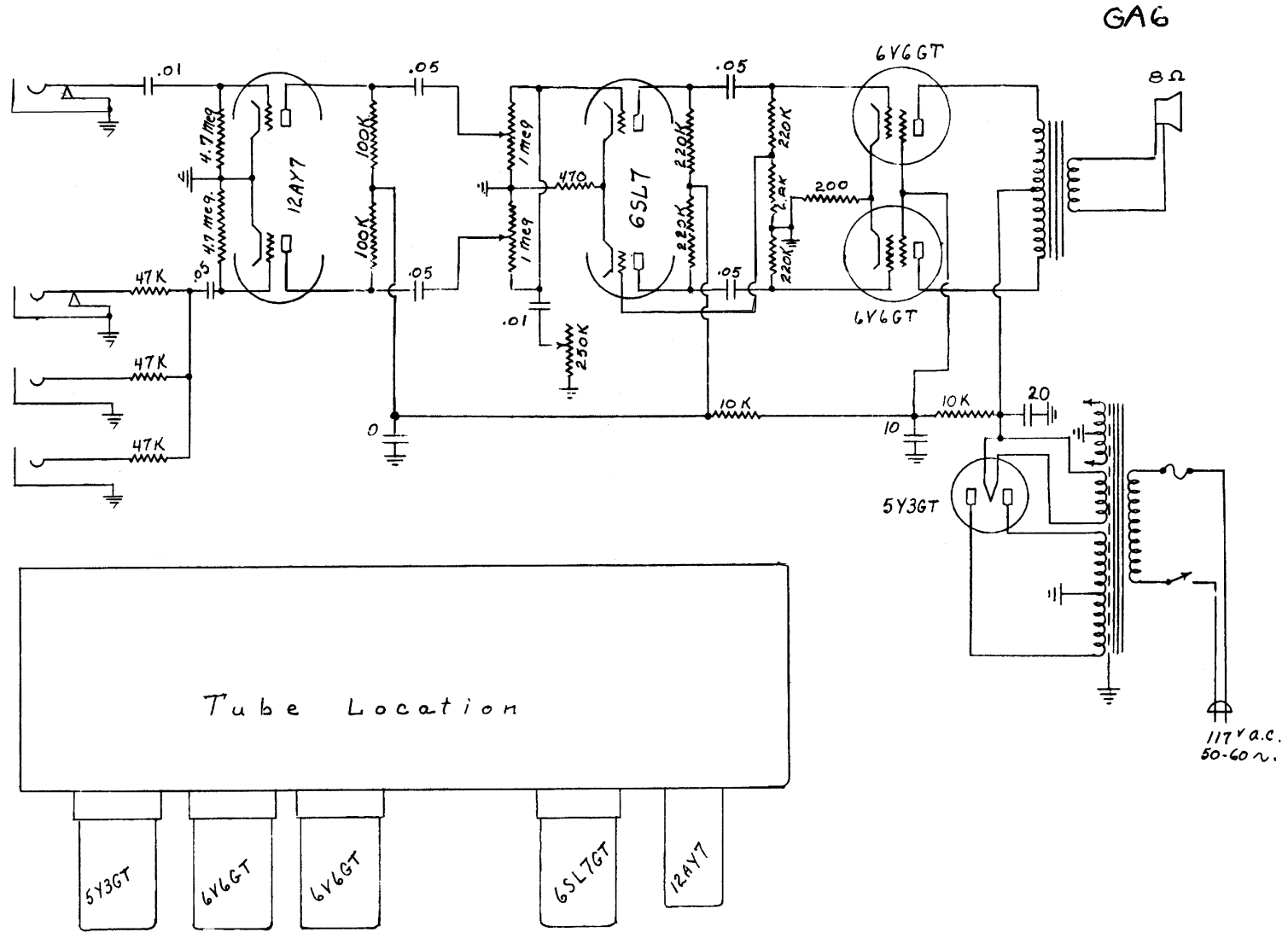
Use the above schematic to facilitate service by a reliable radio man.

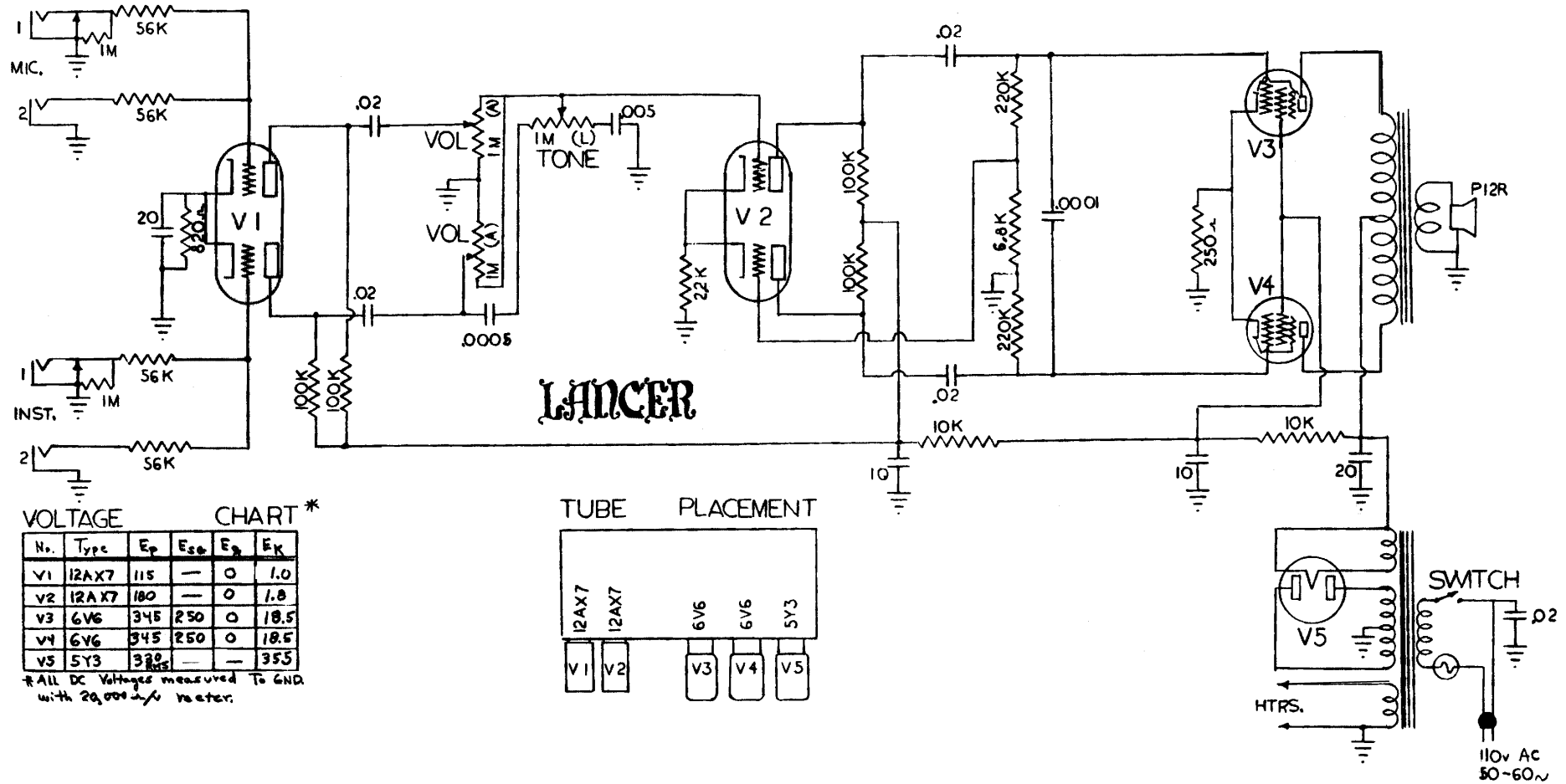
Do not use higher rating fuse than one ampere, type 3 A.G.

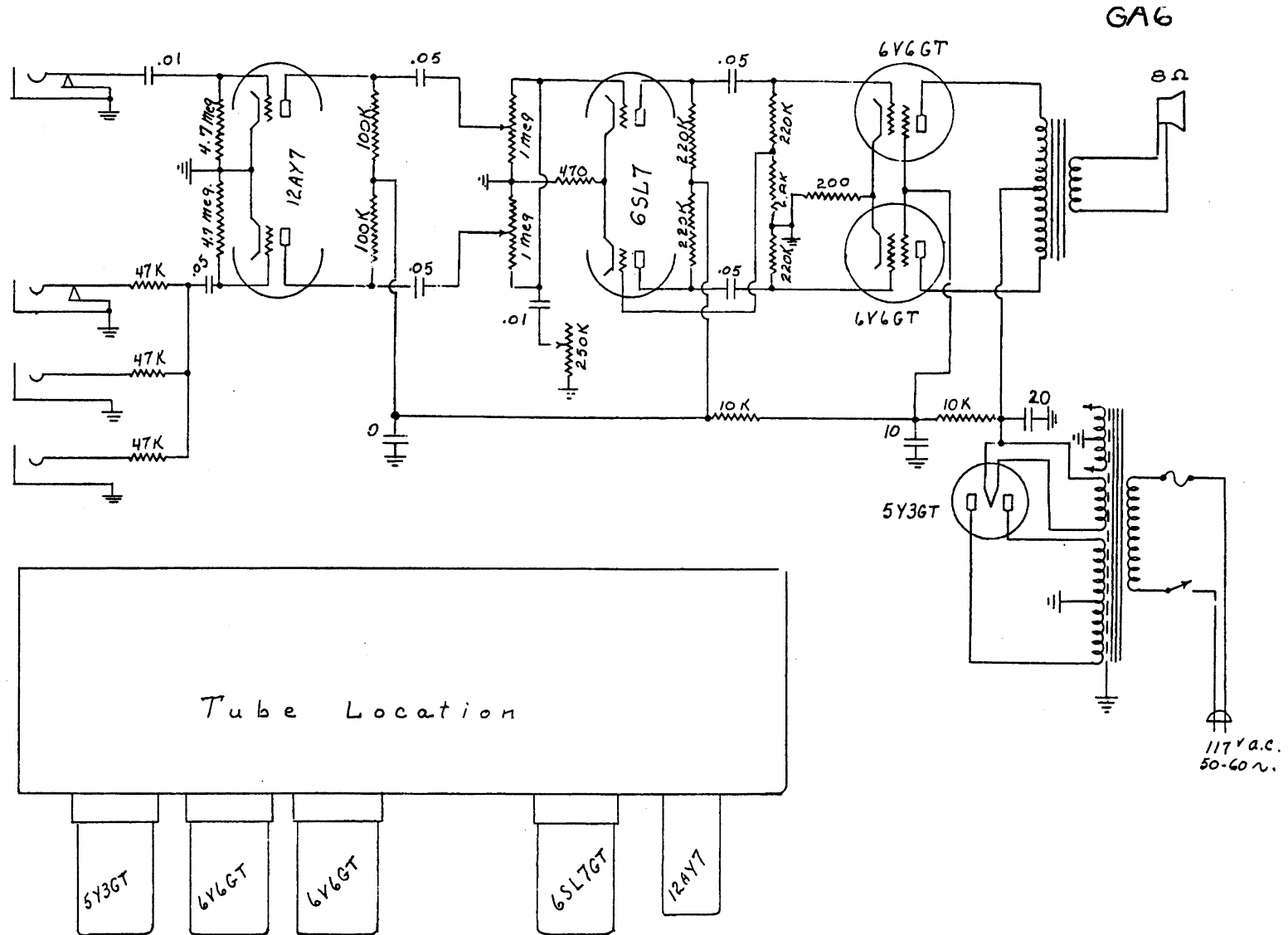
This amplifier was carefully checked and in good playing condition when shipped. If damaged when received call transportation company immediately and place claim.

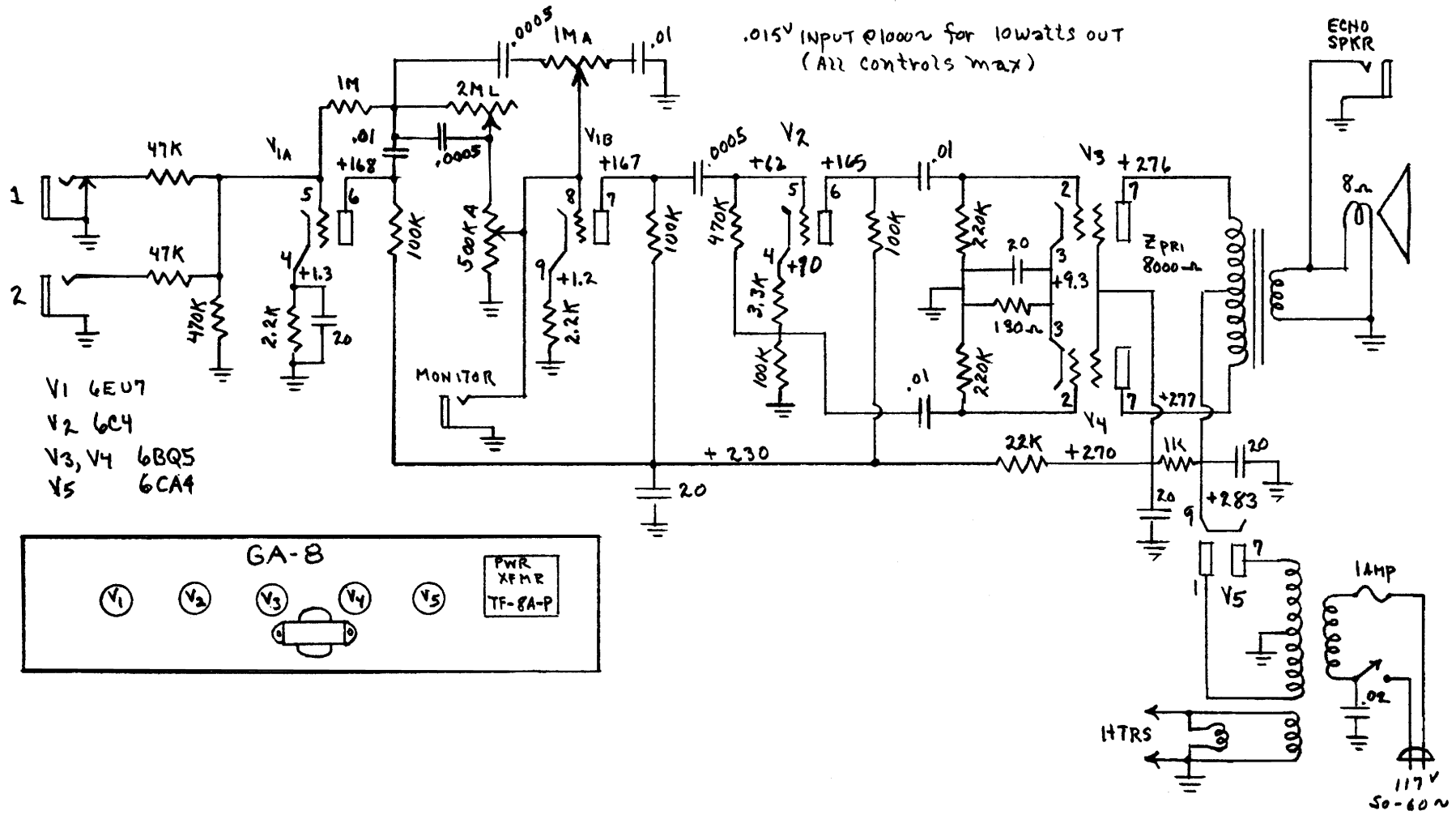


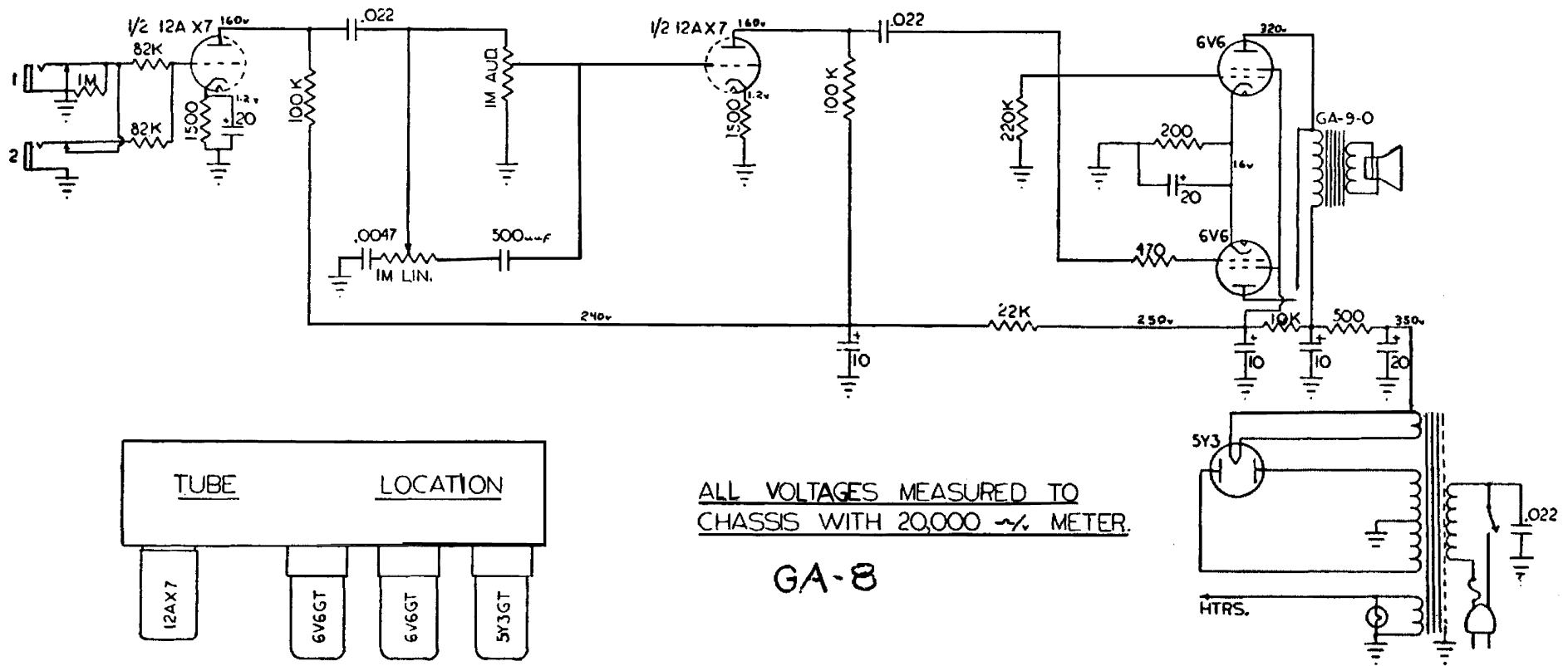


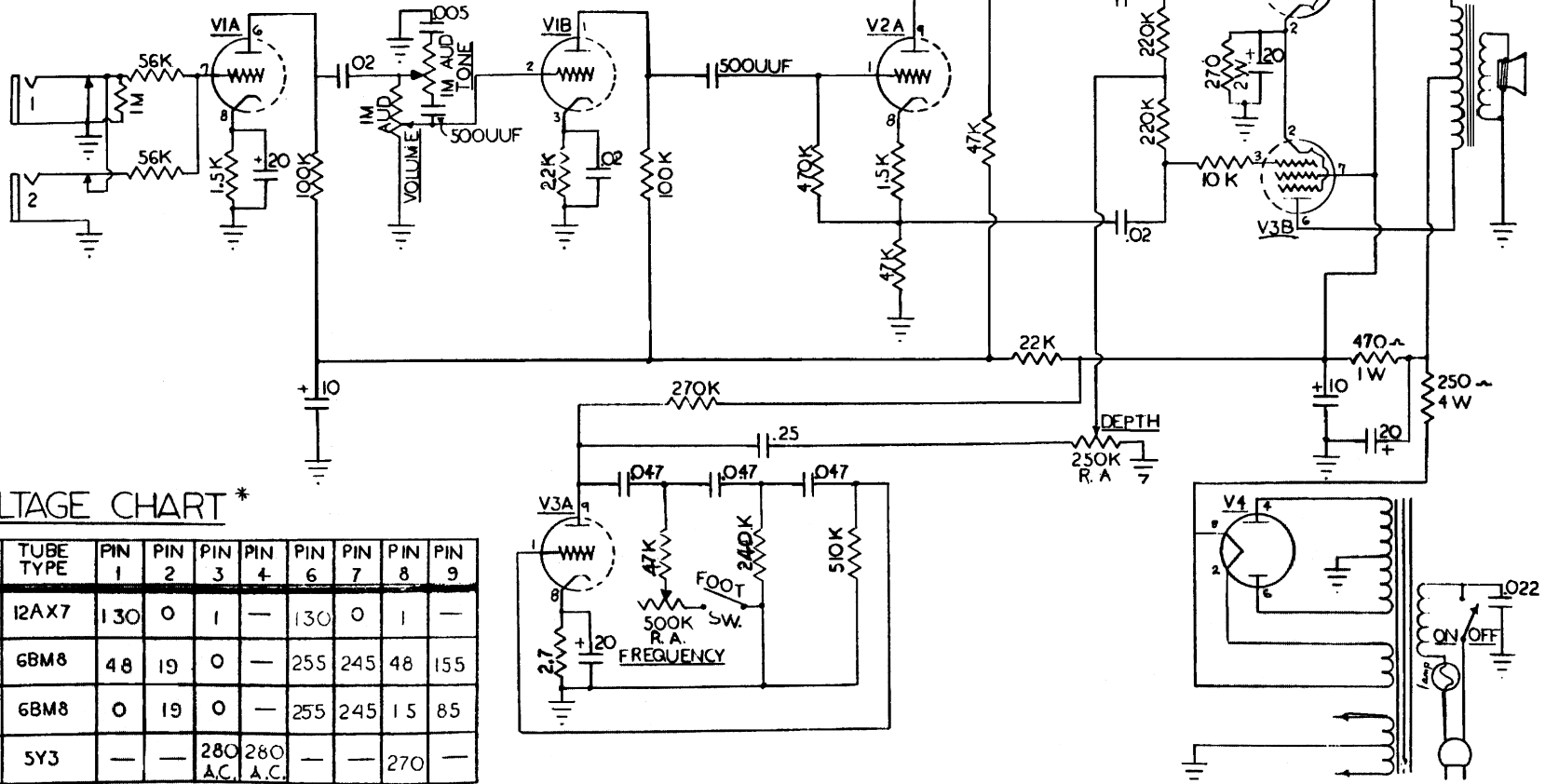
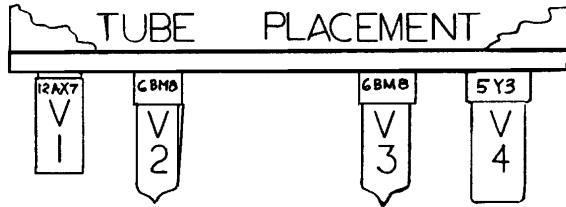












VOLTAGE CHART \*

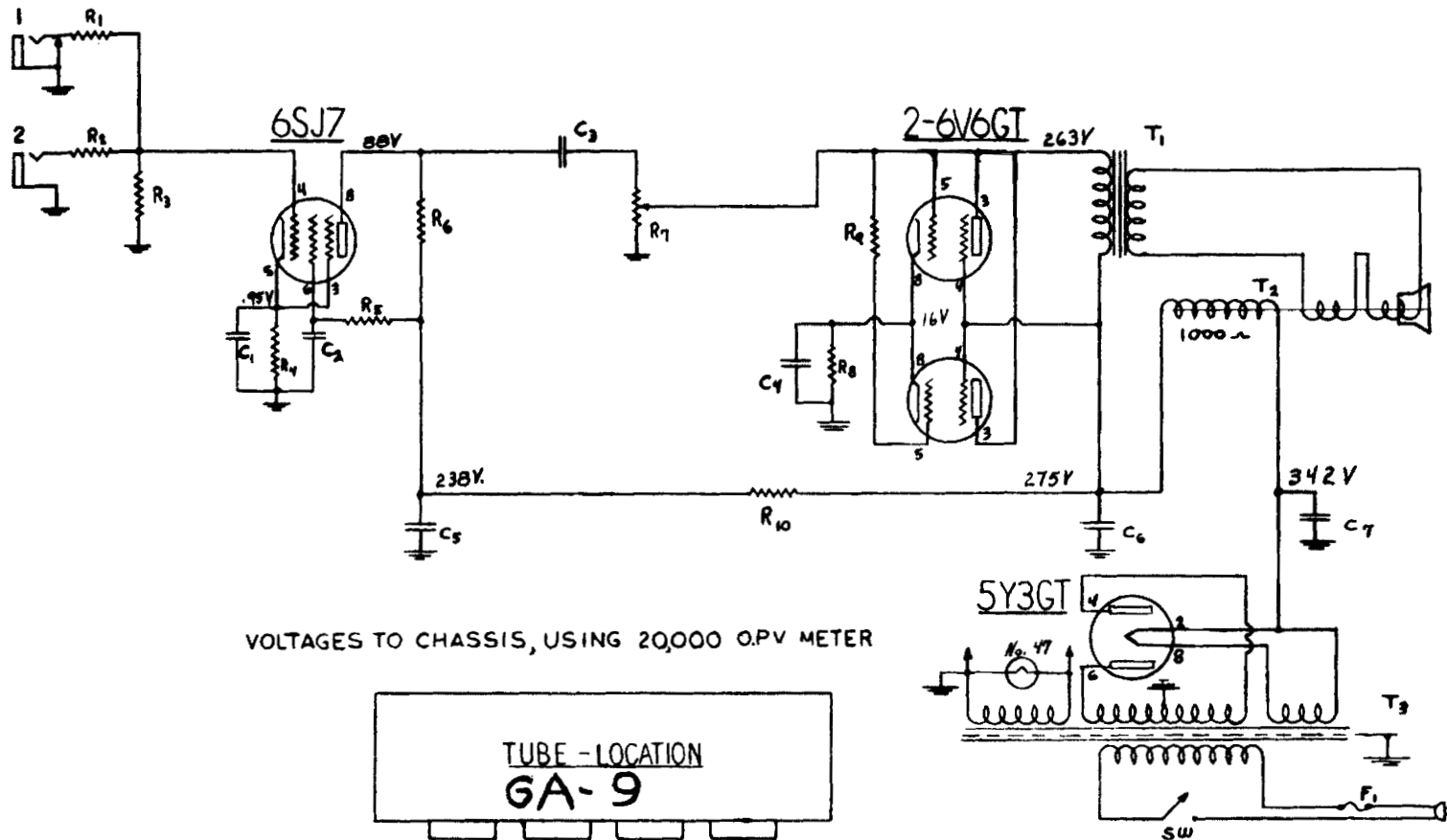
NO.	TUBE TYPE	PIN 1	PIN 2	PIN 3	PIN 4	PIN 6	PIN 7	PIN 8	PIN 9
V 1	12AX7	130	0	1	—	130	0	1	—
V 2	6BM8	48	19	0	—	255	245	48	155
V 3	6BM8	0	19	0	—	255	245	15	85
V 4	5Y3	—	—	280	280	—	—	270	—

\* ALL D.C. VOLTAGES MEASURED TO CHASSIS WITH 20,000 OHM/VOLT METER.

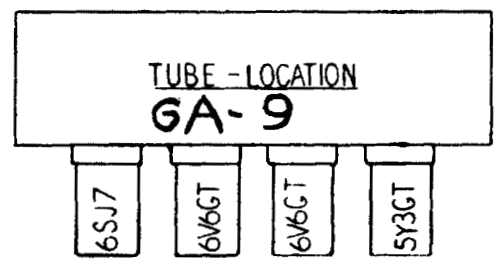
- R<sup>1</sup> 47K 1/2 WATT
- R<sup>2</sup> 47K 1/2 WATT
- R<sup>3</sup> 220K 1/2 WATT
- R<sup>4</sup> 1000 OHMS 1/2 WATT
- R<sup>5</sup> 1 MEGOHM 1/2 WATT
- R<sup>6</sup> 220K 1/2 WATT
- R<sup>7</sup> 500K VOLUME CONTROL

- R<sup>8</sup> 200 OHM 7 WATT
- R<sup>9</sup> 470 OHM 1/2 WATT
- R<sup>10</sup> 47K 1 WATT
- C<sup>1</sup> 20MFD 25 W.V.
- C<sup>2</sup> .05MFD 600 W.V.
- C<sup>3</sup> .05MFD 600 W.V.
- C<sup>4</sup> 20MFD 25 W.V.

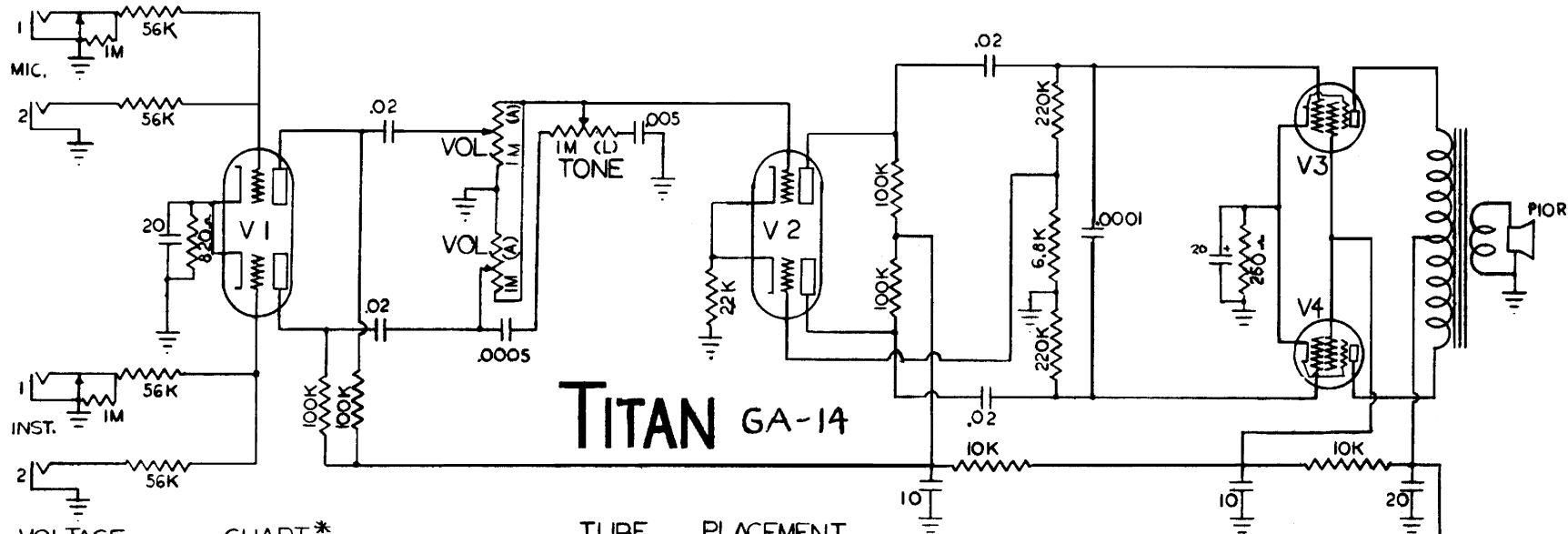
- C<sup>5</sup> 10MFD 450 W.V.
- C<sup>6</sup> 10MFD 450 W.V.
- C<sup>7</sup> 20MFD 450 W.V.
- T<sup>1</sup> OUTPUT TRANSFORMER
- T<sup>2</sup> SPEAKER FIELD
- T<sup>3</sup> POWER TRANSFORMER
- F<sup>1</sup> FUSE 2AMP TYPE JAG



VOLTAGES TO CHASSIS, USING 20,000 Ω.P.V METER







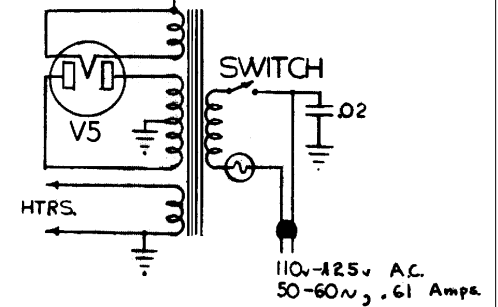
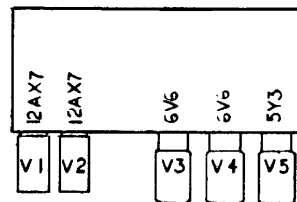
TITAN GA-14

VOLTAGE CHART\*

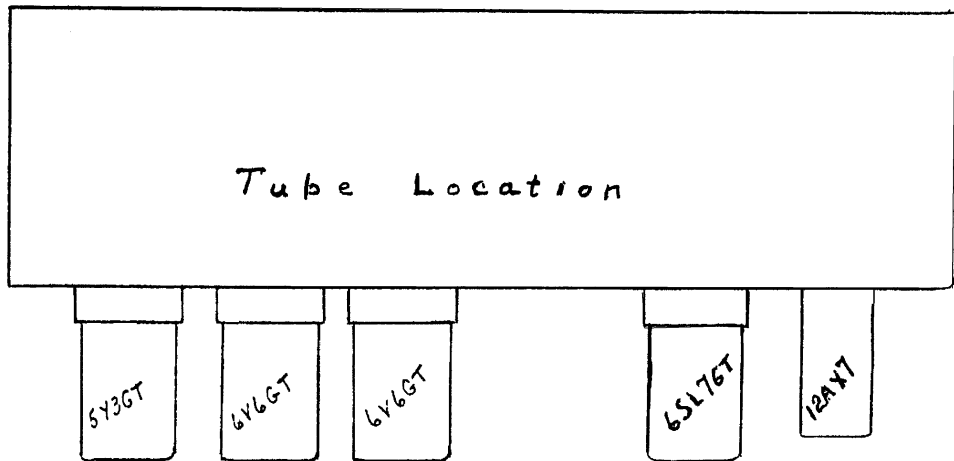
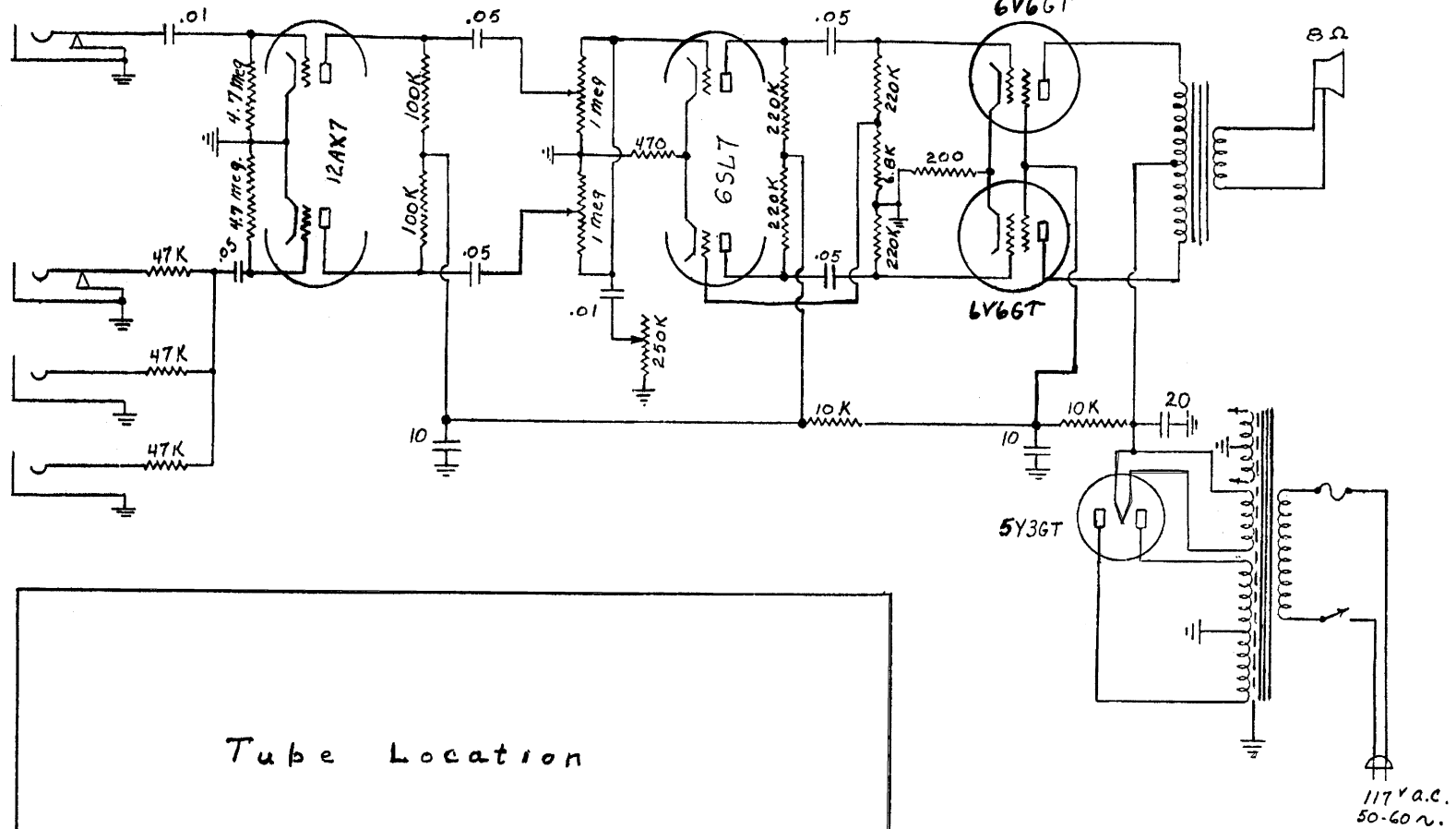
No	Type	$E_p$	$E_{c2}$	$E_{c1}$	$E_k$
V1	12AX7	170	—	0	1.4
V2	12AX7	210	—	0	2.4
V3	6V6	345	285	0	18.5
V4	6V6	345	285	0	18.5
V5	5Y3	332	—	—	35.5

\*All DC Voltages Measured to Chassis with V.T.V.M.

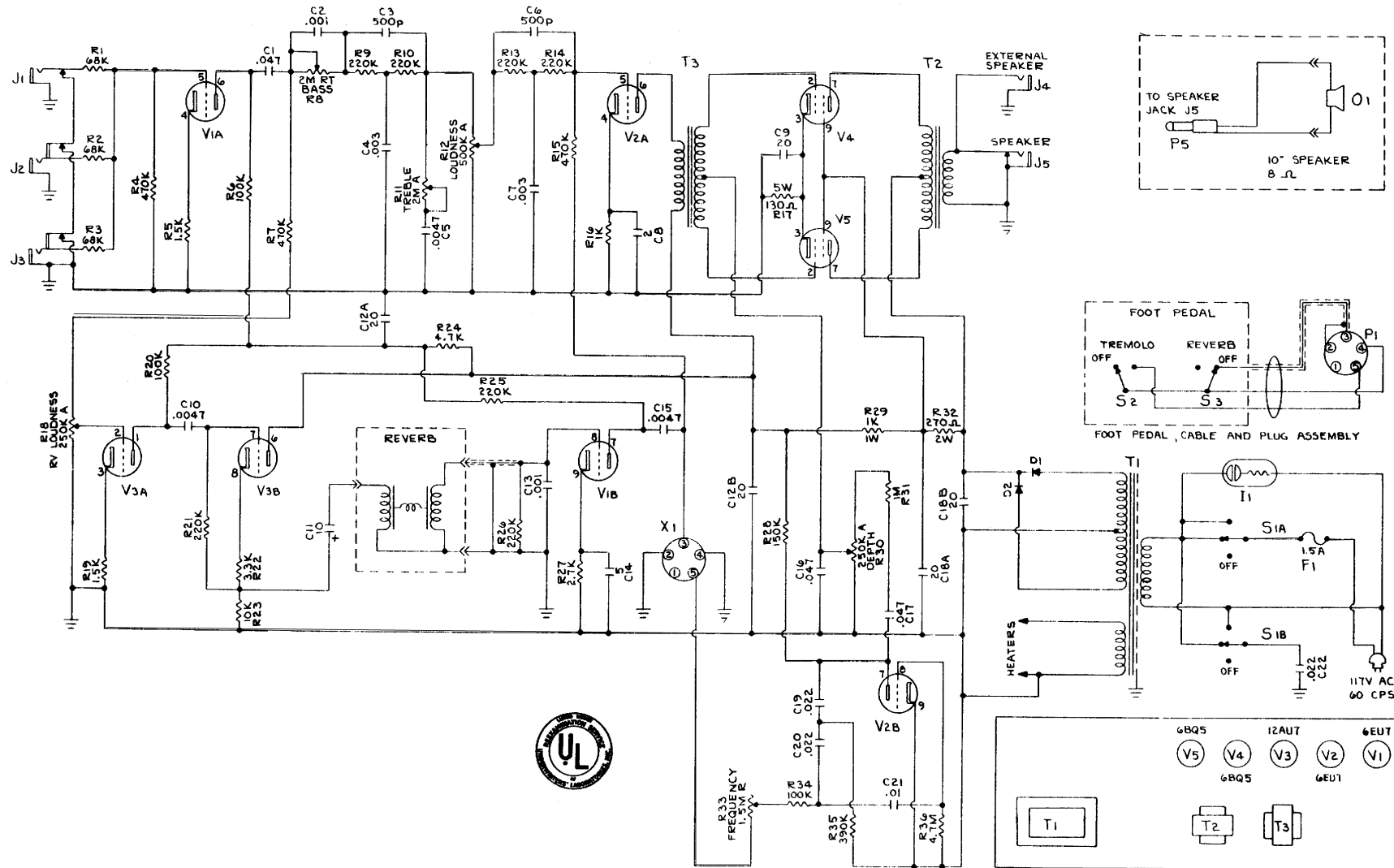
TUBE PLACEMENT



GA-15

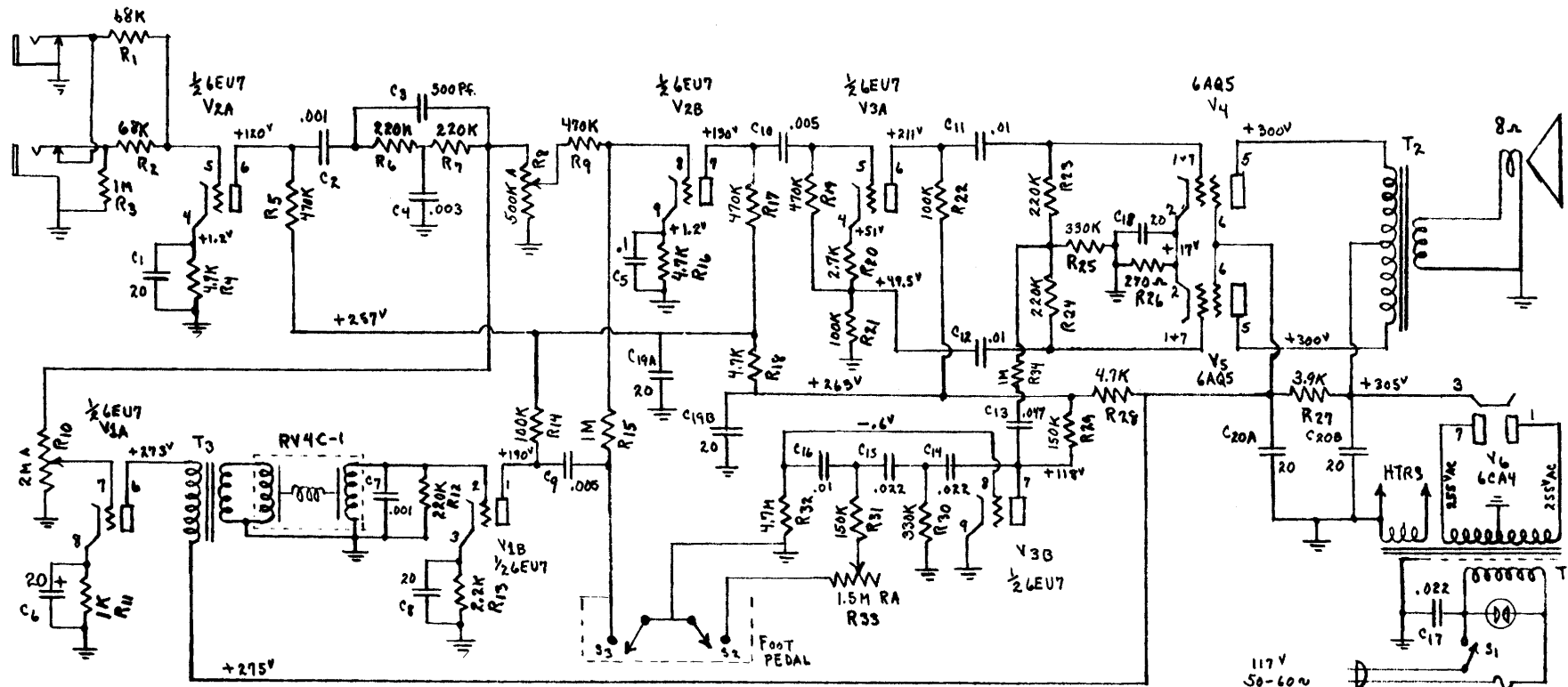


GA-15RVT



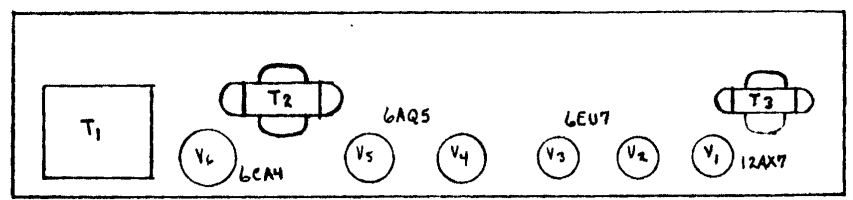


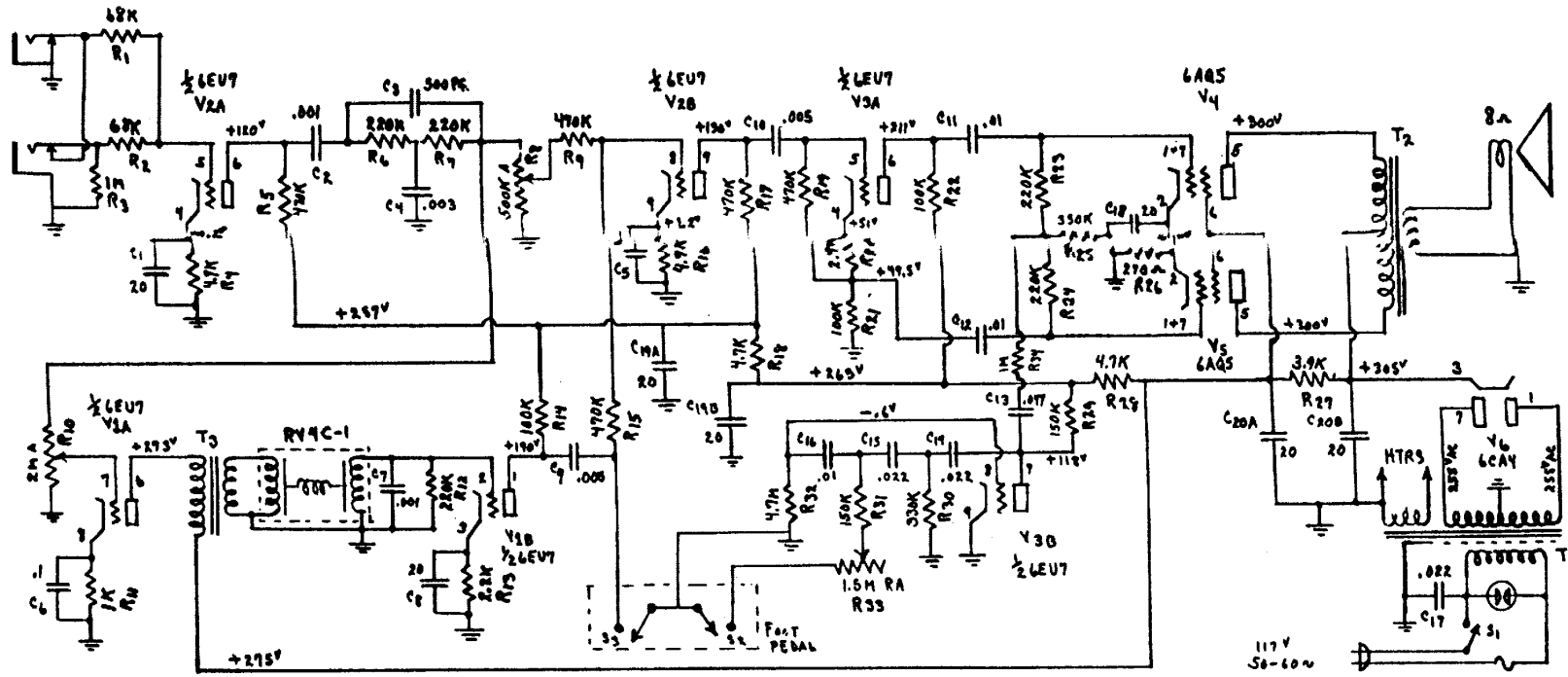
GA17RVT  
SCOUT



- T1 POWER TRANSFORMER TF 8A-P
- T2 OUTPUT " TF 1R-01
- T3 DRIVER " TF E6400
- SPEAKER 8" x 8", 10" S20003
- R8 VOLUME CONTROL 500K AUDIO TAPER
- R10 REVERB VOLUME 2MEG "
- R33 TREMOLO FREQUENCY 1.5M REV. AUDIO
- S2, S3 SPST PUSH PUSH 3M.
- REVERBERATION UNIT RV4C-1

VOLTAGES TO CHASSIS WITH VTVM (1M meg)

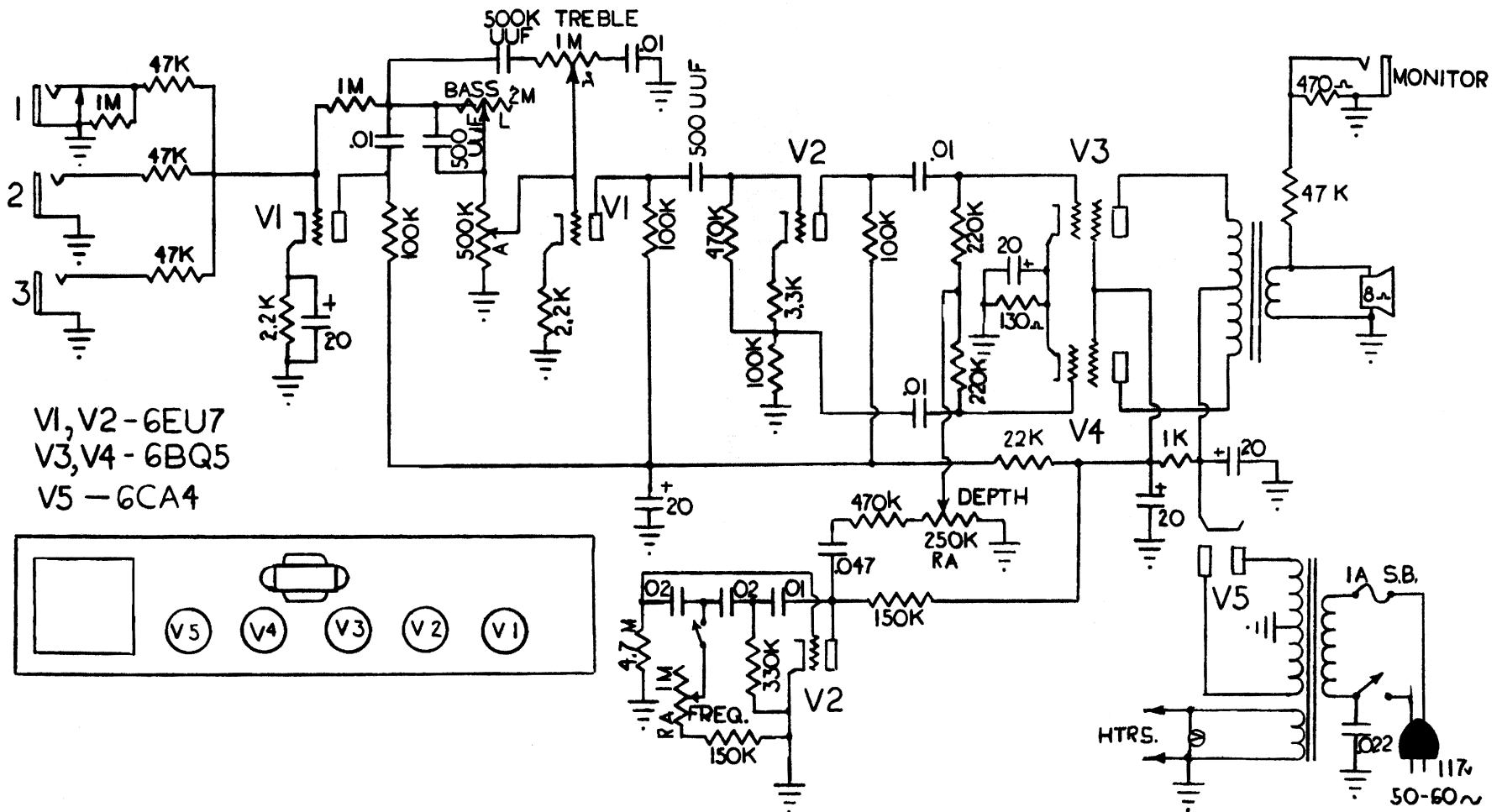




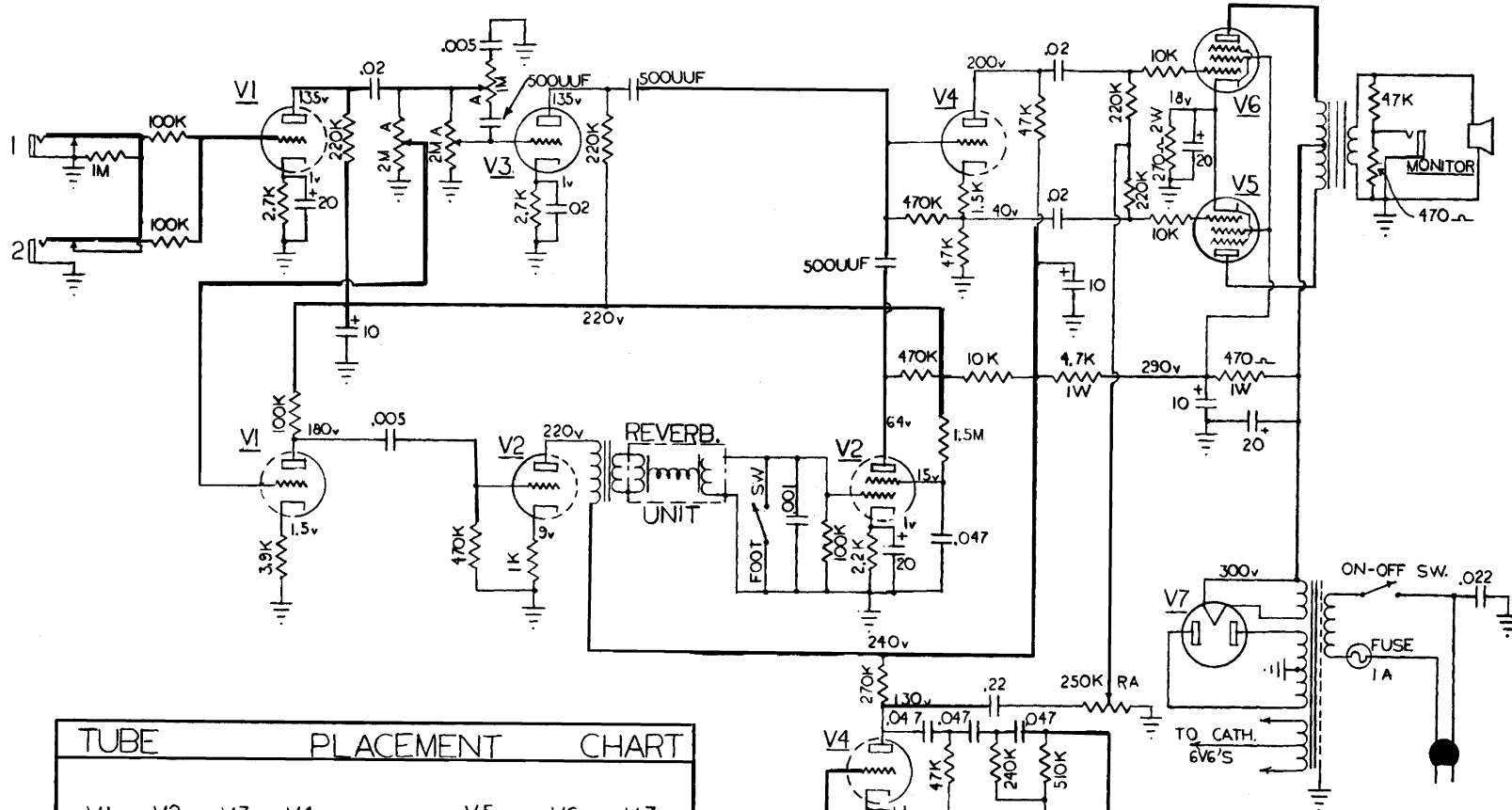
VOLTAGES TO CHASSIS WITH VTVM (11meg)

Gibson Model GA-17RVT

GA-18T



GA-19RVT



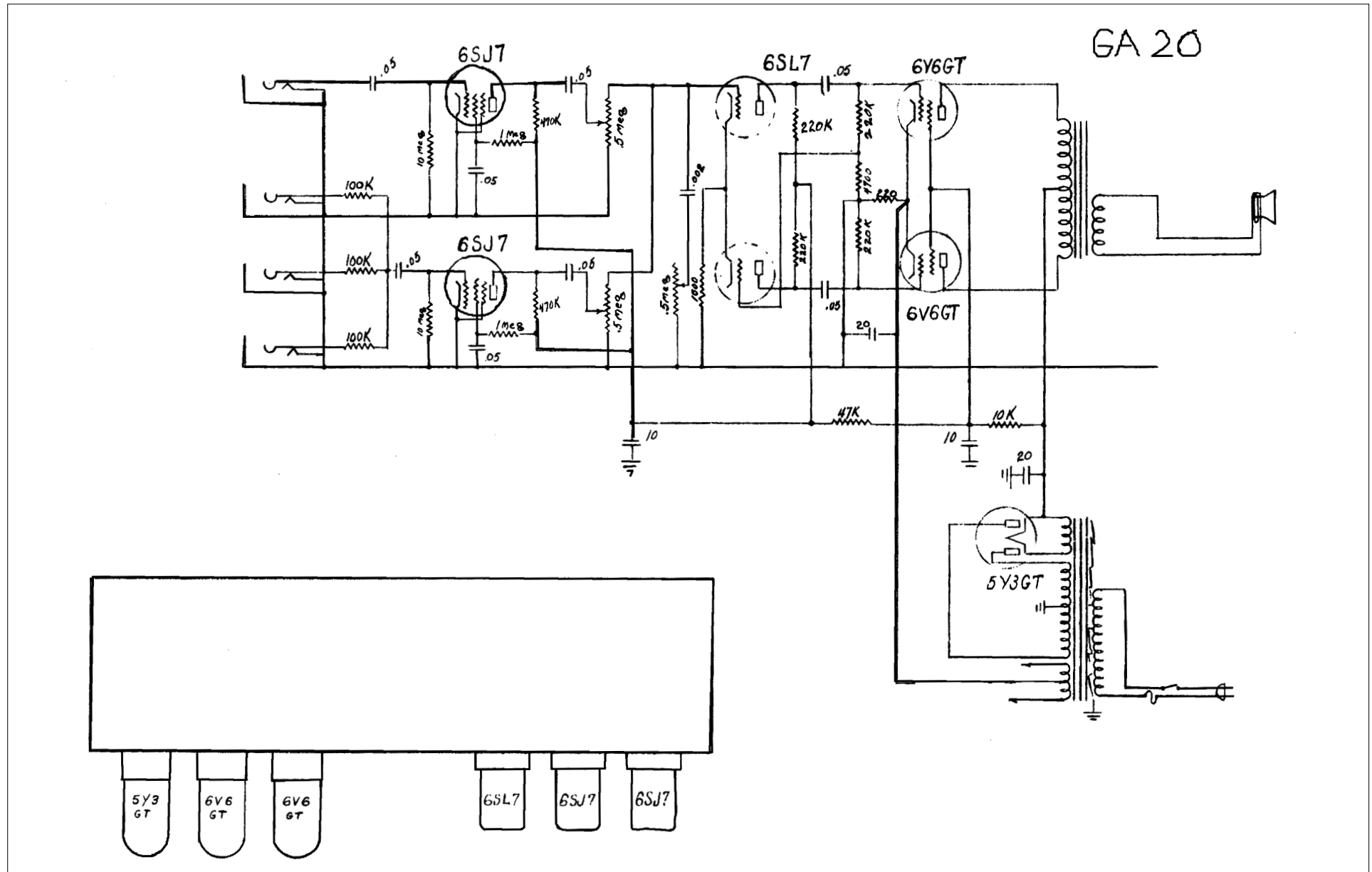
TUBE PLACEMENT CHART						
V1	V2	V3	V4	V5	V6	V7
6EU7	7199	6EU7	6EU7	6V6GT	6V6GT	5Y3GT

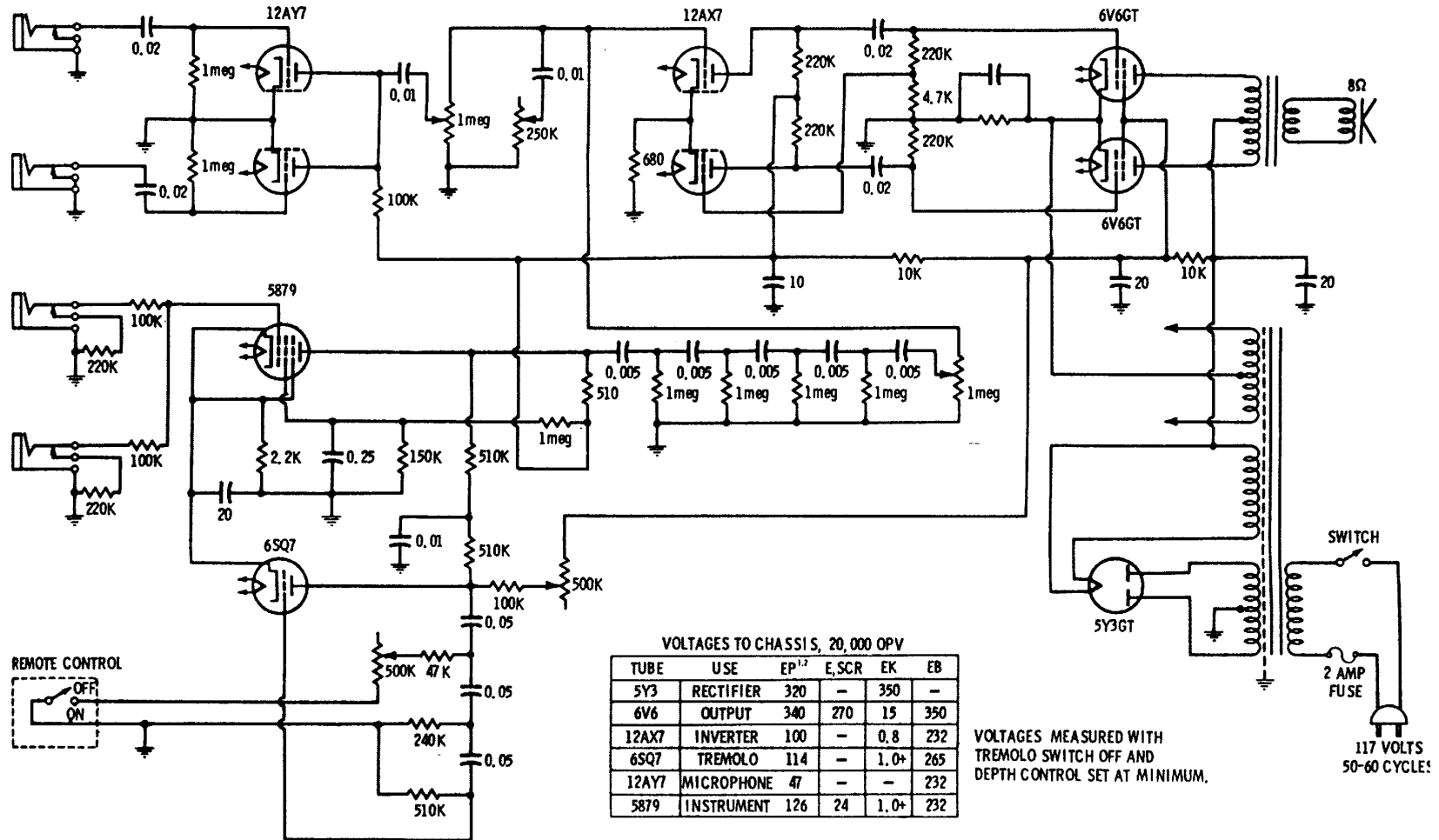
ALL DC VOLTAGES ARE MEASURED TO CHASSIS WITH V.T.V.M.



GA-20

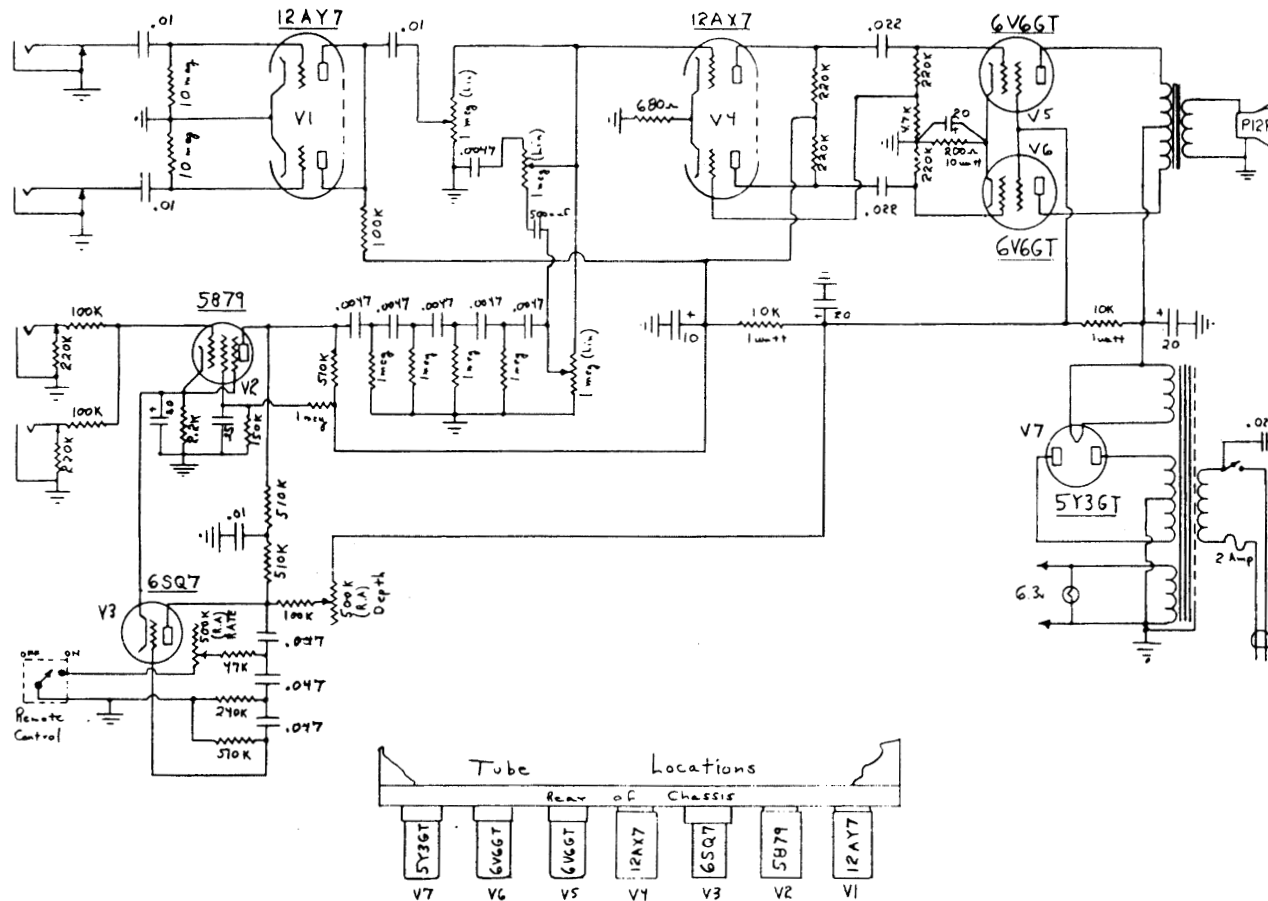
Gibson





Gibson Model GA-20T





Voltages To Chassis, 20,000 Ω

No	Type	E <sub>p</sub>	E <sub>s<sub>q</sub></sub>	E <sub>g</sub>	E <sub>k</sub>
V1	12AX7	55	-	-.8	0
V2	5879	115	24	0	1.2
V3	6S7Q7	105	-	0	1.2
V4	12AX7	105	-	0	.85
V5-6	6V6GT	350	260	0	15
V7	5Y36T	320 RMS	-	-	355

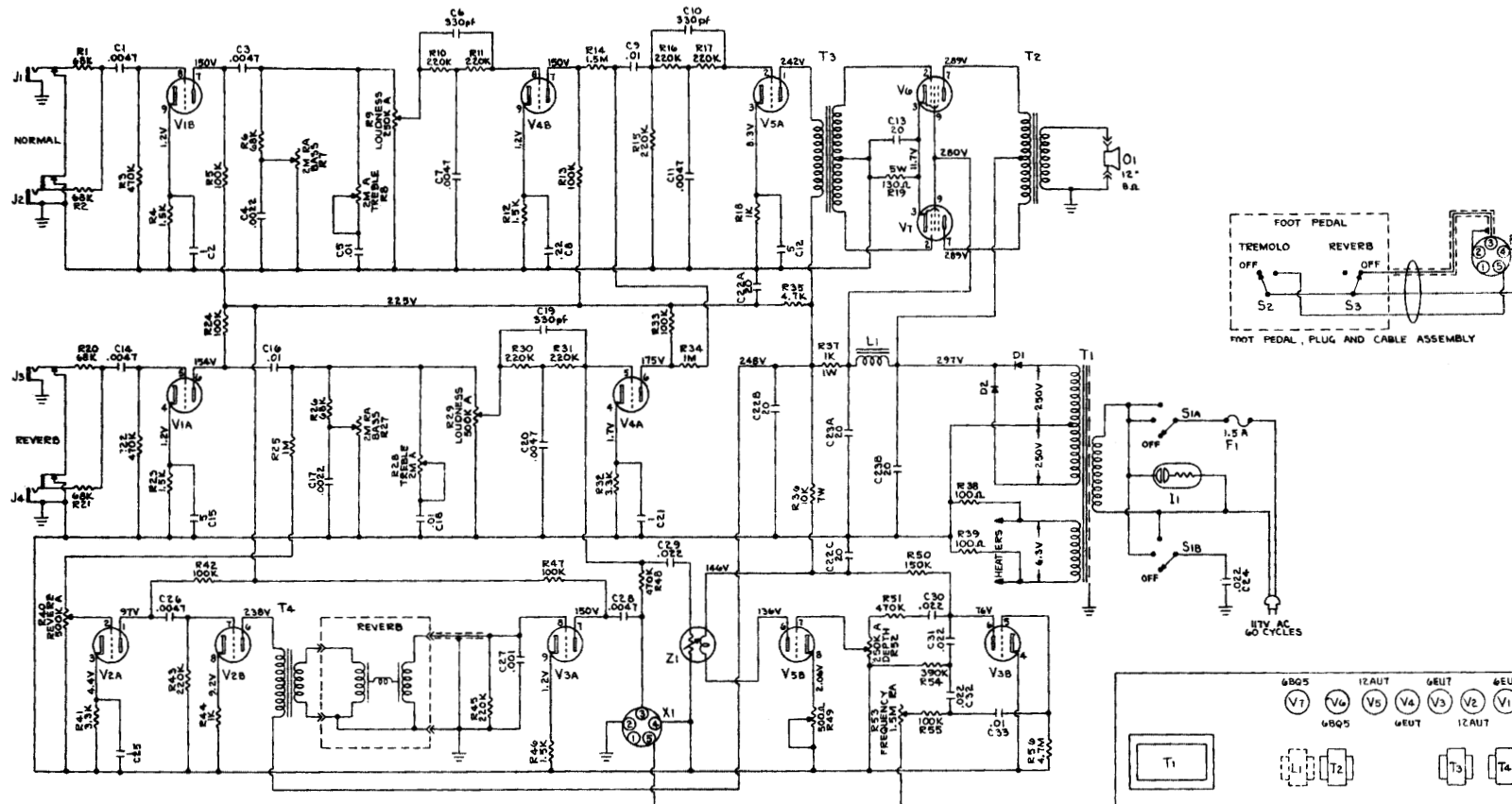
Voltages measured with  
Tremolo Switch off and  
Depth Control set at  
minimum.

\*\*  
measured with VTVM

GIBSON MUSICAL  
INSTRUMENT  
AMPLIFIER MODEL  
GA-20T (RANGER)

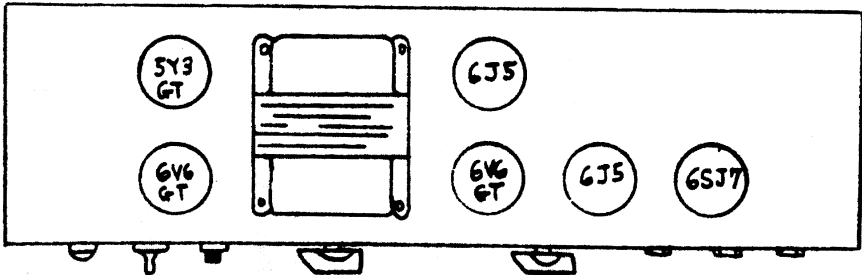
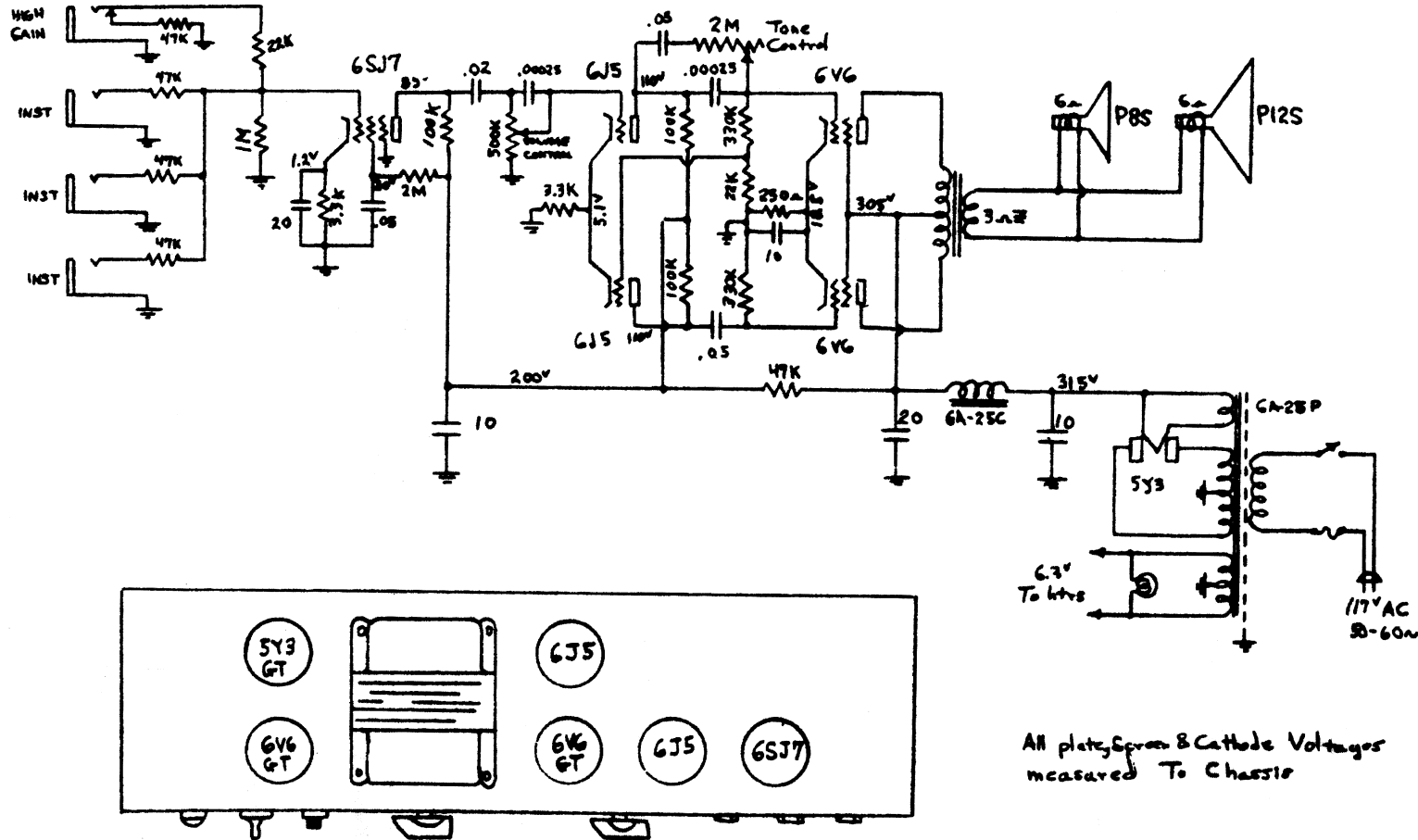
COURTESY OF GIBSON INC.

GA-20RVT



- |        |             |                           |          |                |   |
|--------|-------------|---------------------------|----------|----------------|---|
| T1     | TF-105P-1   | Power Transformer         | R9, R52  | CBA-4008       | Control - 250K, Audio (Loudness & Depth)  |
| T2     | TF-501-0    | Output Transformer        | R8, R28  | CBA-311-3702-1 | Control - 2 meg, Audio (Treble)           |
| T3     | TF-100LD-1  | PF Driver Transformer     | R29, R10 | CBA-1007       | Control - 500K, Audio (Loudness & Reverb) |
| T4     | TF-85400    | Reverb Transformer        | R53      | CMA-311-3711-1 | Control - 1.5 meg, RA (Frequency)         |
| L1     | TF-1003-C   | Filter Choke              | R7, R27  | CBA-313-222-1  | Control - 2 meg, RA (Bass)                |
|        |             |                           | R19      | CR-21391       | Control - 500 ohm, W                      |
| S1A, B | SW-899-1    | Switch - SPST Rotary      |          |                |   |
| S2, S3 | SW-2103     | Switches - SPST           |          |                |   |
| I1     | PL-35R      | Pilot Light (Neon) w/clip |          |                |   |
| X1     | CI-75PC3-5  | Foot Pedal Socket         |          |                |   |
| P1     | CM-91MFM-5L | Foot Pedal Plug           |          |                |   |
| D1, D2 | DI-404      | Diode - 800 PIV           |          |                |   |

GA-25



All plate, screen & Cathode Voltages measured To Chassis

GIBSON INC	Schematic	
	24 Jan 61	MCP



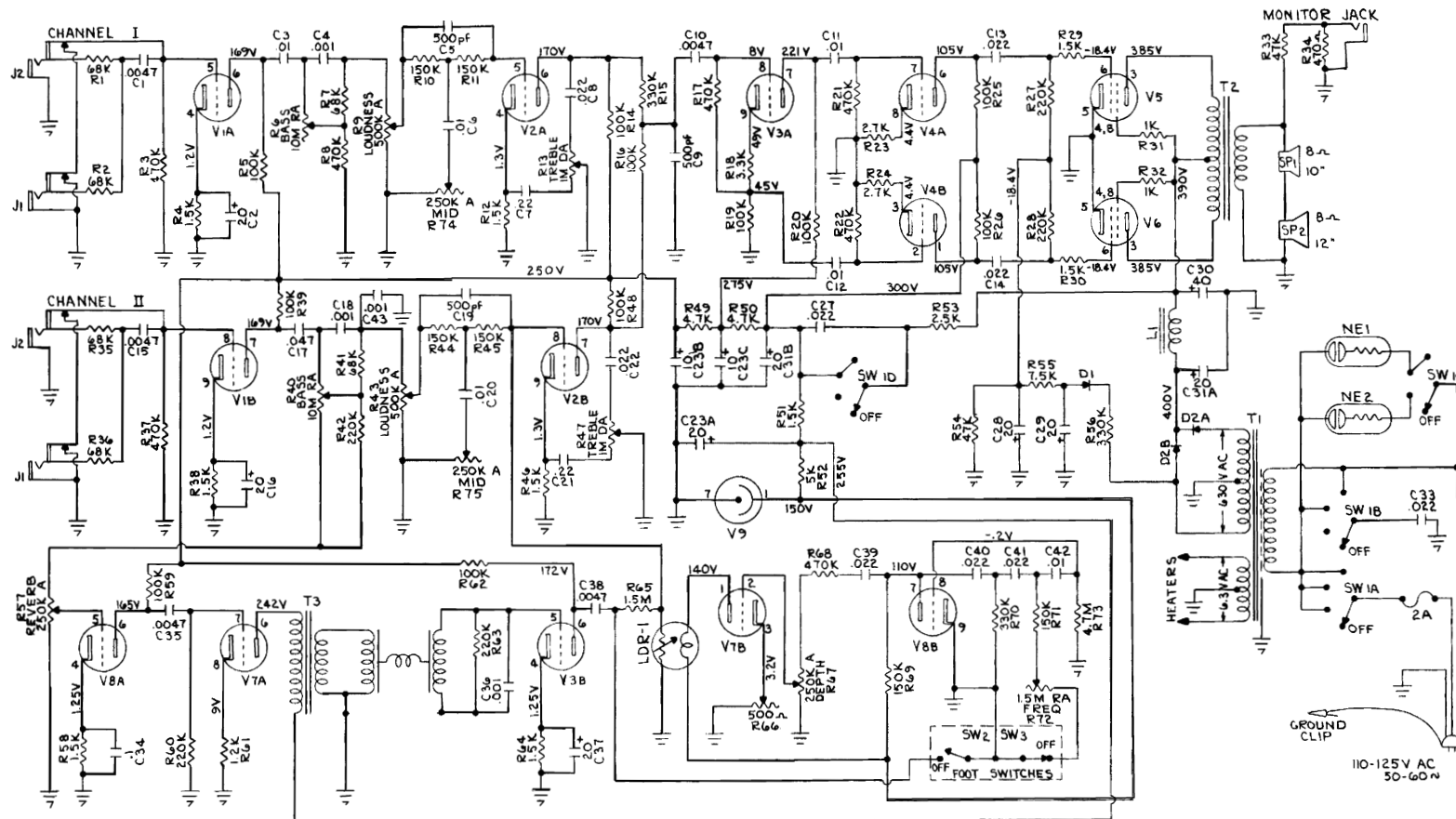




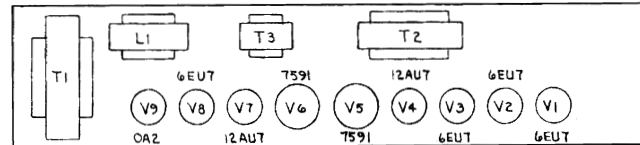




GA-30RVT

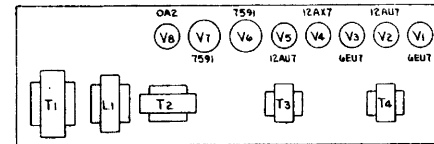
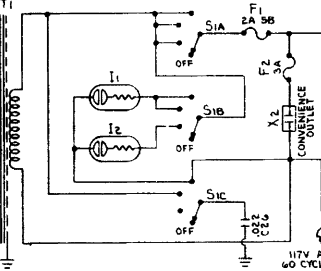
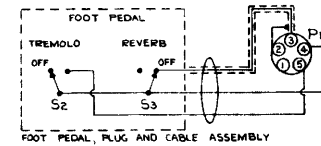
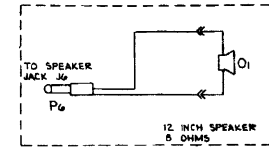
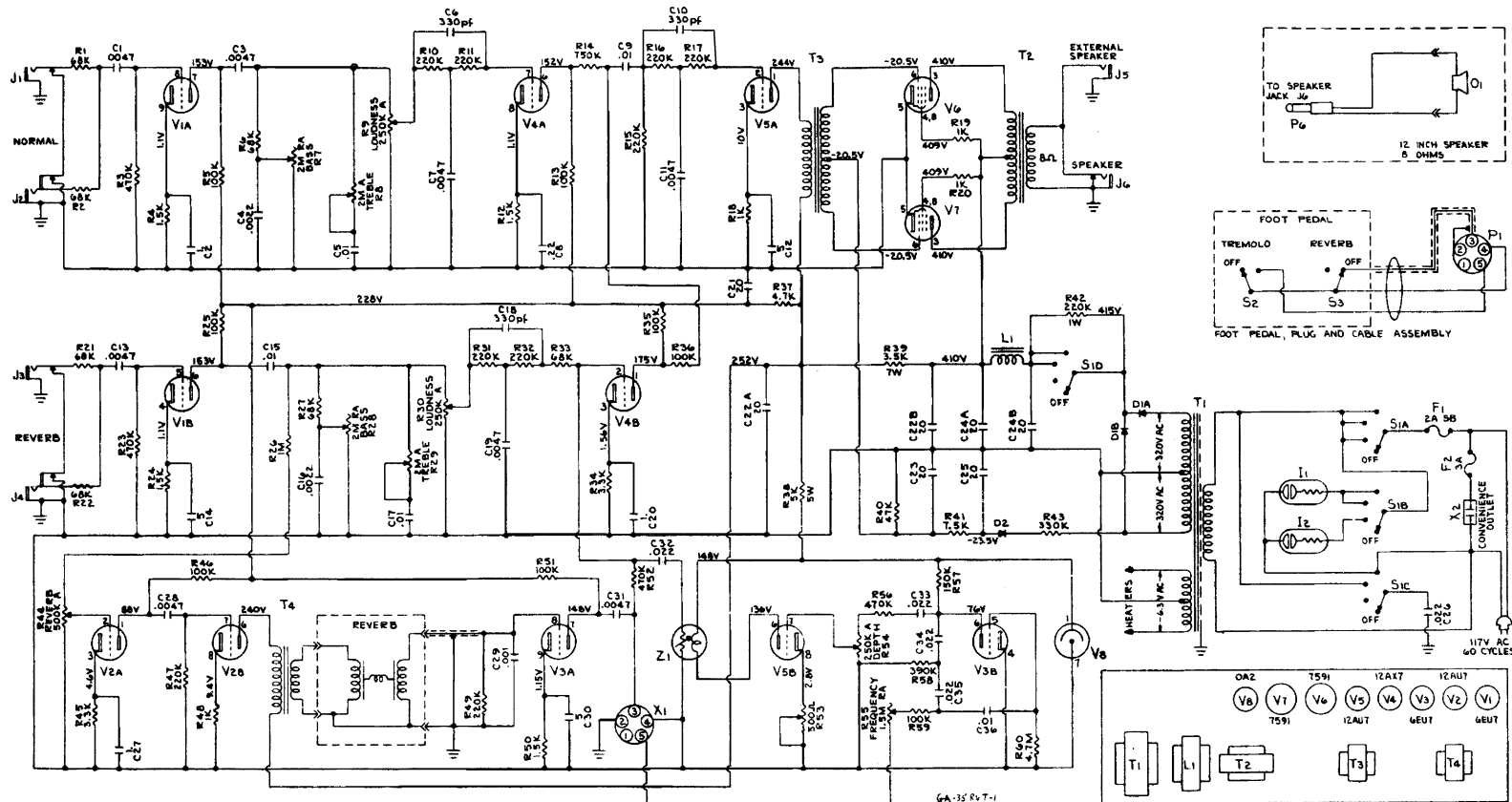


- SW-1A,1B,1C,1D Switch - off, standby, on-on Rotary SW-78
- SW-2,SW-3 Switches - push, push SW-82403
- T1 Power Transformer TP-100P
- T2 Output Transformer TP-P-6417-1
- T3 Reverb Transformer TP-R-6400
- L1 Filter Choke TP-3021-H
- D1 Diode 600 PIV, 250 MA DI-71B
- D2A,D2B Diode 1200 PIV, 250 MA DI-57
- R57,R67,R74,R75 Controls - 250K, C2 Audio (Reverb,Depth) CBA-811-3701
- R9,R43 Controls - 500K, C2 Audio (Loudness) CBA-811-3707
- R6,R4C Controls - 10 meg, C3 RA (Bass) CBA-811-3710
- R72 Control - 1.5 meg, C3 RA (Frequency) CBA-811-3711
- R13,R47 Controls - 1 meg - 30% RA (Treble) CBA-813-4001
- R66 Control - 500 ohm wire wound CB-23391

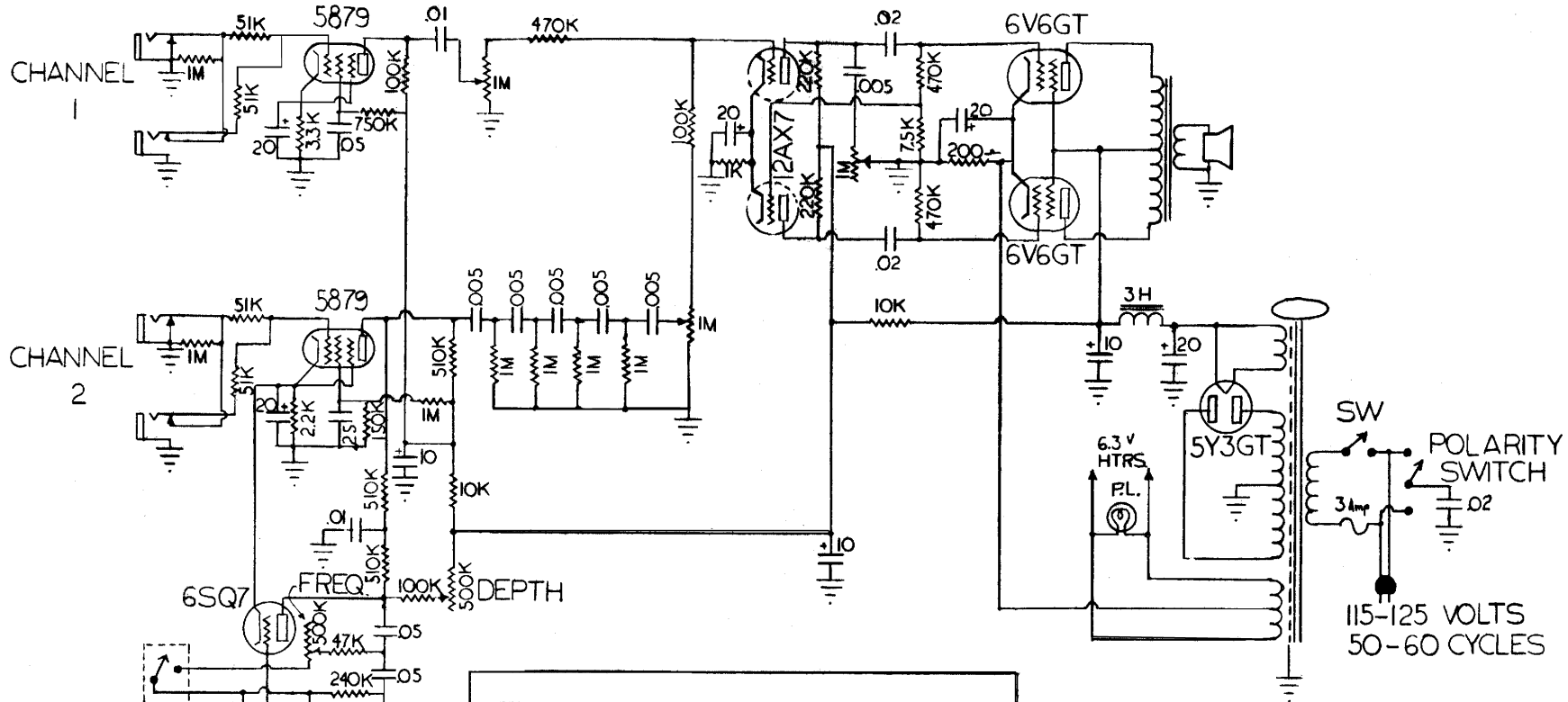


110-125V AC  
50-60Hz

GA-35RVT

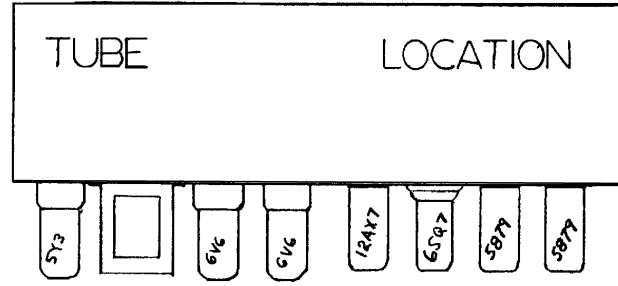


- |              |                             |                |            |                        |
|--------------|-----------------------------|----------------|------------|------------------------|
| T1           | Power Transformer           | TF-104P        | DIA, B     | Diode - 1200 PIV DI-57 |
| T2           | Output Transformer          | TF-P6417       | D2         | Diode 600 PIV DI-71B   |
| T3           | PP Driver Transformer       | TF-1001D-1     |            |                        |
| T4           | Reverb Transformer          | TF-E6400       |            |                        |
| L1           | Filter Choke                | TF-3021H       |            |                        |
| S1A, E, C, D | Switch - off, standby, n-On | SW-78A-1       |            |                        |
| S2, S3       | Switches - SPST             | SW-82403       |            |                        |
| I1           | PL-37R Pilot Light (Rec)    | X1             | CN-78PCG-5 | Foot Pedal Socket      |
| I2           | PL-38A Pilot Light (Amb r)  | X2             | CN-303     | AC Convenience Outlet  |
| R9, R30, R54 | Control - 250K, Audio       | CBA-4008       |            |                        |
| R8, R29      | Control - 2 meg, audio      | CBA-911-3702-1 |            |                        |
| R44          | Control - 500K Audio        | CBA-4007       |            |                        |
| R55          | Control - 1.5 meg, Rn       | CBA-811-3711-1 |            |                        |
| R7, R28      | Control - 1 meg, audio      | CBA-811-3709-1 |            |                        |



REMOTE CONTROL

*Les Paul*



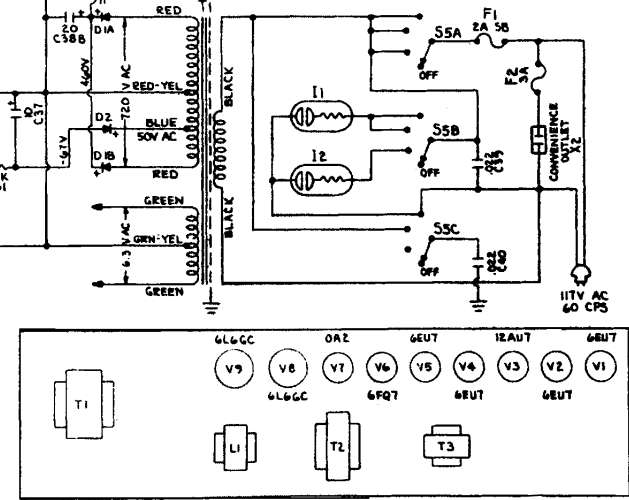
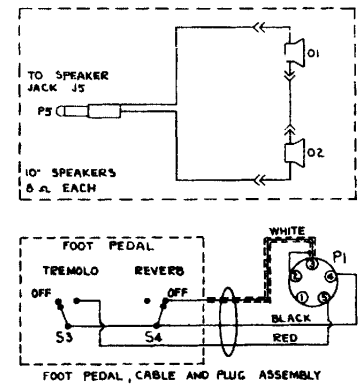
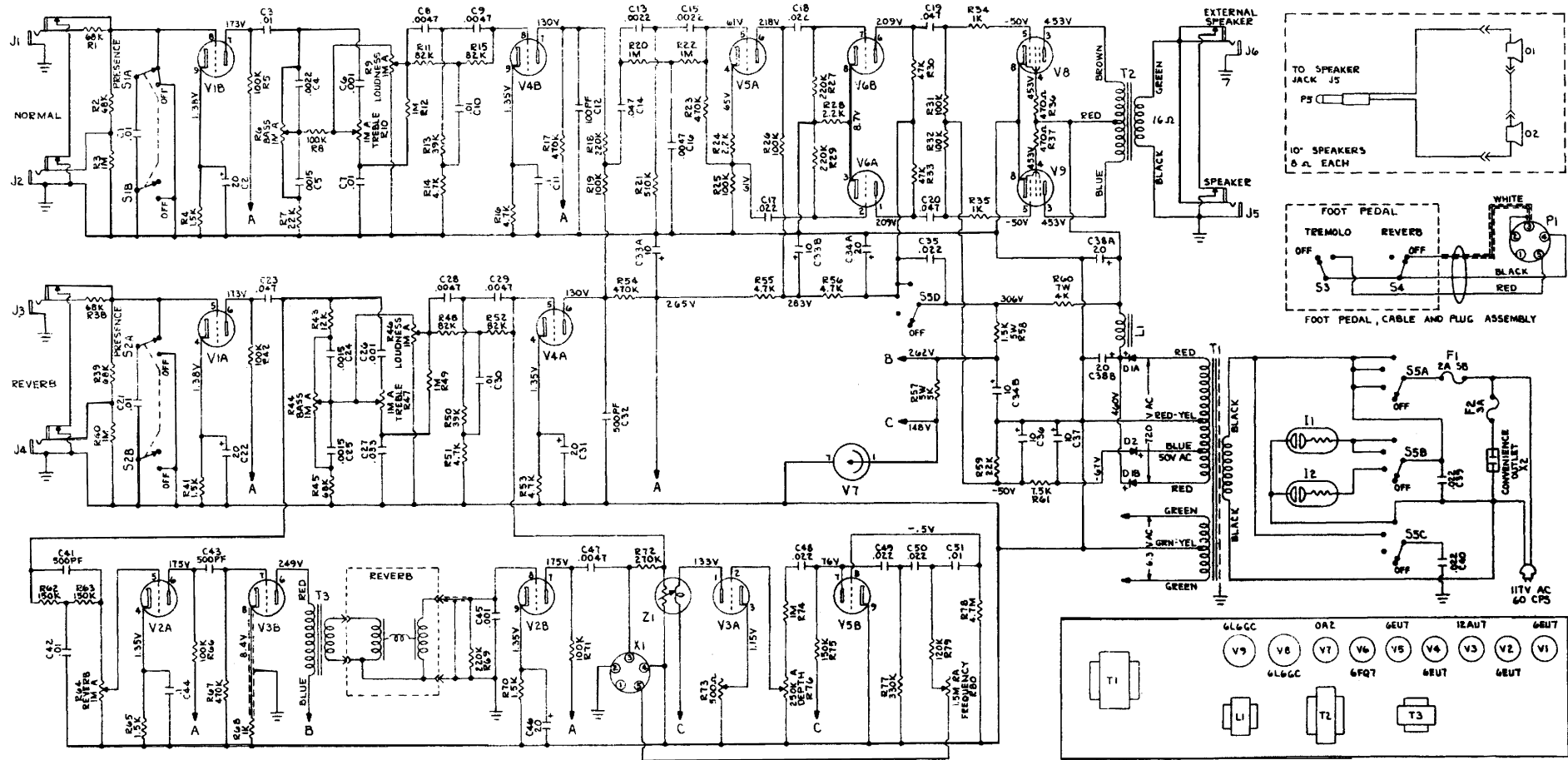
VOLTAGE TABLE

TUBE	USE	E <sub>p1</sub>	E <sub>sc</sub>	E <sub>k</sub>	E <sub>p2</sub>	E <sub>b+</sub>
5Y3GT	RECT.	300*AC	—	+315	300*AC	—
6V6GT	OUT PLT	+305	+310	+18.5	—	+310
12AX7	φ INVERTER	+135	—	+1.25	+135	+280
5879	CHANNEL 1	+175	+95	+4	—	+265
5879	CHANNEL 2	+130	+32	+1.45	—	+265
6SQ7	TREMOLO OSC.	+130**	—	+1.45	—	—

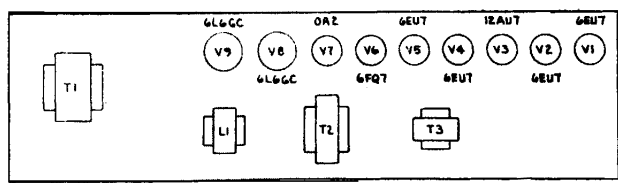
\*VOLTAGES TO CHASSIS WITH 20,000 O.P.V. METER.

\*\*TREMLO 'OFF', DEPTH 'MIN.'





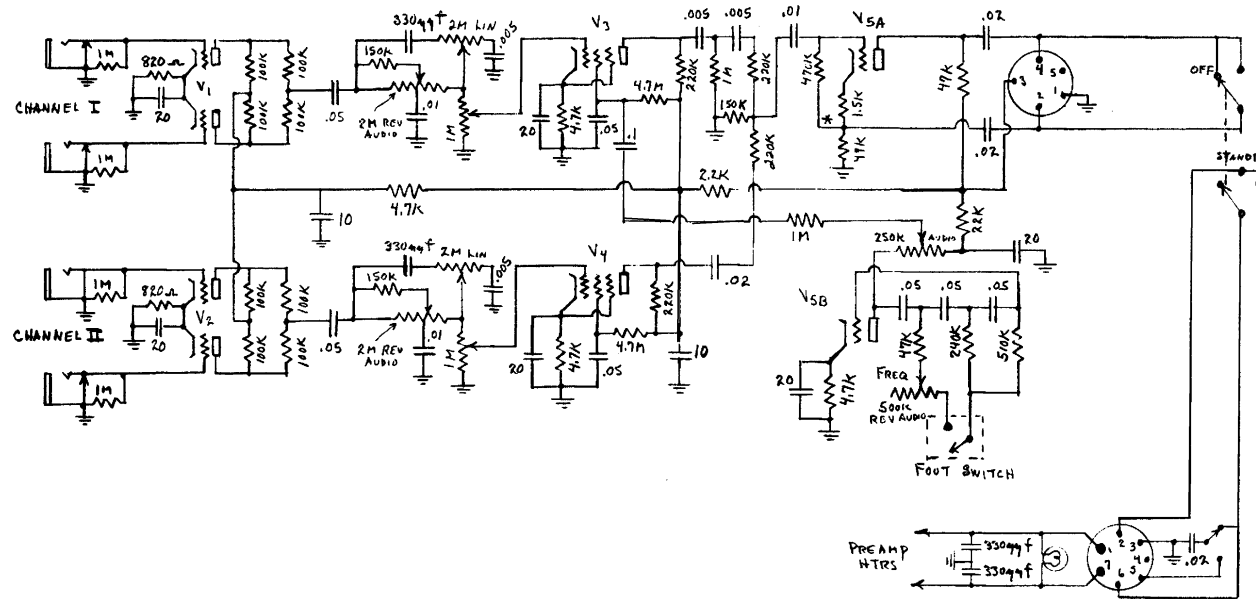
T1	Power Transformer	TF-7795	R76	Control - 250K, A (Depth)	GBA-811-3701
T2	Output Transformer	TF-501-0	R6, R9, R10, R14, R16	Control - 1 meg, A (Bass, Treble, Loudness, Reverb)	GBA-811-1709
T3	Reverb Transformer	TF-8440	R7, R8	Control - 1.1 meg, B (Trem)	GB-811-1711
	Filter Choke	TF-3721H	R50	Control - 500 ohm, M (Vine atop)	DB-21391
S1, S2, S3	Switch - polarity	SM-78A	R73	Light Dependent Resistor	L28-500
S1A, S2A, S3A	Switches - OFF/Slide	SM-129	Z1	10", 8 ohm Speakers	S-20005
S3, S4	Switches - SPST	SM-8260	O1, O2		
I1	Pilot Light (Amber) Neon	PL-12A			
I2	Pilot Light (Red) Neon	PL-12R			
D1A, B	Diode - 1200 PIV, 750 MA	DE-57			
D2	Diode - 200 PIV, 1 A D	DI-405			





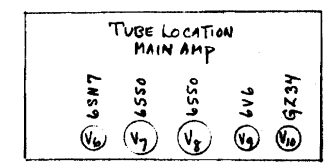
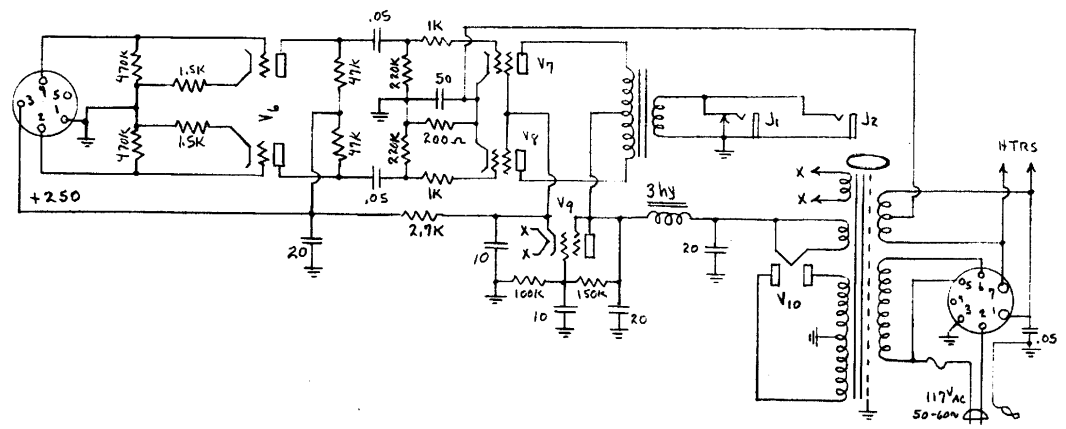
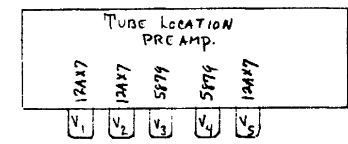


GA-46



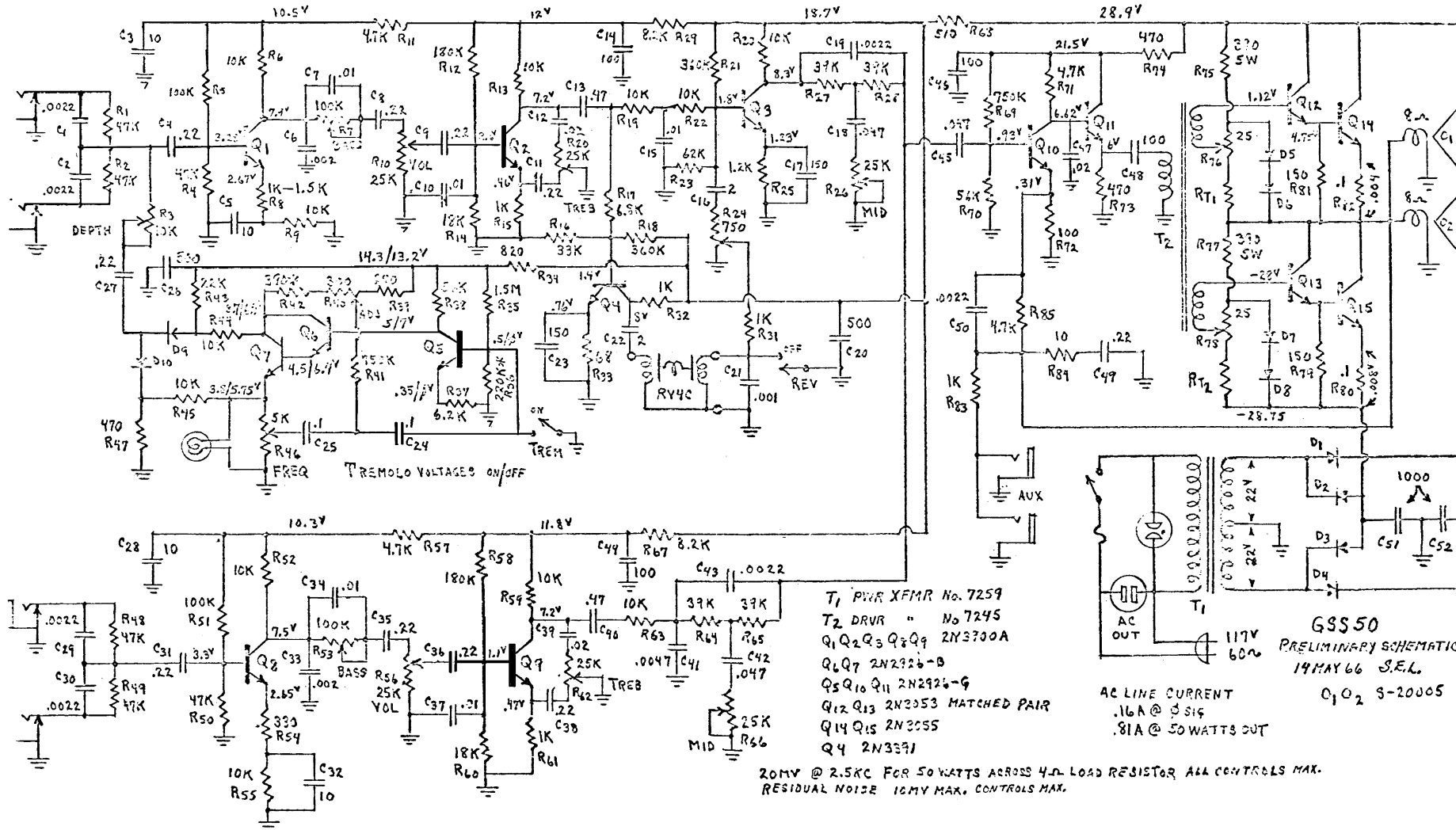
	Ep	Esq	EG	EK
V1-12AX7 CHAN I PREAMP	+150	—	0	+1.2
V2-12AX7 " II "	+150	—	0	+1.2
V3-5Y79 MIXER AMP	+180	+32	0	+1.15
V4-5879 AMPLIFIER	+180	+32	0	+1.15
V5A-312AX7 PHASE SPLITTER	+210	—	+46	+47
V5B-312AX7 THERM. OSC.	+450	—	0	+1.7
V6-6SN7 DRIVER	112	—	0	+4.2
V7-6550 PWR AMP	+560	+265	0	+23.5
V8-6550 " "	+560	+265	0	+23.5
V9-6V6 VOLTAGE REG.	+565	+565	+224	+265
V10-6Z34 RECTIFIER	155ms	—	—	+570

DC VOLTAGES TO CHASSIS WITH HTRS VTVM AND THERMOSC OSCILLATOR "OFF"









- T<sub>1</sub> PWR XFMR No. 7259
- T<sub>2</sub> DRVR " No. 7245
- Q<sub>1</sub> Q<sub>2</sub> Q<sub>3</sub> Q<sub>8</sub> Q<sub>9</sub> 2N3700A
- Q<sub>4</sub> Q<sub>7</sub> 2N2924-B
- Q<sub>5</sub> Q<sub>10</sub> Q<sub>11</sub> 2N2924-G
- Q<sub>12</sub> Q<sub>13</sub> 2N2053 MATCHED PAIR
- Q<sub>14</sub> Q<sub>15</sub> 2N2055
- Q<sub>4</sub> 2N3391

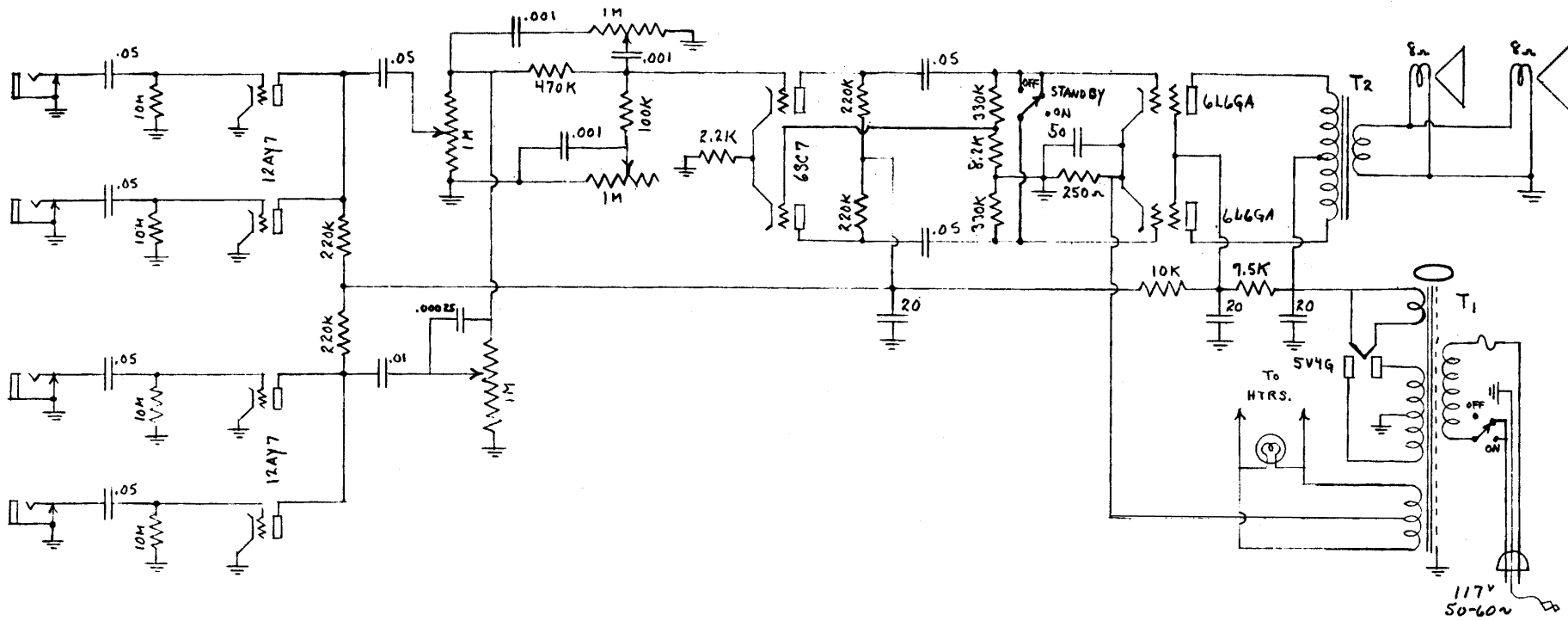
AC LINE CURRENT  
 .16A @ 50Hz  
 .81A @ 50 WATTS OUT

20mV @ 2.5KC FOR 50 WATTS ACROSS 4-Ω LOAD RESISTOR ALL CONTROLS MAX.  
 RESIDUAL NOISE 10mV MAX. CONTROLS MAX.

**GSS 50**  
 PRELIMINARY SCHEMATIC  
 19 MAY 66 S.E.L.

C<sub>1</sub> C<sub>2</sub> 5-20005

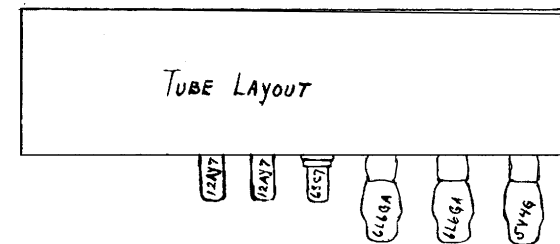
GA-55



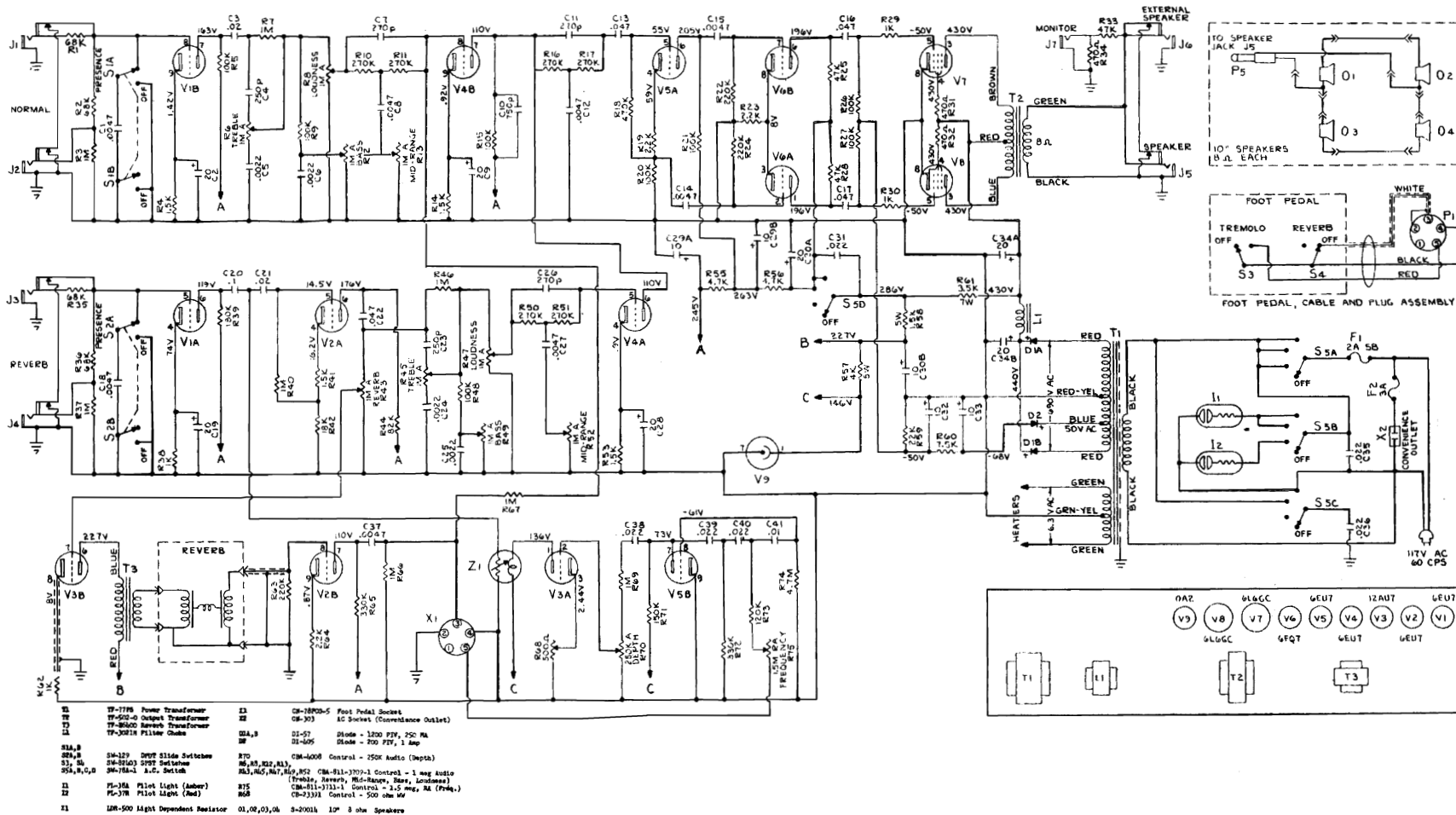
Voltages to Chassis using 20,000  $\mu$ v meter.

Tube	Use	Plate	Screen	Cathode	Plate	Screen	Cathode
5V4G	Rectifier	300VAC	—	3.60	300VAC	—	3.60
6L6GA	OUTPUT	355	305	25	—	—	—
6L6GA	OUTPUT	355	305	25	—	—	—
6BC7	$\phi$ INVERTER	160	—	1.85	160	—	1.85
12AY7	INST.	40	—	0.0	40	—	0.0
12AY7	Mic	40	—	0.0	40	—	0.0

Normal voltages may vary 20% with normal tubes in resistance coupled stages



GA-55RVT



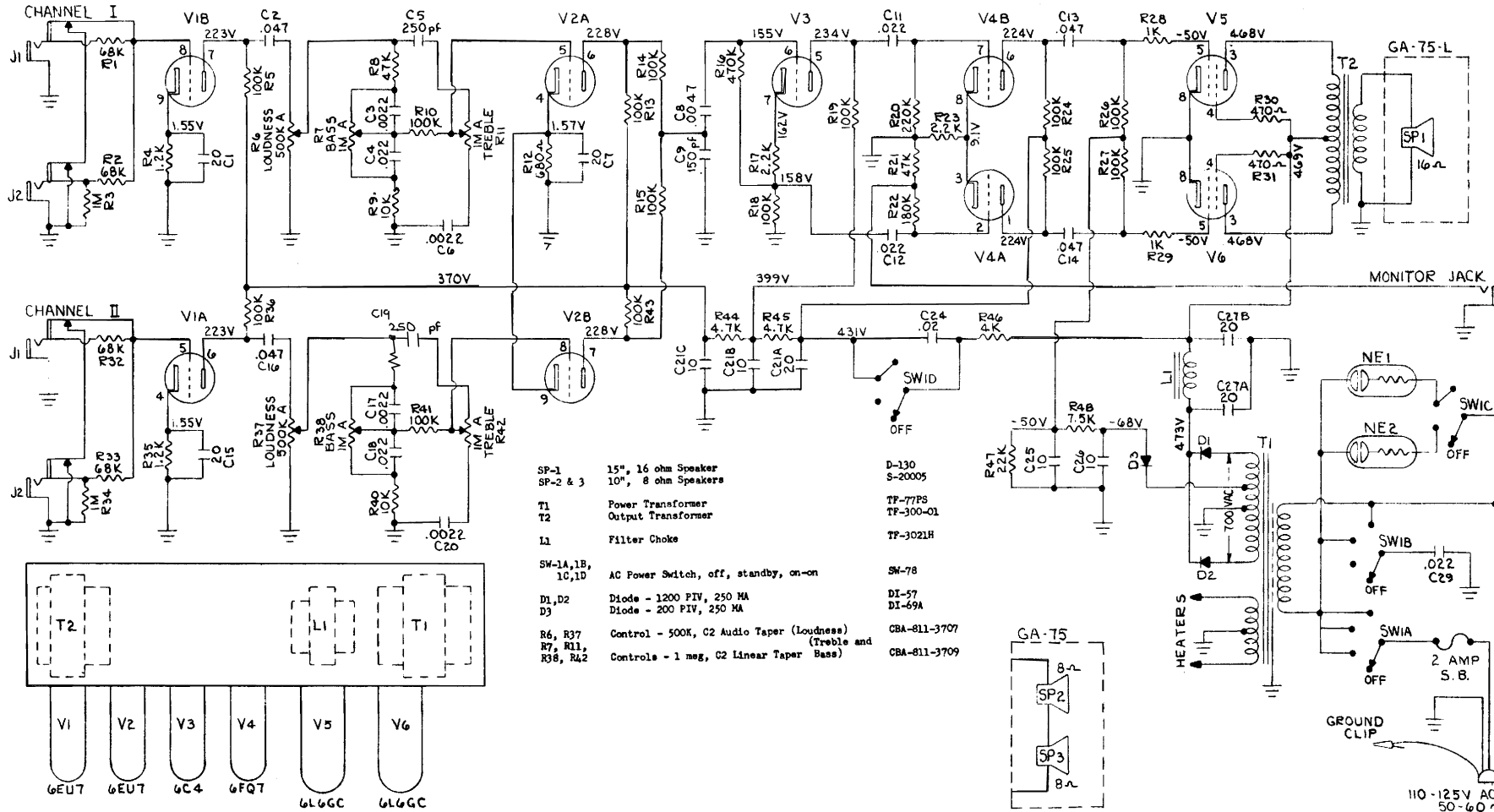




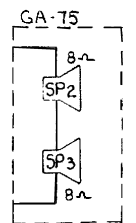
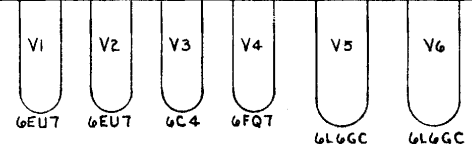




GA-75



- SP-1 15", 16 ohm Speaker
- SP-2 & 3 10", 8 ohm Speakers
- T1 Power Transformer
- T2 Output Transformer
- L1 Filter Choke
- SW-1A, 1B, 1C, 1D AC Power Switch, off, standby, on-on
- D1, D2 Diode - 1200 PIV, 250 MA
- D3 Diode - 200 PIV, 250 MA
- R6, R37 Control - 500K, C2 Audio Taper (Loudness)
- R7, R11, R38, R42 Controls - 1 meg, C2 Linear Taper Bass
- D-130 S-20005
- TF-77PS TF-300-01
- TF-3021H
- SM-78
- DI-57 DI-69A
- CBA-811-3707
- CBA-811-3709



110-125V AC 50-60 Hz

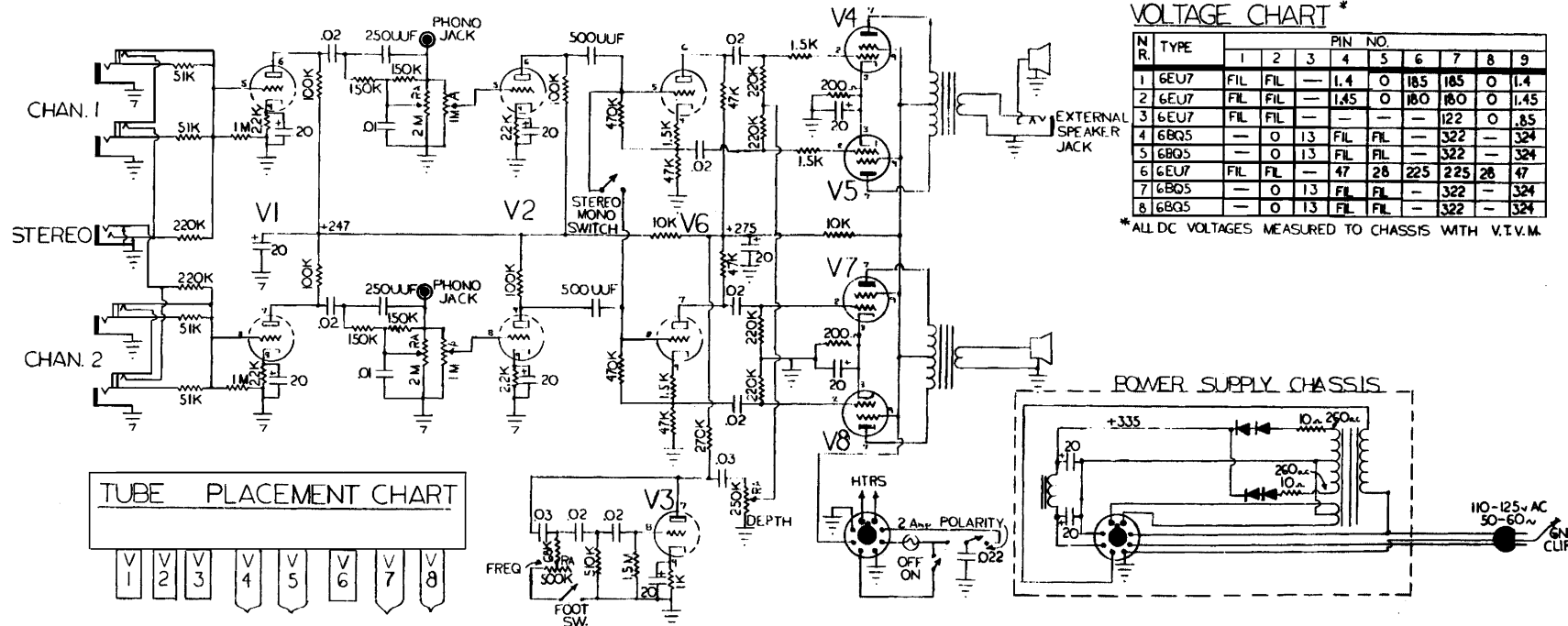








GA-78

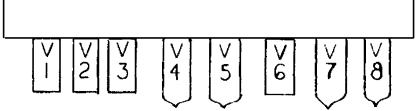


VOLTAGE CHART \*

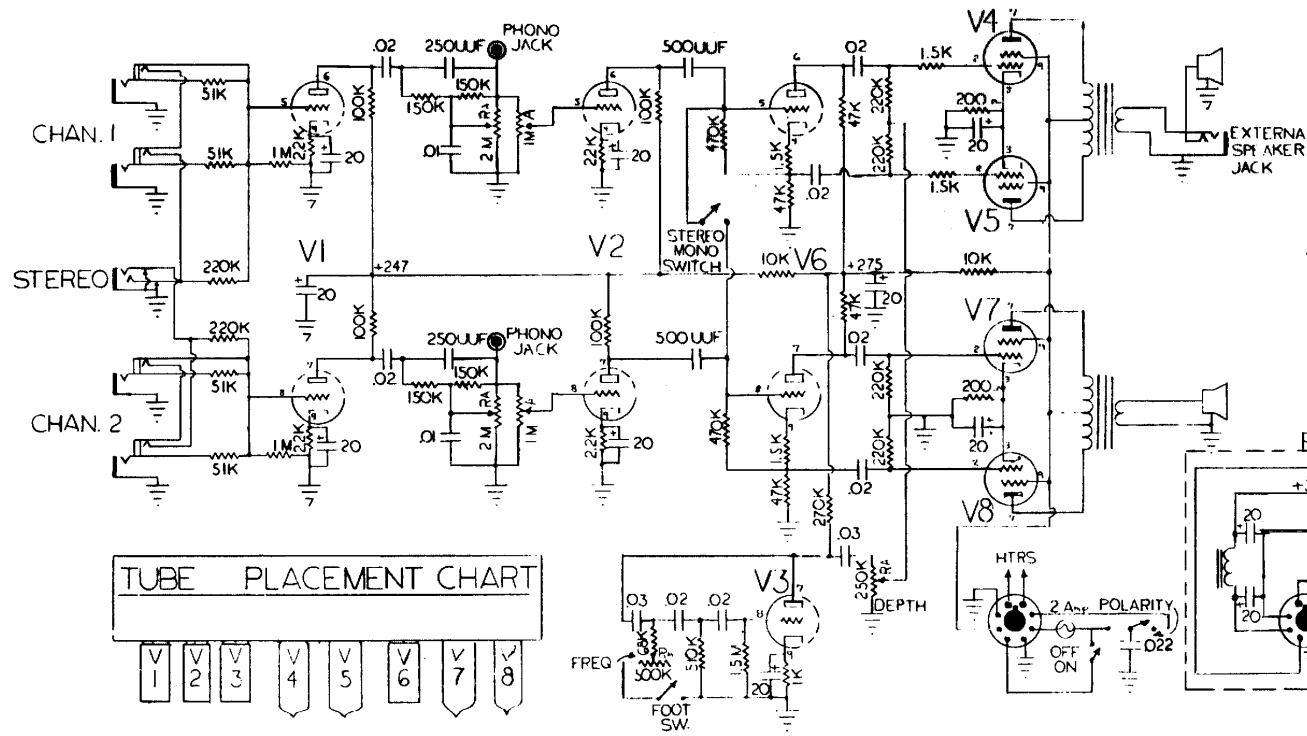
N R.	TYPE	1	2	3	4	5	6	7	8	9
1	6EU7	FIL	FIL	—	1.4	0	185	185	0	1.4
2	6EU7	FIL	FIL	—	1.45	0	180	180	0	1.45
3	6EU7	FIL	FIL	—	—	—	122	0	—	.85
4	6BQ5	—	0	13	FIL	FIL	—	322	—	324
5	6BQ5	—	0	13	FIL	FIL	—	322	—	324
6	6EU7	FIL	FIL	—	47	28	225	225	28	47
7	6BQ5	—	0	13	FIL	FIL	—	322	—	324
8	6BQ5	—	0	13	FIL	FIL	—	322	—	324

\* ALL DC VOLTAGES MEASURED TO CHASSIS WITH V.T.V.M.

TUBE PLACEMENT CHART



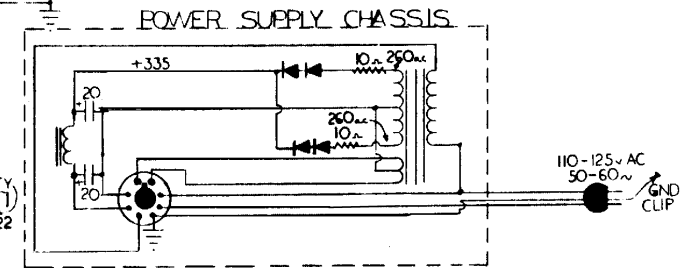
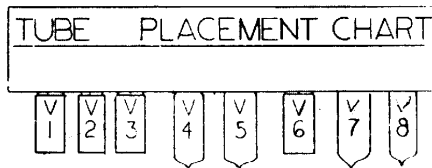
GA-79



VOLTAGE CHART

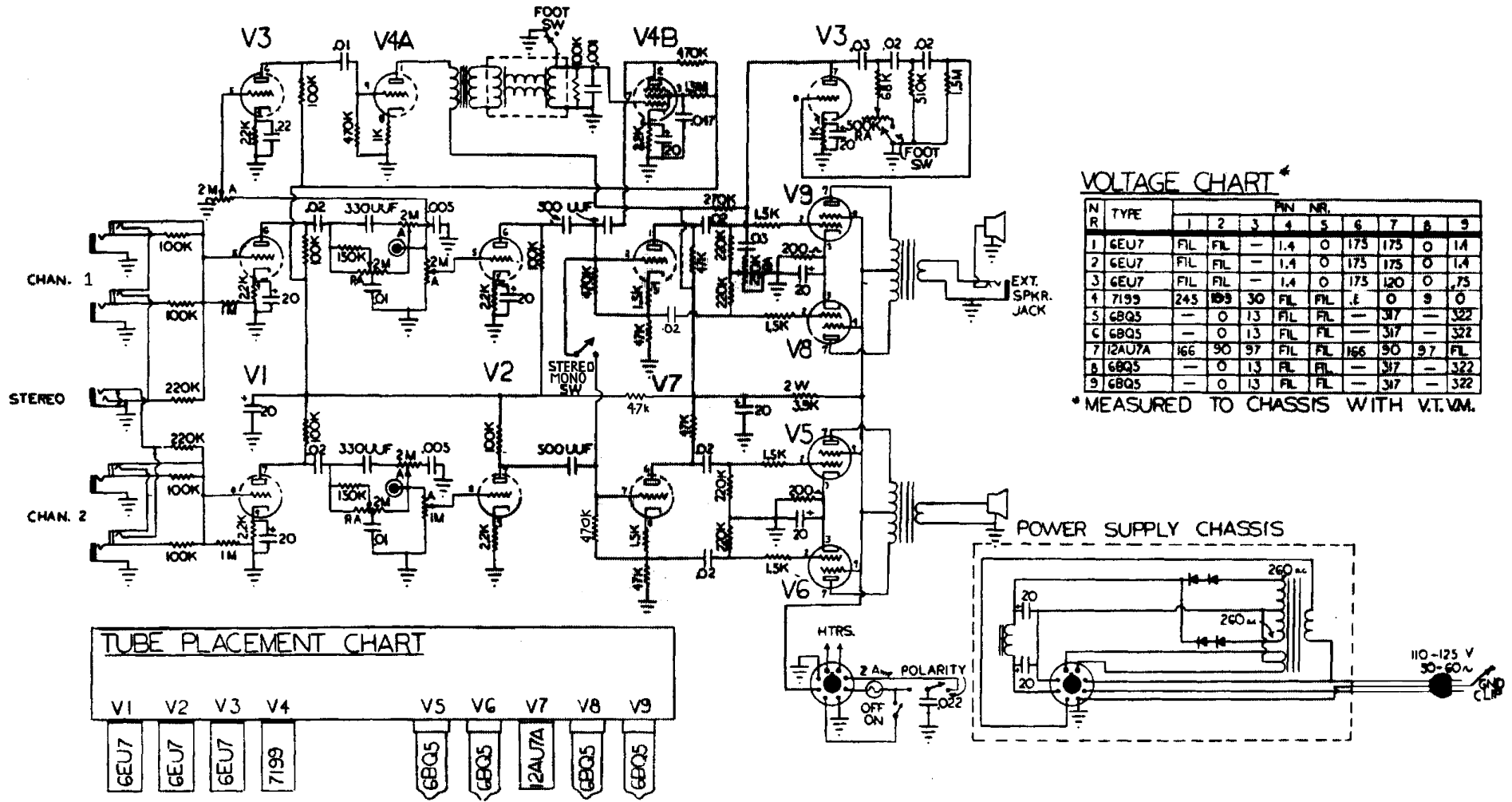
N R.	TYPE	PIN NO.								
		1	2	3	4	5	6	7	8	9
1	6EU7	FIL	FIL	—	1.4	0	185	185	0	1.4
2	6EU7	FIL	FIL	—	1.45	0	180	180	0	1.45
3	6EU7	FIL	FIL	—	—	—	—	122	0	.85
4	6BQ5	—	0	13	FIL	FIL	—	322	—	324
5	6BQ5	—	0	13	FIL	FIL	—	322	—	324
6	6EU7	FIL	FIL	—	47	28	225	225	28	47
7	6BQ5	—	0	13	FIL	FIL	—	322	—	324
8	6BQ5	—	0	13	FIL	FIL	—	322	—	324

\* ALL DC VOLTAGES MEASURED TO CHASSIS WITH V.T.V.M.

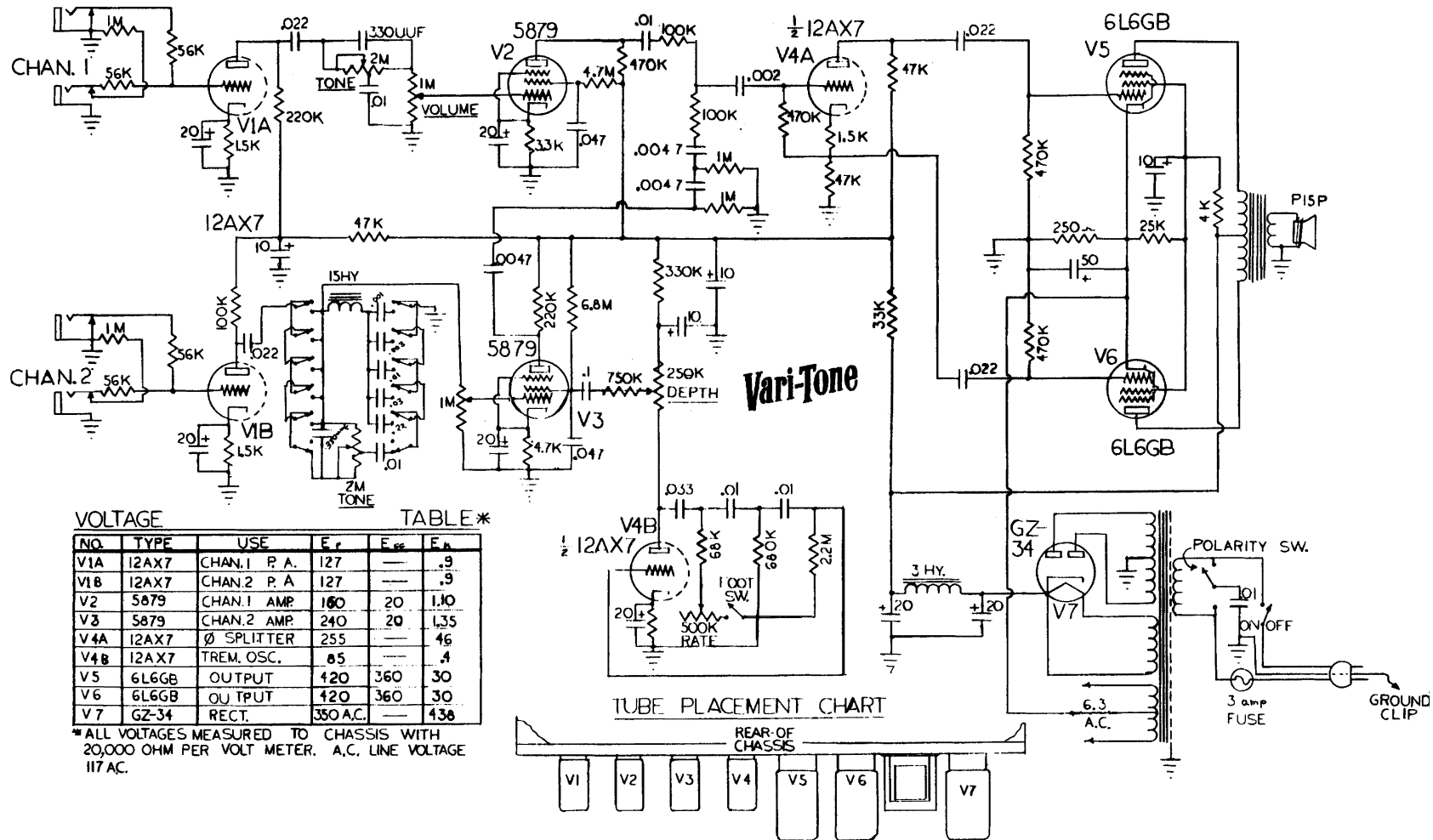


110-125V AC  
50-60~  
GND CLIP





GA-80

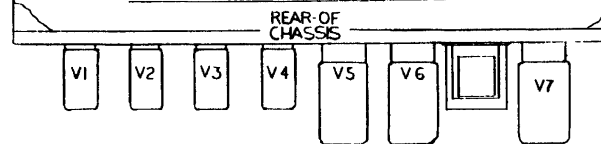


VOLTAGE TABLE \*

NO.	TYPE	USE	$E_p$	$E_{c1}$	$E_{c2}$
V1A	12AX7	CHAN. 1 P. A.	127	—	.9
V1B	12AX7	CHAN. 2 P. A.	127	—	.9
V2	5879	CHAN. 1 AMP.	160	20	1.10
V3	5879	CHAN. 2 AMP.	240	20	1.35
V4A	12AX7	Ø SPLITTER	255	—	.46
V4B	12AX7	TREM. OSC.	85	—	.4
V5	6L6GB	OUTPUT	420	360	30
V6	6L6GB	OUTPUT	420	360	30
V7	GZ-34	RECT.	350 A.C.	—	436

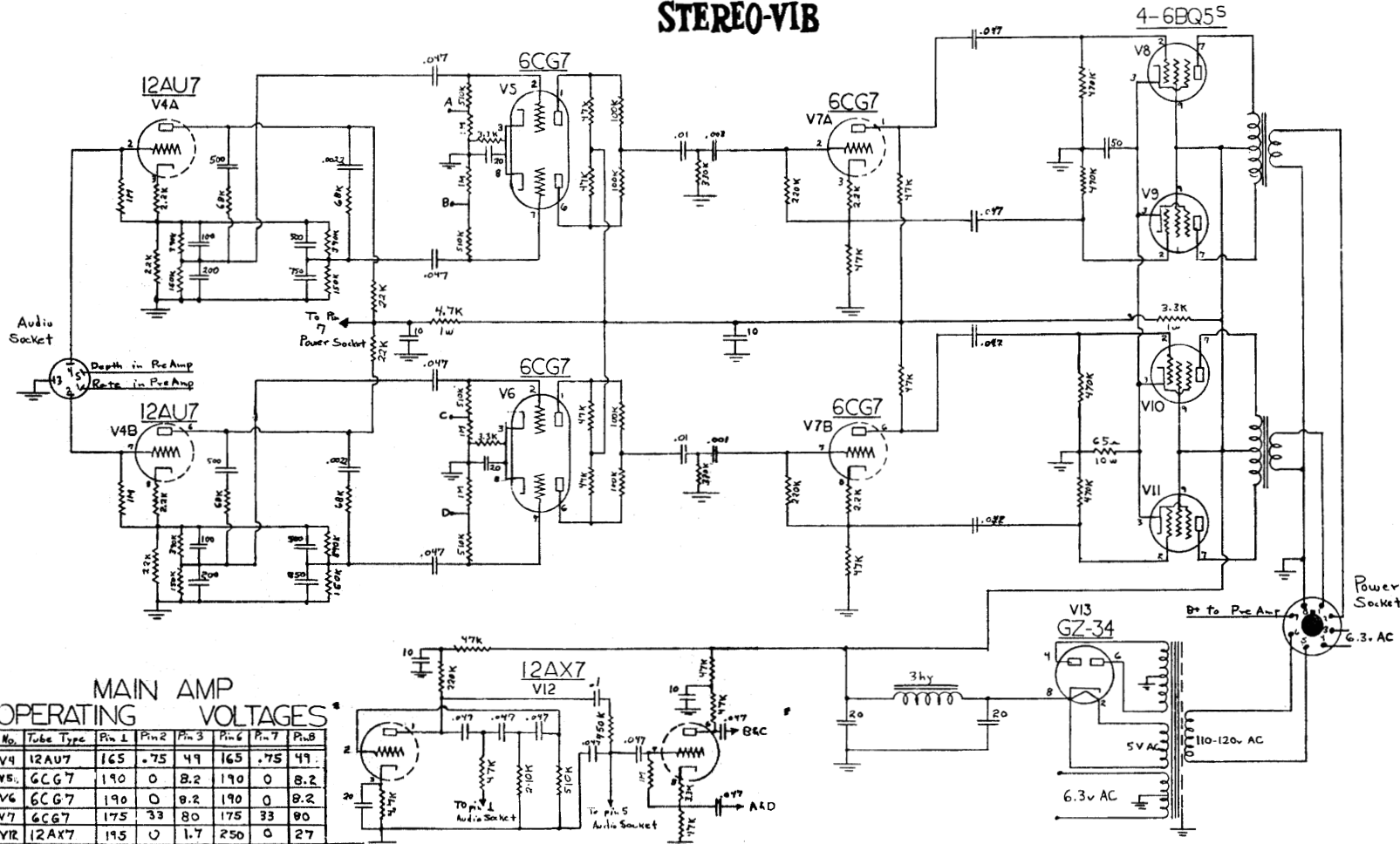
\* ALL VOLTAGES MEASURED TO CHASSIS WITH 20,000 OHM PER VOLT METER. A.C. LINE VOLTAGE 117 A.C.

TUBE PLACEMENT CHART





**STEREO-VIB**



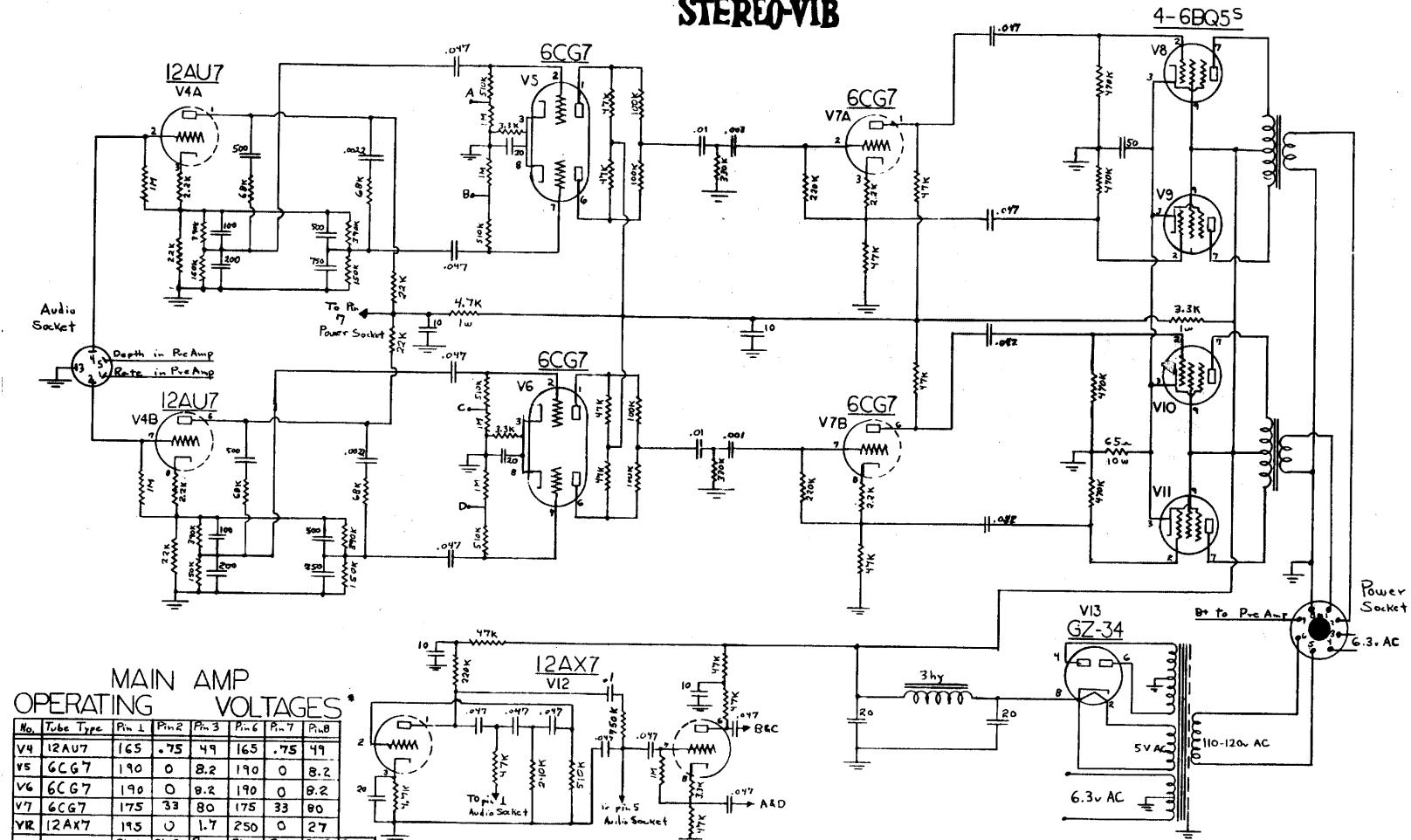
**MAIN AMP OPERATING VOLTAGES**

No.	Tube Type	Pin 1	Pin 2	Pin 3	Pin 6	Pin 7	Pin 8
V4	12AU7	165	.75	49	165	.75	49
V5	6CG7	190	0	8.2	190	0	8.2
V6	6CG7	190	0	8.2	190	0	8.2
V7	6CG7	175	33	80	175	33	80
V12	12AX7	195	0	1.7	250	0	27
		Pin 2	Pin 3	Pin 4	Pin 6	Pin 7	Pin 8
V8	6BQ5	0	10.8	—	—	308	—
V9	6BQ5	0	10.8	—	—	308	—
V10	6BQ5	0	10.8	—	—	308	—
V11	6BQ5	0	10.8	—	—	308	—
V13	GZ-34	5 AC	—	310 AC	310 AC	—	322

\*ALL DC VOLTAGES MEASURED TO CHASSIS WITH 20000 OHM PER VOLT METER.

(- JUNE 1959 -)  
GIVE TO KEITH L.

## GA-83S STEREO-VIB

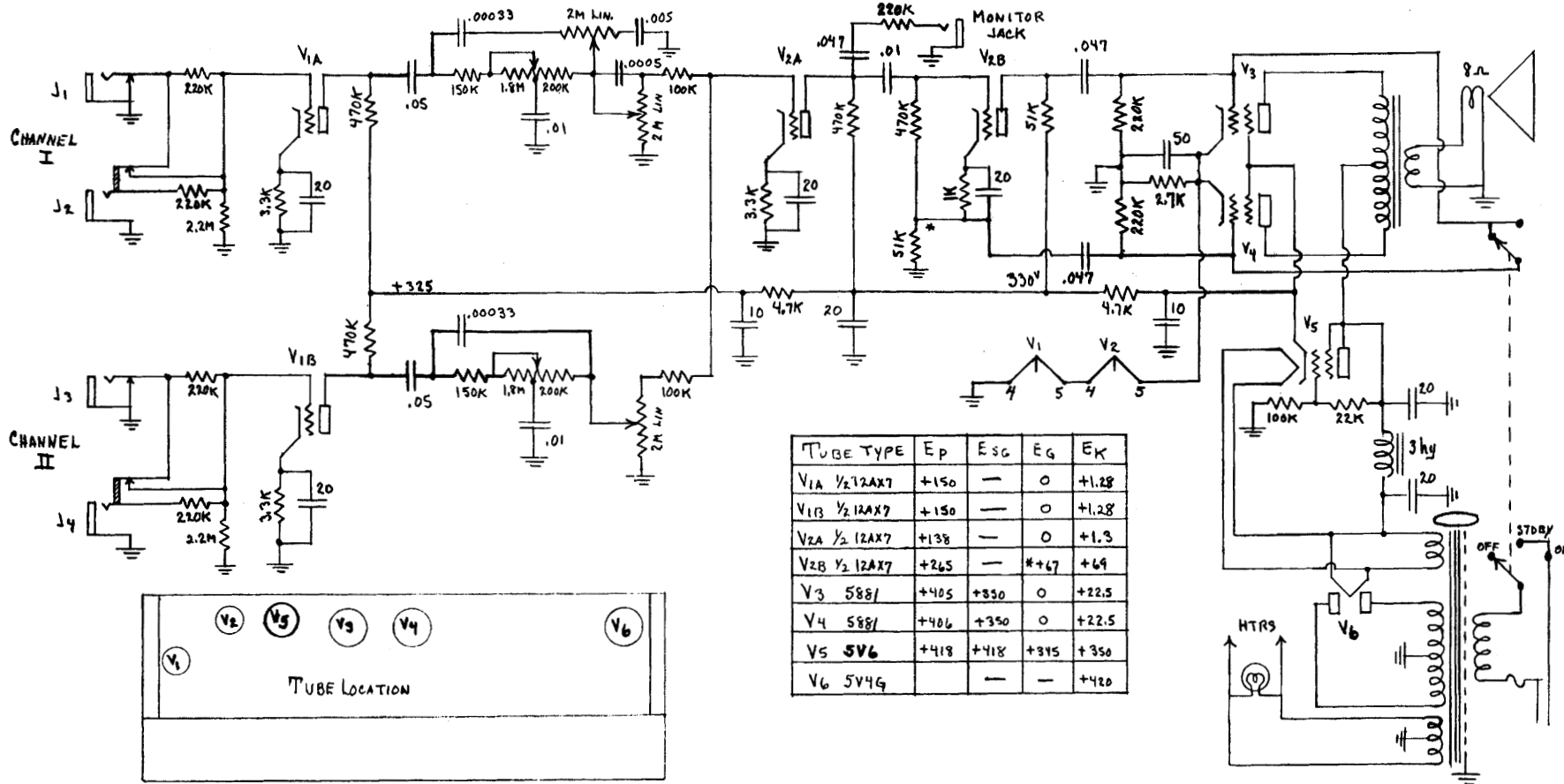


### MAIN AMP OPERATING VOLTAGES

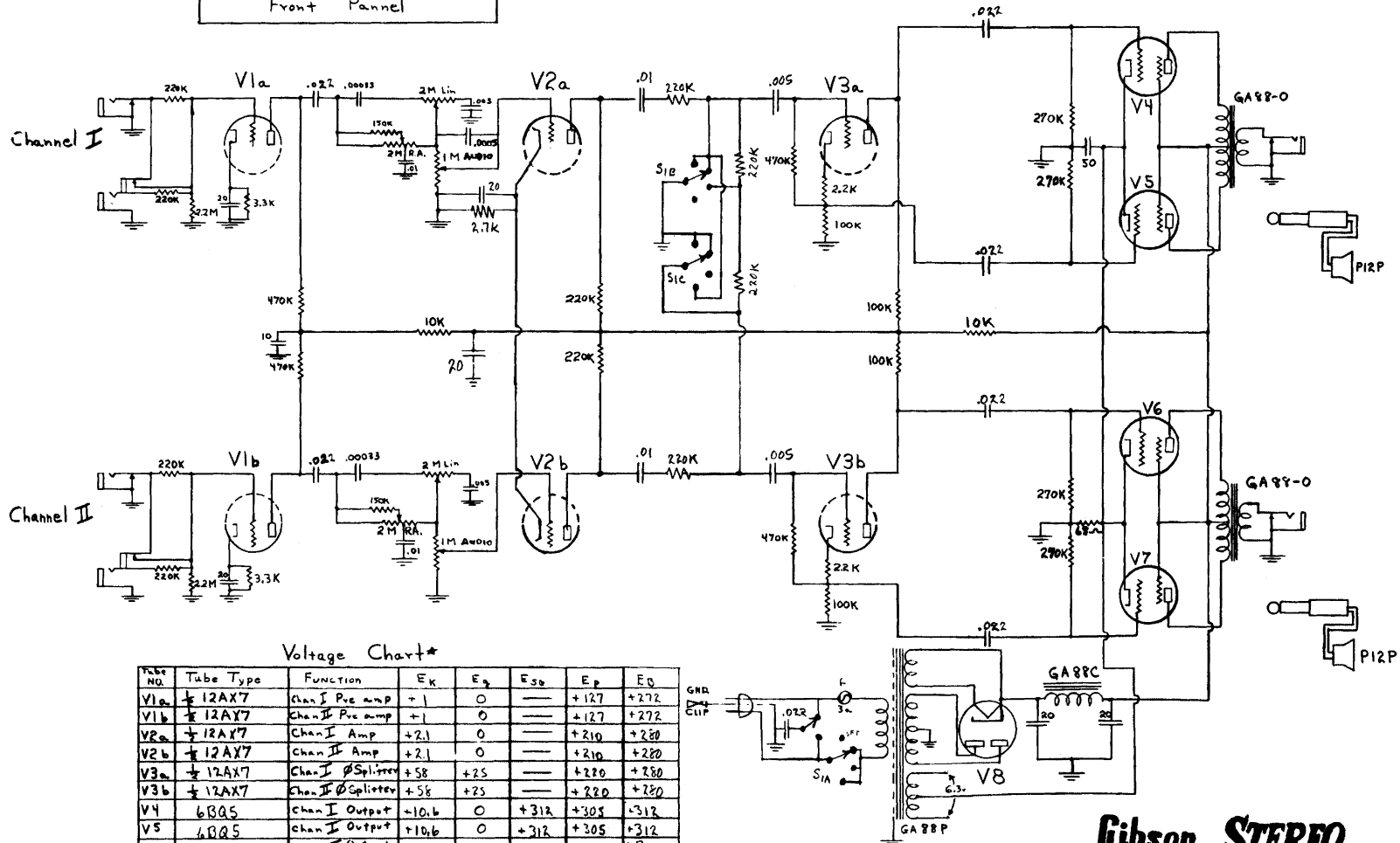
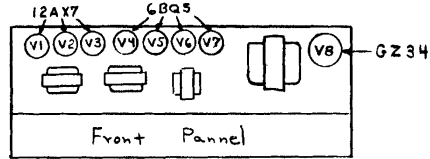
No.	Tube Type	Pin 1	Pin 2	Pin 3	Pin 6	Pin 7	Pin 8	
V4	12AU7	165	.75	49	165	.75	49	
V5	6CG7	190	0	8.2	190	0	8.2	
V6	6CG7	190	0	8.2	190	0	8.2	
V7	6CG7	175	33	80	175	33	80	
V12	12AX7	195	0	1.7	250	0	27	
		Pin 2	Pin 3	Pin 4	Pin 6	Pin 7	Pin 9	
V8	6BQ5	0	10.8	—	—	308	—	315
V9	6BQ5	0	10.8	—	—	308	—	315
V10	6BQ5	0	10.8	—	—	308	—	315
V11	6BQ5	0	10.8	—	—	308	—	315
V13	GZ-34	5 AC	—	310 AC	310 AC	—	—	322

\*ALL DC VOLTAGES MEASURED TO CHASSIS  
WITH 20,000 OHM PER VOLT METER.

GA-85







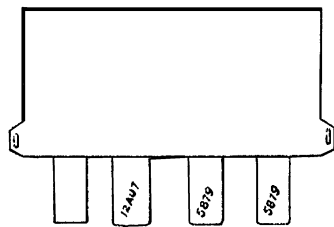
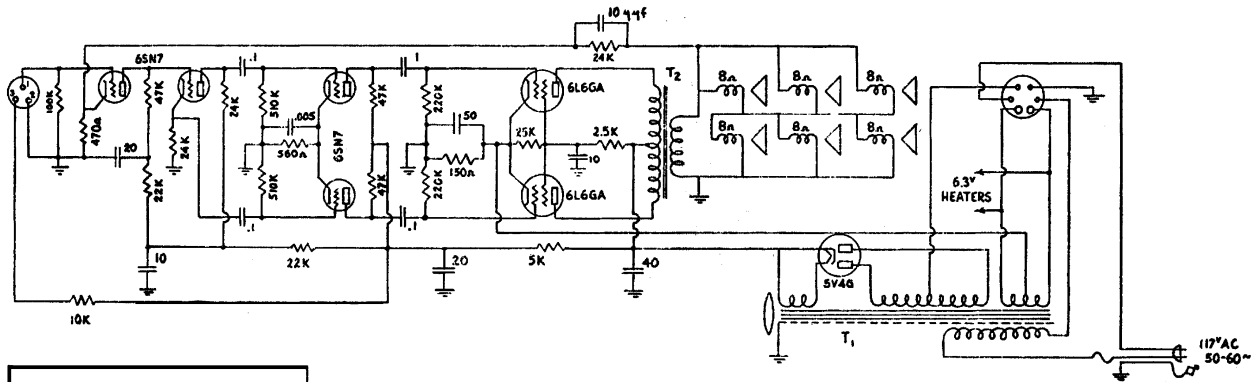
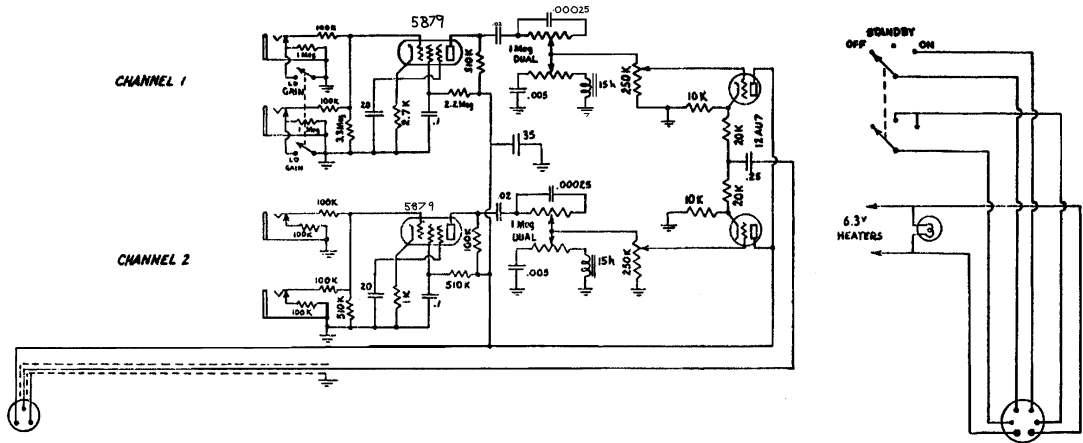
Voltage Chart\*

Tube No.	Tube Type	Function	E <sub>K</sub>	E <sub>g</sub>	E <sub>g2</sub>	E <sub>p</sub>	E <sub>b</sub>
V1a	12AX7	Chan I Pre amp	+1	0	—	+127	+272
V1b	12AX7	Chan II Pre amp	+1	0	—	+127	+272
V2a	12AX7	Chan I Amp	+2.1	0	—	+210	+280
V2b	12AX7	Chan II Amp	+2.1	0	—	+210	+280
V3a	12AX7	Chan I Splitter	+58	+25	—	+220	+280
V3b	12AX7	Chan II Splitter	+58	+25	—	+220	+280
V4	6BQ5	Chan I Output	-10.6	0	+312	+305	+312
V5	6BQ5	Chan II Output	+10.6	0	+312	+305	+312
V6	6BQ5	Chan I Output	+10.6	0	+312	+305	+312
V7	6BQ5	Chan II Output	+10.6	0	+312	+305	+312
V8	GZ34	Rect.	+320	—	—	310	310

\* VOLTAGES TO CHASSIS WITH 20,000-Ω/V METER

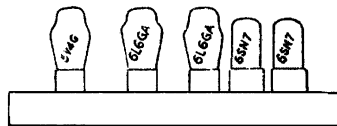
Gibson STEREO  
88-S





PRE-AMPLIFIER

TUBE LAYOUT



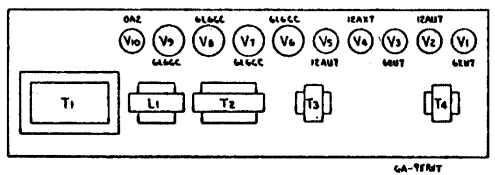
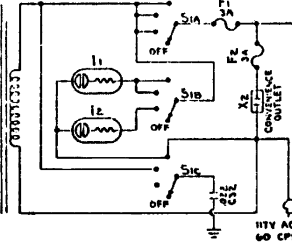
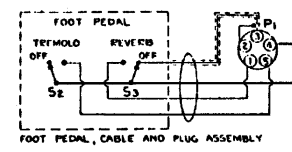
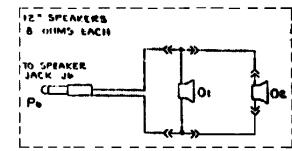
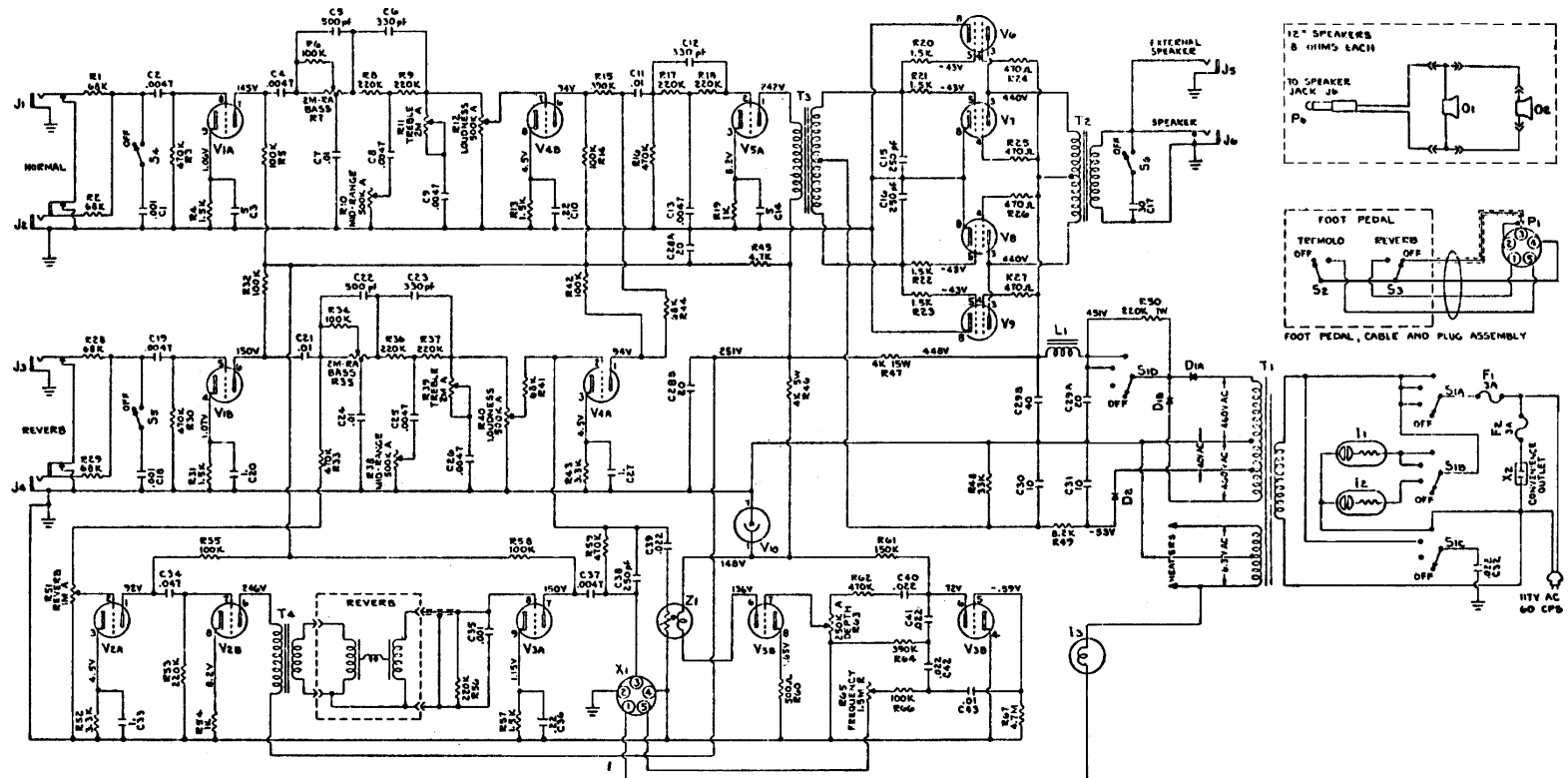
MAIN AMPLIFIER

LETTER	WAS	DATE	SCALE
			30-RED
			HEAT TREAT.
			FINISH
			DRAWN S.E.L. CHECKED

GIBSON, INC.  
KALAMAZOO, MICH.  
DATE 18 AUG. 53

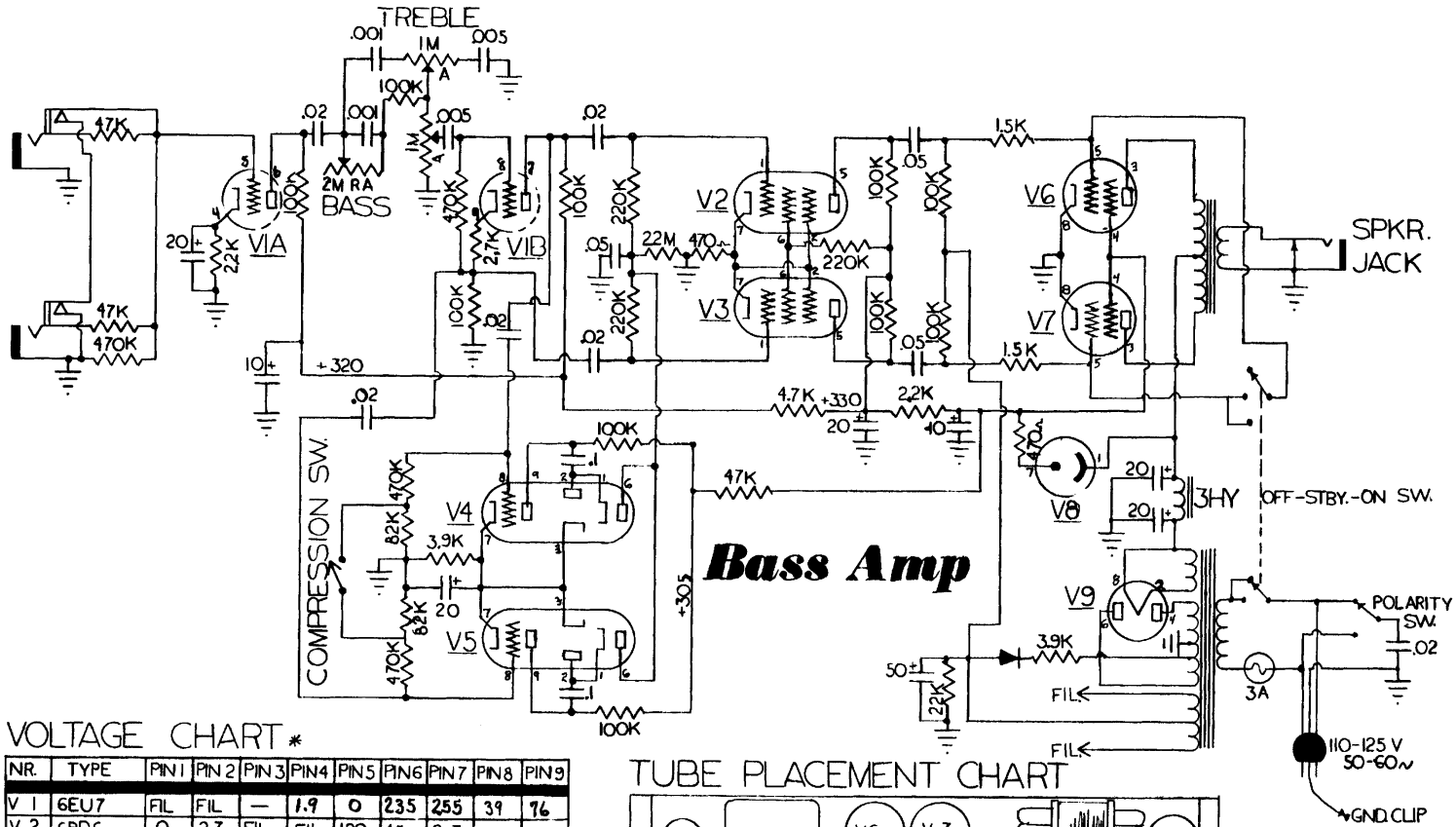
PART NAME	KIND	MATERIAL	AMOUNT	MATERIAL
SCHEMATIC DIAGRAM GA 90				

GA-95 "APOLLO"



- |             |                          |          |                    |                                |                |
|-------------|--------------------------|----------|--------------------|--------------------------------|----------------|
| T1          | Power Transformer        | TF-103P  | DIA, D1B           | Diode - 1200 PIV               | DI-57          |
| T2          | Output Transformer       | TF-503-0 | D2L                | Diode - 200 PIV                | DI-405         |
| T3          | PP Driver Transformer    | TF-1001D | Z1                 | Foot Pedal Socket              | CH-78FCG-5     |
| T4          | Reverb Transformer       | TF-EK400 | Z2                 | Convenience Outlet             | CH-303         |
| L1          | Filter Choke             | TF-100QC | R39                | Control - 2 meg audio w/switch | CDA-4005-1     |
| SA, B, C, D | Switch SPST              | SW-78A-1 | R10, R12, R13, R14 | Control - 500K audio           | CDA-4007       |
| S2          | Switch SPST              | SW-82H03 | R15                | Control - 250K audio           | CDA-4008       |
| S3          | Switch SPDT              | SW-82L22 | R11                | Control - 2 meg, audio         | CBA-811-37C2-1 |
| S4, S5      | Switches SPDT Slide      | SW-129   | R51                | Control - 1 meg, audio         | CBA-811-3709-1 |
| I1          | Pilot Light (Red)        | PL-37R   | R65                | Control - 1.5 meg, RA          | CBA-811-3711-1 |
| I2          | Pilot Light (Amber)      | PL-38A   | R7, R35            | Control - 2 meg, RA            | CBA-513-222-1  |
| I3          | Pilot Light (Red) w/clip | PL-34R   | Q1, C2             | Speakers - 12" 8 ohms each     | S-20011        |

GA-100



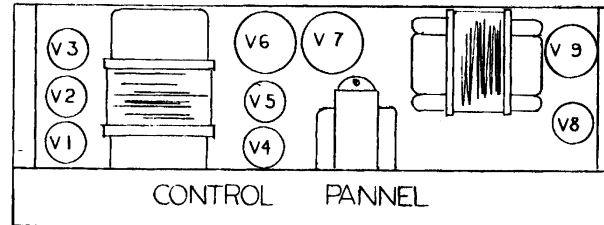
**Bass Amp**

VOLTAGE CHART \*

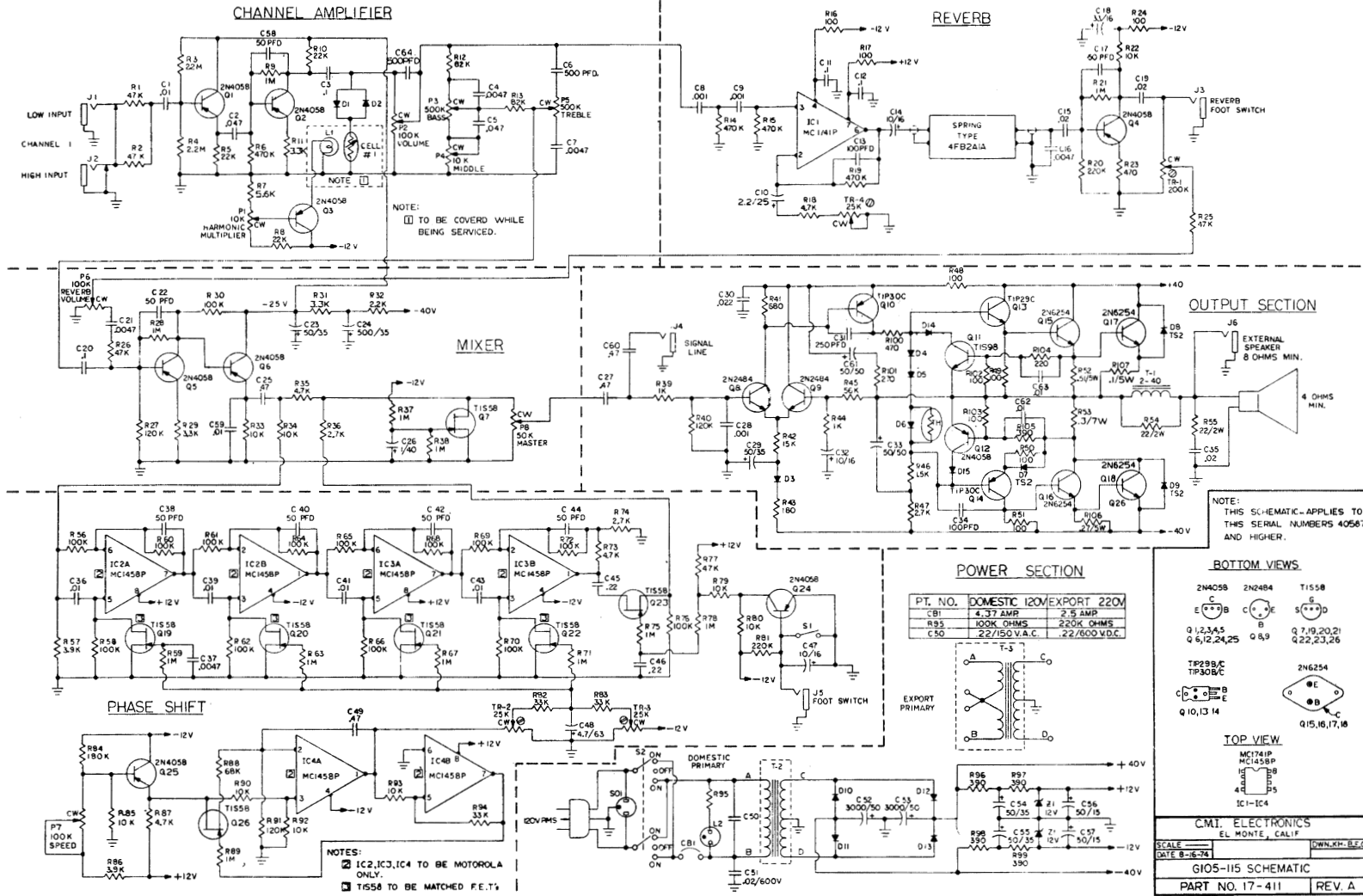
NR.	TYPE	PIN 1	PIN 2	PIN 3	PIN 4	PIN 5	PIN 6	PIN 7	PIN 8	PIN 9
V 1	6EU7	FIL	FIL	—	1.9	0	235	255	39	76
V 2	6BD6	0	2.7	FIL	FIL	120	45	2.7	—	—
V 3	6BD6	0	2.7	FIL	FIL	120	45	2.7	—	—
V 4	6FM8	1.6	1.6	3.8	FIL	FIL	0	3.8	0	260
V 5	6FM8	1.6	1.6	3.8	FIL	FIL	0	3.8	0	260
V 6	6L6 GC	GND	FIL	423	345	-38	—	FIL	GND	—
V 7	6L6 GC	GND	FIL	423	345	-38	—	FIL	GND	—
V 8	OC2	425	—	—	—	—	—	350	—	—
V 9	GZ 34	GND	FIL	—	350 <sub>ac</sub>	—	350 <sub>ac</sub>	—	430	—

\* ALL DC VOLTAGES MEASURED TO CHASSIS WITH V.T.V.M.

TUBE PLACEMENT CHART



CONTROL PANNEL

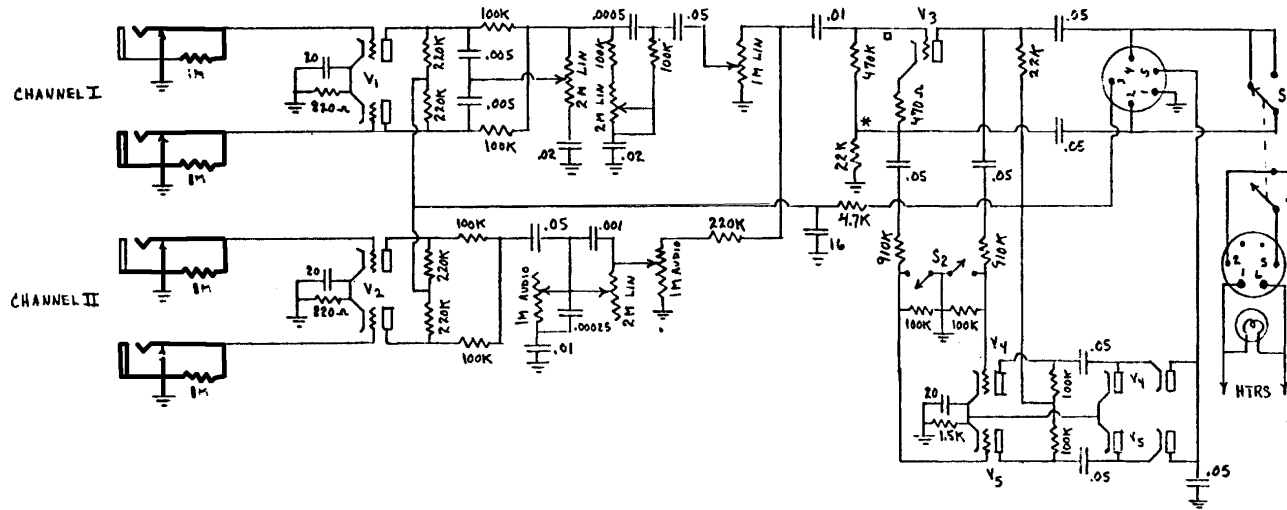


Replaced  
2N2484's  
Marty Ellis 8/27/77

ED GEISE  
- TECH -

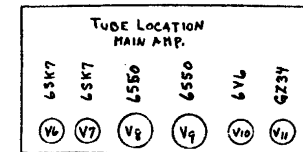
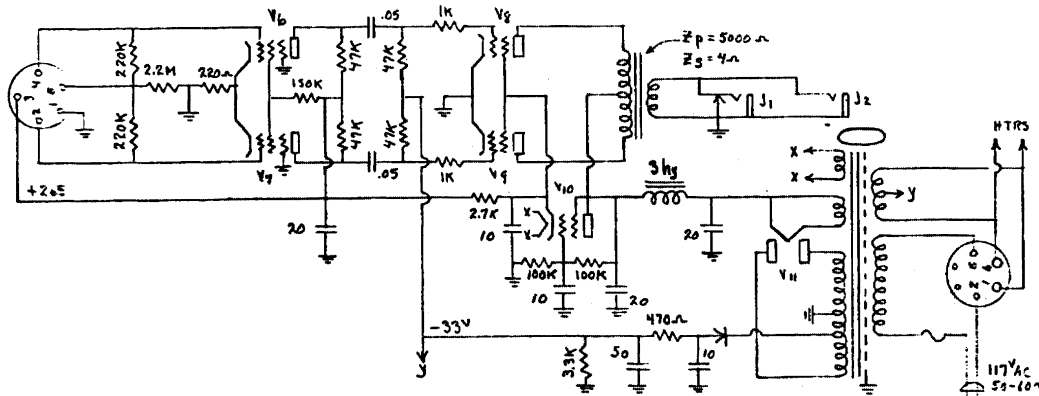
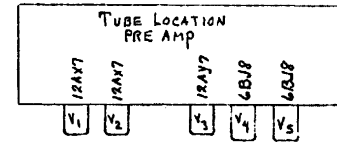
GIBSON  
MODEL # G105

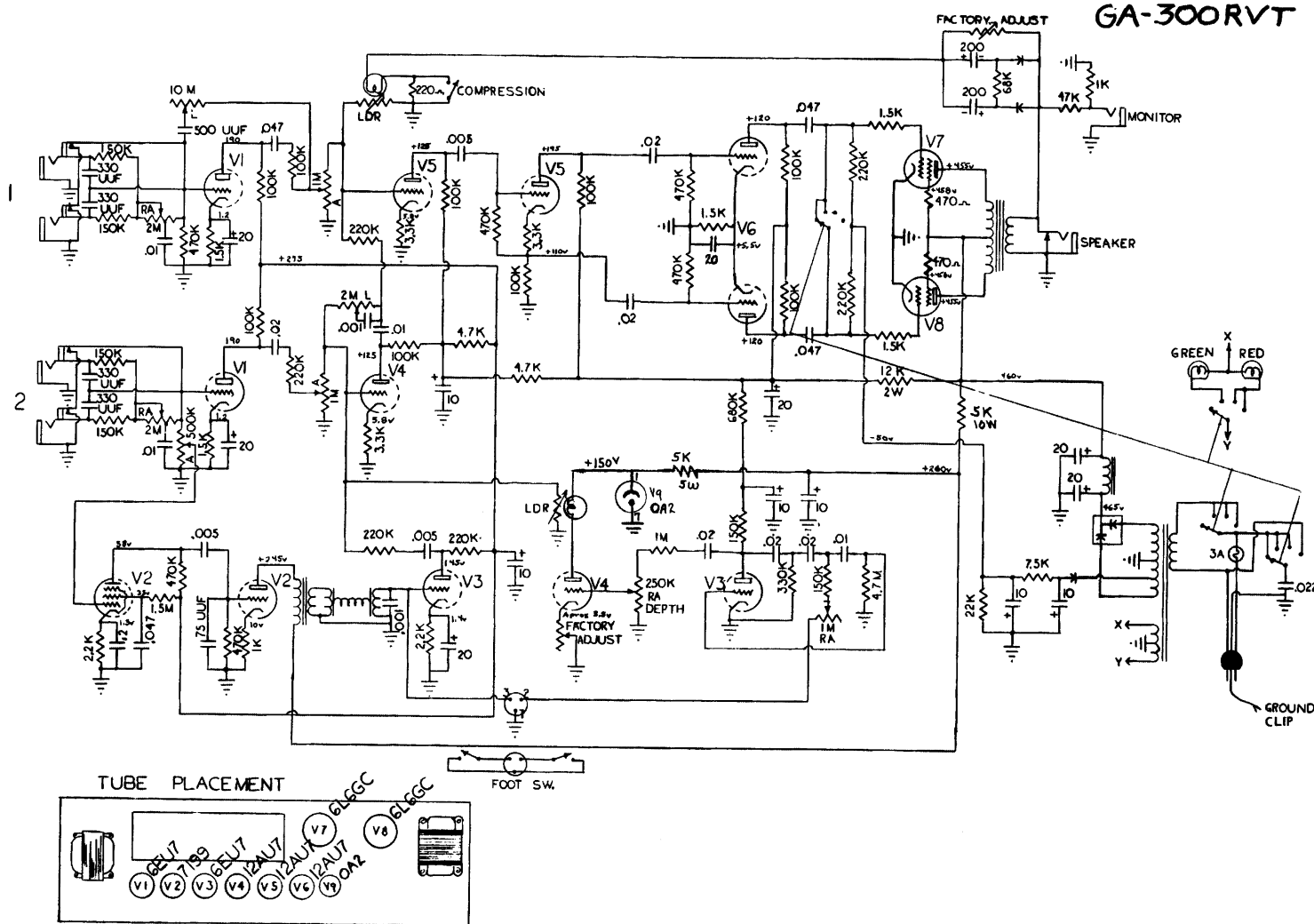
GA-200



Tube Type	use	E <sub>p</sub>	E <sub>sg</sub>	E <sub>g</sub>	E <sub>k</sub>
V1	12AX7 CHAN I PREAMP	+135	—	0	+1.15
V2	" " " "	+120	—	0	+1.1
V3	12AX7 PHASE SPLITTER	+210	—	0	+6.4
V4	6BJ8 COMP AMP + RECT	+110	—	0	+4.9
V5	" " " "	+110	—	0	+4.9
V6	6SK7 DRIVER + COMP.	+145	+42	-1	+1.5
V7	" " " "	+145	+42	-1	+1.5
V8	6SS0 PWR AMP	+570	+300	+93	0
V9	" " " "	+570	+300	-33	0
V10	6V6 VOLTAGE REG.	+570	+570	+285	+300
V11	6Z34 RECTIFIER	470' RHS	—	—	+580

ALL DC READINGS WITH 11 MEG VTVM MEASURED TO CHASSIS





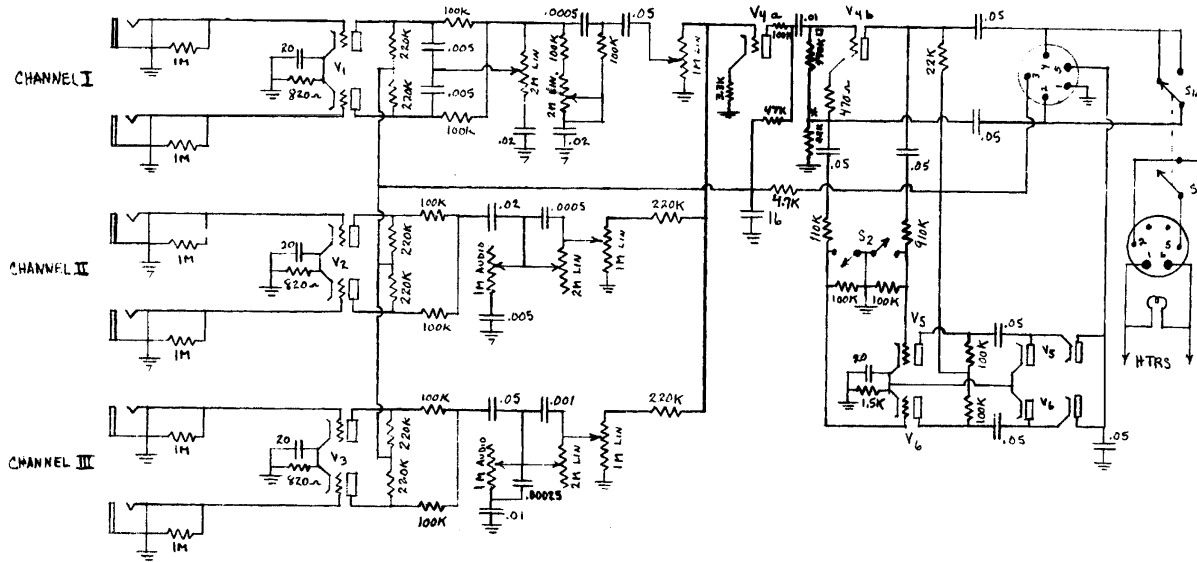
**FUSE**

The fuse used in this Amplifier is a type 3AG of three amperes rating. DO NOT USE FUSES OF HIGHER RATING

**SERVICE**

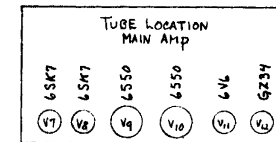
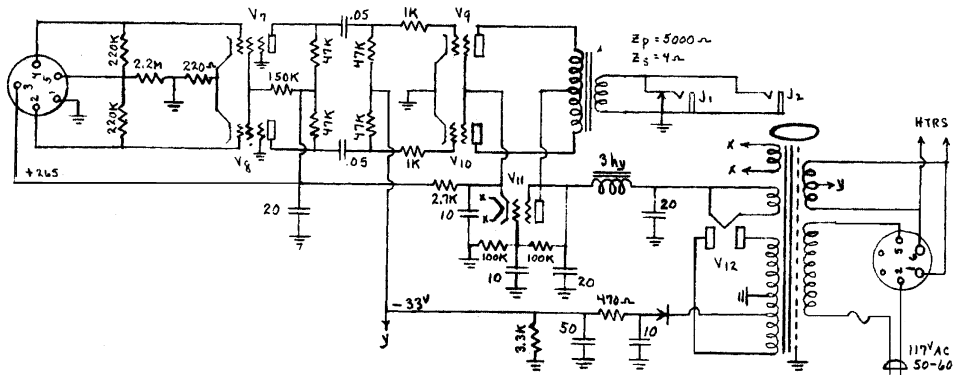
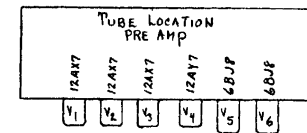
If the amplifier is in need of servicing, it should be taken to a reliable radio man. The electrical diagram in this folder should be shown the repairman to assist him in servicing the amplifier.

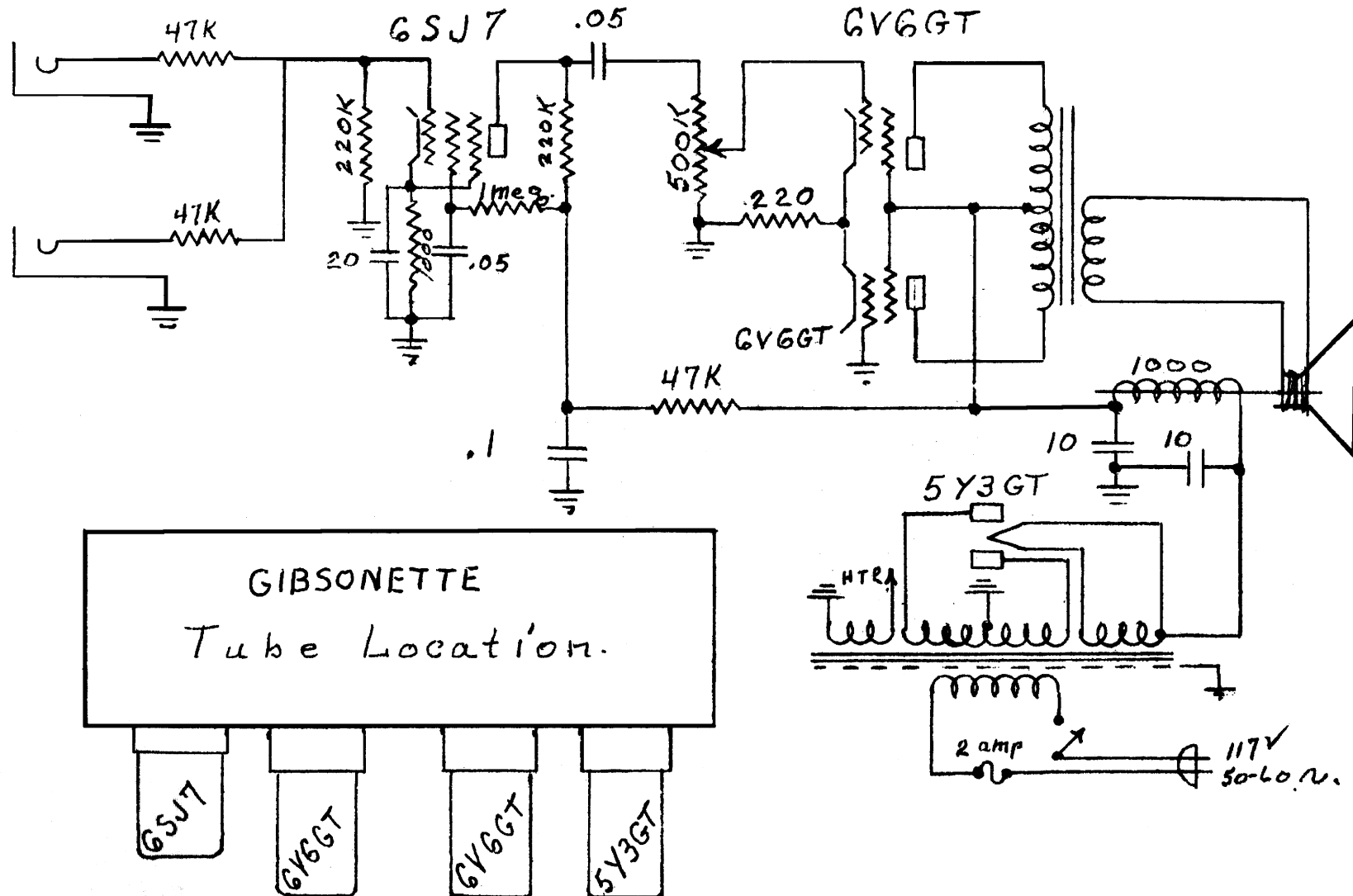
GA-400



Tube	Type	Use	$E_p$	$E_{c1}$	$E_{c2}$	$E_k$
V1	12AX7	CHAN. I PRE AMP	+195	—	0	+115
V2	"	" II " "	+110	—	0	+115
V3	"	" III " "	+105	—	0	+115
V4	12AV7	MIXER AMP	+135	—	0	+225
V5	6BJ6	COMP. AMP + RECT.	+110	—	0	+115
V6	"	" " " "	+110	—	0	+115
V7	6SK7	DRIVER	+145	+42	-1	+115
V8	"	"	+145	+42	-1	+115
V9	6550	PWR AMP	+570	+300	-33	0
V10	"	"	+570	+300	-33	0
V11	6V6	VOLTAGE REG.	+570	+570	+225	+300
V12	GZ3Y	RECTIFIER	470VMS	—	—	+590

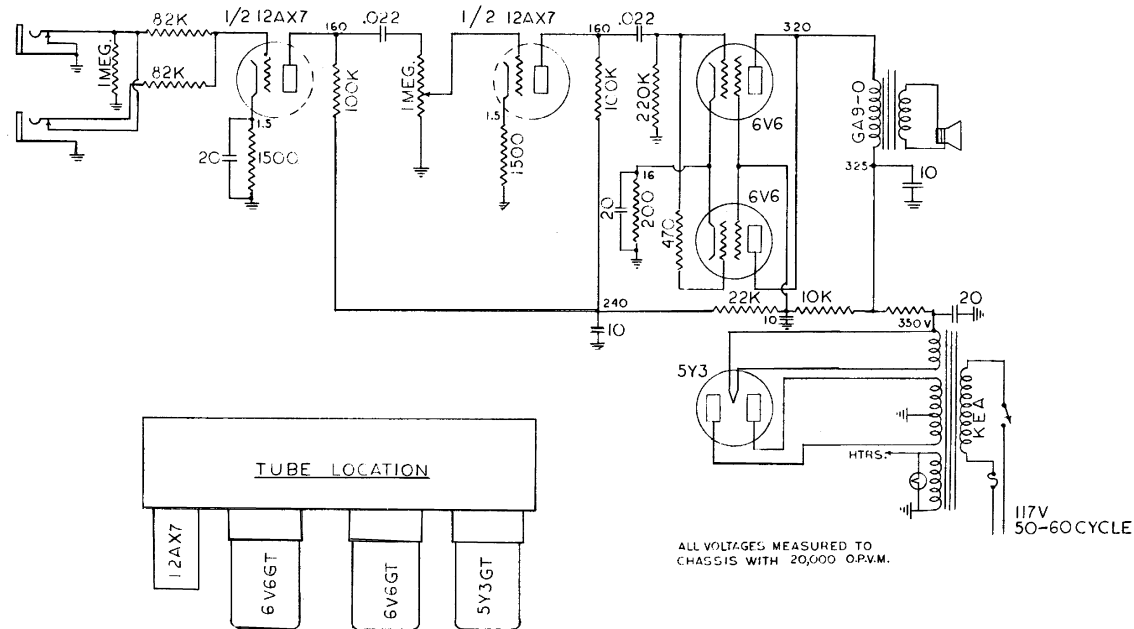
ALL DC READINGS WITH 11 MEG VTVM MEASURED TO CHASSIS







# GIBSONETTE MODEL AMPLIFIER



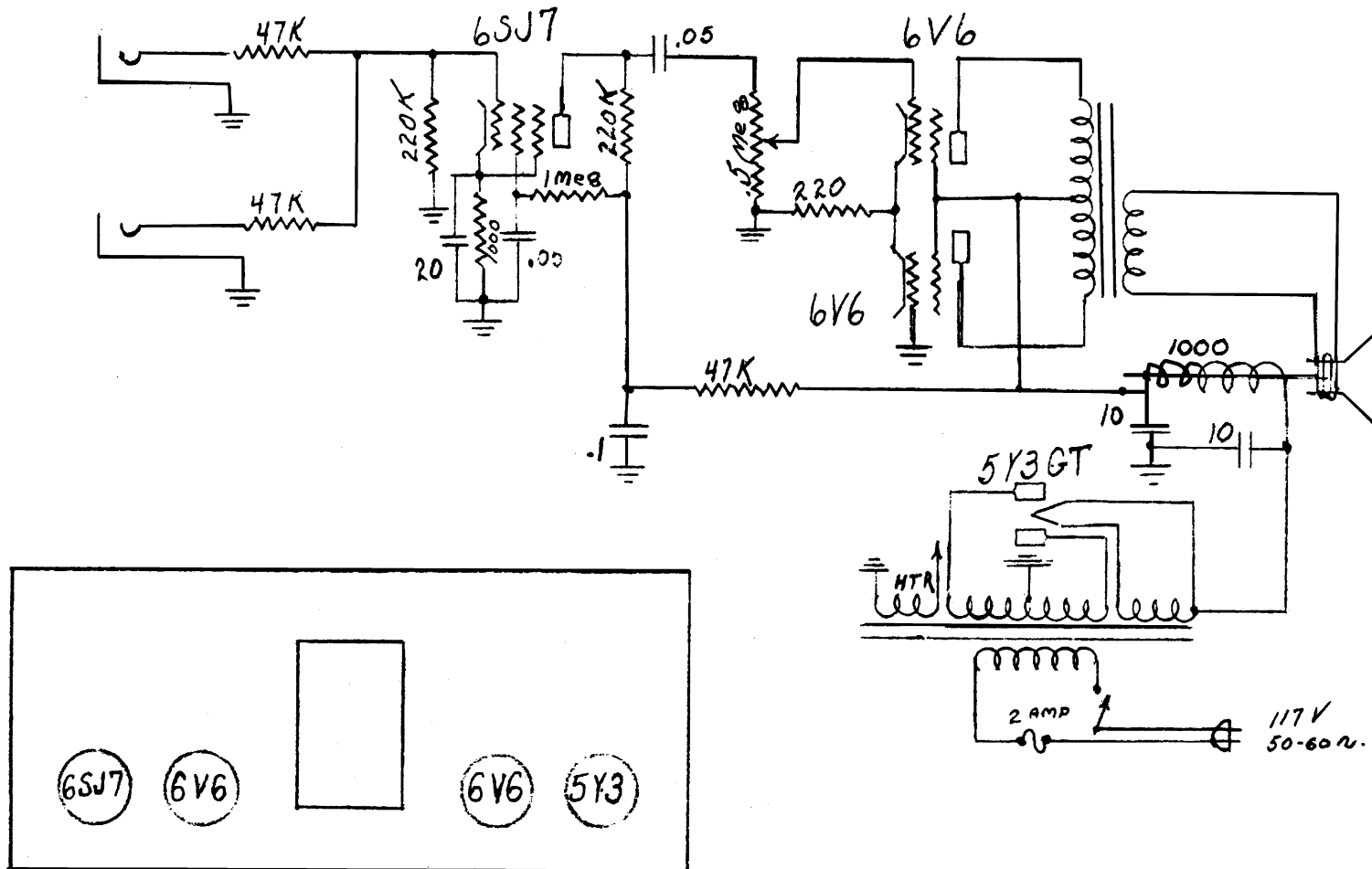
GIBSON INC., KALAMAZOO, MICH.

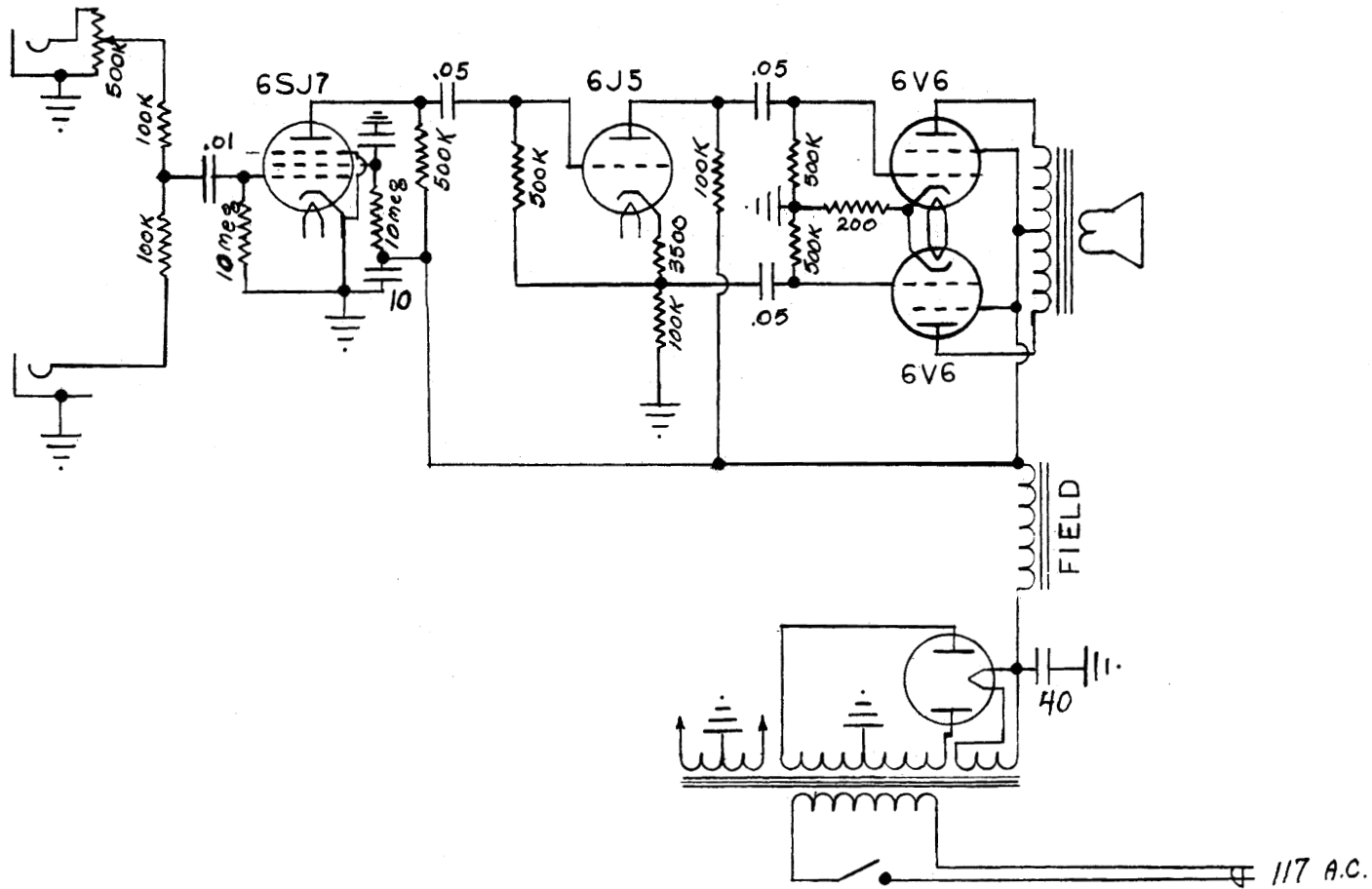


KEA

Gibson

KEA.

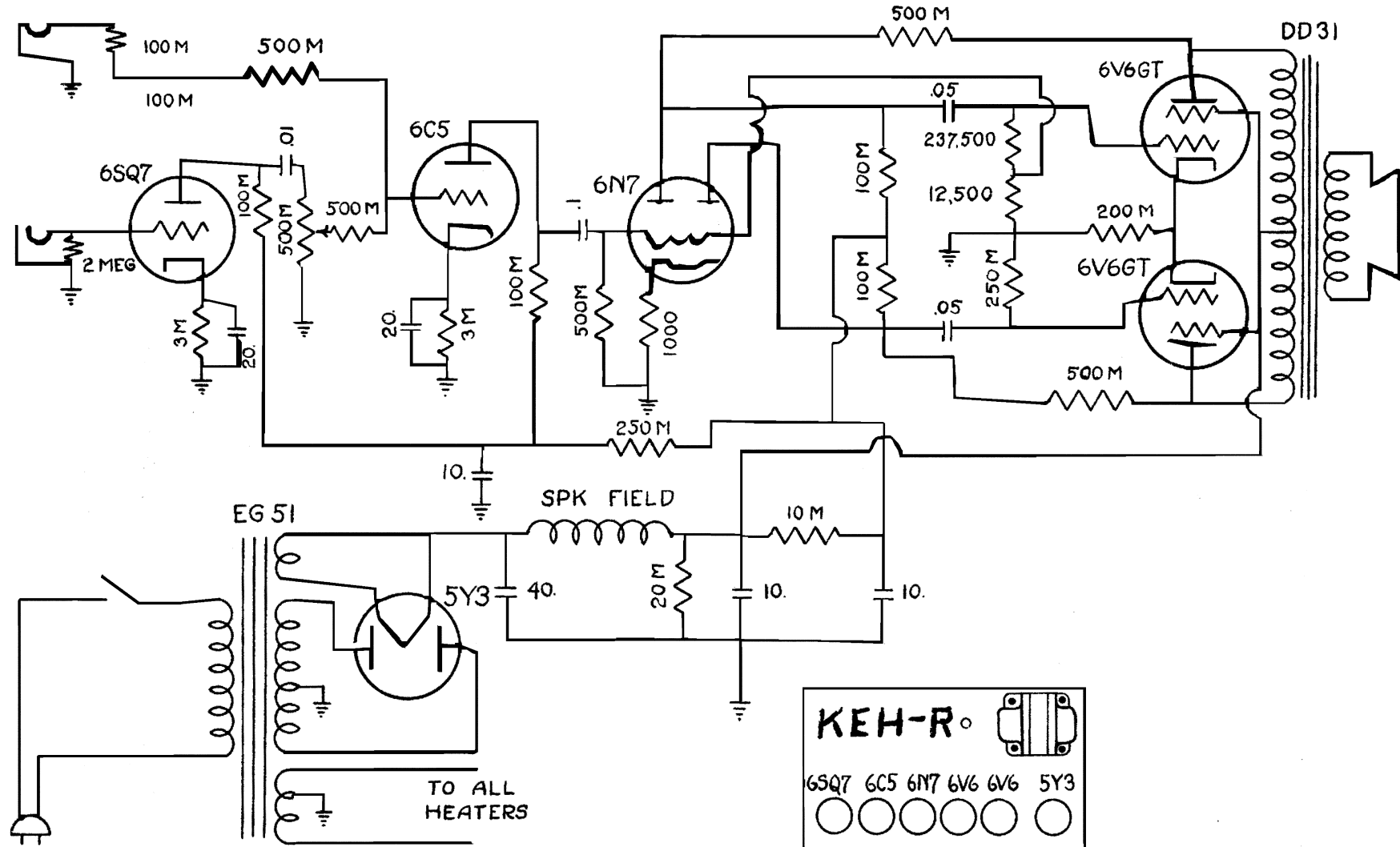




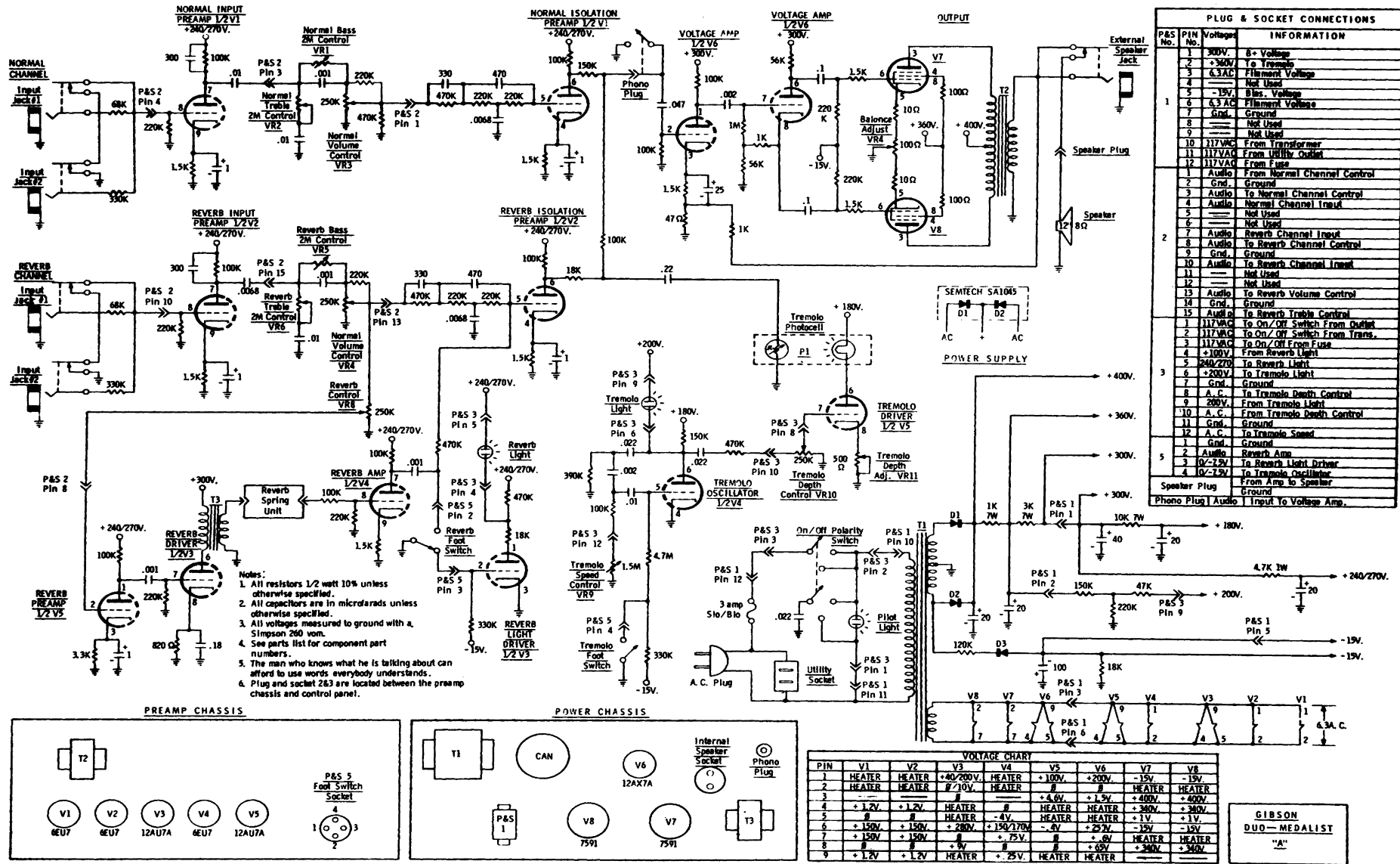
KE H SCHEMATIC  
REDRAWN  
3/5/56  
GIBSON INC.

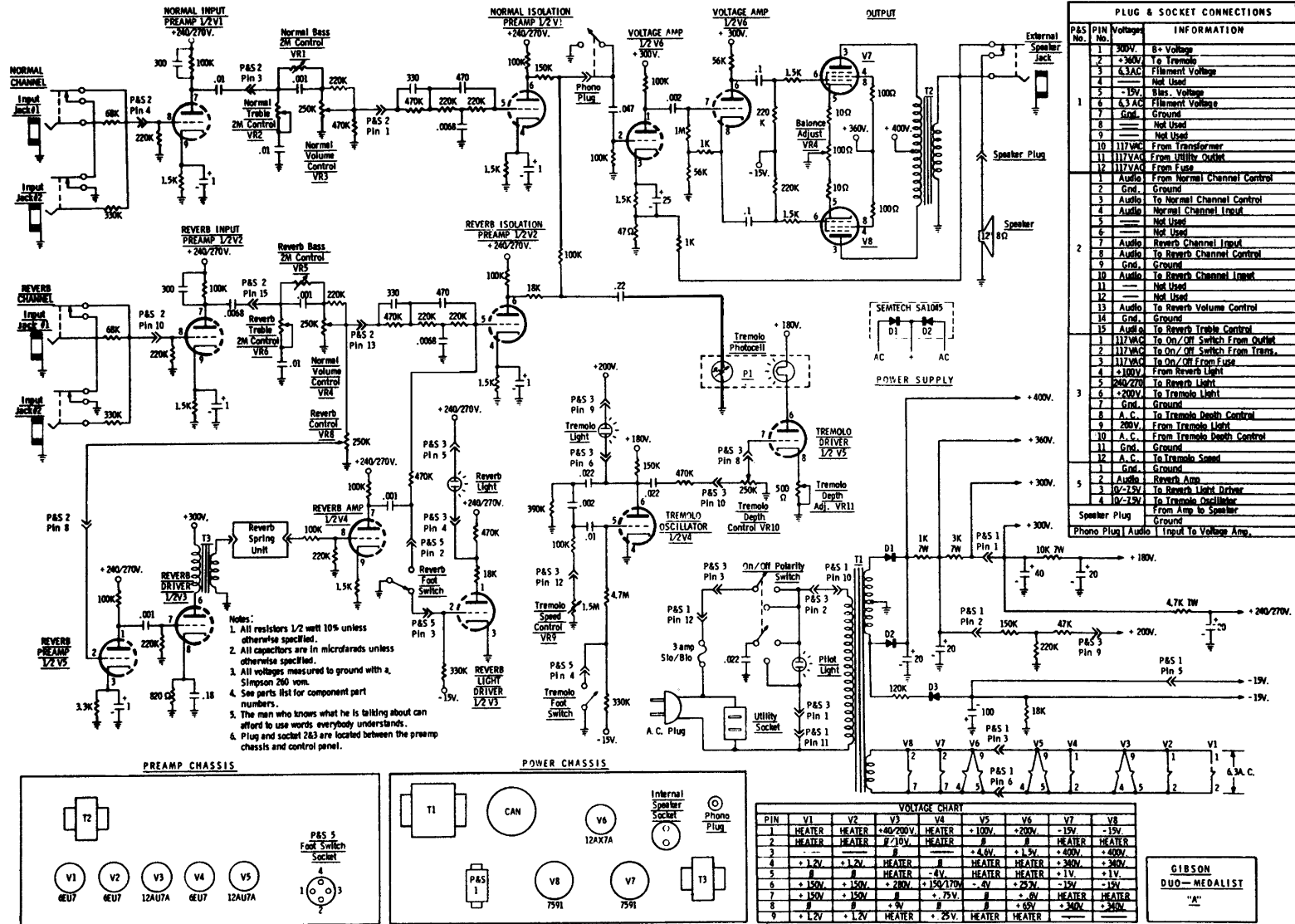
KEH-R

Gibson



FJN

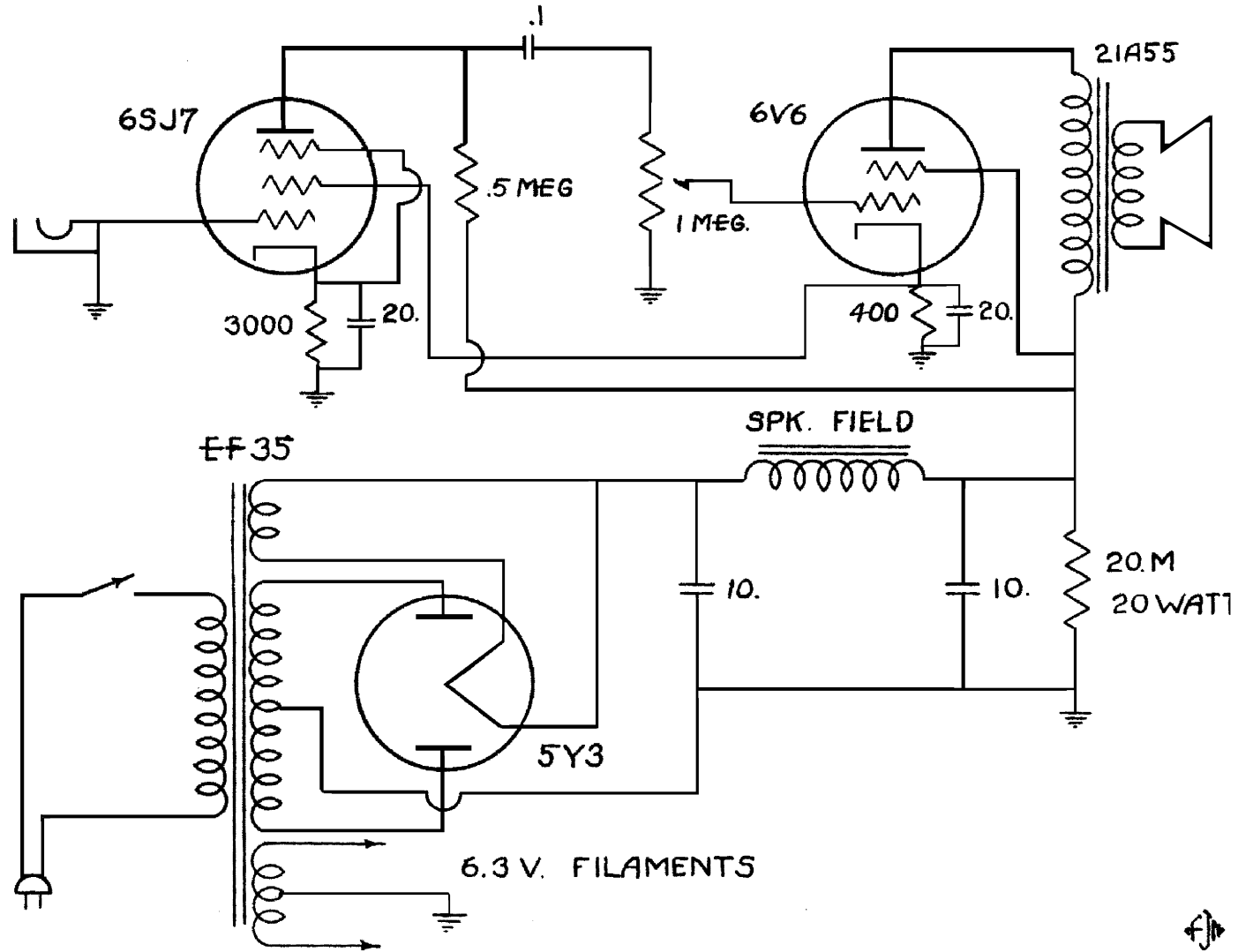


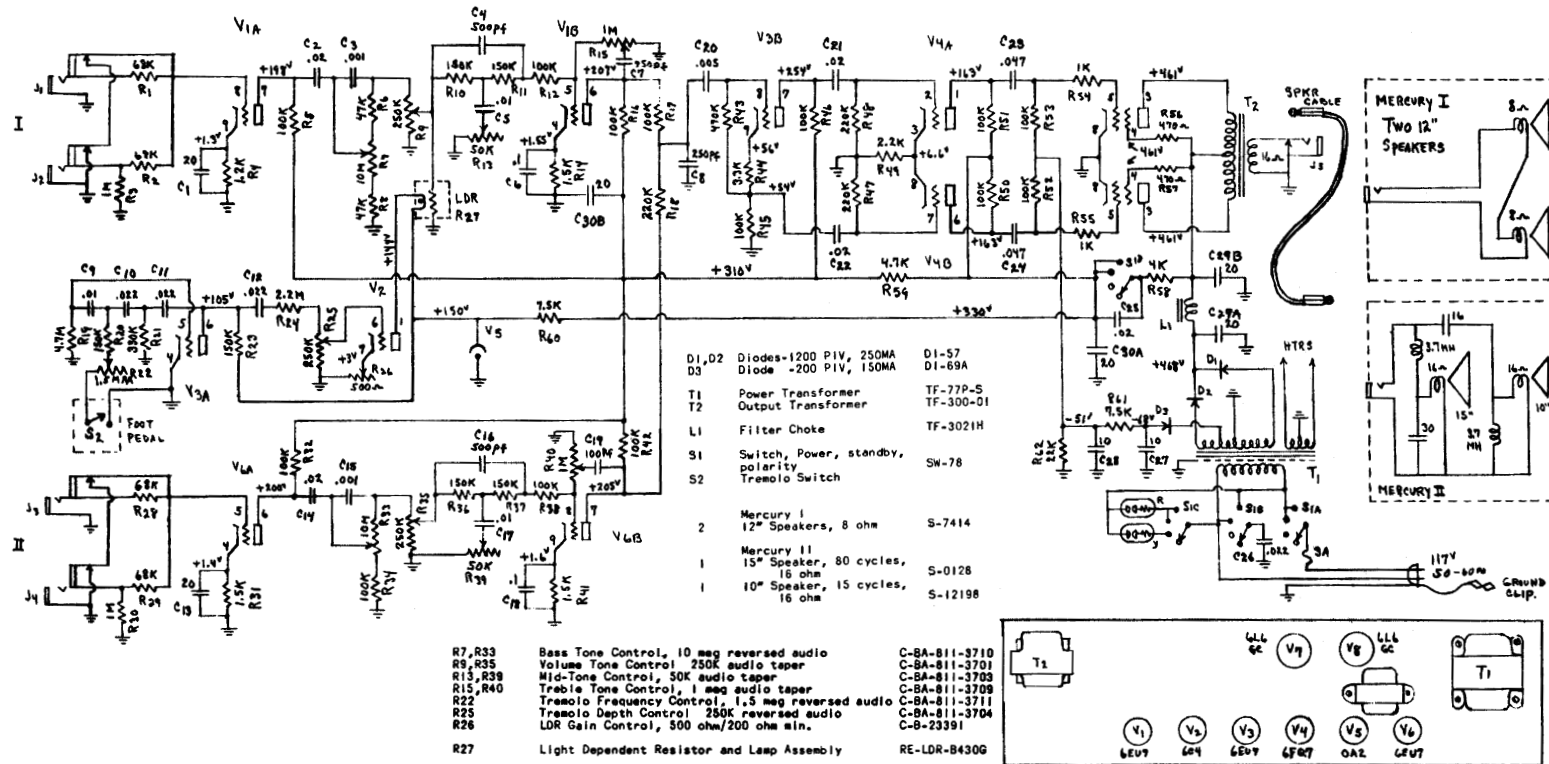






GIBSON MASTERTONE





Mercury I and II

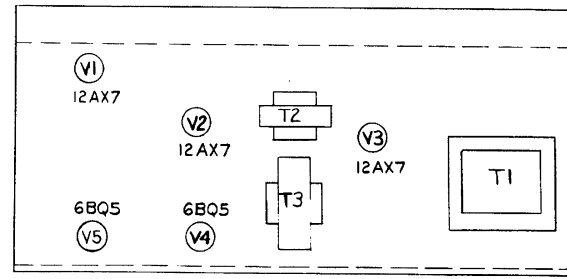
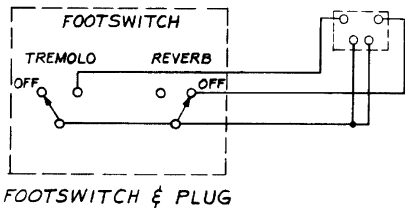
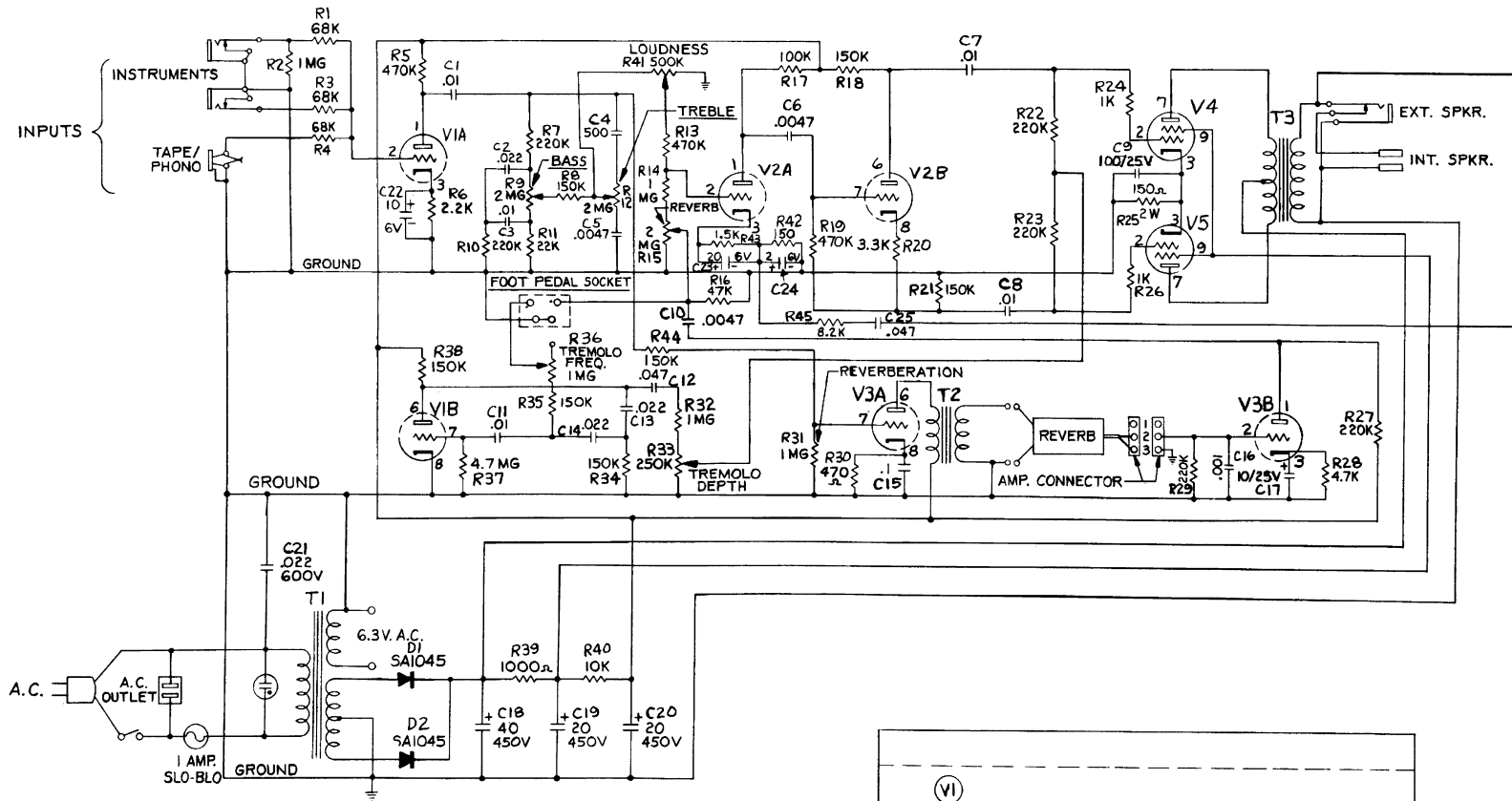
**FUSE**

The fuse used in this Amplifier is a type 3AG of three amperes rating.  
DO NOT USE FUSES OF HIGHER RATING

**SERVICE**

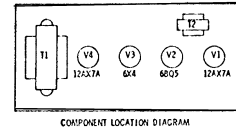
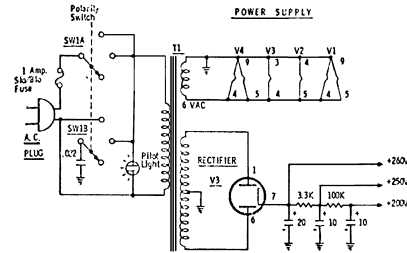
If the amplifier is in need of servicing, it should be taken to a reliable radio man. The electrical diagram in this folder should be shown the repairman to assist him in servicing the amplifier.

REVERB 12 AMPLIFIER



# SKYLARK/TREMOLO

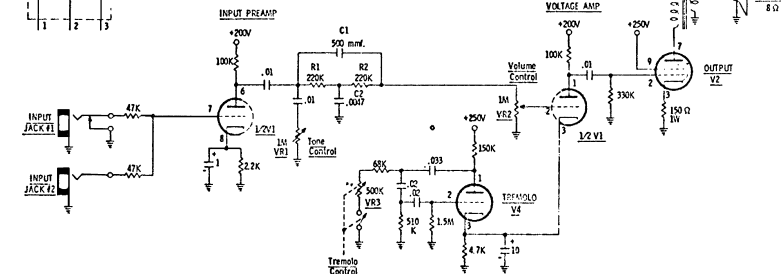
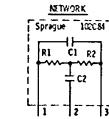
# Gibson



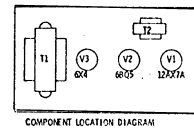
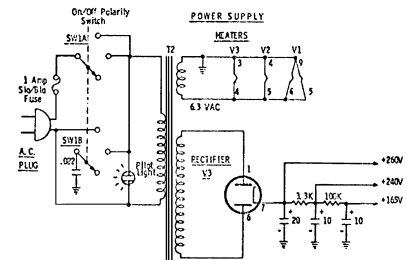
PIN	V1	V2	V3	V4
1	+15V	-	250 VAC	+215V
2	0	0	-	0
3	+2.2V	+1.2V	Heater	250V
4	Heater	Heater	Heater	Heater
5	Heater	Heater	250 VAC	Heater
6	+15V	-	-	-
7	0	+25V	+25V	-
8	+1.6V	-	-	-
9	Heater	+25V	Heater	-

- Pulse

- NOTES:
- All resistors 1/2 watt 10% unless otherwise specified.
  - All capacitors are in microfarads unless otherwise specified.
  - All voltages measured to ground with a Simpson 260 VOM.
  - See parts list for component part nos.

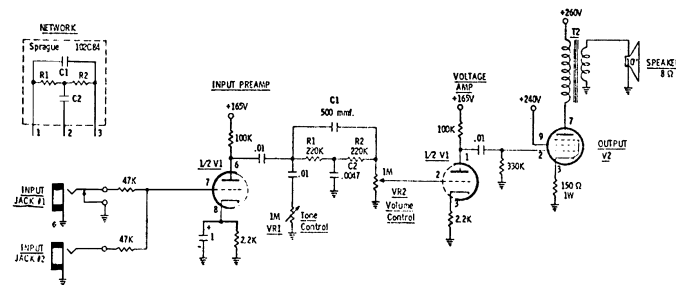
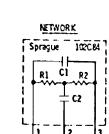


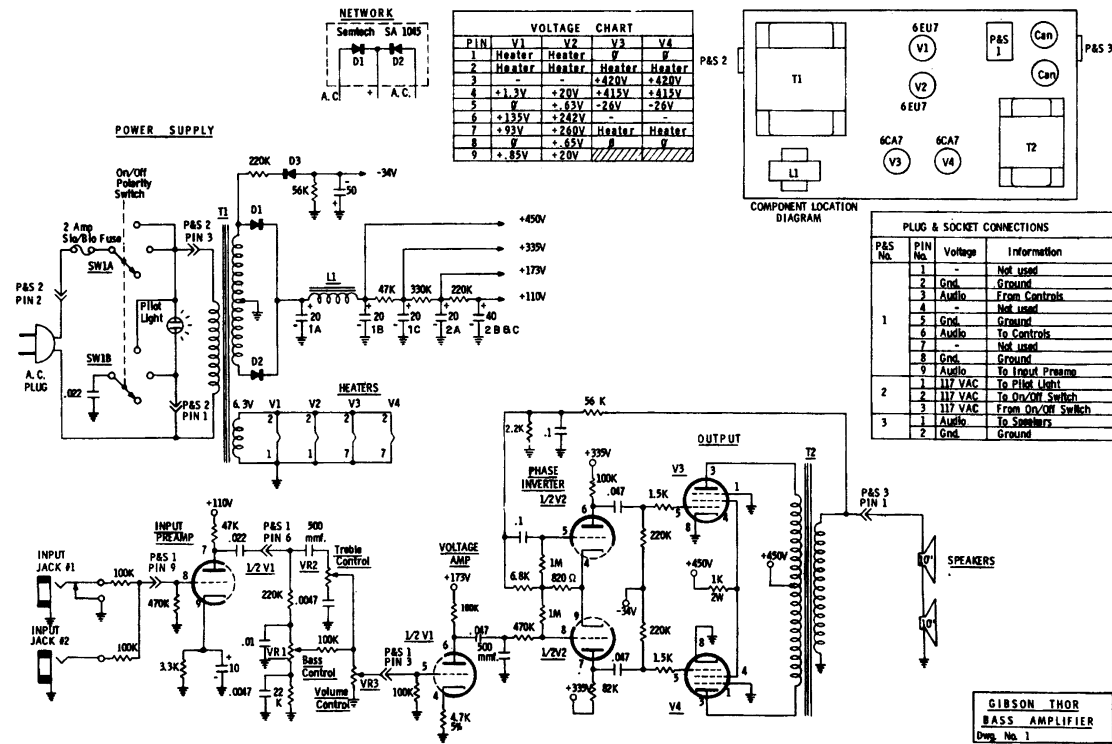
GIBSON  
SKYLARK/TREMOLO  
AMPLIFIER  
Dwg. No. 1



PIN	V1	V2	V3
1	+15V	-	250 VAC
2	0	0	-
3	+1.9V	+2V	Heater
4	Heater	Heater	Heater
5	Heater	Heater	Heater
6	+15V	-	250 VAC
7	0	+15V	+150V
8	+1.9V	-	-
9	Heater	+250V	-

- NOTES:
- All resistors 1/2 watt 10% unless otherwise specified.
  - All capacitors are in microfarads unless otherwise specified.
  - All voltages measured to ground with a Simpson 260 VOM.
  - See parts list for component part nos.





### PARTS LIST

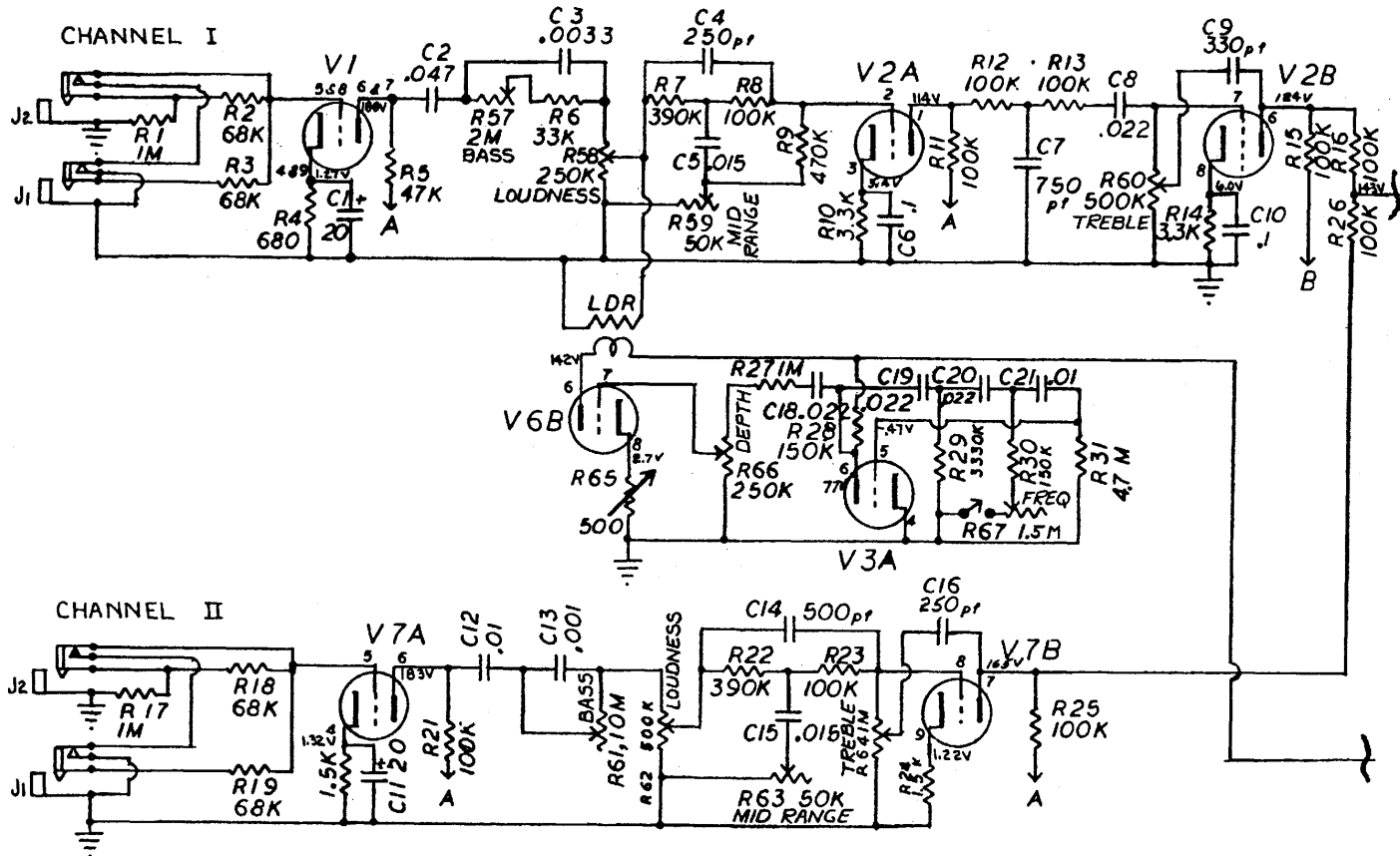
Part	Description	Schematic Reference	Part Number
Transformer	Power.....	T-1.....	954-003622
Transformer	Output.....	T-2.....	955-003623
Choke	.....	L-1.....	956-003624
Diode	Dual Rectifier.....	D1-D2.....	919-012414
Diode	Rectifier.....	D3.....	919-003517
Switch	Polarity.....	SW-1A&B...	960-012430
Speakers	10".....	.....	985-003631
Potentiometer	Volume Control 1 Meg-L.....	.....	925-003525
Potentiometer	Bass Control 2 Meg-L.....	.....	925-003529
Potentiometer	Treble Control 2 Meg-A.....	.....	925-003559
Capacitor	Filter, 50 Mfd 50V.....	.....	945-003627
Capacitor	Filter, 20-20-20-475V.....	C1 AB&C...	945-003626
Capacitor	Filter, 20-20-20-475V.....	C2 AB&C...	945-003626

GIBSON THOR  
BASS AMPLIFIER  
Des. No. 1

# TITAN PREAMP

# Gibson

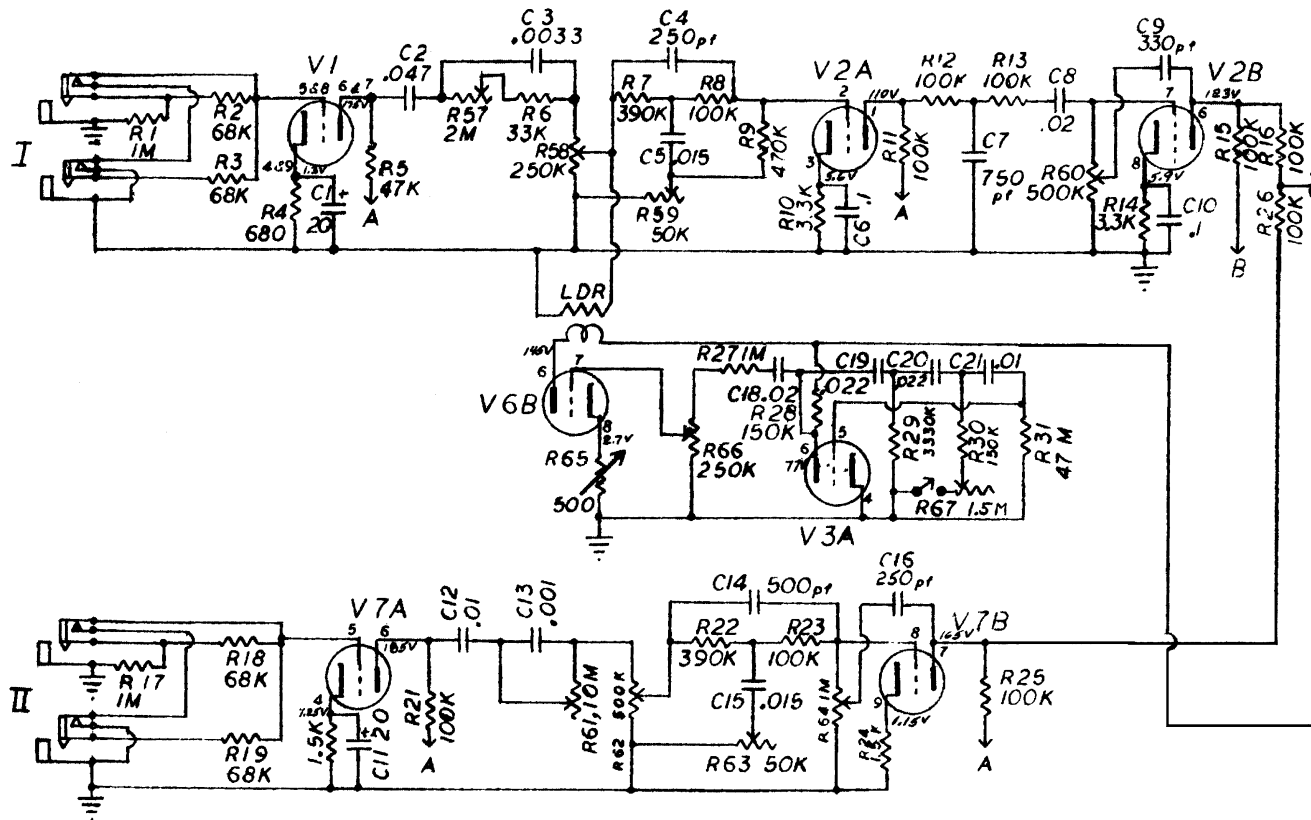
- |       |  |          |         |  |               |
|-------|--|----------|---------|--|---------------|
| T1    | Power Transformer                                  | TF-135P  | R63,R59 | 50K Audio Taper (mid-control) control      | C-BA-811-3703 |
| T2    | Output Transformer                                 | TF-531-0 | R61     | 10 meg reversed audio (bass) control       | C-BA-811-3710 |
| T3    | Auto Transformer - 8 ohm, 16 ohm                   | TF-130A  | R58,R66 | 250K audio taper (volume & depth) control  | C-BA-811-3701 |
| L3    | Filter Choke                                       | TF-3021H | R57     | 2 meg reversed audio (bass) control        | C-BA-811-3751 |
| L1,L2 | Inductances 3.7 mh                                 |          | R62,R60 | 500K audio taper (volume & treble) control | C-BA-811-3707 |
| S1    | Switch - off, standby, on-on                       | SW-78    | R64     | 1 meg audio taper (treble) control         | C-BA-811-3709 |
|       |  |          | R67     | 1.5 meg reversed audio (frequency) control | C-BA-811-3711 |
|       |  |          | R65     | 500 ohm wire wound control                 | C-B-23391     |
| LDR-1 | Light Dependent Resistor Lamp Assembly RE-LDR-430C |          |         |  |               |
| SP2   | (1) Speakers, 15" 16 ohm 3-0127                    |          |         |  |               |
| SP1   | (1) Speakers, 10" 16 ohm 3-7646                    |          |         |  |               |



# TITAN I-III & V

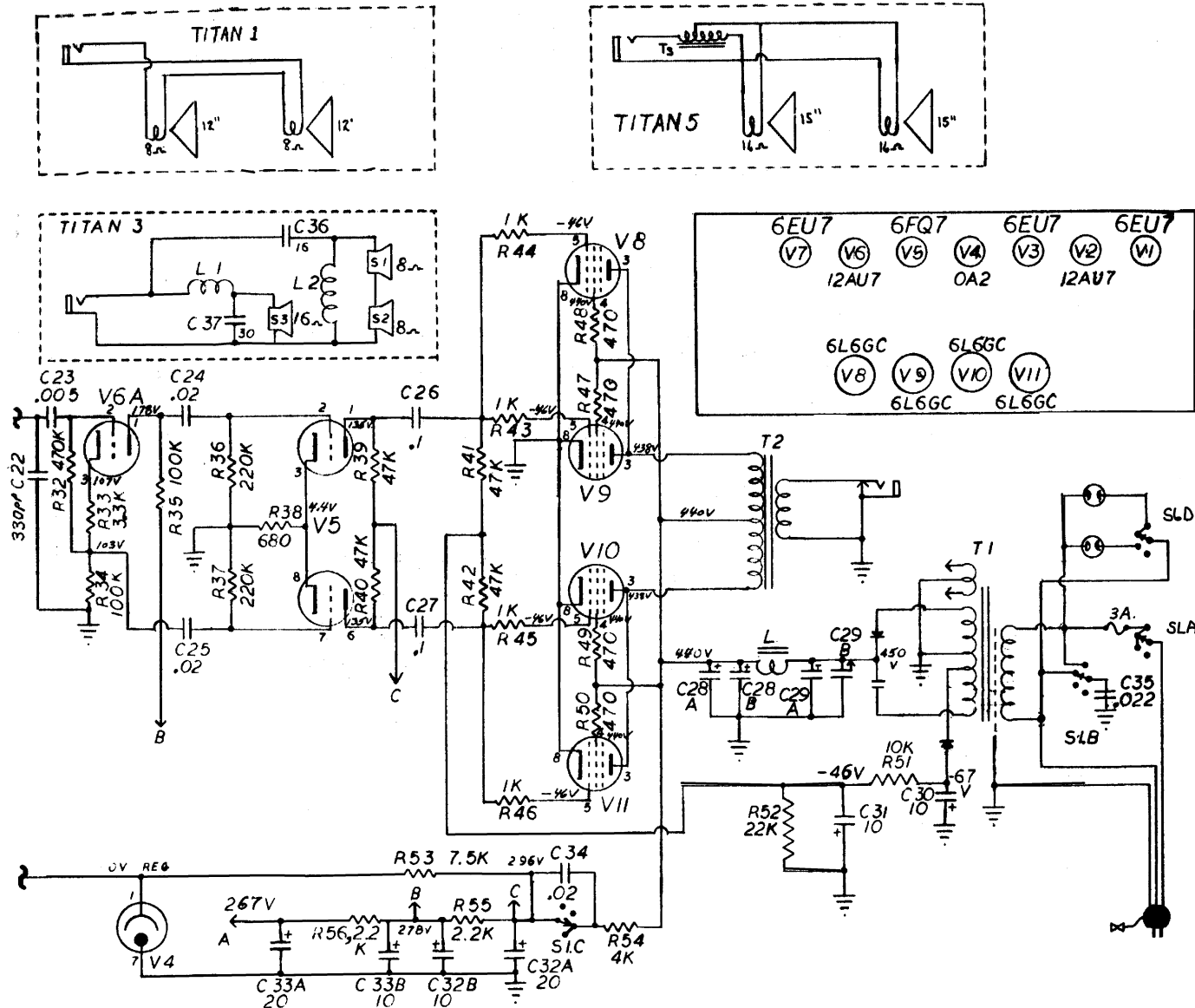
# Gibson

- |        |  |             |          |  |               |
|--------|--|-------------|----------|--|---------------|
| T1     | Power Transformer                      | TF-135P     | R63, R59 | 50K Audio Taper (mid-control) control      | C-BA-811-3703 |
| T2     | Output Transformer                     | TF-531-0    | R61      | 10 meg reversed audio (bass) control       | C-BA-811-3710 |
| T3     | Auto Transformer - 8 ohm, 16 ohm       | TF-130A     | R58, R86 | 250K audio taper (volume & depth) control  | C-BA-811-3701 |
| L1     | Filter Choke                           | TF-3021H    | R57      | 2 meg reversed audio (bass) control        | C-BA-811-3751 |
| L1, L2 | Inductances 3.7 mh                     |             | R62, R60 | 500K audio taper (volume & treble) control | C-BA-811-3707 |
|        |  |             | R84      | 1 meg audio taper (treble) control         | C-BA-811-3709 |
|        |  |             | R87      | 1.5 meg reversed audio (frequency) control | C-BA-811-3711 |
| S1     | Switch - off, standby, on-on           | SW-78       | R65      | 500 ohm wire wound control                 | C-B-23391     |
| LDR-1  | Light Dependent Resistor Lamp Assembly | RE-LDR-430G |          |  |               |
| (2)    | Speakers, 10" 8 ohm for Titan 3        | S-12197     |          |  |               |
| (1)    | Speaker, 15" 16 ohm for Titan 3        | S-0128      |          |  |               |
| (2)    | Speakers, 15" 16 ohm for Titan 5       | D-130F      |          |  |               |
| (2)    | Speakers, 12" 8 ohm for Titan 1        | S-7414-2    |          |  |               |

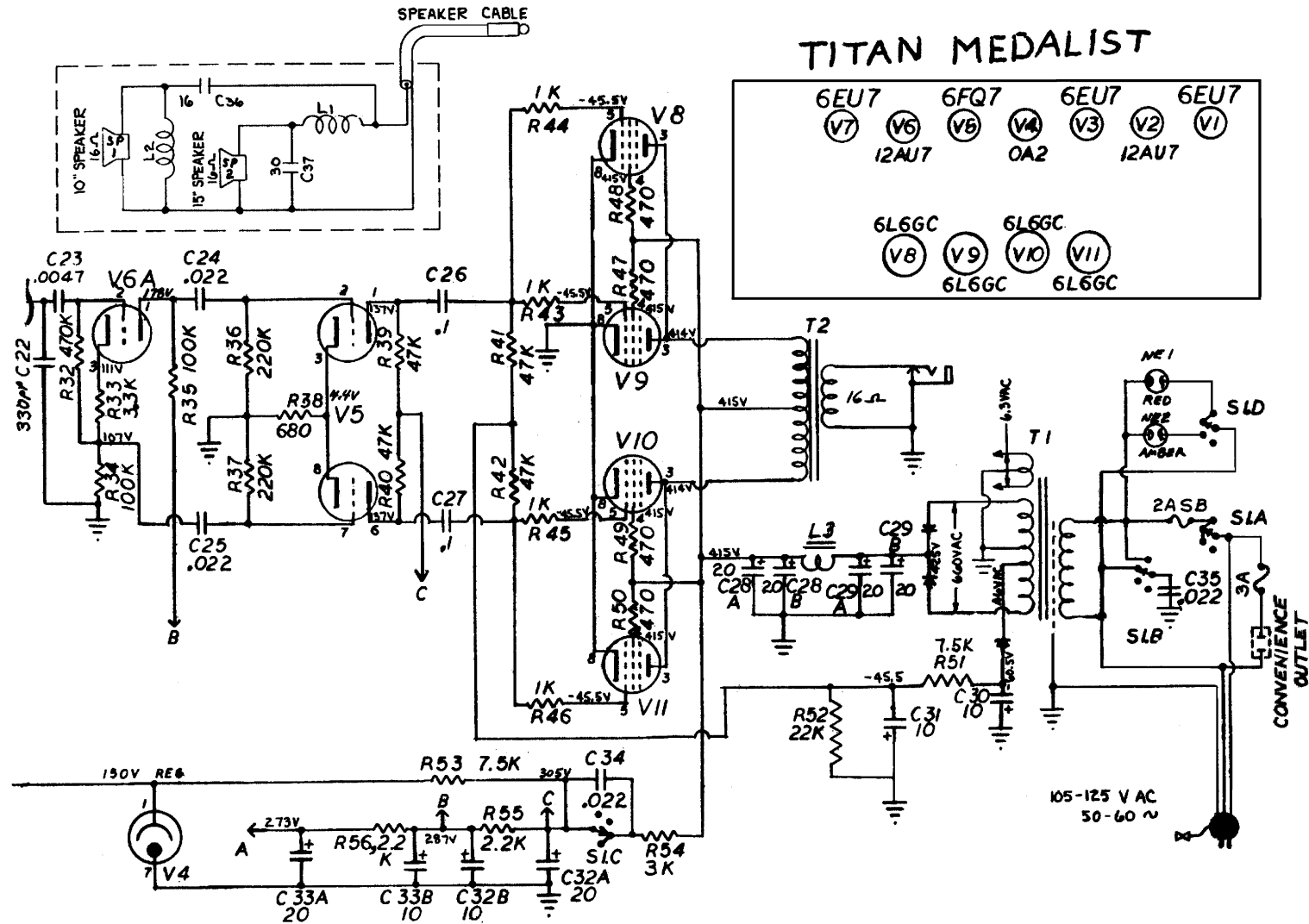


# TITAN I-111 & V PWR/OUTPUT

# Gibson

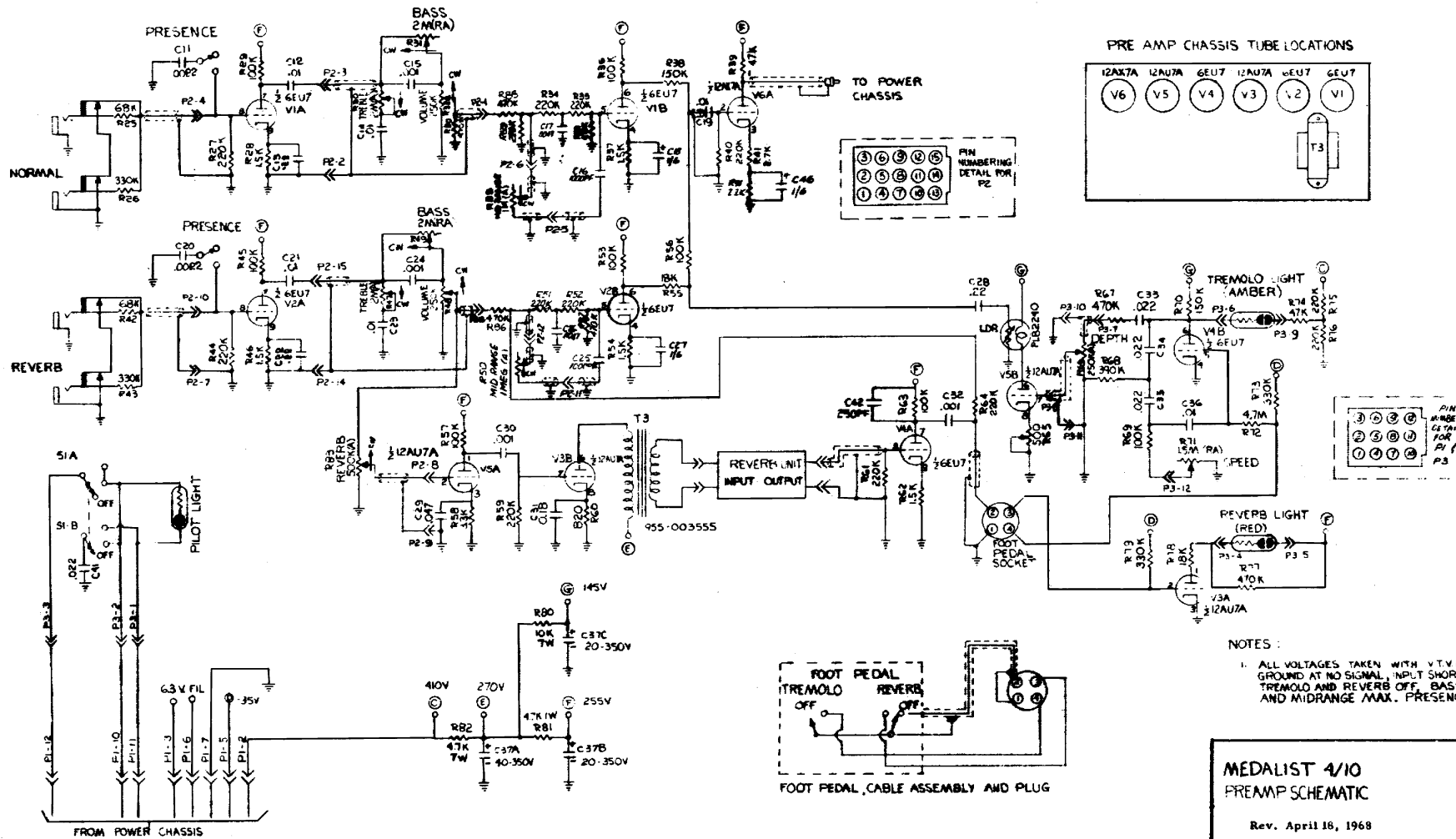


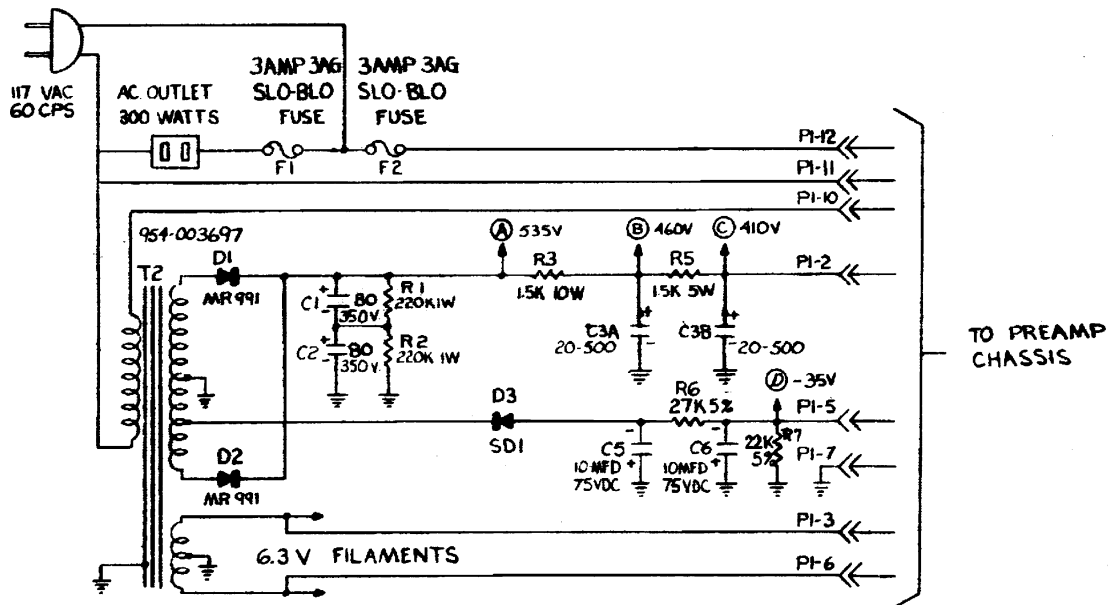
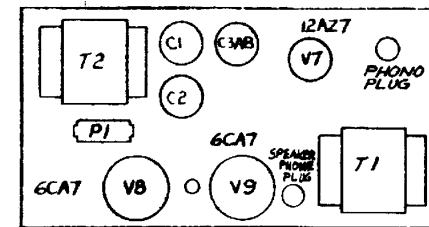
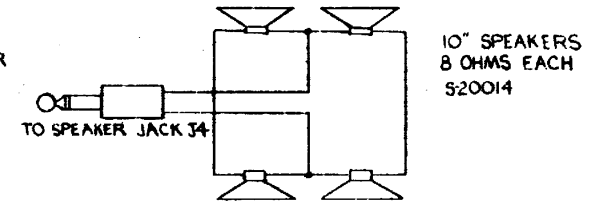
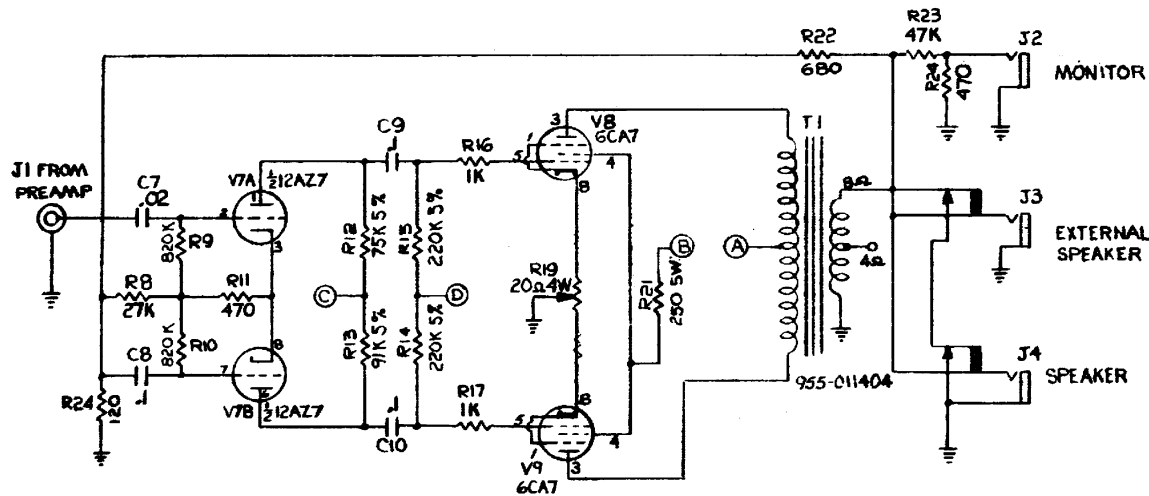




# MEDALIST PREAMP

# Gibson





NOTES :

1. ALL VOLTAGES TAKEN WITH VTVM. TO GROUND AT NO SIGNAL, INPUT SHORTED, TREMOLO AND REVERB OFF, BASS, TREBLE, AND MIDRANGE MAX. PRESENCE OFF.

MEDALIST 4/10 POWER CHASSIS SCHEMATIC

Rev. April 18, 1968