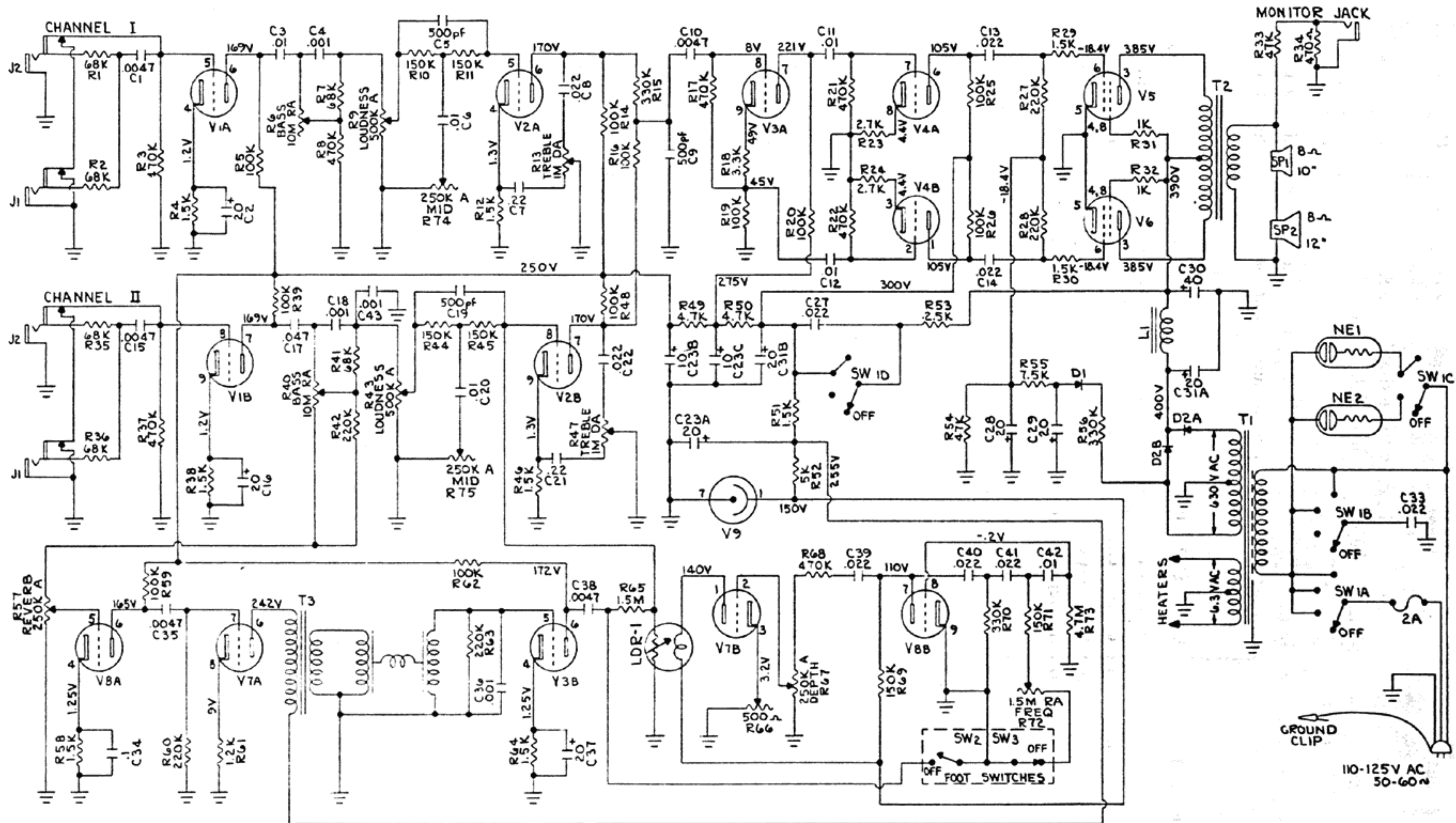
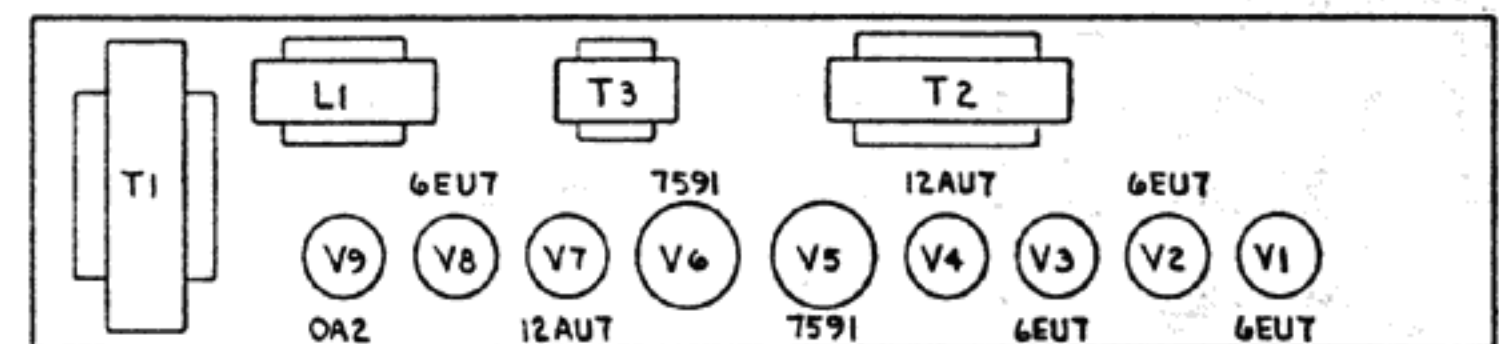


GA-30RVT



- | | | | |
|-----------------|---|--------------|--|
| SV-1A,1B,1C,1D | Switch - off, standby, on-on Rotary | SV-78 | |
| SV-2,SV-3 | Switches - push, push | SV-82403 | |
| T1 | Power Transformer | TF-100P | |
| T2 | Output Transformer | TF-P-6A17-1 | |
| T3 | Reverberation Transformer | TF-E-6A00 | |
| L1 | Filter Choke | TF-3021-H | |
| D1 | Diode 600 PIV, 250 MA | DI-71B | |
| D2A,D2B | Diode 1200 PIV, 250 MA | DI-57 | |
| R57,R67,R74,R75 | Controls - 250K, C2 Audio(Reverb,Depth) | CBA-811-3701 | |
| R9,R43 | Controls - 500K, C2 Audio(Loudness) | CBA-811-3707 | |
| R6,R40 | Controls - 10 meg, C3 RA (Bass) | CBA-811-3710 | |
| R72 | Control - 1.5 meg, C3 RA (Frequency) | CBA-811-3711 | |
| R13,R47 | Controls - 1 meg - 30% RA (Treble) | CBA-813-4001 | |
| R66 | Control - 500 ohm wire wound | CB-23391 | |



110-125V AC
50-60Hz