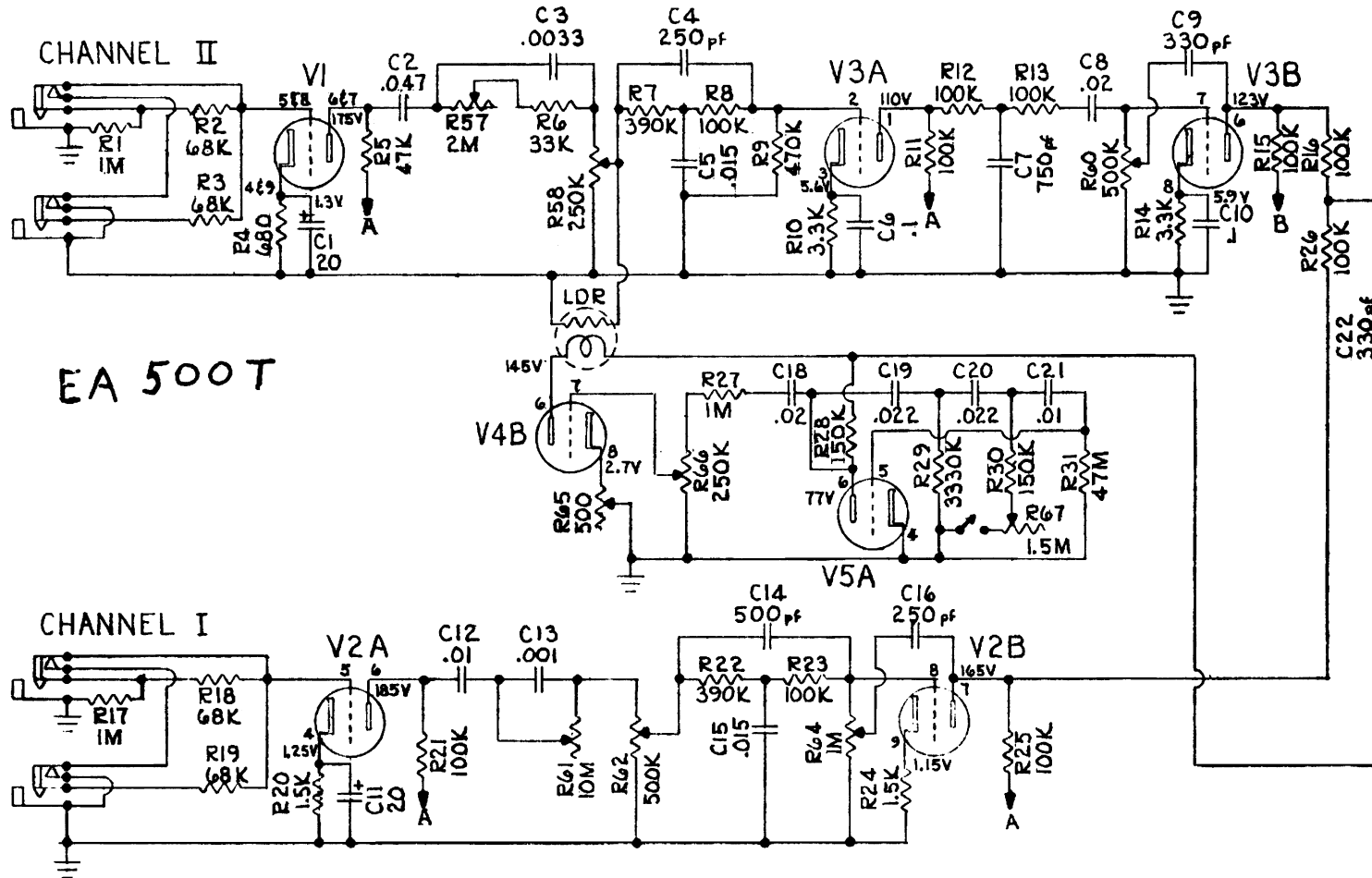
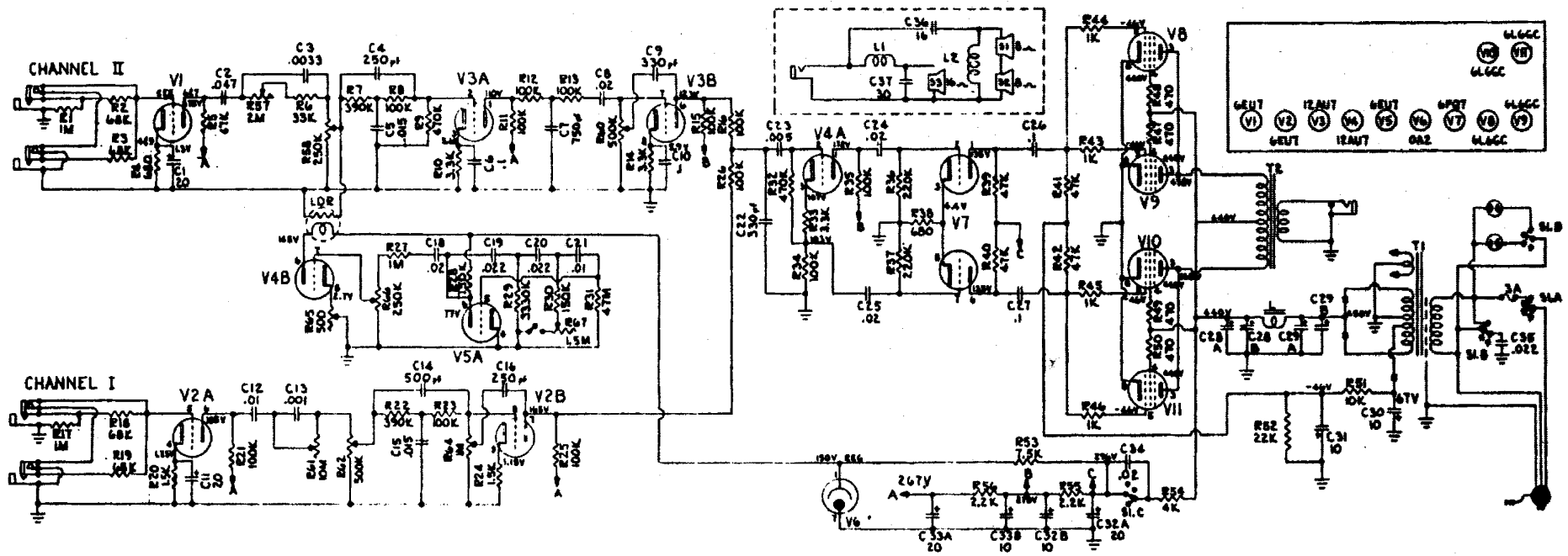


T1	Power Transformer	TF-135P	(2)	Speakers, 10" 8 ohm	S-12197
T2	Output Transformer	TF-531-0	(1)	Speaker, 15", 16 ohm	S-0128
L1	Filter Choke	TF-3021H	R61	10 meg reversed audio (bass) control	C-BA-811-3710
L1, L2	Inductances 3.7 mh		R58, R66	250K audio taper (volume and depth) control	C-BA-811-3701
			R57	2 meg reversed audio (BASS) control	C-BA-811-3781
S1	Switch - off, standby, on-on	SW-78	R62, R60	500K audio taper (volume and treble) control	C-BA-811-3707
			R64	1 meg audio taper (treble) control	C-BA-811-3709
LDR-1	Light Dependent Resistor Lamp Assembly	RE-LDR-430G	R67	1.5 meg reversed audio (frequency) control	C-BA-811-3711
			R65	500 ohm wire wound control	C-B-233





Ediphone Model EA-500T