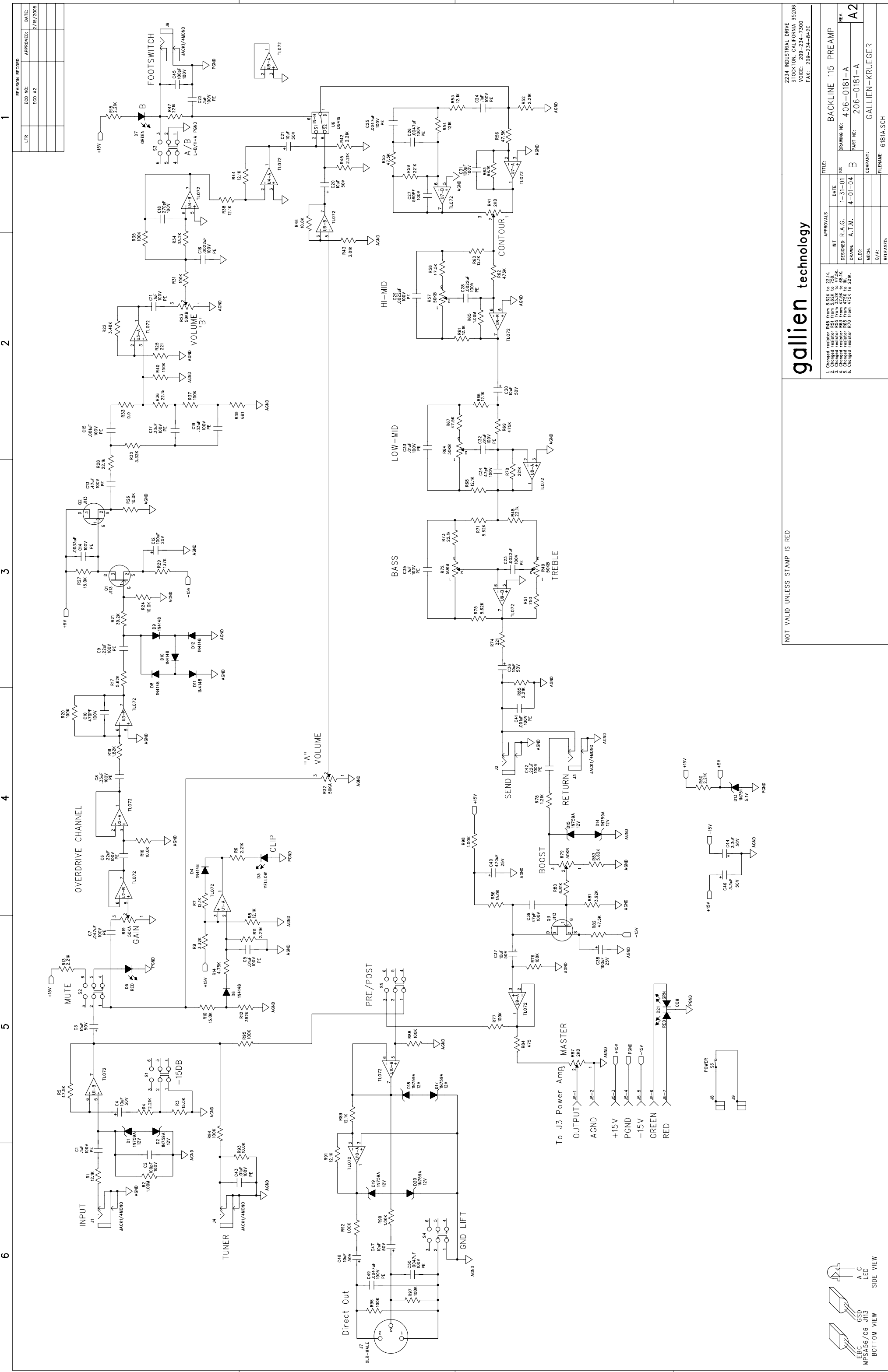


Customer Name:		Gallien-Krueger		Current Rev #:		A1		New ECO Rev #:		A2	
Model:		Backline 250, 600, 115 Combo,		Distribute To:				Page:		1 Of: 2	
Assembly Description:		and 210 Combo		Originator:		Enrique Hernandez					
Assembly Numbers:		206-0181-A		Approved by:				Effective Date:		2/15/2005	
Effective				Document Update				Date		Initials	
<input checked="" type="checkbox"/>	All in Process	<input checked="" type="checkbox"/>	Next Buy	<input type="checkbox"/>	Artwork						
<input type="checkbox"/>	All in Service	<input checked="" type="checkbox"/>	Next Production Run	<input type="checkbox"/>	Assembly Dwg.						
<input checked="" type="checkbox"/>	All in Stock	<input type="checkbox"/>		<input type="checkbox"/>	Board Artwork						
Beginning Serial Number:				<input checked="" type="checkbox"/>	BOM						Noli
Reason For Change				<input type="checkbox"/>	Control Form						
Pre-Amp revoiced to sound more like the 400RB-IV.				<input checked="" type="checkbox"/>	Costing						TC
				<input type="checkbox"/>	Fab Drawing						
				<input type="checkbox"/>	Inspection Proc.						
				<input checked="" type="checkbox"/>	Part Master File						Noli
				<input checked="" type="checkbox"/>	Schematic						Noli
				<input type="checkbox"/>	Service Manual						
				<input type="checkbox"/>	Test Procedure						
				<input type="checkbox"/>							
				<input type="checkbox"/>							
				<input type="checkbox"/>							
				Other Affected Assemblies							
				209-0180-A, 303-0180-A,							
				303-1180-A, 303-2180-A							
<input type="checkbox"/>	Continued on ECO Supplement Page										
Description Of Change				Distribution				Date		Initials	
Revoicing of the pre-amp to sound more like the 400RB-IV. Replaced certain resistors mentioned below to change the structure of the output waveform.				<input type="checkbox"/>	Accounting						
				<input type="checkbox"/>	Assembly						
				<input type="checkbox"/>	Customer						
				<input checked="" type="checkbox"/>	Engineering						
				<input checked="" type="checkbox"/>	Incoming Q.C.						
				<input type="checkbox"/>	Planning						
				<input checked="" type="checkbox"/>	Production Eng.						
				<input checked="" type="checkbox"/>	Purchasing						
				<input type="checkbox"/>	Q.A.						
				<input type="checkbox"/>	Receiving						
				<input type="checkbox"/>	Service						
				<input type="checkbox"/>	Test						
				<input type="checkbox"/>	Vendor						
				<input type="checkbox"/>							
				<input type="checkbox"/>							
				<input checked="" type="checkbox"/>	Drawing(s) attached						
Part Number		Description		Parts Added				Parts Deleted			
				Qty	Ref. Designator			Qty	Ref. Designator		
060-5622-0		1/8W, 5.62K						1	R48		
060-5622-0		1/8W, 5.62K						1	R51		



1 2 3 4 5 6

D C B A

NOT VALID UNLESS STAMP IS RED

**gallien technology**

2234 INDUSTRIAL DRIVE  
STOCKTON, CALIFORNIA 95206  
VOICE: 209-234-7300  
FAX: 209-234-8420

TITLE: BACKLINE 115 PREAMP  
REV: A2

APPROVALS  
INIT DATE  
DESIGNED: R.A.G. 1-31-01  
DRAWN: A.T.M. 4-01-04  
ELEC: MECH: COMPANY: GALLIEN-KRUEGER  
G/A: FILENAME: 6181A.SCH

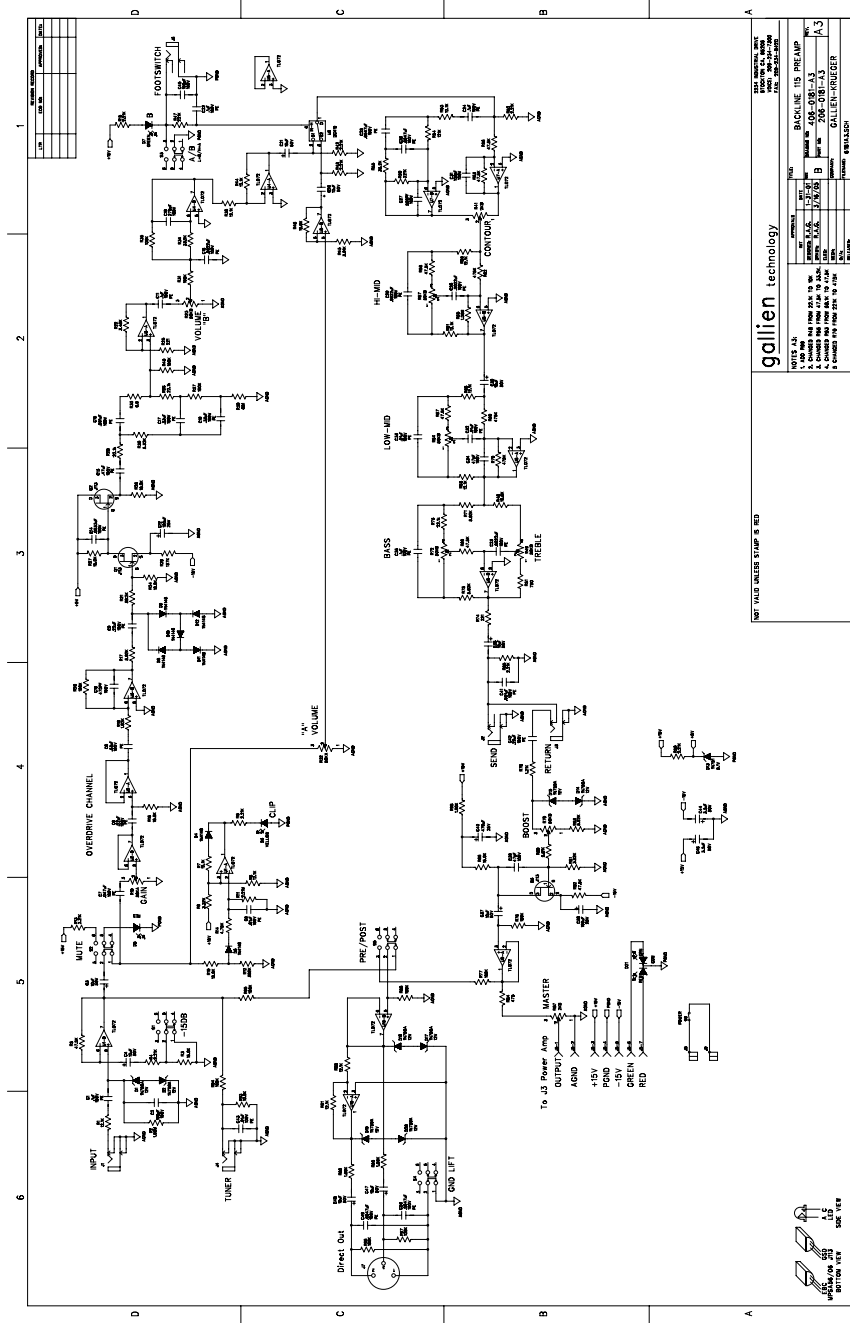
1. Changed resistor R48 from 5.62K to 22.1K  
2. Changed resistor R51 from 5.62K to 22.1K  
3. Changed resistor R53 from 47.5K to 88.1K  
4. Changed resistor R55 from 47.5K to 22.1K  
5. Changed resistor R57 from 47.5K to 22.1K  
6. Changed resistor R59 from 47.5K to 22.1K

POWER  
J8  
J9

To J3 Power Amp MASTER  
OUTPUT J3-1  
AGND J3-2  
+15V J3-3  
PGND J3-4  
-15V J3-5  
GREEN J3-6  
RED J3-7

LED VIEW  
AC  
SIDE VIEW  
BOTTOM VIEW

Customer Name:		Gallien-Krueger		Current Rev #:		A2		New ECO Rev #:		A3	
Model:		Backline 250, 600, 115 Combo,		Distribute To:				Page:		1 Of: 2	
Assembly Description:		and 210 Combo		Originator:		Enrique Hernandez					
Assembly Numbers:		206-0181-A		Approved by:				Effective Date:		3/11/2005	
Effective				Document Update				Date		Initials	
<input checked="" type="checkbox"/>	All in Process	<input checked="" type="checkbox"/>	Next Buy	<input type="checkbox"/>	Artwork						
<input type="checkbox"/>	All in Service	<input checked="" type="checkbox"/>	Next Production Run	<input type="checkbox"/>	Assembly Dwg.						
<input checked="" type="checkbox"/>	All in Stock	<input type="checkbox"/>		<input type="checkbox"/>	Board Artwork						
Beginning Serial Number:				<input checked="" type="checkbox"/>	BOM						Noli
Reason For Change				<input type="checkbox"/>	Control Form						
Pre-Amp revoiced to sound more like the 400RB-IV.				<input checked="" type="checkbox"/>	Costing						TC
				<input type="checkbox"/>	Fab Drawing						
				<input type="checkbox"/>	Inspection Proc.						
				<input checked="" type="checkbox"/>	Part Master File						Noli
				<input checked="" type="checkbox"/>	Schematic						RAG
				<input type="checkbox"/>	Service Manual						
				<input checked="" type="checkbox"/>	Test Procedure						ATM
				<input type="checkbox"/>							
				<input type="checkbox"/>							
				Other Affected Assemblies							
				209-0180-A, 303-0180-A,							
				303-1180-A, 303-2180-A							
<input type="checkbox"/>	Continued on ECO Supplement Page										
Description Of Change				Distribution				Date		Initials	
Revoicing of the pre-amp to sound more like the 400RB-IV. Replaced certain resistors mentioned below to change the structure of the output waveform.				<input type="checkbox"/>	Accounting						
				<input type="checkbox"/>	Assembly						
				<input type="checkbox"/>	Customer						
				<input checked="" type="checkbox"/>	Engineering						
				<input checked="" type="checkbox"/>	Incoming Q.C.						
Add a 47.5K resistor as well to bass and treble circuit that is missing, and should be there, it is designated R99 on the schematic 206-0181-A3.				<input type="checkbox"/>	Planning						
				<input checked="" type="checkbox"/>	Production Eng.						
				<input checked="" type="checkbox"/>	Purchasing						
				<input type="checkbox"/>	Q.A.						
				<input type="checkbox"/>	Receiving						
				<input type="checkbox"/>	Service						
				<input type="checkbox"/>	Test						
				<input type="checkbox"/>	Vendor						
				<input type="checkbox"/>							
				<input type="checkbox"/>							
<input type="checkbox"/>	Continued on ECO Supplement Page			<input checked="" type="checkbox"/>	Drawing(s) attached						
Part Number	Description	Parts Added		Parts Deleted							
		Qty	Ref. Designator	Qty	Ref. Designator						
060-2213-0	1/8W, 22.1K			1	R48						
060-1752-0	1/8W, 47.5K			1	R55						



gallien technology

NOTES:  
 1. SEE THE TYPICAL CONNECTIONS FOR THE INPUTS AND OUTPUTS.  
 2. THE INPUTS AND OUTPUTS ARE UNBALANCED.  
 3. THE INPUTS AND OUTPUTS ARE UNBALANCED.  
 4. CHECK THE TYPICAL CONNECTIONS FOR THE INPUTS AND OUTPUTS.  
 5. CHECK THE TYPICAL CONNECTIONS FOR THE INPUTS AND OUTPUTS.

REV	DATE	DESCRIPTION
1	01/20/06	INITIAL DESIGN
2	02/01/06	REVISED FOR PRODUCTION
3	02/01/06	REVISED FOR PRODUCTION
4	02/01/06	REVISED FOR PRODUCTION
5	02/01/06	REVISED FOR PRODUCTION
6	02/01/06	REVISED FOR PRODUCTION

REV 100W POWER AMP & RD

404-0181-A3

DATE: 02/01/06

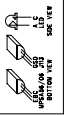
DESIGNER: GALLIEN-TECHNOLOGY

APPROVED: GALLIEN-TECHNOLOGY

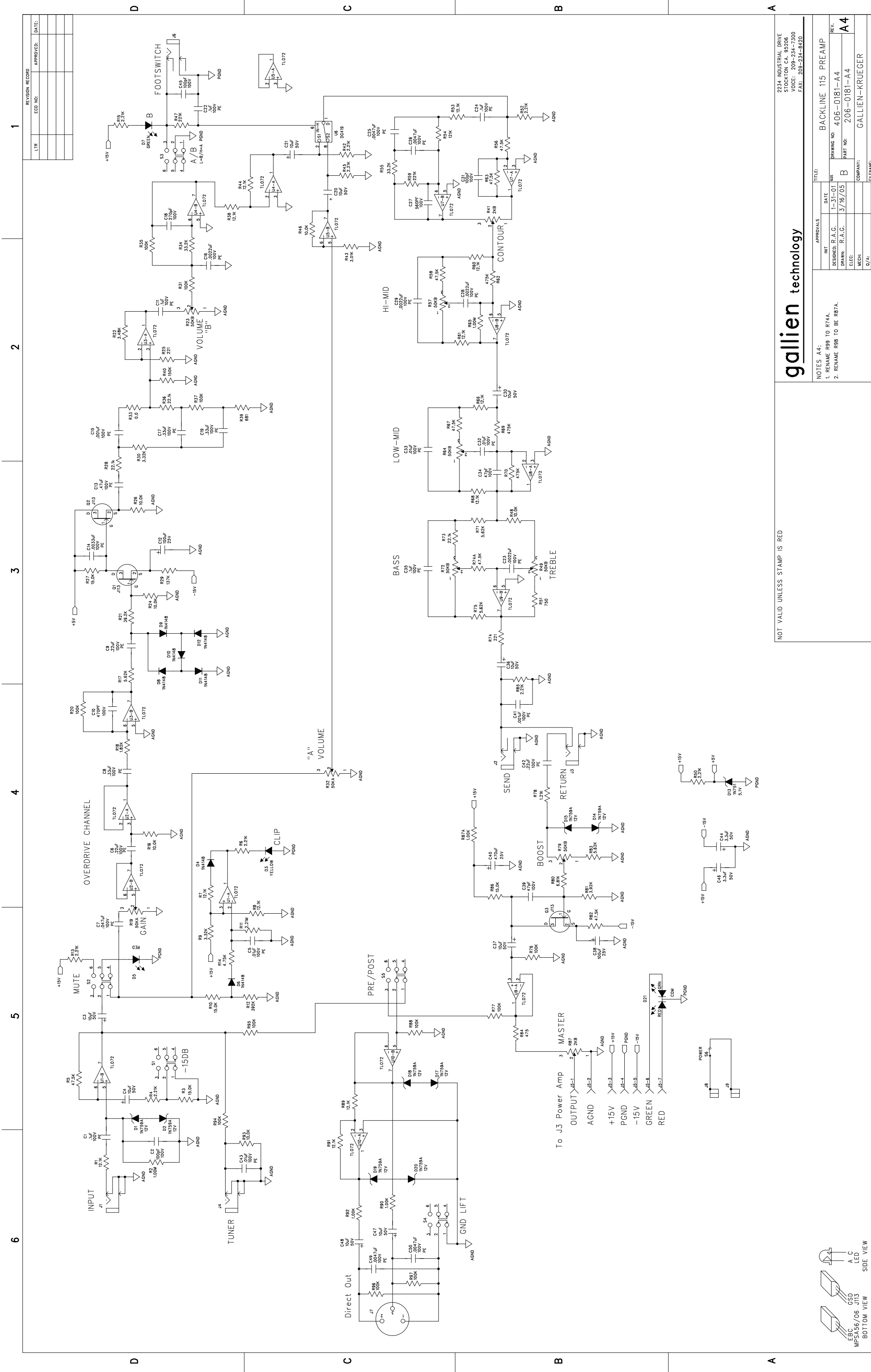
DATE: 02/01/06

REV: 1

SEE FIG 100W POWER AMP & RD



Customer Name:		Gallien-Krueger		Current Rev #:		A3		New ECO Rev #:		A4	
Model:		Backline 250, 600, 115 Combo,		Distribute To:				Page:		1 Of: 2	
Assembly Description:		and 210 Combo		Originator:		Enrique Hernandez					
Assembly Numbers:		206-0181-A		Approved by:							
				Effective Date:		3/17/2005					
Effective				Document Update				Date		Initials	
<input type="checkbox"/>	All in Process	<input checked="" type="checkbox"/>	Next Buy	<input checked="" type="checkbox"/>	Artwork						RAG
<input type="checkbox"/>	All in Service	<input type="checkbox"/>	Next Production Run	<input type="checkbox"/>	Assembly Dwg.						
<input type="checkbox"/>	All in Stock	<input type="checkbox"/>		<input type="checkbox"/>	Board Artwork						
Beginning Serial Number:				<input checked="" type="checkbox"/>	BOM						Noli
Reason For Change				<input type="checkbox"/>	Control Form						
Renaming of two resistors on the pre-amp board to match layout counting scheme of the board.				<input checked="" type="checkbox"/>	Costing						TC
				<input type="checkbox"/>	Fab Drawing						
				<input type="checkbox"/>	Inspection Proc.						
				<input checked="" type="checkbox"/>	Part Master File						Noli
				<input checked="" type="checkbox"/>	Schematic						RAG
				<input type="checkbox"/>	Service Manual						
				<input type="checkbox"/>	Test Procedure						
				<input type="checkbox"/>							
				<input type="checkbox"/>							
				Other Affected Assemblies							
				209-0180-A, 303-0180-A,							
				303-1180-A, 303-2180-A							
<input type="checkbox"/>	Continued on ECO Supplement Page										
Description Of Change				Distribution				Date		Initials	
Update BOM.				<input type="checkbox"/>	Accounting						
Update Part Master File.				<input type="checkbox"/>	Assembly						
Updated Artwork 145-0181-A4.				<input checked="" type="checkbox"/>	Customer						
Resistor R98 changed to R87A, and resistor R99 changed to R74A.				<input checked="" type="checkbox"/>	Engineering						
				<input checked="" type="checkbox"/>	Incoming Q.C.						
				<input type="checkbox"/>	Planning						
				<input checked="" type="checkbox"/>	Production Eng.						
				<input checked="" type="checkbox"/>	Purchasing						
				<input type="checkbox"/>	Q.A.						
				<input type="checkbox"/>	Receiving						
				<input type="checkbox"/>	Service						
				<input type="checkbox"/>	Test						
				<input type="checkbox"/>	Vendor						
				<input type="checkbox"/>							
				<input type="checkbox"/>							
				<input checked="" type="checkbox"/>	Drawing(s) attached						
Part Number		Description		Parts Added				Parts Deleted			
				Qty	Ref. Designator			Qty	Ref. Designator		



REV	DESCRIPTION	DATE
1	ISSUE	
2	ISSUE	
3	ISSUE	
4	ISSUE	
5	ISSUE	
6	ISSUE	

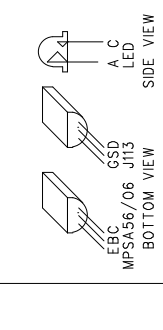
2234 INDUSTRIAL DRIVE  
STOCKTON CA 95208  
TEL: 209-943-4400  
FAX: 209-943-4400

**gallien technology**

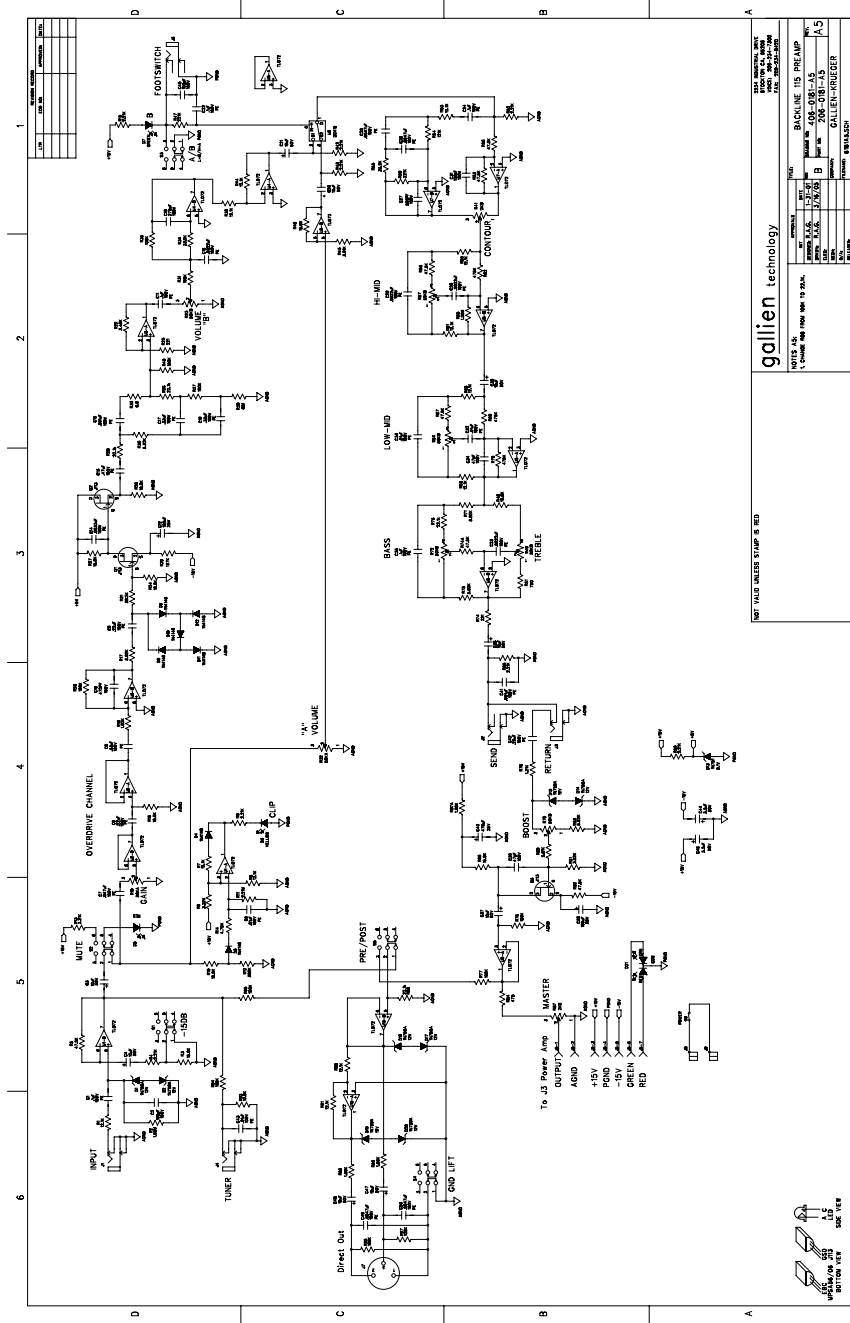
TITLE: BACKLINE 115 PREAMP  
REV: 1-01  
DATE: 3/18/03  
DRAWN: R.A.G.  
ELEC: B  
PART NO: 206-0181-A4  
COMPANY: GALLIEN-KRUEGER  
RELEASED: 2/1/03

NOTES A4:  
1. RENAME R98 TO R74A.  
2. RENAME R98 TO BE R74A.

NOT VALID UNLESS STAMP IS RED



Customer Name:		Gallien-Krueger		Current Rev #:		A4		New ECO Rev #:		A5	
Model:		Backline 250, 600, 115 Combo, and 210 Combo		Distribute To:				Page:		1 Of: 2	
Assembly Description:		preamp board		Originator:		Enrique Hernandez					
Assembly Numbers:		206-0181-A		Approved by:							
				Effective Date:		12/15/2005					
Effective				Document Update				Date		Initials	
<input checked="" type="checkbox"/>	All in Process	<input checked="" type="checkbox"/>	Next Buy	<input type="checkbox"/>	Artwork						
<input checked="" type="checkbox"/>	All in Service	<input checked="" type="checkbox"/>	Next Production Run	<input type="checkbox"/>	Assembly Dwg.						
<input type="checkbox"/>	All in Stock	<input type="checkbox"/>		<input type="checkbox"/>	Board Artwork						
Beginning Serial Number:				<input checked="" type="checkbox"/>	BOM						Noli
Reason For Change				<input type="checkbox"/>	Control Form						
DI output too hot, need to decrease DI level to match the level of the 700RB-II/1001RB-II pre-amp when level knob is set to max.				<input checked="" type="checkbox"/>	Costing						TC
				<input type="checkbox"/>	Fab Drawing						
				<input type="checkbox"/>	Inspection Proc.						
				<input checked="" type="checkbox"/>	Part Master File						Noli
				<input checked="" type="checkbox"/>	Schematic						Enrique
				<input type="checkbox"/>	Service Manual						
				<input type="checkbox"/>	Test Procedure						
				<input type="checkbox"/>							
				<input type="checkbox"/>							
				Other Affected Assemblies							
				209-0180-A, 303-0180-A, 303-1180-A, 303-2180-A							
<input type="checkbox"/>	Continued on ECO Supplement Page										
Description Of Change				Distribution				Date		Initials	
Update BOM.				<input type="checkbox"/>	Accounting						
				<input type="checkbox"/>	Assembly						
Update Part Master File.				<input type="checkbox"/>	Customer						
				<input checked="" type="checkbox"/>	Engineering						
				<input checked="" type="checkbox"/>	Incoming Q.C.						
				<input type="checkbox"/>	Planning						
				<input checked="" type="checkbox"/>	Production Eng.						
				<input type="checkbox"/>	Purchasing						
				<input type="checkbox"/>	Q.A.						
				<input type="checkbox"/>	Receiving						
				<input type="checkbox"/>	Service						
				<input type="checkbox"/>	Test						
				<input type="checkbox"/>	Vendor						
				<input type="checkbox"/>							
				<input type="checkbox"/>							
				<input type="checkbox"/>							
				<input type="checkbox"/>	Drawing(s) attached						
Part Number		Description		Parts Added				Parts Deleted			
				Qty	Ref. Designator			Qty	Ref. Designator		
206-0181-A		100% 1/0% 25%						1	206		



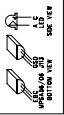
galien technology

NOTES:  
 1. Check the spec for 100k.

REV	DATE	BY	CHKD
1	02/01/06	B	B
2	02/01/06	B	B
3	02/01/06	B	B
4	02/01/06	B	B
5	02/01/06	B	B
6	02/01/06	B	B

REVISED BY: GALIEN-INDUSTRY

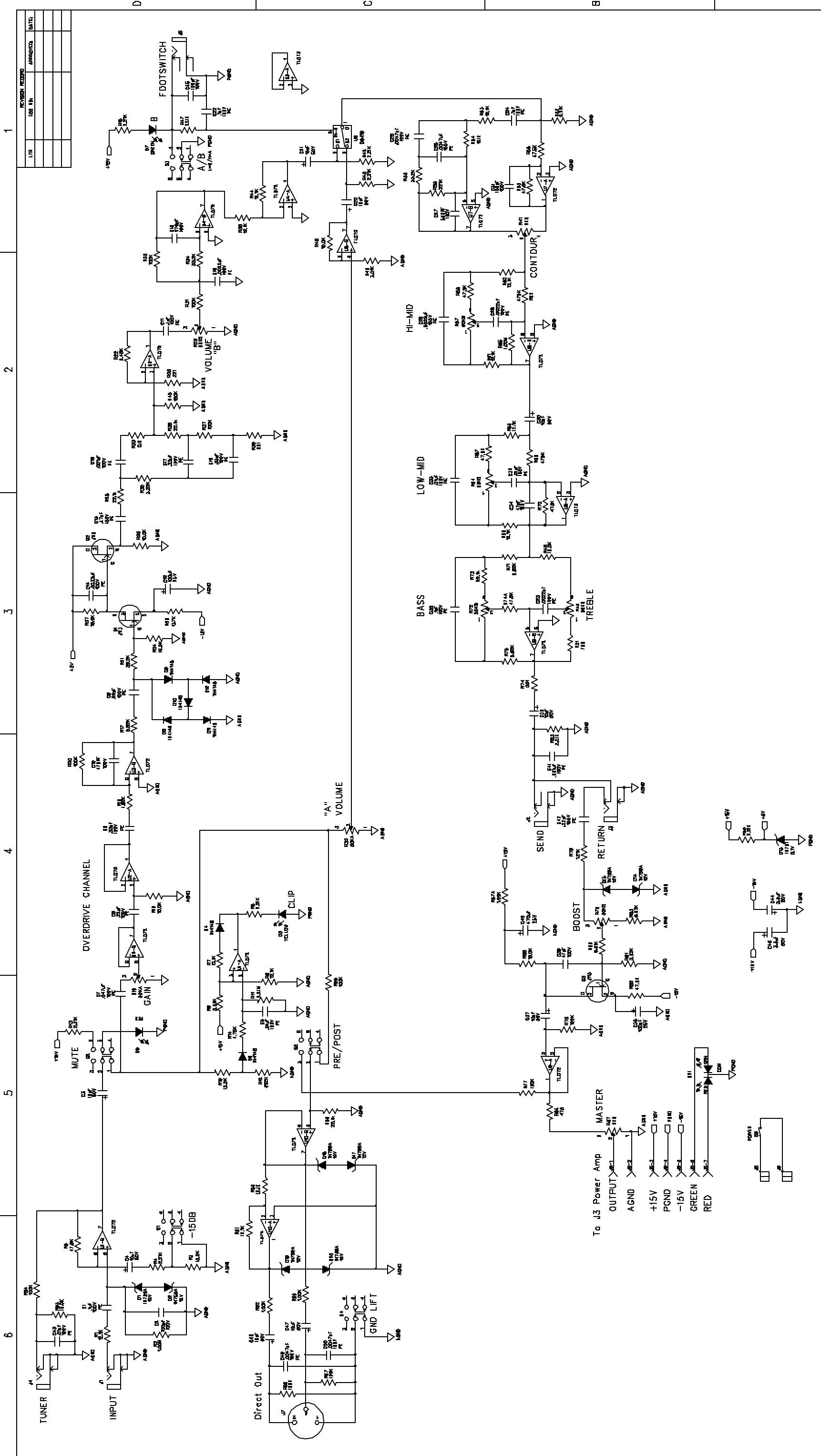
REF THIS VALUE STAMP & RED



GAL IEN TECHNOLOGY  
 1000 N. 10th St.  
 Seattle, WA 98107  
 USA TEL: 206.461.1000







1  
2  
3  
4  
5  
6

NOT VALID UNLESS STAMP IS RED

gallien technology

2524 INDUSTRIAL DRIVE  
STOCKTON, CA 95208  
VOICE: 209-234-7300  
FAX: 209-234-8420

REVISED RECORD		DATE

BACKLINE 115 PREAMP  
DRAWING NO: 406-0181-A6  
REV: A6

DESIGNED: P.A.G. DATE: 7/7/98  
DRAWN: P.A.G.  
CHECKED: GALLIEN-KRUEGER  
DATE: 8/16  
RELEASED: 8/16

NOTES A6:  
1. MOVE R80 TO TOP OF R32.

POWER: 15V, -15V, GND  
EBC: GND, JMS, A.C. LED  
MPS36/08: BOTTOM VIEW, SIDE VIEW