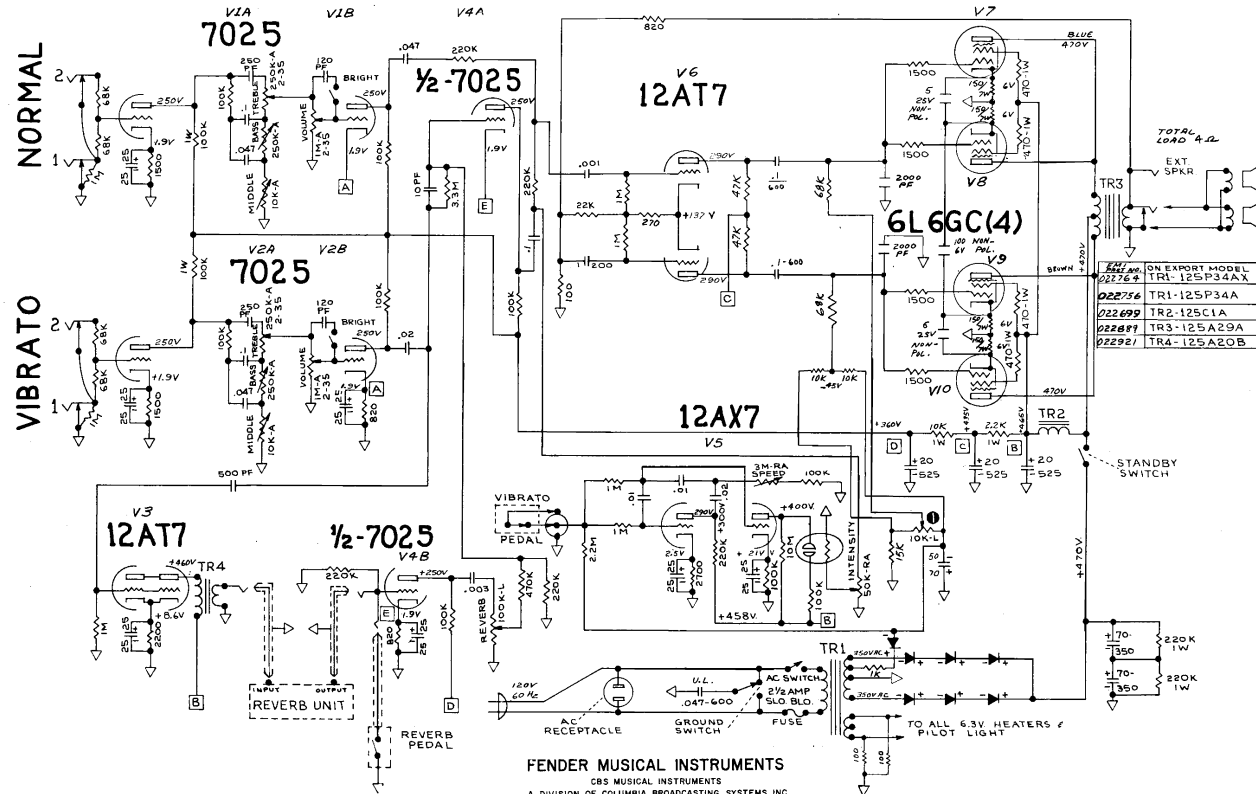


## FENDER "TWIN REVERB-AMP 568" SCHEMATIC NOTICE MODEL

THIS PRODUCT MANUFACTURED UNDER ONE OR MORE OF THE FOLLOWING U.S. PATENTS:  
#2617708, #2973681, #2859 PATENTS PENDING.

- 1. VOLTAGES READ TO GROUND WITH V.T.V.M.
- 2. VALUES SHOWN ± OR - 20%
- 3. ALL RESISTORS 1/2 WATT 10% TOLERANCE IF NOT SPECIFIED
- 4. ALL CAPACITORS AT LEAST 400 VOLT RATING IF NOT SPECIFIED
- 5. VOLTAGES MEASURED WITH VIBRATO PEDAL GROUND TO CHASSIS.

C-FD



FENDER MUSICAL INSTRUMENTS

CBS MUSICAL INSTRUMENTS  
A DIVISION OF COLUMBIA BROADCASTING SYSTEMS INC.  
SANTA ANA, CALIFORNIA  
U.S.A.

DWN.	F.T.	DATE	5-27-68	<b>Fender</b> MUSICAL INSTRUMENTS SANTA ANA, CALIFORNIA	
CHK.		DATE		DWG. TITLE SCHEMATIC & WIRING DIAGRAM - TWIN REVERB TUBE TYPE	
APPD.		DATE		REL. NO.	480
APPD.		DATE		SIZE	D
APPD.		DATE		DWG. NO.	045377
APPROVAL-		DATE	5-27-68	MODEL	TWIN REVERB TUBE TYPE
APPROVAL-		DATE		SCALE	AS SHOWN
				SHEET	1 OF 2