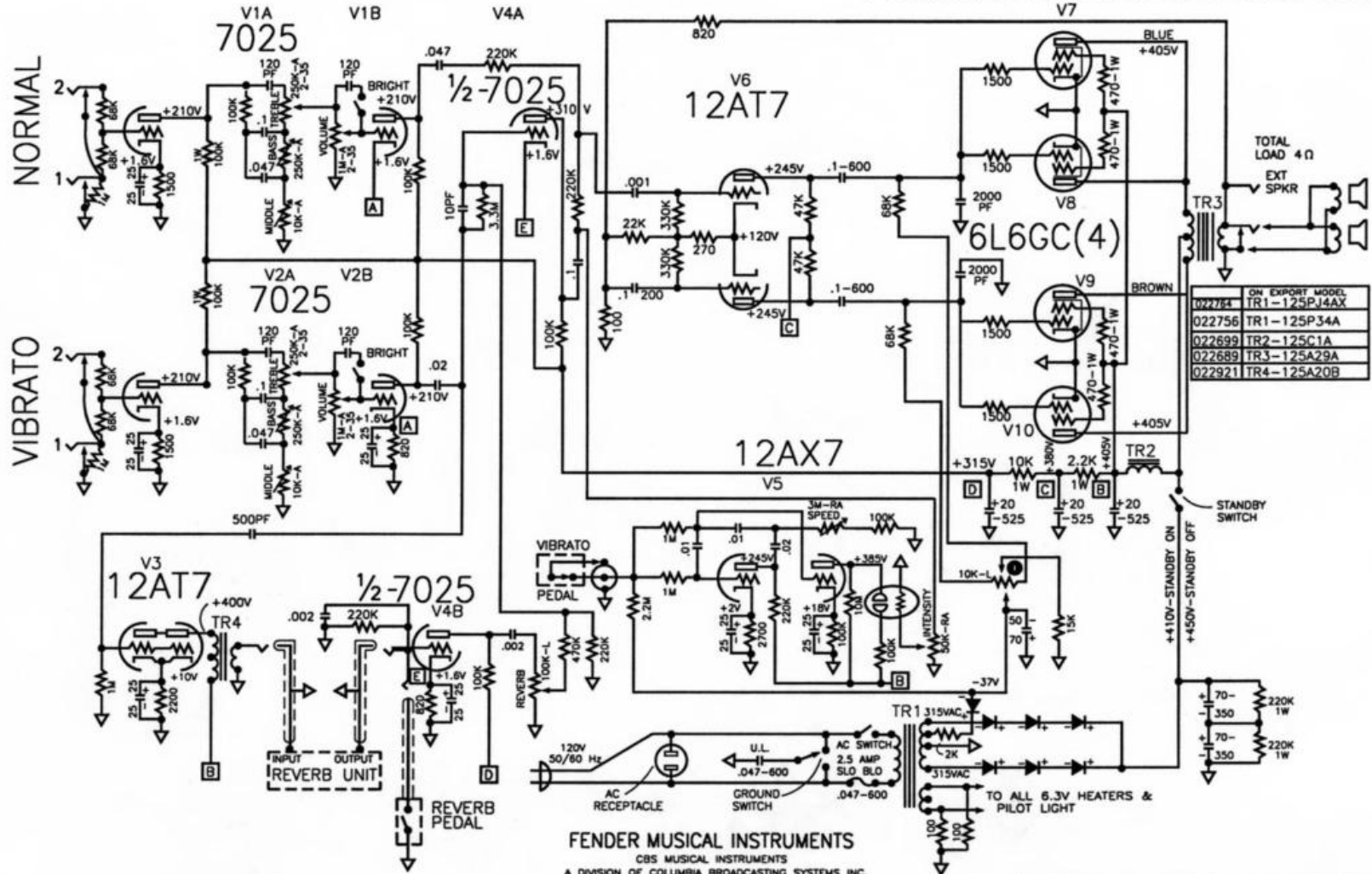


FENDER "TWIN REVERB-AMP AA769 SCHEMATIC" NOTICE MODEL

THIS PRODUCT MANUFACTURED UNDER ONE OR MORE OF THE FOLLOWING US PATENTS.
#2817708, #2973681, 192859 & PATENTS PENDING.

- 1- VOLTAGES READ TO GROUND WITH V.T.V.M.
- 2- ALL RESISTORS 1/2 WATT 10% TOLERANCE, IF NOT SPECIFIED.
- 3- ALL CAPACITORS AT LEAST 400 VOLT RATING, IF NOT SPECIFIED.
- 4- VOLTAGE MEASURED WITH VIBRATO PEDAL GROUNDED TO CHASSIS.



	ON EXPORT MODEL
022784	TR1-125PJ4AX
022756	TR1-125P34A
022699	TR2-125C1A
022689	TR3-125A29A
022921	TR4-125A20B

FENDER MUSICAL INSTRUMENTS
CBS MUSICAL INSTRUMENTS
A DIVISION OF COLUMBIA BROADCASTING SYSTEMS INC.
FULLERTON, CALIFORNIA
U.S.A.

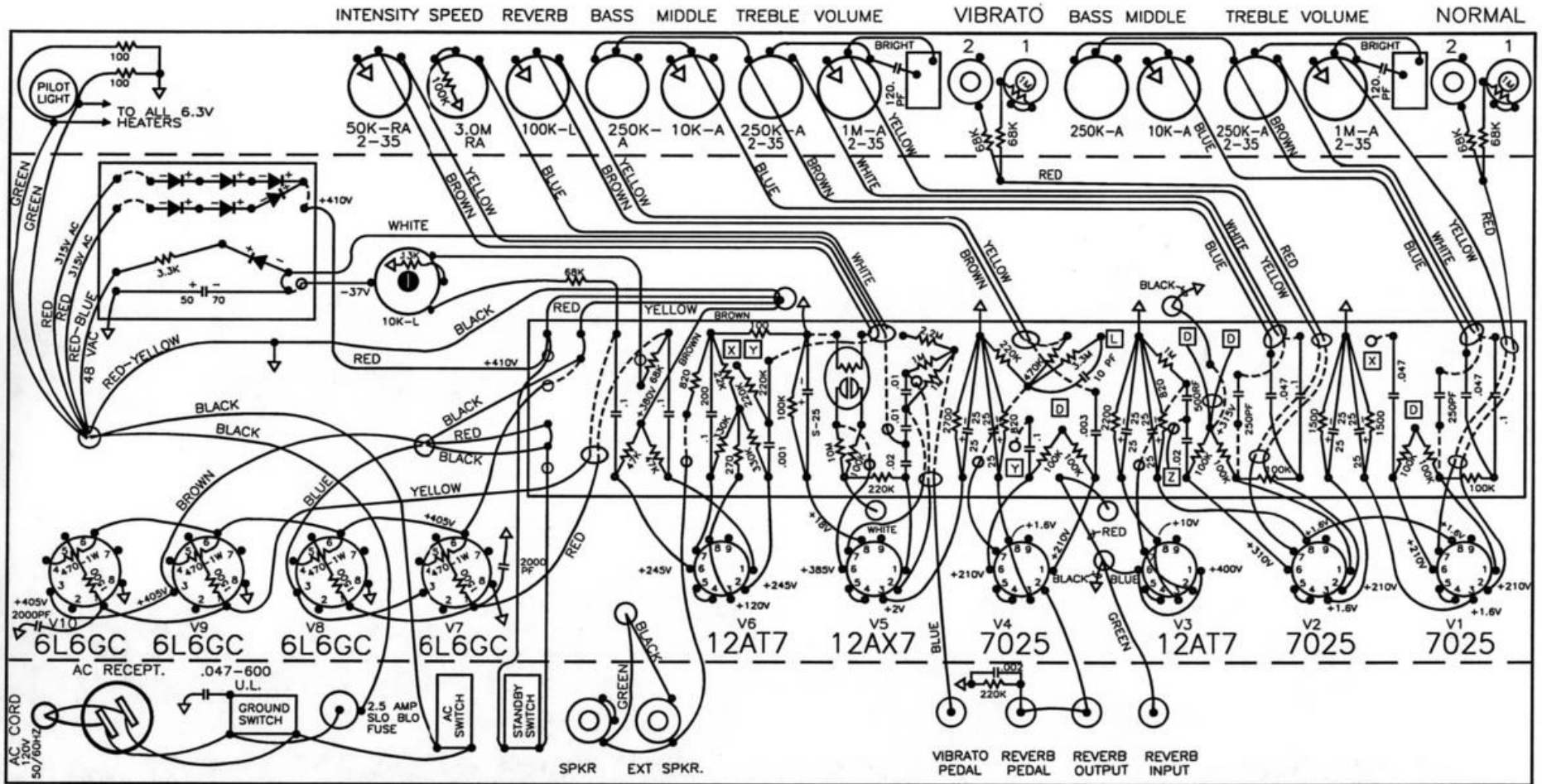
D	INCORPORATED ECO 1687	10-16-69
C	INCORPORATED ECO 1069	5-29-69

DWN.	F.T.	DATE	Fender MUSICAL INSTRUMENTS SANTA ANA, CALIFORNIA		
CHK.		DATE	DWC. TITLE SCHEMATIC & WIRING DIAGRAM - TWIN REVERB, TUBE TYPE		
APPD.		DATE	REL. NO.	SIZE	DWG. NO.
APPD.		DATE		D	045377
APPROVAL -			SCALE	MODEL	TUBE TYPE
APPROVAL -			NONE	TWIN REVERB AMP	SHEET 1 OF 2

FENDER MODEL

"TWIN REVERB-AMP AA769" LAYOUT

NOTICE
VOLTAGES READ TO GROUND WITH V.T.V.M.



NOTE: ALL RESISTORS 1/2 WATT 10% TOLERANCE, IF NOT SPECIFIED.

NOTE: ALL CAPACITORS AT LEAST 400 VOLT RATING, IF NOT SPECIFIED.

FENDER MUSICAL INSTRUMENTS
CBS MUSICAL INSTRUMENTS
A DIVISION OF COLUMBIA BROADCASTING SYSTEMS INC.
FULLERTON, CALIFORNIA
U.S.A.

OWN.	F.T.	DATE	Fender MUSICAL INSTRUMENTS SANTA ANA, CALIFORNIA DWG. TITLE SCHEMATIC WIRING DIAGRAM - TWIN REVERB, TUBE TYPE			
CHK.		DATE				
APPD.		DATE				
APPD.		DATE				
APPROVAL-			REL. NO.	SIZE	DWG. NO.	REV.
				D	045377	D
APPROVAL-			SCALE	MODEL	TWIN REVERB AMP TUBE TYPE	SHEET
			8-28-69	NONE		2 OF 2

D	INCORPORATED	ECO 1687
C	INCORPORATED	ECO 1069

REVISIONS