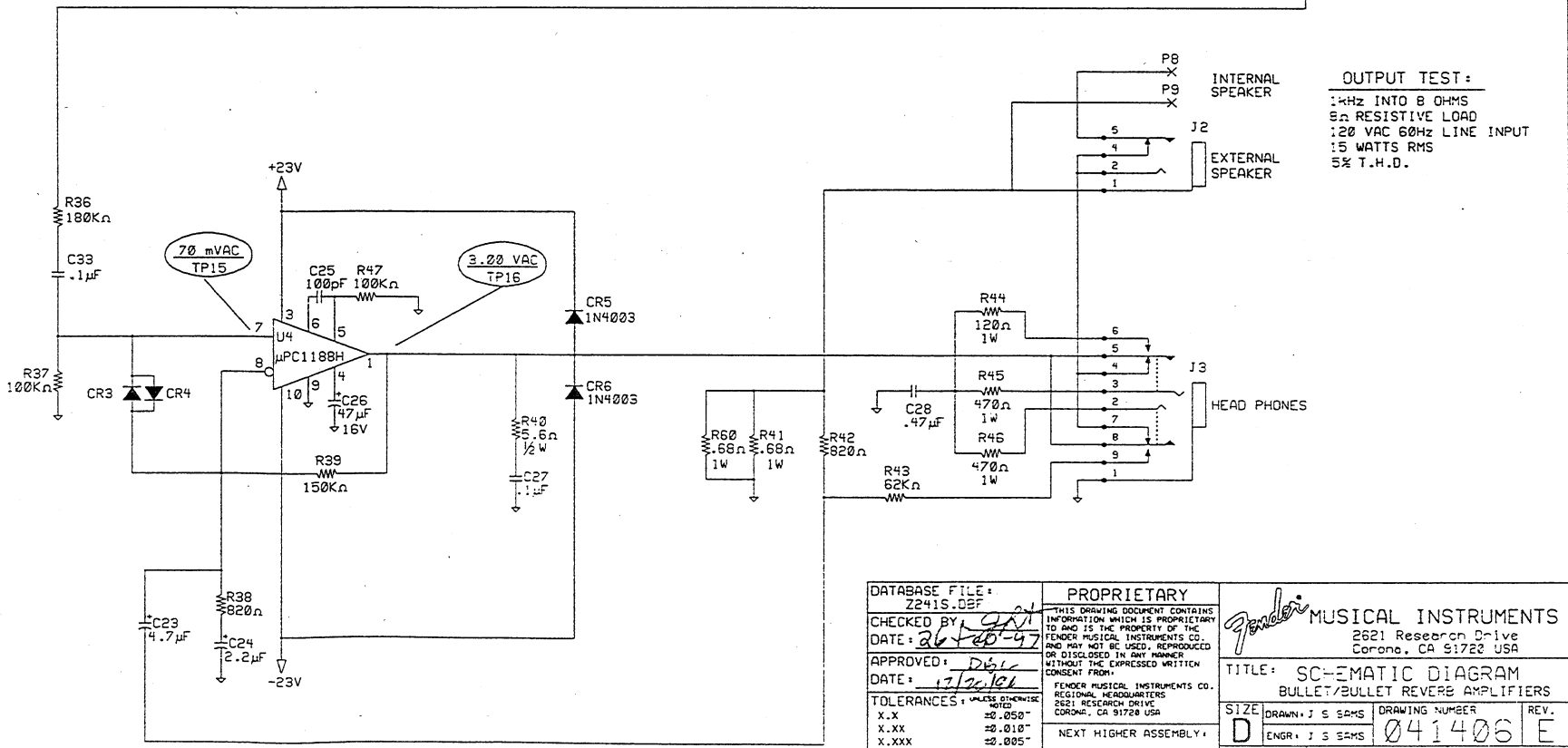
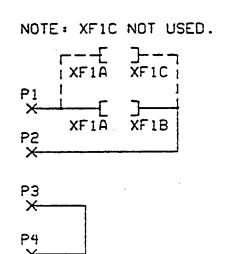
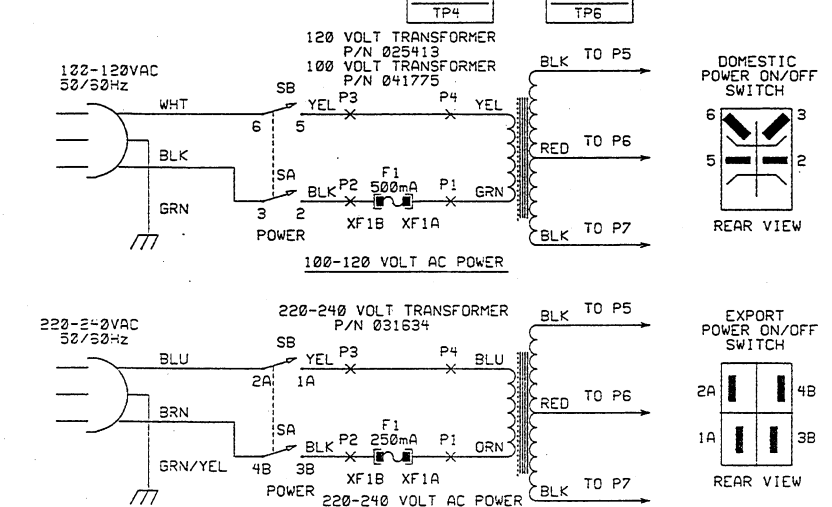
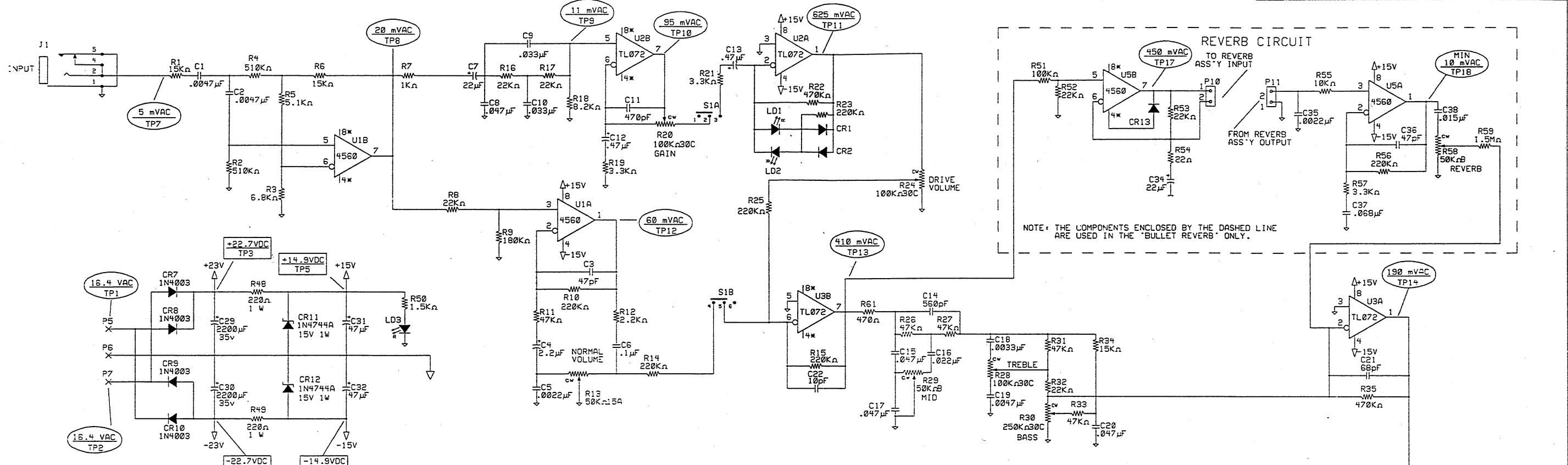


| REVISIONS |      |             |           |          |
|-----------|------|-------------|-----------|----------|
| ZONE      | REV. | DESCRIPTION | DATE      | APPROVED |
|           | A    | PR 241      | 4/2/93    | JSS      |
|           | B    | EC 1015     | 7/1/93    | JSS      |
|           | C    | EC 1042     | 9/15/93   | MH       |
|           | D    | EC 1114     | 10-FEB-94 | MDW      |
|           | E    | LC 1771     | 28-AUG-96 | DBL      |



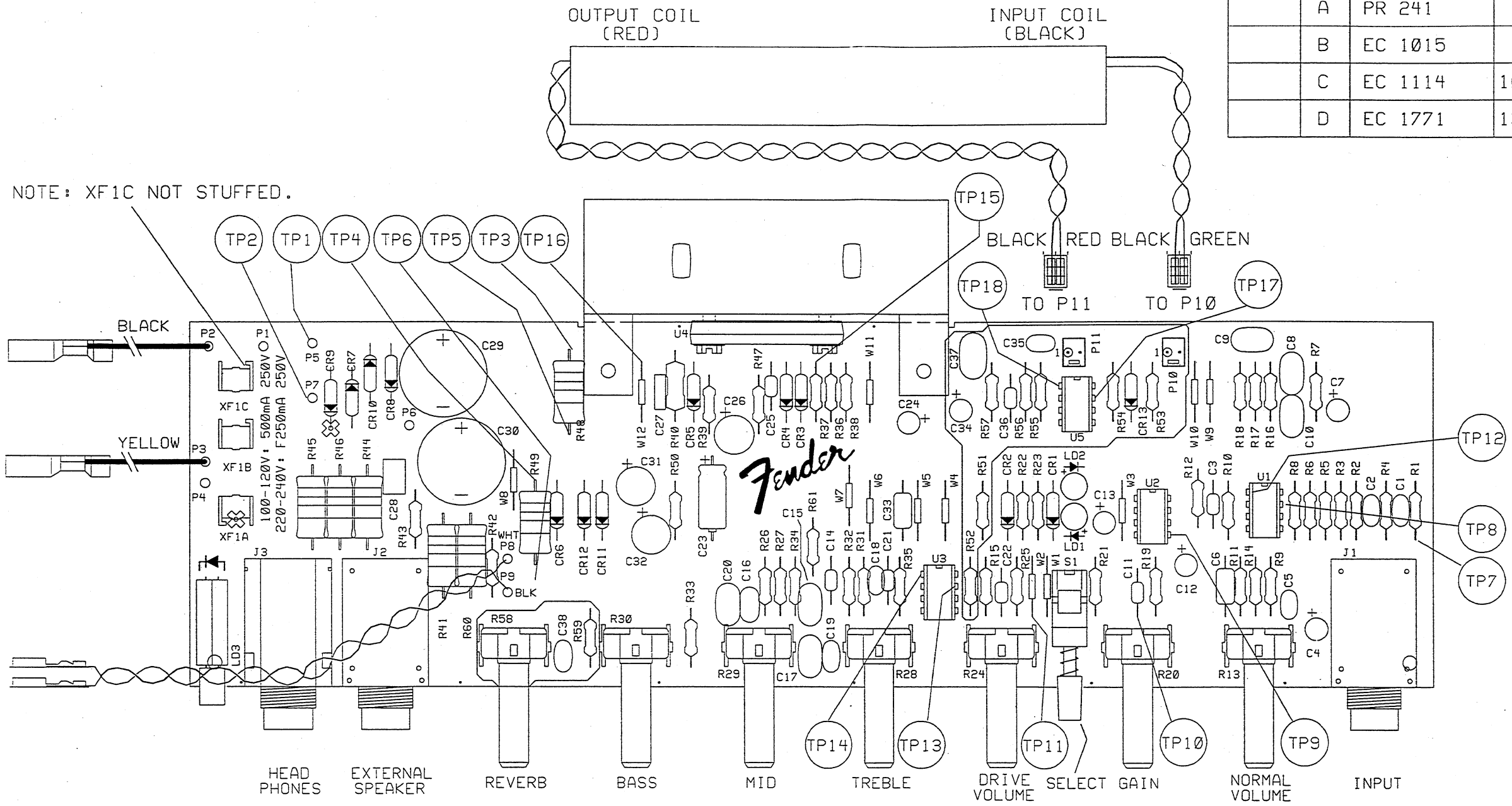
NOTES: UNLESS OTHERWISE SPECIFIED.

- ALL RESISTORS 1/4W, ± 5%.
- ALL CAPACITORS 50V MINIMUM.
- ALL DIODES 1N4448.
- DC VOLTAGES READ TO GROUND WITH A DVM, NO INPUT SIGNAL.
- AC VOLTAGE READINGS TAKEN WITH DVM TO GROUND UNDER THE FOLLOWING CONDITIONS:
  - 1KHz INPUT APPLIED THROUGH 1/4" PLUG TO J1
  - 2Ω RESISTIVE LOAD CONNECTED AT P8, P9
  - GAIN AT 9 O'CLOCK
  - ALL OTHER CONTROLS SET TO 12 O'CLOCK
  - FOR BULLET REVERB ONLY:
    - REVERB UNIT CONNECTED
    - REVERB AT "0"

|   |   |  |
|---|---|--|
| DATABASE FILE:<br>Z2415.DBF<br>CHECKED BY: <i>[Signature]</i><br>DATE: <i>2/2/97</i><br>APPROVED: <i>[Signature]</i><br>DATE: <i>1/20/97</i><br>TOLERANCES: UNLESS OTHERWISE NOTED<br>X.XX ±0.05"<br>X.XXX ±0.010"<br>X.XXX ±0.005"<br>ANGLES ±0.500° | PROPRIETARY<br>THIS DRAWING DOCUMENT CONTAINS INFORMATION WHICH IS PROPRIETARY TO AND IS THE PROPERTY OF THE FENDER MUSICAL INSTRUMENTS CO. AND MAY NOT BE USED, REPRODUCED OR DISCLOSED IN ANY MANNER WITHOUT THE EXPRESSED WRITTEN CONSENT FROM:<br>FENDER MUSICAL INSTRUMENTS CO.<br>REGIONAL HEADQUARTERS<br>2621 RESEARCH DRIVE<br>CORONA, CA 91728 USA<br>NEXT HIGHER ASSEMBLY: | Fender<br>MUSICAL INSTRUMENTS<br>2621 Research Drive<br>Corona, CA 91728 USA<br>TITLE: SCHEMATIC DIAGRAM<br>BULLET/BULLET REVERB AMPLIFIERS<br>SIZE: D<br>DRAWN: J S SAMS<br>ENGR: J S SAMS<br>DRAWING NUMBER: 041406<br>REV: E<br>SCALE: N/A<br>CREATED: 11/18/92<br>PLOTTED: 28-DEC-93 5:55PM 1 OF 1 |
|---|---|--|

REVISIONS

| ZONE | REV. | DESCRIPTION | DATE      | APPROVED |
|------|------|-------------|-----------|----------|
|      | A    | PR 241      | 4/02/93   | JSS      |
|      | B    | EC 1015     | 6/21/93   | JSS      |
|      | C    | EC 1114     | 10-FEB-94 | MDW      |
|      | D    | EC 1771     | 13-DEC-96 | DBL      |



NOTE: XF1C NOT STUFFED.

|                           |                 |
|---------------------------|-----------------|
| FILM/DWG: SERVICE DIAGRAM |                 |
| DATABASE: Z241P.DBF       | DATE: 20-DEC-96 |
| LAYERS PLOTTED: 1 2 3 4   | 10              |
|                           | 18              |

NOTE: THE FOLLOWING PCB COMPONENTS ARE USED IN THE BULLET REVERB AMPLIFIER ONLY: C34-C38, CR13, R51-R59, P10, P11, U5 THESE COMPONENTS ARE SHOWN ENCLOSED IN BOXES ABOVE AND ON THE PCB.

|                                    |
|------------------------------------|
| DATABASE FILE:<br>Z241P.DBF        |
| CHECKED BY: <i>JHS</i>             |
| DATE: <i>26-Feb-97</i>             |
| APPROVED: <i>DBL</i>               |
| DATE: <i>12/20/96</i>              |
| TOLERANCES: UNLESS OTHERWISE NOTED |
| X.X ±0.050"                        |
| X.XX ±0.010"                       |
| X.XXX ±0.005"                      |
| ANGLES ±0.500°                     |

**PROPRIETARY**

THIS DRAWING DOCUMENT CONTAINS INFORMATION WHICH IS PROPRIETARY TO AND IS THE PROPERTY OF THE FENDER MUSICAL INSTRUMENTS CO. AND MAY NOT BE USED, REPRODUCED OR DISCLOSED IN ANY MANNER WITHOUT THE EXPRESSED WRITTEN CONSENT FROM:

FENDER MUSICAL INSTRUMENTS CO.  
REGIONAL HEADQUARTERS  
2621 RESEARCH DRIVE  
CORONA, CA 91720 USA

NEXT HIGHER ASSEMBLY:

**Fender** MUSICAL INSTRUMENTS  
2621 Research Drive  
Corona, CA 91720 USA

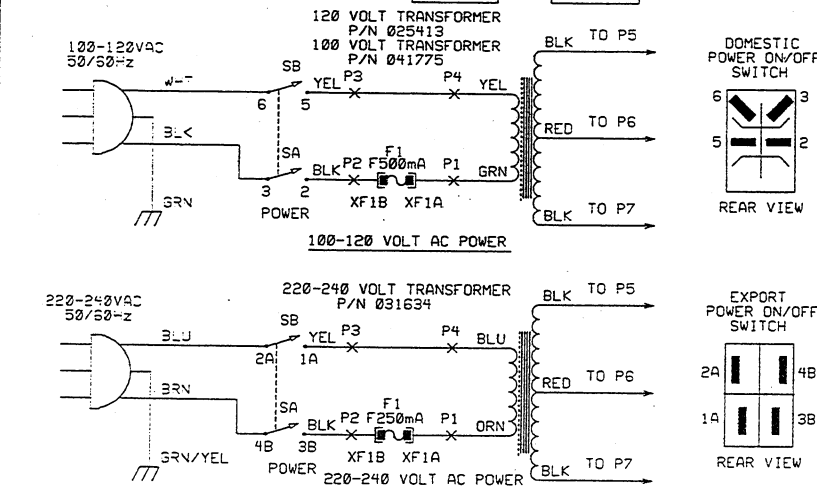
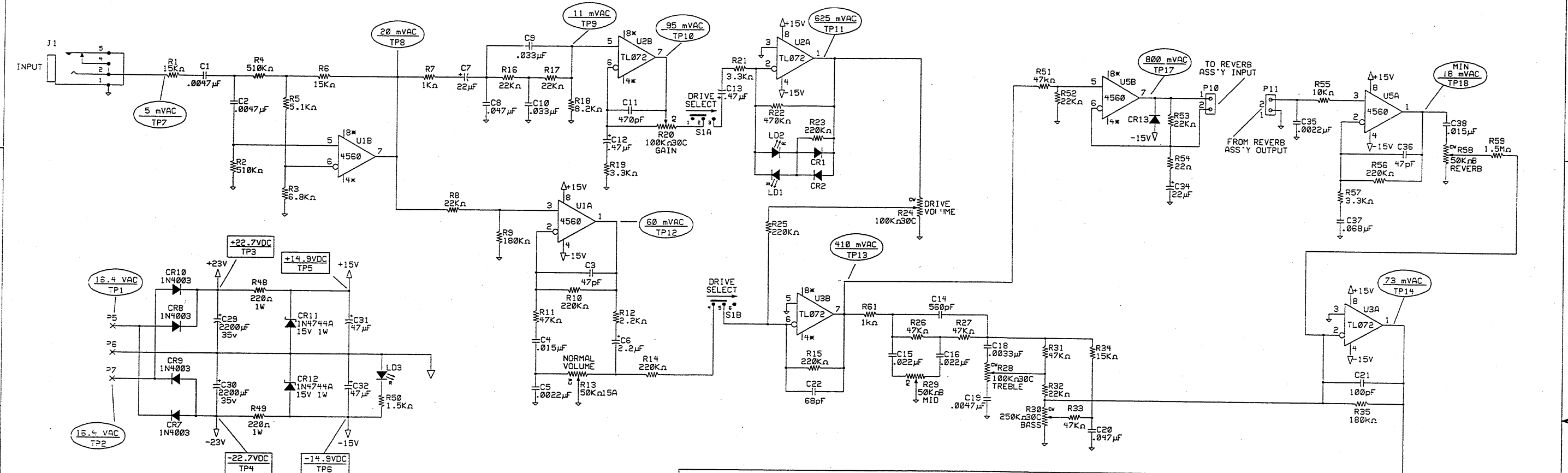
TITLE: BULLET GUITAR AMPLIFIERS  
SERVICE DIAGRAM

|          |                |                |      |
|----------|----------------|----------------|------|
| SIZE     | DRAWN: D.LEWIS | DRAWING NUMBER | REV. |
| <b>B</b> | ENGR: D.LEWIS  | 041408         | D    |

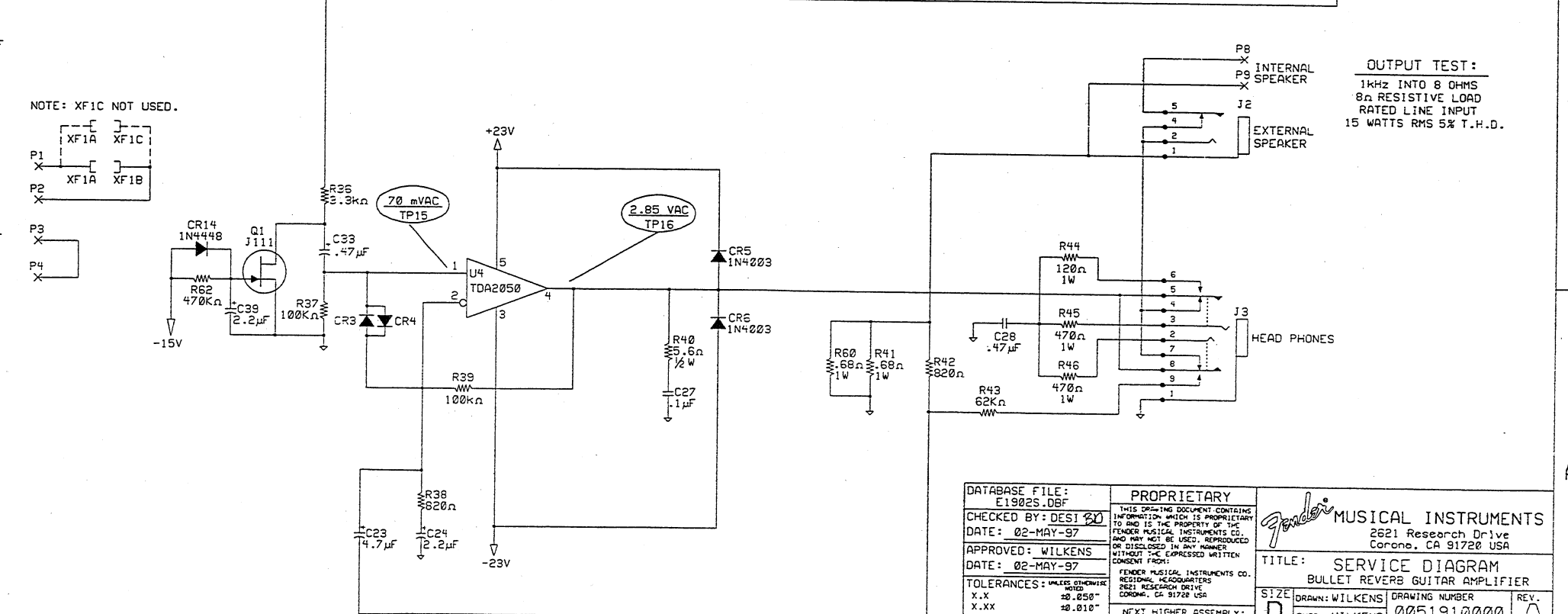
SCALE: N/A

CREATED: 8/23/96  
PLOTTED: 20-DEC-96 SHEET 1 OF 1

| REVISIONS |      |                 |           |          |
|-----------|------|-----------------|-----------|----------|
| ZONE      | REV. | DESCRIPTION     | DATE      | APPROVED |
|           | A    | RELEASED EC1902 | 02-MAY-97 | MDW      |



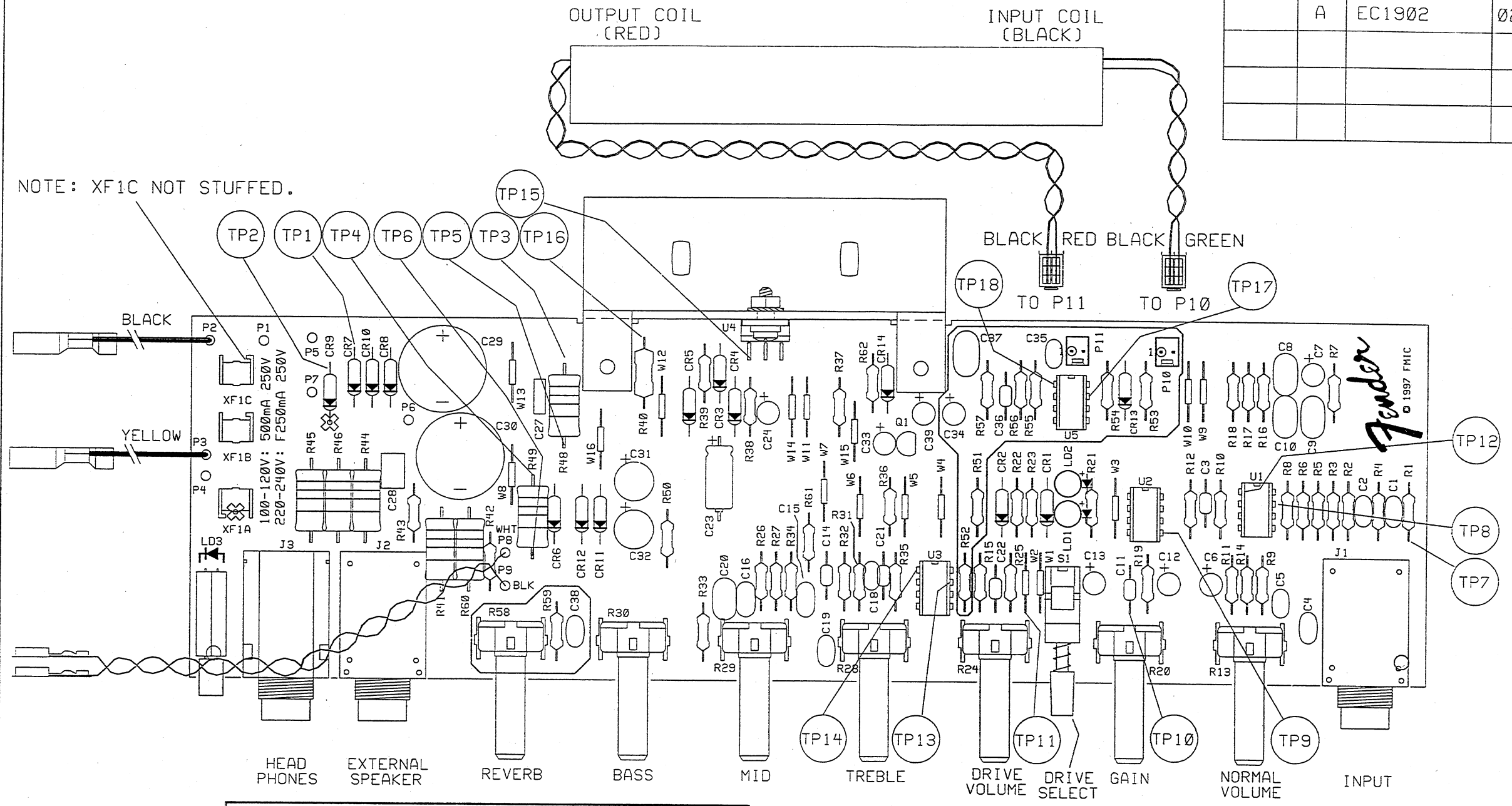
- NOTES: UNLESS OTHERWISE SPECIFIED.
- ALL RESISTORS 1/4W, ± 5%.
  - ALL CAPACITORS 50V MINIMUM.
  - ALL DIODES 1N4448.
  - DC VOLTAGES READ TO GROUND WITH A DVM. NO INPUT SIGNAL.
  - AC VOLTAGE READINGS TAKEN WITH DVM TO GROUND UNDER THE FOLLOWING CONDITIONS:  
 1KHz INPUT APPLIED THROUGH 1/4" PLUG TO J1  
 8Ω RESISTIVE LOAD CONNECTED AT P8, P9  
 3Amps @ 120V AC  
 ALL OTHER CONTROLS SET TO 12 O'CLOCK  
 FOR BULLET REVERBS ONLY:  
 REVERB UNCONNECTED  
 REVERB AT 0
  - INSTANCES NOT USED: C17 C25 C26 R47



|  |  |  |
|--|--|--|
| DATABASE FILE:<br>E1902S.DBF<br>CHECKED BY: DESI 20<br>DATE: 02-MAY-97<br>APPROVED: WILKENS<br>DATE: 02-MAY-97<br>TOLERANCES: UNLESS OTHERWISE NOTED<br>X.X ±0.050"<br>X.XX ±0.010"<br>X.XXX ±0.005"<br>ANGLES ±0.500° | PROPRIETARY<br>THIS DRAWING DOCUMENT CONTAINS INFORMATION WHICH IS PROPRIETARY TO AND IS THE PROPERTY OF THE FENDER MUSICAL INSTRUMENTS CO. AND MAY NOT BE USED, REPRODUCED OR DISCLOSED IN ANY MANNER WITHOUT THE EXPRESSED WRITTEN CONSENT FROM:<br>FENDER MUSICAL INSTRUMENTS CO.<br>RESIDUAL HEADQUARTERS<br>2621 RESEARCH DRIVE<br>CORONA, CA 91720 USA | Fender MUSICAL INSTRUMENTS<br>2621 Research Drive<br>Corona, CA 91720 USA<br>TITLE: SERVICE DIAGRAM<br>BULLET REVERB GUITAR AMPLIFIER<br>SIZE: DRAWN: WILKENS DRAWING NUMBER: 0051910000 REV. A<br>ENGR: WILKENS<br>SCALE: N/A PLOTTED: 05-JUN-97 SHEET 1 OF 2 |
|--|--|--|

REVISIONS

| ZONE | REV. | DESCRIPTION | DATE      | APPROVED |
|------|------|-------------|-----------|----------|
|      | A    | EC1902      | 02-MAY-97 | MDW      |
|      |      |             |           |          |
|      |      |             |           |          |



F.I.L.M./D.W.G.: SERVICE DIAGRAM  
 DATABASE: E1902P.DBF DATE: 05-JUN-97  
 LAYERS PLOTTED: 1 2 3 4 10  
 18

DATABASE FILE:  
E1902P.DBF  
 CHECKED BY: BDesi  
 DATE: 6/5/97  
 APPROVED: [Signature]  
 DATE: 6/5/97  
 TOLERANCES: UNLESS OTHERWISE NOTED  
 X.X ±0.050"  
 X.XX ±0.010"  
 X.XXX ±0.005"  
 ANGLES ±0.500°

PROPRIETARY  
 THIS DRAWING DOCUMENT CONTAINS INFORMATION WHICH IS PROPRIETARY TO AND IS THE PROPERTY OF THE FENDER MUSICAL INSTRUMENTS CO. AND MAY NOT BE USED, REPRODUCED OR DISCLOSED IN ANY MANNER WITHOUT THE EXPRESSED WRITTEN CONSENT FROM:  
 FENDER MUSICAL INSTRUMENTS CO.  
 REGIONAL HEADQUARTERS  
 2621 RESEARCH DRIVE  
 CORONA, CA 91720 USA  
 NEXT HIGHER ASSEMBLY:

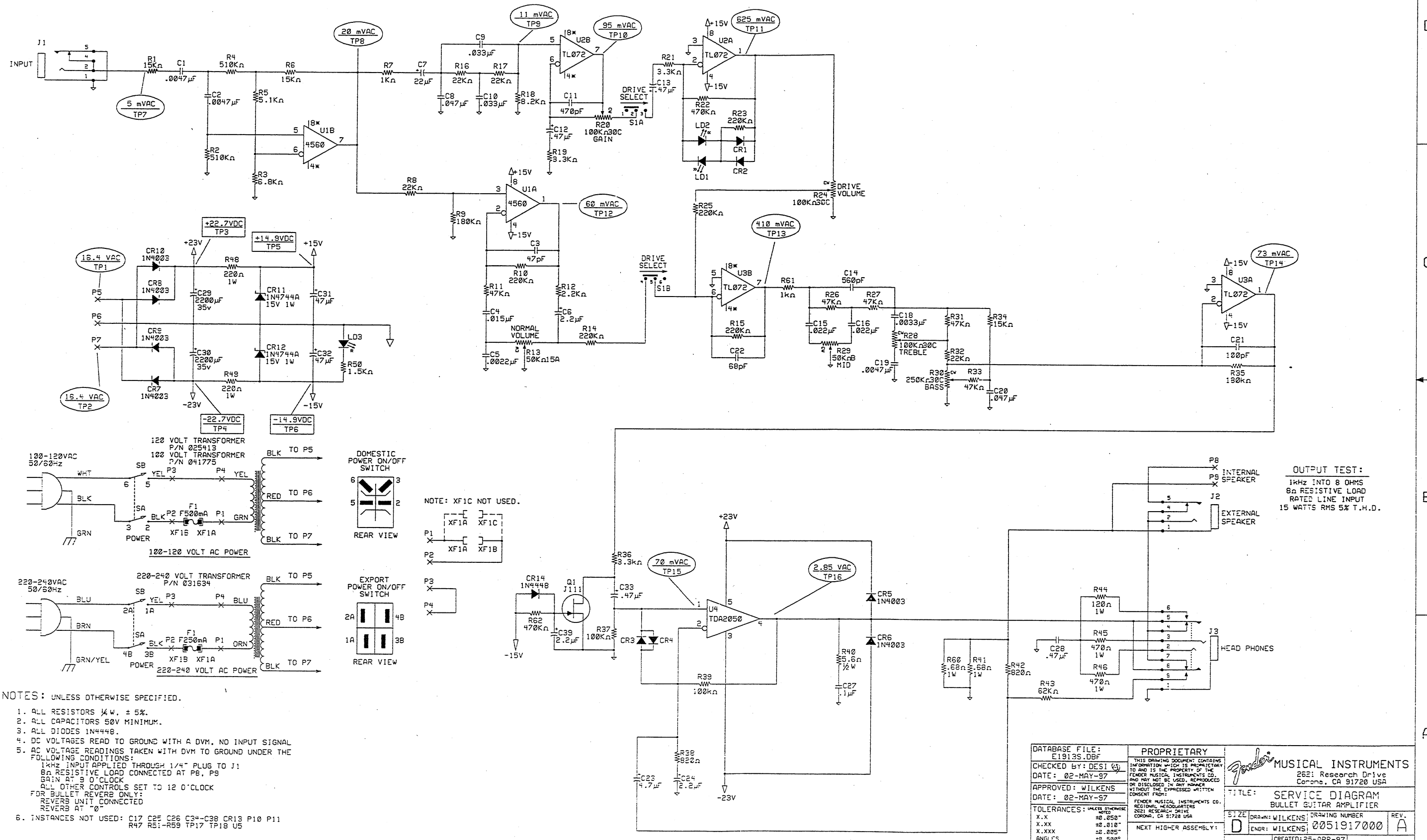
**Fender** MUSICAL INSTRUMENTS  
 2621 Research Drive  
 Corona, CA 91720 USA

TITLE: SERVICE DIAGRAM  
 BULLET REVERB AMPLIFIER

|      |                |                |      |
|------|----------------|----------------|------|
| SIZE | DRAWN: WILKENS | DRAWING NUMBER | REV. |
| B    | ENGR: WILKENS  | 0051910000     | A    |

SCALE: N/A  
 CREATED: 15-APR-97  
 PLOTTED: 05-JUN-97 SHEET 2 OF 2

| REVISIONS |      |                 |           |          |
|-----------|------|-----------------|-----------|----------|
| ZONE      | REV. | DESCRIPTION     | DATE      | APPROVED |
|           | A    | RELEASED EC1913 | 02-MAY-97 | MDW      |



- NOTES: UNLESS OTHERWISE SPECIFIED.
- ALL RESISTORS 1/4 W, ± 5%.
  - ALL CAPACITORS 50V MINIMUM.
  - ALL DIODES 1N4448.
  - DC VOLTAGES READ TO GROUND WITH A DVM, NO INPUT SIGNAL.
  - AC VOLTAGE READINGS TAKEN WITH DVM TO GROUND UNDER THE FOLLOWING CONDITIONS:  
 1KHz INPUT APPLIED THROUGH 1/4" PLUG TO J1;  
 8Ω RESISTIVE LOAD CONNECTED AT P8, P9  
 GAIN AT 9 O'CLOCK  
 ALL OTHER CONTROLS SET TO 12 O'CLOCK  
 FOR BULLET REVERB ONLY:  
 REVERB UNIT CONNECTED  
 REVERB AT 0
  - INSTANCES NOT USED: C17 C25 C26 C34-C38 CR13 P10 P11 R47 R51-R59 TP17 TP18 U5

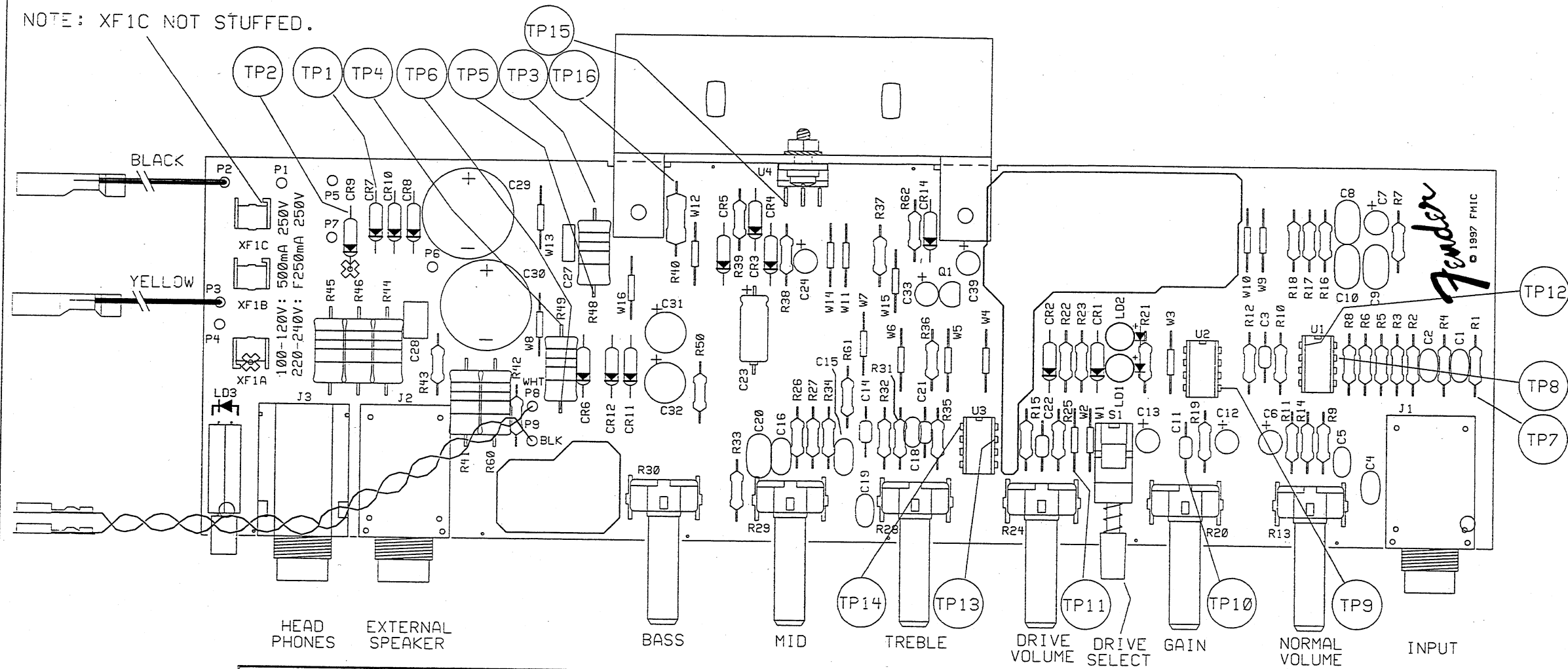
OUTPUT TEST:  
 1kHz INTO 8 OHMS  
 8Ω RESISTIVE LOAD  
 RATED LINE INPUT  
 15 WATTS RMS 5% T.H.D.

|  |   |  |
|--|---|--|
| DATABASE FILE:<br>E1913.DBF<br>CHECKED BY: DESI (S)<br>DATE: 02-MAY-97<br>APPROVED: WILKENS<br>DATE: 02-MAY-97<br>TOLERANCES: UNLESS OTHERWISE NOTED<br>X.X ±0.050"<br>X.XX ±0.010"<br>X.XXX ±0.005"<br>ANGLES ±0.500° | PROPRIETARY<br>THIS DRAWING DOCUMENT CONTAINS INFORMATION WHICH IS PROPRIETARY TO AND IS THE PROPERTY OF THE FENDER MUSICAL INSTRUMENTS CO. AND MAY NOT BE USED, REPRODUCED OR DISCLOSED IN ANY MANNER WITHOUT THE EXPRESSED WRITTEN CONSENT FROM:<br>FENDER MUSICAL INSTRUMENTS CO.<br>REGIONAL HEADQUARTERS<br>2621 RESEARCH DRIVE<br>CORONA, CA 91728 USA<br>NEXT HIGHER ASSEMBLY: | Fender MUSICAL INSTRUMENTS<br>2621 Research Drive<br>Corona, CA 91720 USA<br>TITLE: SERVICE DIAGRAM<br>BULLET GUITAR AMPLIFIER<br>SIZE: DRAWN: WILKENS; DRAWING NUMBER: 0051917000<br>ENGR: WILKENS; REV: A<br>SCALE: N/A<br>CREATED: 25-APR-97<br>PLOTTED: 06-JUN-97 SHEET 1 OF 2 |
|--|---|--|

REVISIONS

| ZONE | REV. | DESCRIPTION | DATE      | APPROVED |
|------|------|-------------|-----------|----------|
|      | A    | EC1913      | 02-MAY-97 | MDW      |
|      |      |             |           |          |
|      |      |             |           |          |

NOTE: XF1C NOT STUFFED.



|                           |                 |
|---------------------------|-----------------|
| FILM/DWG: SERVICE DIAGRAM |                 |
| DATABASE: E1913P.DBF      | DATE: 06-JUN-97 |
| LAYERS PLOTTED: 1 2 3 4   | 10              |
|                           | 18              |

|                                    |         |
|------------------------------------|---------|
| DATABASE FILE:<br>E1913P.DBF       |         |
| CHECKED BY: <i>B West</i>          |         |
| DATE: <i>6-16-97</i>               |         |
| APPROVED: <i>MDW</i>               |         |
| DATE: <i>6/16/97</i>               |         |
| TOLERANCES: UNLESS OTHERWISE NOTED |         |
| X.X                                | ±0.050" |
| X.XX                               | ±0.010" |
| X.XXX                              | ±0.005" |
| ANGLES                             | ±0.500° |

**PROPRIETARY**  
 THIS DRAWING DOCUMENT CONTAINS INFORMATION WHICH IS PROPRIETARY TO AND IS THE PROPERTY OF THE FENDER MUSICAL INSTRUMENTS CO. AND MAY NOT BE USED, REPRODUCED OR DISCLOSED IN ANY MANNER WITHOUT THE EXPRESSED WRITTEN CONSENT FROM:  
 FENDER MUSICAL INSTRUMENTS CO.  
 REGIONAL HEADQUARTERS  
 2621 RESEARCH DRIVE  
 CORONA, CA 91720 USA  
 NEXT HIGHER ASSEMBLY:

**Fender** MUSICAL INSTRUMENTS  
 2621 Research Drive  
 Corona, CA 91720 USA

TITLE: SERVICE DIAGRAM  
 BULLET AMPLIFIER

|          |                |                |      |
|----------|----------------|----------------|------|
| SIZE     | DRAWN: WILKENS | DRAWING NUMBER | REV. |
| <b>B</b> | ENGR: WILKENS  | 0051917000     | A    |

SCALE: N/A  
 CREATED: 15-APR-97  
 PLOTTED: 06-JUN-97 SHEET 2 OF 2