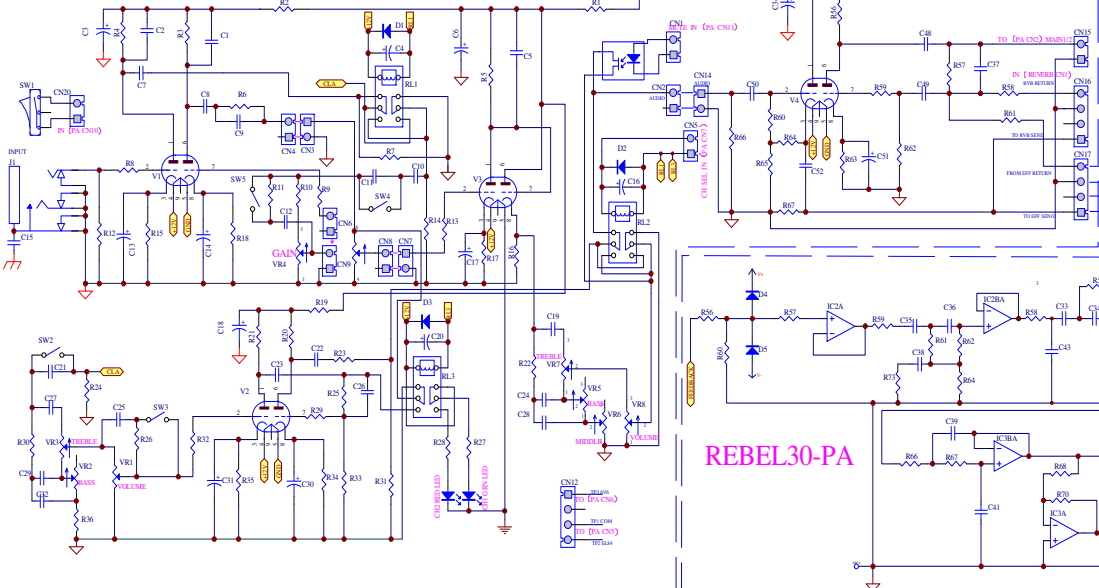
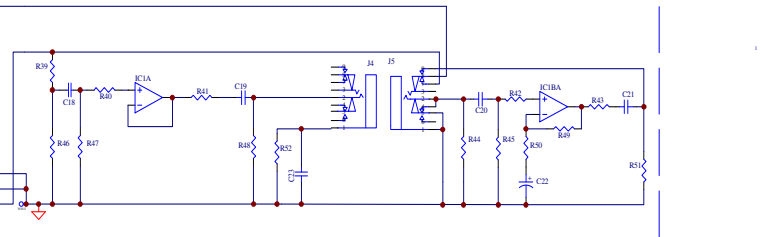


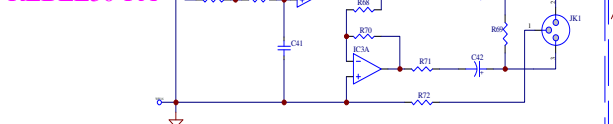
REBEL30-PRE



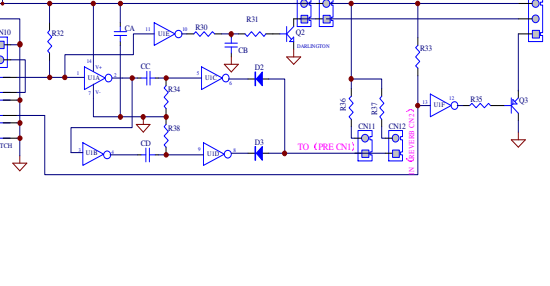
REBEL30-PA



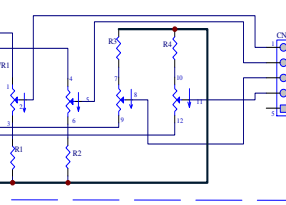
REBEL30-PA



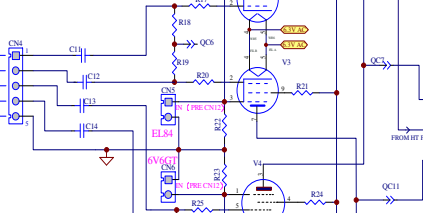
REBEL30-PA



REBEL30-MIX



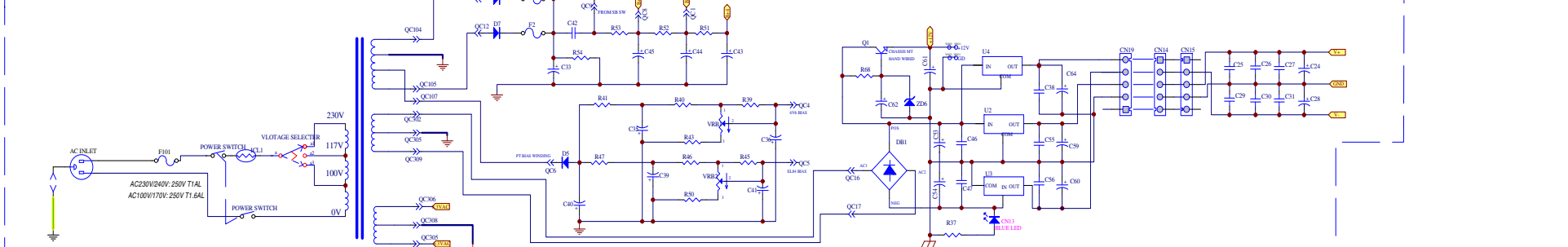
REBEL30-PA



REBEL30-PA



REBEL30-WATTS



| | | |
|-------------|--------|---------|
| Title | | REBEL30 |
| Size | Number | |
| Application | | |
| Author | | |
| Date | | |