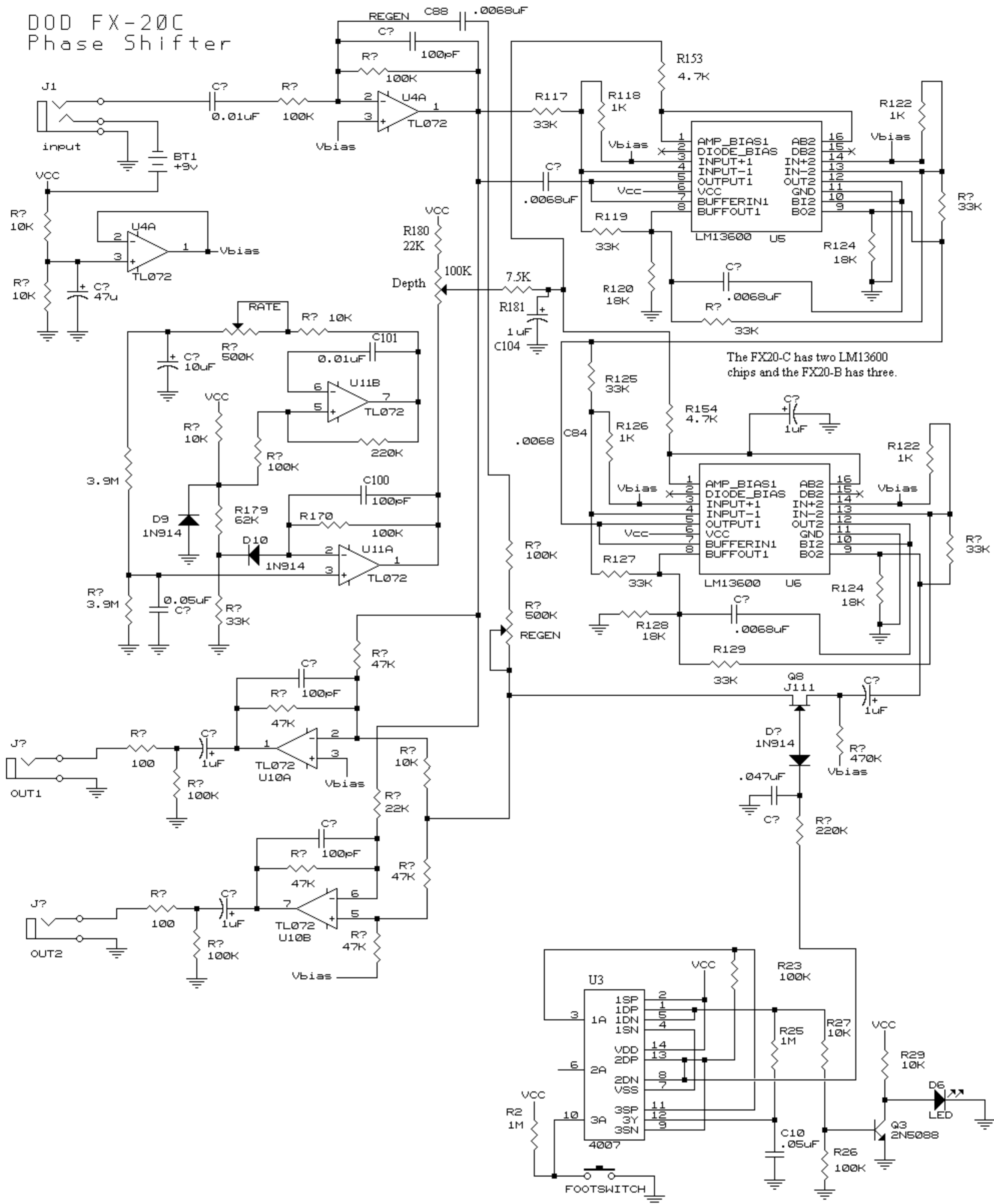


DOD FX-20C Phase Shifter



The FX20-C has two LM13600 chips and the FX20-B has three.