

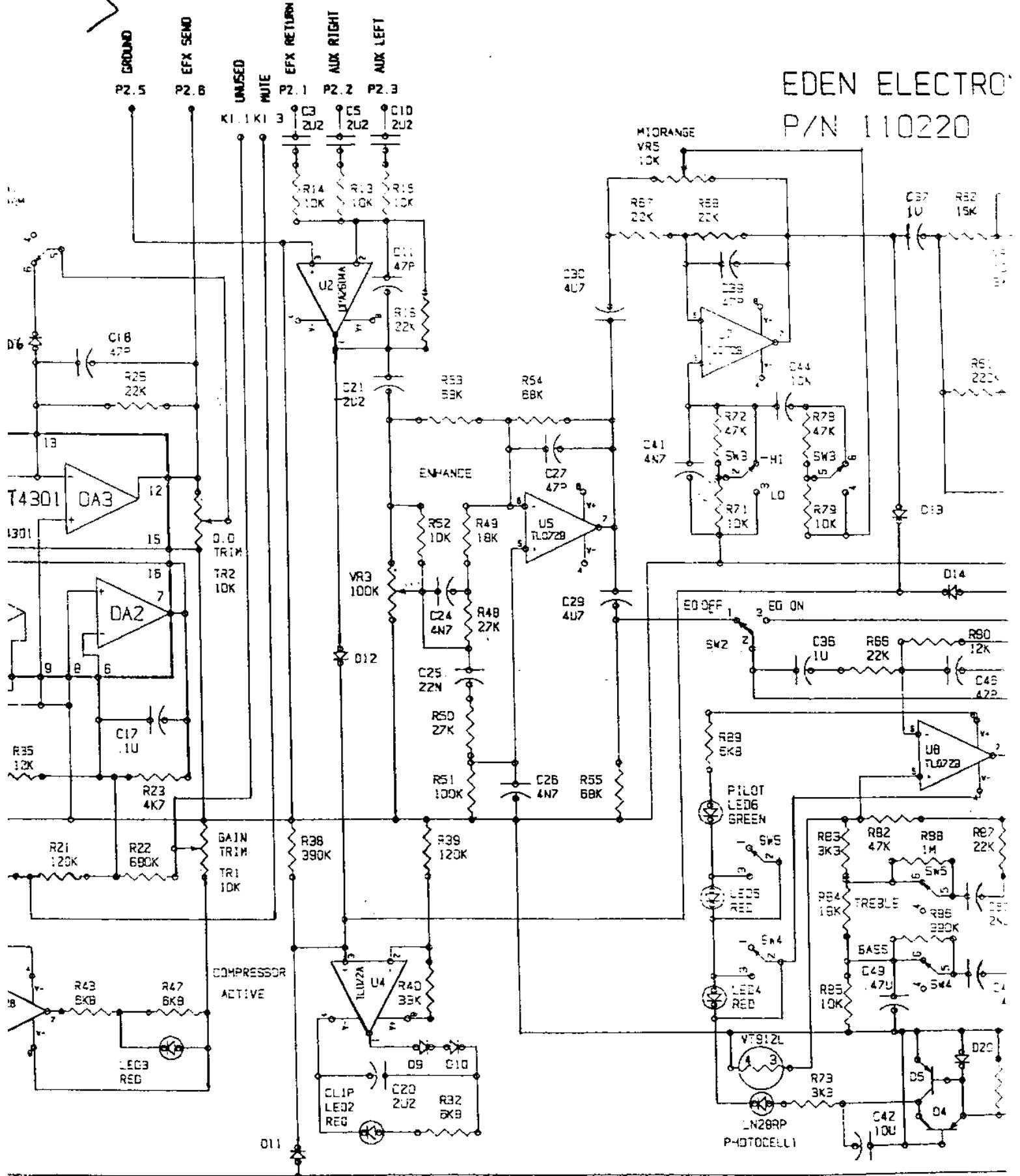
S4
W.A.

DI

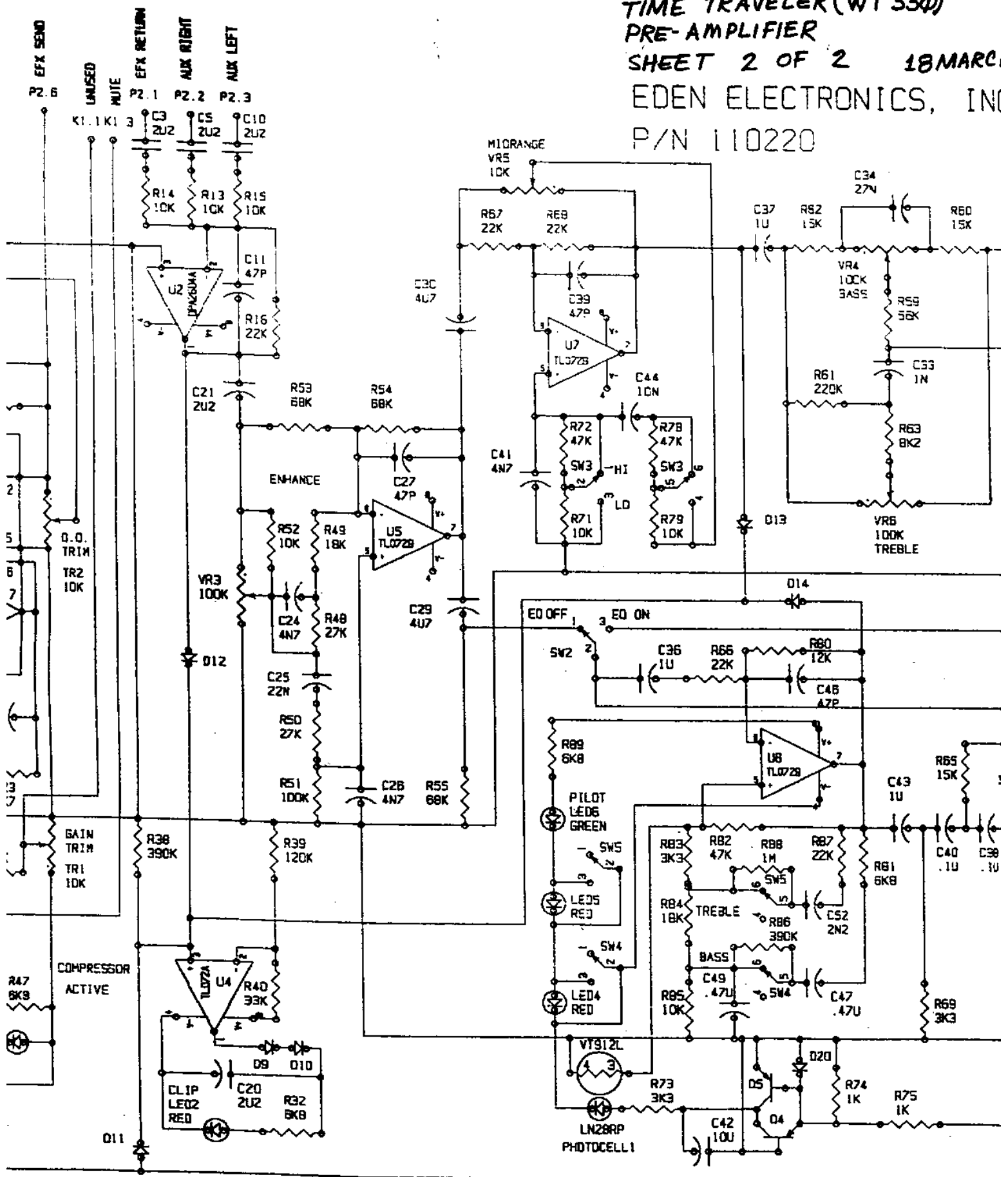
E

EDEN ELECTRO

P/N 110220

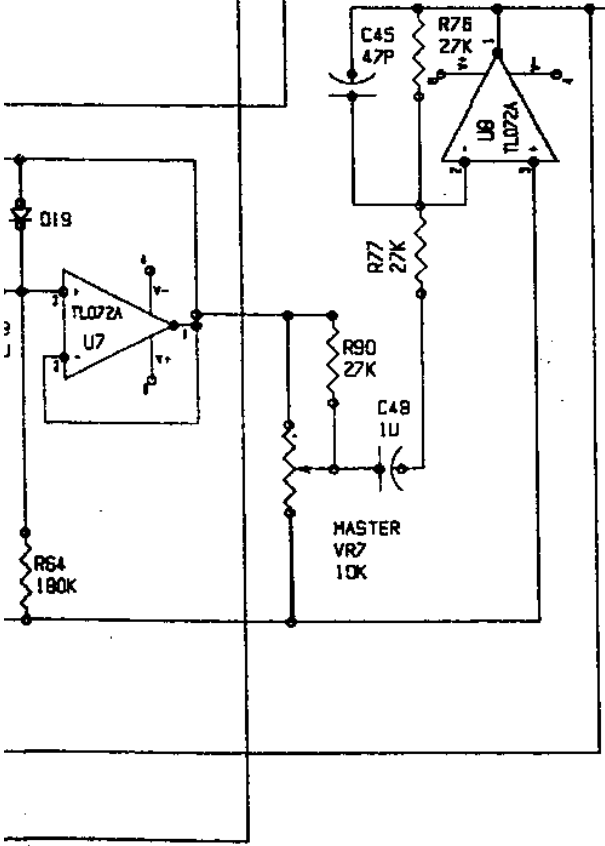
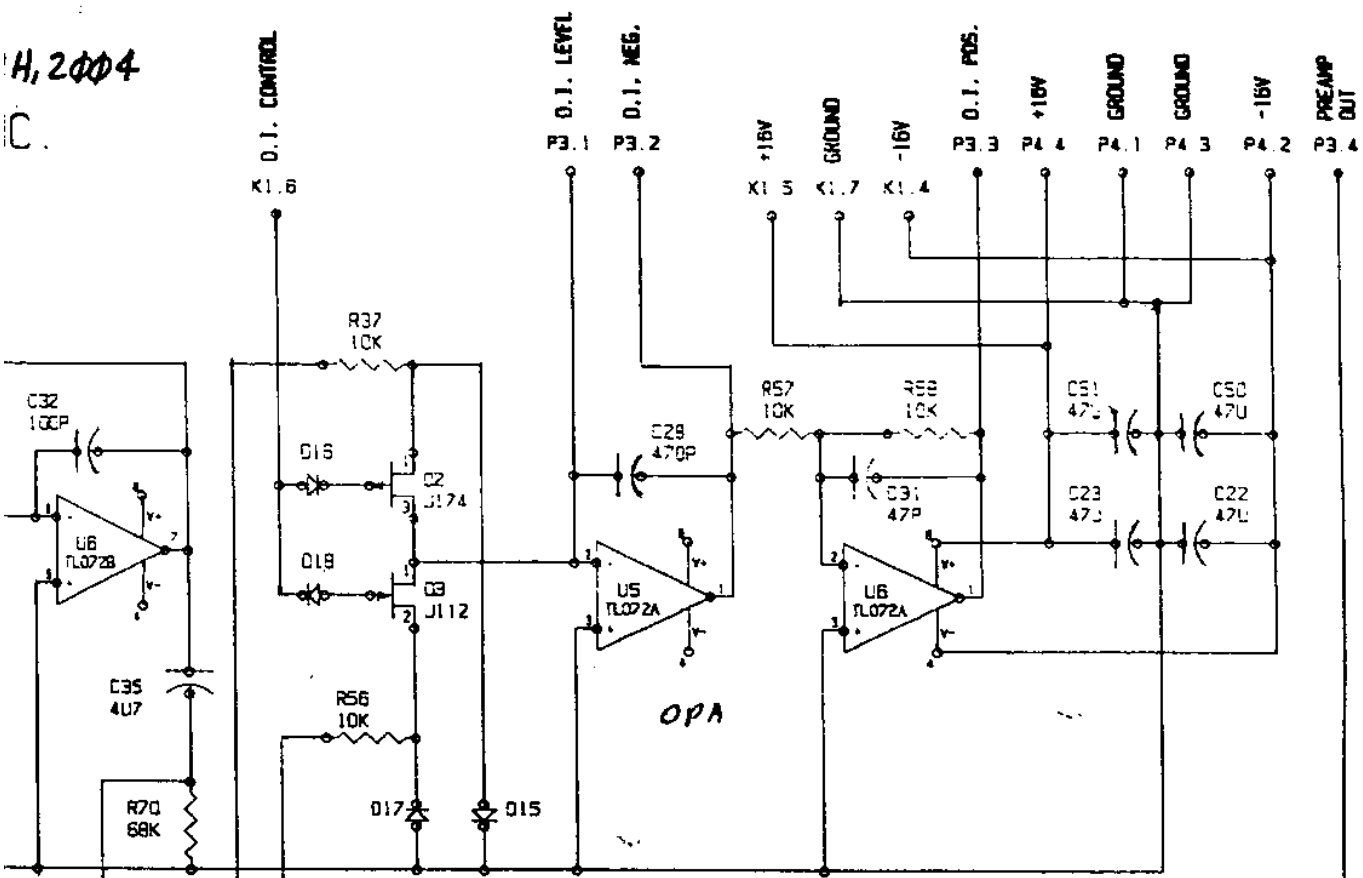


TIME TRAVELER (WT 330)
 PRE-AMPLIFIER
 SHEET 2 OF 2 18 MARC
 EDEN ELECTRONICS, INC
 P/N 110220

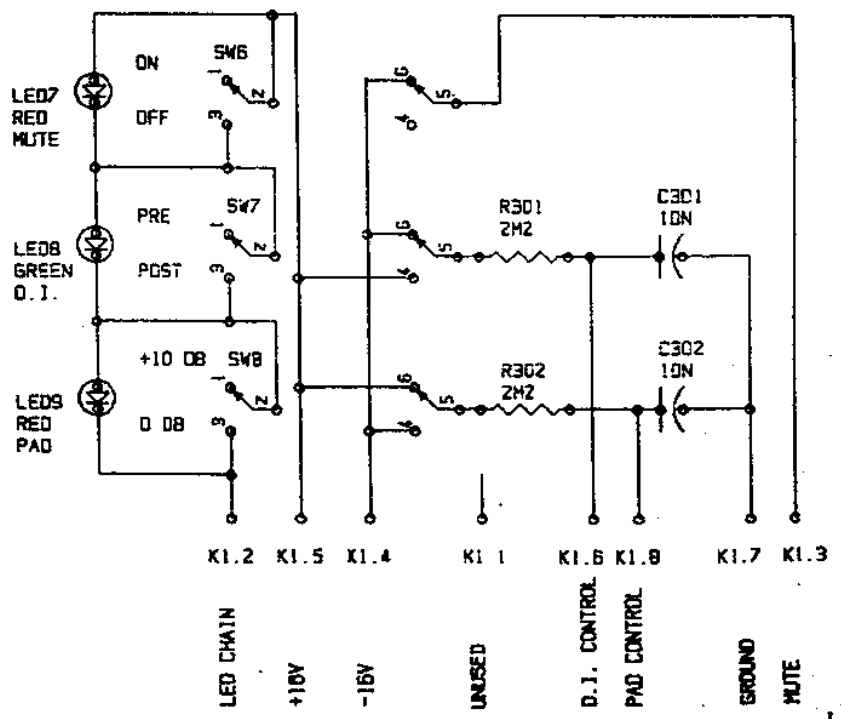


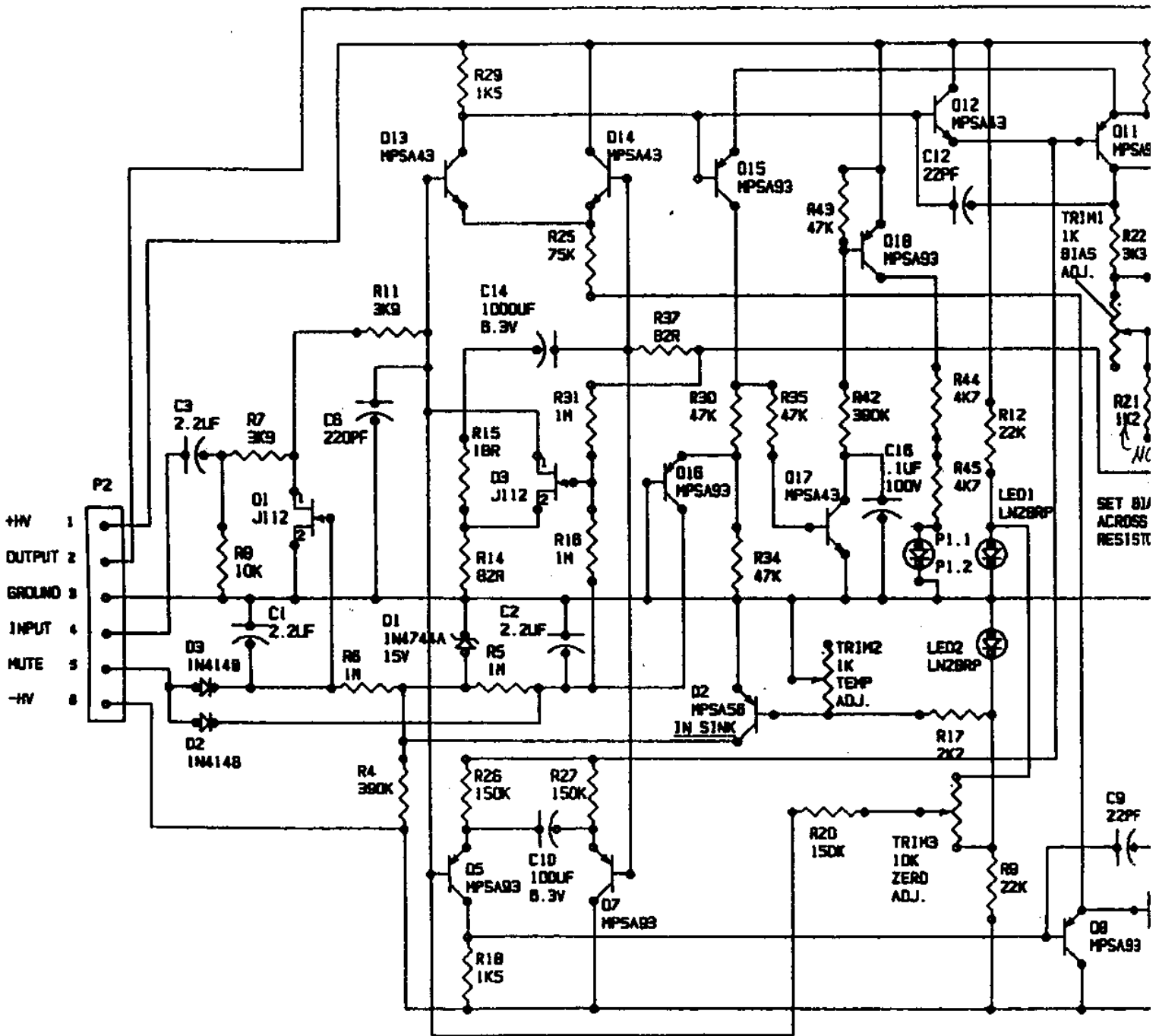
H, 2004

C.

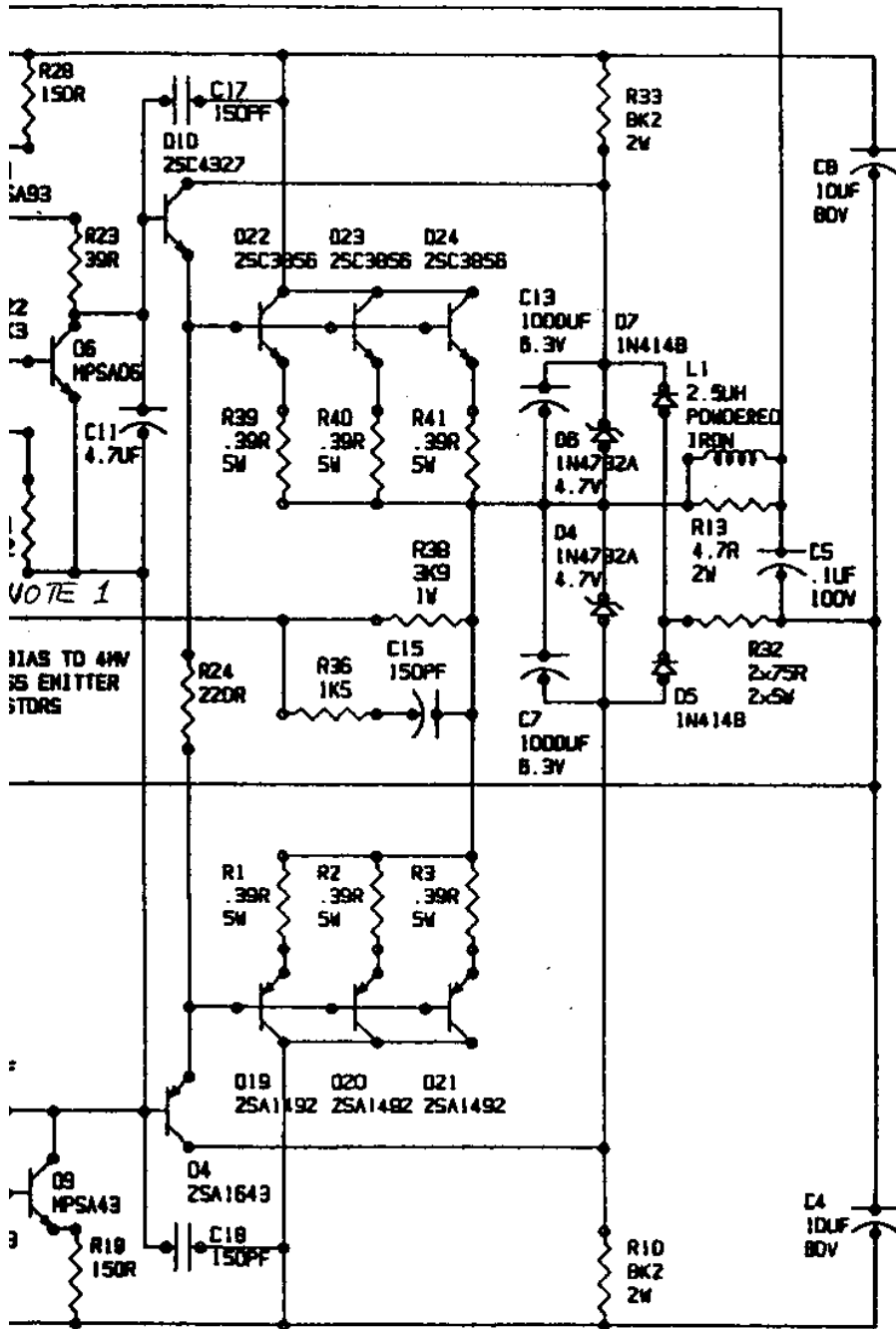


EDEN ELECTRONICS, INC. 12-01-00
P/N 110221





EDEN ELECTRONICS, INC
 P/N 110227.03 2-12-0



TIME TRAVELER (WT33Φ)
POWER AMPLIFIER.

NOTE 1: SOME LATER UNITS
WILL HAVE 1.0KΩ FOR
R21.

VC.

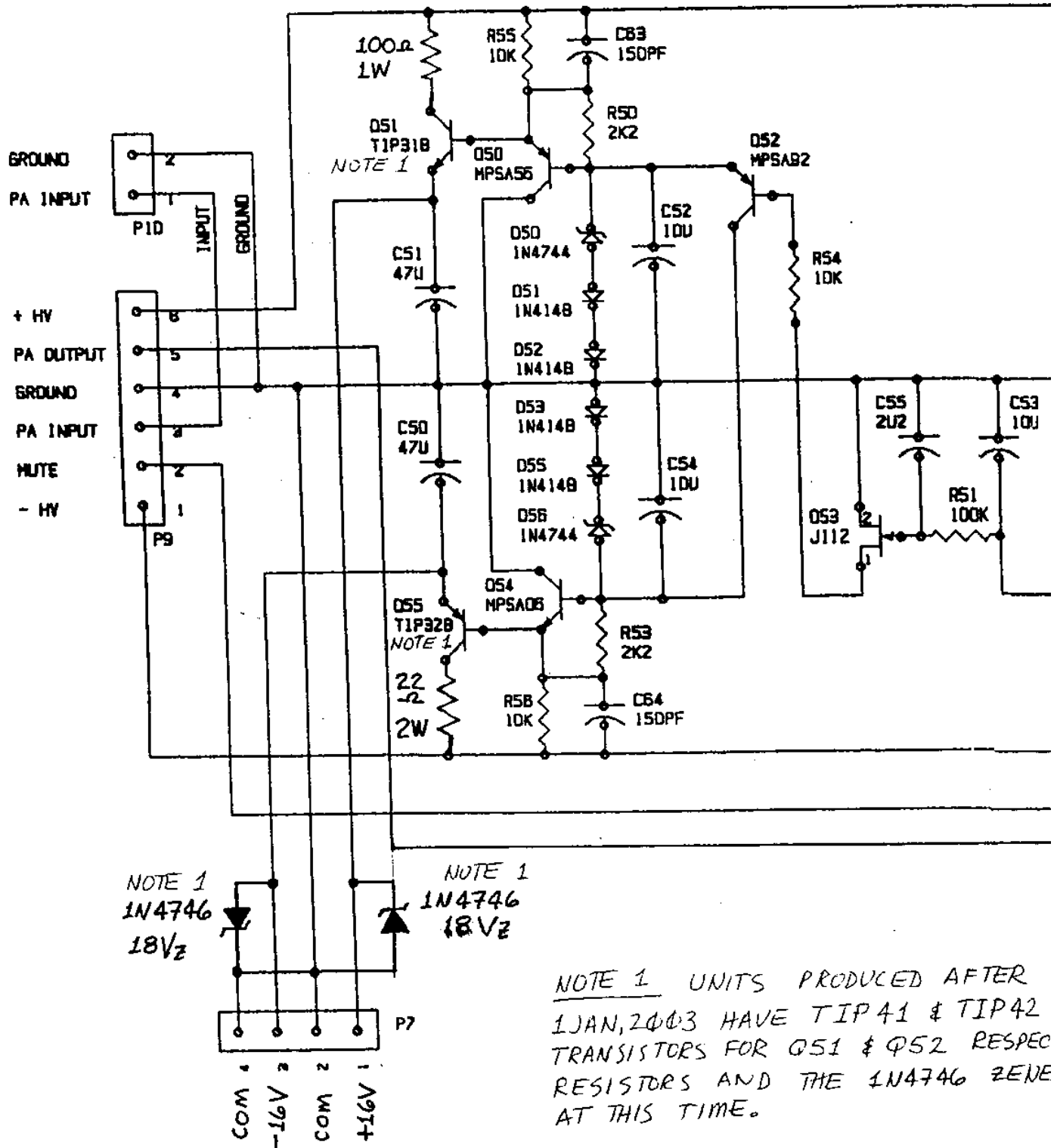
·01

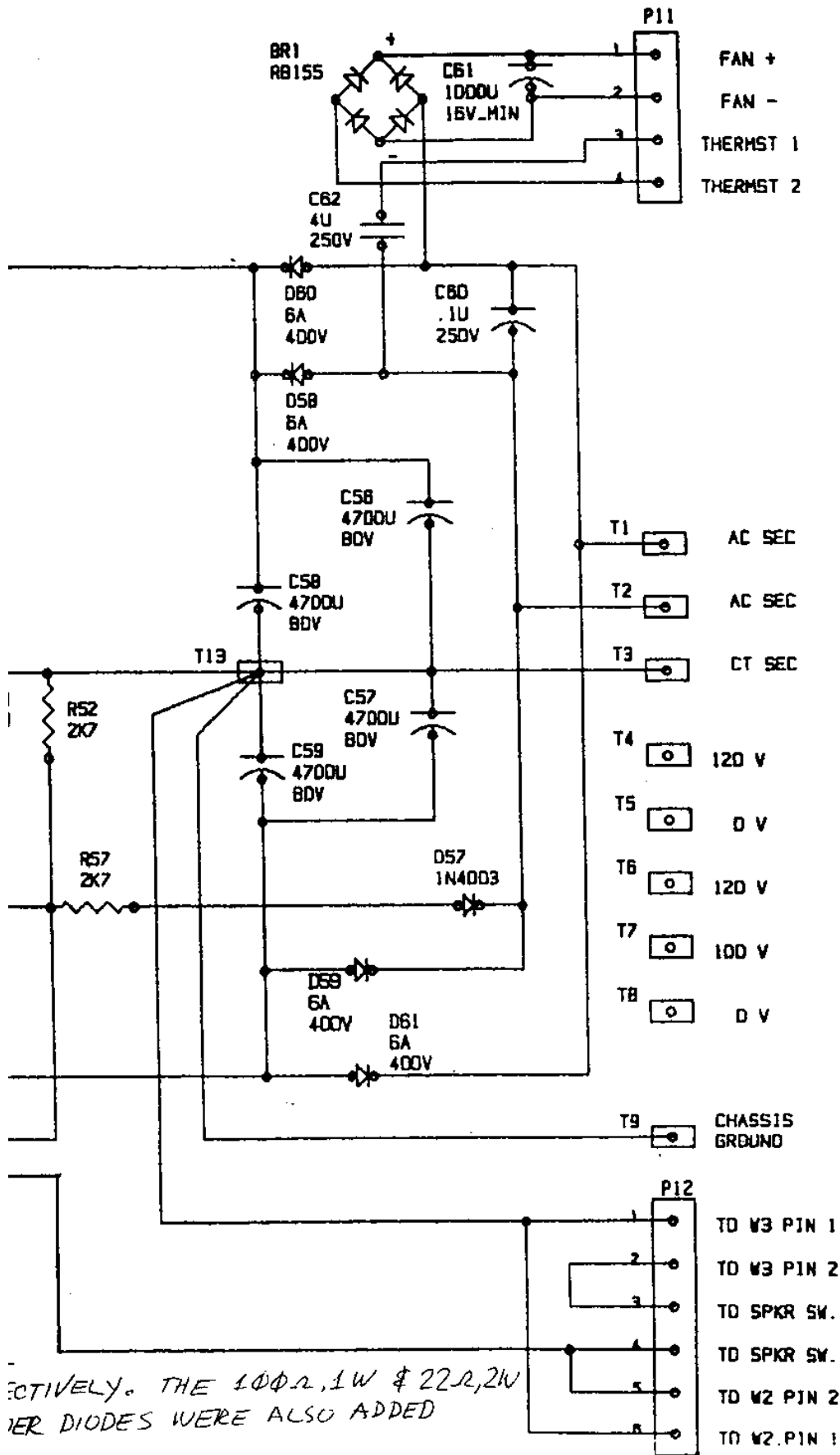
TIME TRAVELER (WT330) POWER SUPPLY

EDEN ELECTRONICS, INC.

P/N 110226.03

18 MARCH, 2004





ACTIVELY. THE 100Ω, 1W & 22Ω, 2W
 DIODES WERE ALSO ADDED