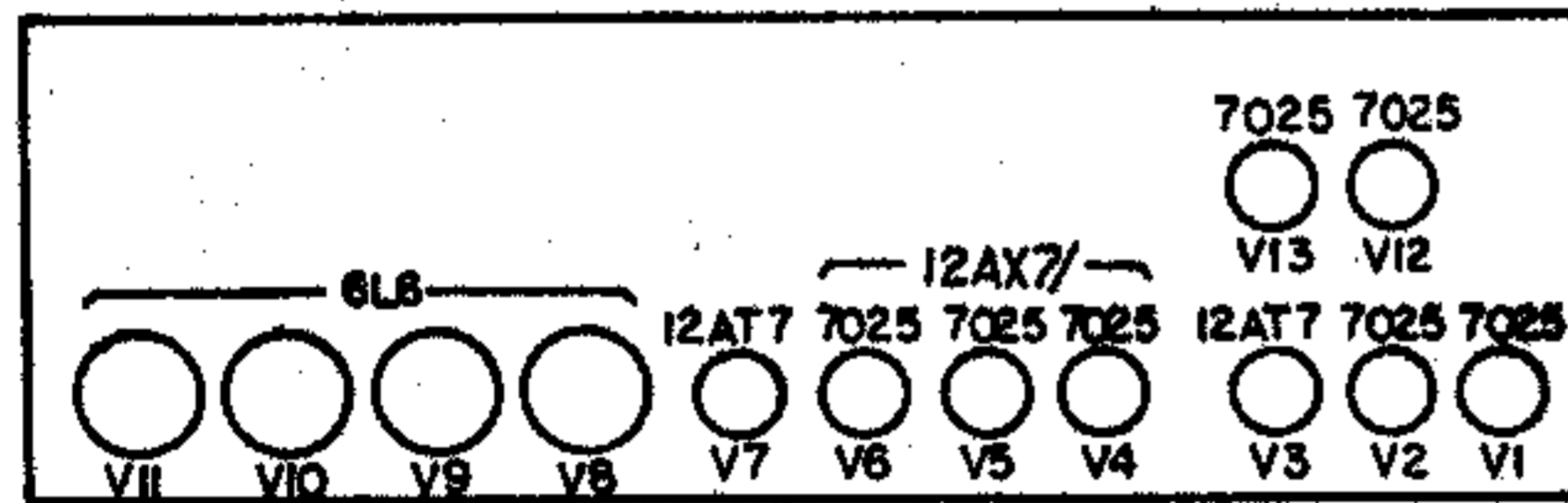


TUBE	1	2	3	4	5	6	7	8	9
V1	+210	0	+1.5	AC 5.2	AC 5.2	+211	0	+1.5	AC 5.2
V2	+221	0	+1.5	AC 5.2	AC 5.2	+220	0	+1.5	AC 5.2
V3	+445	0	+2.0	AC 5.2	AC 5.2	+446	0	+2.0	AC 5.2
V4	+247	0	+1.5	AC 5.2	AC 5.2	+250	0	+1.5	AC 5.2
V5	+245	0	+1.7	AC 5.2	AC 5.2	+242	0	+1.5	AC 5.2
V6	+512	+21	+25	AC 5.2	AC 5.2	0	0	0	AC 5.2
V7	+286	+69	+111	AC 5.2	AC 5.2	+846	+74	+111	AC 5.2
V8	-40	AC 5.2	+481	+480	-40	+483	AC 5.2	+119	
V9	-40	AC 5.2	+481	+480	-40	+483	AC 5.2	+119	
V10	-40	AC 5.2	+481	+480	-40	+483	AC 5.2	+119	
V11	-40	AC 5.2	+481	+480	-40	+483	AC 5.2	+119	
V12	+481	0	+1.5	AC 5.2	AC 5.2	+207	0	+1.5	AC 5.2
V13	+817	0	+1.5	AC 5.2	AC 5.2	+211	0	+1.5	AC 5.2

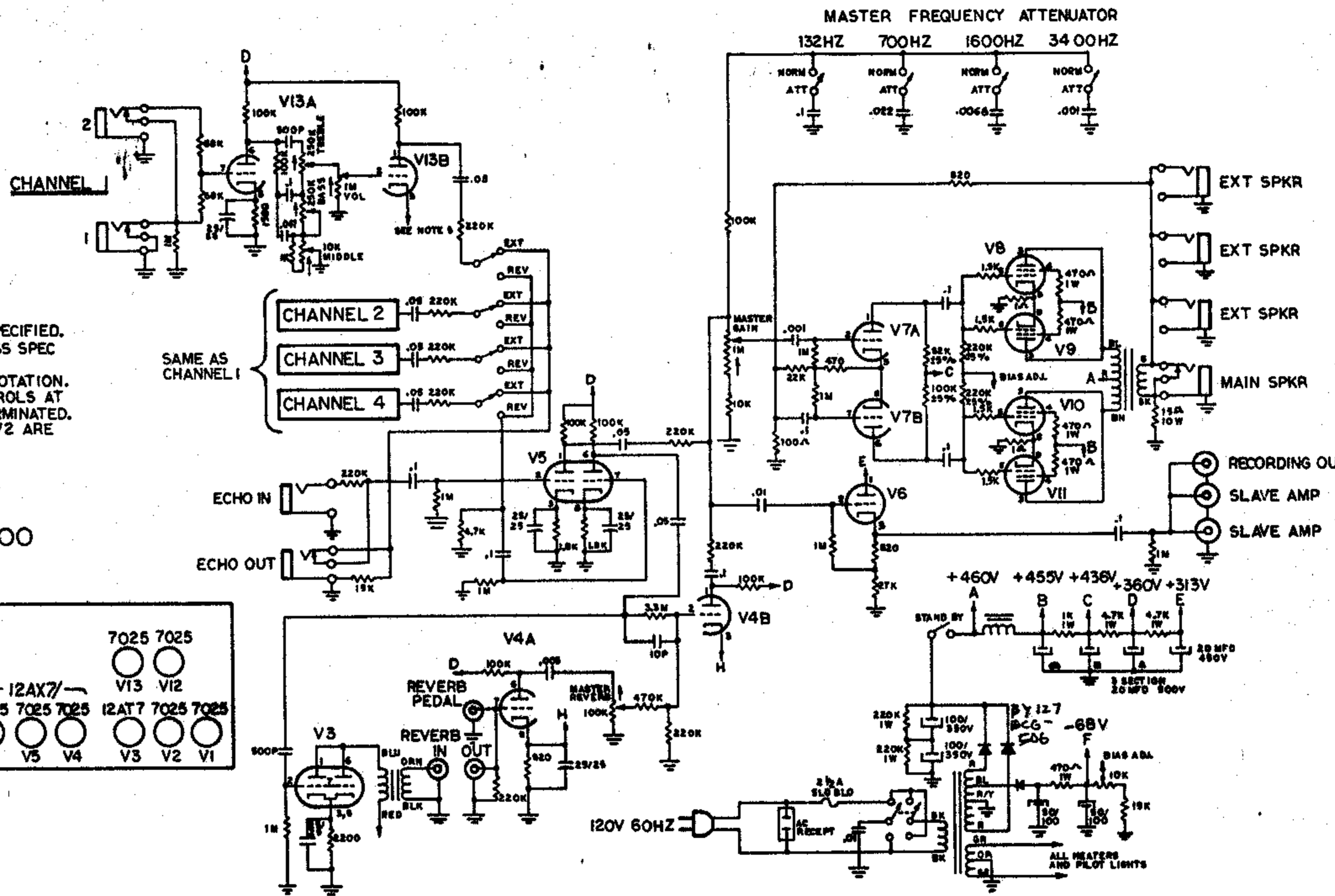
NOTES:

1. ALL RESISTORS 1/2W 10% UNLESS SPECIFIED.
2. ALL CAPS 600V MIN. IN MFQ'S UNLESS SPEC
3. ARROW AT CONTROLS DENOTES CW ROTATION.
4. ALL MEASUREMENTS TAKEN W/ CONTROLS AT MIN, AND ALL CONNECTORS UNTERMINATED.
5. PINS 3 OF V13 AND V12; V1 AND V2 ARE TIED TOGETHER.

STAGE MASTER PA2000



66-0025



PA 2000



isc audio
40 Smith Street • Farmingdale, N. Y. 11735