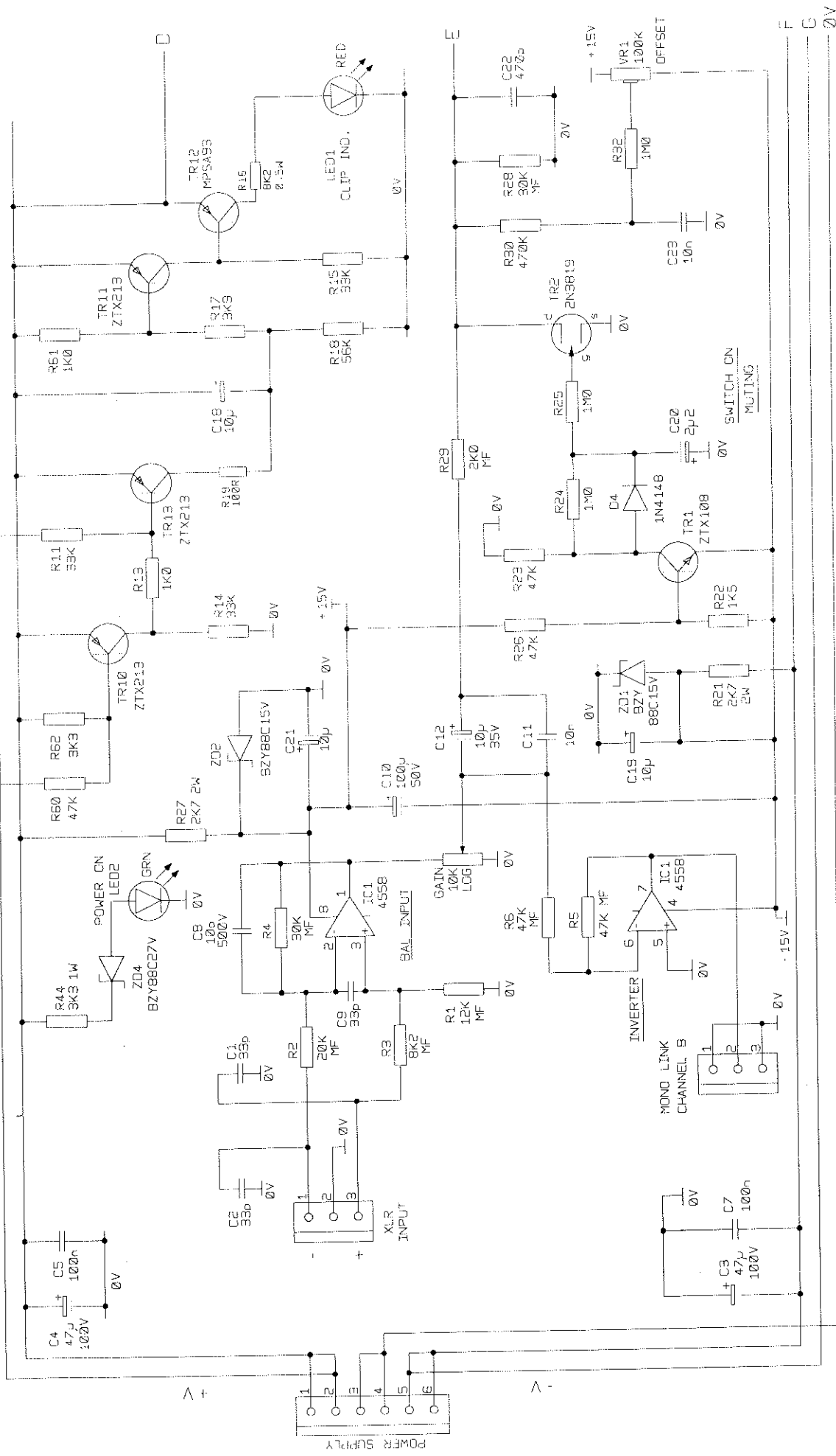
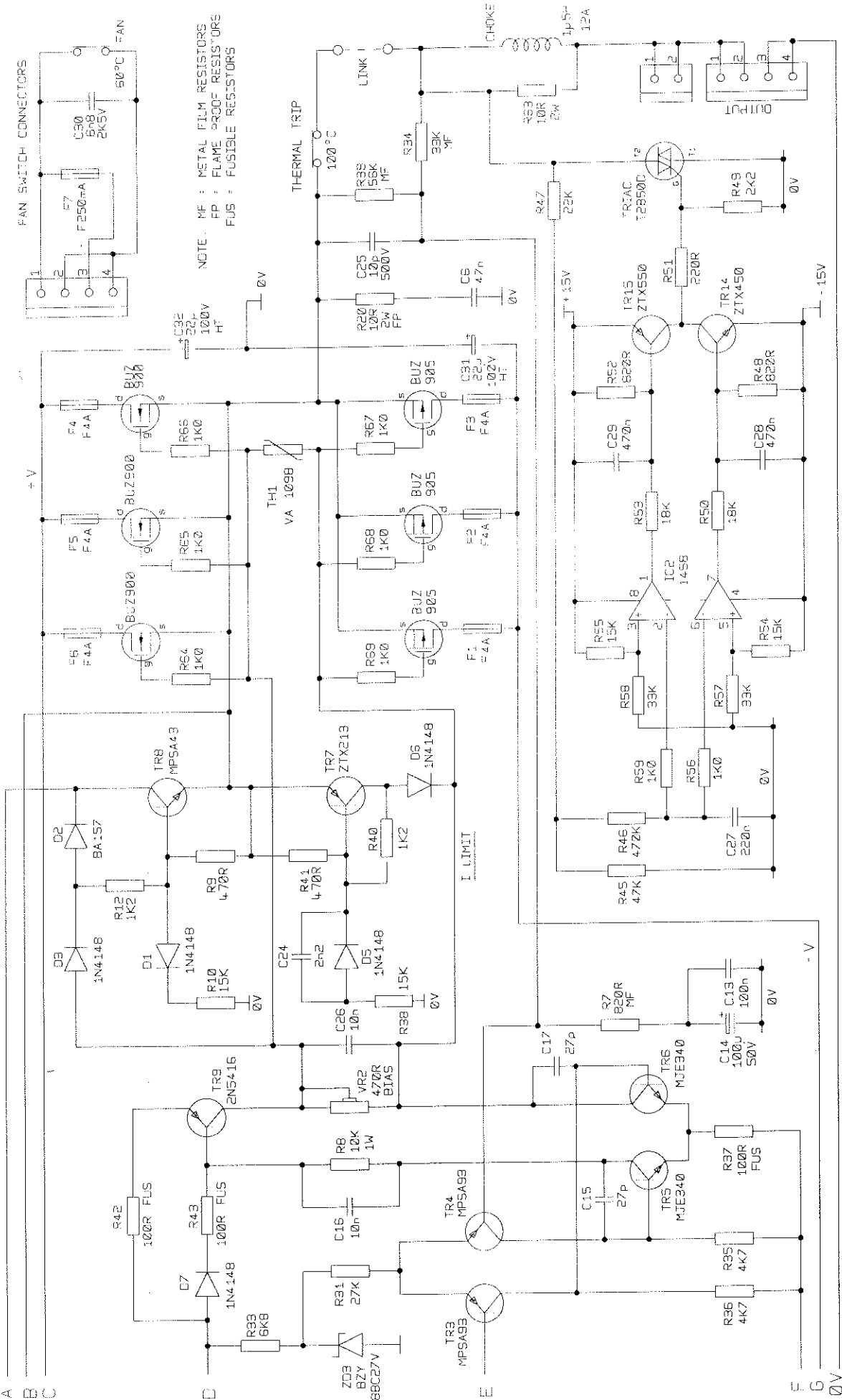


NOTE: MF : METAL FILM RESISTORS
 FP : FLAME PROOF RESISTORS
 FUS : FUSIBLE RESISTORS

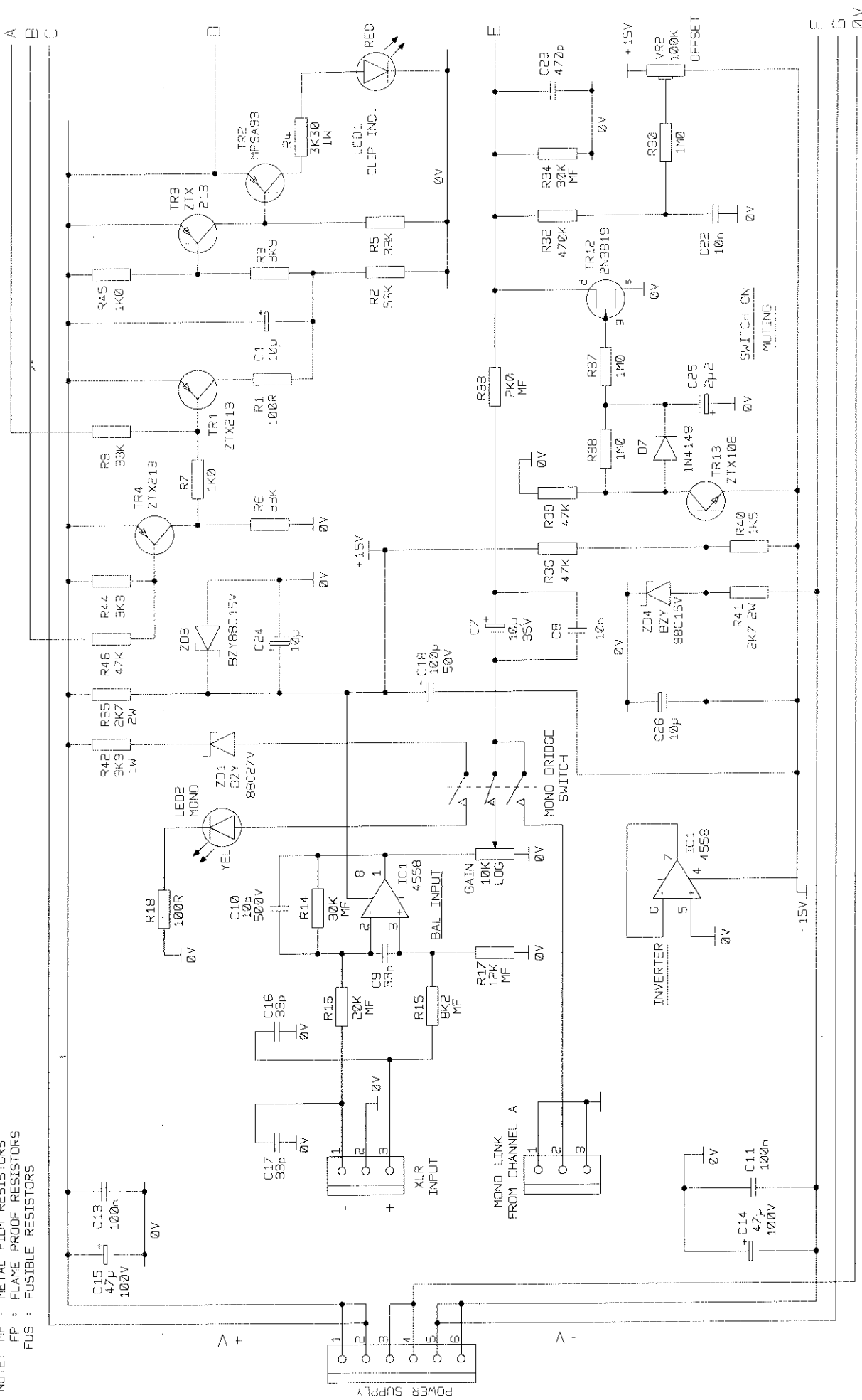


CITRONIC LTD. © -ALTFAX ROAD BOWENHILL WILTSHAM WILTSHIRE SN12 6UB		MODIFICATION DETAILS 9 M286 10 DC043 NEW MOSFET REPLACEMENTS 29/11/93 11 DC(138/157) SPEAKON & EMC MOD 01/04/96		DATE 01/04/96	SHEET 1 OF 2
		TITLE PPX 450 AMPLIFIER CHANNEL A CIRCUIT DIAGRAM	DRAWN APPD.	DATE 01/04/96	SHEET 1 OF 2
				BRG No PC10614-	ISSUE 11



CITRONIC LTD. © HALIFAX ROAD BOWERSHILL MELKSHAM WILTSHIRE SN12 6J9		MODIFICATION DETAILS M286 DC043 NEW MOSFET REPLACEMENT DC(138/157) SPEAKER & EMC MOD	DATE 15/01/87 29/11/93 01/04/96	DRAWN APPD.	TITLE PPX 450 AMPLIFIER CHANNEL A CIRCUIT DIAGRAM	DATE 01/04/96	SHEET OF 2
ISSUE	9						
	10						
	11						
DRG NO FC106148						DRG NO FC106144	ISSUE 11

NOTE: MF : METAL FILM RESISTORS
 FP : FLAME PROOF RESISTORS
 FUS : FUSIBLE RESISTORS



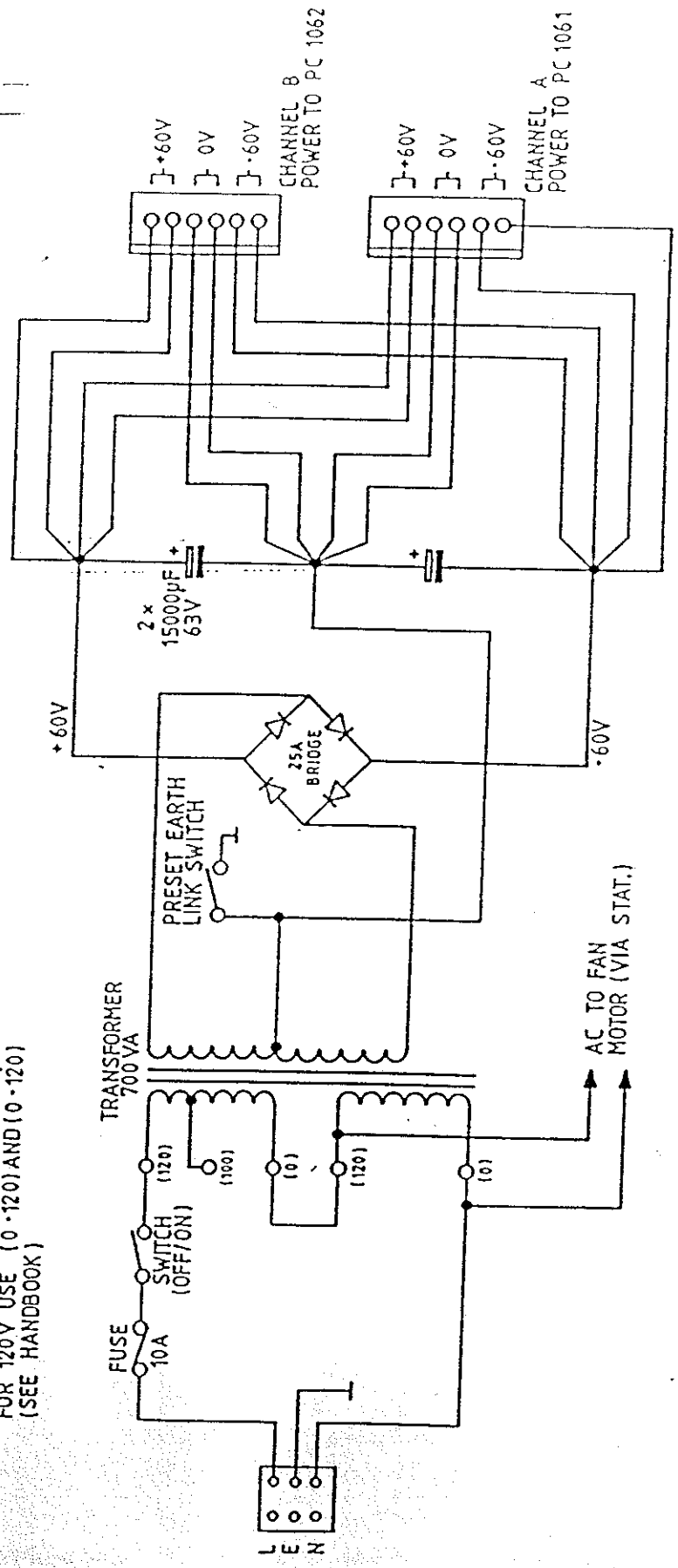
ISSUE	6	MS11	DATE	26/08/89	DRAWN	TITLE	PPXL50 AMPLIFIER	DATE	01/04/96	SHEET	1
	9	DC043 NEW MOSFET REPLACEMENT		29/11/93		CHANNEL B				OF	2
	10	DC043B/157) SPEAKER & EMC MOD		01/04/96	APPD.	CIRCUIT DIAGRAM		ORG No		ISSUE	
								PC10624A.DGM	PC1062/+		10

CITRONIC LTD. ©
 HALIFAX ROAD
 BOWENHILL
 MELKSHAM
 WILTSHIRE SN12 6UB

ISS	REFERENCE
1	PROD. ISSUE

DO NOT SCALE

TX PRIMARIES
 FOR 240V USE (0.120) + (0.120)
 FOR 220V USE (0.100) + (0.120)
 FOR 120V USE (0.120) AND (0.120)
 (SEE HANDBOOK)



CITRONIC ©
 HALIFAX ROAD,
 BOWENHILL, MELBESHAM
 WILTSHIRE
 Telephone (01231) 705800

TOLEANCES
 UNLESS OTHERWISE STATED
 DIMENSIONAL 1
 ANGULAR 1
 WORK TO BS 208

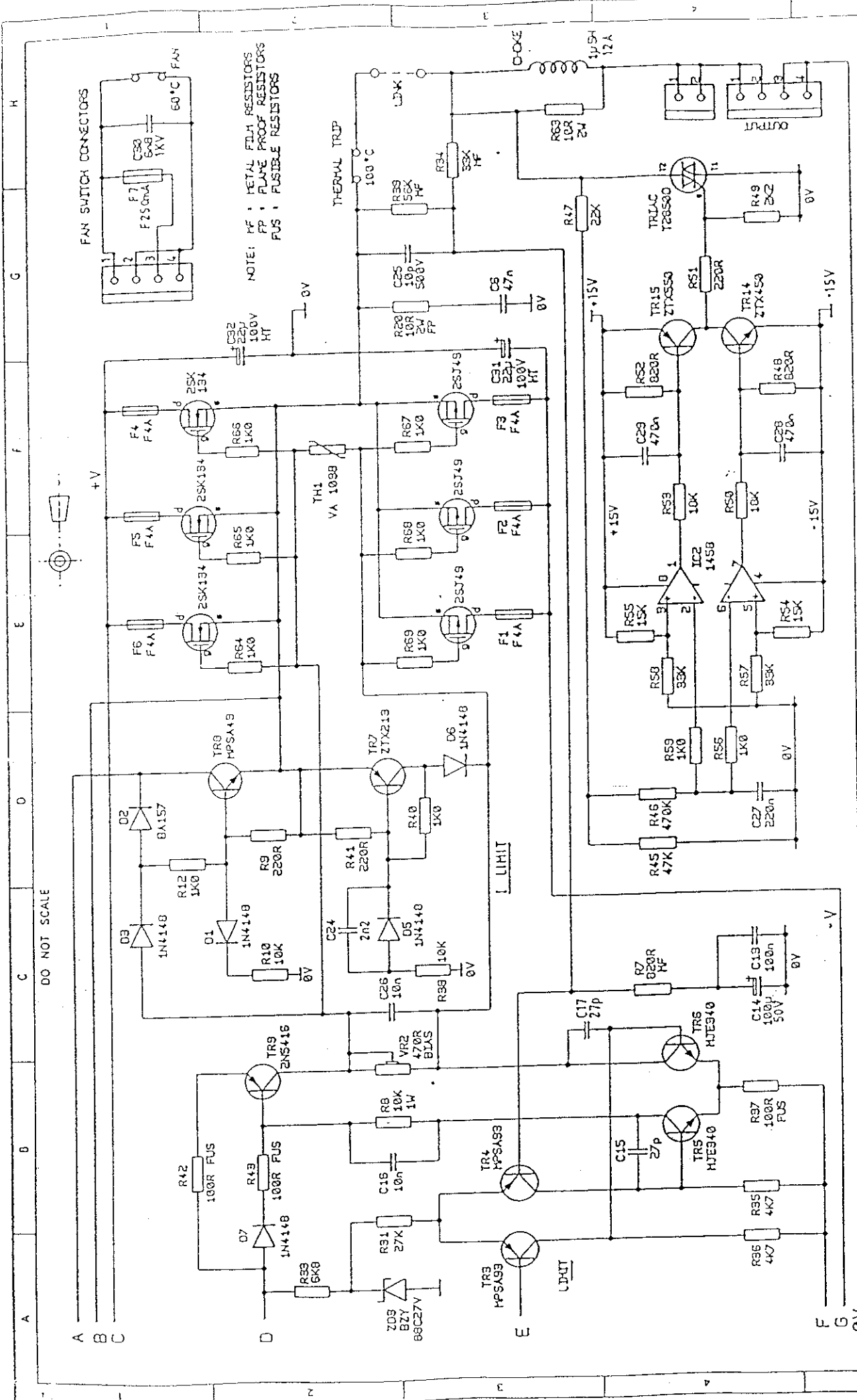
MATERIAL:
 TREATMENT:
 FINISH
 SCALE

DRAWN
 W.A.V.
 CHECKED
 APPROVED

PPX 450
 PSU ASSY CIRCUIT DIAGRAM

USED ON:
 PPX 450

SHEET
 1 of 1
 ISSUE
 1



CITRONIC HALFAX ROAD, BOWERHILL, MELKSHAM, WILTSHIRE. Telephone: (0225) 705600		TOLERANCES UNLESS OTHERWISE STATED DIMENSIONAL ± ANGULAR ± WORK TO BS 308.		MATERIAL: TREATMENT: FINISH: SCALE:		DRAWN ORIGIN/RT TITLE CHECKED APPROVED		PPX 450 AMPLIFIER CHANNEL A CIRCUIT DIAGRAM C/PC106148.0000		ISSUE 5 - 31.10.86 (H742,236,218) ISSUE 6 - 13.11.86 (H766,1) ISSUE 7 - 01.08.86 (H783) ISSUE 8 - 15.11.86 (H886)		DRG. No. PC 1061/4		SAT. 2 OF 2 ISSUE 8	
---	--	--	--	--	--	--	--	--	--	--	--	------------------------------	--	-------------------------------------	--

FOR PDX900 OR PDX450 AMP (EARLY TYPE)

PC1061/2 ISSUES UP TO F (OLD TYPE) CONVERSION TO
MJE340 & 2N5416 DRIVERS.

① Change TR3 & TR4 FROM MPSW43 TO MJE340'S.

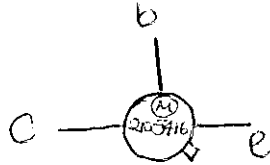


MPSW CONFIGURATION.
(PINOUT TOP VIEW)



② Change TR5 FROM MPSW43 TO 2N5416 Metal Can Type.

2N5416 CONFIGURATION.
(TOP VIEW).



MPSW CONFIGURATION
AS ABOVE.

(NOTE :- CONNECTOR JOINED TO CAN.) (ALSO FITTED MICA SPACER & HEATSINK TO 2N5416)

③ Change D5, D7, D2 (1N4004) to BA157 Diodes.

④ Tag 2nd cap (0.0022 μ F) Evox Box Across D7.

⑤ Change D6 (1N4004) to 1N4148 Diode.

Test, Check DC offset & Bias.