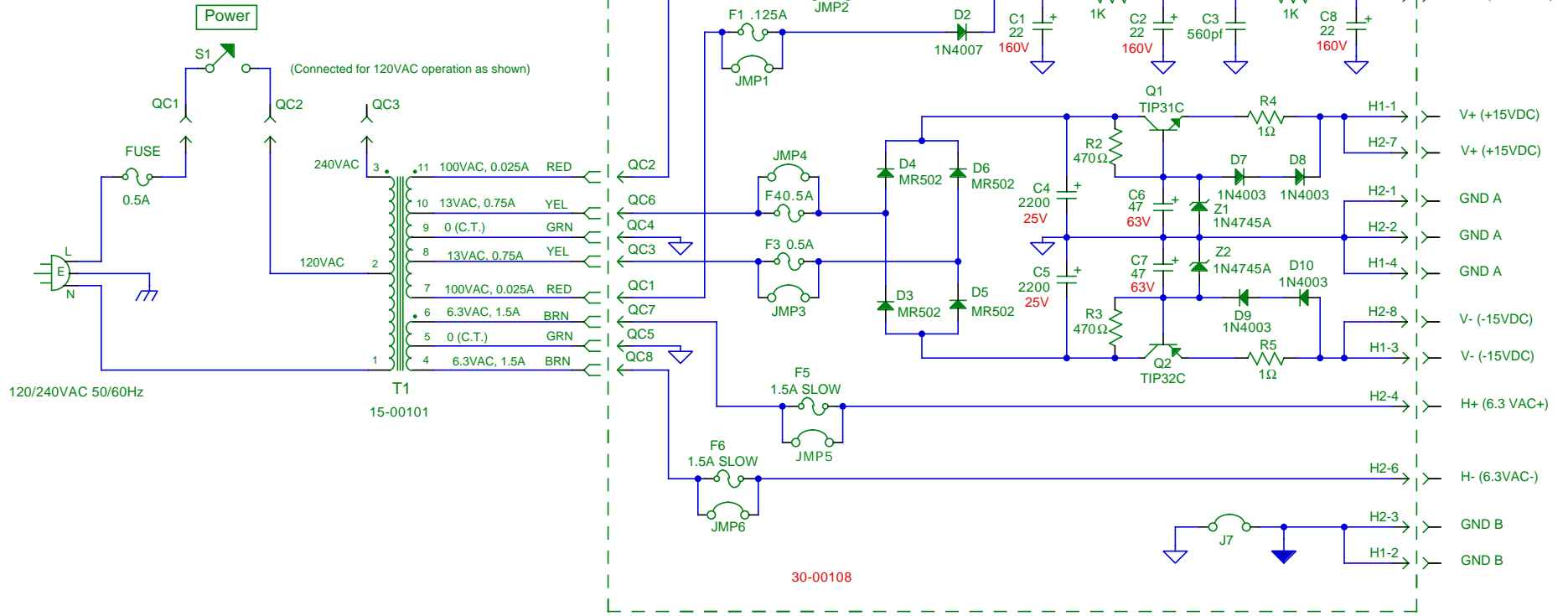


FOR 120VAC, CONNECT S1 TO QC2
FOR 240VAC, CONNECT S1 TO QC3



30-00108

CARVIN 1155 INDUSTRIAL AVE.
ESCONDIDO, CA 92029
(619) 747-1710
FAX 747-9065

Quad X-Amp

Schematic: 84-00108 Rack Power Supply

DRAWN BY: John L. Murphy DATE: 14AUG91

APPROVED: DATE:

PCB NO: 30-00108 REV: C

ASSY NO: 80-00108 REV: E

REVISED BY: John Kennedy DATE: 21JUL92

LAST USED LIST

SYM.			
C	8		
D	10		
F	6		
H	2		
JMP	7		
Q	2		
QC	8		
R	6		
Z	2		

- 3. GND B (DESIGNATED BY THE CLOSED SYMBOL) IS THE HIGH NOISE UTILITY GROUND.
 - 2. GND A (DESIGNATED BY THE OPEN SYMBOL) IS THE LOW NOISE AUDIO GROUND.
 - 1. ALL CAPACITORS ARE IN MICROFARADS, EXCEPT AS NOTED.
- NOTES: UNLESS OTHERWISE SPECIFIED.