

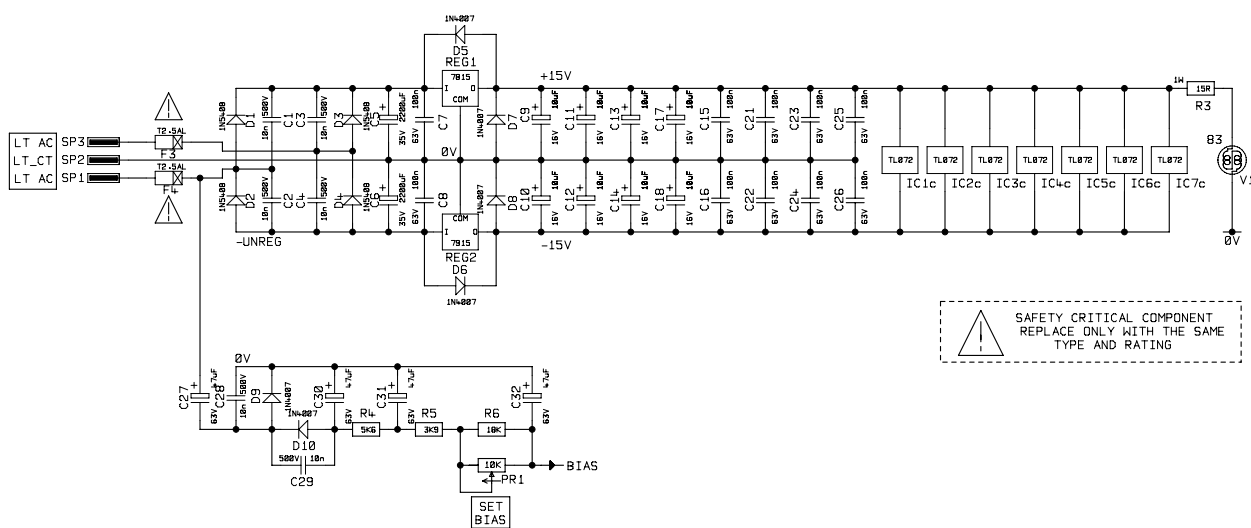
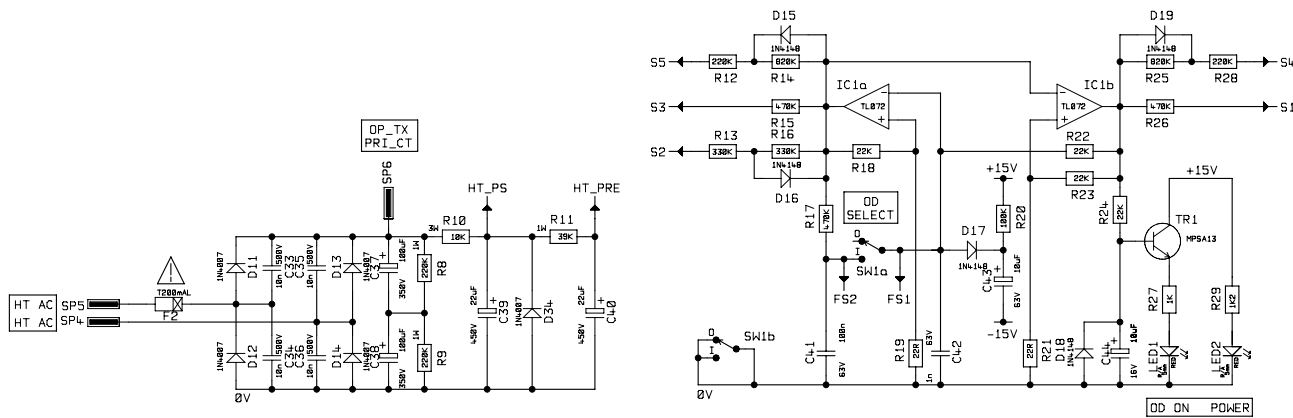
OPEN/CLOSED
EMULATION

ISS	ECO NUMBER	DATE
3	R93 CHANGE TO 2K2	10.12.08
2	R69 CHANGE TO 47K	22.10.08
155	ECO NUMBER	DATE

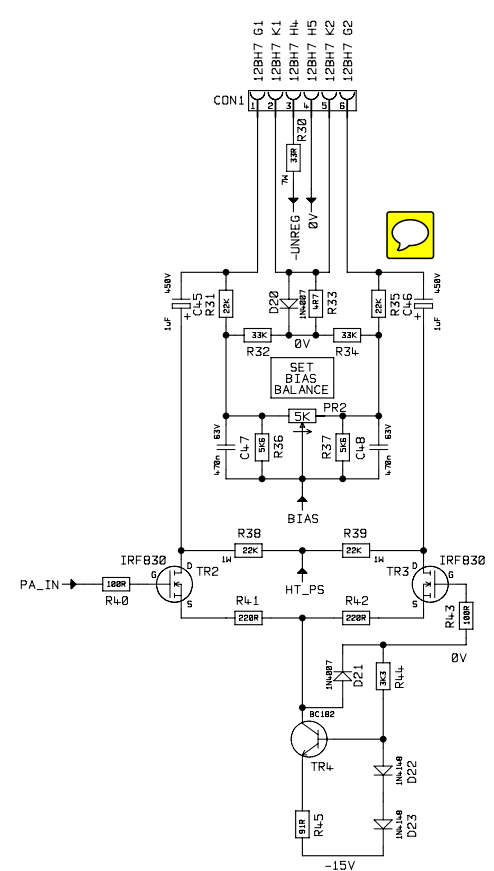
FBM PRODUCTS
 COPYRIGHT EXISTS ON THIS DOCUMENT.
 IT MUST NOT BE USED FOR ANY PURPOSE
 OTHER THAN THAT FOR WHICH IS HAS SUPPLIED
 AND MUST NOT BE COPIED OR DISCLOSED
 IN WHOLE OR IN PART WITHOUT
 THE WRITTEN PERMISSION OF FBM PRODUCTS.

DWG No:	HT-5_ELEC_SCHE_00.DWG
DRAWN BY:	B. KEIR
CHECKED BY:	
APPROVED BY:	

ISS: 3	TITLE: HT-5 FRONT PCB.
DATE: 10.12.2008	MODEL:
DATE:	



SAFETY CRITICAL COMPONENT
 REPLACE ONLY WITH THE SAME
 TYPE AND RATING



ignorelayers 4

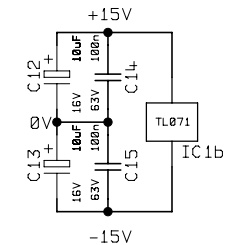
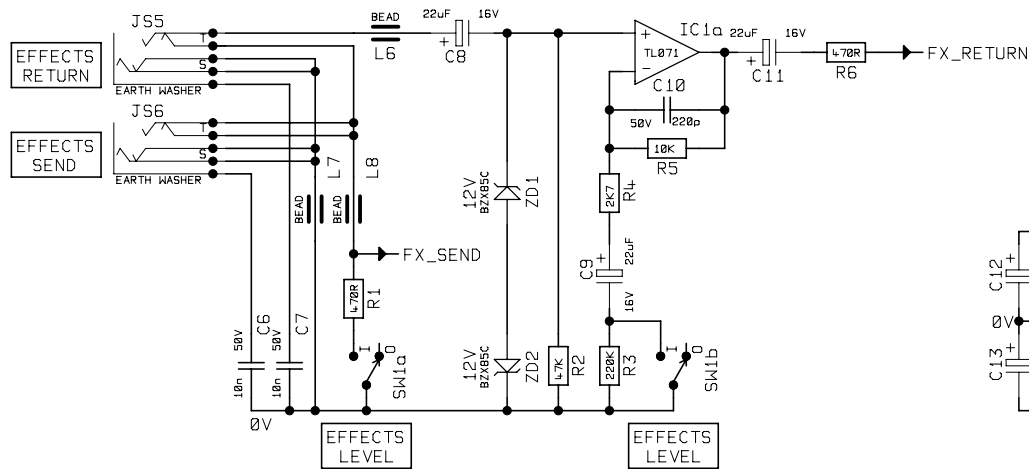
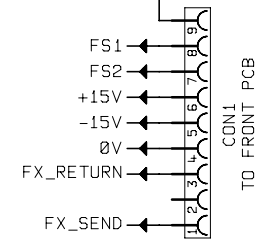
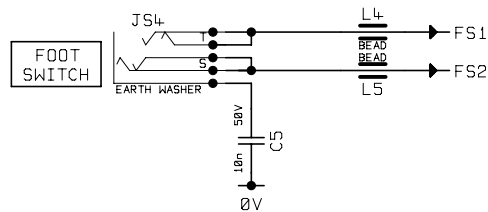
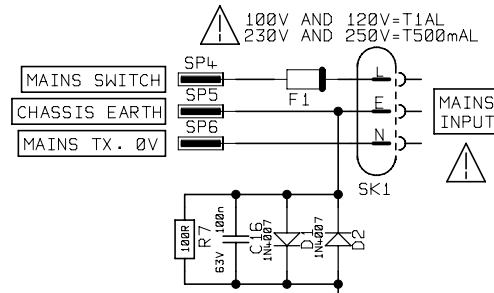
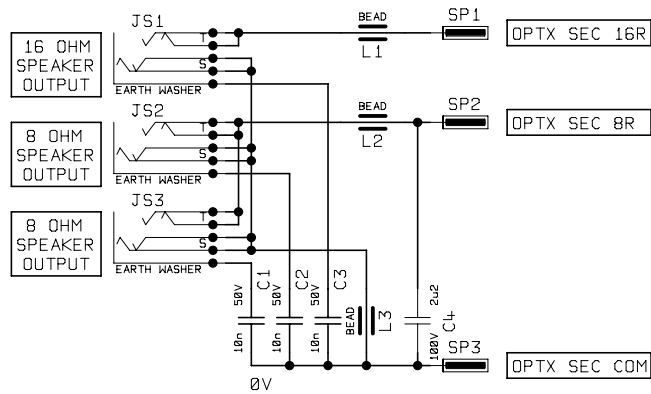
3	R93 CHANGE TO 2K2	10.12.08
2	R69 CHANGE TO 47K	22.10.08
ISS	ECO NUMBER	DATE

FBM PRODUCTS
 COPYRIGHT EXISTS ON THIS DOCUMENT.
 IT MUST NOT BE USED FOR ANY PURPOSE
 OTHER THAN THAT FOR WHICH IT WAS SUPPLIED
 AND MUST NOT BE COPIED OR DISCLOSED
 IN WHOLE OR IN PART WITHOUT
 THE WRITTEN PERMISSION OF FBM PRODUCTS.

DWG No: HT-5_ELEC_SCHE_00.DGM
 DRAWN BY: B. KEIR
 CHECKED BY:
 APPROVED BY:

ISS: 3
 DATE: 10.12.2008
 DATE:
 DATE:

TITLE:
HT-5 FRONT PCB.
 MODEL:



SAFETY CRITICAL COMPONENT
 REPLACE ONLY WITH THE SAME
 TYPE AND RATING

ISS	ECD NUMBER	DATE
-----	------------	------

FBM PRODUCTS

COPYRIGHT EXISTS ON THIS DOCUMENT
 IT MUST NOT BE USED FOR ANY PURPOSE
 OTHER THAN THAT FOR WHICH IS HAS SUPPLIED
 AND MUST NOT BE COPIED OR DISCLOSED
 IN WHOLE OR IN PART WITHOUT
 THE WRITTEN PERMISSION OF FBM PRODUCTS

DWG No:	HT-5_ELEC_SCHE_01.dgm
DRAWN BY:	B. KEIR
CHECKED BY:	
APPROVED BY:	

ISS: 1	TITLE:
DATE: 10.04.2008	HT-5 BACK PCB.
DATE:	MODEL:
DATE:	