

REVISIONS D (25/10/05)

DRAWN FB

CHECKED

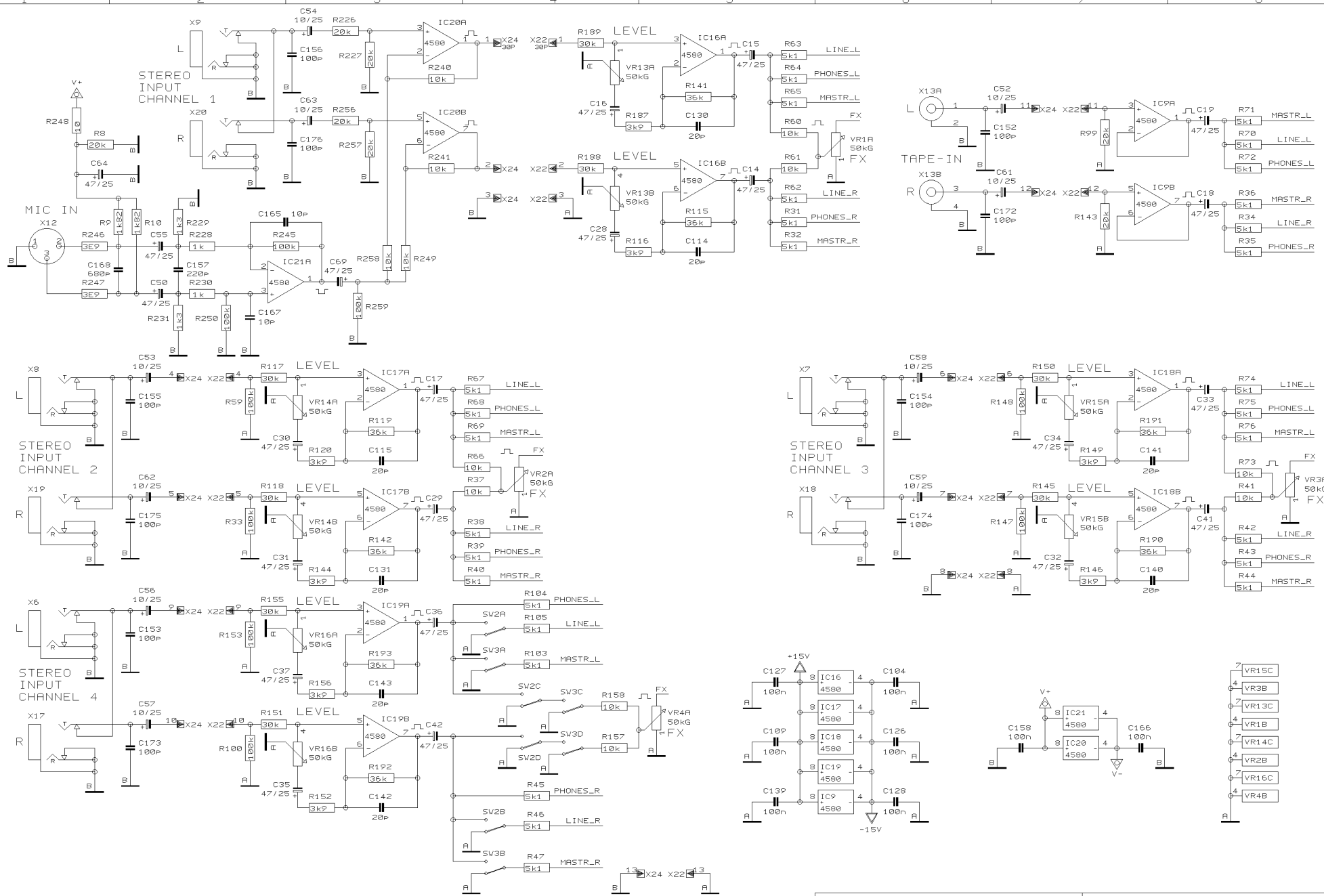
DATE 06.03. 6
12:20

BEHRINGER®

Specialized Studio Equipment

PROJECT K3000FX/K1800FX
ULTRATONE
FX PROCESSOR

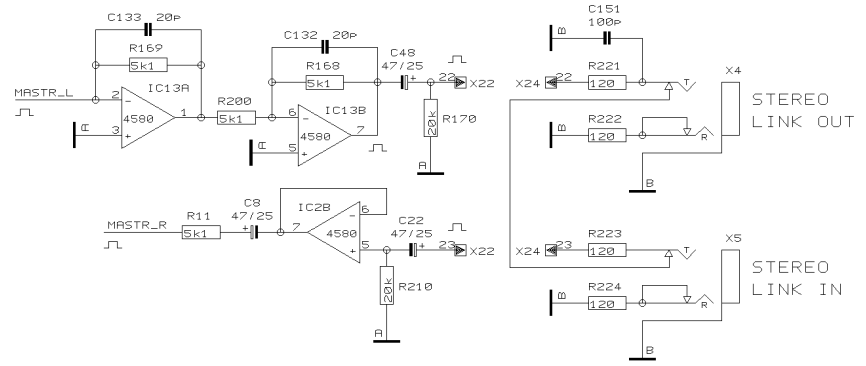
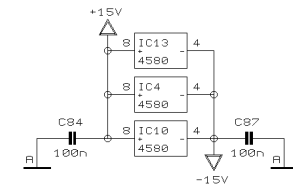
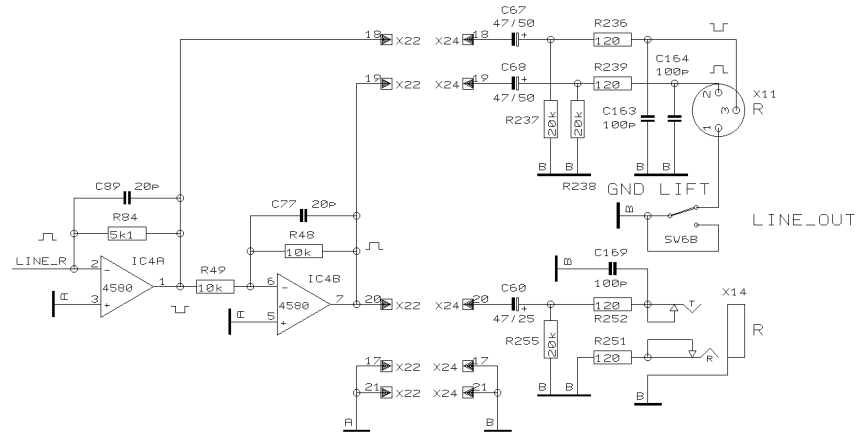
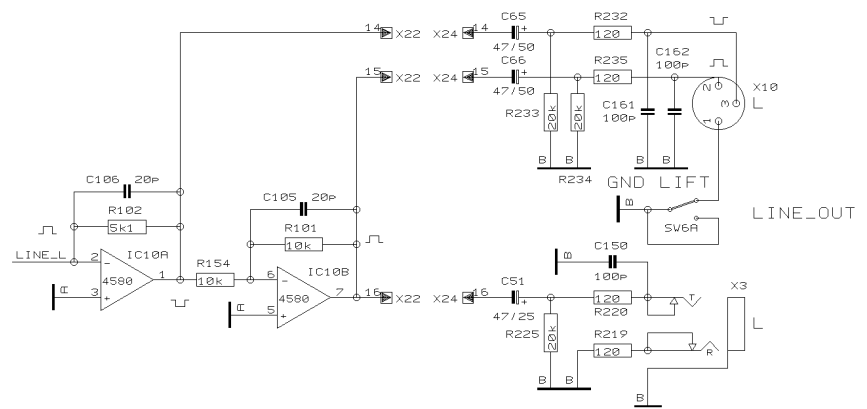
SHEET 1 OF 4 SHEETS TOTAL



REVISIONS		D	
DRAWN	FB	CHECKED	
DATE		06.03. 6 12:20	


 Specialized Studio Equipment

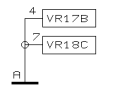
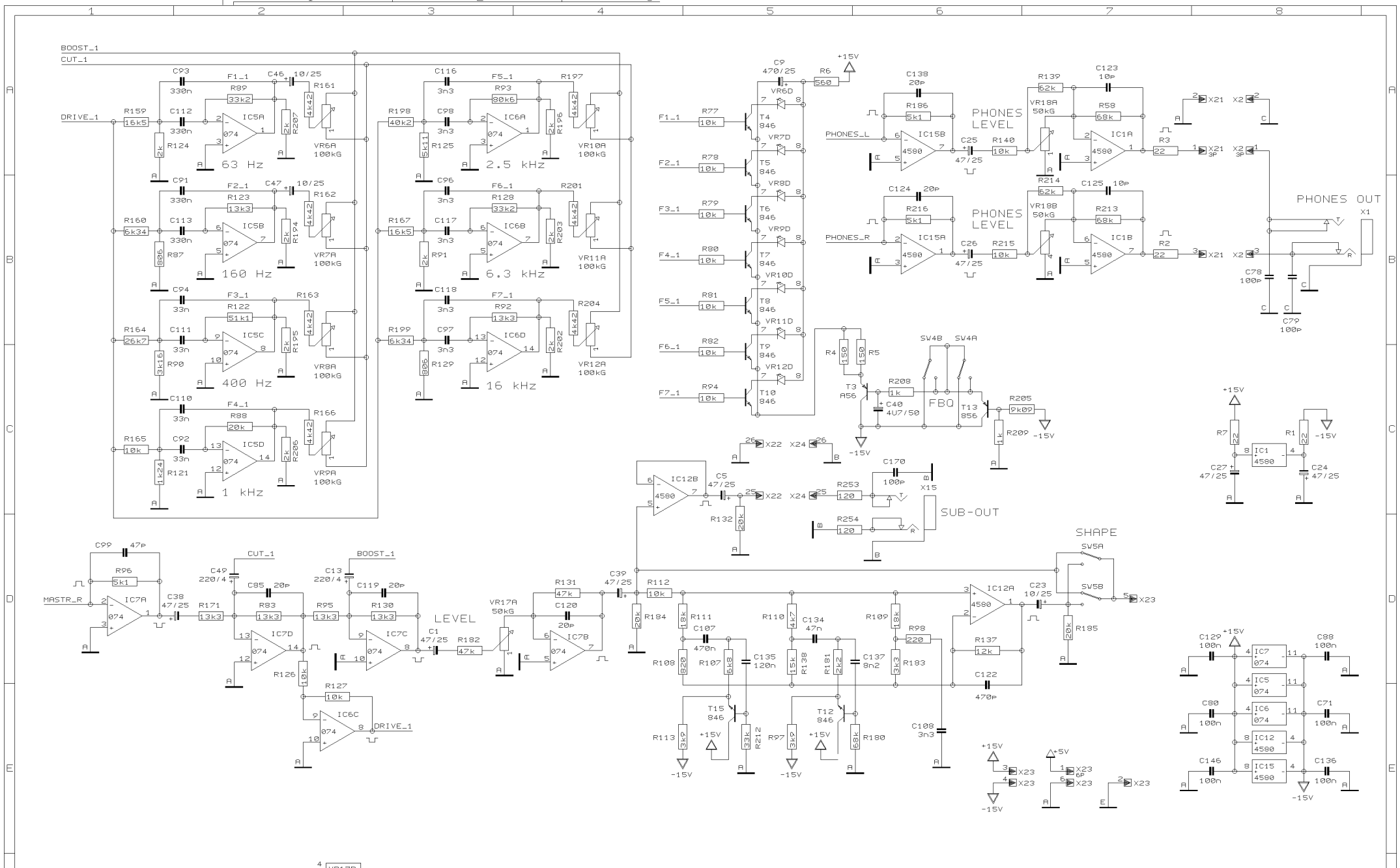
PROJECT
 K3000FX/K1800FX
 ULTRATONE
 INPUTS
 SHEET 2 OF 4 SHEETS TOTAL



REVISIONS	D		
DRAWN	FB	CHECKED	DATE 06.03. 6 12:20



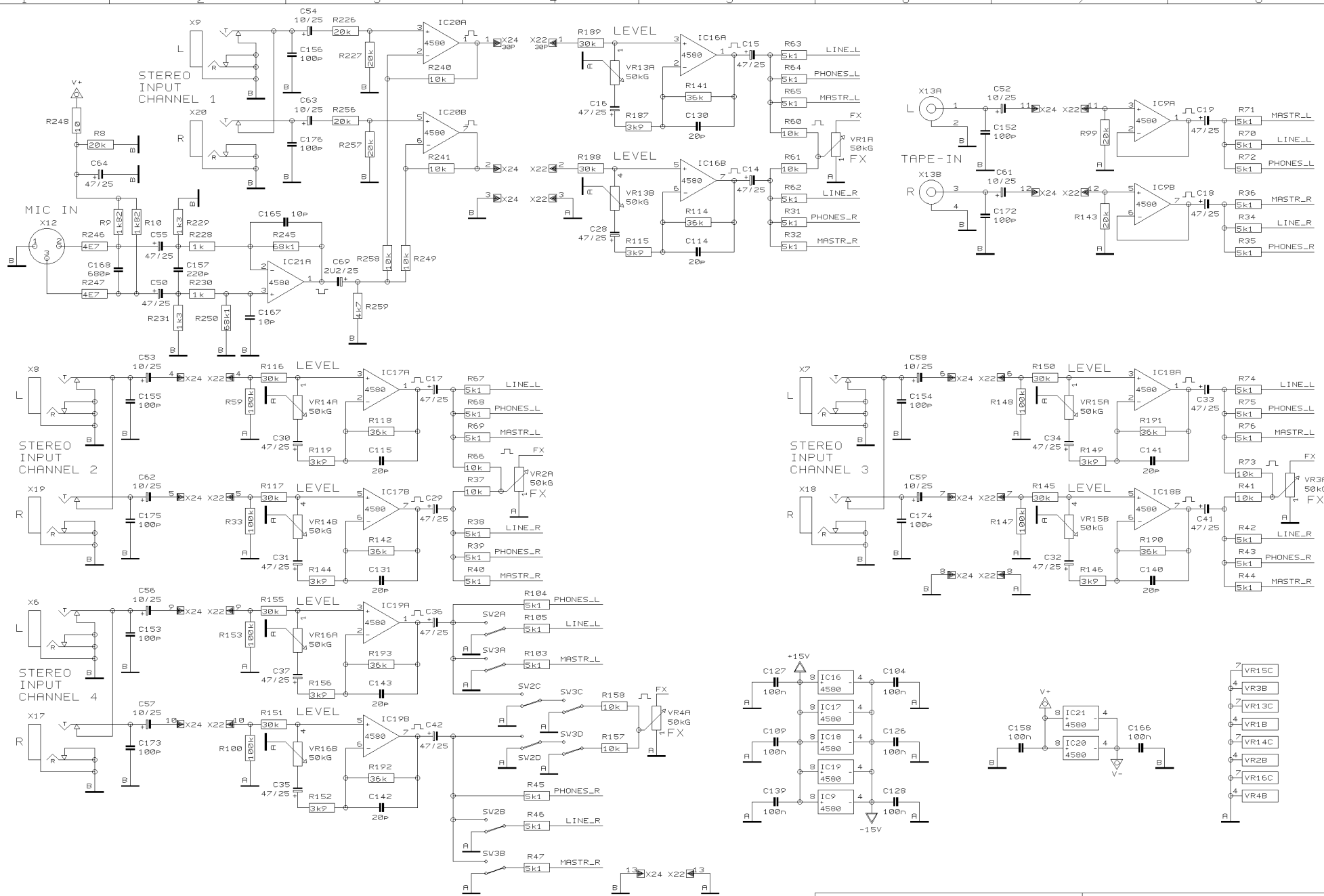
PROJECT
K3000FX/K1800FX
ULTRATONE
OUTPUTS
SHEET 3 OF 4 SHEETS TOTAL



REVISIONS		D
DRAWN	FB	CHECKED
DATE		06.03. 6
		12:20



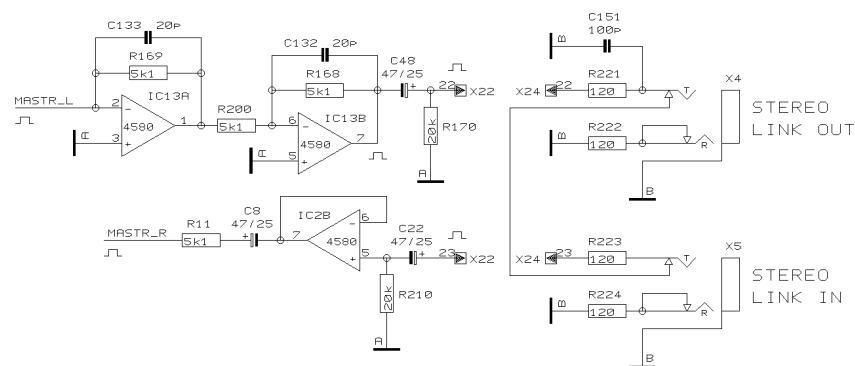
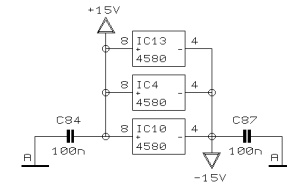
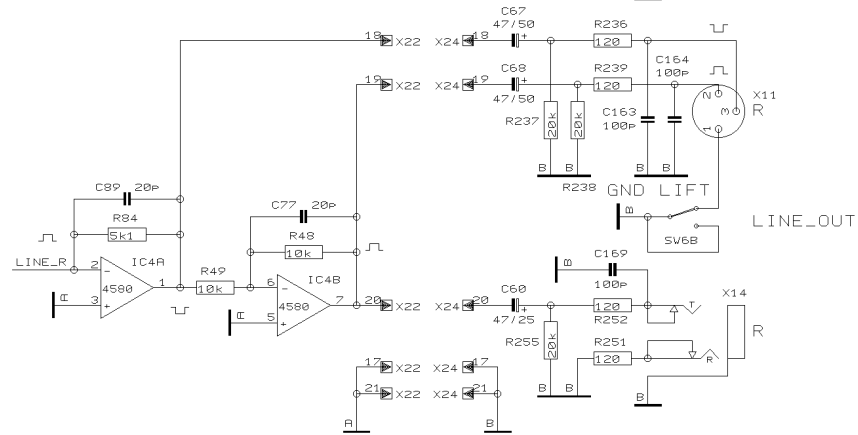
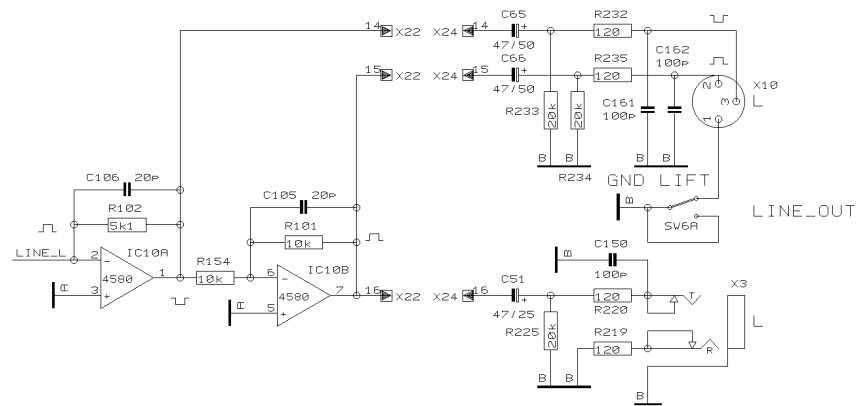
PROJECT
K3000FX/K1800FX
ULTRATONE
GRAPHIC EQ / FBO
SHEET 4 OF 4 SHEETS TOTAL




REVISIONS		E	
DRAWN	FB	CHECKED	
DATE		21.01. 8	
		11:34	


 Specialized Studio Equipment

PROJECT
 K3000FX/K1800FX
 ULTRATONE
 INPUTS
 SHEET 2 OF 4 SHEETS TOTAL



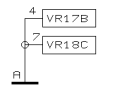
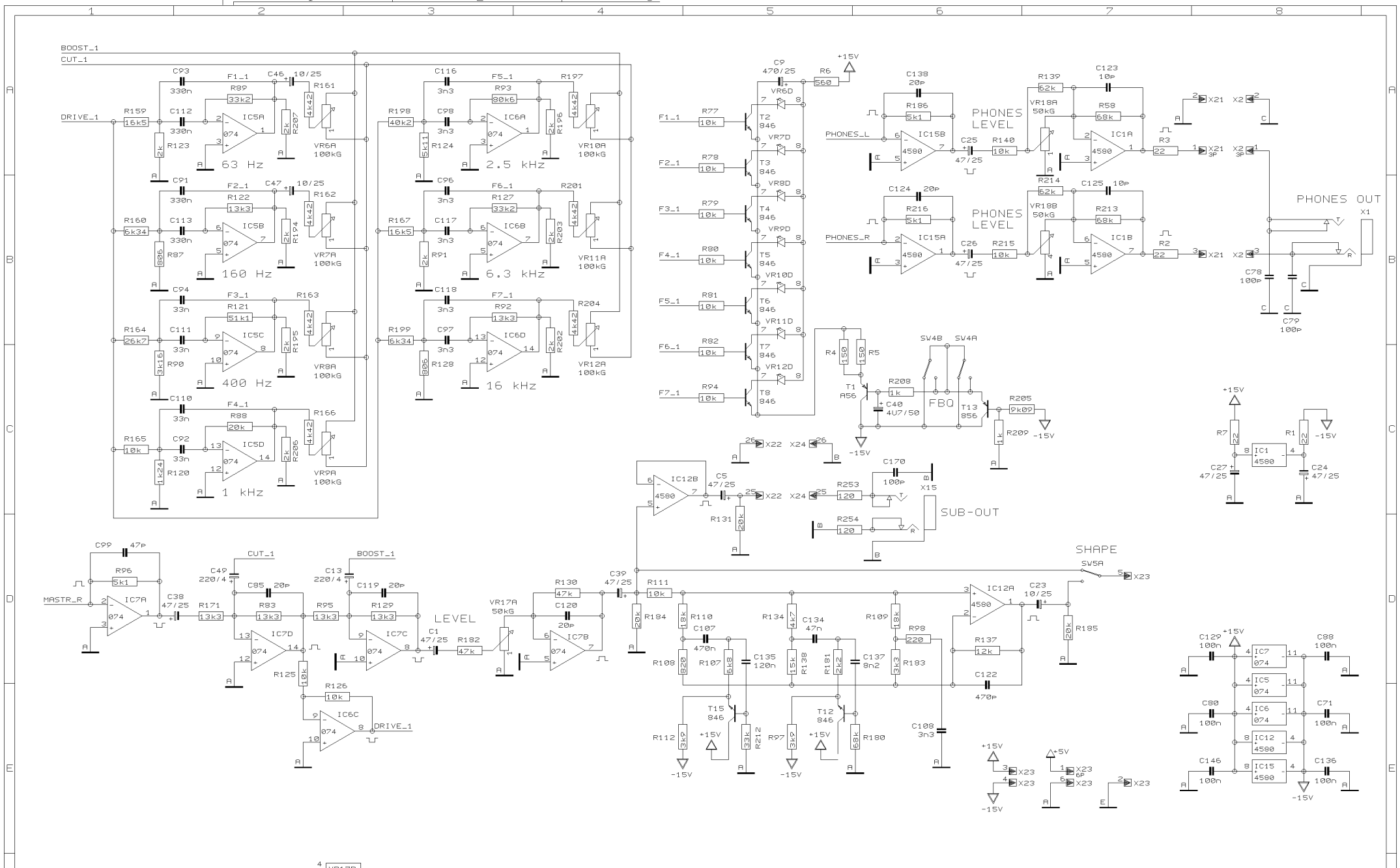
REVISIONS		E	
DRAWN	FB	CHECKED	DATE 21.01. 8 11:34



Specialized Studio Equipment

PROJECT
K3000FX/K1800FX
ULTRATONE
OUTPUTS

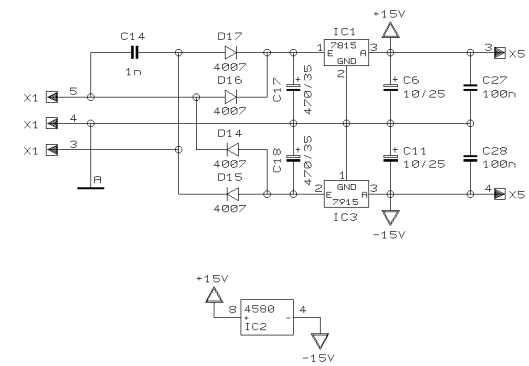
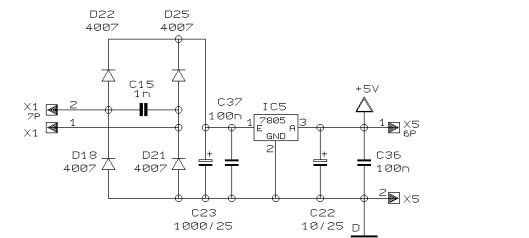
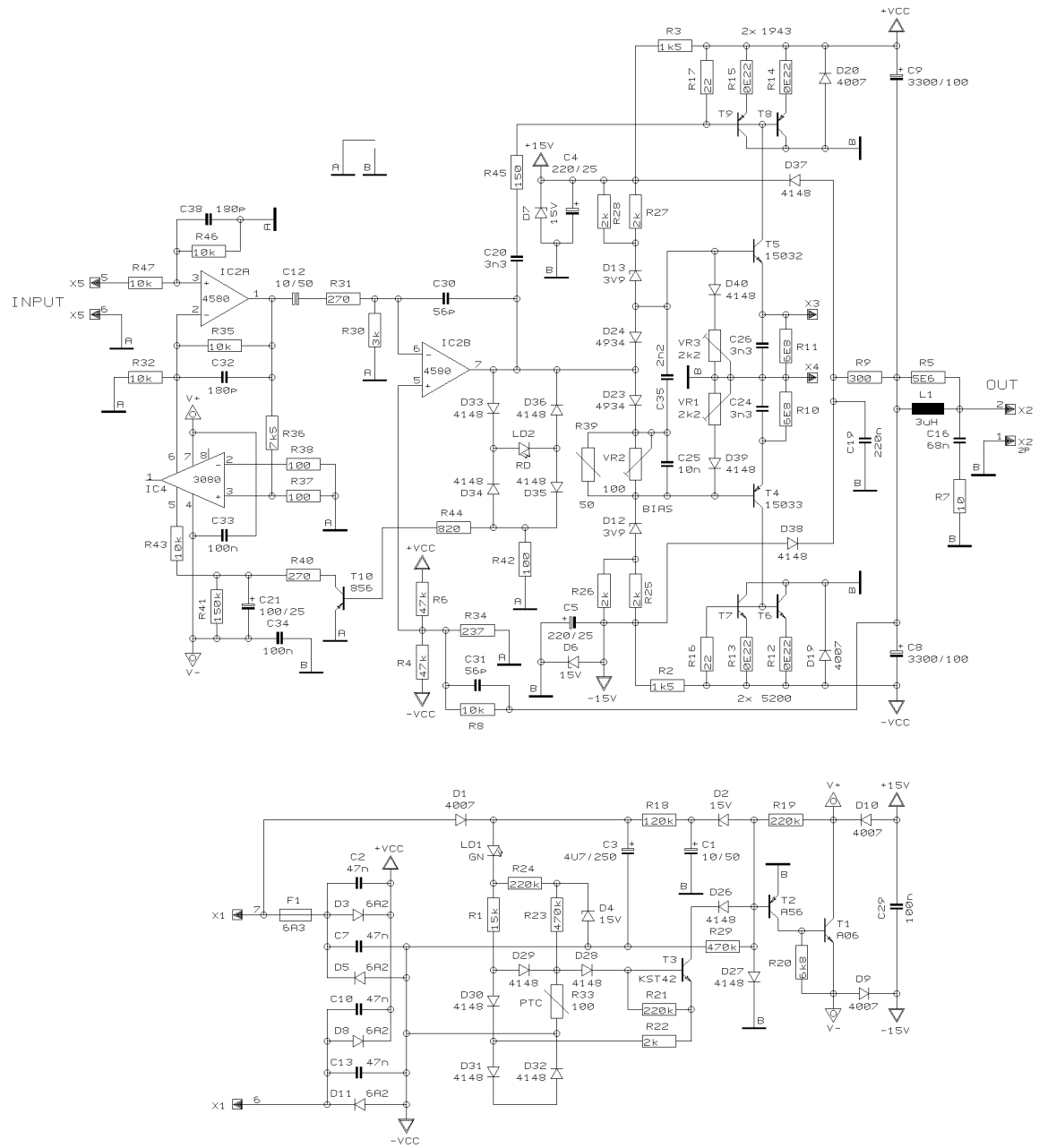
SHEET 3 OF 4 SHEETS TOTAL



REVISIONS		E	
DRAWN	FB	CHECKED	
DATE		21.01. 8	
		11:34	



PROJECT
K3000FX/K1800FX
ULTRATONE
GRAPHIC EQ / FBO
SHEET 4 OF 4 SHEETS TOTAL



REVISIONS D (22/08/05)

DRAWN SA

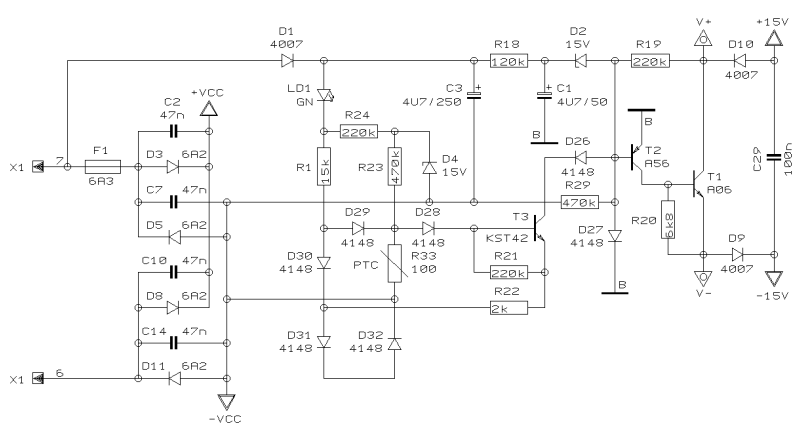
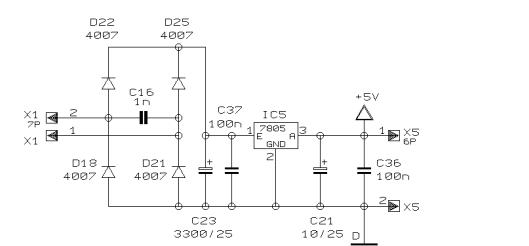
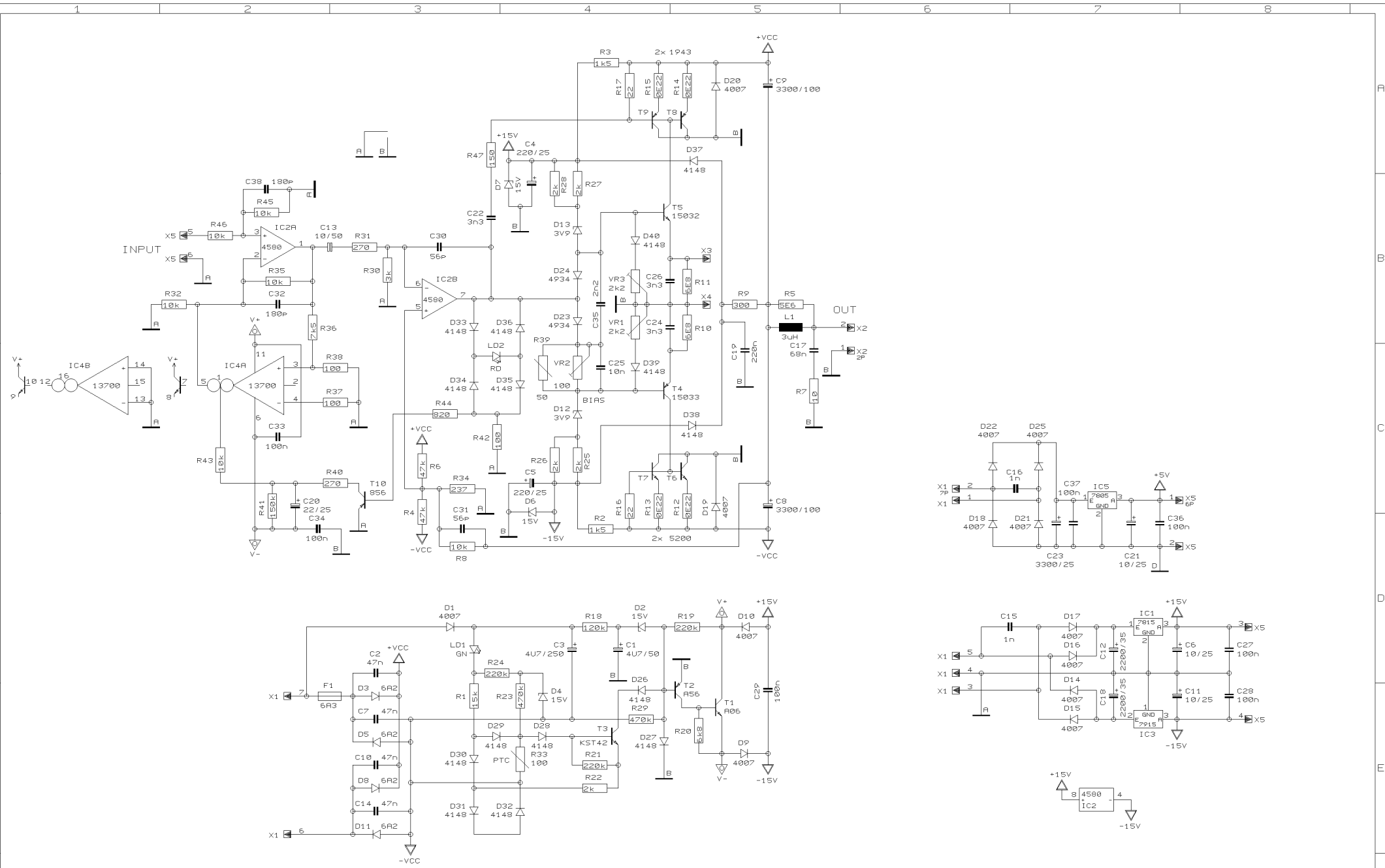
CHECKED

DATE 08.03. 6
17:01



PROJECT
LPA1300
300W POWER AMP
SCHEMATICS

SHEET 1 OF 1 SHEETS TOTAL

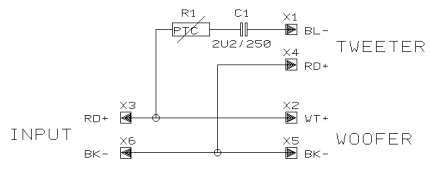


REVISIONS F (11/01/06)

DRAWN SA CHECKED DATE 08.03. 6 17:02



PROJECT LPA1300 300W POWER AMP SCHEMATICS SHEET 1 OF 1 SHEETS TOTAL



REVISIONS A (08/08/05)

DRAWN RI

CHECKED

DATE 06.03. 6
12:23

BEHRINGER®

Specialized Studio Equipment

PROJECT
K3000XOV
CROSSOVER
SCHEMATICS

SHEET 1 OF 1 SHEETS TOTAL