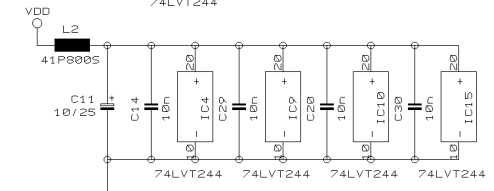
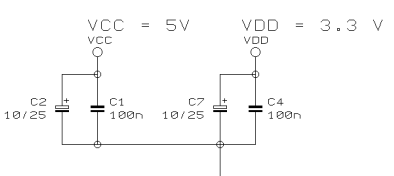
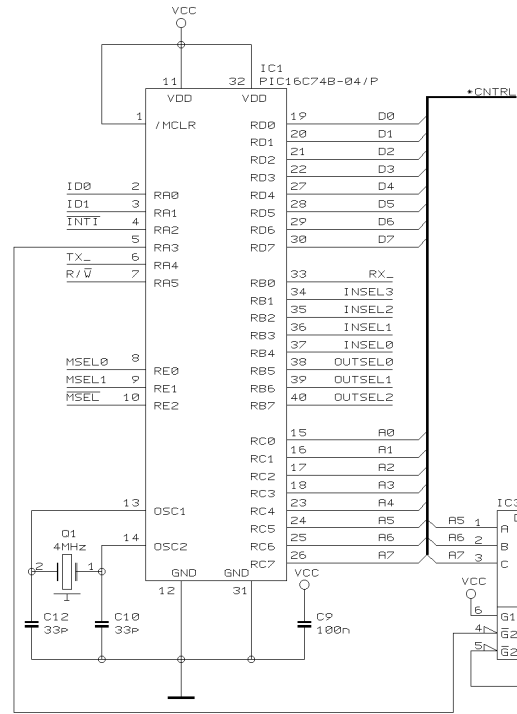
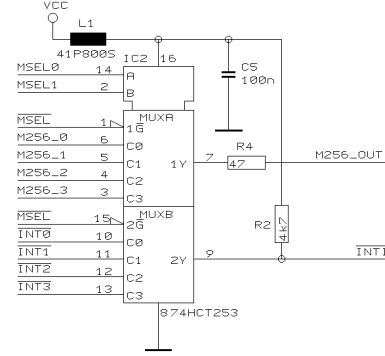
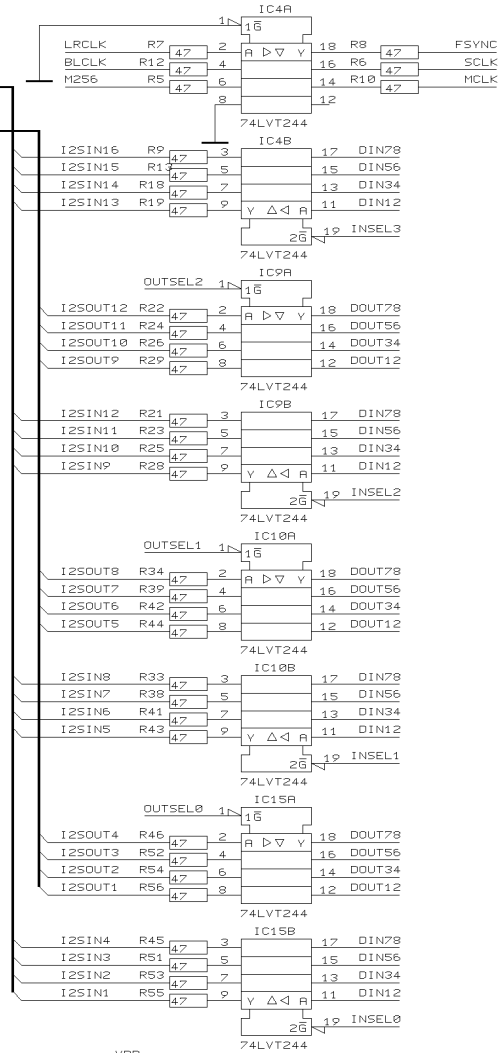
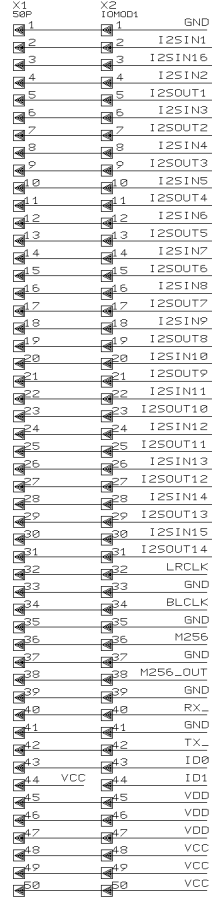


I2S I/O SELECTORS
PER 8 CHANNEL

SELECT INPUT SYNC MASTER CLK

PIGGYBACK



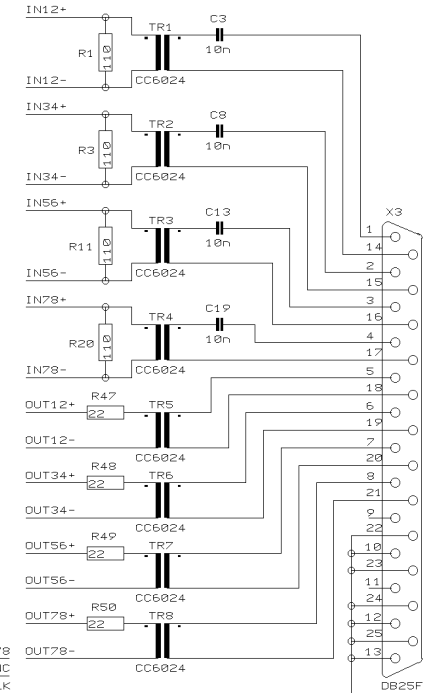
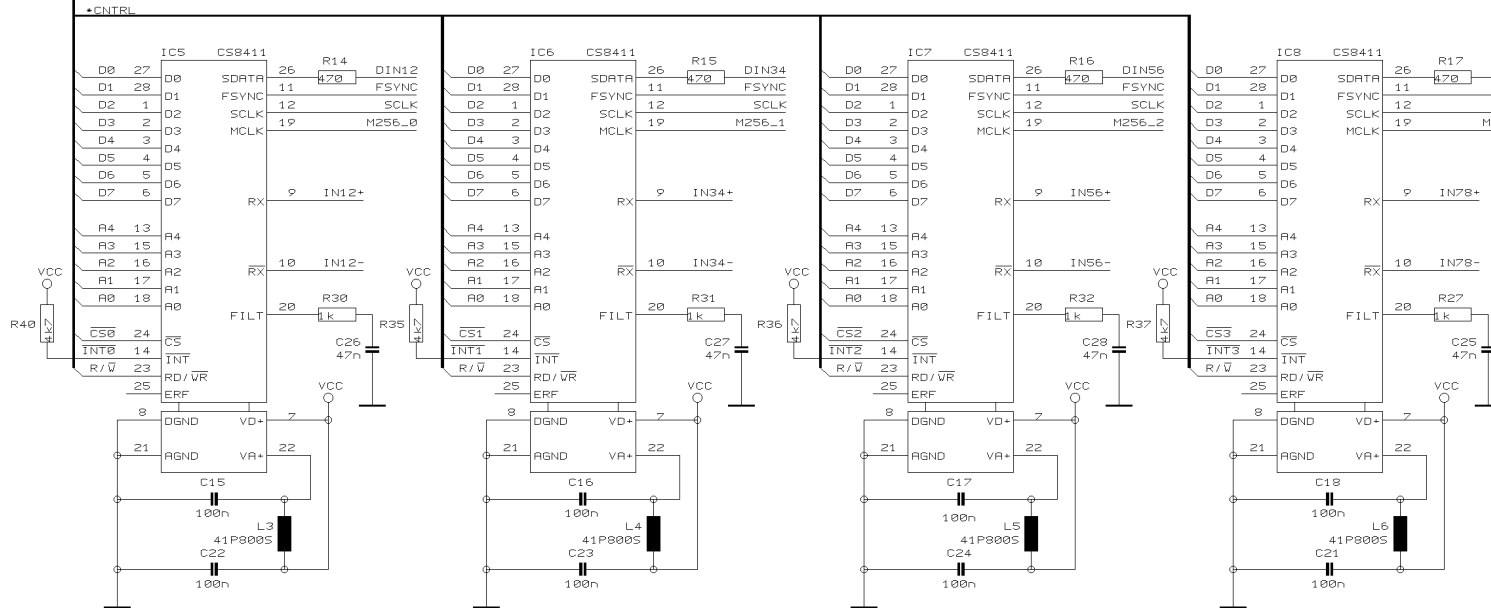
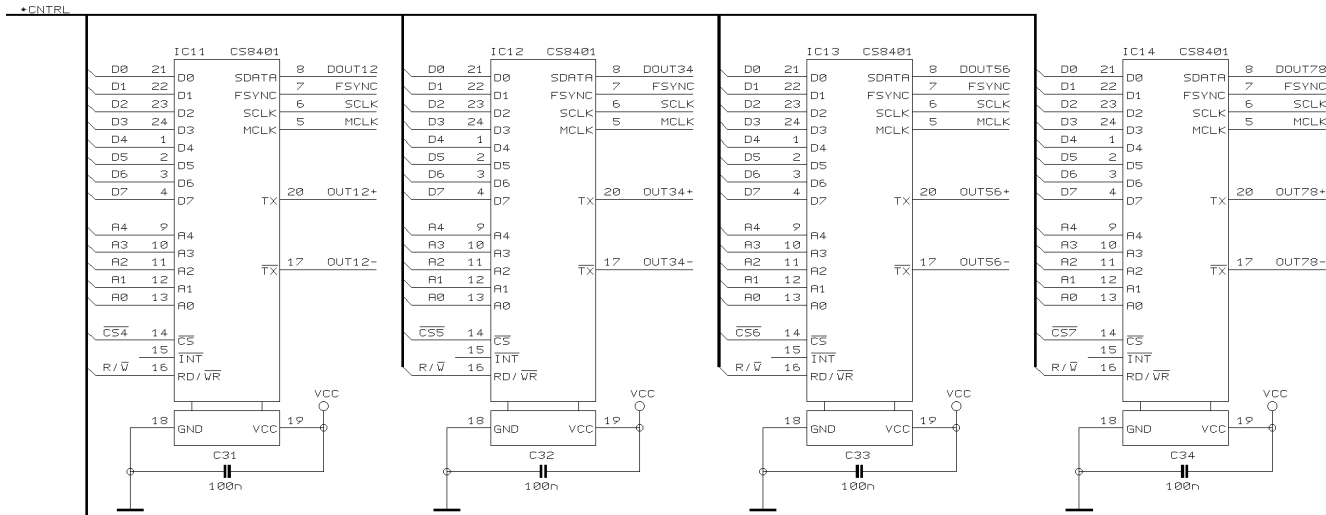
CS FOR AES-CHIPS

REVISIONS C (17.01.2001)

DRAWN SP CHECKED DATE 02.04.2 13:08



PROJECT AESIO08
DDX3216 EXPANSION BOARD
CNTRL & SELECT
SHEET 1 OF 2 SHEETS TOTAL

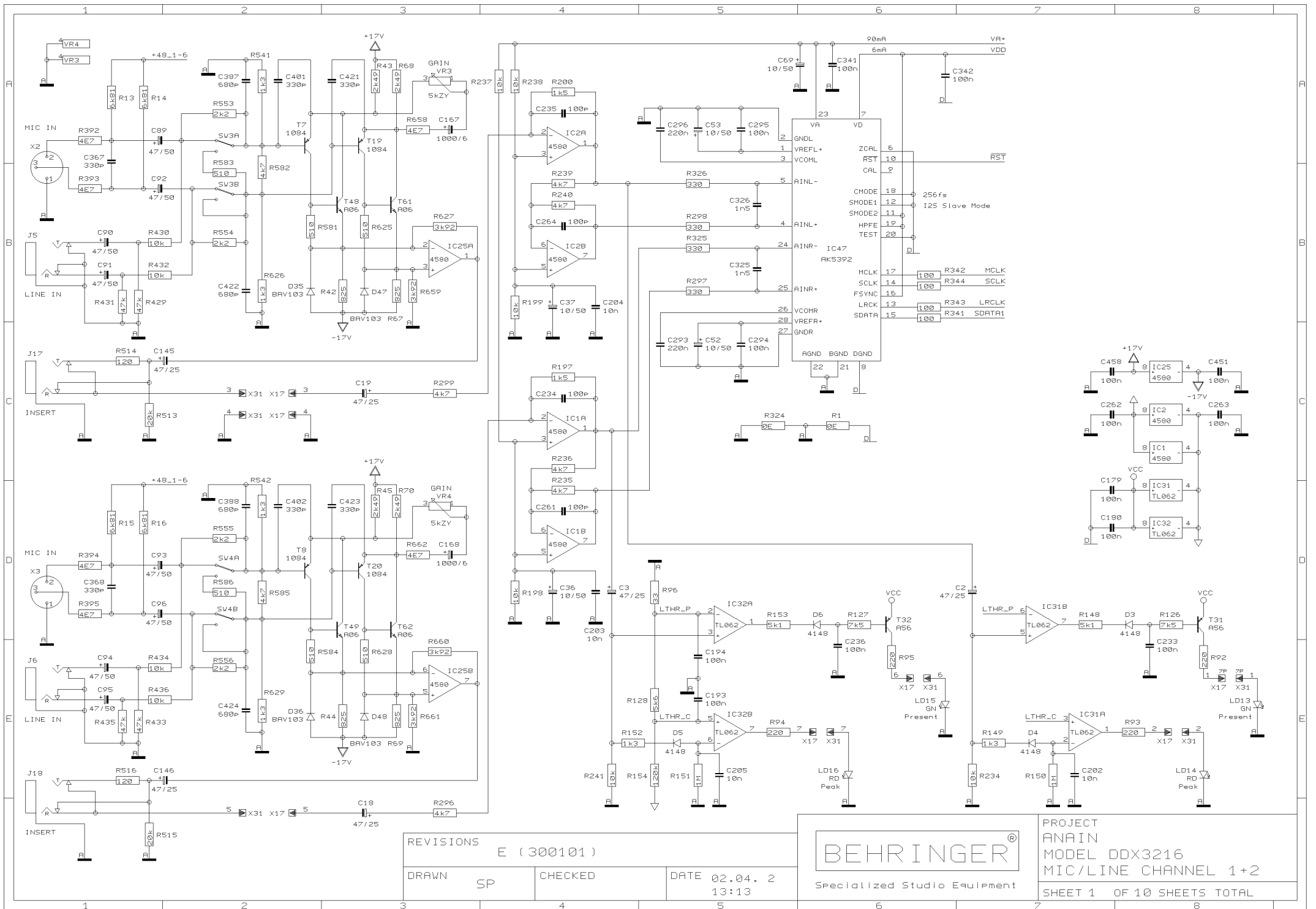


AES/EBU CD8-AE-S

REVISIONS	C
DRAWN	SP
CHECKED	
DATE	02.04. 2 13:09



PROJECT
AESIO08
DDX3216 EXPANSION BOARD
AES/EBU 8 CHANNEL IO
SHEET 2 OF 2 SHEETS TOTAL



REVISIONS E (300101)

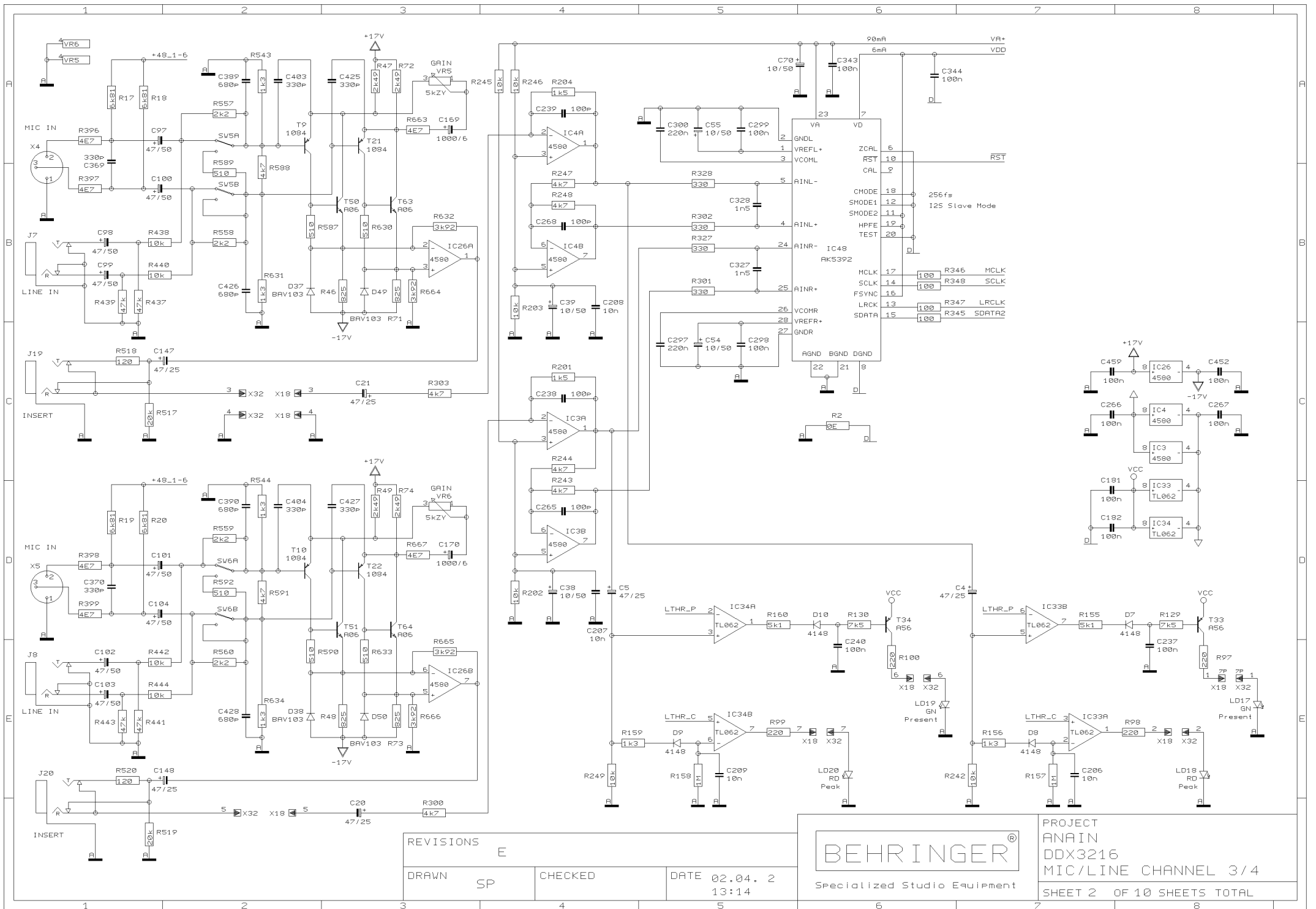
DRAWN SP

CHECKED

DATE 02.04. 2
13:13



PROJECT ANAIN
MODEL DDX3216
MIC/LINE CHANNEL 1+2
SHEET 1 OF 10 SHEETS TOTAL



REVISIONS

E

DRAWN

SP

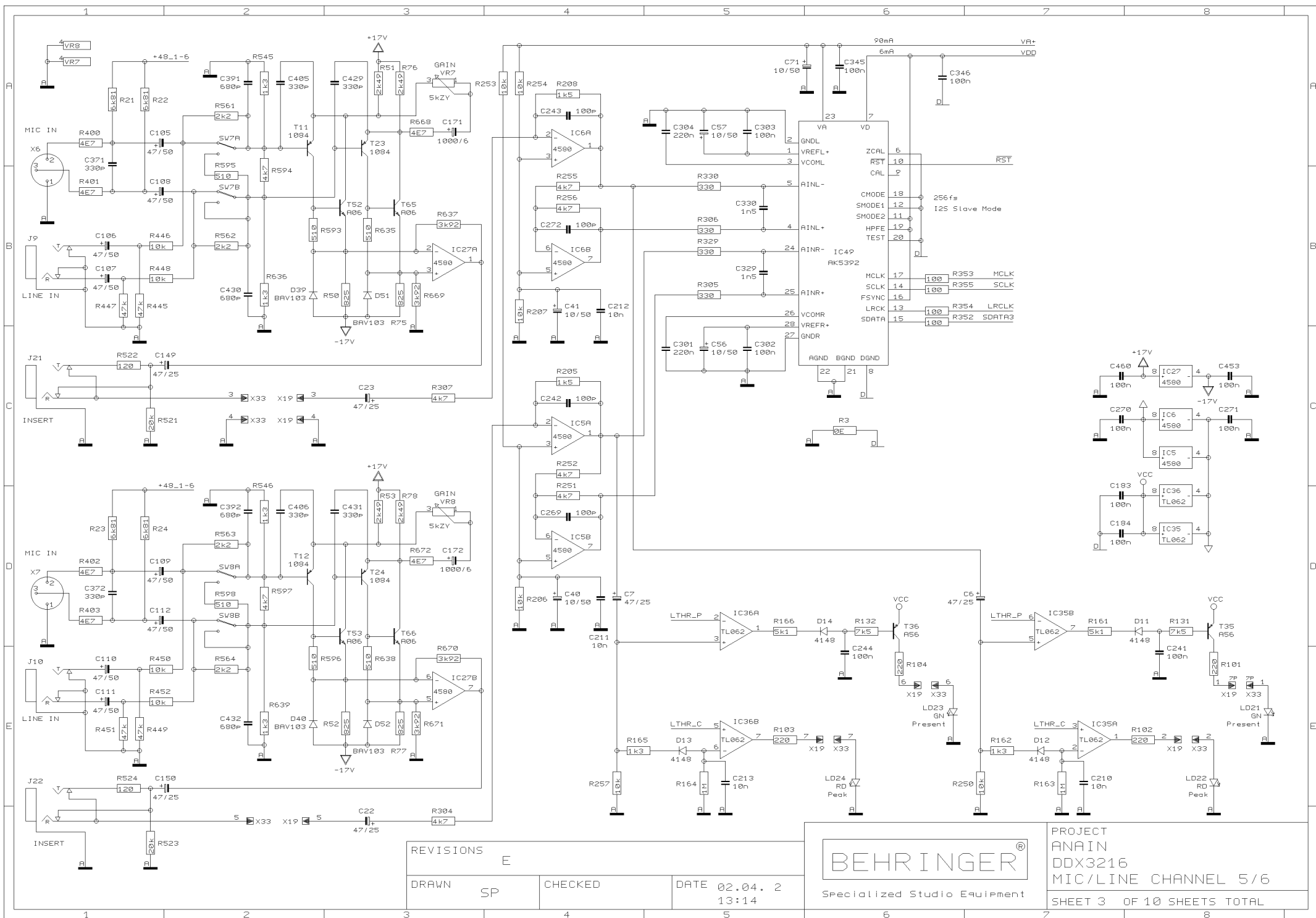
CHECKED

DATE 02.04. 2
13:14

BEHRINGER®

Specialized Studio Equipment

PROJECT
ANAIN
DDX3216
MIC/LINE CHANNEL 3 / 4
SHEET 2 OF 10 SHEETS TOTAL



REVISIONS

DRAWN

SP

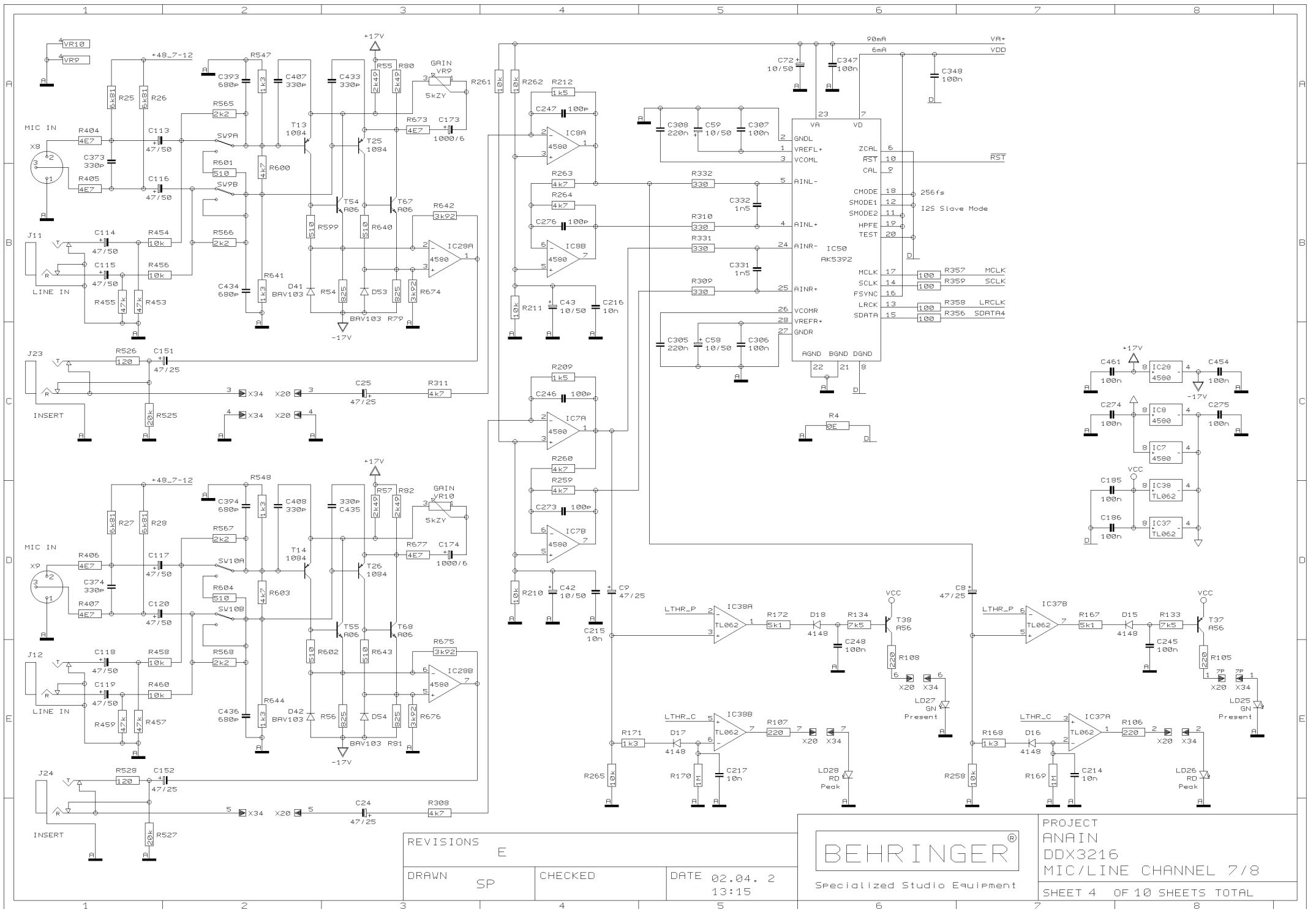
CHECKED

DATE 02.04. 2
13:14



Specialized Studio Equipment

PROJECT
ANAIN
DDX3216
MIC/LINE CHANNEL 5/6
SHEET 3 OF 10 SHEETS TOTAL



REVISIONS

E

DRAWN

SP

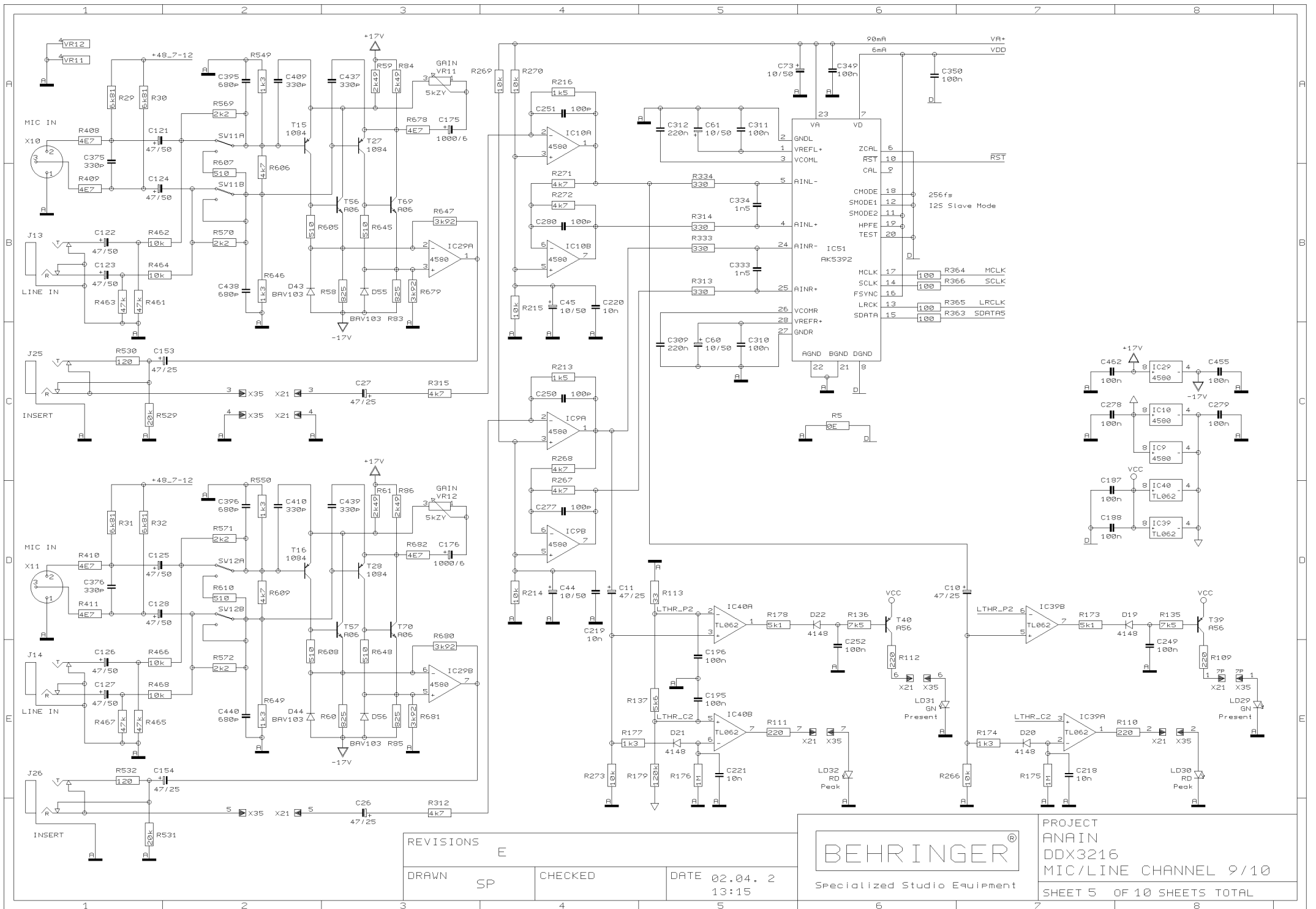
CHECKED

DATE 02.04. 2
13:15

BEHRINGER®

Specialized Studio Equipment

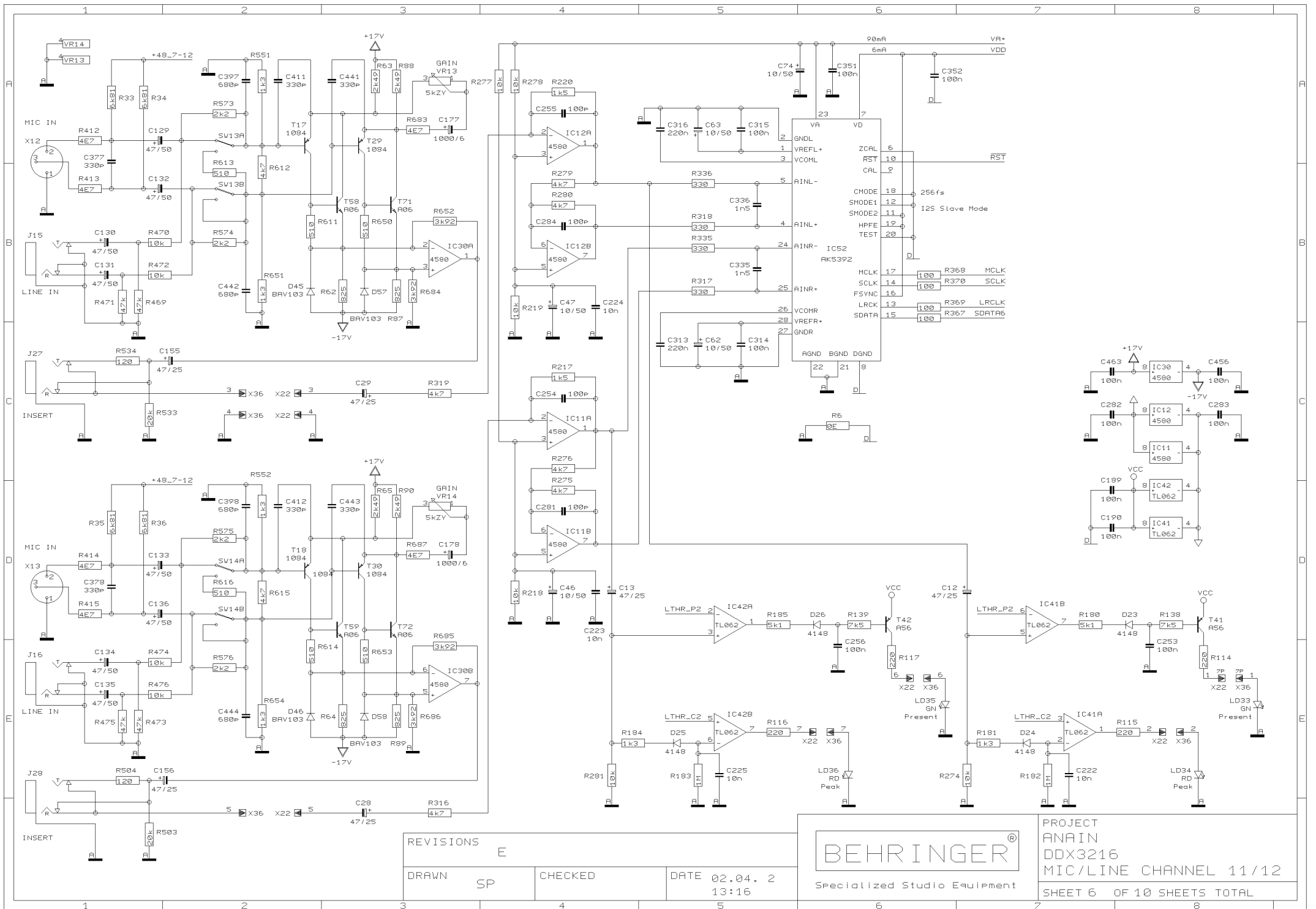
PROJECT
ANAIN
DDX3216
MIC/LINE CHANNEL 7/8
SHEET 4 OF 10 SHEETS TOTAL



REVISIONS	E		
DRAWN	SP	CHECKED	DATE 02.04. 2 13:15



PROJECT
ANAIN
DDX3216
MIC/LINE CHANNEL 9/10
SHEET 5 OF 10 SHEETS TOTAL



REVISIONS

E

DRAWN

SP

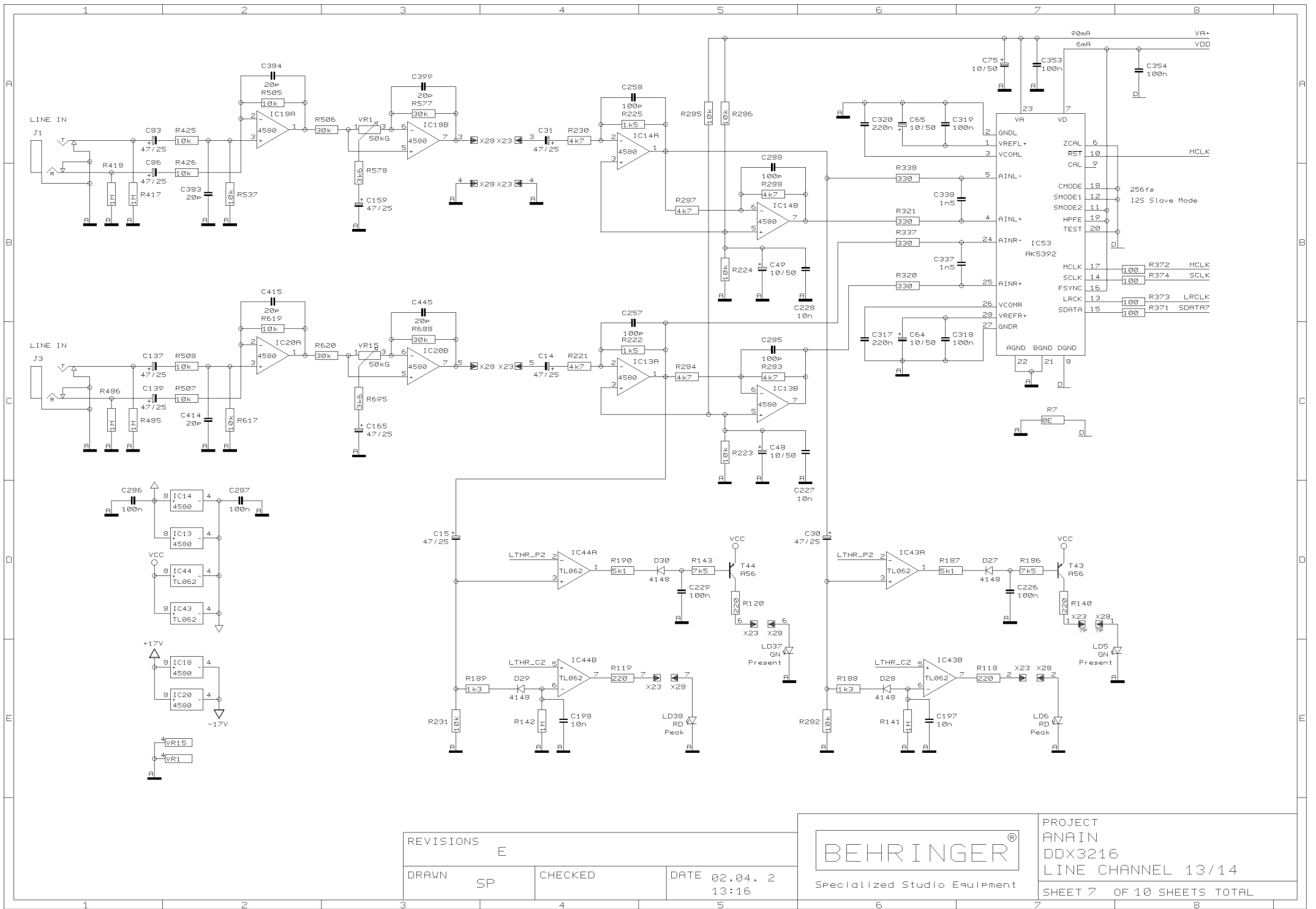
CHECKED

DATE 02.04. 2
13:16

BEHRINGER®

Specialized Studio Equipment

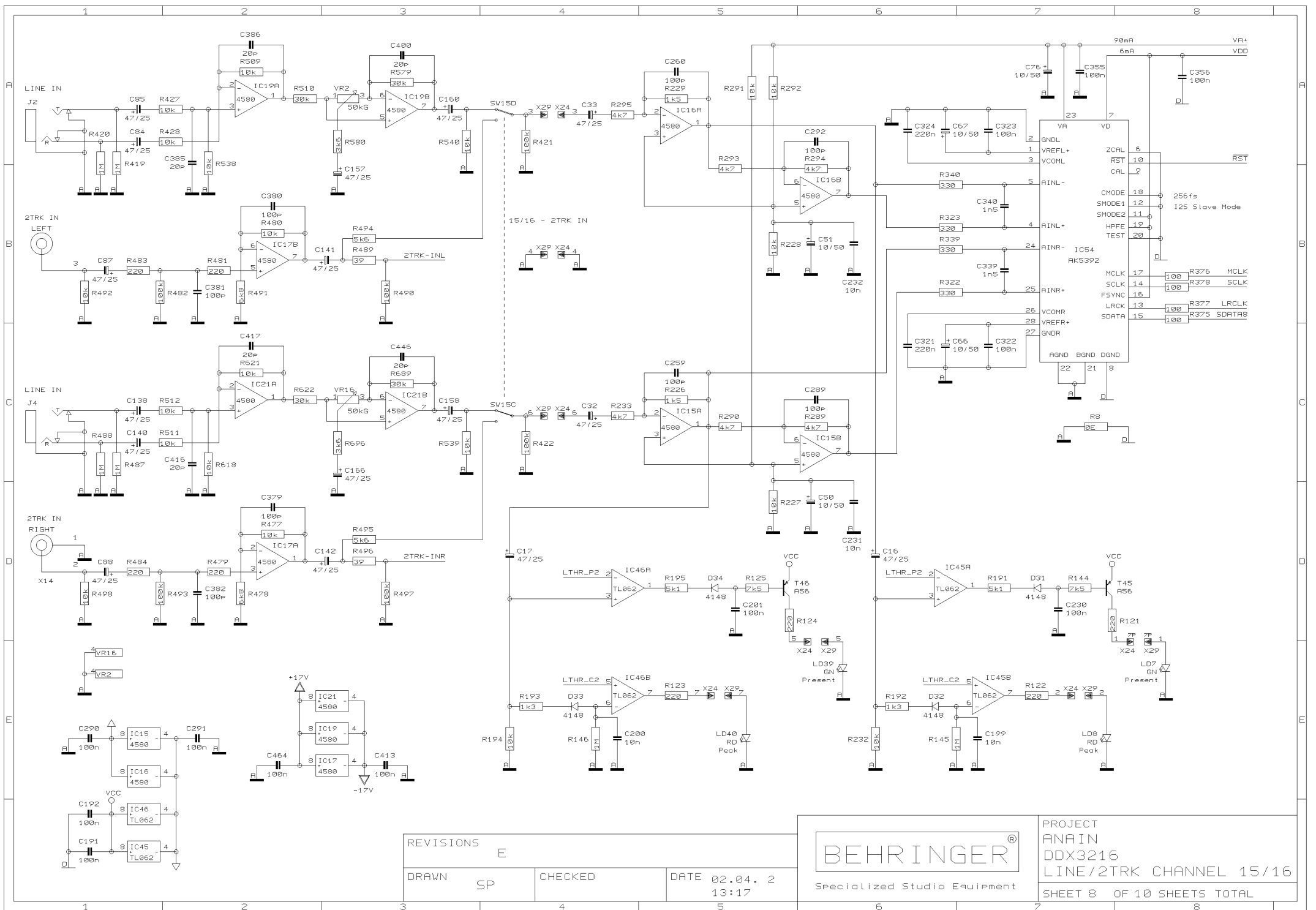
PROJECT
ANAIN
DDX3216
MIC/LINE CHANNEL 11/12
SHEET 6 OF 10 SHEETS TOTAL



REVISIONS	
E	
DRAWN	SP
CHECKED	
DATE	02.04. 2 13:16

BEHRINGER®
Specialized Studio Equipment

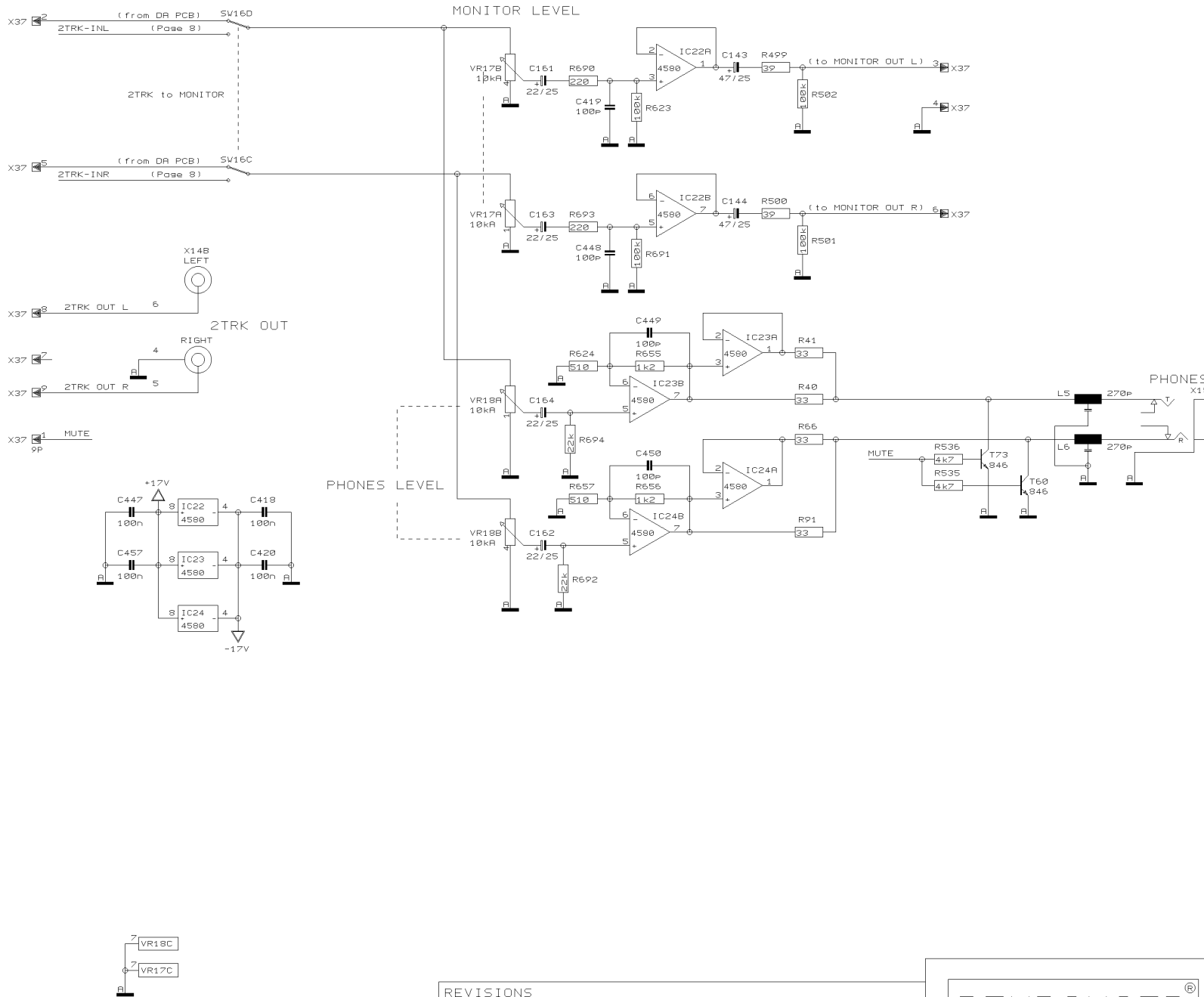
PROJECT
ANAIN
DDX3216
LINE CHANNEL 13/14
SHEET 7 OF 10 SHEETS TOTAL



REVISIONS	E	
DRAWN	SP	CHECKED
DATE	02.04. 2 13:17	



PROJECT
ANAIN
DDX3216
LINE/2TRK CHANNEL 15/16
SHEET 8 OF 10 SHEETS TOTAL



REVISIONS

E

DRAWN

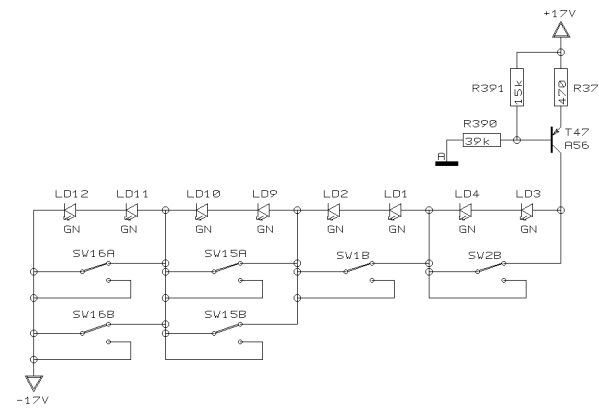
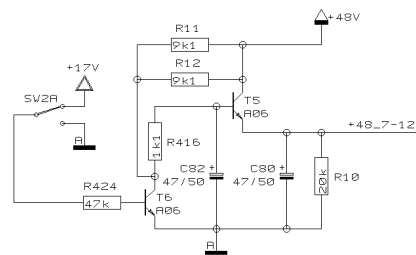
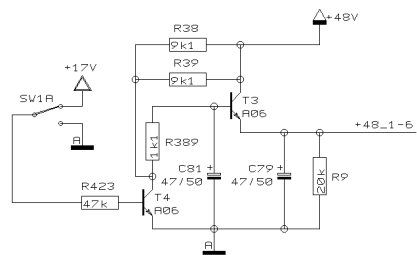
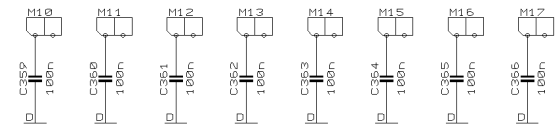
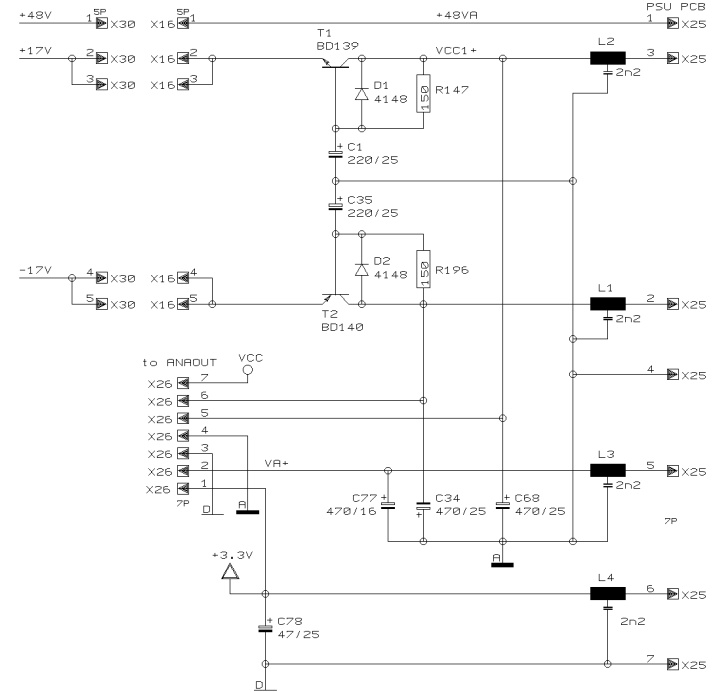
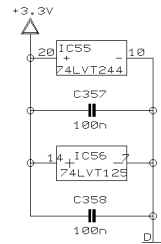
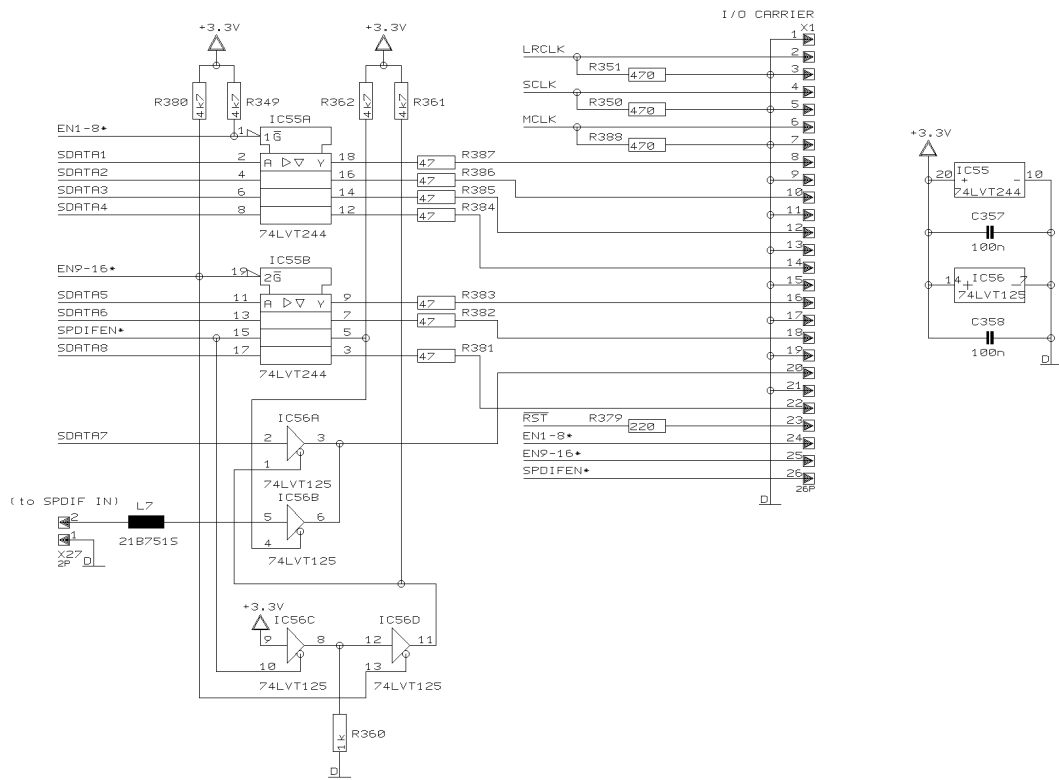
SP

CHECKED

DATE 02.04. 2
13:17



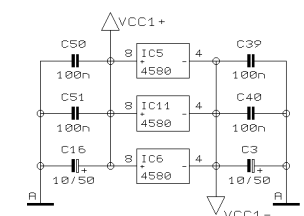
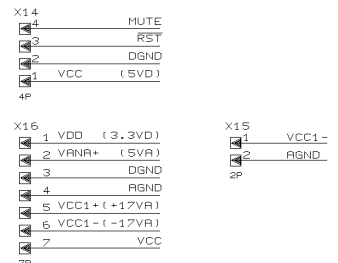
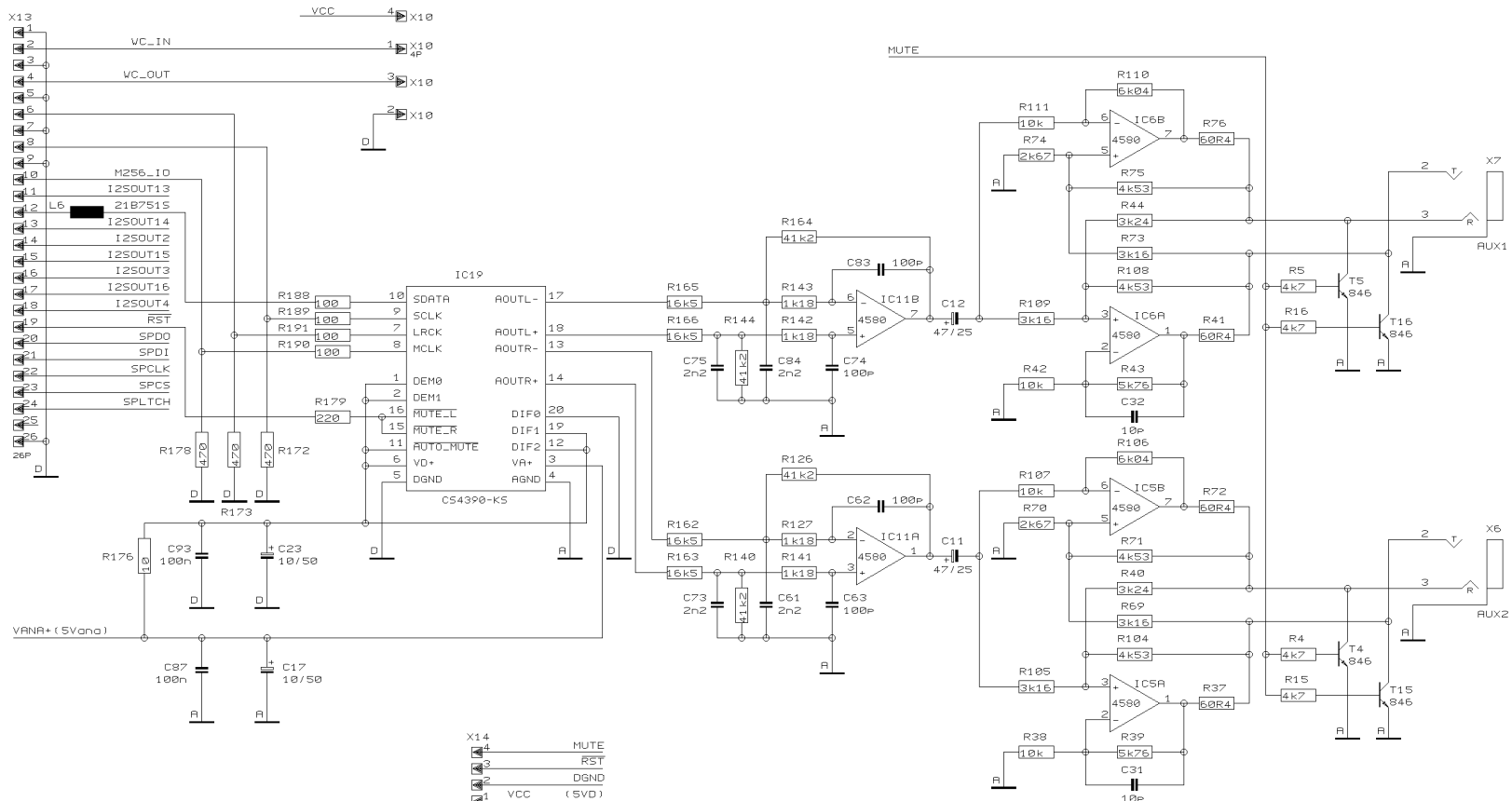
PROJECT
ANAIN
DDX3216
MONITOR / PHONES
SHEET 9 OF 10 SHEETS TOTAL



REVISIONS		E	
DRAWN	SP	CHECKED	DATE 02.04. 2 13:18



PROJECT
ANAIN
DDX3216
I2S INTERFACE
SHEET 10 OF 10 SHEETS TOTAL



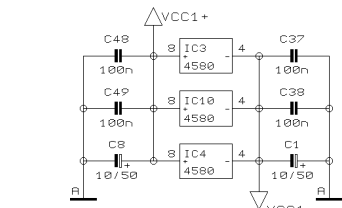
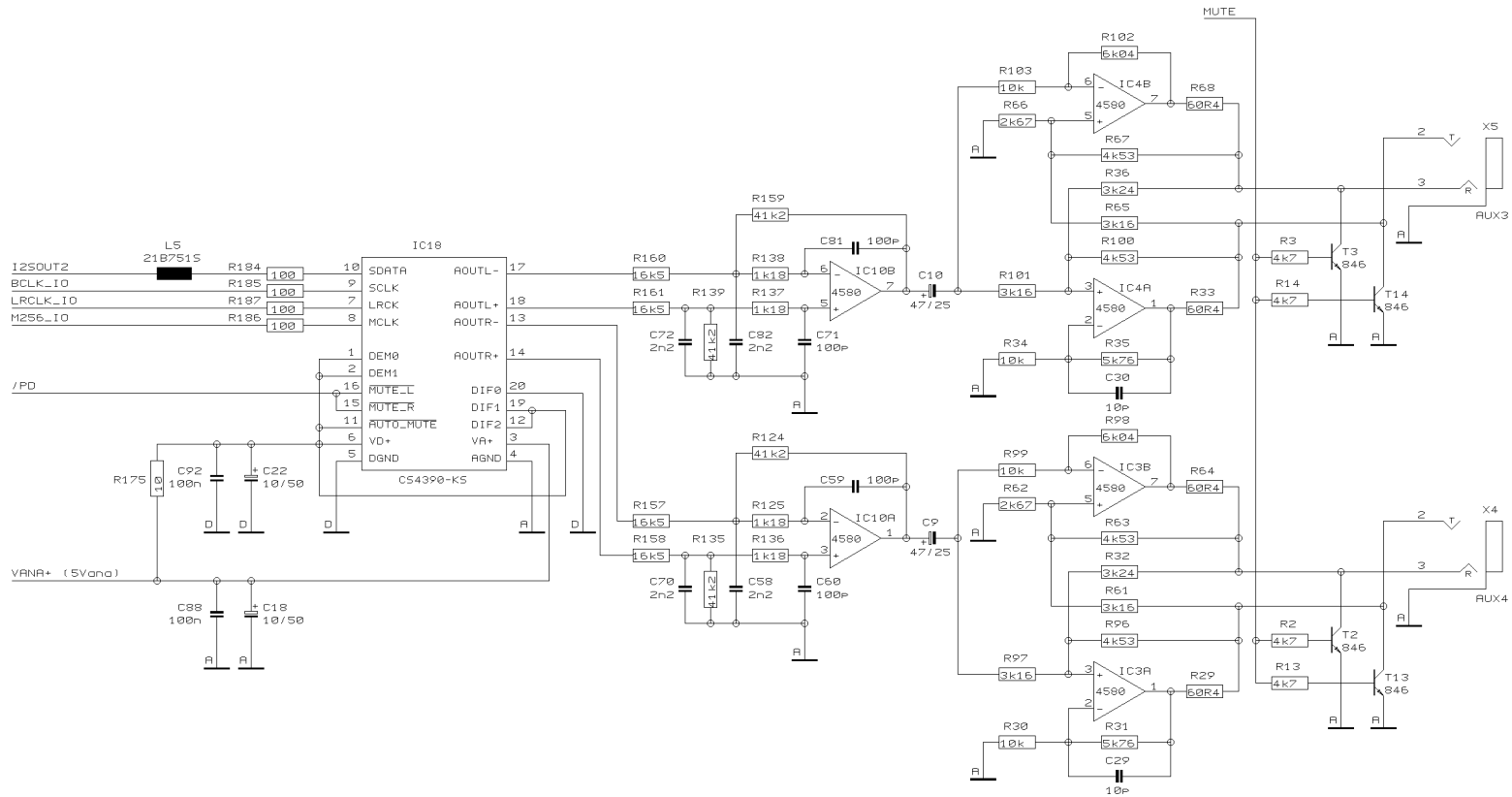
REVISIONS F (29/01/2001)

DRAWN SP CHECKED DATE 02.04.2 13:28



Specialized Studio Equipment

PROJECT AOUT1
 MODEL DDX3216
 AUX1 / 2 OUT
 SHEET 1 OF 4 SHEETS TOTAL



REVISIONS F

DRAWN SP

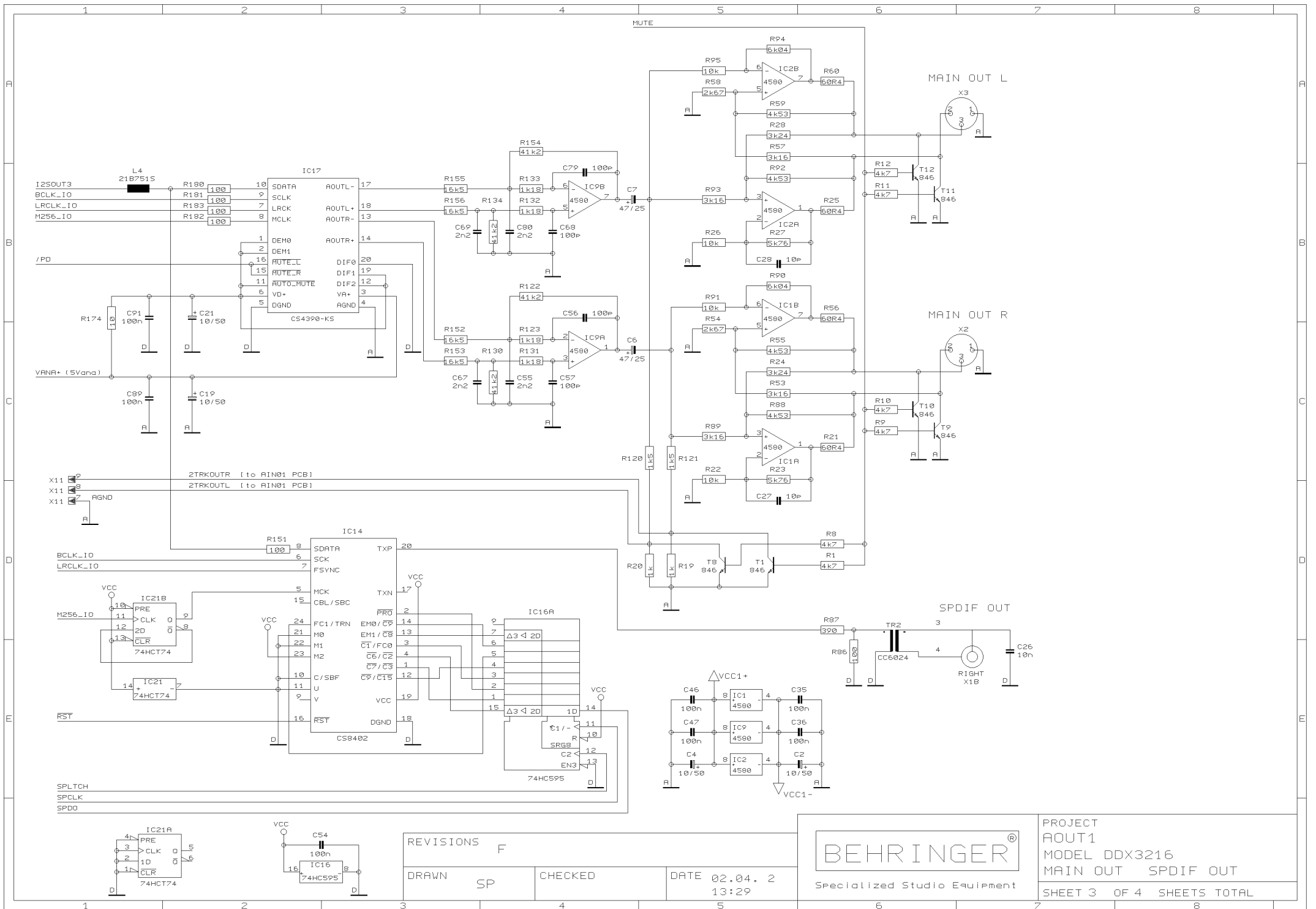
CHECKED

DATE 02.04. 2
13:29



PROJECT
AOUT1
MODEL DDX3216
AUX3 / 4 OUT

SHEET 2 OF 4 SHEETS TOTAL



REVISIONS F

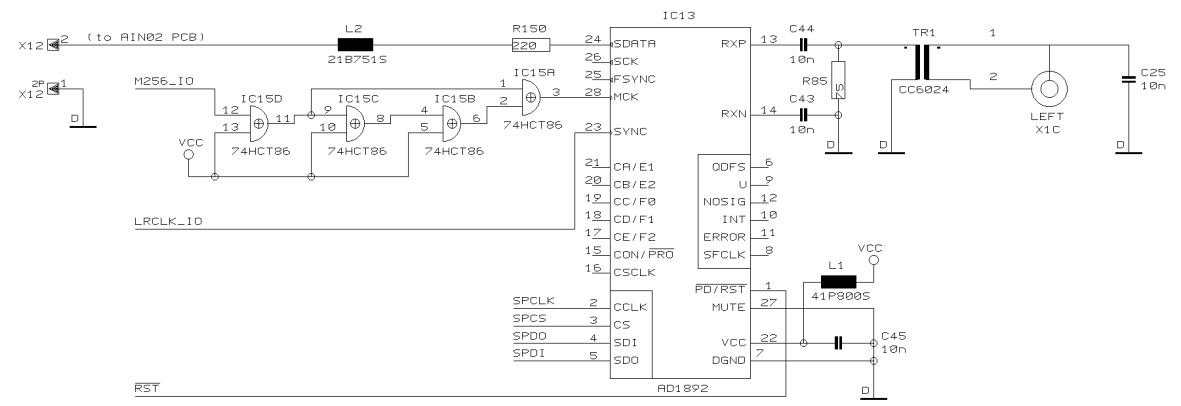
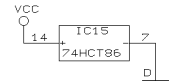
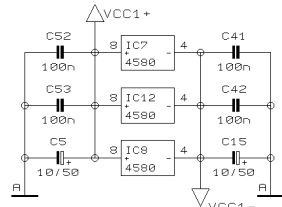
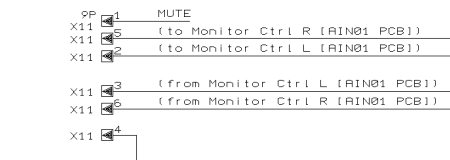
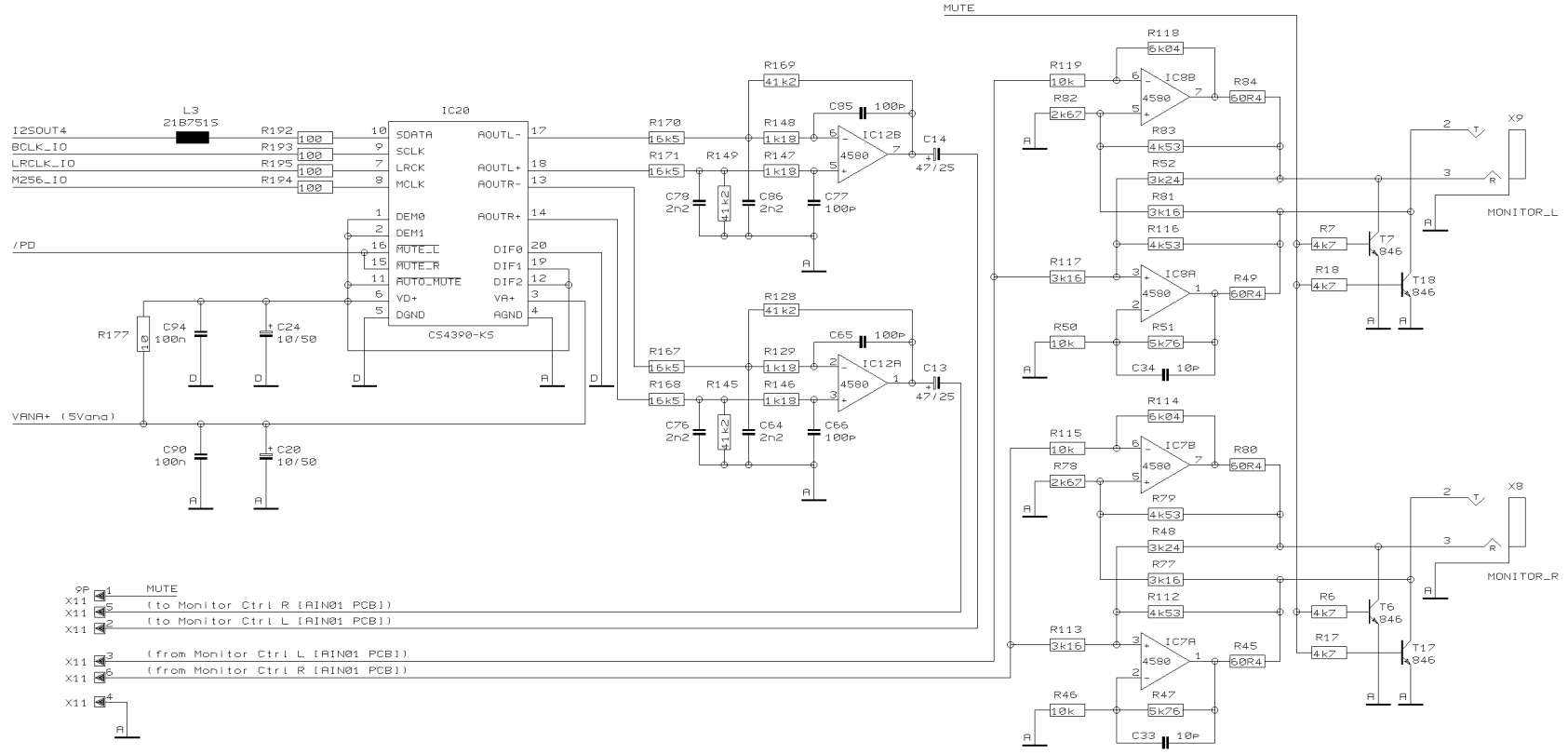
DRAWN SP

CHECKED

DATE 02.04. 2
13:29



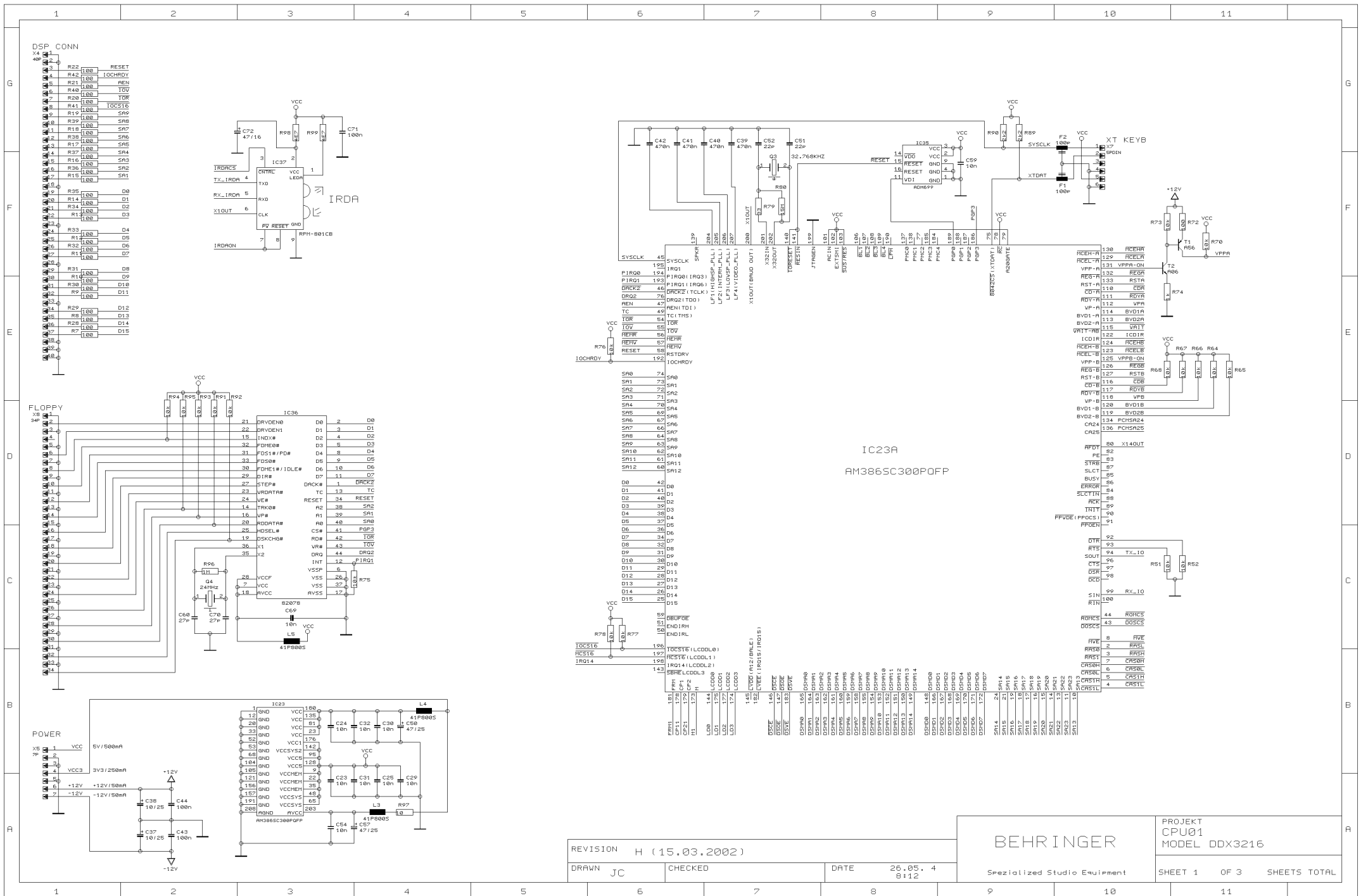
PROJECT
AOUT1
MODEL DDX3216
MAIN OUT SPDIF OUT
SHEET 3 OF 4 SHEETS TOTAL



REVISIONS	F
DRAWN	SP
CHECKED	
DATE	02.04. 2 13:30



PROJECT
AOUT1
MODEL DDX3216
MONITOR / PHONES
SHEET 4 OF 4 SHEETS TOTAL

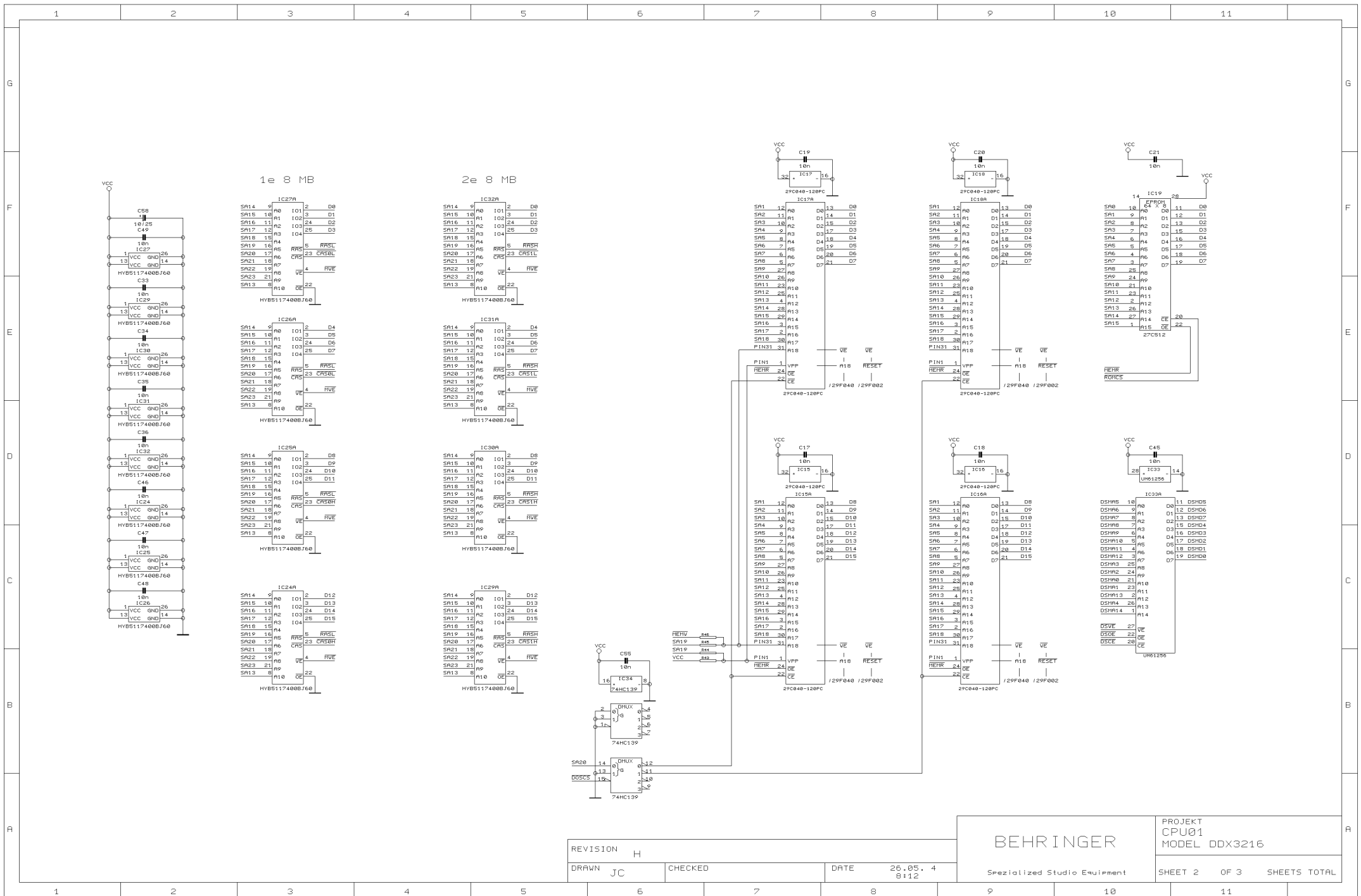


BEHRINGER

PROJEKT
CPU01
MODEL DDX3216

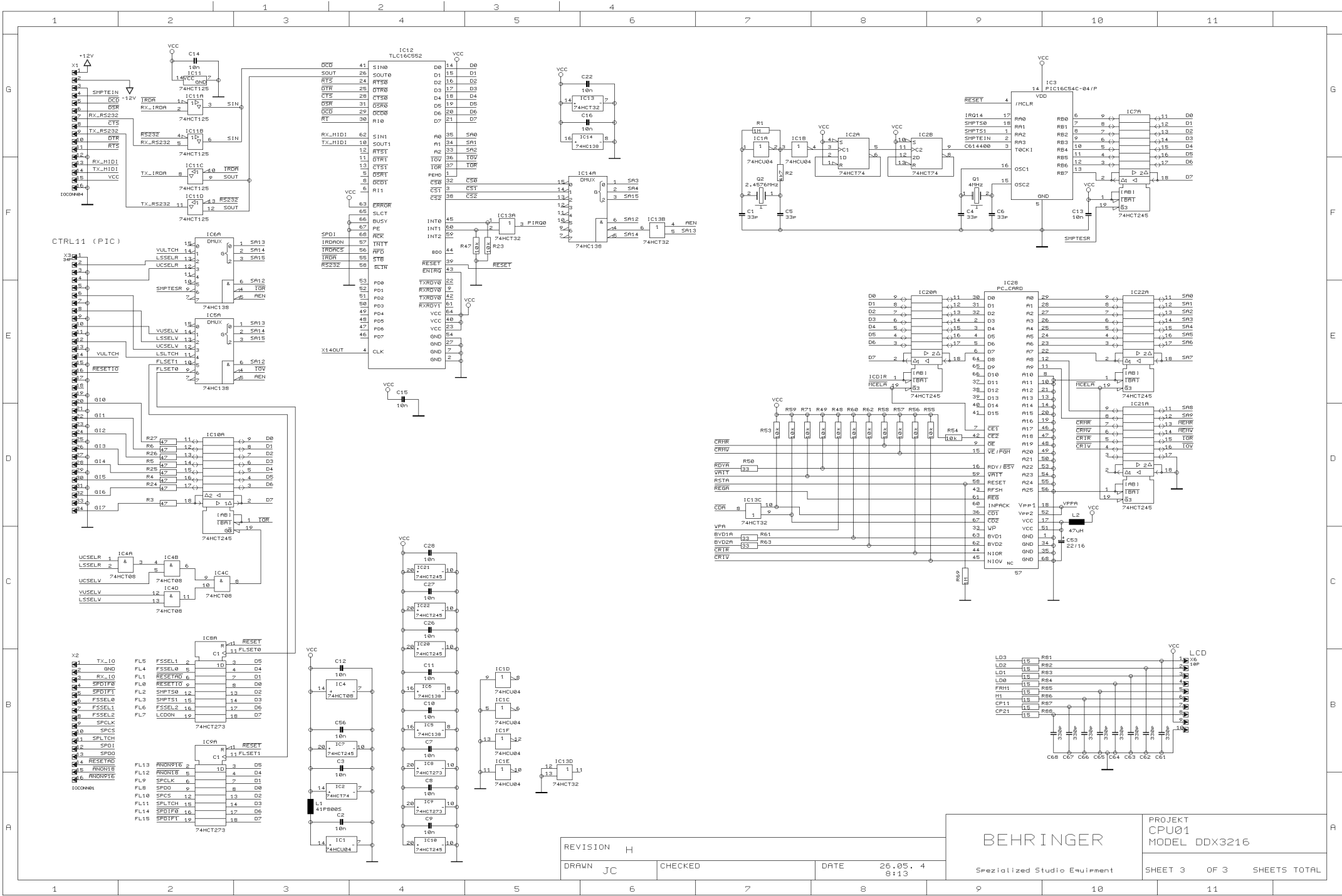
Spezialized Studio Equipment

SHEET 1 OF 3 SHEETS TOTAL



REVISION	H
DRAWN	JC
CHECKED	
DATE	26.05. 4 8:12

BEHRINGER		PROJEKT CPU01 MODEL DDX3216	
Spezialized Studio Equipment		SHEET 2	OF 3 SHEETS TOTAL



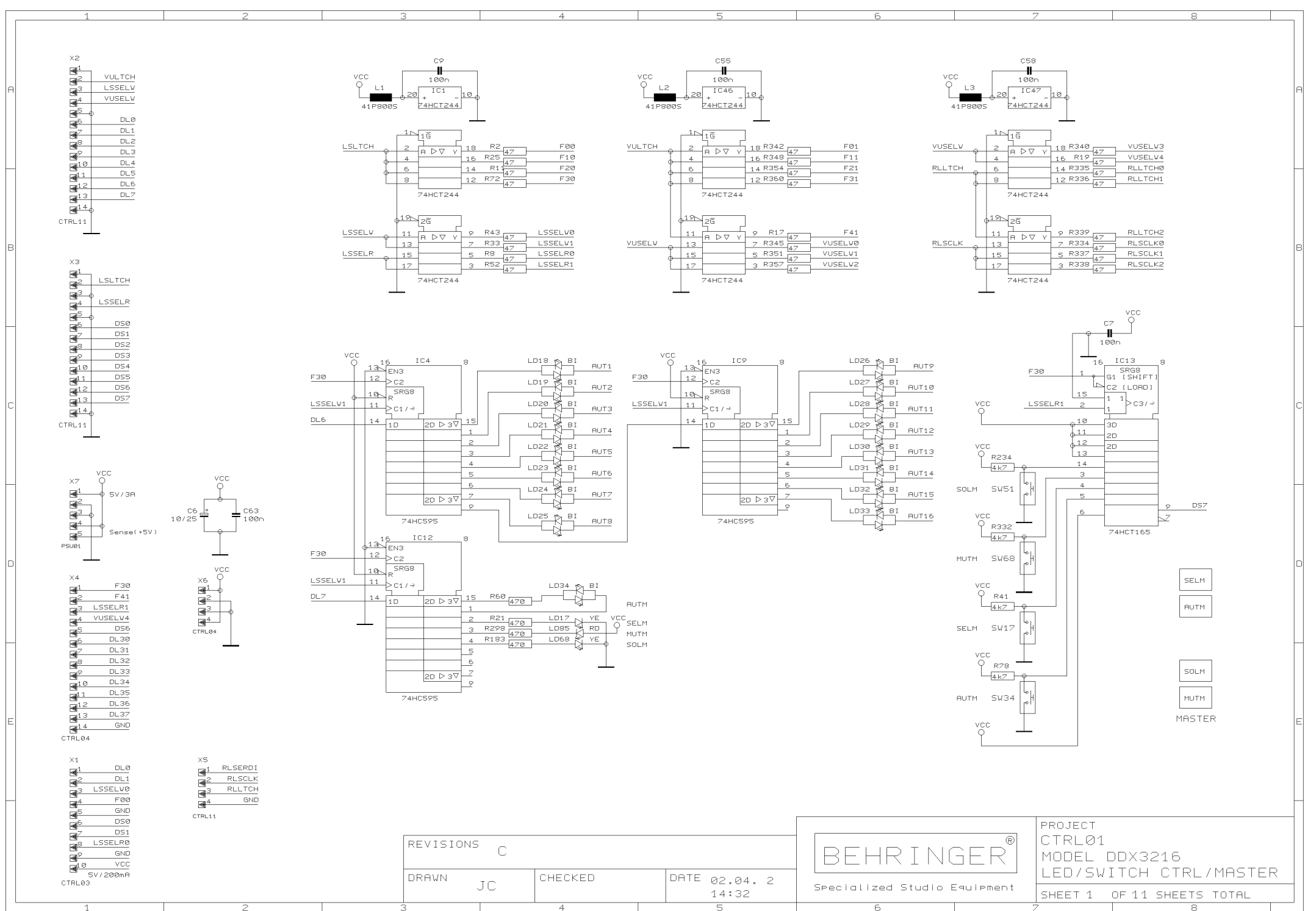
REVISION H
DRAWN JC CHECKED DATE 26.05. 4 8:13

BEHRINGER

Spezialized Studio Equipment

PROJEKT CPU01
MODEL DDX3216

SHEET 3 OF 3 SHEETS TOTAL



REVISIONS C

DRAWN JC

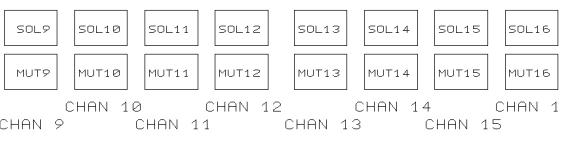
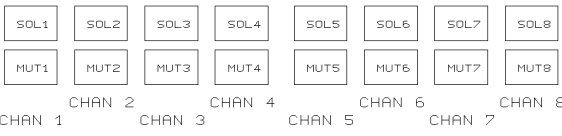
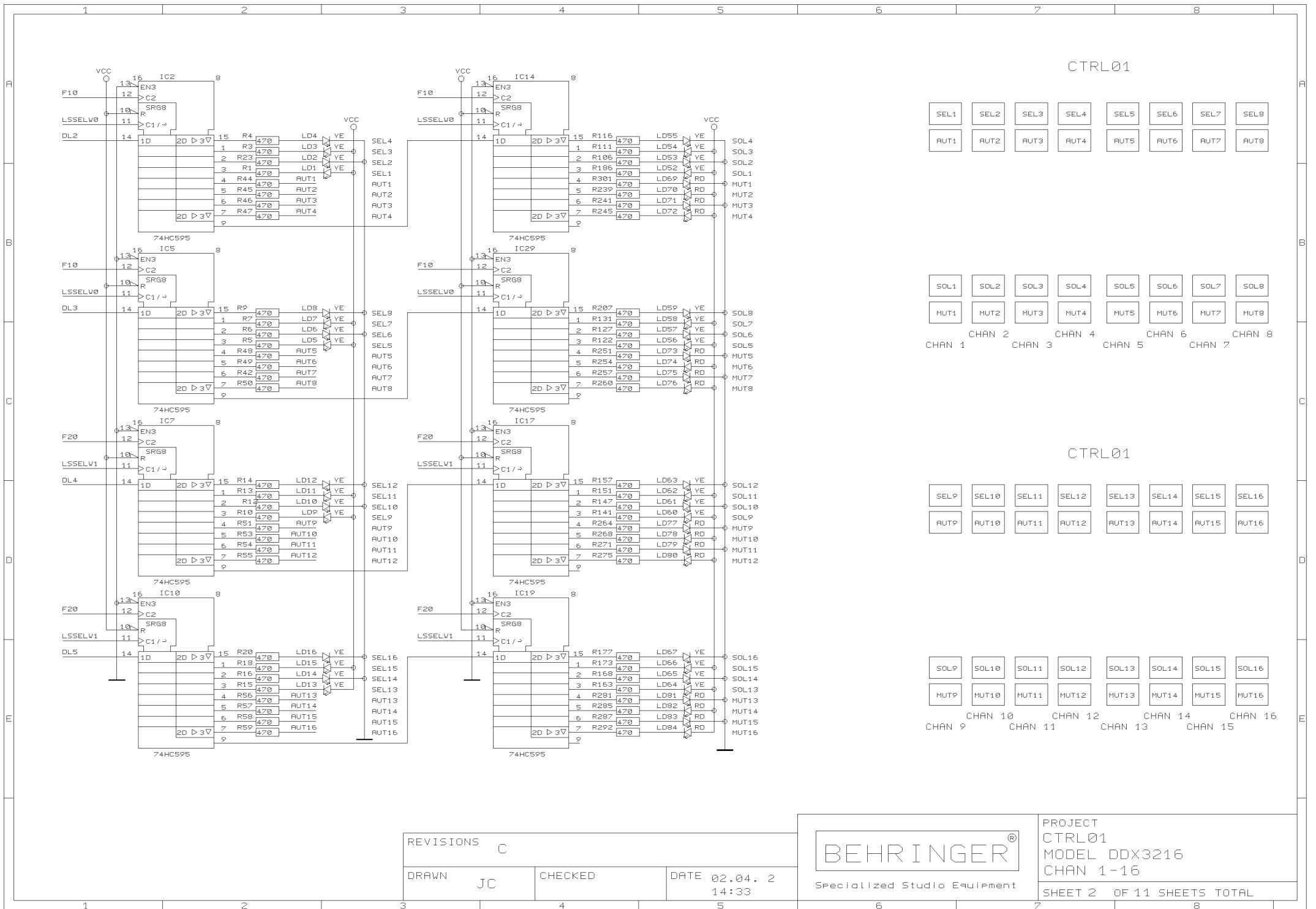
CHECKED

DATE 02.04. 2
14:32

BEHRINGER®

Specialized Studio Equipment

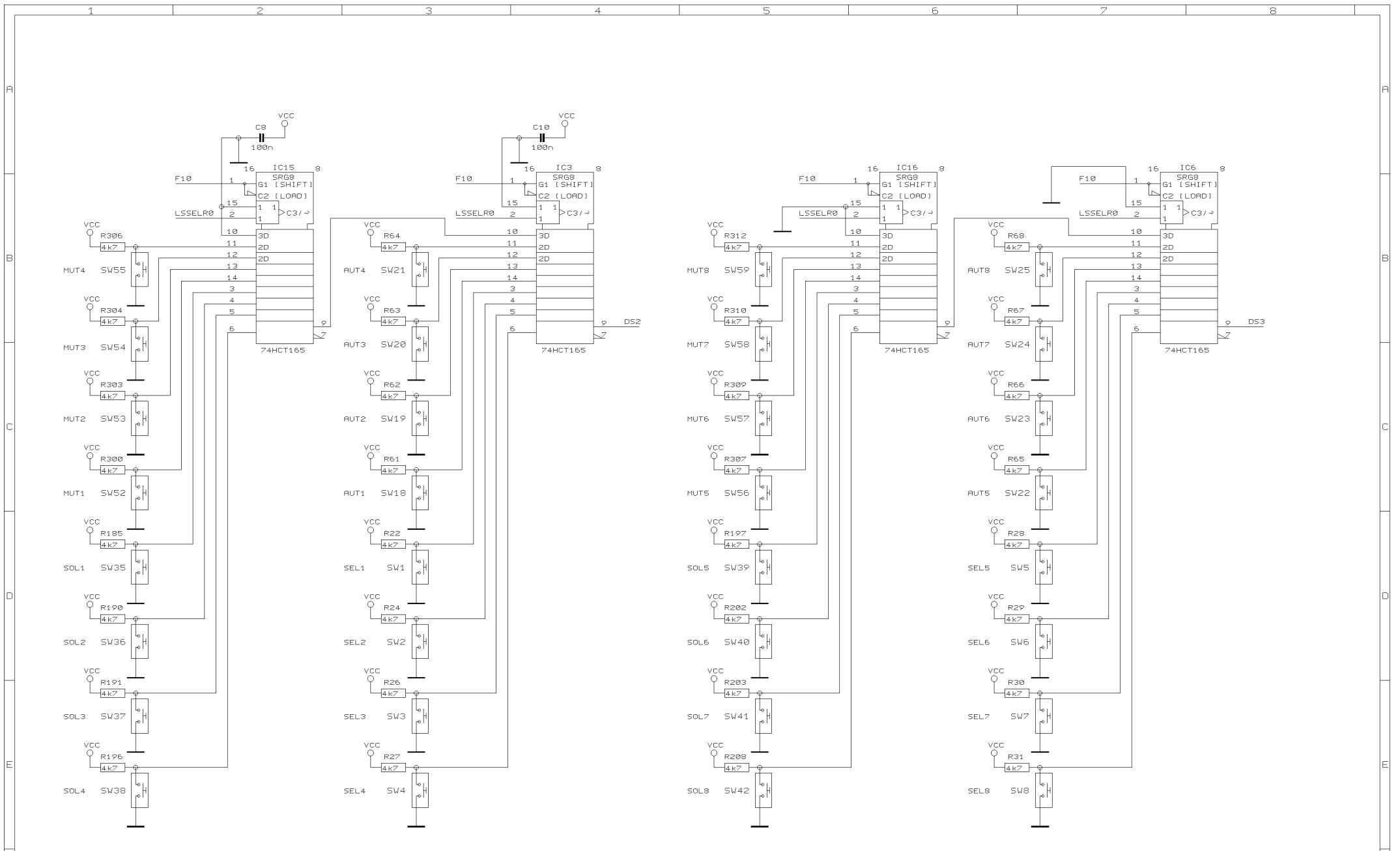
PROJECT
CTRL01
MODEL DDX3216
LED/SWITCH CTRL/MASTER
SHEET 1 OF 11 SHEETS TOTAL



REVISIONS	C		
DRAWN	JC	CHECKED	DATE 02.04. 2 14:33



PROJECT
CTRL01
MODEL DDX3216
CHAN 1-16
SHEET 2 OF 11 SHEETS TOTAL



REVISIONS C

DRAWN JC

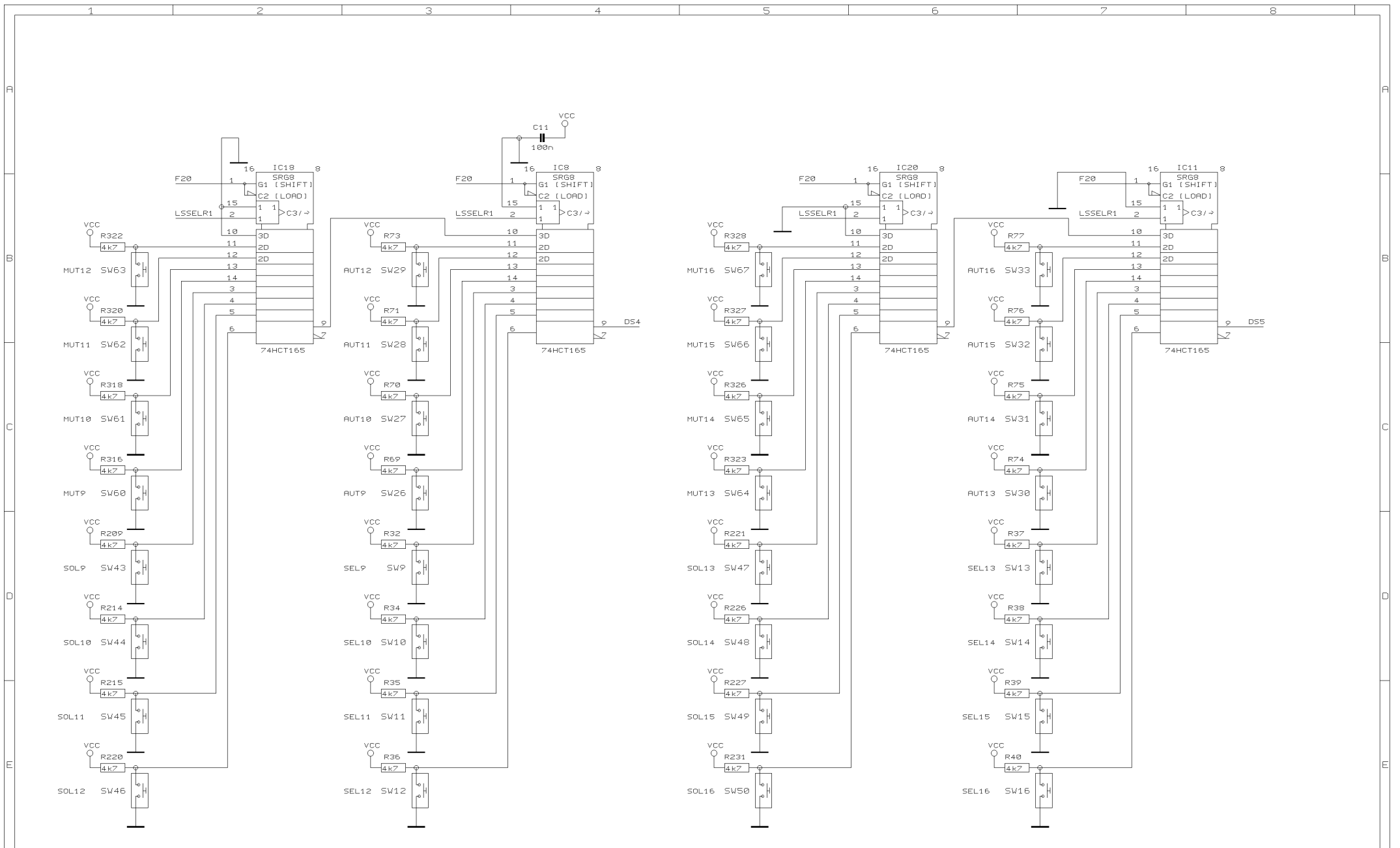
CHECKED

DATE 02.04. 2
14:33



PROJECT
CTRL01
MODEL DDX3216
SWITCH CHAN 1-8

SHEET 3 OF 11 SHEETS TOTAL



REVISIONS C

DRAWN JC

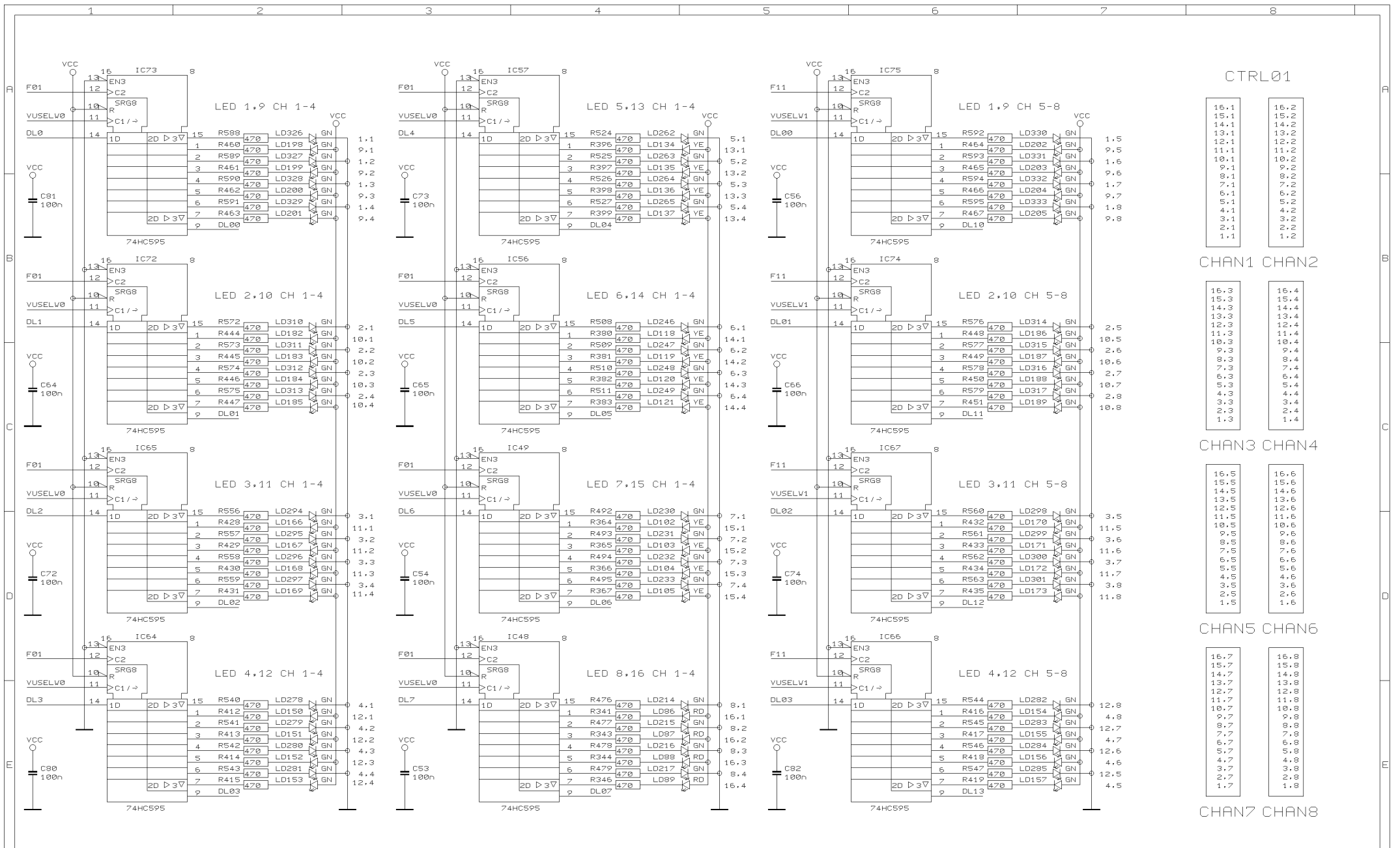
CHECKED

DATE 02.04. 2
14:34



PROJECT
CTRL01
MODEL DDX3216
SWITCH CHAN 9-12

SHEET 4 OF 11 SHEETS TOTAL



REVISIONS C

DRAWN JC

CHECKED

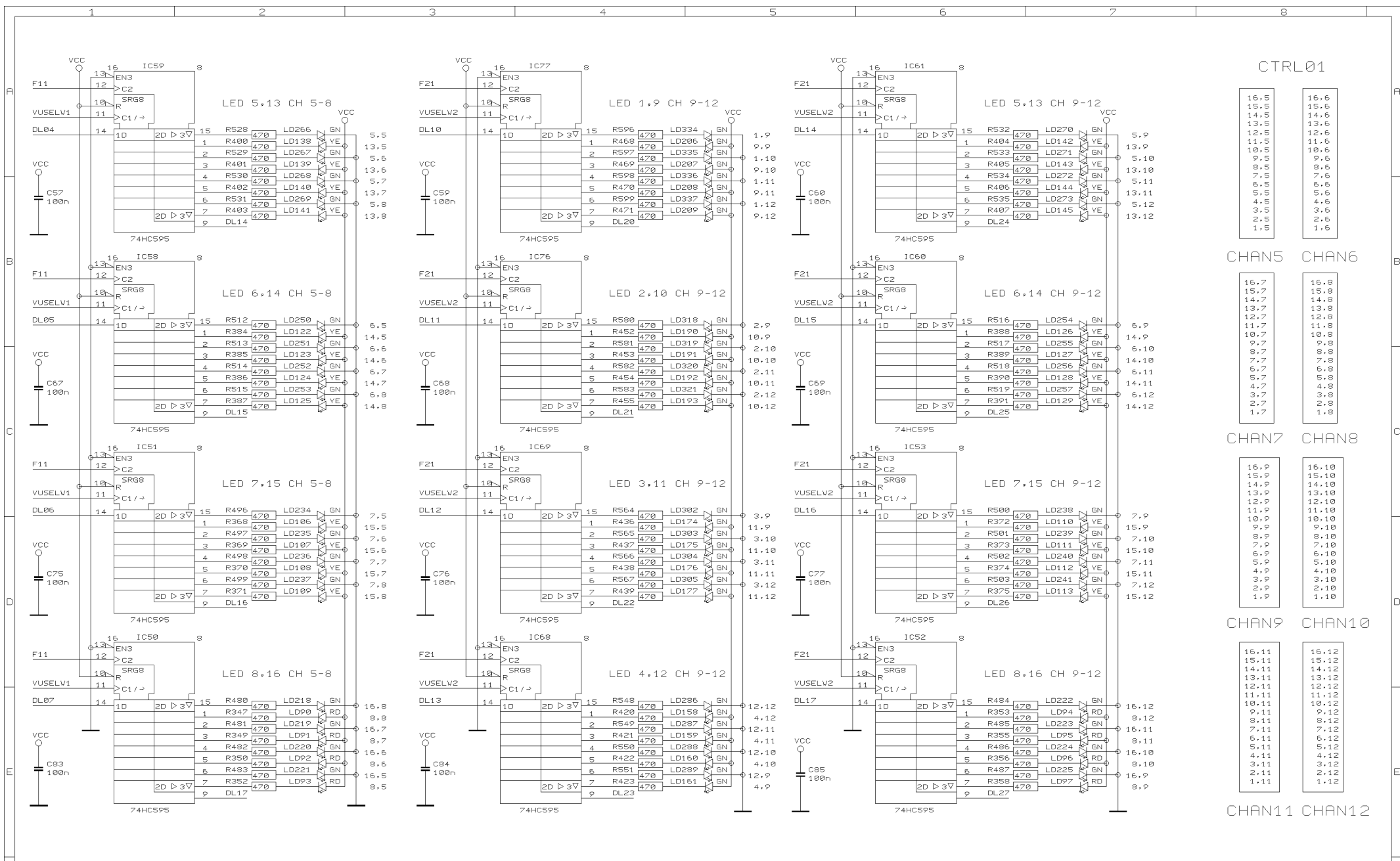
DATE 02.04. 2
14:34

BEHRINGER®

Specialized Studio Equipment

PROJECT
CTRL01
MODEL DDX3216
VU CHAN 1-8

SHEET 5 OF 11 SHEETS TOTAL



REVISIONS C

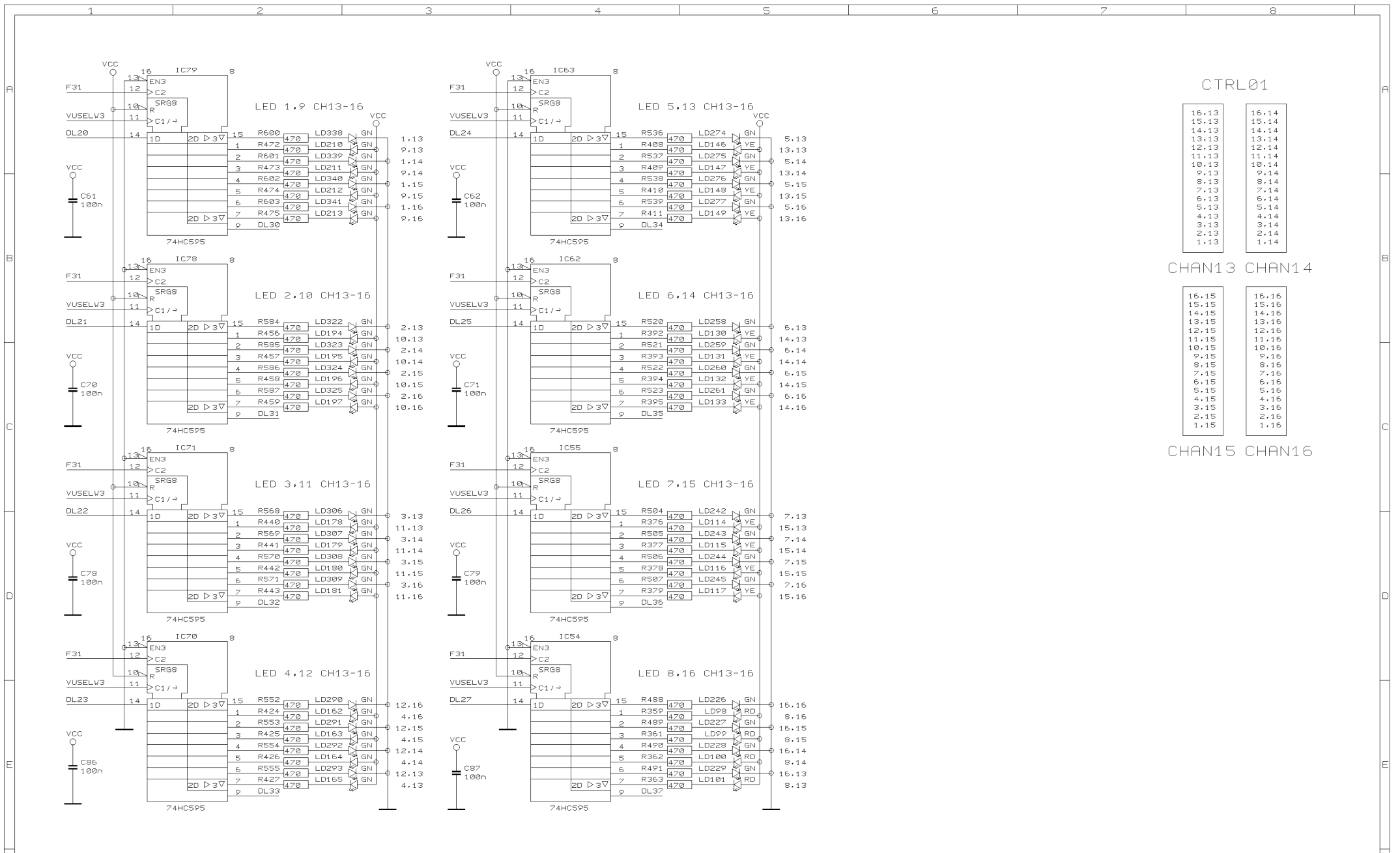
DRAWN JC

CHECKED

DATE 02.04. 2
14:35



PROJECT
CTRL01
MODEL DDX3216
VU CHAN 8-12
SHEET 6 OF 11 SHEETS TOTAL



CTRL01

16.13	16.14
15.13	15.14
14.13	14.14
13.13	13.14
12.13	12.14
11.13	11.14
10.13	10.14
9.13	9.14
8.13	8.14
7.13	7.14
6.13	6.14
5.13	5.14
4.13	4.14
3.13	3.14
2.13	2.14
1.13	1.14

CHAN13 CHAN14

16.15	16.16
15.15	15.16
14.15	14.16
13.15	13.16
12.15	12.16
11.15	11.16
10.15	10.16
9.15	9.16
8.15	8.16
7.15	7.16
6.15	6.16
5.15	5.16
4.15	4.16
3.15	3.16
2.15	2.16
1.15	1.16

CHAN15 CHAN16

REVISIONS C

DRAWN JC

CHECKED

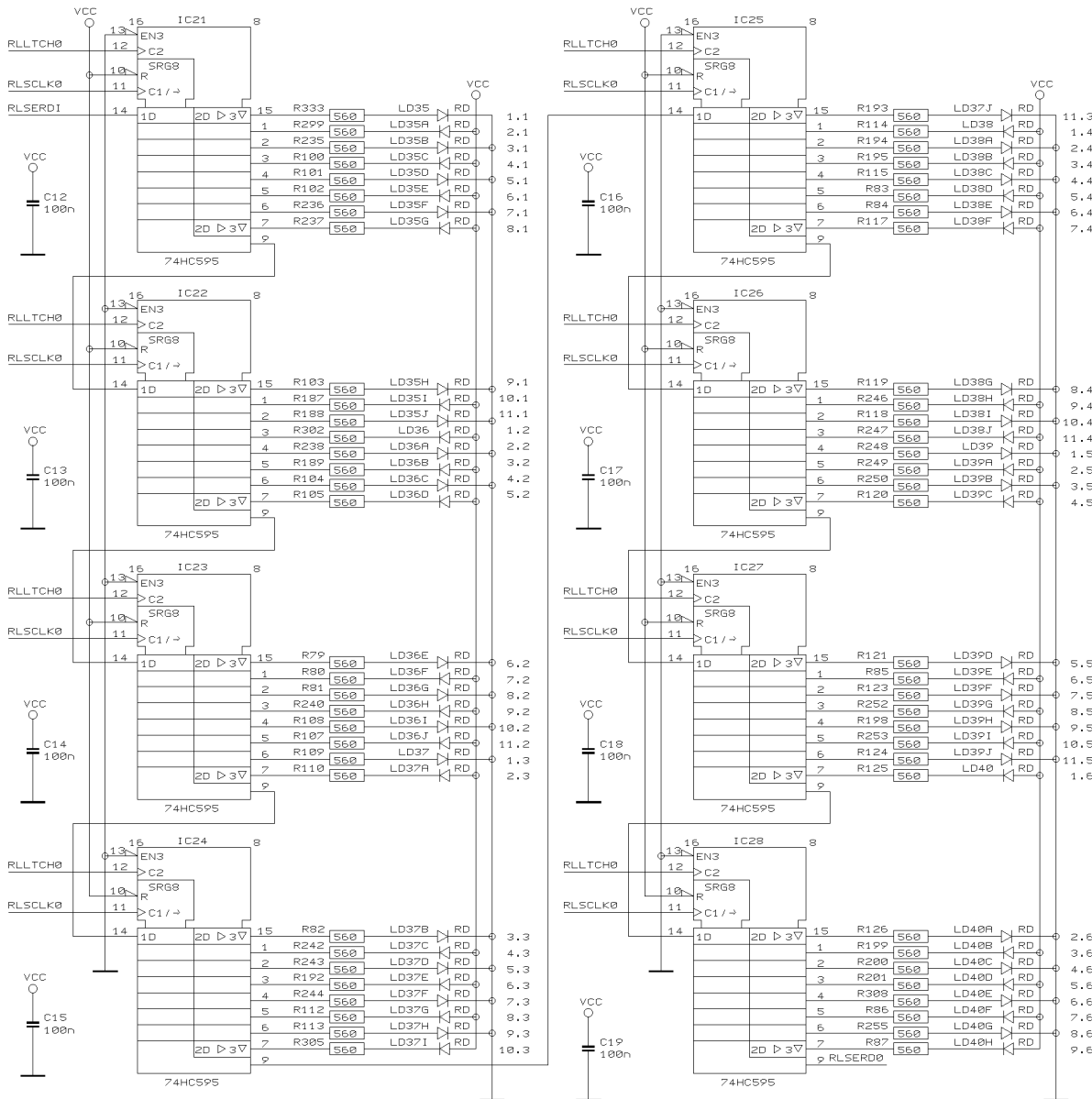
DATE 02.04. 2
14:35



Specialized Studio Equipment

PROJECT
CTRL01
MODEL DDX3216
VU CHAN 13-16

SHEET 7 OF 11 SHEETS TOTAL



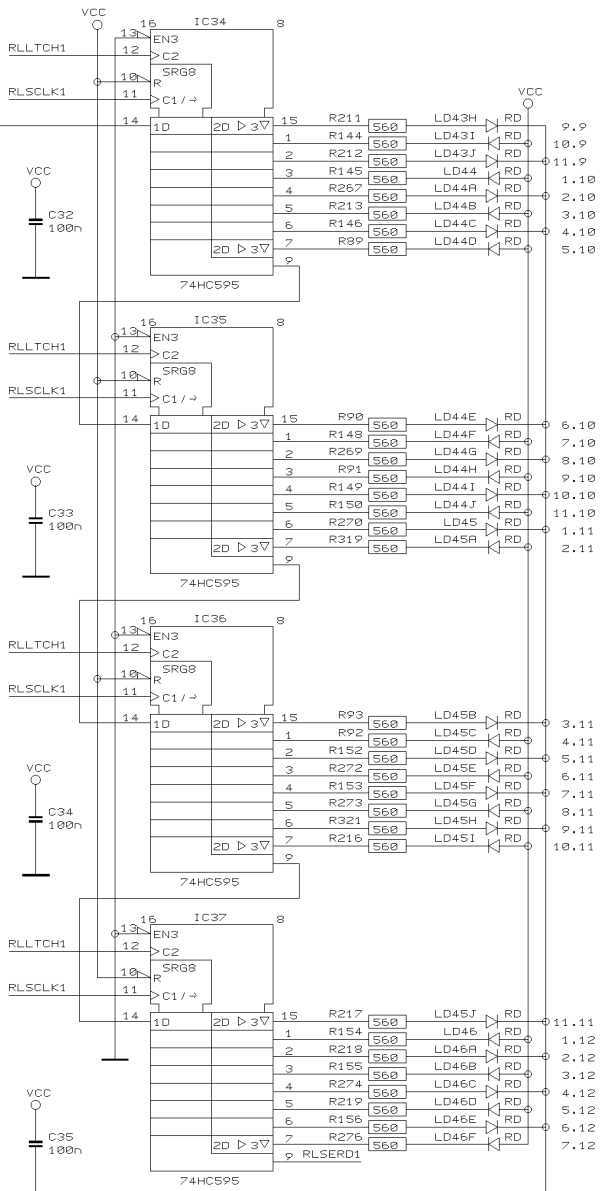
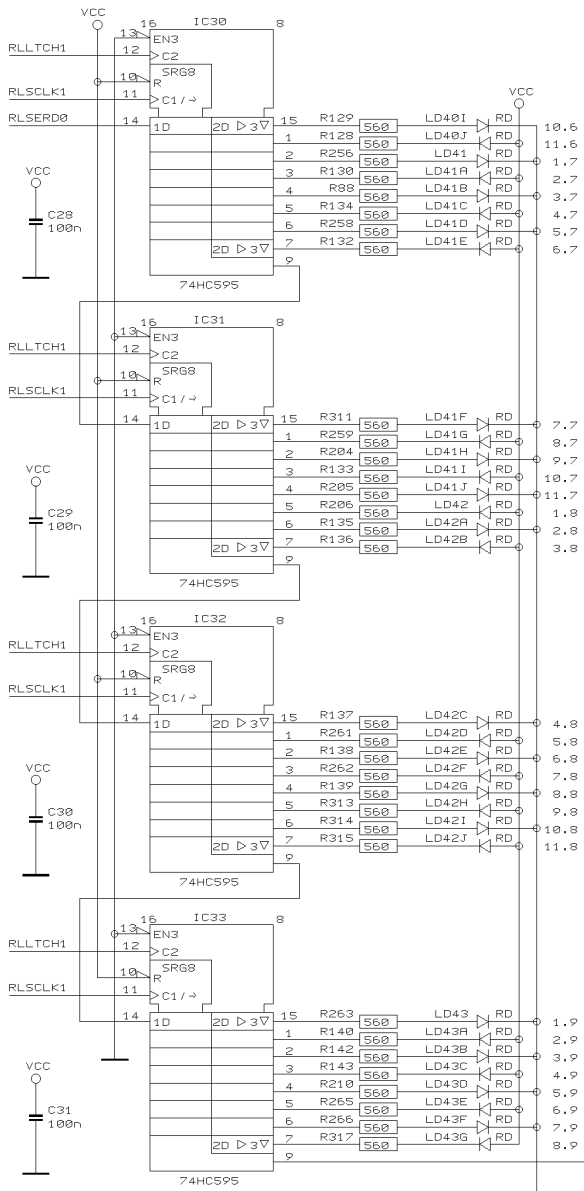
CTRL01

6.1 5.1 7.1 4.1 8.1 3.1 9.1 2.1 10.1 1.1 11.1	6.2 5.2 7.2 4.2 8.2 3.2 9.2 2.2 10.2 1.2 11.2	6.3 5.3 7.3 4.3 8.3 3.3 9.3 2.3 10.3 1.3 11.3	6.4 5.4 7.4 4.4 8.4 3.4 9.4 2.4 10.4 1.4 11.4		
CHAN 1	CHAN 2	CHAN 3	CHAN 4		
6.5 5.5 7.5 4.5 8.5 3.5 9.5 2.5 10.5 1.5 11.5	6.6 5.6 7.6 4.6 8.6 3.6 9.6 2.6 10.6 1.6 11.6	6.7 5.7 7.7 4.7 8.7 3.7 9.7 2.7 10.7 1.7 11.7	6.8 5.8 7.8 4.8 8.8 3.8 9.8 2.8 10.8 1.8 11.8		
CHAN 5	CHAN 6	CHAN 7	CHAN 8		
6.9 5.9 7.9 4.9 8.9 3.9 9.9 2.9 10.9 1.9 11.9	6.10 5.10 7.10 4.10 8.10 3.10 9.10 2.10 10.10 1.10 11.10	6.11 5.11 7.11 4.11 8.11 3.11 9.11 2.11 10.11 1.11 11.11	6.12 5.12 7.12 4.12 8.12 3.12 9.12 2.12 10.12 1.12 11.12		
CHAN 9	CHAN 10	CHAN 11	CHAN 12		
6.13 5.13 7.13 4.13 8.13 3.13 9.13 2.13 10.13 1.13 11.13	6.14 5.14 7.14 4.14 8.14 3.14 9.14 2.14 10.14 1.14 11.14	6.15 5.15 7.15 4.15 8.15 3.15 9.15 2.15 10.15 1.15 11.15	6.16 5.16 7.16 4.16 8.16 3.16 9.16 2.16 10.16 1.16 11.16		
CHAN 13	CHAN 14	CHAN 15	CHAN 16		
<table border="1"> <tr> <td>6.M 5.M 7.M 4.M 8.M 3.M 9.M 2.M 10.M 1.M 11.M</td> </tr> <tr> <td>MASTER</td> </tr> </table>				6.M 5.M 7.M 4.M 8.M 3.M 9.M 2.M 10.M 1.M 11.M	MASTER
6.M 5.M 7.M 4.M 8.M 3.M 9.M 2.M 10.M 1.M 11.M					
MASTER					

REVISIONS C
 DRAWN JC
 CHECKED
 DATE 02.04. 2 14:36



PROJECT CTRL01
 MODEL DDX3216
 ENC LEDS 1-6
 SHEET 8 OF 11 SHEETS TOTAL



CTRL01

6.1	7.1	8.1	9.1	10.1	11.1
4.1	5.1	6.1	7.1	8.1	9.1
3.1	4.1	5.1	6.1	7.1	8.1
2.1	3.1	4.1	5.1	6.1	7.1
1.1	2.1	3.1	4.1	5.1	6.1

CHAN 1 CHAN 2 CHAN 3 CHAN 4

6.5	7.5	8.5	9.5	10.5	11.5
4.5	5.5	6.5	7.5	8.5	9.5
3.5	4.5	5.5	6.5	7.5	8.5
2.5	3.5	4.5	5.5	6.5	7.5
1.5	2.5	3.5	4.5	5.5	6.5

CHAN 5 CHAN 6 CHAN 7 CHAN 8

6.9	7.9	8.9	9.9	10.9	11.9
4.9	5.9	6.9	7.9	8.9	9.9
3.9	4.9	5.9	6.9	7.9	8.9
2.9	3.9	4.9	5.9	6.9	7.9
1.9	2.9	3.9	4.9	5.9	6.9

CHAN 9 CHAN 10 CHAN 11 CHAN 12

6.13	7.13	8.13	9.13	10.13	11.13
4.13	5.13	6.13	7.13	8.13	9.13
3.13	4.13	5.13	6.13	7.13	8.13
2.13	3.13	4.13	5.13	6.13	7.13
1.13	2.13	3.13	4.13	5.13	6.13

CHAN 13 CHAN 14 CHAN 15 CHAN 16

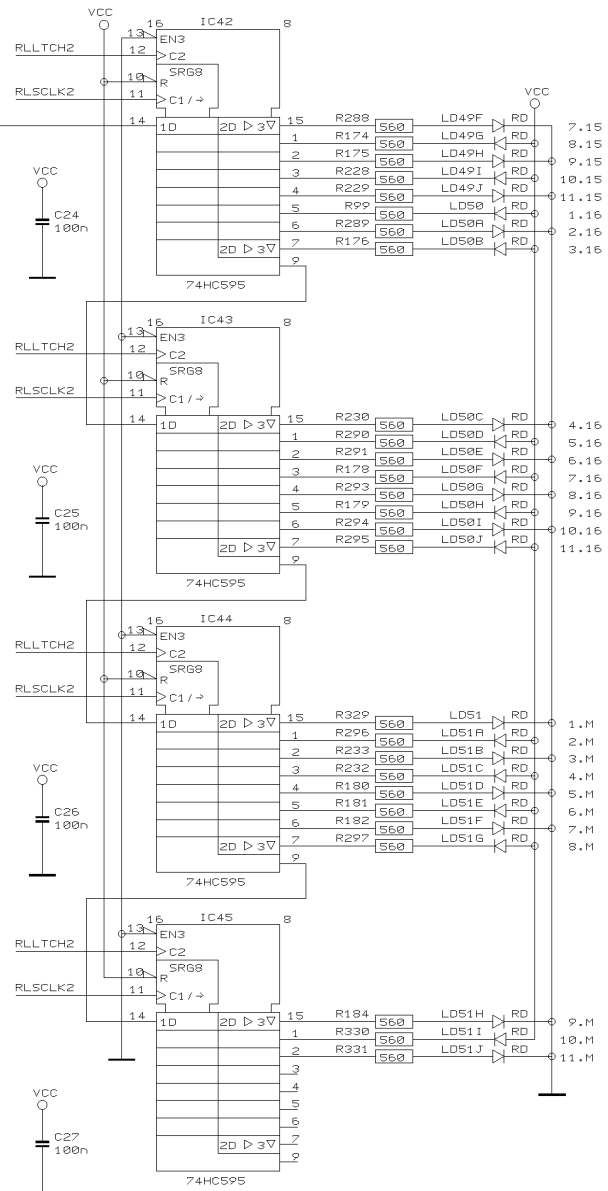
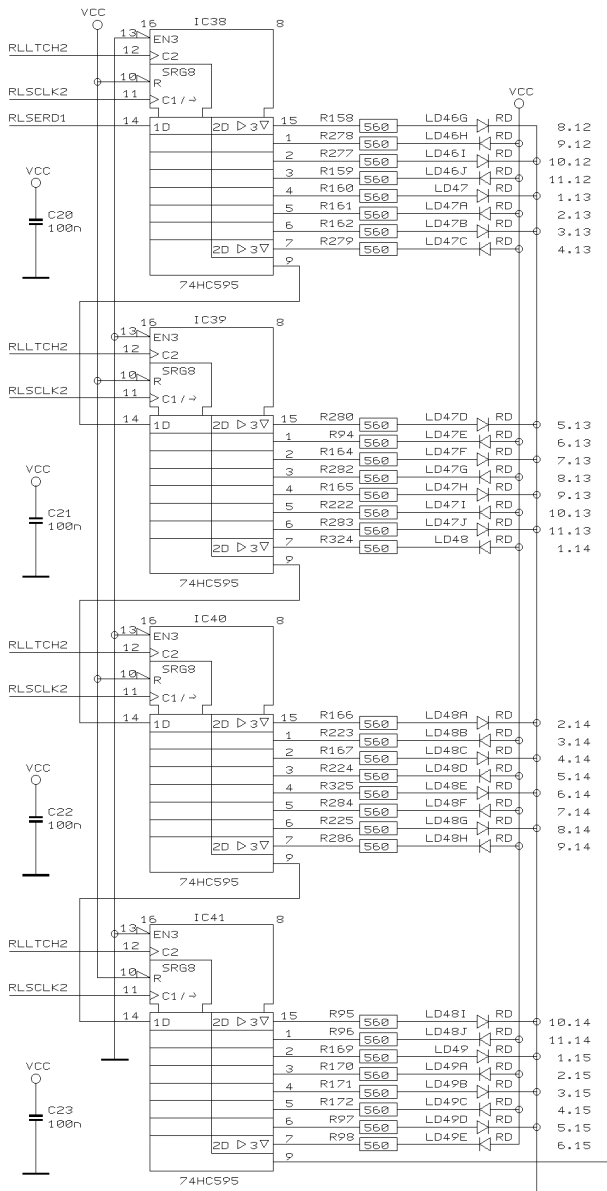
6.M	7.M	8.M	9.M	10.M	11.M
4.M	5.M	6.M	7.M	8.M	9.M
3.M	4.M	5.M	6.M	7.M	8.M
2.M	3.M	4.M	5.M	6.M	7.M
1.M	2.M	3.M	4.M	5.M	6.M

MASTER

REVISIONS	C	
DRAWN	JC	CHECKED
DATE	02.04. 2 14:36	



PROJECT
CTRL01
MODEL DDX3216
ENC LEDS 6-12
SHEET 9 OF 11 SHEETS TOTAL



CTRL01

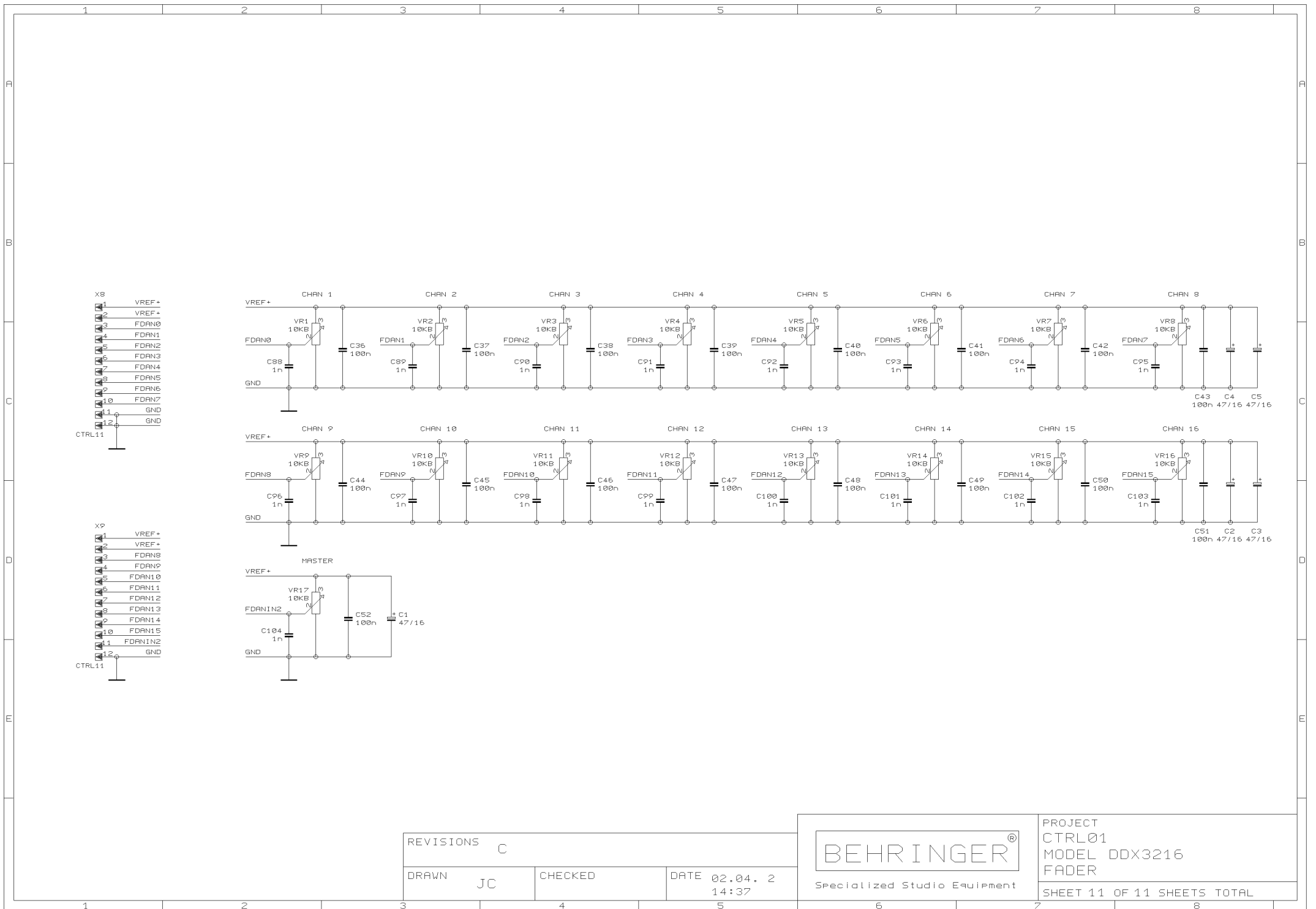
<table border="1"> <tr><td>6.1</td><td>7.1</td></tr> <tr><td>5.1</td><td>8.1</td></tr> <tr><td>4.1</td><td>9.1</td></tr> <tr><td>3.1</td><td>10.1</td></tr> <tr><td>2.1</td><td>11.1</td></tr> </table> <p>CHAN 1</p>	6.1	7.1	5.1	8.1	4.1	9.1	3.1	10.1	2.1	11.1	<table border="1"> <tr><td>6.2</td><td>7.2</td></tr> <tr><td>5.2</td><td>8.2</td></tr> <tr><td>4.2</td><td>9.2</td></tr> <tr><td>3.2</td><td>10.2</td></tr> <tr><td>2.2</td><td>11.2</td></tr> </table> <p>CHAN 2</p>	6.2	7.2	5.2	8.2	4.2	9.2	3.2	10.2	2.2	11.2	<table border="1"> <tr><td>6.3</td><td>7.3</td></tr> <tr><td>5.3</td><td>8.3</td></tr> <tr><td>4.3</td><td>9.3</td></tr> <tr><td>3.3</td><td>10.3</td></tr> <tr><td>2.3</td><td>11.3</td></tr> </table> <p>CHAN 3</p>	6.3	7.3	5.3	8.3	4.3	9.3	3.3	10.3	2.3	11.3	<table border="1"> <tr><td>6.4</td><td>7.4</td></tr> <tr><td>5.4</td><td>8.4</td></tr> <tr><td>4.4</td><td>9.4</td></tr> <tr><td>3.4</td><td>10.4</td></tr> <tr><td>2.4</td><td>11.4</td></tr> </table> <p>CHAN 4</p>	6.4	7.4	5.4	8.4	4.4	9.4	3.4	10.4	2.4	11.4
6.1	7.1																																										
5.1	8.1																																										
4.1	9.1																																										
3.1	10.1																																										
2.1	11.1																																										
6.2	7.2																																										
5.2	8.2																																										
4.2	9.2																																										
3.2	10.2																																										
2.2	11.2																																										
6.3	7.3																																										
5.3	8.3																																										
4.3	9.3																																										
3.3	10.3																																										
2.3	11.3																																										
6.4	7.4																																										
5.4	8.4																																										
4.4	9.4																																										
3.4	10.4																																										
2.4	11.4																																										
<table border="1"> <tr><td>6.5</td><td>7.5</td></tr> <tr><td>5.5</td><td>8.5</td></tr> <tr><td>4.5</td><td>9.5</td></tr> <tr><td>3.5</td><td>10.5</td></tr> <tr><td>2.5</td><td>11.5</td></tr> </table> <p>CHAN 5</p>	6.5	7.5	5.5	8.5	4.5	9.5	3.5	10.5	2.5	11.5	<table border="1"> <tr><td>6.6</td><td>7.6</td></tr> <tr><td>5.6</td><td>8.6</td></tr> <tr><td>4.6</td><td>9.6</td></tr> <tr><td>3.6</td><td>10.6</td></tr> <tr><td>2.6</td><td>11.6</td></tr> </table> <p>CHAN 6</p>	6.6	7.6	5.6	8.6	4.6	9.6	3.6	10.6	2.6	11.6	<table border="1"> <tr><td>6.7</td><td>7.7</td></tr> <tr><td>5.7</td><td>8.7</td></tr> <tr><td>4.7</td><td>9.7</td></tr> <tr><td>3.7</td><td>10.7</td></tr> <tr><td>2.7</td><td>11.7</td></tr> </table> <p>CHAN 7</p>	6.7	7.7	5.7	8.7	4.7	9.7	3.7	10.7	2.7	11.7	<table border="1"> <tr><td>6.8</td><td>7.8</td></tr> <tr><td>5.8</td><td>8.8</td></tr> <tr><td>4.8</td><td>9.8</td></tr> <tr><td>3.8</td><td>10.8</td></tr> <tr><td>2.8</td><td>11.8</td></tr> </table> <p>CHAN 8</p>	6.8	7.8	5.8	8.8	4.8	9.8	3.8	10.8	2.8	11.8
6.5	7.5																																										
5.5	8.5																																										
4.5	9.5																																										
3.5	10.5																																										
2.5	11.5																																										
6.6	7.6																																										
5.6	8.6																																										
4.6	9.6																																										
3.6	10.6																																										
2.6	11.6																																										
6.7	7.7																																										
5.7	8.7																																										
4.7	9.7																																										
3.7	10.7																																										
2.7	11.7																																										
6.8	7.8																																										
5.8	8.8																																										
4.8	9.8																																										
3.8	10.8																																										
2.8	11.8																																										
<table border="1"> <tr><td>6.9</td><td>7.9</td></tr> <tr><td>5.9</td><td>8.9</td></tr> <tr><td>4.9</td><td>9.9</td></tr> <tr><td>3.9</td><td>10.9</td></tr> <tr><td>2.9</td><td>11.9</td></tr> </table> <p>CHAN 9</p>	6.9	7.9	5.9	8.9	4.9	9.9	3.9	10.9	2.9	11.9	<table border="1"> <tr><td>6.10</td><td>7.10</td></tr> <tr><td>5.10</td><td>8.10</td></tr> <tr><td>4.10</td><td>9.10</td></tr> <tr><td>3.10</td><td>10.10</td></tr> <tr><td>2.10</td><td>11.10</td></tr> </table> <p>CHAN 10</p>	6.10	7.10	5.10	8.10	4.10	9.10	3.10	10.10	2.10	11.10	<table border="1"> <tr><td>6.11</td><td>7.11</td></tr> <tr><td>5.11</td><td>8.11</td></tr> <tr><td>4.11</td><td>9.11</td></tr> <tr><td>3.11</td><td>10.11</td></tr> <tr><td>2.11</td><td>11.11</td></tr> </table> <p>CHAN 11</p>	6.11	7.11	5.11	8.11	4.11	9.11	3.11	10.11	2.11	11.11	<table border="1"> <tr><td>6.12</td><td>7.12</td></tr> <tr><td>5.12</td><td>8.12</td></tr> <tr><td>4.12</td><td>9.12</td></tr> <tr><td>3.12</td><td>10.12</td></tr> <tr><td>2.12</td><td>11.12</td></tr> </table> <p>CHAN 12</p>	6.12	7.12	5.12	8.12	4.12	9.12	3.12	10.12	2.12	11.12
6.9	7.9																																										
5.9	8.9																																										
4.9	9.9																																										
3.9	10.9																																										
2.9	11.9																																										
6.10	7.10																																										
5.10	8.10																																										
4.10	9.10																																										
3.10	10.10																																										
2.10	11.10																																										
6.11	7.11																																										
5.11	8.11																																										
4.11	9.11																																										
3.11	10.11																																										
2.11	11.11																																										
6.12	7.12																																										
5.12	8.12																																										
4.12	9.12																																										
3.12	10.12																																										
2.12	11.12																																										
<table border="1"> <tr><td>6.13</td><td>7.13</td></tr> <tr><td>5.13</td><td>8.13</td></tr> <tr><td>4.13</td><td>9.13</td></tr> <tr><td>3.13</td><td>10.13</td></tr> <tr><td>2.13</td><td>11.13</td></tr> </table> <p>CHAN 13</p>	6.13	7.13	5.13	8.13	4.13	9.13	3.13	10.13	2.13	11.13	<table border="1"> <tr><td>6.14</td><td>7.14</td></tr> <tr><td>5.14</td><td>8.14</td></tr> <tr><td>4.14</td><td>9.14</td></tr> <tr><td>3.14</td><td>10.14</td></tr> <tr><td>2.14</td><td>11.14</td></tr> </table> <p>CHAN 14</p>	6.14	7.14	5.14	8.14	4.14	9.14	3.14	10.14	2.14	11.14	<table border="1"> <tr><td>6.15</td><td>7.15</td></tr> <tr><td>5.15</td><td>8.15</td></tr> <tr><td>4.15</td><td>9.15</td></tr> <tr><td>3.15</td><td>10.15</td></tr> <tr><td>2.15</td><td>11.15</td></tr> </table> <p>CHAN 15</p>	6.15	7.15	5.15	8.15	4.15	9.15	3.15	10.15	2.15	11.15	<table border="1"> <tr><td>6.16</td><td>7.16</td></tr> <tr><td>5.16</td><td>8.16</td></tr> <tr><td>4.16</td><td>9.16</td></tr> <tr><td>3.16</td><td>10.16</td></tr> <tr><td>2.16</td><td>11.16</td></tr> </table> <p>CHAN 16</p>	6.16	7.16	5.16	8.16	4.16	9.16	3.16	10.16	2.16	11.16
6.13	7.13																																										
5.13	8.13																																										
4.13	9.13																																										
3.13	10.13																																										
2.13	11.13																																										
6.14	7.14																																										
5.14	8.14																																										
4.14	9.14																																										
3.14	10.14																																										
2.14	11.14																																										
6.15	7.15																																										
5.15	8.15																																										
4.15	9.15																																										
3.15	10.15																																										
2.15	11.15																																										
6.16	7.16																																										
5.16	8.16																																										
4.16	9.16																																										
3.16	10.16																																										
2.16	11.16																																										

MASTER

REVISIONS	C		
DRAWN	JC	CHECKED	DATE 02.04. 2 14:37



PROJECT
CTRL01
MODEL DDX3216
ENC LEDS 12-16/M
SHEET 10 OF 11 SHEETS TOTAL



REVISIONS C

DRAWN JC

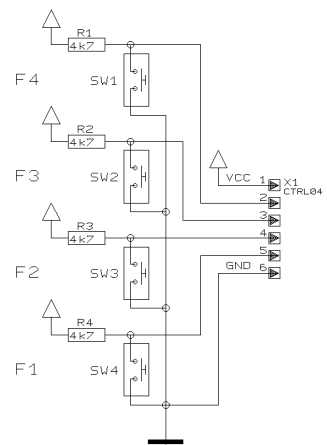
CHECKED

DATE 02.04. 2
14:37



PROJECT
CTRL01
MODEL DDX3216
FADER

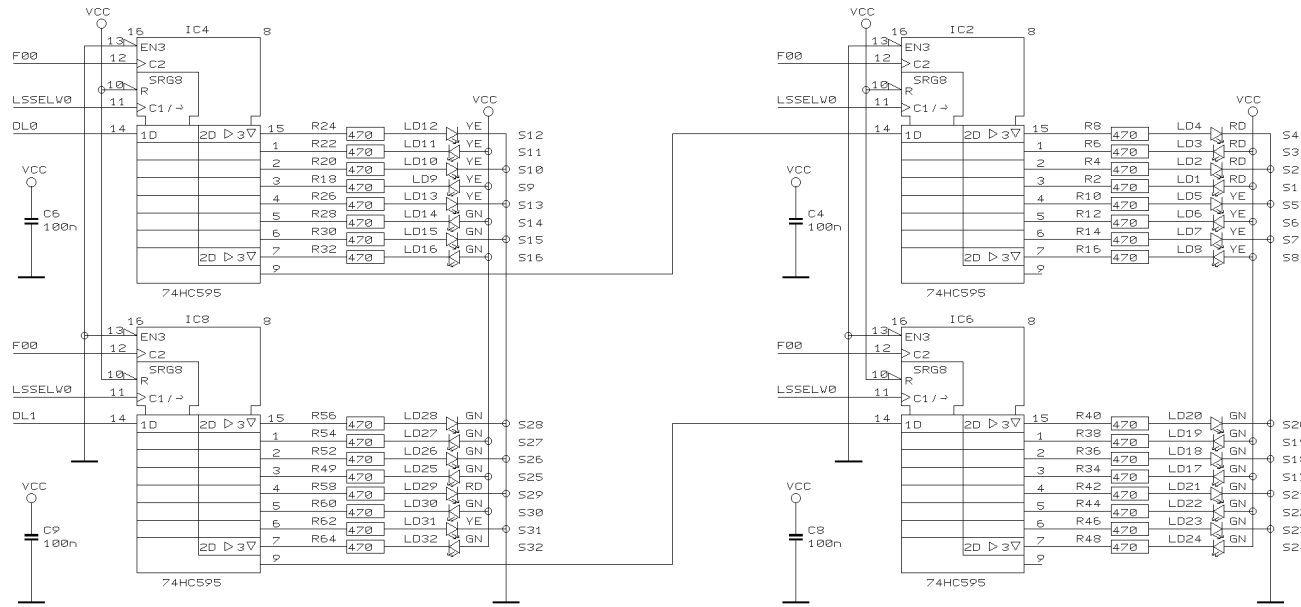
SHEET 11 OF 11 SHEETS TOTAL



REVISIONS		C
DRAWN	JK	CHECKED
DATE		02.04. 2
		14:30

BEHRINGER[®]
Specialized Studio Equipment

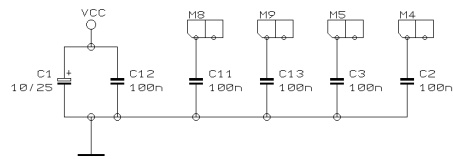
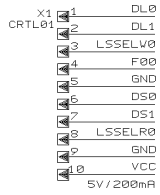
PROJECT
CTRL02
MODEL DDX3216
FUNCTION TASTEN
SHEET 1 OF 1 SHEETS TOTAL



CTRL03



8X4 SWITCH BLOCK



REVISIONS C (301199)

DRAWN JK

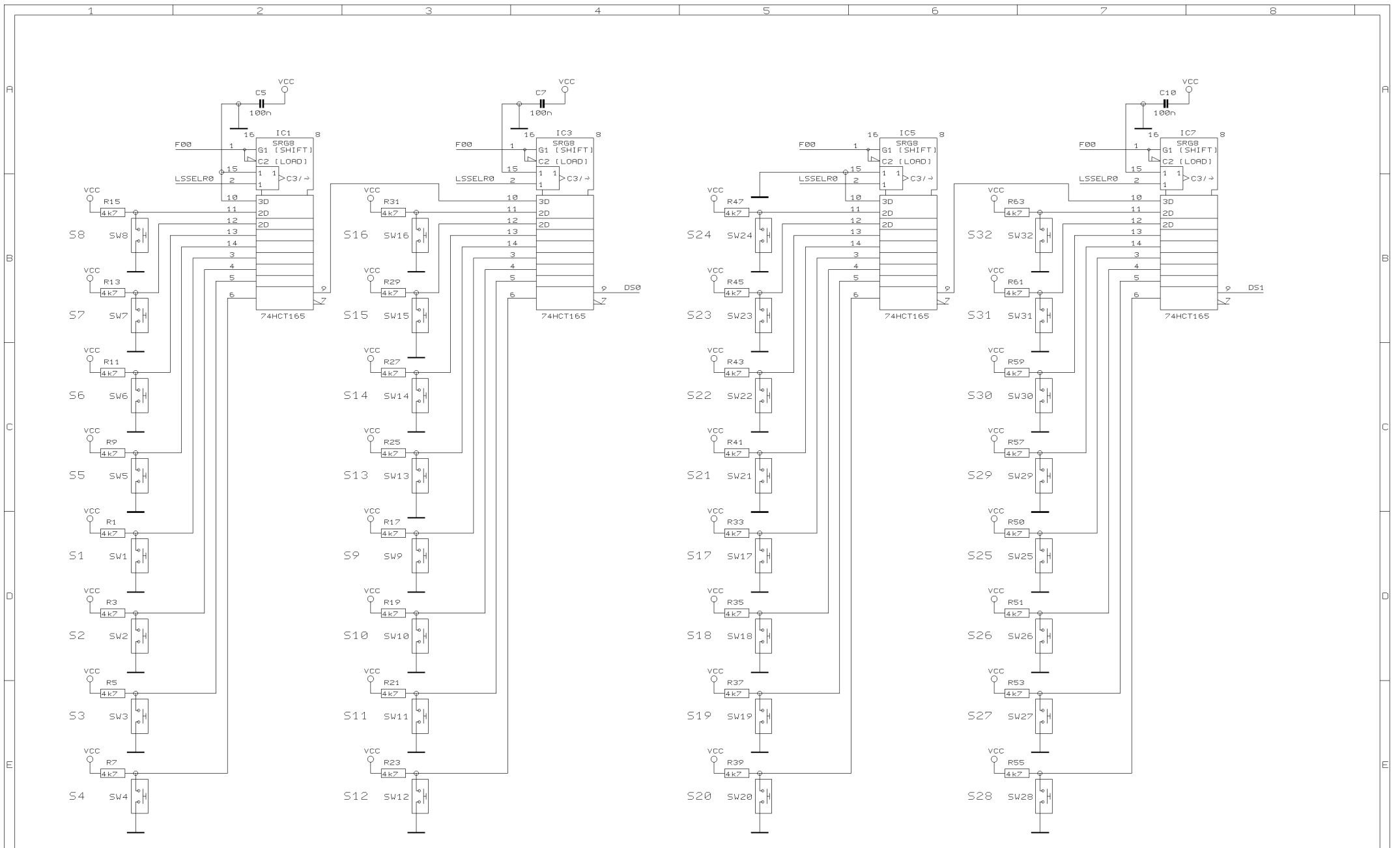
CHECKED

DATE 02.04. 2
14:23

BEHRINGER[®]
Specialized Studio Equipment

PROJECT
CTRL03
MODEL DDX3216
SWITCH BLOCK 8x4

SHEET 1 OF 2 SHEETS TOTAL



REVISIONS C

DRAWN

JK

CHECKED

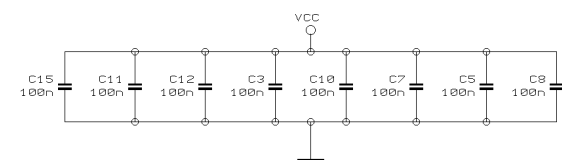
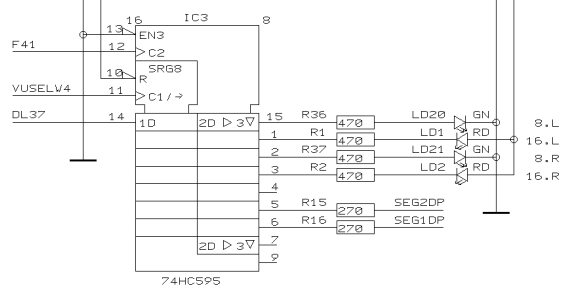
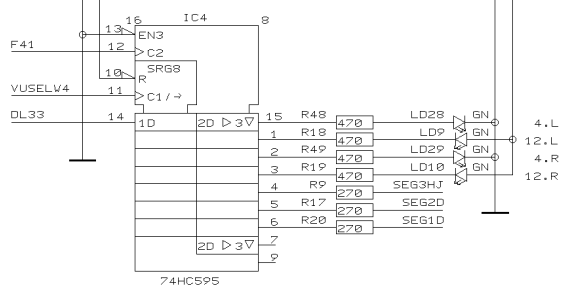
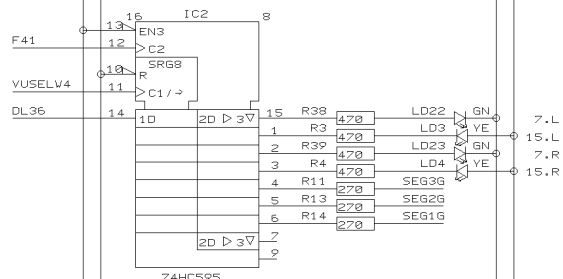
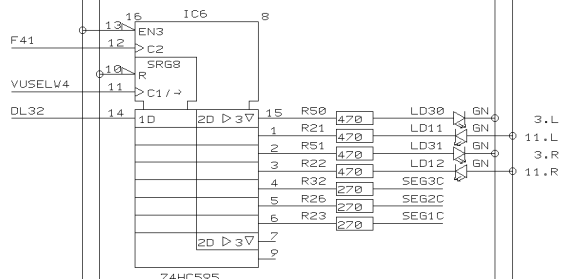
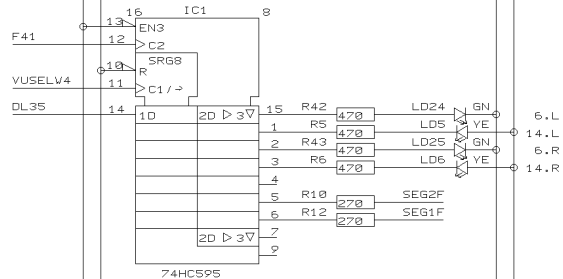
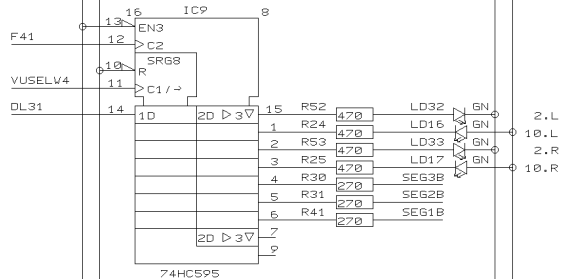
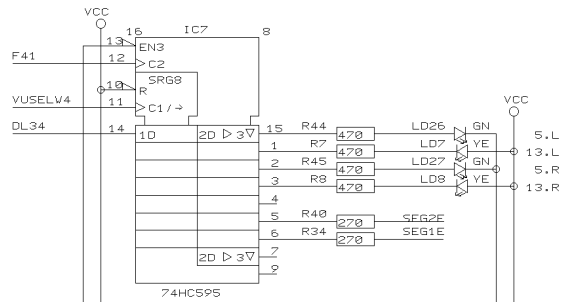
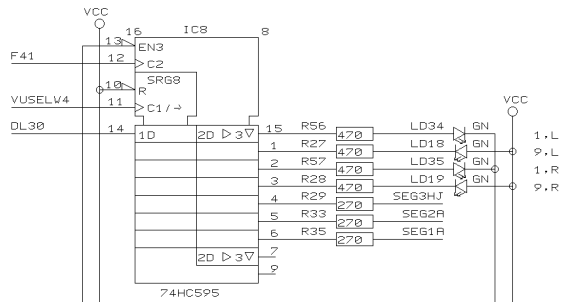
DATE 02.04. 2
14:24

BEHRINGER®

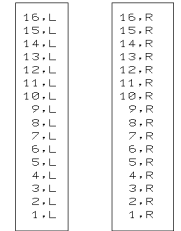
Specialized Studio Equipment

PROJECT
CTRL03
MODEL DDX3216
SWITCH BLOCK 8X4

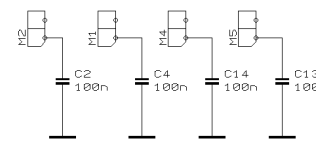
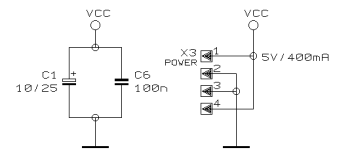
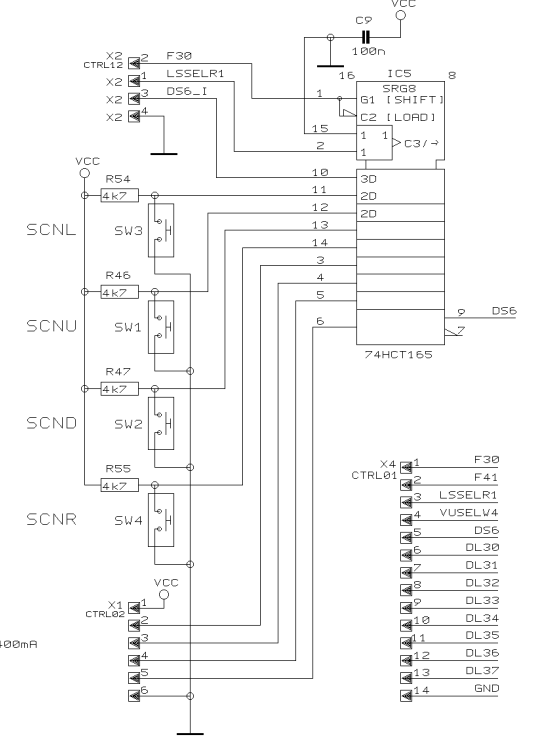
SHEET 2 OF 2 SHEETS TOTAL



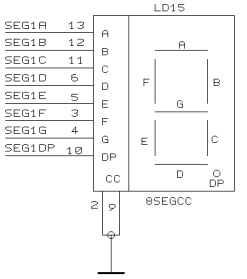
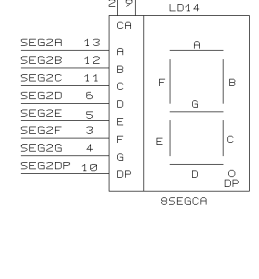
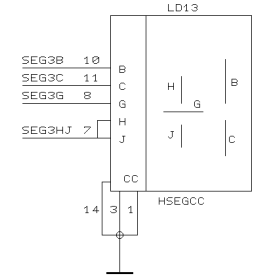
CTRL04



LEFT RIGHT



7 SEGMENT 2,5 DIGIT



REVISIONS C

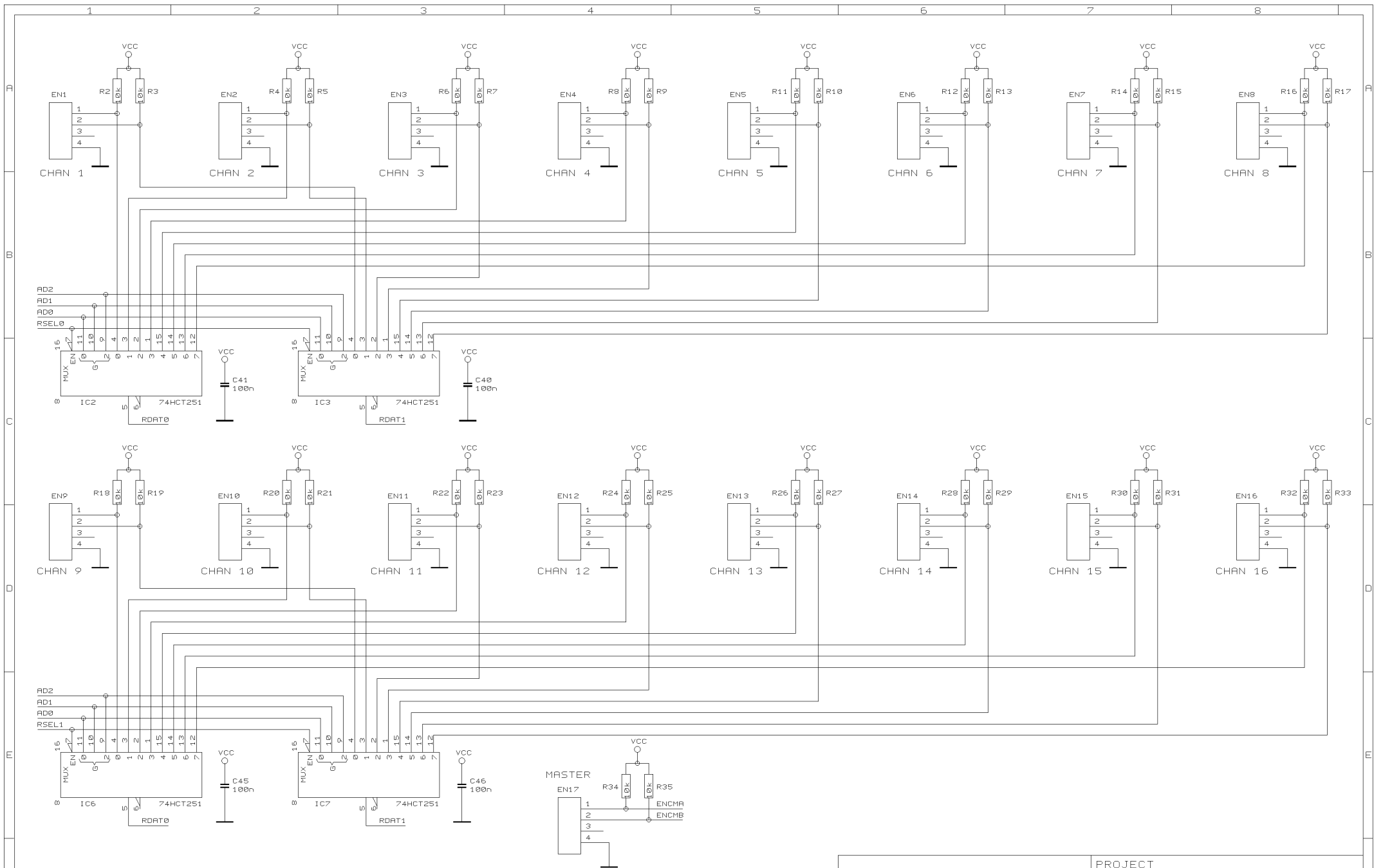
DRAWN JK

CHECKED

DATE 02.04. 2
14:13



PROJECT
CTRL04
MODEL DDX3216
SWITCH SCENE/MASTER VU
SHEET 1 OF 1 SHEETS TOTAL



REVISIONS D

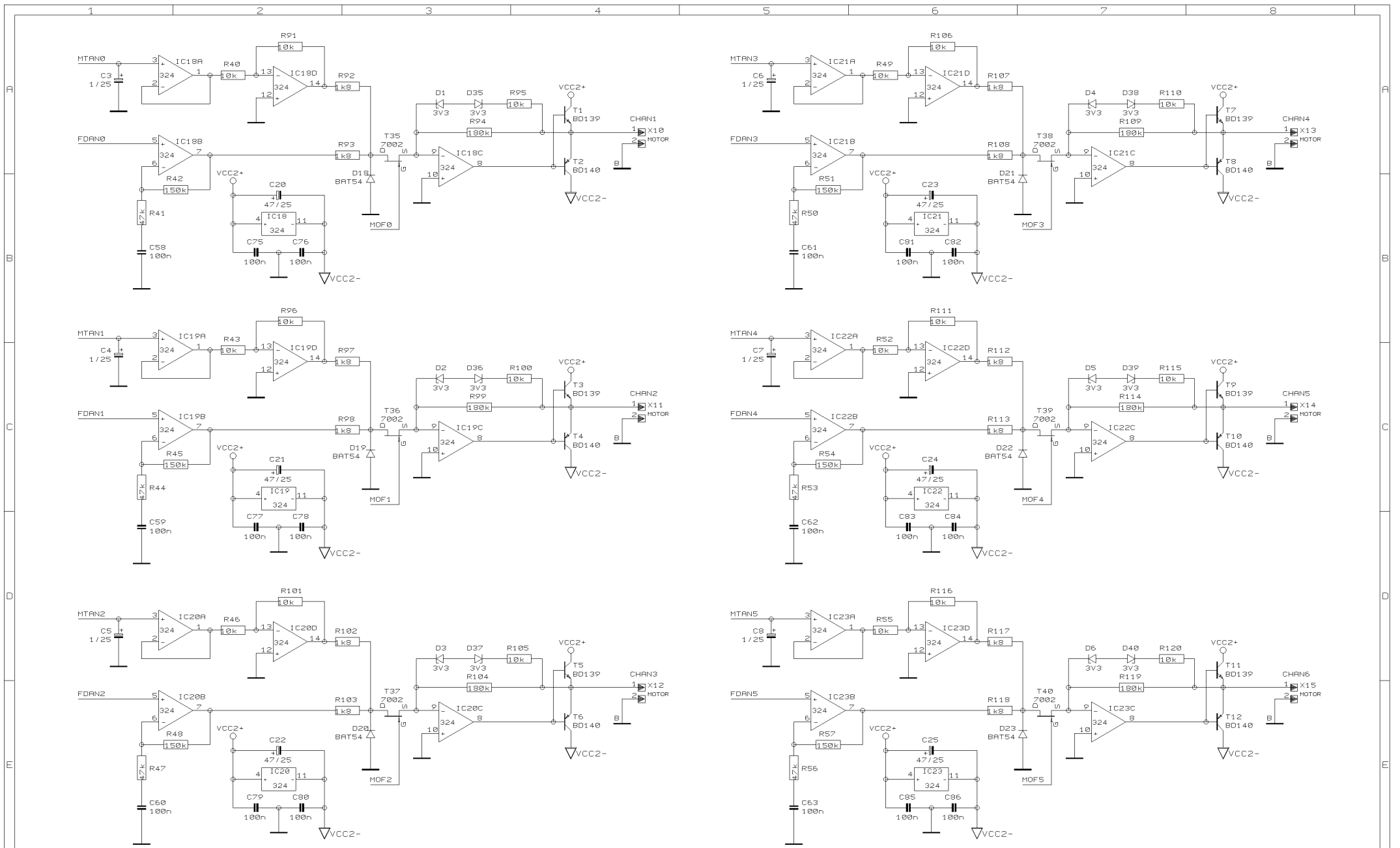
DRAWN JC

CHECKED

DATE 02.04. 2
13:58



PROJECT
CTRL11
MODEL DDX3216
ENCODERS CHAN 1-16/M
SHEET 2 OF 5 SHEETS TOTAL



REVISIONS D

DRAWN JC

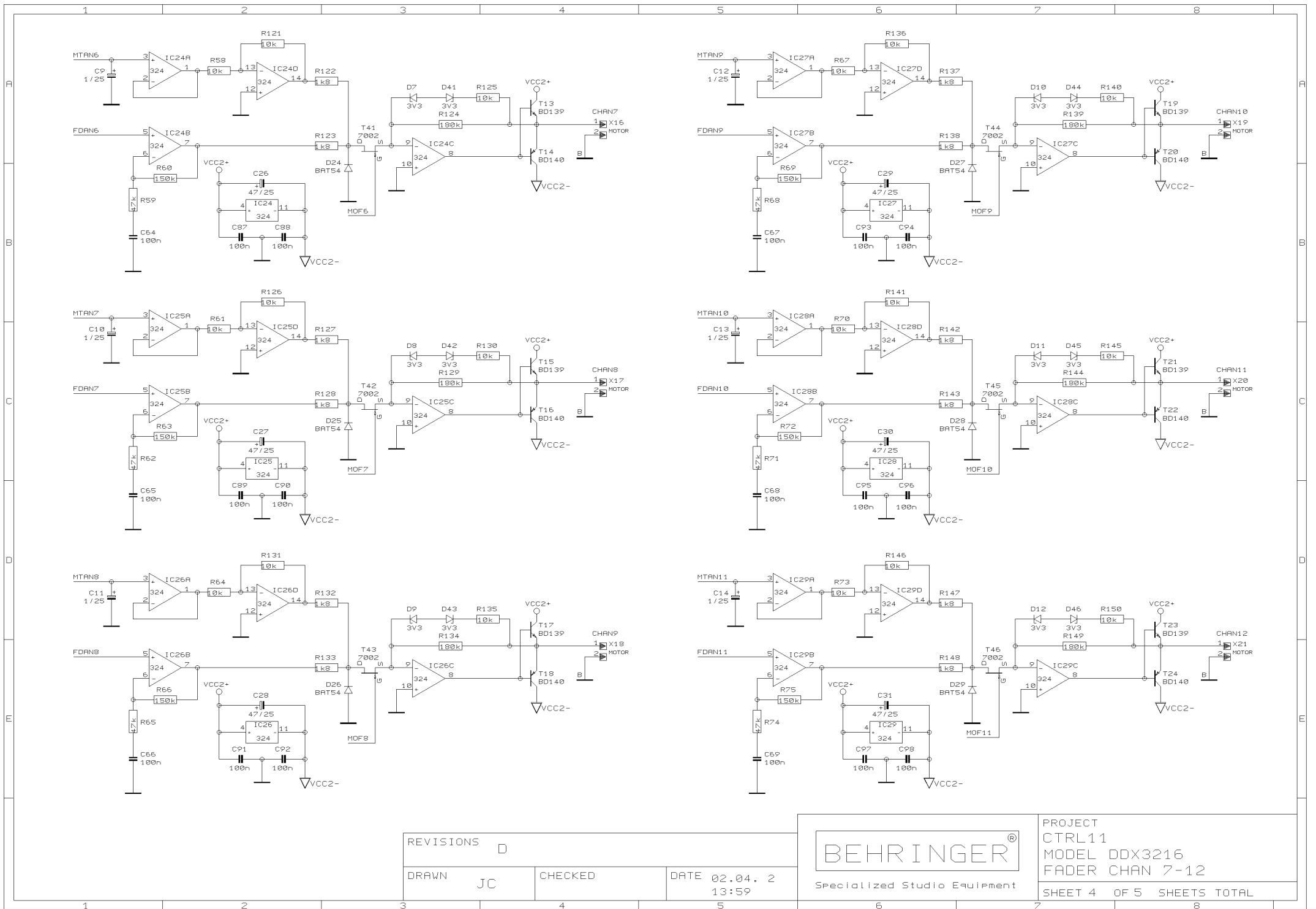
CHECKED

DATE 02.04. 2
13:59



PROJECT
CTRL11
MODEL DDX3216
FADER CHAN 1-6

SHEET 3 OF 5 SHEETS TOTAL



REVISIONS D

DRAWN JC

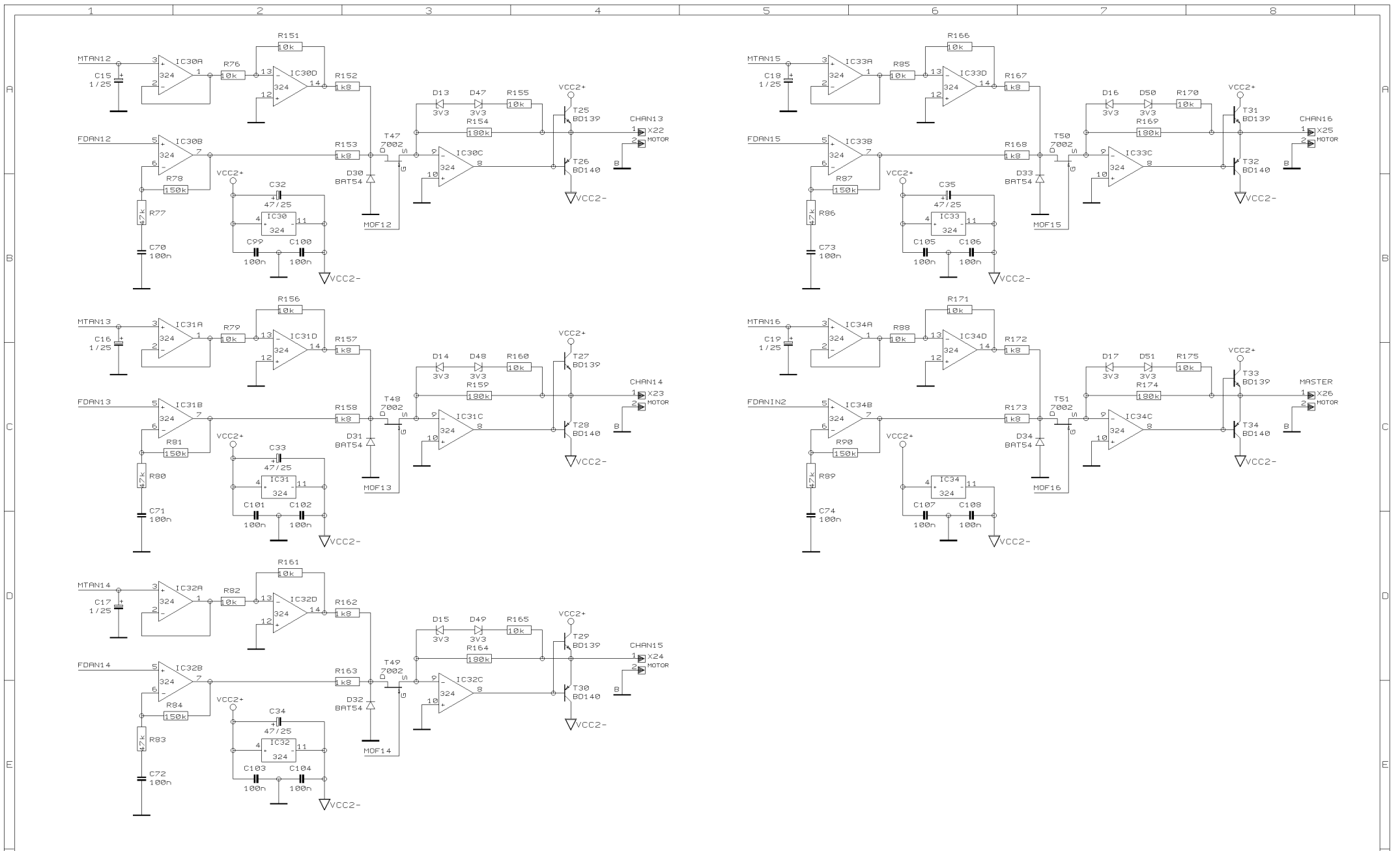
CHECKED

DATE 02.04. 2
13:59



PROJECT
CTRL11
MODEL DDX3216
FADER CHAN 7-12

SHEET 4 OF 5 SHEETS TOTAL



REVISIONS D

DRAWN JC

CHECKED

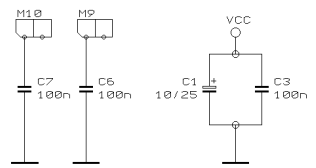
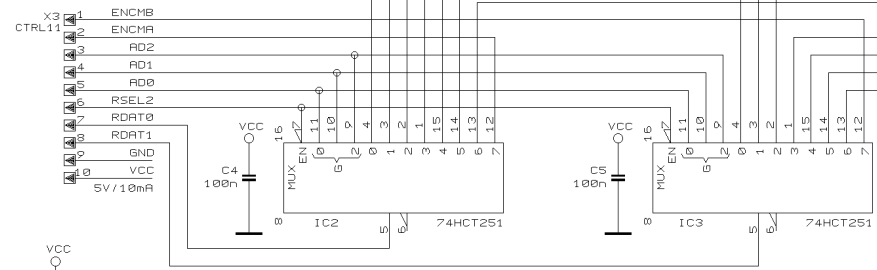
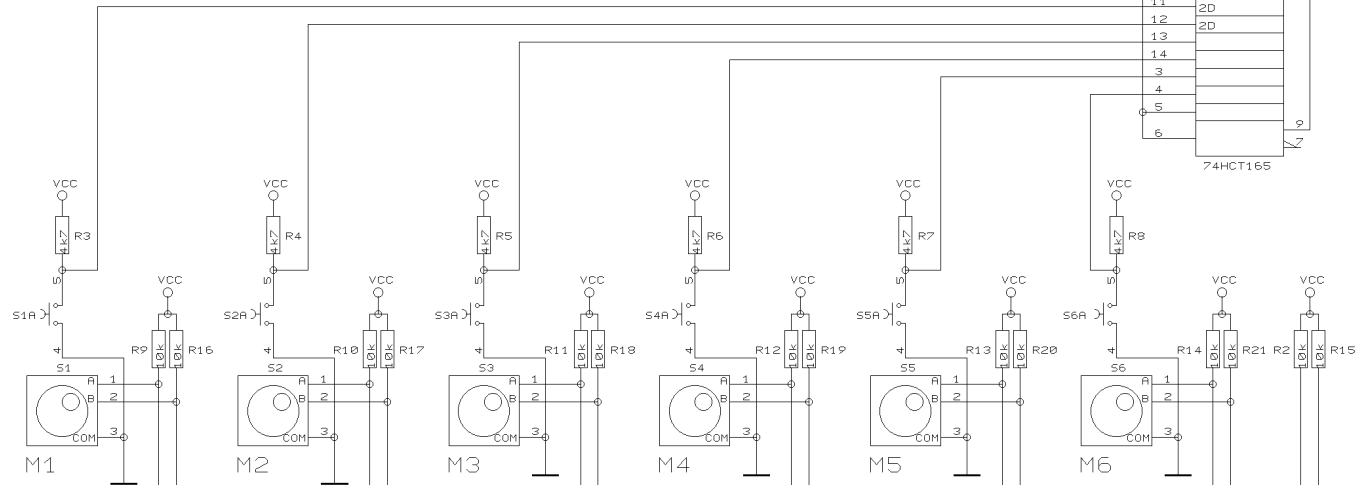
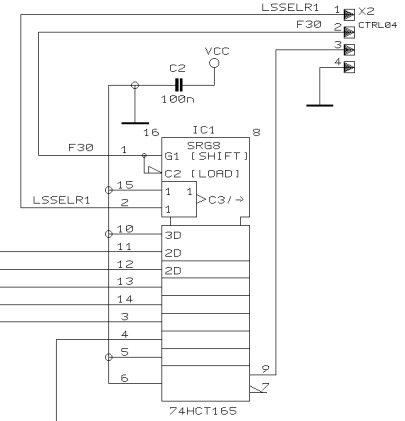
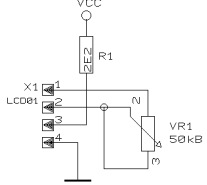
DATE 02.04. 2
14:00



PROJECT
CTRL11
MODEL DDX3216
FADER 13-16/M

SHEET 5 OF 5 SHEETS TOTAL

LCD CONTRAST

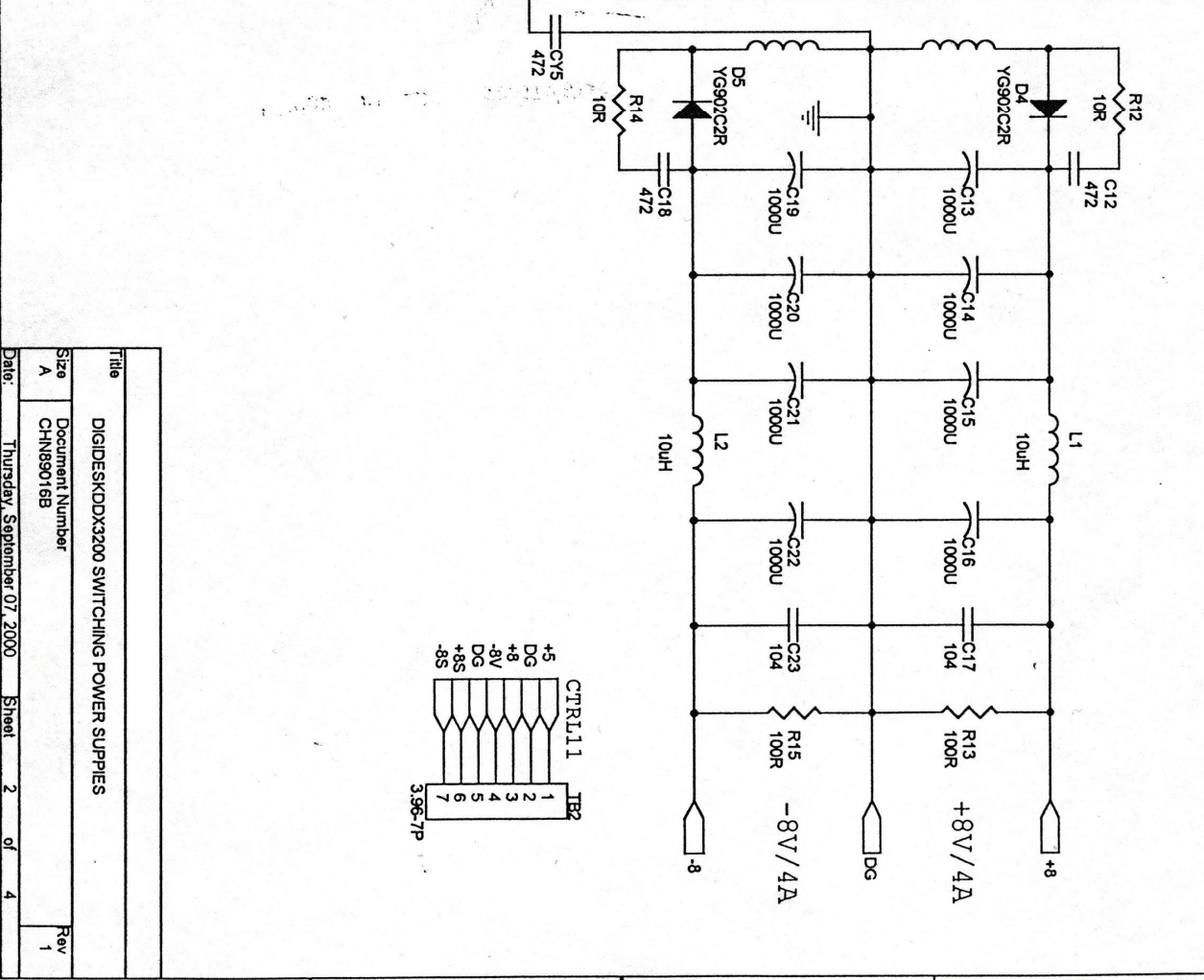
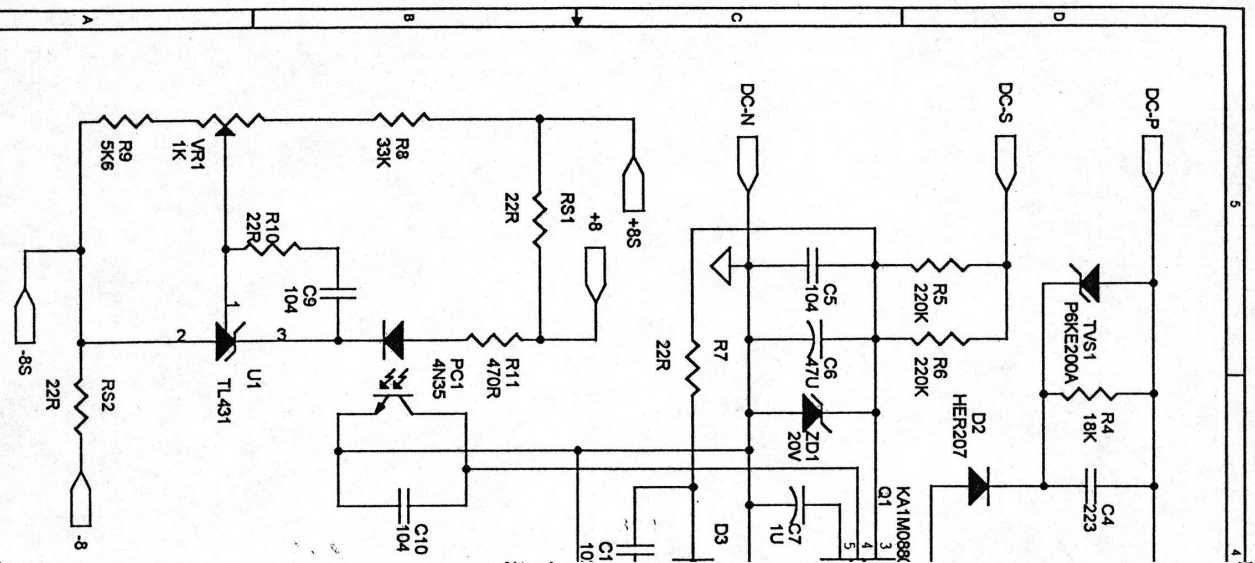


REVISIONS D (120500)

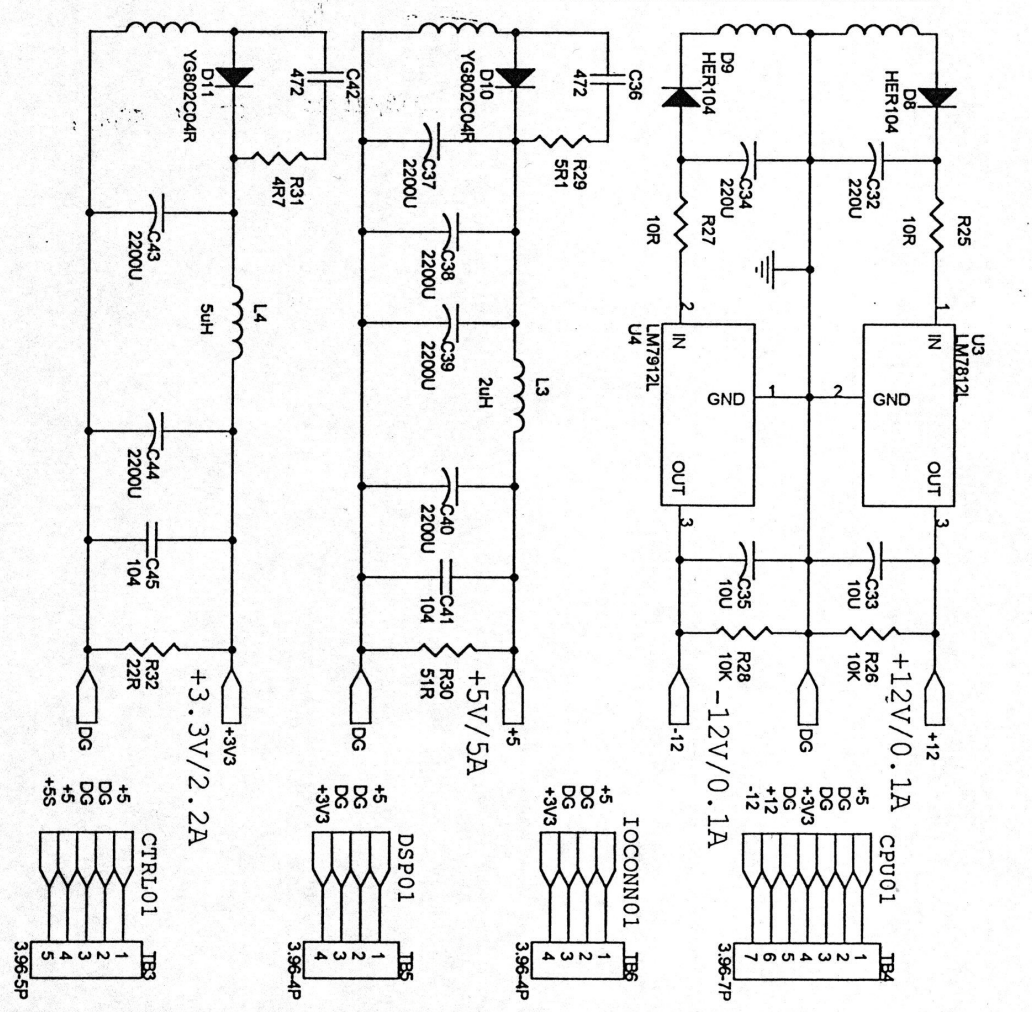
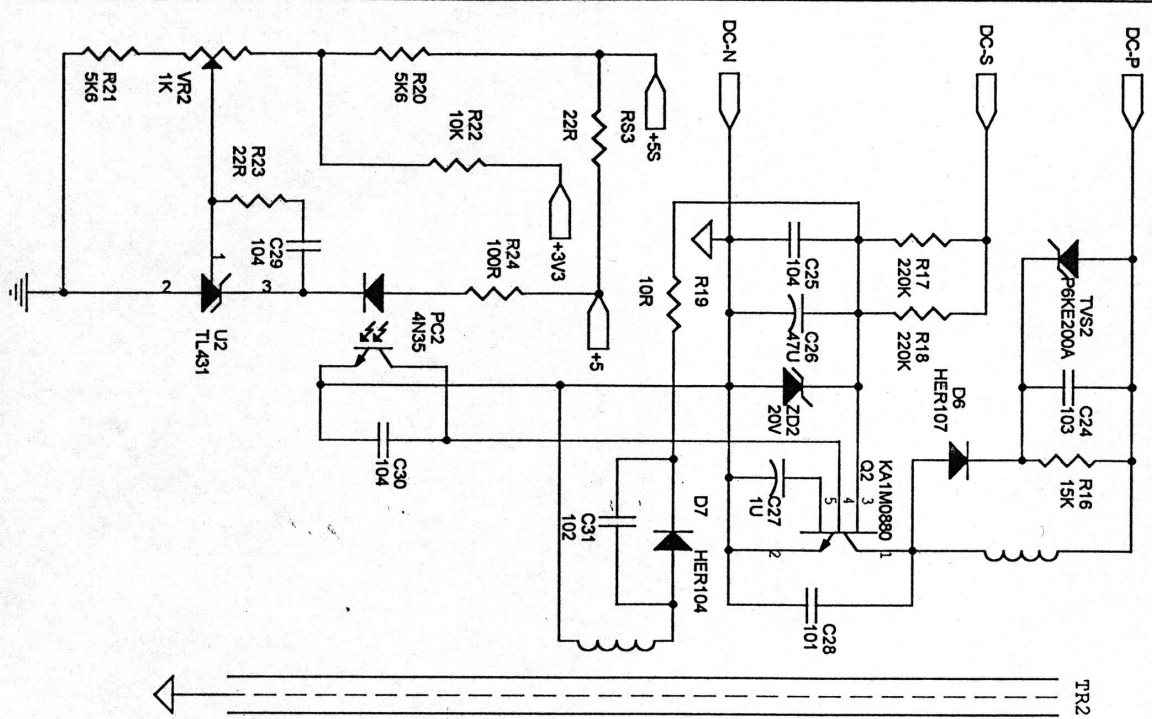
DRAWN JK CHECKED DATE 02.04. 2 13:54



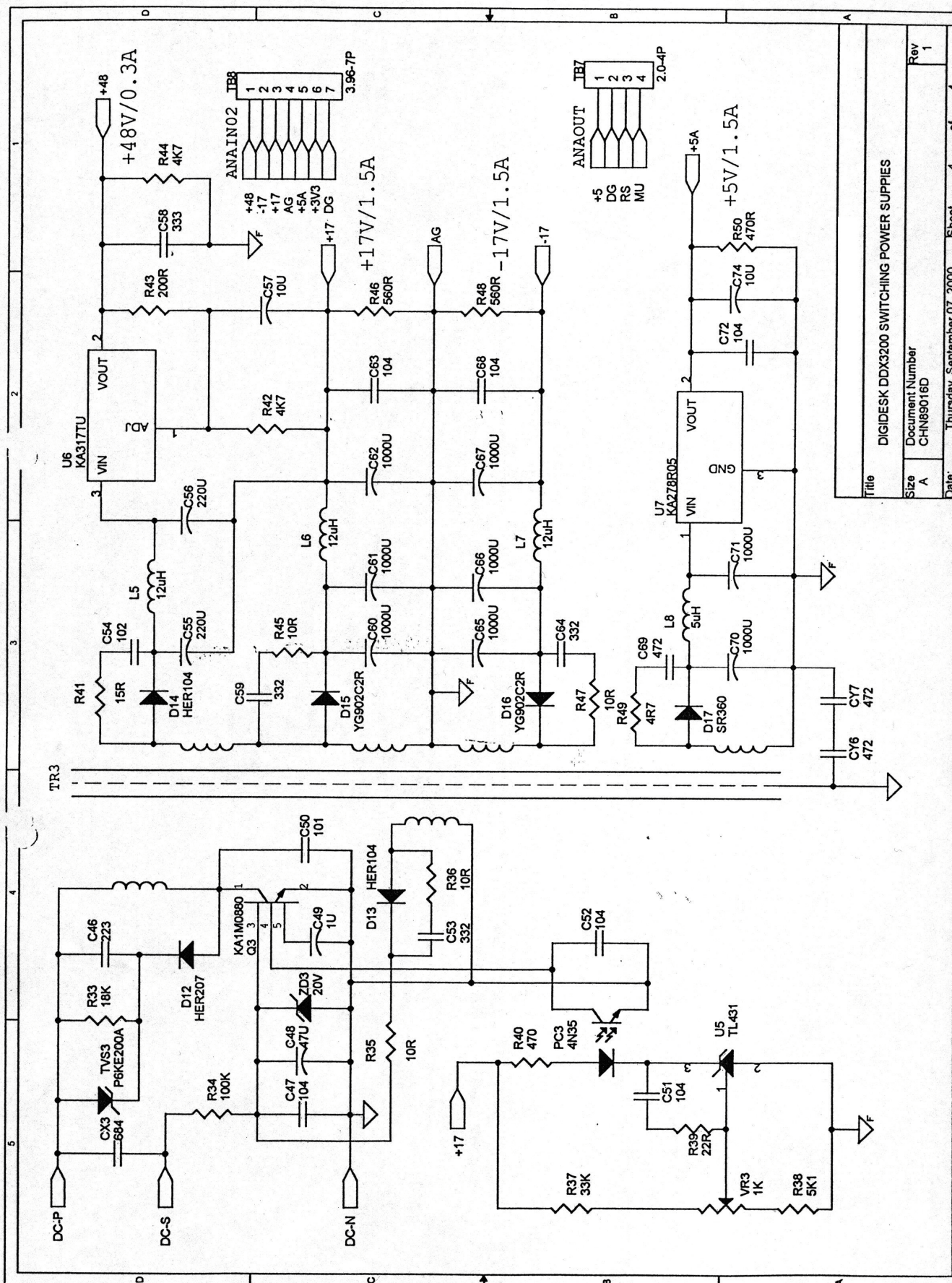
PROJECT CTRL12
 MODEL DDX3216
 MASTER ENCODER
 SHEET 1 OF 1 SHEETS TOTAL



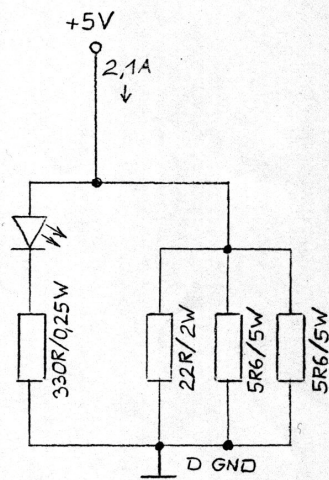
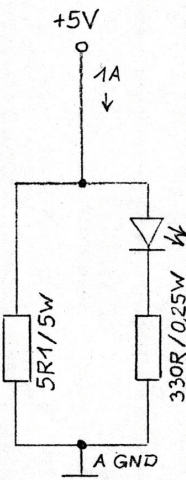
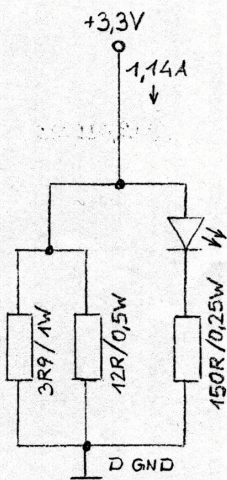
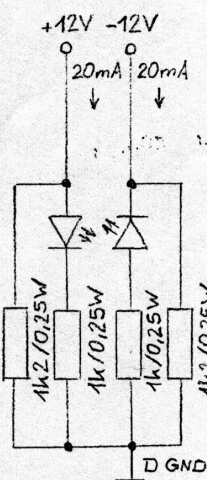
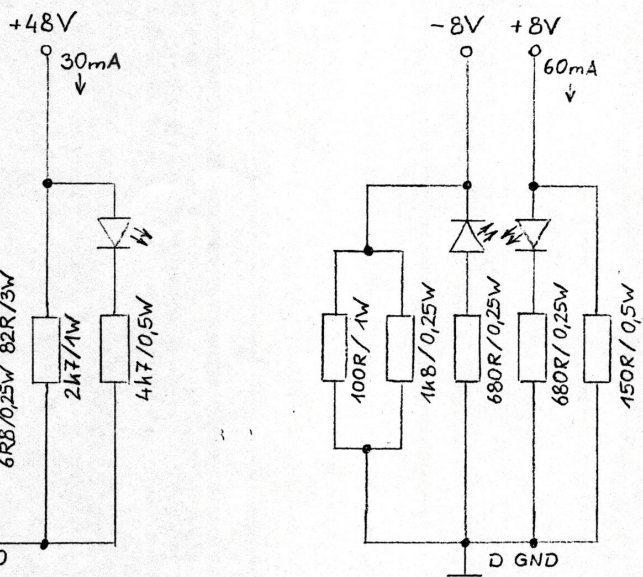
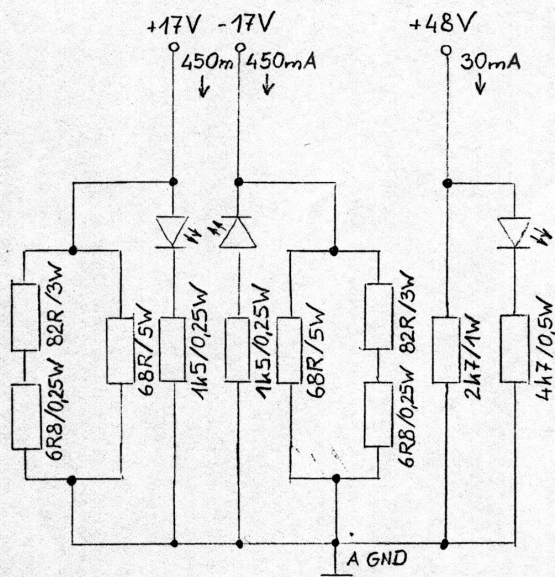
Title		DIGIDESKDDX3200 SWITCHING POWER SUPPLIES	
Document Number		CHN89016B	
Size	A	Sheet	2 of 4
Date:	Thursday, September 07, 2000	Rev	1



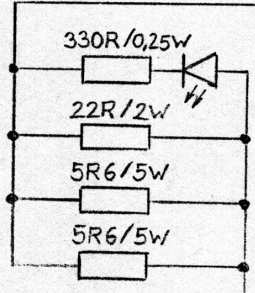
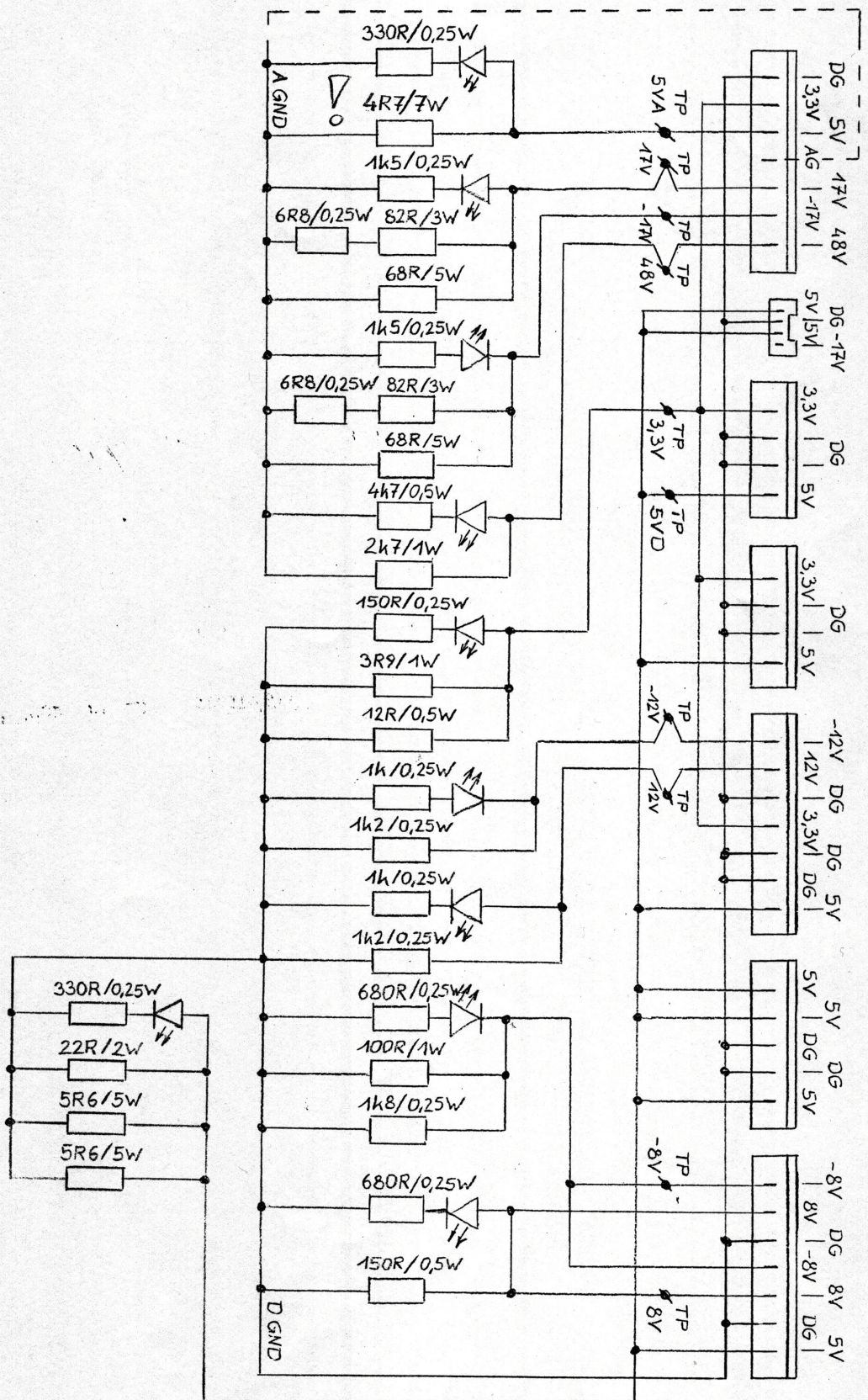
Title		DIGIDESK DDX3200 SWITCHING POWER SUPPLIES	
Size	Document Number	Rev	
A	CHN89016C	1	
Date:	Thursday, September 07, 2000	Sheet	3 of 4



Title		DIGIDESK DDX3200 SWITCHING POWER SUPPLIES	
Size	Document Number	CHN89016D	
A	Rev	1	
Date:	Thursday, September 07, 2000	Sheet	4 of 4



DDX 3216 Lastwiderstände für PSU



-8V | DG | 8V | 5V
8V	-8V	DG	

470 mA
 60 mA
 90 mA
 2 mA

5V | DG | 5V
DG	5V		

21 mA
 20 mA
 20 mA

-12V | DG | DG | 5V
12V	3,3V	DG	

190 mA
 121 mA
 20 mA
 20 mA

DG | 5V
3,3V			

0,47 mA
 950 mA

DG | 5V
3,3V			

90 mA
 10 mA

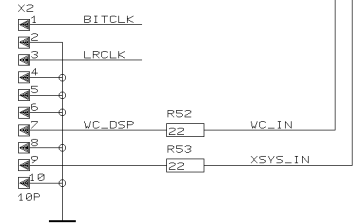
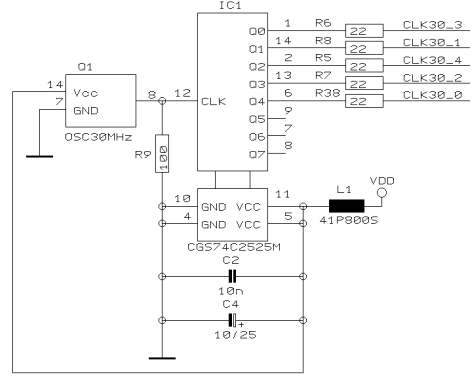
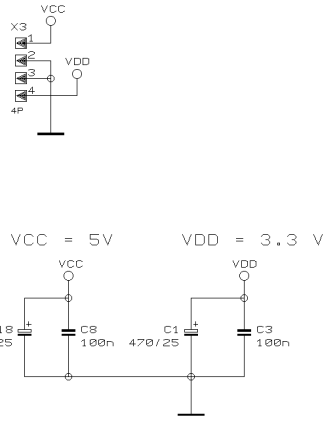
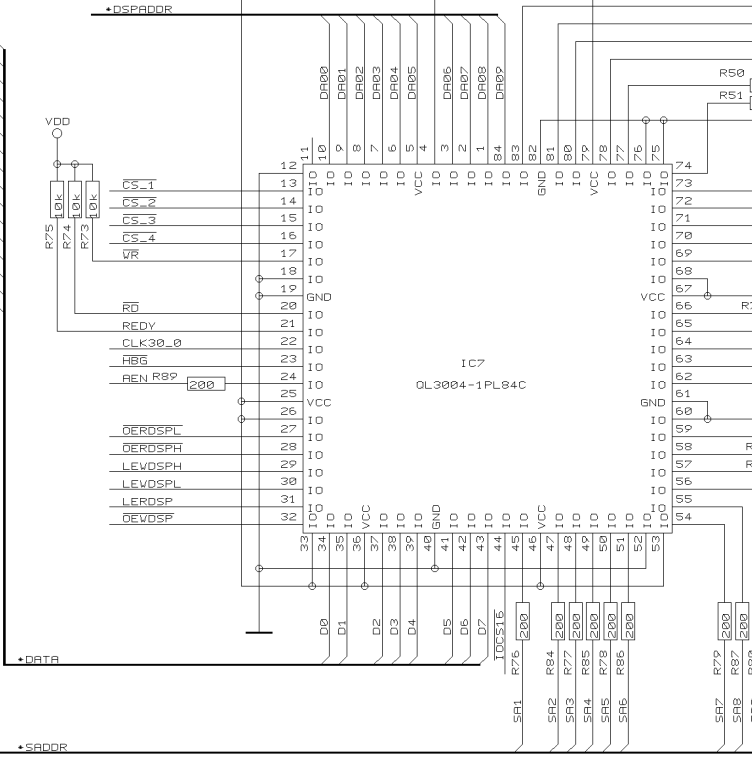
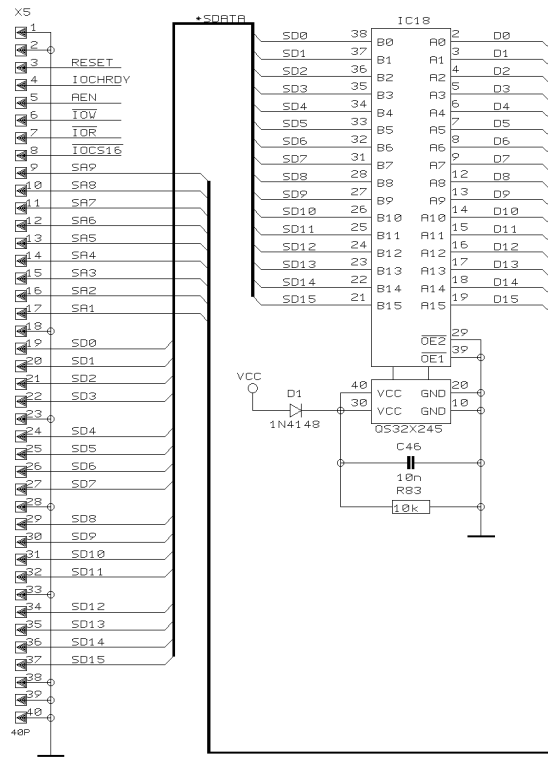
DG -17V | 5V | 5V | 5V

0,3 mA
 57 mA

DG | 5V | 17V | 48V
3,3V	AG	-17V	

30 mA
 450 mA
 420 mA
 1 A
 60 mA

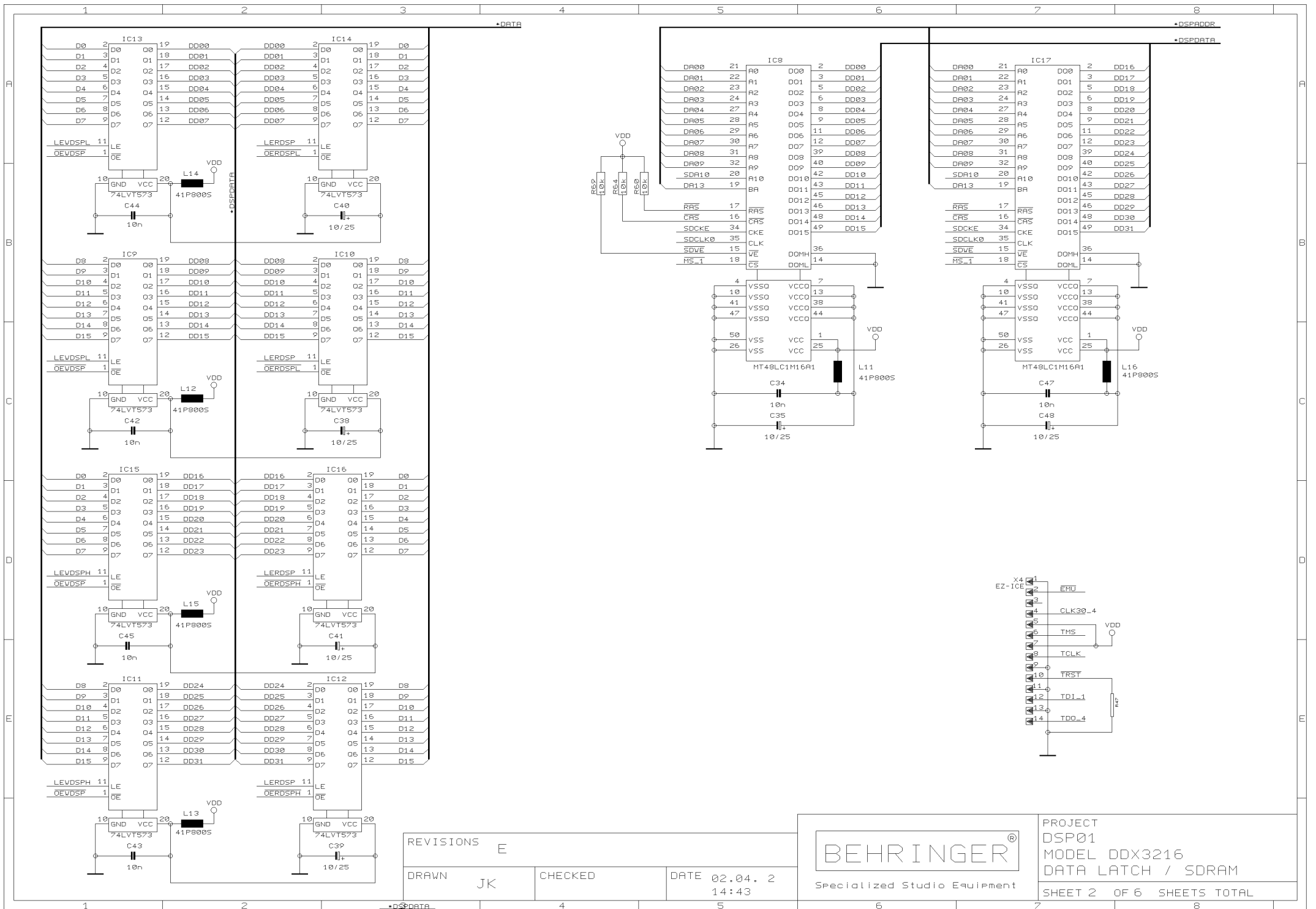
DSP CONN



REVISIONS		E (26.01.2001)	
DRAWN	JK	CHECKED	DATE 02.04. 2 14:42



PROJECT	DSP01
MODEL	DDX3216
GLUE LOGIC	
SHEET 1	OF 6 SHEETS TOTAL



REVISIONS E

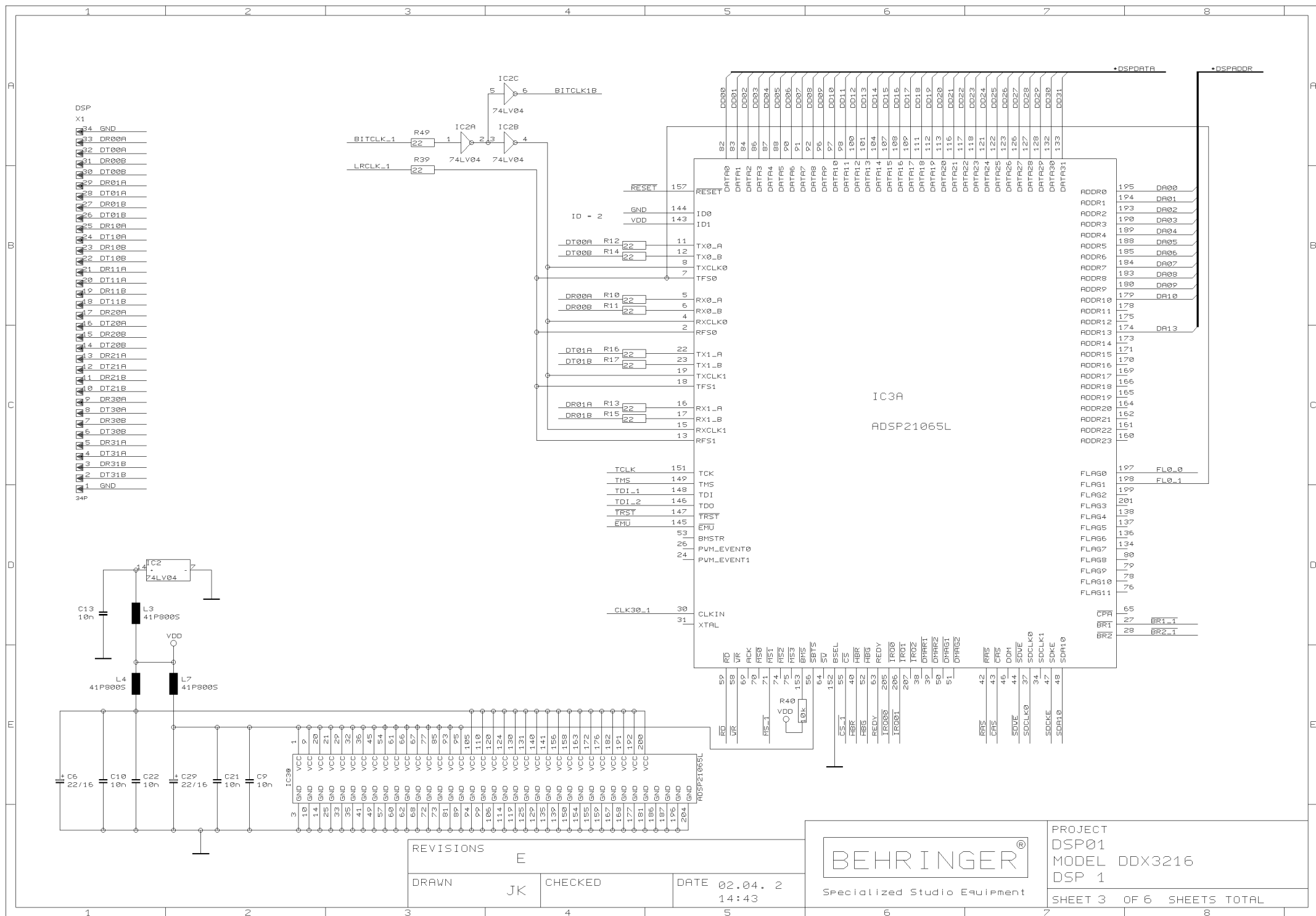
DRAWN JK

CHECKED

DATE 02.04. 2
14:43



PROJECT
DSP01
MODEL DDX3216
DATA LATCH / SDRAM
SHEET 2 OF 6 SHEETS TOTAL



- DSP X1
- 34 GND
 - 33 DR00A
 - 32 DT00A
 - 31 DR00B
 - 30 DT00B
 - 29 DR01A
 - 28 DT01A
 - 27 DR01B
 - 26 DT01B
 - 25 DR10A
 - 24 DT10A
 - 23 DR10B
 - 22 DT10B
 - 21 DR11A
 - 20 DT11A
 - 19 DR11B
 - 18 DT11B
 - 17 DR20A
 - 16 DT20A
 - 15 DR20B
 - 14 DT20B
 - 13 DR21A
 - 12 DT21A
 - 11 DR21B
 - 10 DT21B
 - 9 DR30A
 - 8 DT30A
 - 7 DR30B
 - 6 DT30B
 - 5 DR31A
 - 4 DT31A
 - 3 DR31B
 - 2 DT31B
 - 1 GND
- 34P

- RESET 157
- IO = 2
- GND 144
- VDD 143
- DT00A R12 22 11
- DT00B R14 22 12
- DR00A R10 22 5
- DR00B R11 22 6
- DT01A R16 22 22
- DT01B R17 22 23
- DR01A R13 22 16
- DR01B R15 22 17
- TCLK 151
- TMS 149
- TDI_1 148
- TDI_2 146
- TRST 147
- EMU 145
- BMSTR 53
- PVM_EVENT0 26
- PVM_EVENT1 24
- CLKIN 30
- XTAL 31

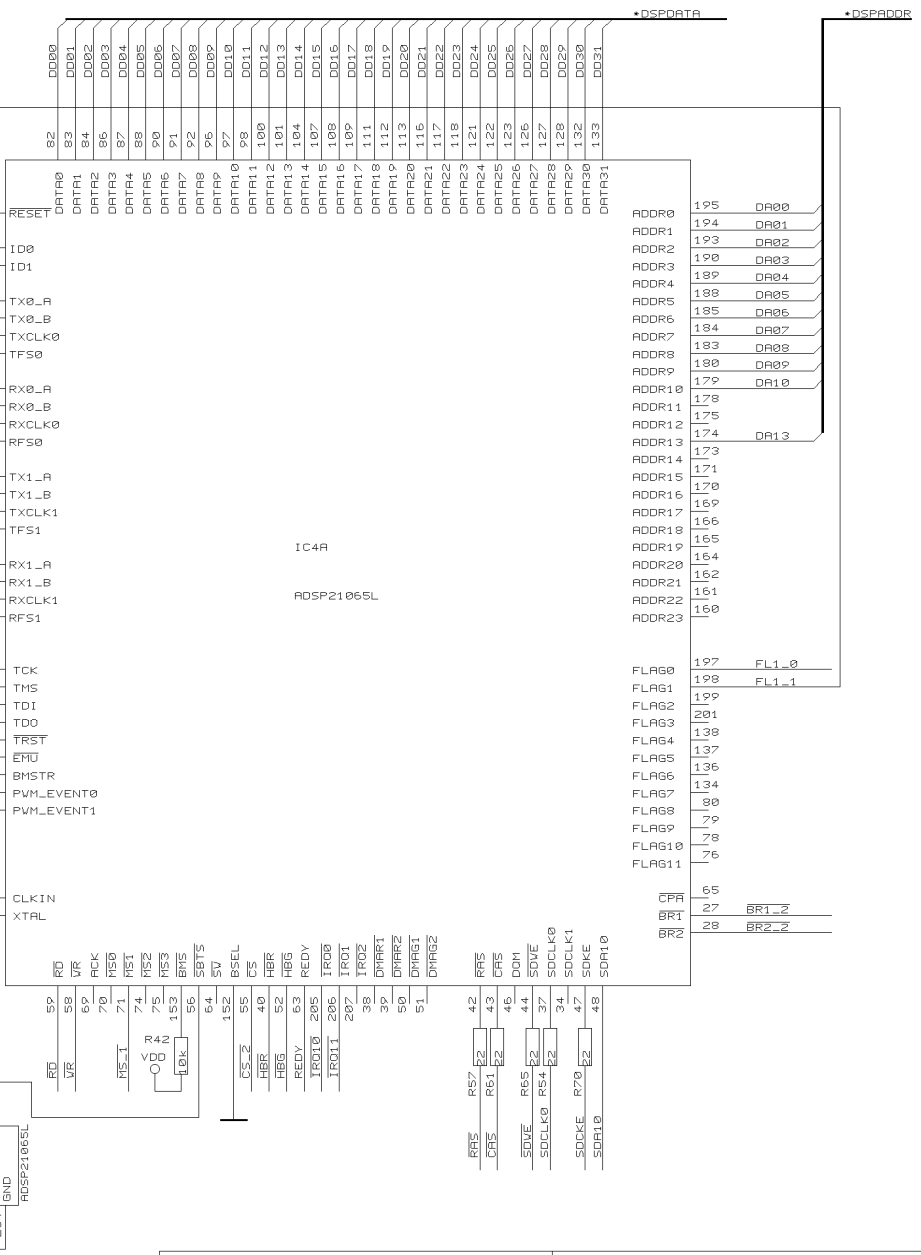
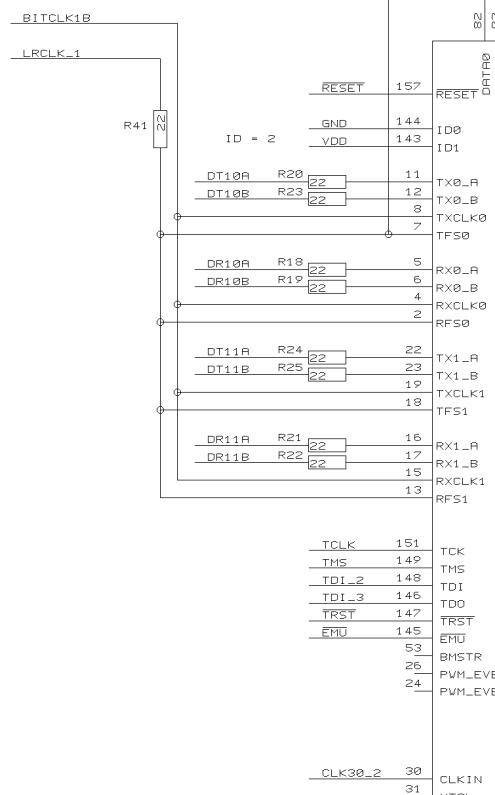
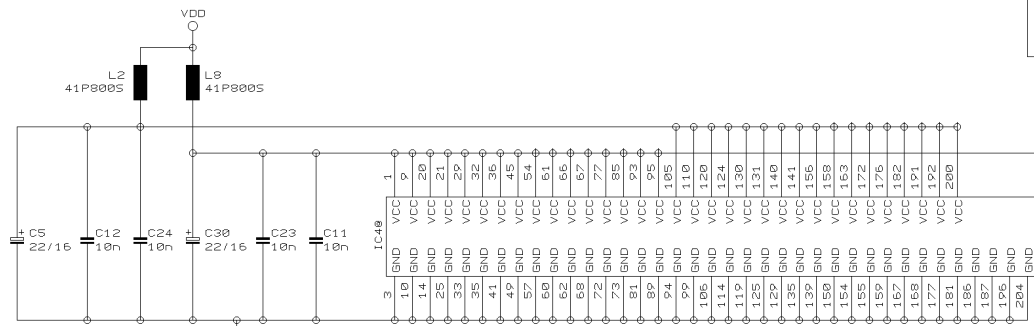
IC3A
ADSP21065L

DATA0	82	ADDR0	195	DA00
DATA1	83	ADDR1	194	DA01
DATA2	84	ADDR2	193	DA02
DATA3	85	ADDR3	190	DA03
DATA4	86	ADDR4	189	DA04
DATA5	87	ADDR5	188	DA05
DATA6	88	ADDR6	185	DA06
DATA7	89	ADDR7	184	DA07
DATA8	90	ADDR8	183	DA08
DATA9	91	ADDR9	180	DA09
DATA10	92	ADDR10	179	DA10
DATA11	93	ADDR11	178	
DATA12	94	ADDR12	174	DA13
DATA13	95	ADDR13	173	
DATA14	96	ADDR14	171	
DATA15	97	ADDR15	170	
DATA16	98	ADDR16	169	
DATA17	99	ADDR17	166	
DATA18	100	ADDR18	165	
DATA19	101	ADDR19	164	
DATA20	102	ADDR20	162	
DATA21	103	ADDR21	161	
DATA22	104	ADDR22	160	
DATA23	105	ADDR23		
DATA24	106	FLAG0	197	FL0_0
DATA25	107	FLAG1	198	FL0_1
DATA26	108	FLAG2	199	
DATA27	109	FLAG3	201	
DATA28	110	FLAG4	138	
DATA29	111	FLAG5	137	
DATA30	112	FLAG6	135	
DATA31	113	FLAG7	134	
		FLAG8	130	
		FLAG9	79	
		FLAG10	78	
		FLAG11	76	
		CPR	65	
		BR1	27	BR1_1
		BR2	28	BR2_1

REVISIONS	E
DRAWN	JK
CHECKED	
DATE	02.04. 2 14:43



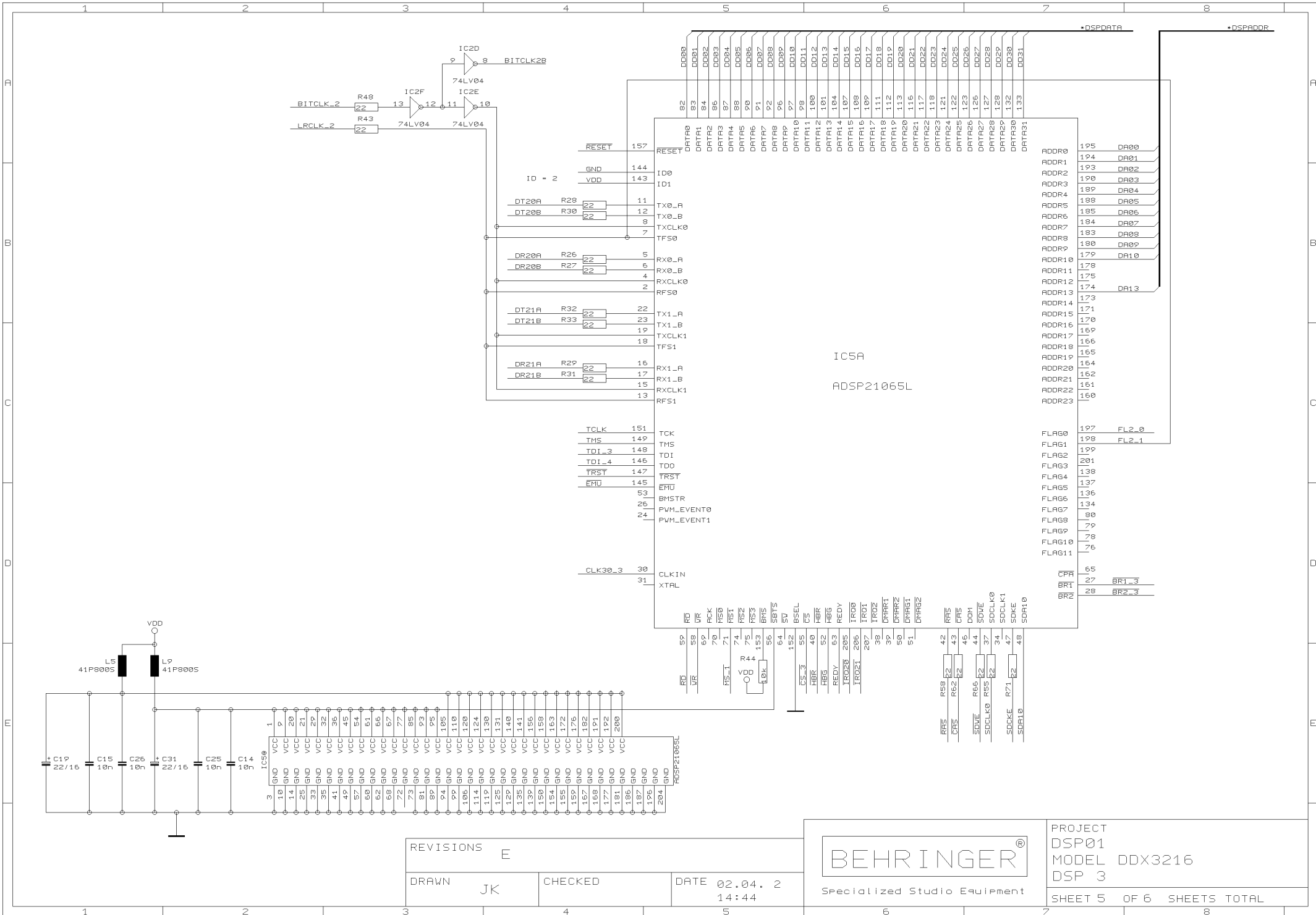
PROJECT DSP01
 MODEL DDX3216
 DSP 1
 SHEET 3 OF 6 SHEETS TOTAL



REVISIONS	E
DRAWN	JK
CHECKED	
DATE	02.04. 2 14:44



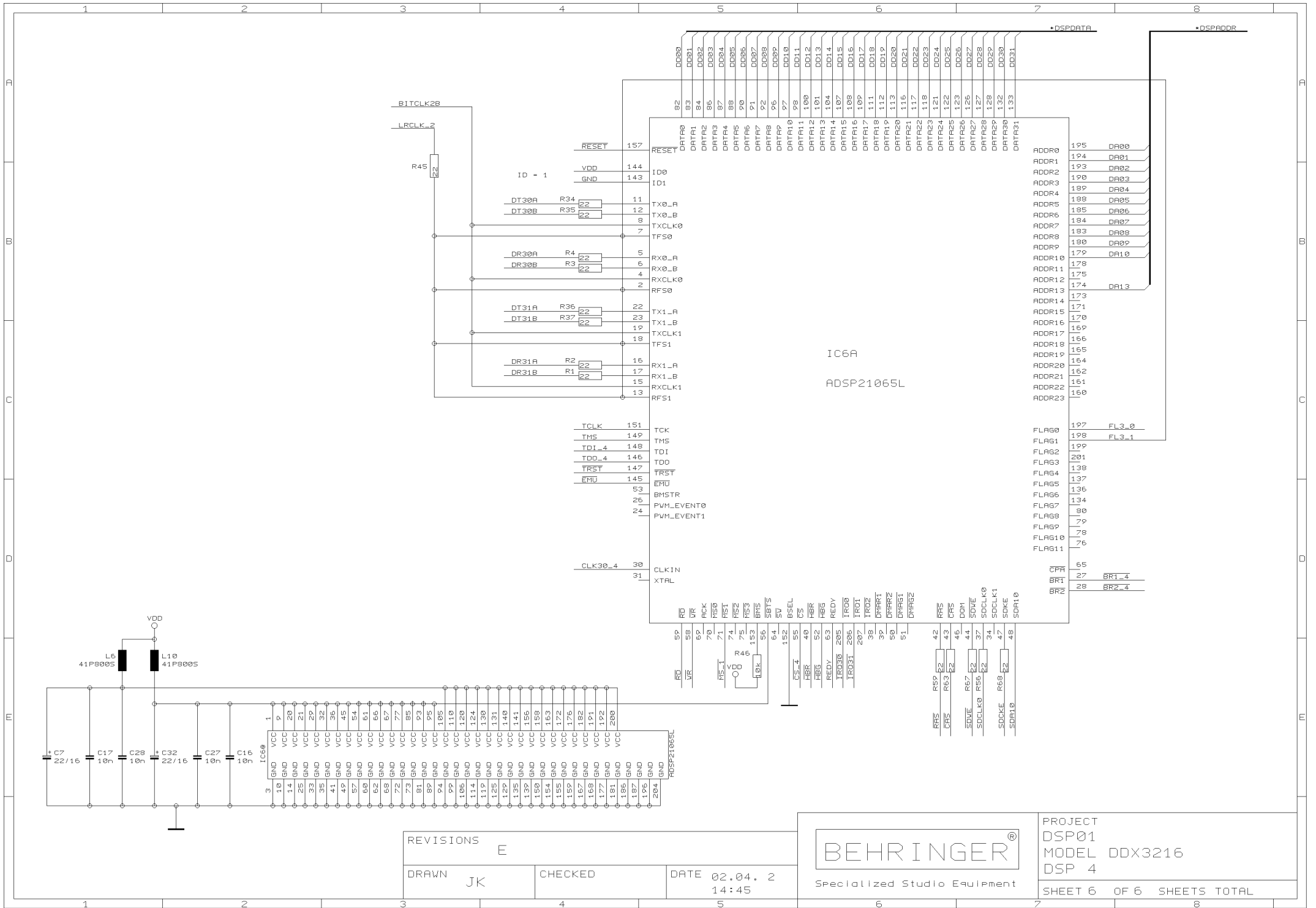
PROJECT	DSP01
MODEL	DDX3216
DSP	2
SHEET 4	OF 6 SHEETS TOTAL



REVISIONS	E
DRAWN	JK
CHECKED	
DATE	02.04. 2 14:44



PROJECT	DSP01
MODEL	DDX3216
DSP	3
SHEET	5 OF 6 SHEETS TOTAL

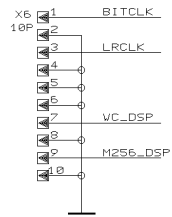


REVISIONS E
 DRAWN JK
 CHECKED
 DATE 02.04. 2
 14:45

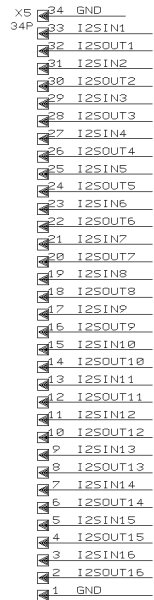


PROJECT DSP01
 MODEL DDX3216
 DSP 4
 SHEET 6 OF 6 SHEETS TOTAL

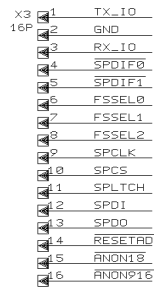
DSP01



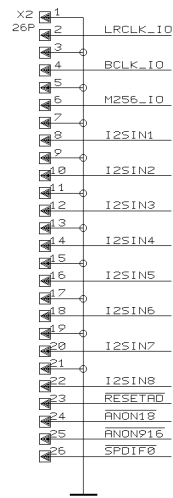
DSP01



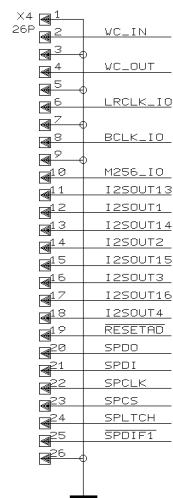
CPU01



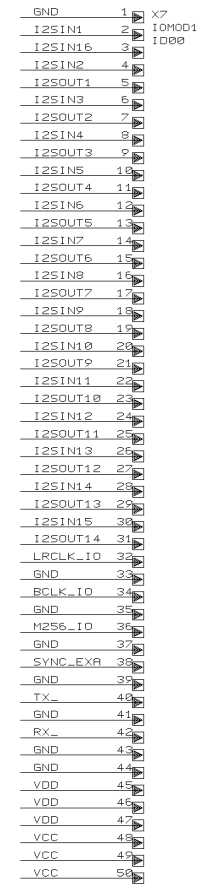
ANAIN02



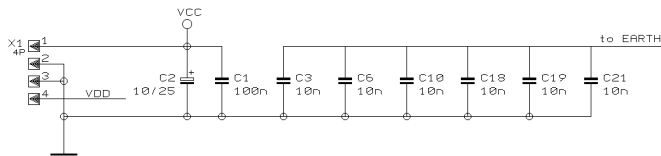
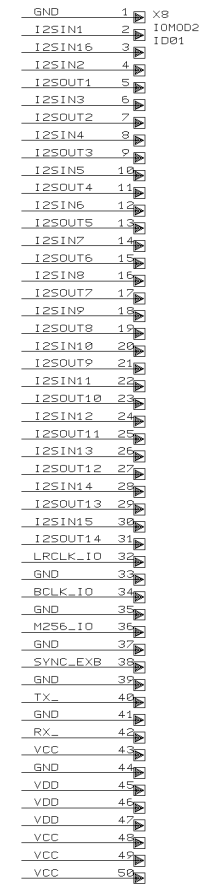
ANAOUT01



IOMODULE 1



IOMODULE 2



REVISIONS

D (17.07.00)

DRAWN

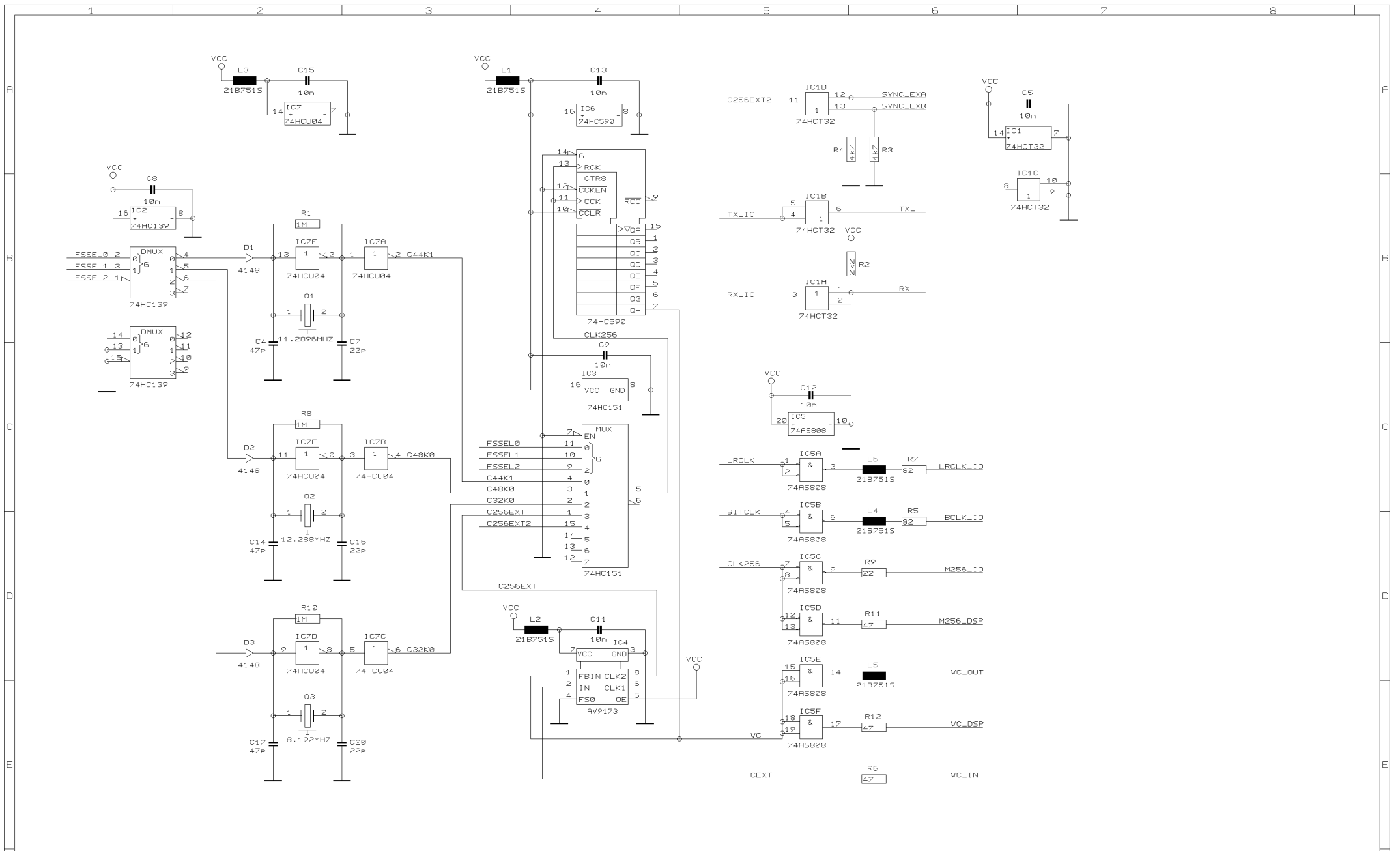
JK

CHECKED

DATE 02.04. 2
14:53



PROJECT
IOCONN01
MODEL DDX3216
I/O CONNECTORS



REVISIONS D (17.07.00)

DRAWN JK CHECKED DATE 02.04.2 14:53



PROJECT IOCONN01
 MODEL DDX3216
 CLOCK GENERATOR & SYNC
 SHEET 2 OF 2 SHEETS TOTAL

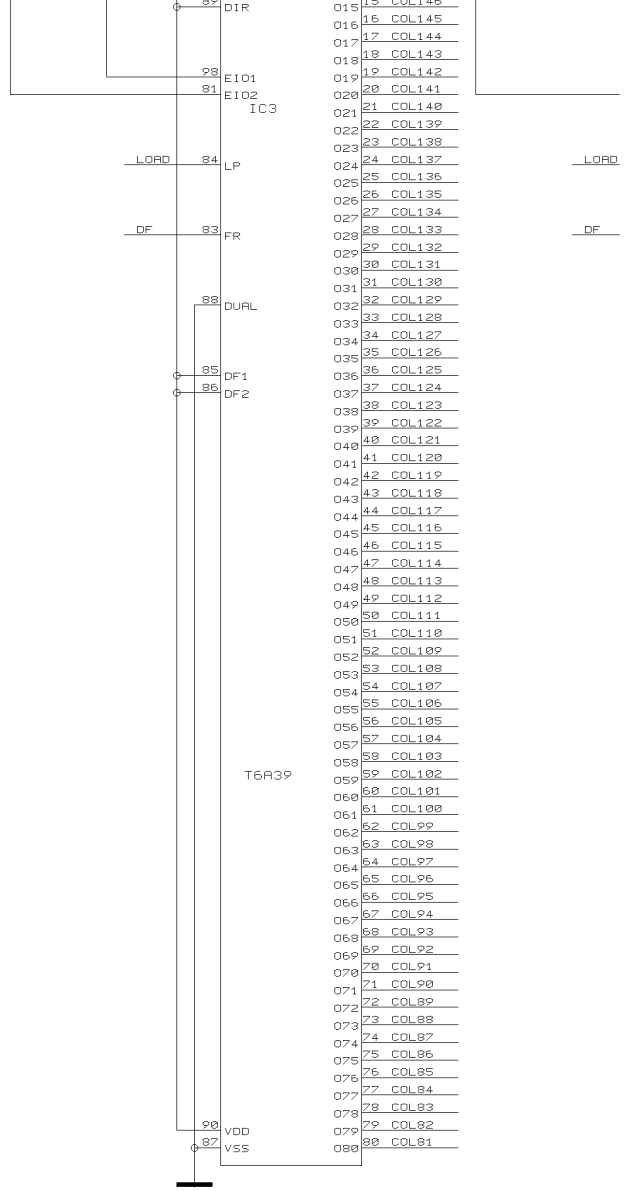
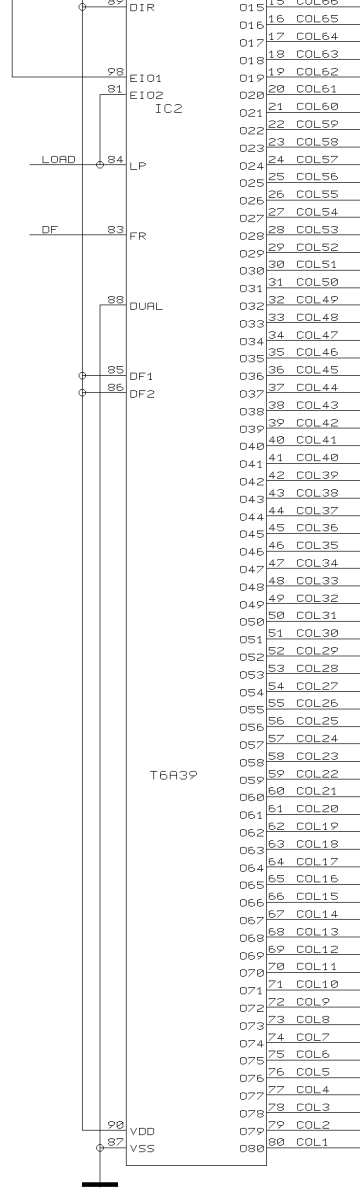
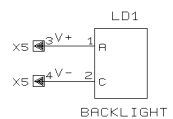
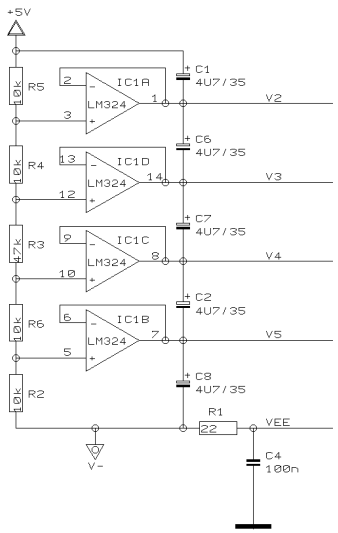
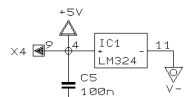
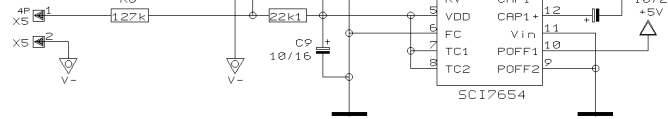
E

D

C

B

A



REVISION		G (120601)	
DRAWN	MD	CHECKED	DATE
			02.04.2 15:01

1	2	3	4	5	6	7	8
---	---	---	---	---	---	---	---

A

B

C

D

E

1

2

3

4

5

6

7

8

X5
X4

X4
X4

X5
X4

ROV1 289
ROV2 290
ROV3 291
ROV4 292
ROV5 293
ROV6 294
ROV7 295
ROV8 296
ROV9 297
ROV10 298
ROV11 299
ROV12 300
ROV13 301
ROV14 302
ROV15 303
ROV16 304
ROV17 1
ROV18 2
ROV19 3
ROV20 4
ROV21 5
ROV22 6
ROV23 7
ROV24 8
ROV25 9
ROV26 10
ROV27 11
ROV28 12
ROV29 13
ROV30 14
ROV31 15
ROV32 16

C240	COL240	C240
C239	COL239	C239
C238	COL238	C238
C237	COL237	C237
C236	COL236	C236
C235	COL235	C235
C234	COL234	C234
C233	COL233	C233
C232	COL232	C232
C231	COL231	C231
C230	COL230	C230
C229	COL229	C229
C228	COL228	C228
C227	COL227	C227
C226	COL226	C226
C225	COL225	C225
C224	COL224	C224
C223	COL223	C223
C222	COL222	C222
C221	COL221	C221
C220	COL220	C220
C219	COL219	C219
C218	COL218	C218
C217	COL217	C217
C216	COL216	C216
C215	COL215	C215
C214	COL214	C214
C213	COL213	C213
C212	COL212	C212
C211	COL211	C211
C210	COL210	C210
C209	COL209	C209
C208	COL208	C208
C207	COL207	C207
C206	COL206	C206
C205	COL205	C205
C204	COL204	C204
C203	COL203	C203
C202	COL202	C202
C201	COL201	C201
C200	COL200	C200
C199	COL199	C199
C198	COL198	C198
C197	COL197	C197
C196	COL196	C196
C195	COL195	C195
C194	COL194	C194
C193	COL193	C193
C192	COL192	C192
C191	COL191	C191
C190	COL190	C190
C189	COL189	C189
C188	COL188	C188
C187	COL187	C187
C186	COL186	C186
C185	COL185	C185
C184	COL184	C184
C183	COL183	C183
C182	COL182	C182
C181	COL181	C181
C180	COL180	C180
C179	COL179	C179
C178	COL178	C178
C177	COL177	C177
C176	COL176	C176
C175	COL175	C175
C174	COL174	C174
C173	COL173	C173
C172	COL172	C172
C171	COL171	C171
C170	COL170	C170
C169	COL169	C169
C168	COL168	C168
C167	COL167	C167
C166	COL166	C166
C165	COL165	C165
C164	COL164	C164
C163	COL163	C163
C162	COL162	C162
C161	COL161	C161
C160	COL160	C160
C159	COL159	C159
C158	COL158	C158
C157	COL157	C157
C156	COL156	C156
C155	COL155	C155
C154	COL154	C154
C153	COL153	C153
C152	COL152	C152
C151	COL151	C151
C150	COL150	C150
C149	COL149	C149
C148	COL148	C148
C147	COL147	C147
C146	COL146	C146
C145	COL145	C145
C144	COL144	C144
C143	COL143	C143
C142	COL142	C142
C141	COL141	C141
C140	COL140	C140
C139	COL139	C139
C138	COL138	C138
C137	COL137	C137
C136	COL136	C136
C135	COL135	C135
C134	COL134	C134
C133	COL133	C133
C132	COL132	C132
C131	COL131	C131
C130	COL130	C130
C129	COL129	C129
C128	COL128	C128
C127	COL127	C127
C126	COL126	C126
C125	COL125	C125
C124	COL124	C124
C123	COL123	C123
C122	COL122	C122
C121	COL121	C121
C120	COL120	C120
C119	COL119	C119
C118	COL118	C118
C117	COL117	C117
C116	COL116	C116
C115	COL115	C115
C114	COL114	C114
C113	COL113	C113
C112	COL112	C112
C111	COL111	C111
C110	COL110	C110
C109	COL109	C109
C108	COL108	C108
C107	COL107	C107
C106	COL106	C106
C105	COL105	C105
C104	COL104	C104
C103	COL103	C103
C102	COL102	C102
C101	COL101	C101
C100	COL100	C100
C99	COL99	C99
C98	COL98	C98
C97	COL97	C97
C96	COL96	C96
C95	COL95	C95
C94	COL94	C94
C93	COL93	C93
C92	COL92	C92
C91	COL91	C91
C90	COL90	C90
C89	COL89	C89
C88	COL88	C88
C87	COL87	C87
C86	COL86	C86
C85	COL85	C85
C84	COL84	C84
C83	COL83	C83
C82	COL82	C82
C81	COL81	C81
C80	COL80	C80
C79	COL79	C79
C78	COL78	C78
C77	COL77	C77
C76	COL76	C76
C75	COL75	C75
C74	COL74	C74
C73	COL73	C73
C72	COL72	C72
C71	COL71	C71
C70	COL70	C70
C69	COL69	C69
C68	COL68	C68
C67	COL67	C67
C66	COL66	C66
C65	COL65	C65
C64	COL64	C64
C63	COL63	C63
C62	COL62	C62
C61	COL61	C61
C60	COL60	C60
C59	COL59	C59
C58	COL58	C58
C57	COL57	C57
C56	COL56	C56
C55	COL55	C55
C54	COL54	C54
C53	COL53	C53
C52	COL52	C52
C51	COL51	C51
C50	COL50	C50
C49	COL49	C49
C48	COL48	C48
C47	COL47	C47
C46	COL46	C46
C45	COL45	C45
C44	COL44	C44
C43	COL43	C43
C42	COL42	C42
C41	COL41	C41
C40	COL40	C40
C39	COL39	C39
C38	COL38	C38
C37	COL37	C37
C36	COL36	C36
C35	COL35	C35
C34	COL34	C34
C33	COL33	C33
C32	COL32	C32
C31	COL31	C31
C30	COL30	C30
C29	COL29	C29
C28	COL28	C28
C27	COL27	C27
C26	COL26	C26
C25	COL25	C25
C24	COL24	C24
C23	COL23	C23
C22	COL22	C22
C21	COL21	C21
C20	COL20	C20
C19	COL19	C19
C18	COL18	C18
C17	COL17	C17
C16	COL16	C16
C15	COL15	C15
C14	COL14	C14
C13	COL13	C13
C12	COL12	C12
C11	COL11	C11
C10	COL10	C10
C9	COL9	C9
C8	COL8	C8
C7	COL7	C7
C6	COL6	C6
C5	COL5	C5
C4	COL4	C4
C3	COL3	C3
C2	COL2	C2
C1	COL1	C1

X1
RE-8115

REVISION		G
DRAWN	MD	CHECKED
DATE		02.04.2 15:01