

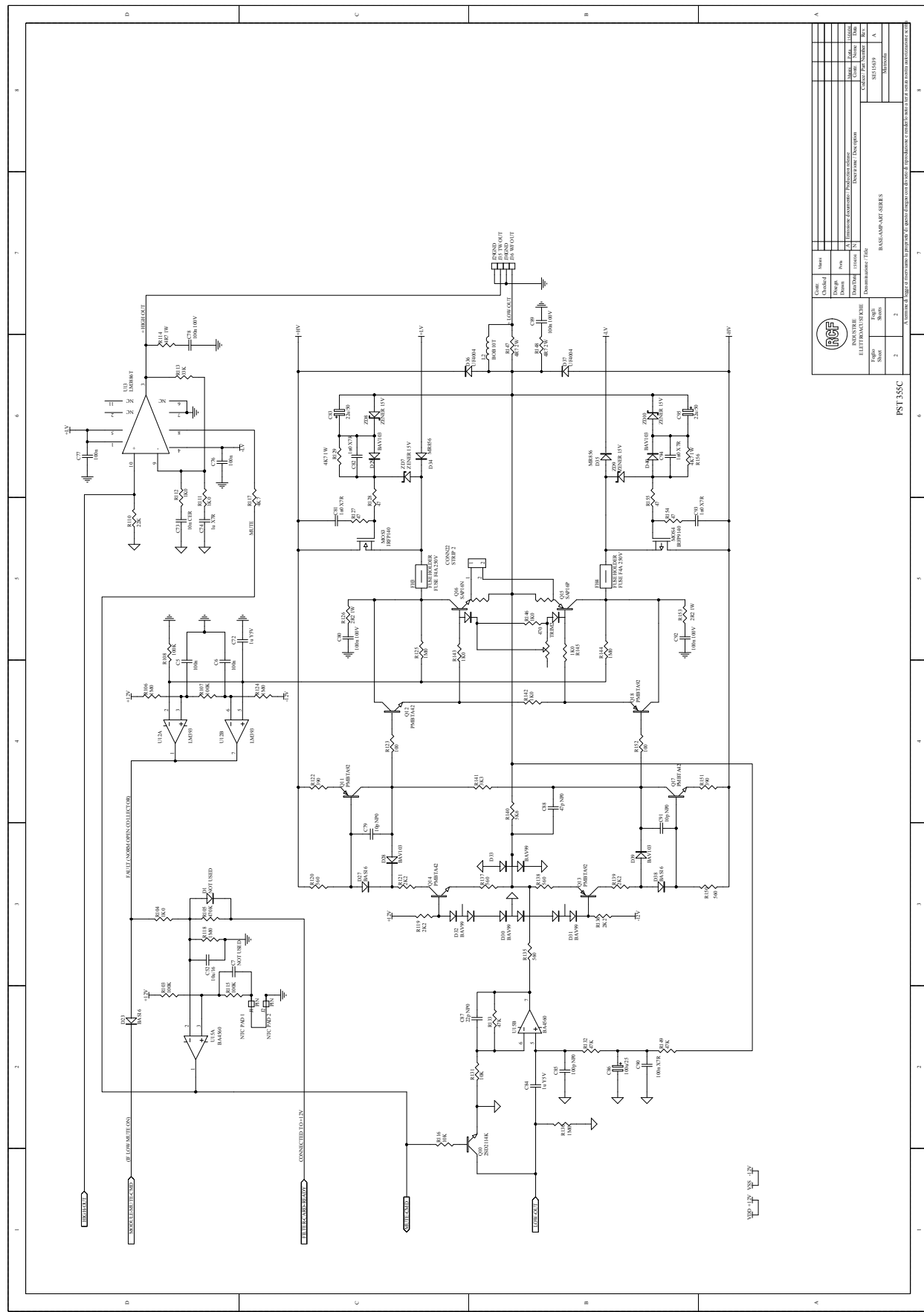
FUNCTION TABLE	
INPUTS	CHANNEL ON
I, XYZ	XYZ, XYZ/OP
L, X	XYZ/OP, Y/O
H, X	XYZ/OP, NONE

DEFAULT XYZ = X1/Y1/Z1

		Count	None	INDEX SERIES PART NUMBER DRAWING NUMBER DATE
		Drawn	N	
INSTITUTE DRAWING NUMBER DATE		Sheet	1	INDEX SERIES DRAWING NUMBER DATE
INSTITUTE DRAWING NUMBER DATE		Sheet	2	INDEX SERIES DRAWING NUMBER DATE

PST 335C

Approved for Release by NSA on 05-08-2014 pursuant to E.O. 13526



		Code: Date: Drawn: Checked: Approved: Project: Part Number: Revision: Scale: Sheet: Total Sheets:
INVENTOR: DESIGNER: DRAWN: CHECKED: APPROVED: DATE:		PART NUMBER: REVISION: SCALE: SHEET: TOTAL SHEETS:
PROJECT: PART: DRAWING: DATE:		
PROJECT NUMBER: PART NUMBER: DRAWING NUMBER: DATE:		
PROJECT TITLE: PART TITLE: DRAWING TITLE: DATE:		
PROJECT NUMBER: PART NUMBER: DRAWING NUMBER: DATE:		
PROJECT TITLE: PART TITLE: DRAWING TITLE: DATE:		
PROJECT NUMBER: PART NUMBER: DRAWING NUMBER: DATE:		
PROJECT TITLE: PART TITLE: DRAWING TITLE: DATE:		
PROJECT NUMBER: PART NUMBER: DRAWING NUMBER: DATE:		
PROJECT TITLE: PART TITLE: DRAWING TITLE: DATE:		

PST 335C

2 2

3 3

4 4

5 5

6 6

7 7

8 8

9 9

10 10

11 11

12 12

13 13

14 14

15 15

16 16

17 17

18 18

19 19

20 20