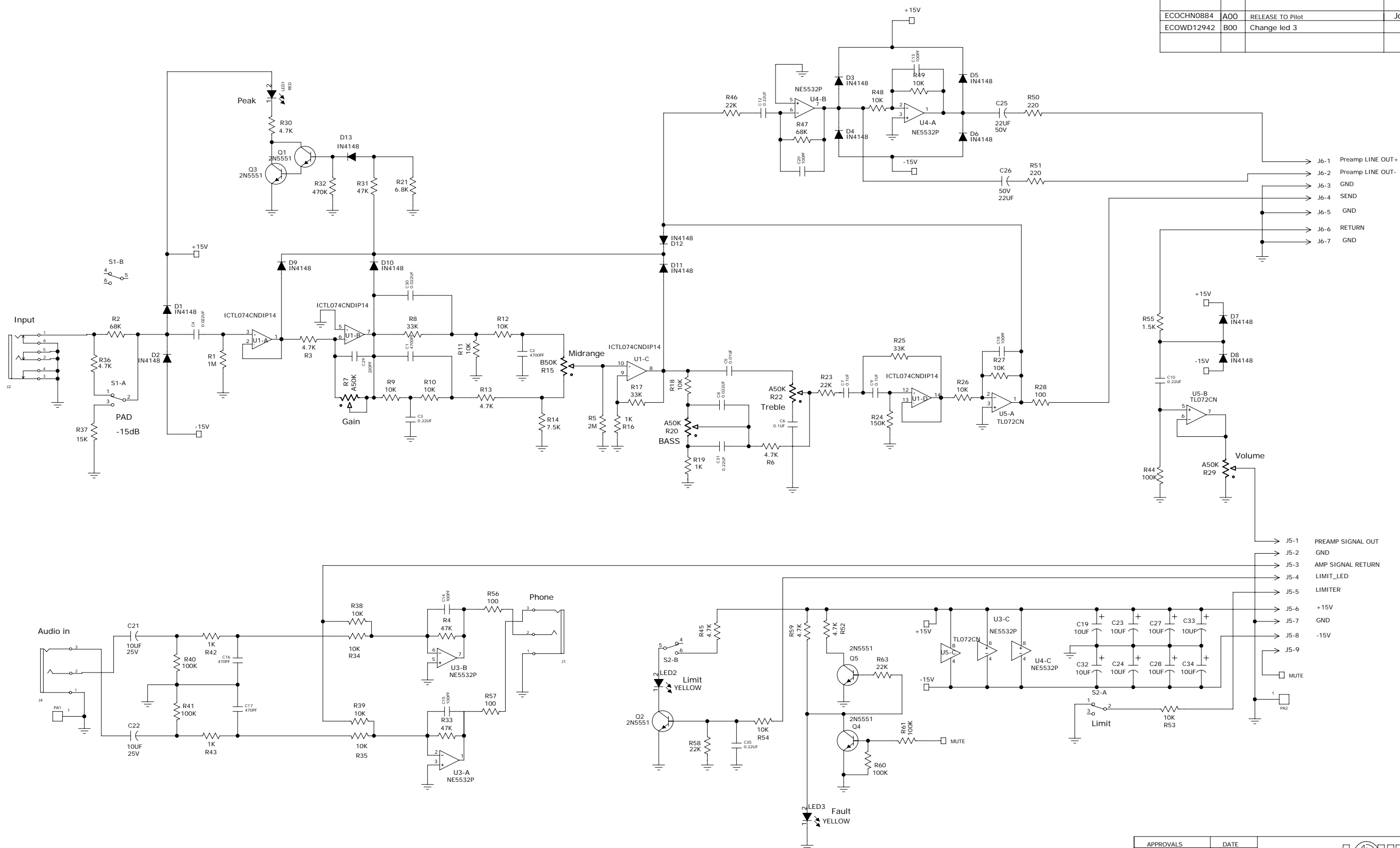


ECO/DSR	REV:	DESCRIPTION	REV. BY:	DATE
ECOCHN0846	100	RELEASE TO PROTOTYPE	John	March.19.2010
ECOCHN0884	A00	RELEASE TO Pilot	John	June 23,2010
ECOWD12942	B00	Change led 3	RJ	6/30/2010



- J6-1 Preamp LINE OUT+
- J6-2 Preamp LINE OUT-
- J6-3 GND
- J6-4 SEND
- J6-5 GND
- J6-6 RETURN
- J6-7 GND

- J5-1 PREAMP SIGNAL OUT
- J5-2 GND
- J5-3 AMP SIGNAL RETURN
- J5-4 LIMIT\_LED
- J5-5 LIMITER
- J5-6 +15V
- J5-7 GND
- J5-8 -15V
- J5-9 MUTE

SCH1 2035216-XX SCHEMATIC PCB ASSY PREAMP PF350  
 PCB1 2035215-01 PCB FAB FR4 DOUBLE 1 OZ 1.6mm Preamp board PF350

© 2010 LOUD TECHNOLOGIES INC.  
 ALL RIGHTS RESERVED  
 THE INFORMATION CONTAINED HEREIN  
 IS PROPRIETARY AND CONFIDENTIAL  
 PROPERTY OF LOUD TECHNOLOGIES INC.

APPROVALS	DATE	LOUD TECHNOLOGIES INC. WOODINVILLE WA. USA			
DRAWN: John	March.19.2010	SCHEMATIC PCB ASSY PREAMP PF350			
CHECKED:					
NP ENG:					
MATERIAL:					
MFG:					
MFG ENG:		SIZE: D	SCALE: NONE	DWG. NO. 2035216-XX	REV. B00
ISSUED:		DWG FILE:		SHEET 1 OF 1	